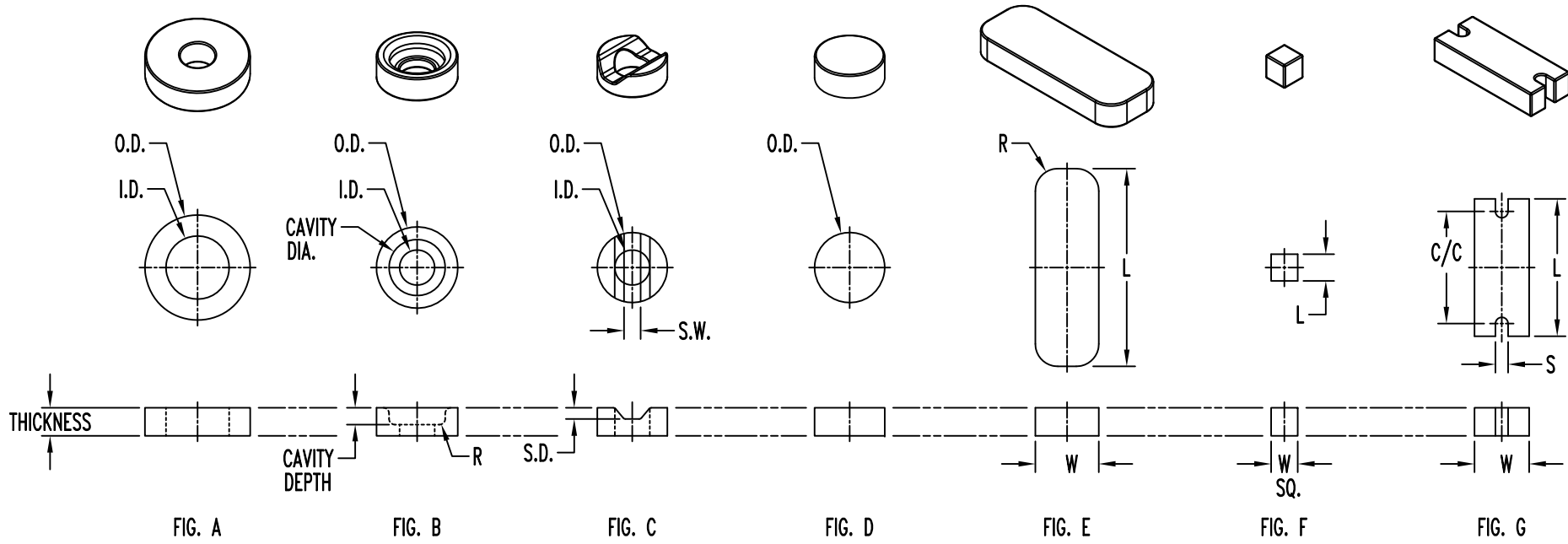


| REV | DESCRIPTION                               | DATE     | APPROVED |
|-----|---|----------|----------|
| A   | ENGINEERING RELEASE.                      | 10/15/03 | MC       |
| B   | Updated TO-21 ID                          | 09/05/06 | MC       |
| C   | Updated Part Thicknesses Offered          | 09/08/10 | TY       |
| D   | Corrected TO-13 O.D. Typo. Should be .310 | 07/03/12 | TY       |



EXAMPLE:

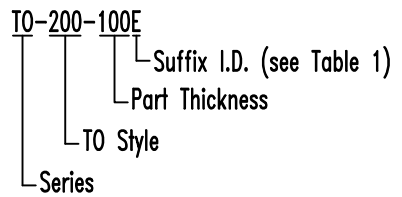


Table 1

| SUFFIX I.D. | I.D. DESCRIPTION  |
|-------------|-------------------|
| NONE        | Wax               |
| E           | Effervescent      |
| CR          | Color Removed     |
| DR          | Detergent Removed |
| H           | Salt              |
| XH          | Extra Hard        |

UNLESS OTHERWISE SPECIFIED:  
DIMENSIONS ARE IN INCHES

**TOLERANCES**

| DECIMALS    | ANGULAR |
|-------------|---------|
| .X ± .1     | X° ± 1° |
| .XX ± .01   |         |
| .XXX ± .005 |         |

**Bivar®**  
4 THOMAS, IRVINE, CA.92618  
TEL: (949) 951-8808 FAX: (949) 951-3974

PART NAME: DISS-O-PADS,  
WASH-AWAY COMPONENTS & GENERAL PURPOSE SPACERS

|                         |                  |              |                    |                       |          |
|-------------------------|------------------|--------------|--------------------|-----------------------|----------|
| DESIGNER<br>DAVID GREEN | DATE<br>10/15/03 | SIZE<br>A    | DWG NAME           | DWG NO.<br>TO-XXX-XXX | REV<br>D |
| CHECKER<br>M CHEN       | DATE<br>10/15/03 | SCALE<br>1=1 | CAGE CODE<br>32559 | SHEET 1 OF 3          |          |

| REV | DESCRIPTION   | DATE | APPROVED |
|-----|---------------|------|----------|
|     | SEE SHEET #1. |      |          |

TO-5

| PART NO. | I.D.         | O.D.          | THICKNESS  | FIG. | TO-5              |
|----------|--------------|---------------|--|------|-------------------|
| TO-5     | .225 (5.7mm) | .375 (9.5mm)  | .030, .040, .050, .060, .070, .085, .090, .100, .120, .130, .150, .170, .200, .230, .300 | A    | Spacer            |
| TO-6     | .250 (6.4mm) | .375 (9.5mm)  | .030, .040, .050, .060, .070, .090, .100, .120, .130, .150, .160, .180, .190             | A    | I.C. Spacer       |
| TO-9     | .300 (7.8mm) | .437 (11.1mm) | .030, .040, .050, .070, .080, .090, .100, .120, .130, .150, .180, .200, .300             | A    | .300 (7.6mm) L.S. |
| TO-13    | .225 (5.7mm) | .310 (7.9mm)  | .030, .040, .050, .060, .070, .080, .090, .100, .120, .130, .150                         | A    | Epoxy Case        |

TO-18

| PART NO. | I.D.         | O.D.         | CAVITY DIA.  | CAVITY DEPTH | THICKNESS  | FIG. | TO-18             |
|----------|--------------|--------------|--------------|--------------|--|------|-------------------|
| TO-12    | .125 (3.2mm) | .310 (7.9mm) | .215 (5.5mm) | .065 (1.7mm) | .080, .090, .100, .120, .130, .180   | B    | .250 (6.4mm) L.S. |
| TO-16    | .125 (3.2mm) | .205 (5.2mm) | -            | -            | .030, .040, .045, .050, .060, .070, .080, .090, .100, .120, .130, .150, .175, .200                         | A    | Epoxy Case        |
| TO-17    | .170 (4.3mm) | .250 (6.4mm) | -            | -            | .030, .035, .040, .050, .060, .070, .090, .100, .120, .130, .140, .150, .170, .180, .200                   | A    | Thin Walls        |
| TO-18    | .125 (3.2mm) | .250 (6.4mm) | -            | -            | .030, .040, .045, .050, .055, .060, .070, .080, .090, .100, .120, .125, .130, .150, .170, .190, .200, .250 | A    | Standard          |
| TO-20    | .125 (3.2mm) | .290 (7.4mm) | .200 (5.1mm) | .065 (1.7mm) | .070, .090, .100, .120, .130, .150   | B    | .200 (5.1mm) L.S. |
| TO-27    | .125 (3.2mm) | .290 (7.4mm) | -            | -            | .030, .040, .050, .060, .070, .090, .100, .120, .130   | A    | Heavy Walls       |

AXIAL

| PART NO. | I.D.         | O.D.          | THICKNESS  | SLOT DEPTH   | SLOT WIDTH   | FIG. |
|----------|--------------|---------------|--|--------------|--------------|------|
| TO-21    | .125 (3.2mm) | .250 (6.4mm)  | .050, .070, .080, .090, .100, .120, .130, .150, .170, .200, .230, .250 | .045 (1.1mm) | .060 (1.5mm) | C    |
| TO-35    | -            | .440 (11.2mm) | .100, .120, .130, .140, .150, .170, .180, .190, .220, .230, .250       | .065 (1.7mm) | .230 (5.8mm) | C    |
| TO-36    | -            | .187 (4.7mm)  | .050, .060, .070, .080, .090, .100, .120, .130, .150                   | .040 (1.0mm) | .080 (2.0mm) | C    |
| TO-37    | -            | .156 (4.0mm)  | .050, .070, .080, .090, .100, .120                                     | .025 (.64mm) | .050 (1.3mm) | C    |

ON-END/CORDWOOD

| PART NO. | I.D.         | O.D.         | CAVITY DIA.  | CAVITY DEPTH | THICKNESS  | FIG. |
|----------|--------------|--------------|--------------|--------------|--|------|
| TO-7     | .075 (1.9mm) | .175 (4.4mm) | -            | -            | .030, .040, .050, .060, .070, .090, .100, .120, .130, .150, .180, .210   | A    |
| TO-8     | .062 (1.6mm) | .156 (4.0mm) | -            | -            | .030, .035, .040, .050, .055, .060, .065, .070, .080, .085, .090, .100, .105, .120, .130, .150, .160, .190, .200, .210 | A    |
| TO-10    | .040 (1.0mm) | .085 (2.2mm) | -            | -            | .025, .030, .040, .050, .060, .065, .070, .080, .090, .100   | A    |
| TO-11    | .045 (1.1mm) | .100 (2.5mm) | -            | -            | .030, .040, .050, .060, .070, .080, .100, .110, .120   | A    |
| TO-26    | .070 (1.8mm) | .187 (4.7mm) | -            | -            | .030, .040, .050, .060, .070, .090, .100, .120, .125, .150   | A    |
| TO-40    | .045 (1.1mm) | .156 (4.0mm) | -            | -            | .030, .040, .050, .060, .070, .080, .090, .100, .120, .130, .150, .160   | A    |
| TO-64    | .045 (1.1mm) | .140 (3.6mm) | -            | -            | .030, .035, .040, .050, .060, .070, .090, .100, .120, .125, .130, .140, .150, .160, .175                               | A    |
| TO-65    | .075 (1.9mm) | .140 (3.6mm) | -            | -            | .030, .040, .045, .050, .060, .070, .080, .090, .100, .120, .125, .130, .150, .175                                     | A    |
| TO-67    | .045 (1.1mm) | .140 (3.6mm) | .090 (2.3mm) | .025 (.64mm) | .050, .055, .060, .070, .090, .100, .120, .130   | B    |
| TO-68    | .045 (1.1mm) | .110 (2.8mm) | .075 (1.9mm) | .025 (.64mm) | .040, .050, .055, .060, .070, .090, .100, .120, .130, .150, .160   | B    |

SOLID

| PART NO. | I.D. | O.D.         | THICKNESS  | FIG. |
|----------|------|--------------|--|------|
| TO-29    | -    | .156 (4.0mm) | .040, .050, .060, .070, .090, .100, .120, .130             | D    |
| TO-31    | -    | .125 (3.2mm) | .040, .050, .060, .070, .090, .100, .120, .130             | D    |
| TO-32    | -    | .187 (4.7mm) | .030, .040, .050, .060, .070, .080, .090, .100, .120, .130 | D    |
| TO-33    | -    | .250 (6.4mm) | .030, .040, .050, .060, .070, .080, .090, .100, .120, .130 | D    |
| TO-34    | -    | .375 (9.5mm) | .040, .050, .060, .070, .090, .100, .120, .130, .250       | D    |

|   |                  |
|---|------------------|
| UNLESS OTHERWISE SPECIFIED:<br>DIMENSIONS ARE IN INCHES |                  |
| TOLERANCES  |                  |
| DECIMALS  | ANGULAR          |
| .X ± .1   | X° ± 1°          |
| .XX ± .01   |                  |
| .XXX ± .005   |                  |
| DESIGNER<br>DAVID GREEN                                 | DATE<br>10/15/03 |
| CHECKER<br>M CHEN                                       | DATE<br>10/15/03 |

**Bivar**<sup>®</sup>

4 THOMAS, IRVINE, CA.92618  
TEL: (949) 951-8808 FAX: (949) 951-3974

PART NAME: DISS-O-PADS,  
WASH-AWAY COMPONENTS & GENERAL PURPOSE SPACERS

|           |                 |                       |          |
|-----------|-----------------|-----------------------|----------|
| SIZE<br>A | DWG NAME        | DWG NO.<br>TO-XXX-XXX | REV<br>D |
| SCALE 1=1 | CAGE CODE 32559 | SHEET 2 OF 3          |          |

| REV | DESCRIPTION   | DATE | APPROVED |
|-----|---------------|------|----------|
|     | SEE SHEET #1. |      |          |
|     |               |      |          |

**GENERAL PURPOSE**

| PART NO. | I.D.         | O.D.          | THICKNESS  | FIG. |
|----------|--------------|---------------|--|------|
| TO-46    | .090 (2.3mm) | .250 (6.4mm)  | .030, .040, .050, .060, .070, .090, .100, .120, .130, .150, .200, .240                   | A    |
| TO-19    | .250 (6.4mm) | .480 (12.2mm) | .030, .040, .050, .060, .070, .090, .100, .120, .130, .150, .190, .200, .230, .250       | A    |
| TO-22    | .225 (5.7mm) | .437 (11.1mm) | .030, .040, .050, .060, .070, .080, .090, .100, .110, .120, .130, .150, .190, .200, .250 | A    |
| TO-23    | .090 (2.3mm) | .310 (7.9mm)  | .030, .040, .050, .055, .060, .070, .090, .100, .120, .130, .150, .180, .190, .200, .250 | A    |
| TO-24    | .090 (2.3mm) | .340 (8.6mm)  | .030, .040, .050, .060, .070, .090, .100, .120, .130, .150                               | A    |
| TO-30    | .275 (7.0mm) | .397 (10.0mm) | .030, .040, .050, .060, .070, .090, .100, .120, .130, .150                               | A    |
| TO-25    | .180 (4.6mm) | .480 (12.2mm) | .030, .040, .050, .060, .070, .090, .100, .120, .130, .150, .250                         | A    |
| TO-28    | .172 (4.4mm) | .343 (8.7mm)  | .030, .040, .050, .060, .070, .090, .100, .120, .130, .180, .190                         | A    |
| TO-41    | .156 (4.0mm) | .360 (9.1mm)  | .030, .040, .050, .060, .070, .090, .100, .120, .130, .140                               | A    |
| TO-42    | .250 (6.4mm) | .438 (11.1mm) | .030, .040, .050, .060, .070, .090, .100, .120, .130                                     | A    |


**RECTANGULAR & SQUARE**

| PART NO. | L             | W            | R             | THICKNESS  | FIG.          |
|----------|---------------|--------------|---------------|--|---------------|
| TO-100   | .670 (17.0mm) | .100 (2.5mm) | .031 (.79mm)  | .030, .035, .040, .045, .050, .060, .065, .070, .075, .080, .090, .100, .120, .130, .150, .200             | E Rectangular |
| TO-101   | .562 (14.3mm) | .185 (4.7mm) | -             | .030, .040, .050, .060, .070, .080, .090, .100, .120, .130, .150, .160, .220                               | E Rectangular |
| TO-102   | .505 (12.8mm) | .160 (4.1mm) | -             | .040, .050, .060, .070, .090, .100, .120, .130, .150   | E Rectangular |
| TO-116   | .666 (16.9mm) | .300 (7.8mm) | .063 (1.6mm)  | .030, .040, .050, .055, .060, .065, .070, .075, .080, .090, .100, .110, .120, .125, .130, .150, .180, .200 | E Rectangular |
| TO-117   | .666 (16.9mm) | .281 (7.1mm) | .100 (2.54mm) | .030, .040, .050, .060, .070, .080, .090, .100, .120, .125, .130, .140, .150, .160                         | E Rectangular |
| TO-118   | .705 (17.9mm) | .260 (6.6mm) | .080 (2.0mm)  | .030, .040, .050, .060, .070, .080, .090, .100, .110, .120, .130, .150, .160, .170, .175, .200             | E Rectangular |
| TO-120   | .085 (2.2mm)  | .085 (2.2mm) | -             | .030, .035, .040, .045, .050, .060, .070, .090, .100, .120   | F Square      |
| TO-121   | .095 (2.4mm)  | .095 (2.4mm) | -             | .030, .035, .040, .045, .050, .060, .070, .075, .085, .090, .095, .100, .120                               | F Square      |

**RADIAL & AXIAL DEVICE**

| PART NO. | C/C           | S            | W            | L             | THICKNESS  | FIG. |
|----------|---------------|--------------|--------------|---------------|--|------|
| TO-200   | .100 (2.5mm)  | .035 (.89mm) | .095 (2.4mm) | .190 (4.8mm)  | .030, .035, .040, .050, .060, .070, .080, .090, .100, .120, .130, .150 | G    |
| TO-201   | .150 (3.8mm)  | .035 (.89mm) | .095 (2.4mm) | .240 (6.1mm)  | .030, .040, .050, .060, .070, .090, .100, .120, .130, .150             | G    |
| TO-203   | .200 (5.1mm)  | .035 (.89mm) | .095 (2.4mm) | .290 (7.4mm)  | .030, .040, .050, .060, .070, .090, .100, .120, .130, .140, .150, .200 | G    |
| TO-204   | .250 (6.4mm)  | .040 (1.0mm) | .145 (3.7mm) | .340 (8.6mm)  | .040, .050, .060, .070, .080, .090, .100, .120, .130, .150             | G    |
| TO-205   | .300 (7.8mm)  | .040 (1.0mm) | .145 (3.7mm) | .390 (9.9mm)  | .040, .050, .060, .070, .090, .100, .120, .130, .150, .215             | G    |
| TO-206   | .400 (10.2mm) | .045 (1.1mm) | .195 (5.0mm) | .490 (12.4mm) | .040, .050, .060, .070, .080, .090, .100, .120, .130, .150, .215       | G    |
| TO-207   | .500 (12.7mm) | .045 (1.1mm) | .195 (5.0mm) | .590 (15.0mm) | .040, .050, .060, .070, .090, .100, .120, .130, .150                   | G    |

|   |                  |
|---|------------------|
| UNLESS OTHERWISE SPECIFIED:<br>DIMENSIONS ARE IN INCHES |                  |
| TOLERANCES  |                  |
| DECIMALS  | ANGULAR          |
| .X ± .1   | X° ± 1°          |
| .XX ± .01   |                  |
| .XXX ± .005   |                  |
| DESIGNER<br>DAVID GREEN                                 | DATE<br>10/15/03 |
| CHECKER<br>M CHEN                                       | DATE<br>10/15/03 |



**4 THOMAS, IRVINE, CA.92618**  
**TEL: (949) 951-8808 FAX: (949) 951-3974**

**PART NAME: DISS-O-PADS,  
WASH-AWAY COMPONENTS & GENERAL PURPOSE SPACERS**

|           |                 |                       |          |
|-----------|-----------------|-----------------------|----------|
| SIZE<br>A | DWG NAME        | DWG NO.<br>TO-XXX-XXX | REV<br>D |
| SCALE 1=1 | CAGE CODE 32559 | SHEET 3 OF 3          |          |

Компания «Океан Электроники» предлагает заключение долгосрочных отношений при поставках импортных электронных компонентов на взаимовыгодных условиях!

Наши преимущества:

- Поставка оригинальных импортных электронных компонентов напрямую с производств Америки, Европы и Азии, а так же с крупнейших складов мира;
- Широкая линейка поставок активных и пассивных импортных электронных компонентов (более 30 млн. наименований);
- Поставка сложных, дефицитных, либо снятых с производства позиций;
- Оперативные сроки поставки под заказ (от 5 рабочих дней);
- Экспресс доставка в любую точку России;
- Помощь Конструкторского Отдела и консультации квалифицированных инженеров;
- Техническая поддержка проекта, помощь в подборе аналогов, поставка прототипов;
- Поставка электронных компонентов под контролем ВП;
- Система менеджмента качества сертифицирована по Международному стандарту ISO 9001;
- При необходимости вся продукция военного и аэрокосмического назначения проходит испытания и сертификацию в лаборатории (по согласованию с заказчиком);
- Поставка специализированных компонентов военного и аэрокосмического уровня качества (Xilinx, Altera, Analog Devices, Intersil, Interpoint, Microsemi, Actel, Aeroflex, Peregrine, VPT, Syfer, Eurofarad, Texas Instruments, MS Kennedy, Miteq, Cobham, E2V, MA-COM, Hittite, Mini-Circuits, General Dynamics и др.);

Компания «Океан Электроники» является официальным дистрибьютором и эксклюзивным представителем в России одного из крупнейших производителей разъемов военного и аэрокосмического назначения «JONHON», а так же официальным дистрибьютором и эксклюзивным представителем в России производителя высокотехнологичных и надежных решений для передачи СВЧ сигналов «FORSTAR».



## JONHON

«JONHON» (основан в 1970 г.)

Разъемы специального, военного и аэрокосмического назначения:

(Применяются в военной, авиационной, аэрокосмической, морской, железнодорожной, горно- и нефтедобывающей отраслях промышленности)

«FORSTAR» (основан в 1998 г.)

ВЧ соединители, коаксиальные кабели,  
кабельные сборки и микроволновые компоненты:

(Применяются в телекоммуникациях гражданского и специального назначения, в средствах связи, РЛС, а так же военной, авиационной и аэрокосмической отраслях промышленности).



Телефон: 8 (812) 309-75-97 (многоканальный)

Факс: 8 (812) 320-03-32

Электронная почта: [ocean@oceanchips.ru](mailto:ocean@oceanchips.ru)

Web: <http://oceanchips.ru/>

Адрес: 198099, г. Санкт-Петербург, ул. Калинина, д. 2, корп. 4, лит. А