

Comparator series

Automotive Ground Sense Comparators

BA2903Yxxx-C, BA2901Yxx-C

● **General Description**

BA2903Yxxx-C/BA2901Yxx-C, integrate two or four independent high gain voltage comparator.
Some features are the wide operating voltage that is 2V to 36V and low supply current. BA2903Yxxx-C, BA2901Yxx-C are manufactured for automotive requirements of engine control unit, electric power steering, antilock brake system, etc.

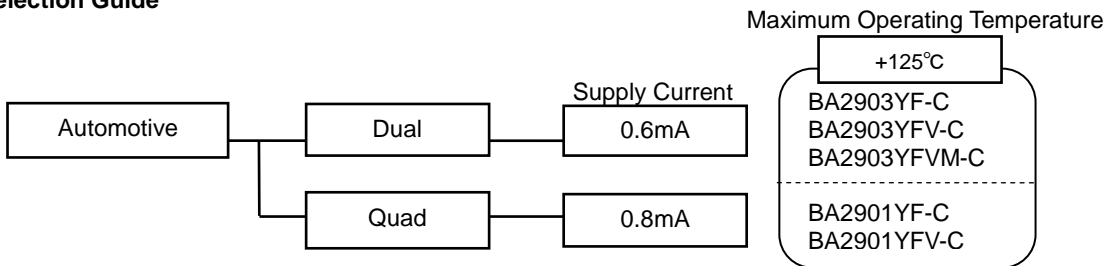
● **Features**

- AEC-Q100 Qualified (Note 1)
- Single or dual supply operation
- Wide operating supply voltage
- Standard comparator Pin-assignments
- Common-mode Input Voltage Range includes ground level, allowing direct ground sensing
- Internal ESD protection circuit
- Wide temperature range (Note1: Grade1)

● **Application**

- Engine Control Unit
- Electric Power Steering (EPS)
- Anti-Lock Brake System (ABS)
- Automotive electronics

● **Selection Guide**



● **Simplified schematic**

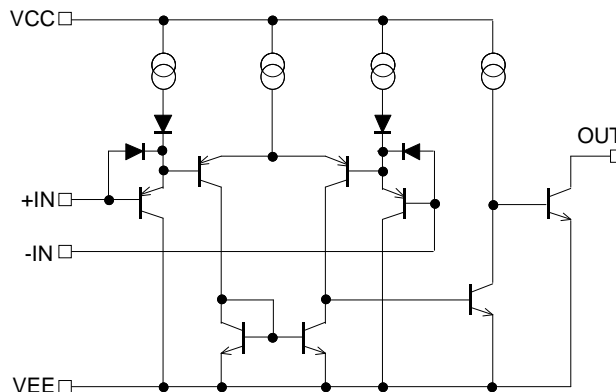


Figure 1. Simplified schematic (one channel only)

● **Key Specifications**

- Operating supply voltage
 - single supply : +2.0V to +36V
 - split supply : ±1.0V to ±18V
- Supply current

BA2903Yxxx-C	0.6mA(Typ.)
BA2901Yxx-C	0.8mA(Typ.)
- Input bias current : 50nA(Typ.)
- Input offset current : 5nA(Typ.)
- Operating temperature range : -40°C to +125°C

● **Special Characteristics**

- Input Offset Voltage -40°C to 125°C: 5mV (Max.)

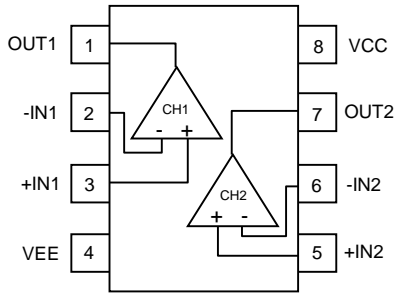
● **Packages**

Package	W(Typ.) x D(Typ.) x H(Max.)
SOP8	5.00mm x 6.20mm x 1.71mm
SOP14	8.70mm x 6.20mm x 1.71mm
SSOP-B8	3.00mm x 6.40mm x 1.35mm
SSOP-B14	5.00mm x 6.40mm x 1.35mm
MSOP8	2.90mm x 4.00mm x 0.90mm

○Product structure : Silicon monolithic integrated circuit ○This product has not designed protection against radioactive rays.

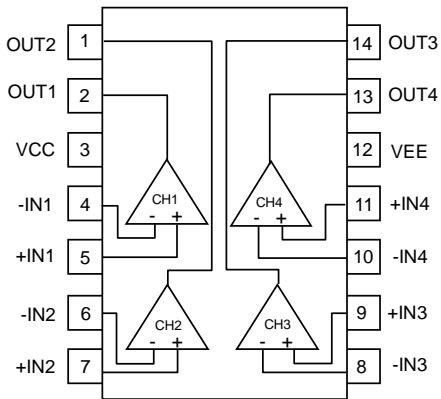
● Pin Configuration

BA2903YF-C : SOP8
 BA2903YFV-C : SSOP-B8
 BA2903YFVM-C : MSOP8



Pin No.	Pin name
1	OUT1
2	-IN1
3	+IN1
4	VEE
5	+IN2
6	-IN2
7	OUT2
8	VCC

BA2901YF-C : SOP14
 BA2901YFV-C : SSOP-B14



Pin No.	Pin name
1	OUT2
2	OUT1
3	VCC
4	-IN1
5	+IN1
6	-IN2
7	+IN2
8	-IN3
9	+IN3
10	-IN4
11	+IN4
12	VEE
13	OUT4
14	OUT3

Package				
SOP8	SSOP-B8	MSOP8	SOP14	SSOP-B14
BA2903YF-C	BA2903YFV-C	BA2903YFVM-C	BA2901YF-C	BA2901YFV-C

●Ordering Information



Part Number
BA2903Yxxx
BA2901Yxx

Package
F : SOP8
SOP14
FV : SSOP-B8
SSOP-B14
FVM : MSOP8

Packaging and forming specification
C: for Automotive
E2: Embossed tape and reel
(SOP8/SOP14/SSOP-B8/
SSOP-B14)
TR: Embossed tape and reel
(MSOP8)

●Line-up

Topr	Operating Supply Voltage	Dual/Quad	Package		Orderable Part Number
-40°C to +125°C	+2.0V to +36V	Dual	SOP8	Reel of 2500	BA2903YF-CE2
			SSOP-B8	Reel of 2500	BA2903YFV-CE2
			MSOP8	Reel of 3000	BA2903YFVM-CTR
		Quad	SOP14	Reel of 2500	BA2901YF-CE2
			SSOP-B14	Reel of 2500	BA2901YFV-CE2

●Absolute Maximum Ratings (Ta=25°C)

Parameter	Symbol	Ratings	Unit	
Supply Voltage	VCC-VEE	+36	V	
Power Dissipation	Pd	SOP8	770 ^{*1*6}	mW
		SSOP-B8	620 ^{*2*6}	
		MSOP8	580 ^{*3*6}	
		SOP14	560 ^{*4*6}	
		SSOP-B14	870 ^{*5*6}	
Differential Input Voltage ^{*7}	Vid	+36	V	
Input Common-mode Voltage Range	Vicm	(VEE-0.3) to (VEE+36)	V	
Input Current ^{*8}	Ii	-10	mA	
Operating Supply Voltage	Vopr	+2.0 to +36 (±1.0 to ±18)	V	
Operating Temperature Range	Topr	-40 to +125	°C	
Storage Temperature Range	Tstg	-55 to +150	°C	
Maximum junction Temperature	Tjmax	+150	°C	

Note : Absolute maximum rating item indicates the condition which must not be exceeded.

Application if voltage in excess of absolute maximum rating or use out of absolute maximum rated temperature environment may cause deterioration of characteristics.

*1 To use at temperature above Ta=25°C reduce 6.2mW/°C.

*2 To use at temperature above Ta=25°C reduce 5.0mW/°C.

*3 To use at temperature above Ta=25°C reduce 4.7mW/°C.

*4 To use at temperature above Ta=25°C reduce 4.5mW/°C.

*5 To use at temperature above Ta=25°C reduce 7.0mW/°C.

*6 Mounted on a FR4 glass epoxy PCB(70mm×70mm×1.6mm).

*7 The voltage difference between inverting input and non-inverting input is the differential input voltage. Then input pin voltage is set to more than VEE.

*8 An excessive input current will flow when input voltages of lesser than VEE-0.6V are applied. The input current can be set to less than the rated current by adding a limiting resistor.

●Electrical Characteristics

OBA2903Yxxx-C (Unless otherwise specified VCC=+5V, VEE=0V)

Parameter	Symbol	Temperature range	Limits			Unit	Conditions
			Min.	Typ.	Max.		
Input Offset Voltage ^{*9}	Vio	25°C	-	2	4	mV	OUT=1.4V
		Full range	-	-	5		VCC=5 to 36V, OUT=1.4V
Input Offset Current ^{*9}	Iio	25°C	-	5	40	nA	OUT=1.4V
		Full range	-	-	50		
Input Bias Current ^{*9}	Ib	25°C	-	50	250	nA	OUT=1.4V
		Full range	-	-	275		
Input Common-mode Voltage Range	Vicm	25°C	0	-	VCC-1.5	V	-
		Full range	0	-	VCC-2.0		
Large Signal Voltage Gain	Av	25°C	88	100	-	dB	VCC=15V, OUT=1.4 to 11.4V
		Full range	74	-	-		RL=15kΩ, VRL=15V
Supply Current	ICC	25°C	-	0.6	1	mA	OUT=open
		Full range	-	-	2.5		OUT=open, VCC=36V
Output Sink Current ^{*10}	Isink	25°C	6	16	-	mA	+IN=0V, -IN=1V, VOL=1.5V
Output Saturation Voltage (Low level output voltage)	VOL	25°C	-	150	400	mV	+IN=0V, -IN=1V,
		Full range	-	-	700		Isink=4mA
Output Leakage Current (High level output current)	Ileak	25°C	-	0.1	-	nA	+IN=1V, -IN=0V, VOH=5V
		Full range	-	-	1	μA	+IN=1V, -IN=0V, VOH=36V
Response Time	Tre	25°C	-	1.3	-	μs	RL=5.1kΩ, VRL=5V
			-	0.4	-		IN=100mV _{P-P} , overdrive=5mV
Operable Frequency	Fopr	25°C	100	-	-	kHz	RL=5.1kΩ, VRL=5V, IN=TTL
			-	-	-		Logic Swing, VREF=1.4V
Operable Frequency	Fopr	25°C	100	-	-	kHz	VCC=5V, RL=2kΩ, +IN=1.5V, -IN=5Vp-p
			-	-	-		(Duty 50% Rectangular Pulse)

^{*9} Absolute value

^{*10} Please determine the output current value in consideration of the power dissipation of the IC under high temperature environment. When the output terminal is continuously shorted, output current may be reduced by the temperature rise of the IC.

OBA2901Yxx-C (Unless otherwise specified VCC=+5V, VEE=0V)

Parameter	Symbol	Temperature range	Limits			Unit	Conditions
			Min.	Typ.	Max.		
Input Offset Voltage ^{*11}	Vio	25°C	-	2	4	mV	OUT=1.4V
		Full range	-	-	5		VCC=5 to 36V, OUT=1.4V
Input Offset Current ^{*11}	Iio	25°C	-	5	40	nA	OUT=1.4V
		Full range	-	-	50		
Input Bias Current ^{*11}	Ib	25°C	-	50	250	nA	OUT=1.4V
		Full range	-	-	275		
Input Common-mode Voltage Range	Vicm	25°C	0	-	VCC-1.5	V	-
		Full range	0	-	VCC-2.0		
Large Signal Voltage Gain	Av	25°C	88	100	-	dB	VCC=15V, OUT=1.4 to 11.4V
		Full range	74	-	-		RL=15kΩ, VRL=15V
Supply Current	ICC	25°C	-	0.8	2	mA	OUT=open
		Full range	-	-	2.5		OUT=open, VCC=36V
Output Sink Current ^{*12}	Isink	25°C	6	16	-	mA	+IN=0V, -IN=1V, VOL=1.5V
Output Saturation Voltage (Low level output voltage)	VOL	25°C	-	150	400	mV	+IN=0V, -IN=1V,
		Full range	-	-	700		Isink=4mA
Output Leakage Current (High level output current)	Ileak	25°C	-	0.1	-	nA	+IN=1V, -IN=0V, VOH=5V
		Full range	-	-	1	μA	+IN=1V, -IN=0V, VOH=36V
Response Time	Tre	25°C	-	1.3	-	μs	RL=5.1kΩ, VRL=5V
			-	0.4	-		IN=100mV _{P-P} , overdrive=5mV
Operable Frequency	Fopr	25°C	100	-	-	kHz	RL=5.1kΩ, VRL=5V, IN=TTL
			-	-	-		Logic Swing, VREF=1.4V
Operable Frequency	Fopr	25°C	100	-	-	kHz	VCC=5V, RL=2kΩ, +IN=1.5V, -IN=5Vp-p
			-	-	-		(Duty 50% Rectangular Pulse)

^{*11} Absolute value

^{*12} Please determine the output current value in consideration of the power dissipation of the IC under high temperature environment. When the output terminal is continuously shorted, output current may be reduced by the temperature rise of the IC.

Description of Electrical Characteristics

Described below are descriptions of the relevant electrical terms used in this datasheet. Items and symbols used are also shown. Note that item name and symbol and their meaning may differ from those on another manufacturer's document or general document.

1. Absolute maximum ratings

Absolute maximum rating items indicate the condition which must not be exceeded. Application of voltage in excess of absolute maximum rating or use out of absolute maximum rated temperature environment may cause deterioration of characteristics.

1.1 Supply Voltage (VCC-VEE)

Indicates the maximum voltage that can be applied between the positive power supply terminal and negative power supply terminal without deterioration or destruction of characteristics of internal circuit.

1.2 Differential Input Voltage (V_{id})

Indicates the maximum voltage that can be applied between non-inverting and inverting terminals without damaging the IC.

1.3 Input Common-mode Voltage Range (V_{icm})

Indicates the maximum voltage that can be applied to the non-inverting and inverting terminals without deterioration or destruction of electrical characteristics. Input common-mode voltage range of the maximum ratings does not assure normal operation of IC. For normal operation, use the IC within the input common-mode voltage range characteristics.

1.4 Operating and Storage Temperature Ranges (T_{opr}, T_{stg})

The operating temperature range indicates the temperature range within which the IC can operate. The higher the ambient temperature, the lower the power consumption of the IC. The storage temperature range denotes the range of temperatures the IC can be stored under without causing excessive deterioration of the electrical characteristics.

1.5 Power Dissipation (P_d)

Indicates the power that can be consumed by the IC when mounted on a specific board at the ambient temperature 25°C (normal temperature). As for package product, P_d is determined by the temperature that can be permitted by the IC in the package (maximum junction temperature) and the thermal resistance of the package.

2. Electrical characteristics

2.1 Input Offset Voltage (V_{io})

Indicates the voltage difference between non-inverting terminal and inverting terminals. It can be translated into the input voltage difference required for setting the output voltage at 0 V.

2.2 Input Offset Current (I_{io})

Indicates the difference of input bias current between the non-inverting and inverting terminals.

2.3 Input Bias Current (I_b)

Indicates the current that flows into or out of the input terminal. It is defined by the average of input bias currents at the non-inverting and inverting terminals.

2.4 Input Common-mode Voltage Range (V_{icm})

Indicates the input voltage range where IC normally operates.

2.5 Large Signal Voltage Gain (A_v)

Indicates the amplifying rate (gain) of output voltage against the voltage difference between non-inverting terminal and inverting terminal. It is normally the amplifying rate (gain) with reference to DC voltage.

$$A_v = (\text{Output voltage}) / (\text{Differential input voltage})$$

2.6 Supply current (I_{CC})

Indicates the current that flows within the IC under specified no-load conditions.

2.7 Output Sink Current (I_{sink})

Indicates the current flowing into the IC under specific output conditions.

2.8 Output Saturation Voltage (Low level output voltage) (V_{OL})

Indicates the lower limit of output voltage under specific input and output conditions.

2.9 Output Leakage Current(High level output current) (I_{leak})

Indicates the current that flows into the IC under specific input and output conditions.

2.11 Response Time (T_{re})

Indicates the time interval between the application of input and output conditions.

2.10 Operable Frequency (F_{opr})

Indicates minimum frequency that IC moves under specific conditions..

● Typical Performance Curves

OBA2903Yxxx-C

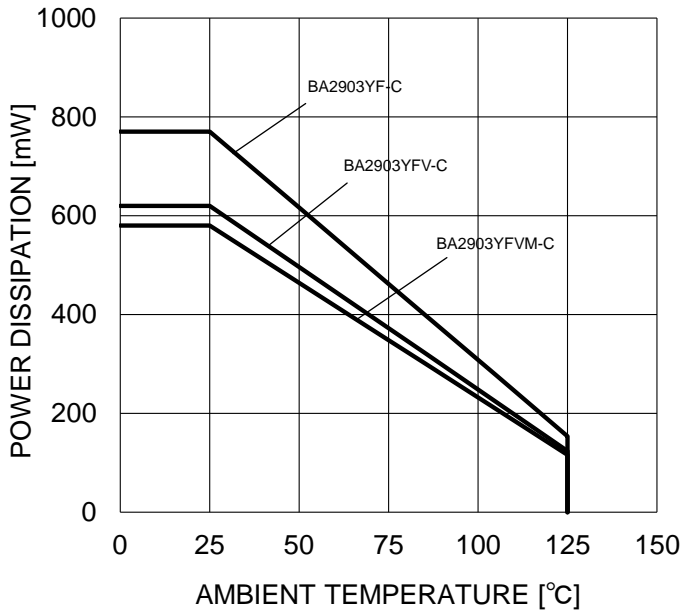


Figure 2.
Derating Curve

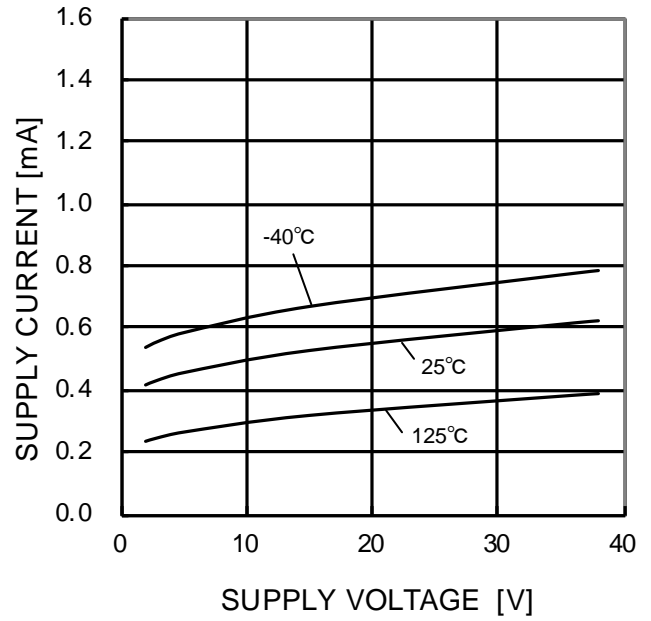


Figure 3.
Supply Current – Supply Voltage

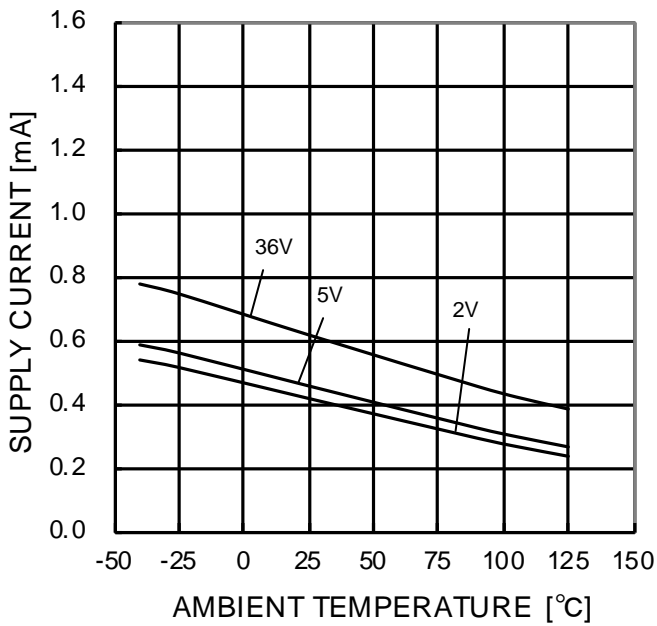


Figure 4.
Supply Current – Ambient Temperature

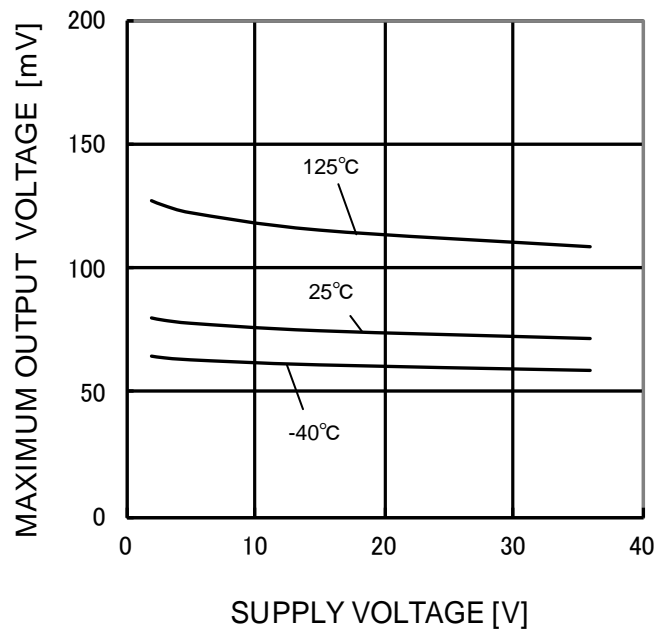


Figure 5.
Maximum Output Voltage – Supply Voltage
($I_{sink}=4mA$)

(*The data above is measurement value of typical sample, it is not guaranteed.

● Typical Performance Curves -Continued

OBA2903Yxxx-C

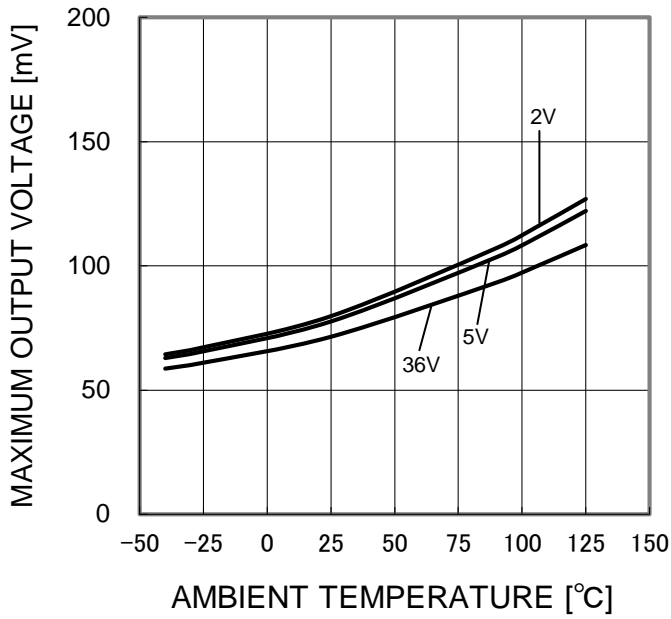


Figure 6.
Maximum Output Voltage – Ambient Temperature
($I_{sink}=4mA$)

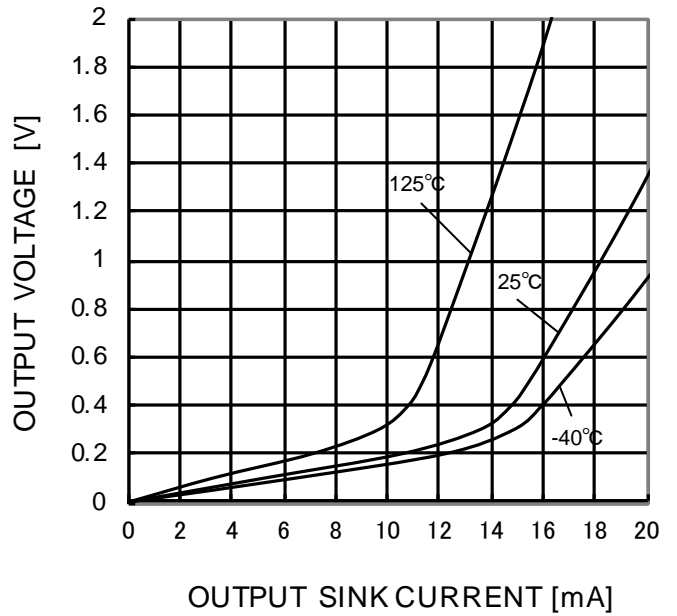


Figure 7.
Output Voltage – Output Sink Current
($V_{CC}=5V$)

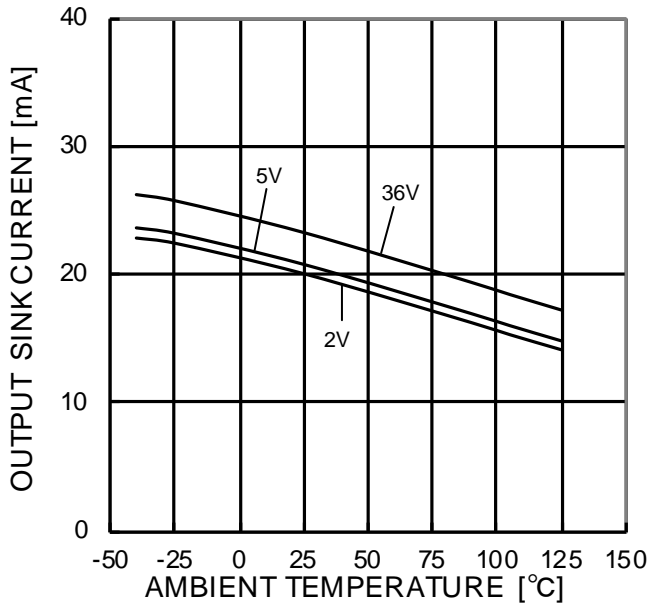


Figure 8.
Output Sink Current – Ambient Temperature
($OUT=1.5V$)

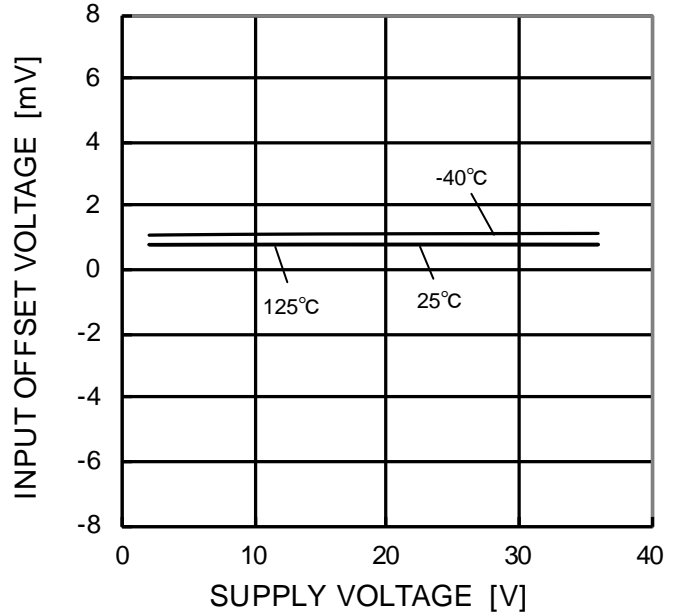


Figure 9.
Input Offset Voltage – Supply Voltage

(*)The data above is measurement value of typical sample, it is not guaranteed.

● Typical Performance Curves -Continued

OBA2903Yxxx-C

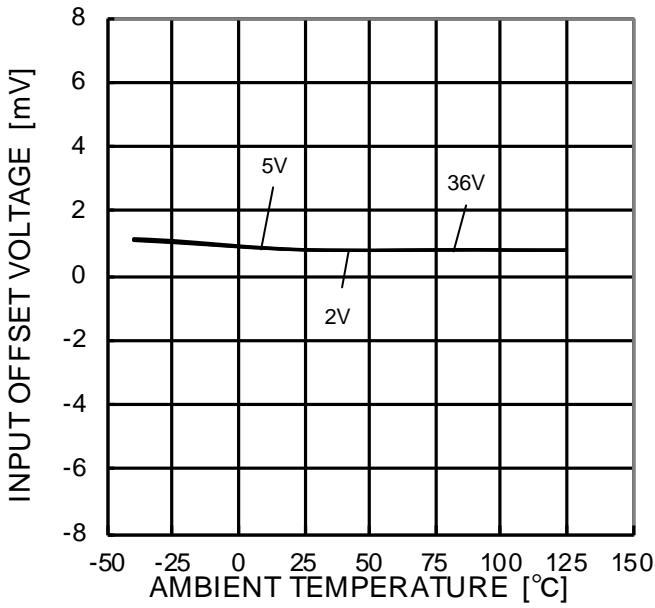


Figure 10.
Input Offset Voltage – Ambient Temperature

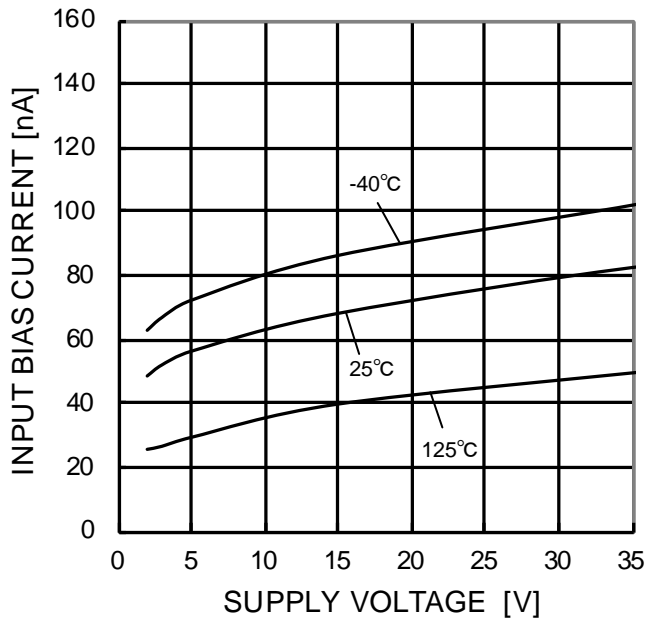


Figure 11.
Input Bias Current – Supply Voltage

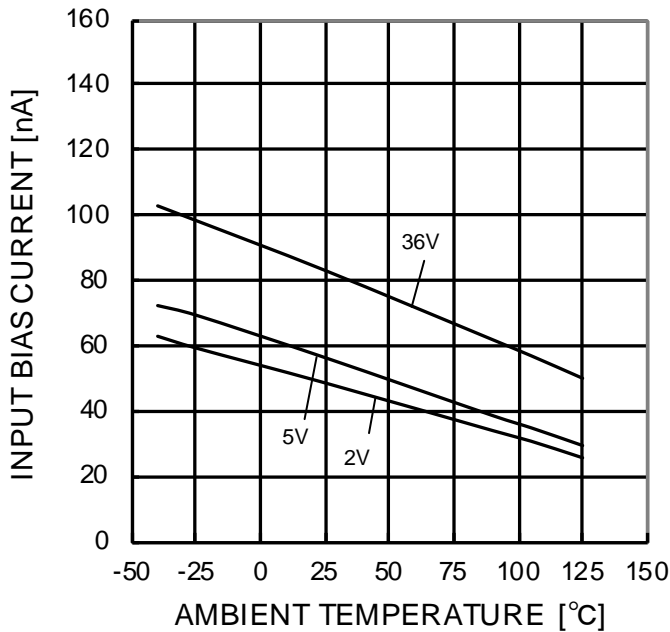


Figure 12.
Input Bias Current – Ambient Temperature

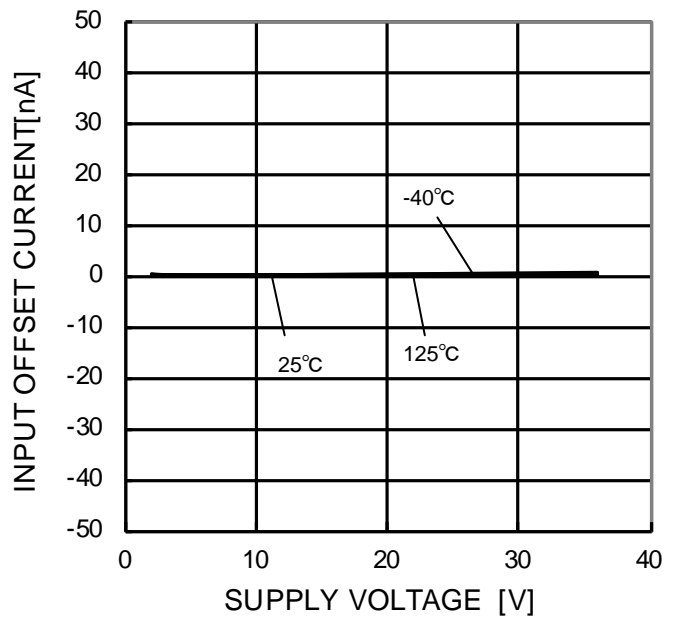


Figure 13.
Input Offset Current – Supply Voltage

(*)The data above is measurement value of typical sample, it is not guaranteed.

● Typical Performance Curves -Continued
OBA2903Yxxx-C

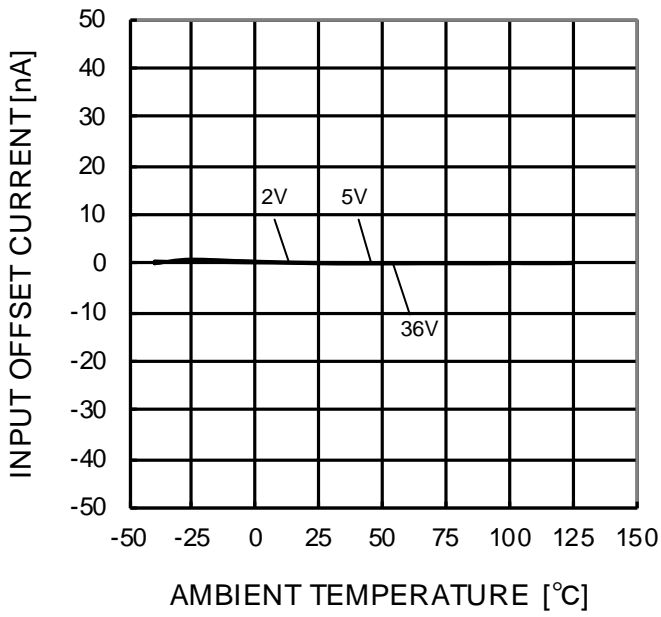


Figure 14.
Input Offset Current
– Ambient Temperature

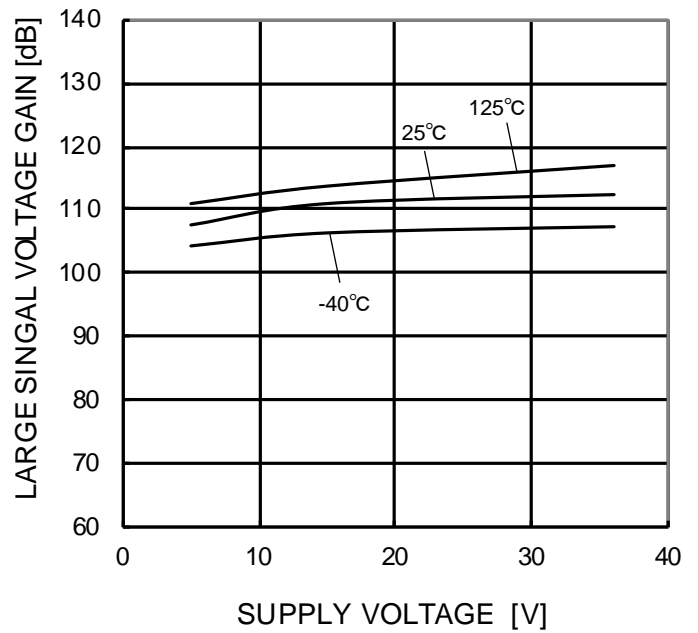


Figure 15.
Large Signal Voltage Gain
– Supply Voltage

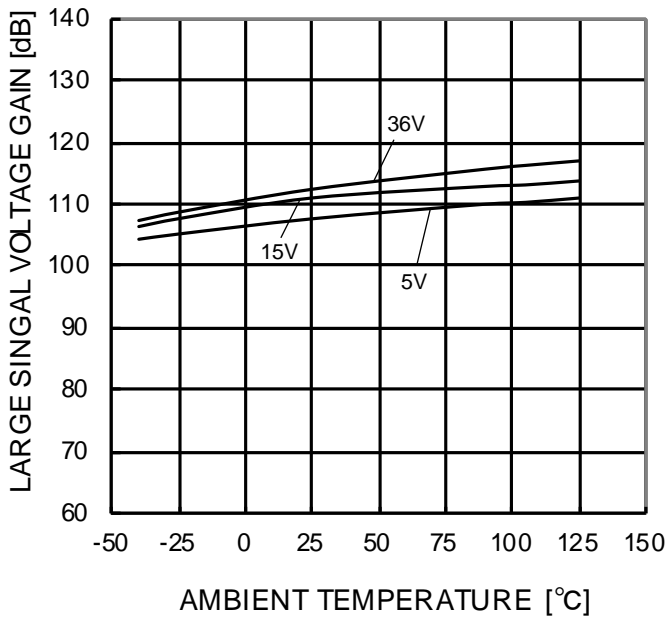


Figure 16.
Large Signal Voltage Gain
– Ambient Temperature

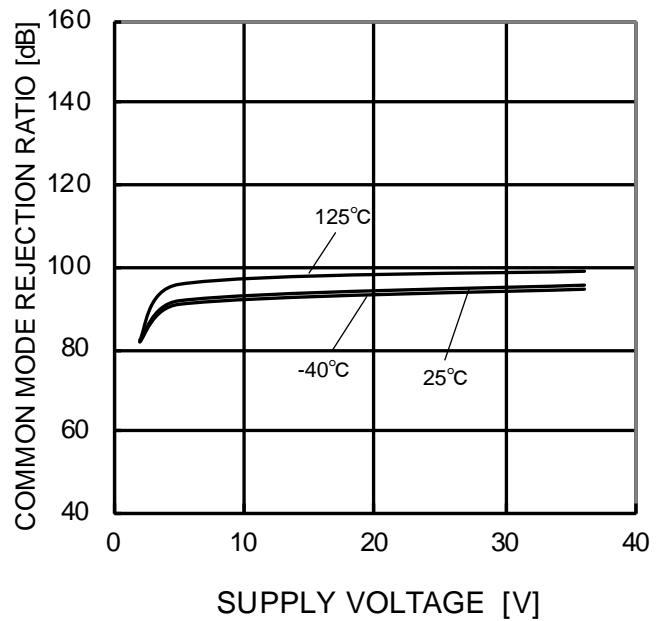


Figure 17.
Common Mode Rejection Ratio
– Supply Voltage

(*)The data above is measurement value of typical sample, it is not guaranteed.

● Typical Performance Curves -Continued

OBA2903Yxxx-C

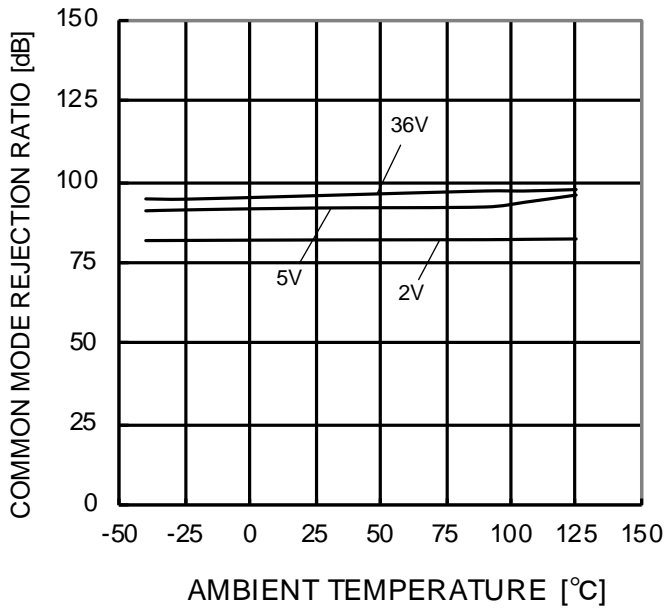


Figure 18.
Common Mode Rejection Ratio
– Ambient Temperature

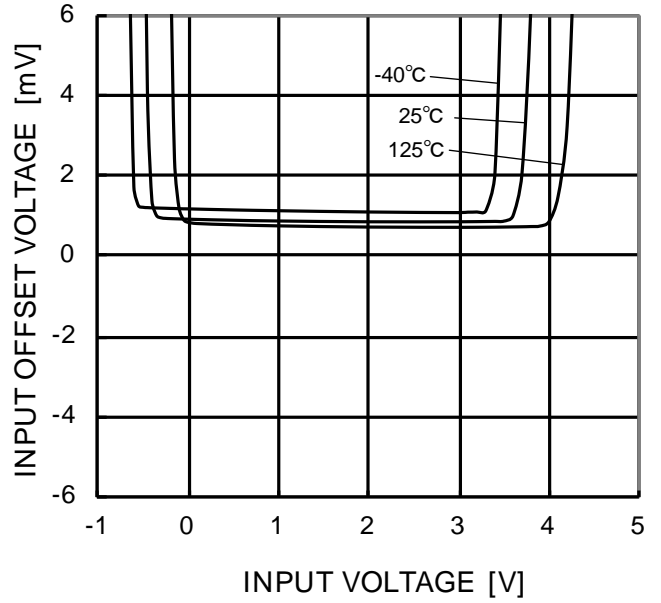


Figure 19.
Input Offset Voltage – Input Voltage
(VCC=5V)

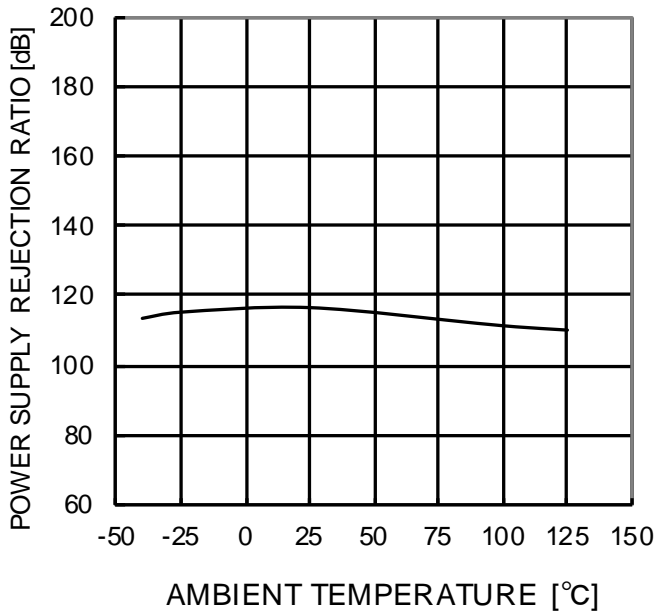


Figure 20.
Power Supply Rejection Ratio
– Ambient Temperature

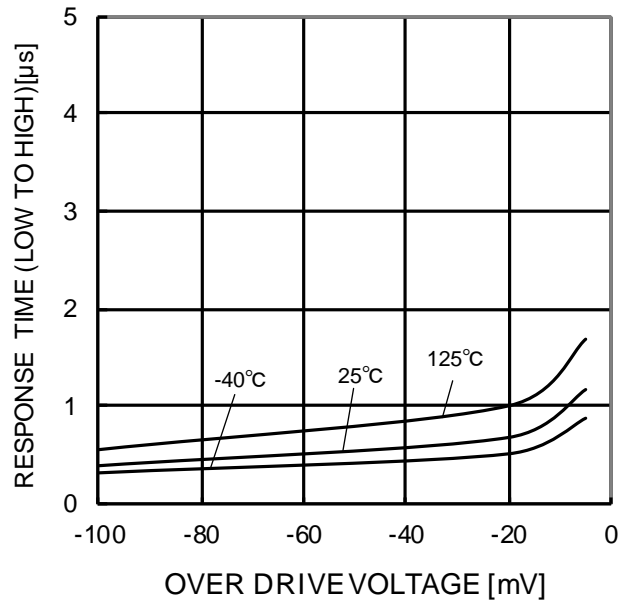


Figure 21.
Response Time (Low to High) – Over Drive Voltage
(VCC=5V, VRL=5V, RL=5.1kΩ)

(*)The data above is measurement value of typical sample, it is not guaranteed.

● Typical Performance Curves -Continued

OBA2903Yxxx-C

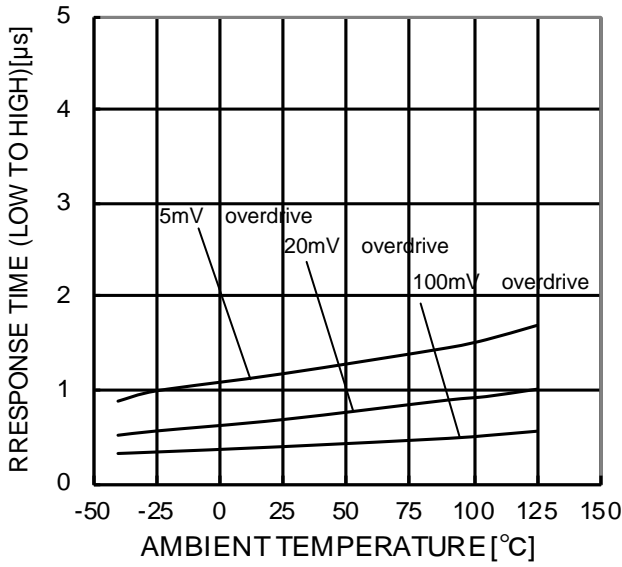


Figure 22.
Response Time (Low to High)
– Ambient Temperature
(VCC=5V, VRL=5V, RL=5.1kΩ)

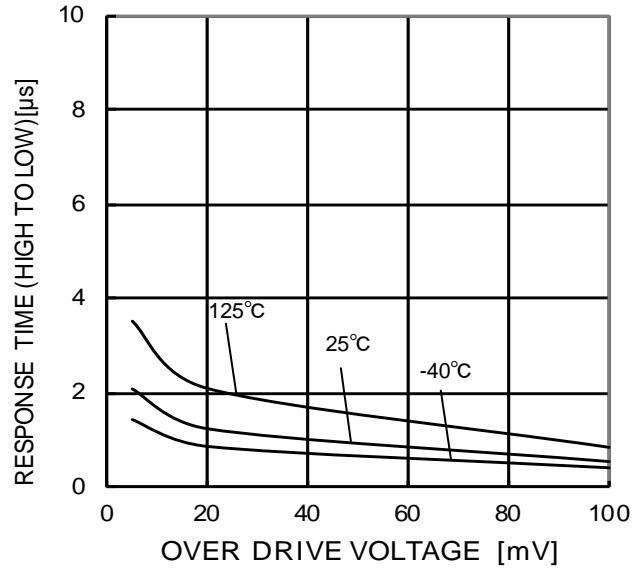


Figure 23.
Response Time (High to Low)
– Over Drive Voltage
(VCC=5V, VRL=5V, RL=5.1kΩ)

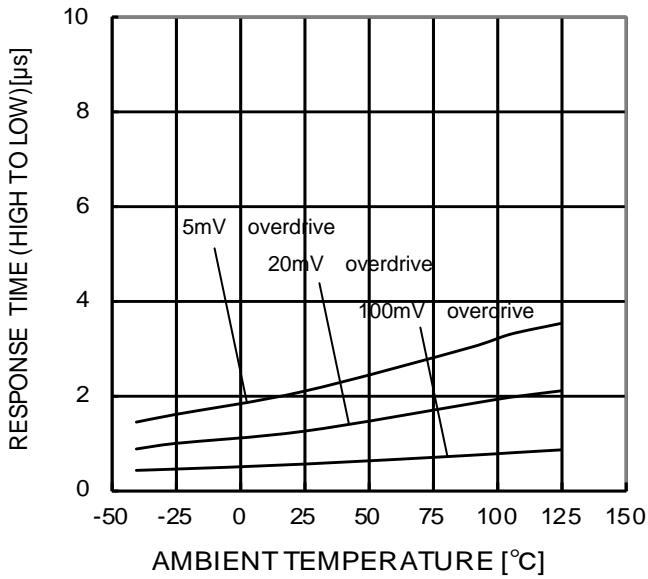


Figure 24.
Response Time (High to Low)
– Ambient Temperature
(VCC=5V, VRL=5V, RL=5.1kΩ)

(*)The data above is measurement value of typical sample, it is not guaranteed.

● Typical Performance Curves

OBA2901Yxx-C

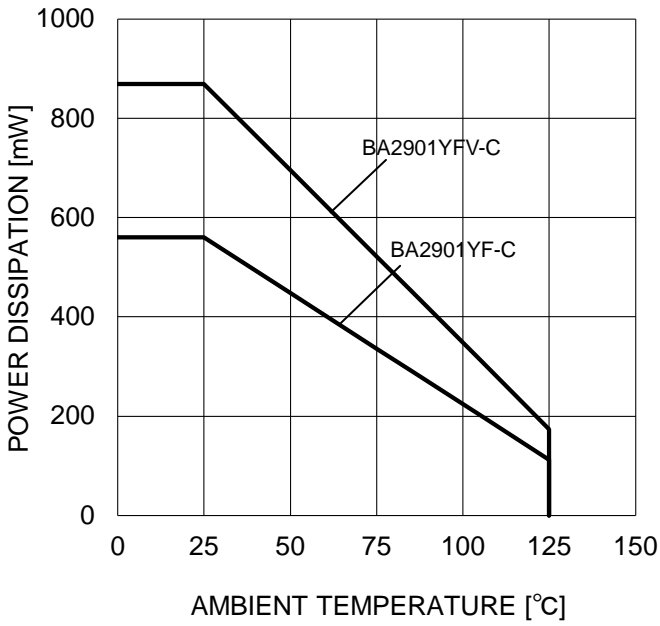


Figure 25.
Derating Curve

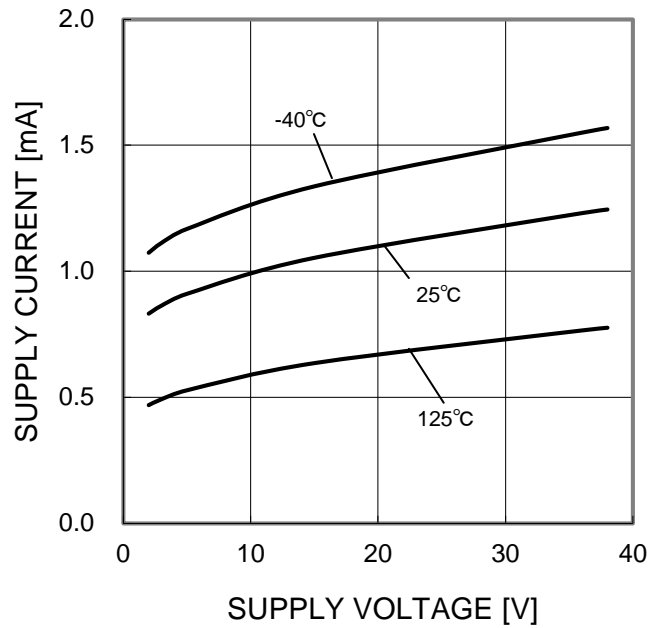


Figure 26.
Supply Current – Supply Voltage

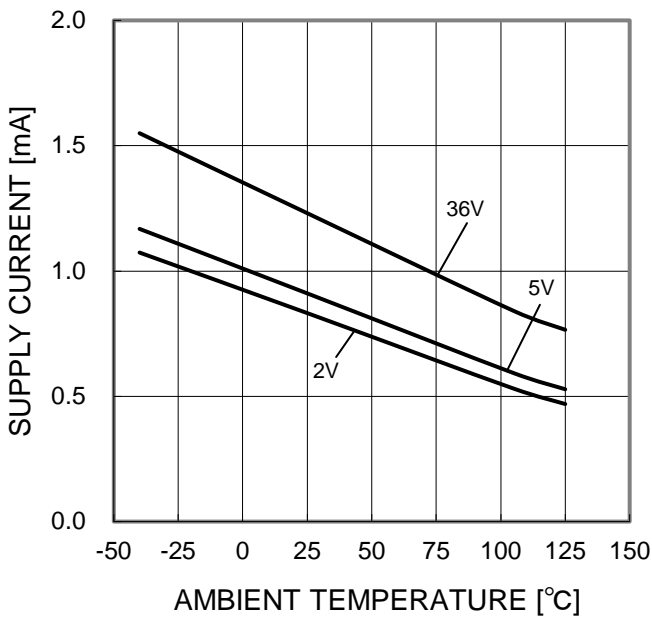


Figure 27.
Supply Current – Ambient Temperature

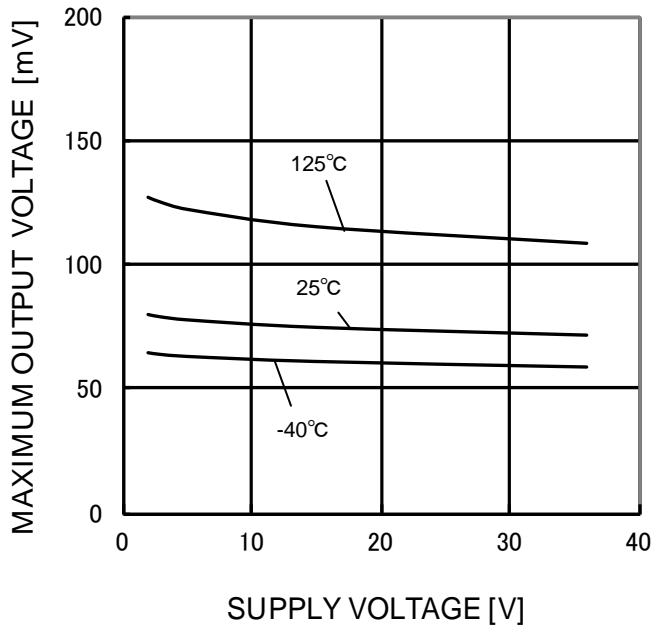


Figure 28.
Maximum Output Voltage – Supply Voltage
($I_{sink}=4mA$)

(*)The data above is measurement value of typical sample, it is not guaranteed.

● Typical Performance Curves -Continued

OBA2901Yxx-C

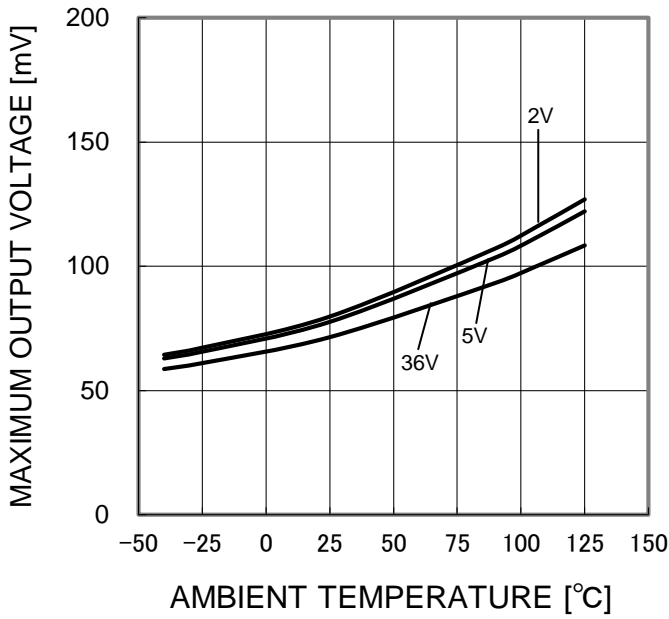


Figure 29.
Maximum Output Voltage – Ambient Temperature
($I_{sink}=4mA$)

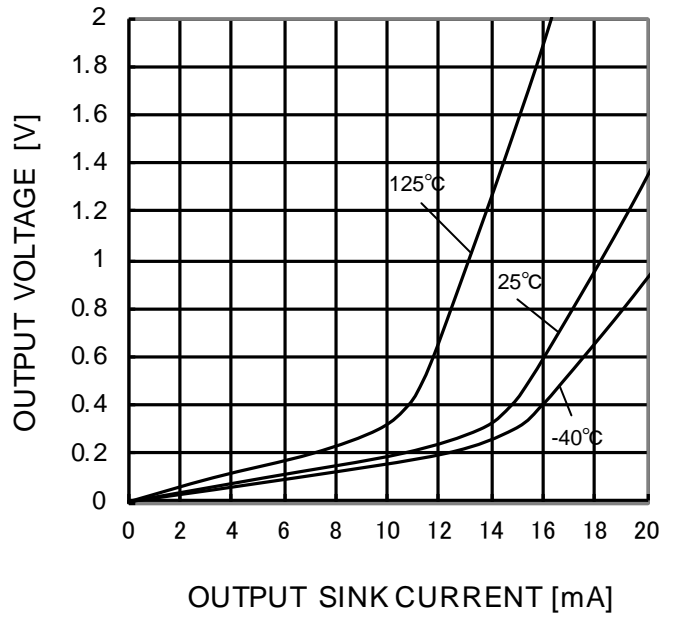


Figure 30.
Output Voltage – Output Sink Current
($V_{CC}=5V$)

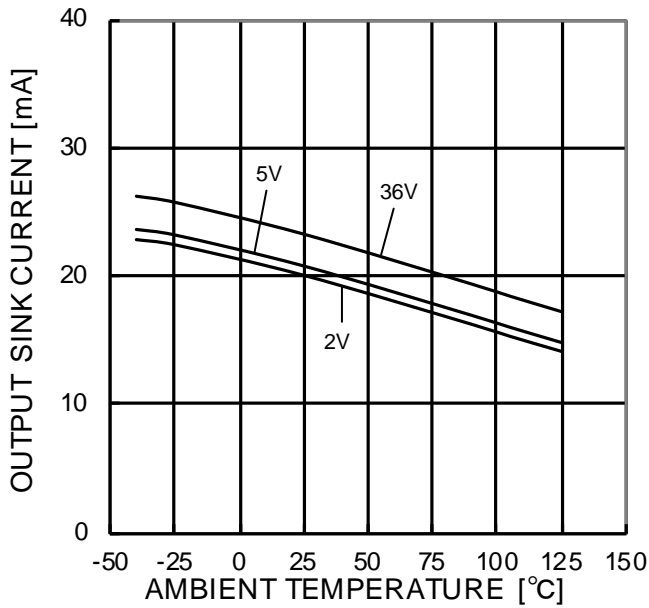


Figure 31.
Output Sink Current – Ambient Temperature
($OUT=1.5V$)

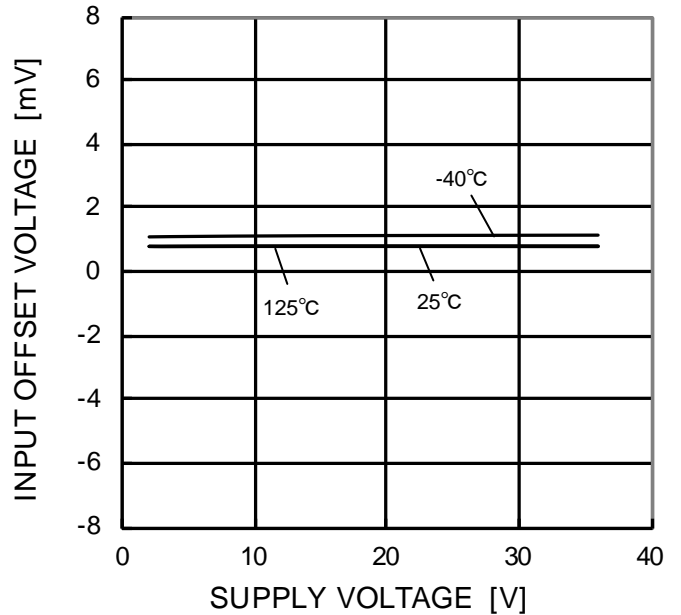


Figure 32.
Input Offset Voltage – Supply Voltage

(*)The data above is measurement value of typical sample, it is not guaranteed.

● Typical Performance Curves -Continued

OBA2901Yxx-C

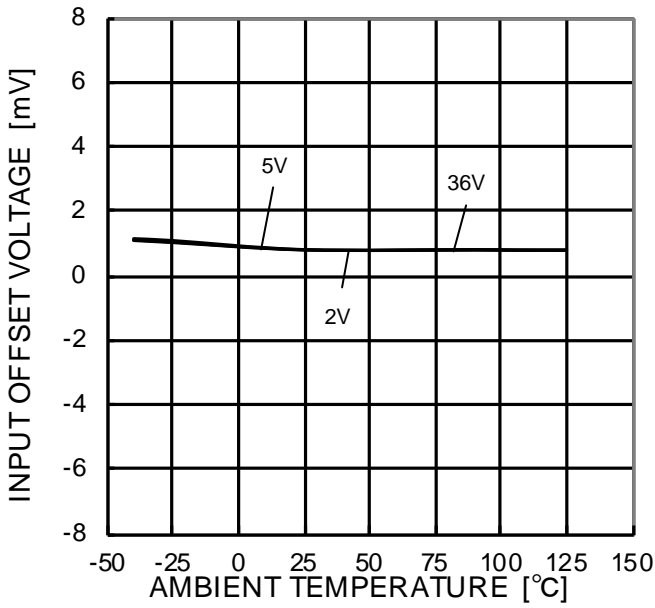


Figure 33.
Input Offset Voltage – Ambient Temperature

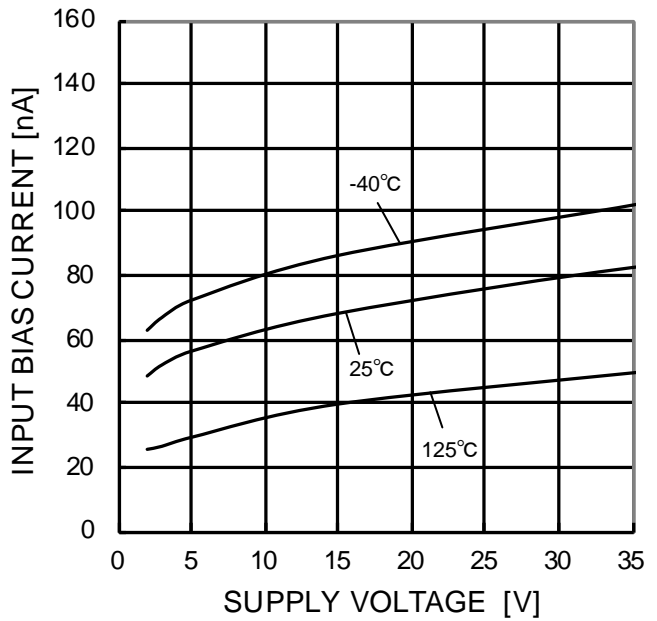


Figure 34.
Input Bias Current – Supply Voltage

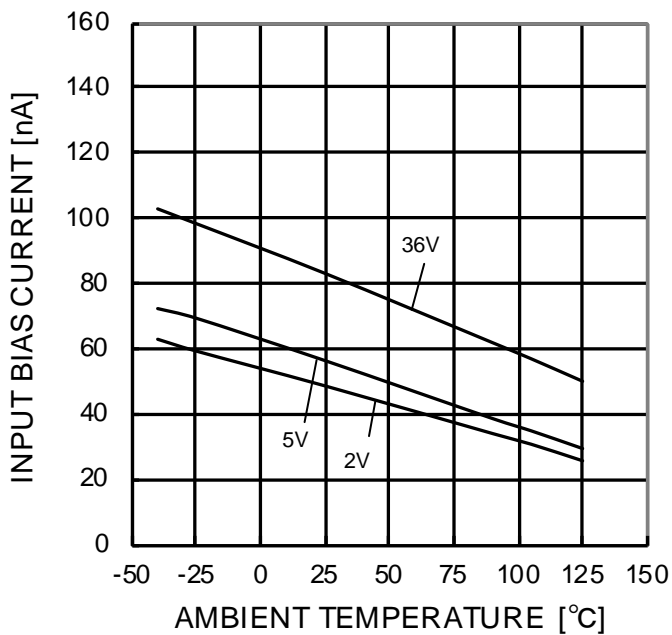


Figure 35.
Input Bias Current – Ambient Temperature

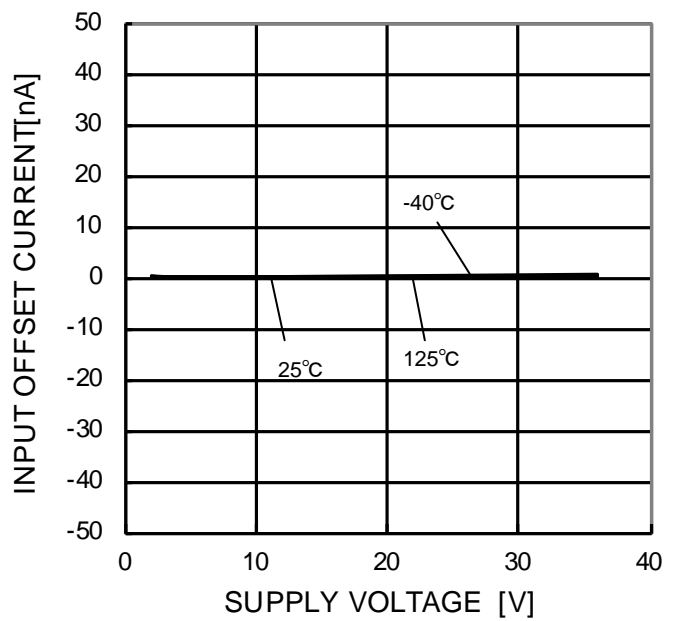


Figure 36.
Input Offset Current – Supply Voltage

(*)The data above is measurement value of typical sample, it is not guaranteed.

● Typical Performance Curves -Continued

OBA2901Yxx-C

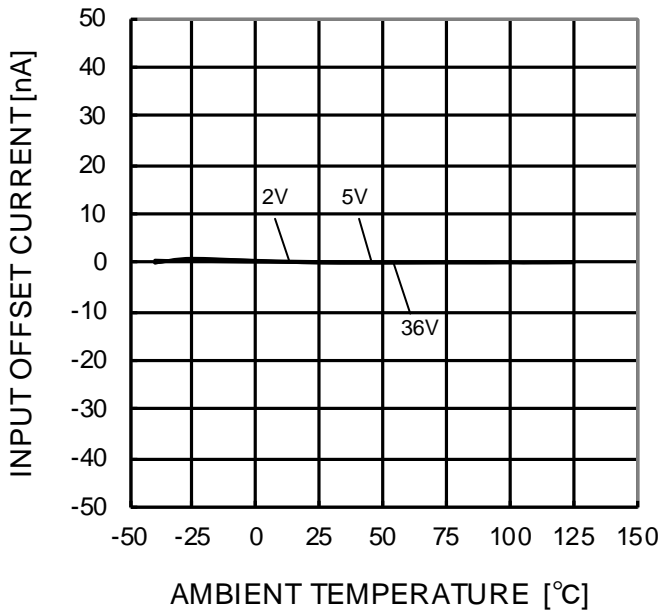


Figure 37.
Input Offset Current
– Ambient Temperature

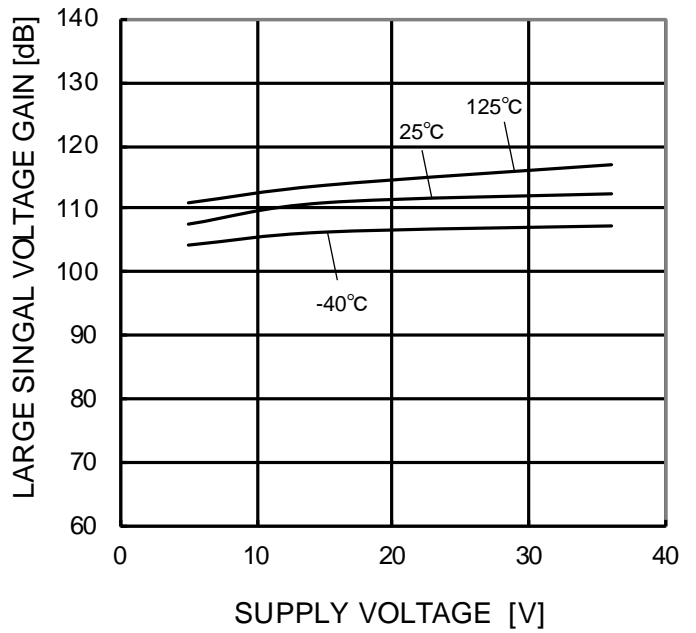


Figure 38.
Large Signal Voltage Gain
– Supply Voltage

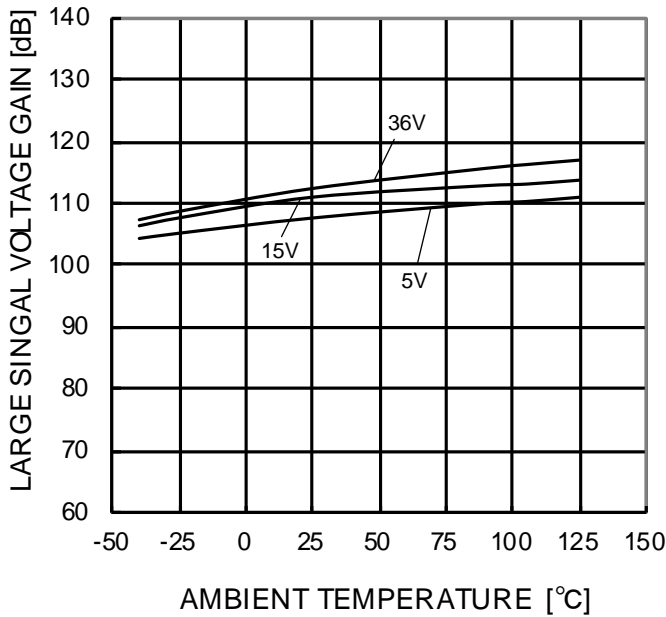


Figure 39.
Large Signal Voltage Gain
– Ambient Temperature

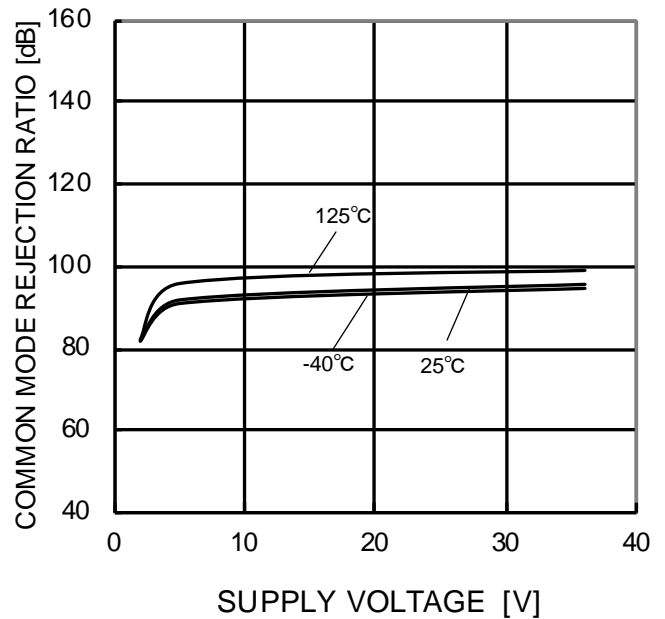


Figure 40.
Common Mode Rejection Ratio
– Supply Voltage

(*)The data above is measurement value of typical sample, it is not guaranteed.

● Typical Performance Curves -Continued

OBA2901Yxx-C

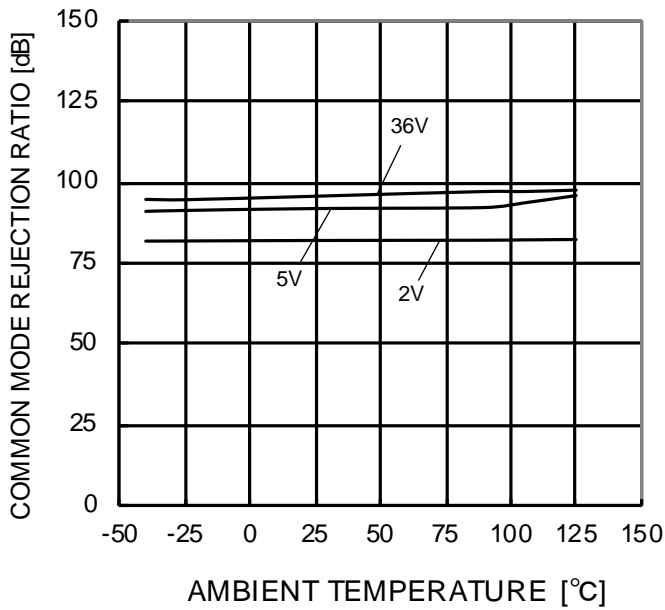


Figure 41.
Common Mode Rejection Ratio
– Ambient Temperature

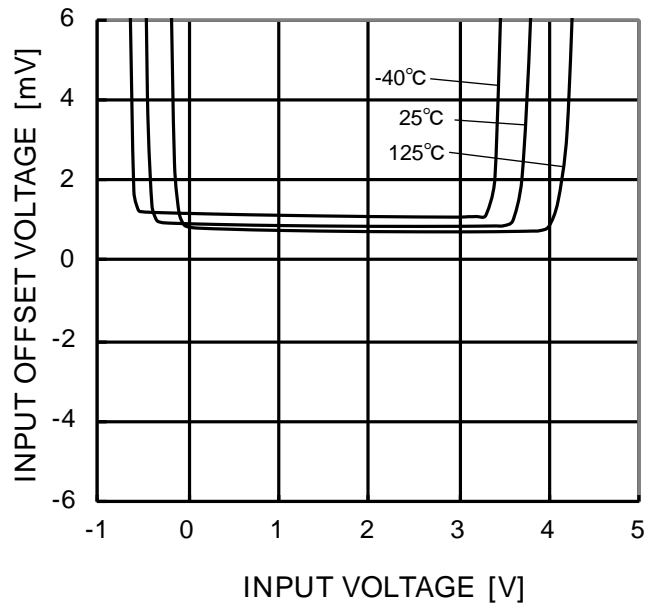


Figure 42.
Input Offset Voltage – Input Voltage
(VCC=5V)

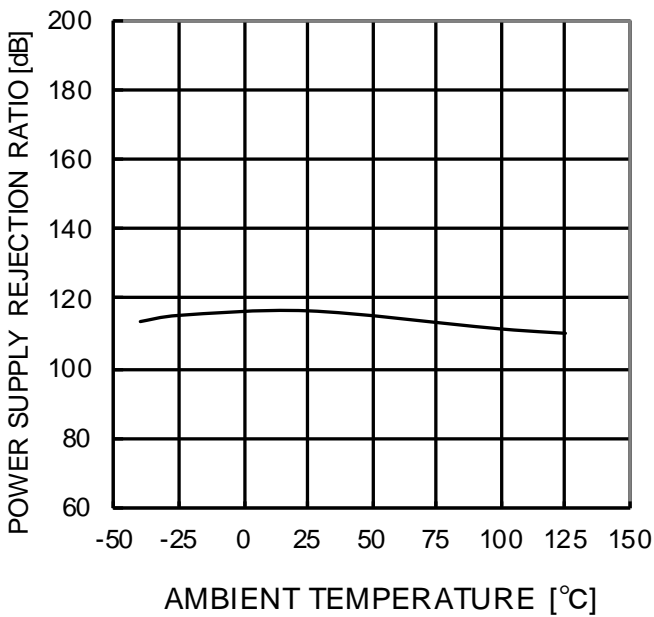


Figure 43.
Power Supply Rejection Ratio
– Ambient Temperature

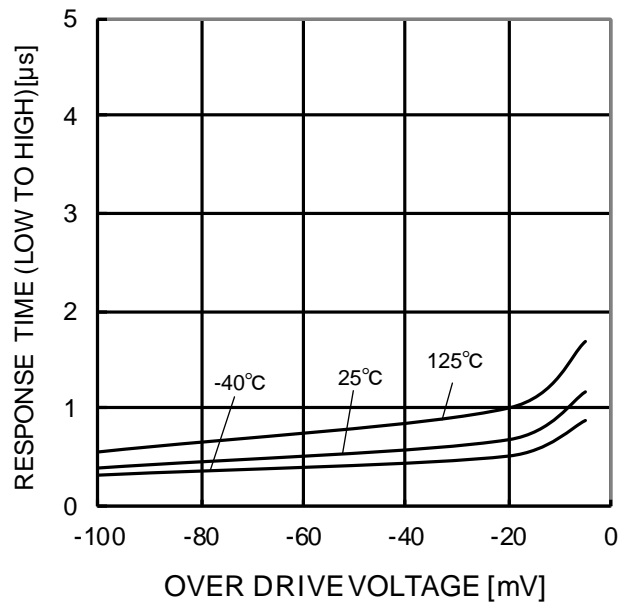


Figure 44.
Response Time (Low to High) – Over Drive Voltage
(VCC=5V, VRL=5V, RL=5.1kΩ)

(*)The data above is measurement value of typical sample, it is not guaranteed.

● Typical Performance Curves -Continued

OBA2901Yxx-C

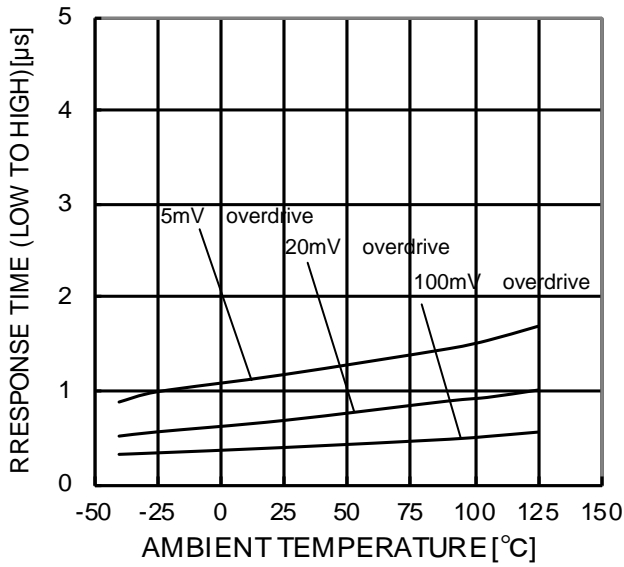


Figure 45.
Response Time (Low to High)
– Ambient Temperature
(VCC=5V, VRL=5V, RL=5.1kΩ)

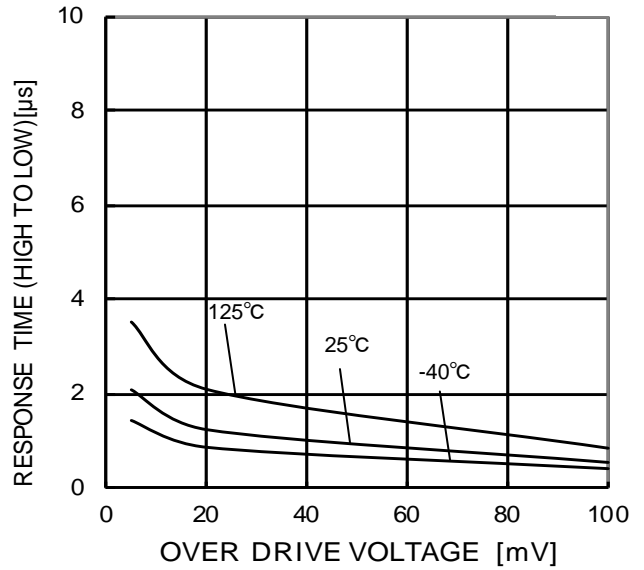


Figure 46.
Response Time (High to Low)
– Over Drive Voltage
(VCC=5V, VRL=5V, RL=5.1kΩ)

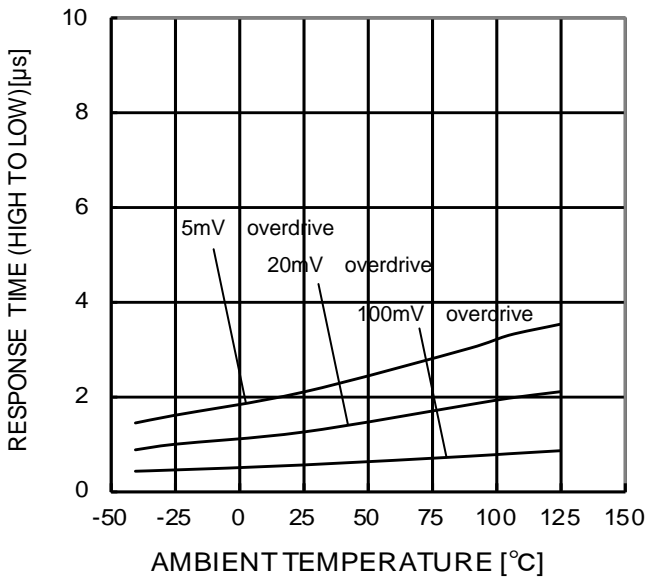


Figure 47.
Response Time (High to Low)
– Ambient Temperature
(VCC=5V, VRL=5V, RL=5.1kΩ)

(*)The data above is measurement value of typical sample, it is not guaranteed.

●Power Dissipation

Power dissipation (total loss) indicates the power that the IC can consume at Ta=25°C (normal temperature). As the IC consumes power, it heats up, causing its temperature to be higher than the ambient temperature. The allowable temperature that the IC can accept is limited. This depends on the circuit configuration, manufacturing process, and consumable power.

Power dissipation is determined by the allowable temperature within the IC (maximum junction temperature) and the thermal resistance of the package used (heat dissipation capability). Maximum junction temperature is typically equal to the maximum storage temperature. The heat generated through the consumption of power by the IC radiates from the mold resin or lead frame of the package. Thermal resistance, represented by the symbol θ_{ja} °C/W, indicates this heat dissipation capability. Similarly, the temperature of an IC inside its package can be estimated by thermal resistance.

Figure 50. (a) shows the model of the thermal resistance of the package. The equation below shows how to compute for the Thermal resistance (θ_{ja}), given the ambient temperature (Ta), junction temperature (Tj), and power dissipation (Pd).

$$\theta_{ja} = (T_{jmax} - T_a) / P_d \quad \text{°C/W} \quad \dots \dots (I)$$

The Derating curve in Figure 48. (b) indicates the power that the IC can consume with reference to ambient temperature. Power consumption of the IC begins to attenuate at certain temperatures. This gradient is determined by Thermal resistance (θ_{ja}), which depends on the chip size, power consumption, package, ambient temperature, package condition, wind velocity, etc. This may also vary even when the same of package is used. Thermal reduction curve indicates a reference value measured at a specified condition. Figure 49. (c),(d) shows an example of the derating curve for BA2903Yxxx-C, BA2901Yxx-C.

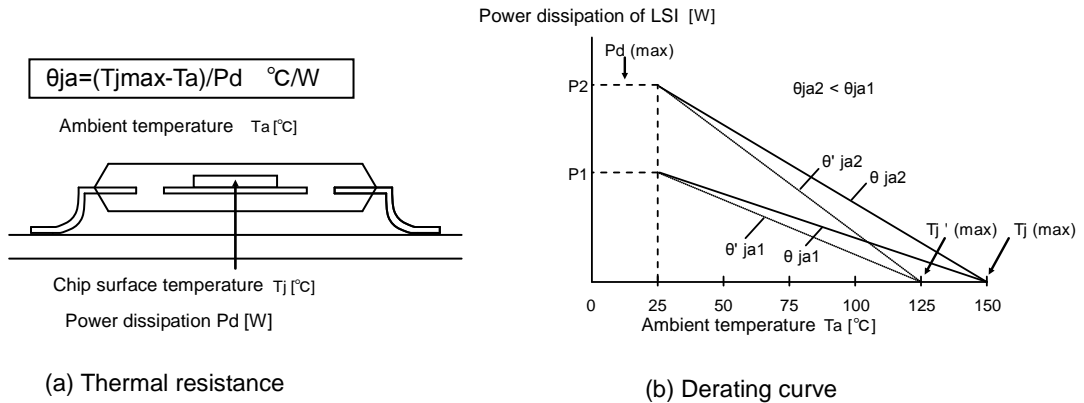
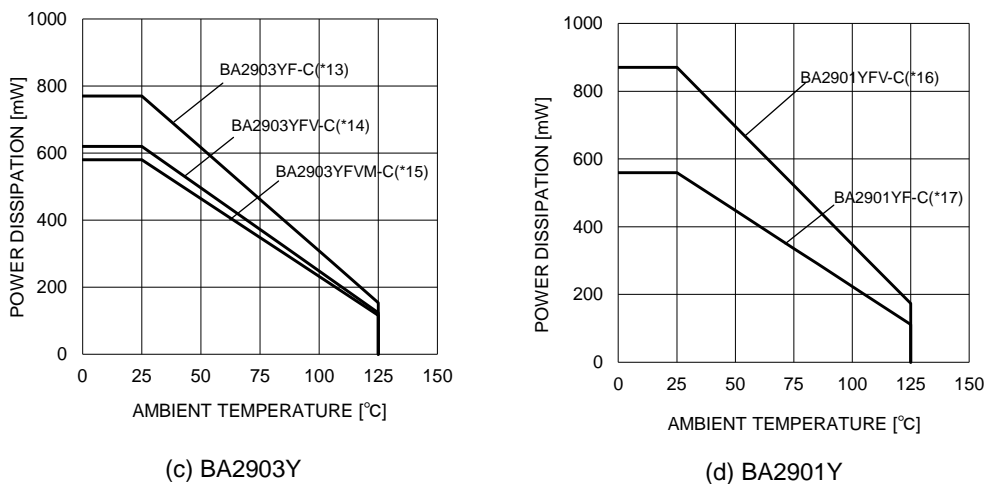


Figure 48. Thermal resistance and derating



(*13)	(*14)	(*15)	(*16)	(*17)	UNIT
6.2	5.0	4.7	7.0	4.5	mW/°C

When using the unit above Ta=25°C, subtract the value above per degree°C.
Permissible dissipation is the value when FR4 glass epoxy board 70mmx70mmx1.6mm(cooper foil area below 3%) is mounted.

Figure 49. Derating curve

●Application Information

NULL method condition for Test circuit 1

VCC,VEE,EK,Vicm Unit : V

Parameter	VF	S1	S2	S3	VCC	VEE	EK	Vicm	Calculation
Input Offset Voltage	VF1	ON	ON	ON	5~36	0	-1.4	0	1
Input Offset Current	VF2	OFF	OFF	ON	5	0	-1.4	0	2
Input Bias Current	VF3	OFF	ON	ON	5	0	-1.4	0	3
	VF4	ON	OFF		5	0	-1.4	0	
Large Signal Voltage Gain	VF5	ON	ON	ON	15	0	-1.4	0	4
	VF6				15	0	-11.4	0	

- Calculation -

1. Input Offset Voltage (Vio)

$$V_{io} = \frac{|VF1|}{1+R_F/R_S} \text{ [V]}$$

2. Input Offset Current (Iio)

$$I_{io} = \frac{|VF2-VF1|}{R_{ix}(1+R_F/R_S)} \text{ [A]}$$

3. Input Bias Current (Ib)

$$I_b = \frac{|VF4-VF3|}{2 \times R_{ix}(1+R_F/R_S)} \text{ [A]}$$

4. Large Signal Voltage Gain (Av)

$$A_v = 20 \times \text{Log} \frac{\Delta E_K \times (1+R_F/R_S)}{|VF5-VF6|} \text{ [dB]}$$

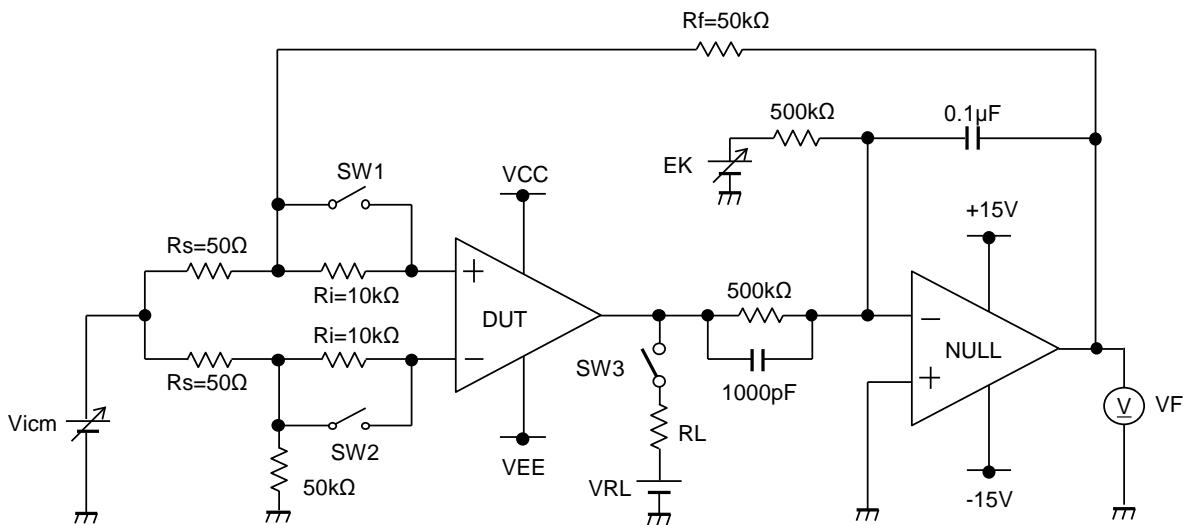


Figure 50. Test circuit 1 (one channel only)

Switch Condition for Test Circuit 2

SW No.		SW 1	SW 2	SW 3	SW 4	SW 5	SW 6	SW 7
Supply Current		OFF	OFF	OFF	OFF	OFF	OFF	OFF
Output Sink Current	VOL=1.5V	OFF	ON	ON	OFF	OFF	OFF	ON
Output Saturation Voltage	Isink=4mA	OFF	ON	ON	OFF	ON	ON	OFF
Output Leakage Current	VOH=36V	OFF	ON	ON	OFF	OFF	OFF	ON
Response Time	RL=5.1kΩ, VRL=5V	ON	OFF	ON	ON	OFF	OFF	OFF

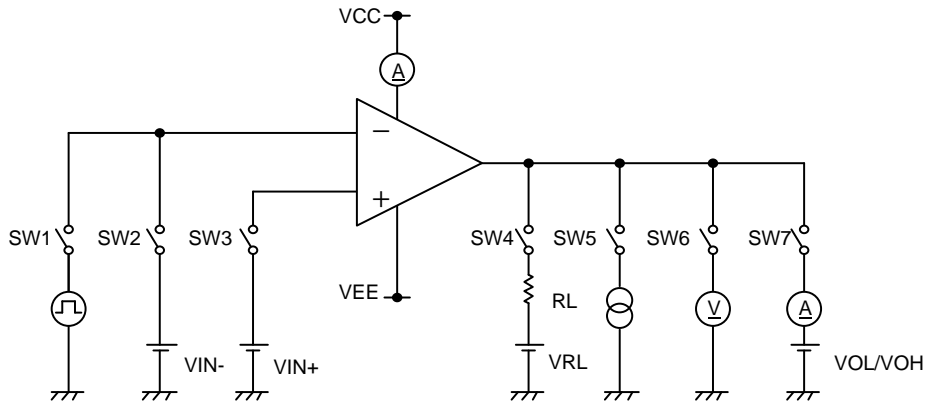


Figure 51. Test Circuit 2 (one channel only)

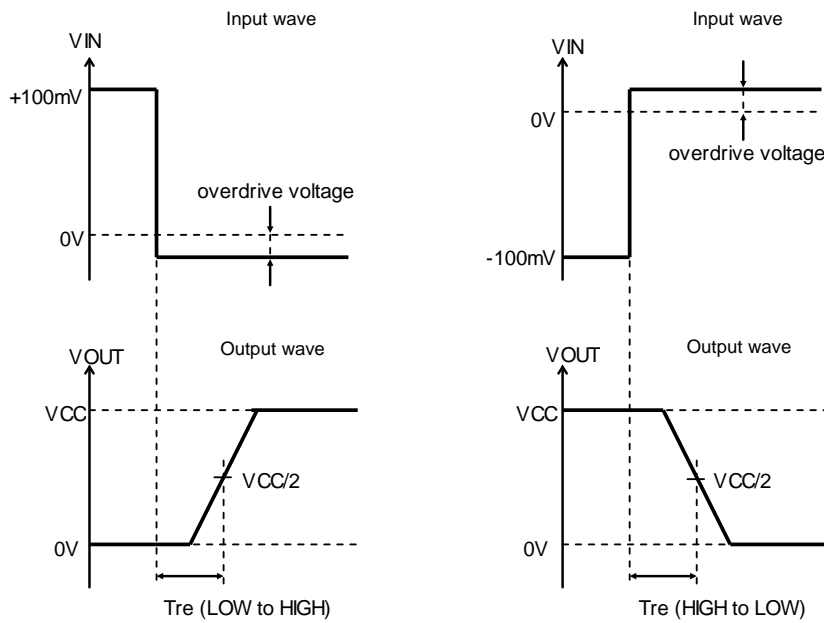
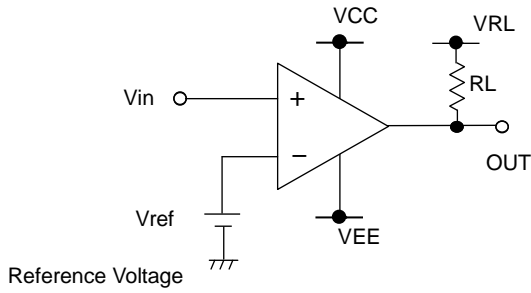


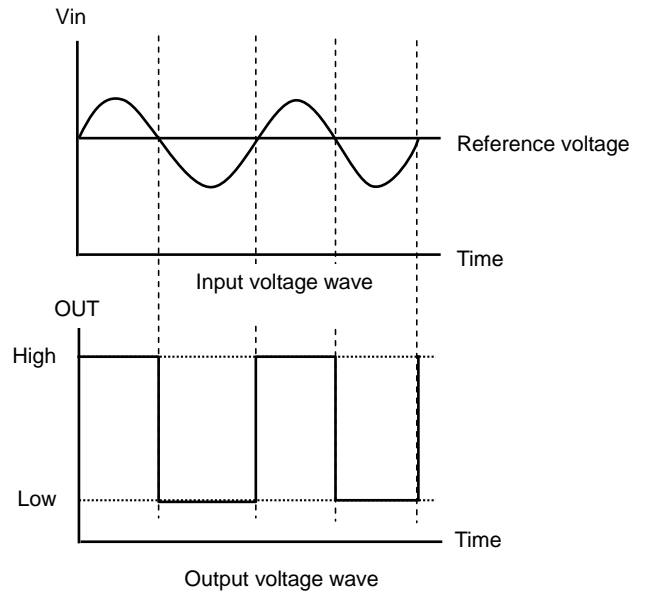
Figure 52. Response Time

●Application example

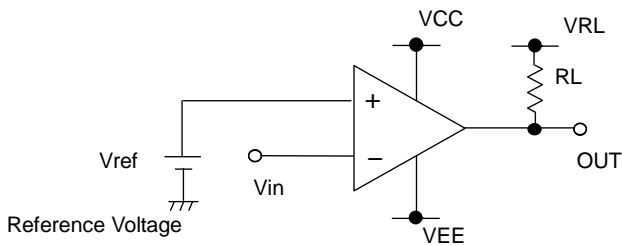
○Reference voltage is -IN



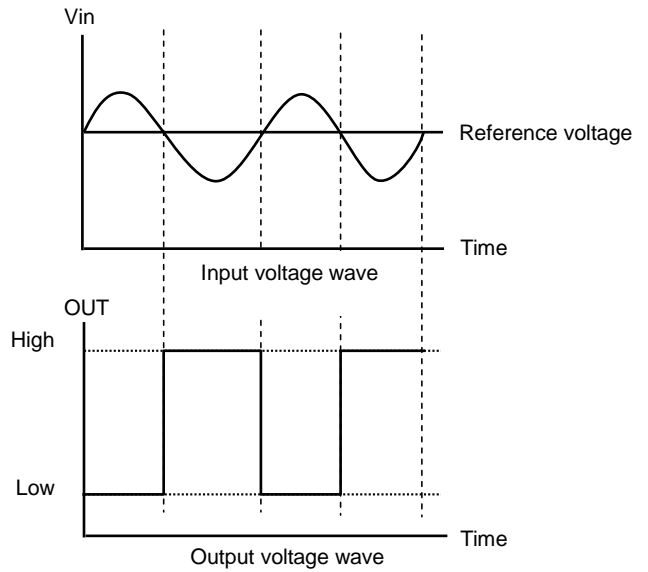
While the input voltage(V_{in}) is higher than the reference voltage, the output voltage remains high. In case the input voltage becomes lower than the reference voltage, the output voltage will turn low.



○Reference voltage is +IN



While the input voltage(V_{in}) is smaller than the reference voltage, the output voltage remains high. In case the input voltage becomes higher than the reference voltage, the output voltage will turn low.



●Operational Notes**1. Reverse Connection of Power Supply**

Connecting the power supply in reverse polarity can damage the IC. Take precautions against reverse polarity when connecting the power supply, such as mounting an external diode between the power supply and the IC's power supply pins.

2. Power Supply Lines

Design the PCB layout pattern to provide low impedance supply lines. Furthermore, connect a capacitor to ground at all power supply pins. Consider the effect of temperature and aging on the capacitance value when using electrolytic capacitors.

3. Ground Voltage

Ensure that no pins are at a voltage below that of the ground pin at any time, even during transient condition.

4. Ground Wiring Pattern

When using both small-signal and large-current ground traces, the two ground traces should be routed separately but connected to a single ground at the reference point of the application board to avoid fluctuations in the small-signal ground caused by large currents. Also ensure that the ground traces of external components do not cause variations on the ground voltage. The ground lines must be as short and thick as possible to reduce line impedance.

5. Thermal Consideration

Should by any chance the power dissipation rating be exceeded the rise in temperature of the chip may result in deterioration of the properties of the chip. In case of exceeding this absolute maximum rating, increase the board size and copper area to prevent exceeding the Pd rating.

6. Recommended Operating Conditions

These conditions represent a range within which the expected characteristics of the IC can be approximately obtained. The electrical characteristics are guaranteed under the conditions of each parameter.

7. Inrush Current

When power is first supplied to the IC, it is possible that the internal logic may be unstable and inrush current may flow instantaneously due to the internal powering sequence and delays, especially if the IC has more than one power supply. Therefore, give special consideration to power coupling capacitance, power wiring, width of ground wiring, and routing of connections.

8. Operation Under Strong Electromagnetic Field

Operating the IC in the presence of a strong electromagnetic field may cause the IC to malfunction.

9. Testing on Application Boards

When testing the IC on an application board, connecting a capacitor directly to a low-impedance output pin may subject the IC to stress. Always discharge capacitors completely after each process or step. The IC's power supply should always be turned off completely before connecting or removing it from the test setup during the inspection process. To prevent damage from static discharge, ground the IC during assembly and use similar precautions during transport and storage.

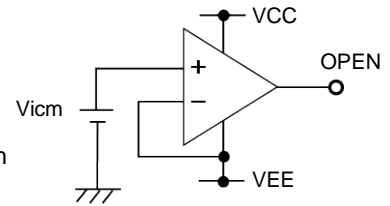
10. Inter-pin Short and Mounting Errors

Ensure that the direction and position are correct when mounting the IC on the PCB. Incorrect mounting may result in damaging the IC. Avoid nearby pins being shorted to each other especially to ground, power supply and output pin. Inter-pin shorts could be due to many reasons such as metal particles, water droplets (in very humid environment) and unintentional solder bridge deposited in between pins during assembly to name a few.

●Operational Notes –Continued

11. Unused circuits

When there are unused comparators, it is recommended that they are connected as in Figure 53. ,setting the non-inverting input terminal to a potential within the in-phase input voltage range (Vicm).



Please keep this potential in Vicm
 $VCC - 1.5V > Vicm > VEE$

Figure 53. Example of application circuit for unused comparator

12. Regarding the Input Pin of the IC

This monolithic IC contains P+ isolation and P substrate layers between adjacent elements in order to keep them isolated. P-N junctions are formed at the intersection of the P layers with the N layers of other elements, creating a parasitic diode or transistor. For example (refer to figure below):

When $GND > Pin A$ and $GND > Pin B$, the P-N junction operates as a parasitic diode.

When $GND > Pin B$, the P-N junction operates as a parasitic transistor.

Parasitic diodes inevitably occur in the structure of the IC. The operation of parasitic diodes can result in mutual interference among circuits, operational faults, or physical damage. Therefore, conditions that cause these diodes to operate, such as applying a voltage lower than the GND voltage to an input pin (and thus to the P substrate) should be avoided.

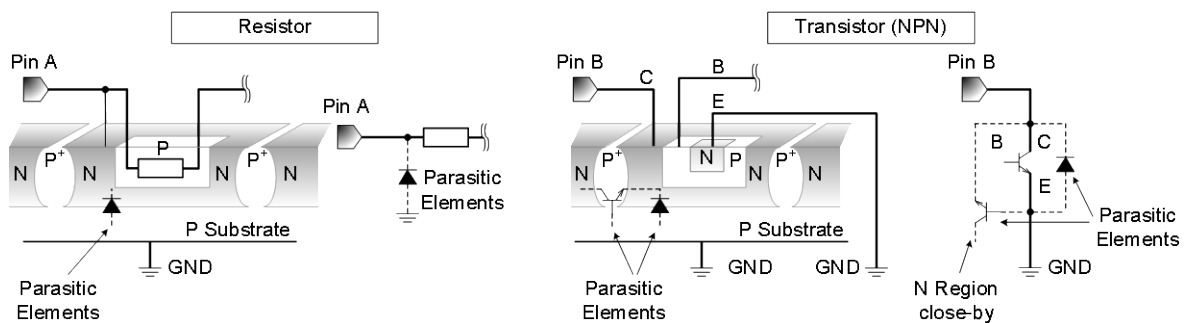


Figure 54. Example of monolithic IC structure

13. Ceramic Capacitor

When using a ceramic capacitor, determine the dielectric constant considering the change of capacitance with temperature and the decrease in nominal capacitance due to DC bias and others.

14. Input voltage

Applying VEE +36V to the input terminal is possible without causing deterioration of the electrical characteristics or destruction, regardless of the supply voltage. However, this does not ensure normal circuit operation. Please note that the circuit operates normally only when the input voltage is within the common mode input voltage range of the electric characteristics.

15. Power supply (single / split)

The comparator operates when the voltage supplied is between VCC and VEE. Therefore, the single supply comparator can be used as a split supply comparator as well.

16. Terminal short-circuits

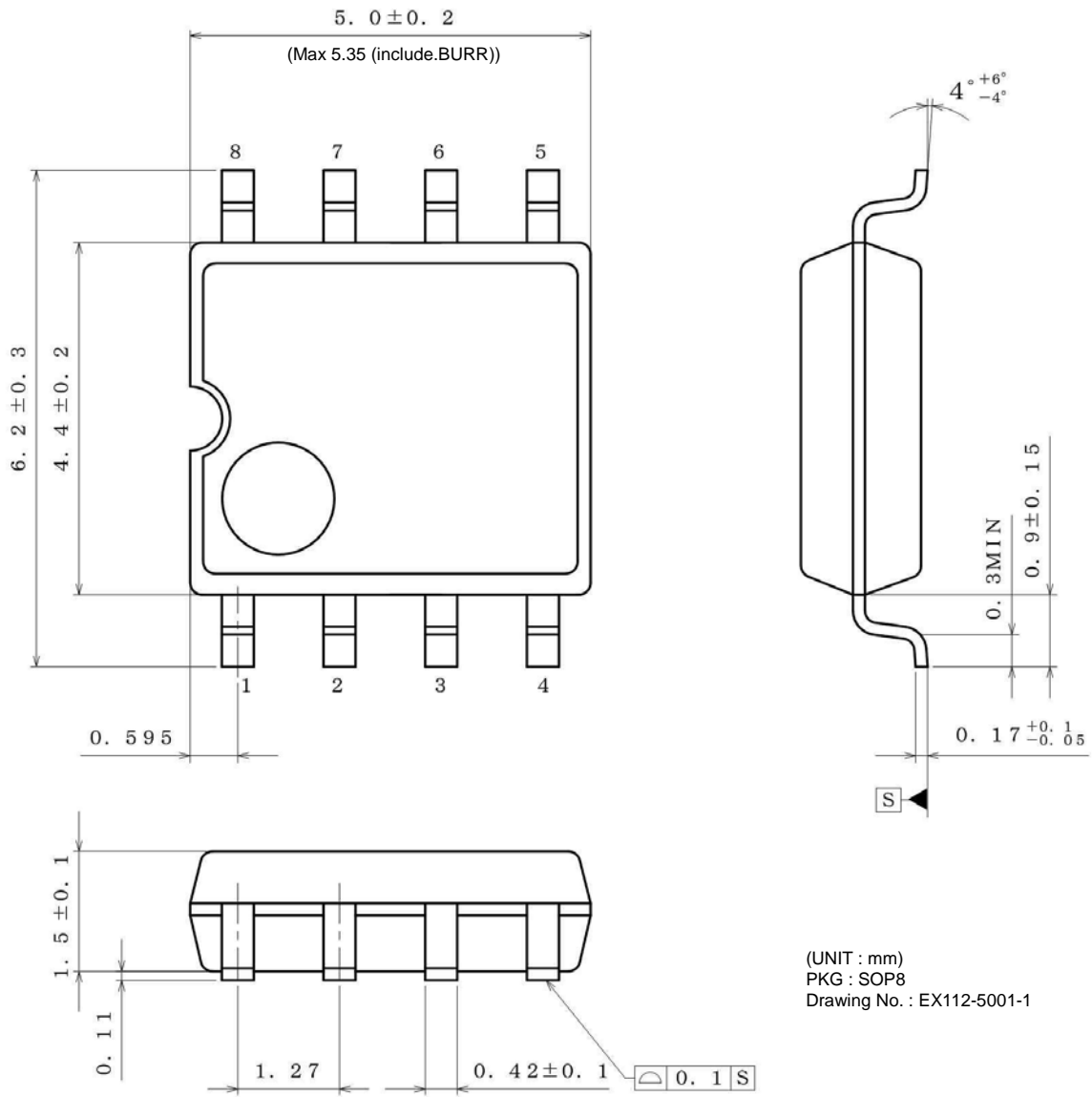
When the output and VCC terminals are shorted, excessive output current may flow, resulting in undue heat generation and, subsequently, destruction.

17. IC handling

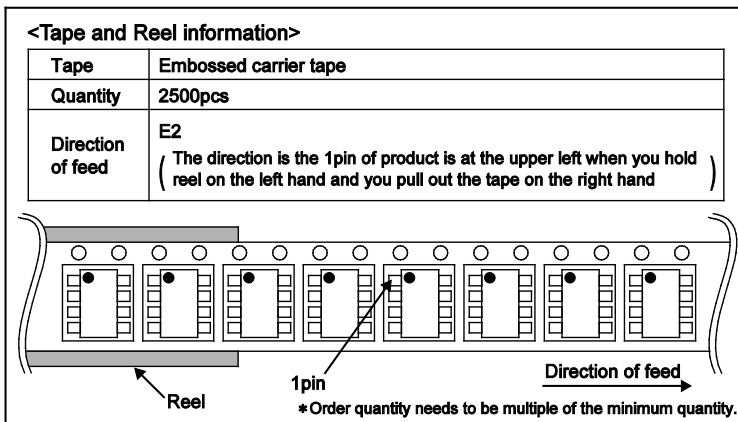
Applying mechanical stress to the IC by deflecting or bending the board may cause fluctuations in the electrical characteristics due to piezo resistance effects.

●Physical Dimension, Tape and Reel Information

Package Name	SOP8
--------------	------

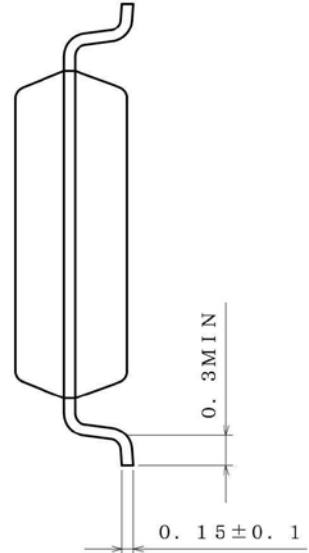
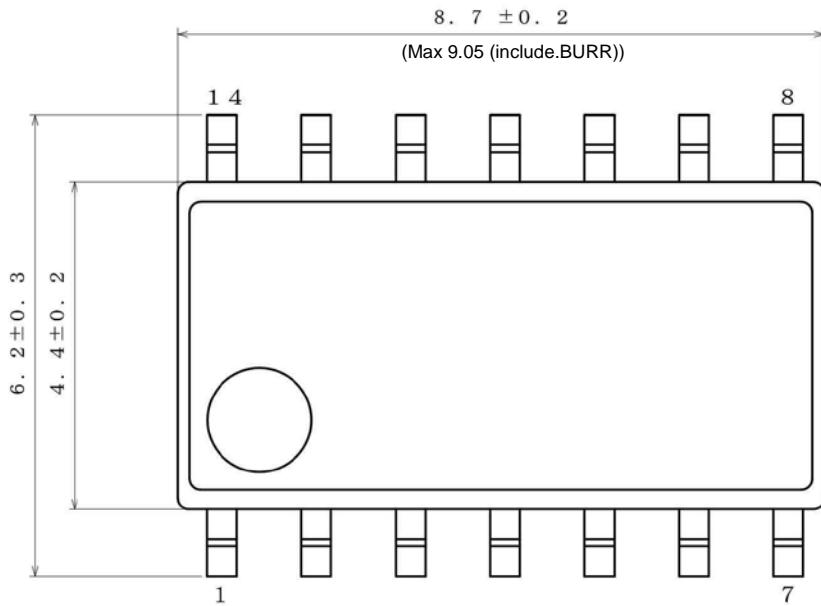


(UNIT : mm)
 PKG : SOP8
 Drawing No. : EX112-5001-1



●Physical Dimension, Tape and Reel Information

Package Name	SOP14
--------------	-------



(UNIT : mm)
 PKG : SOP14
 Drawing No. : EX113-5001

<Tape and Reel information>

Tape	Embossed carrier tape
Quantity	2500pcs
Direction of feed	E2 (The direction is the 1pin of product is at the upper left when you hold reel on the left hand and you pull out the tape on the right hand)

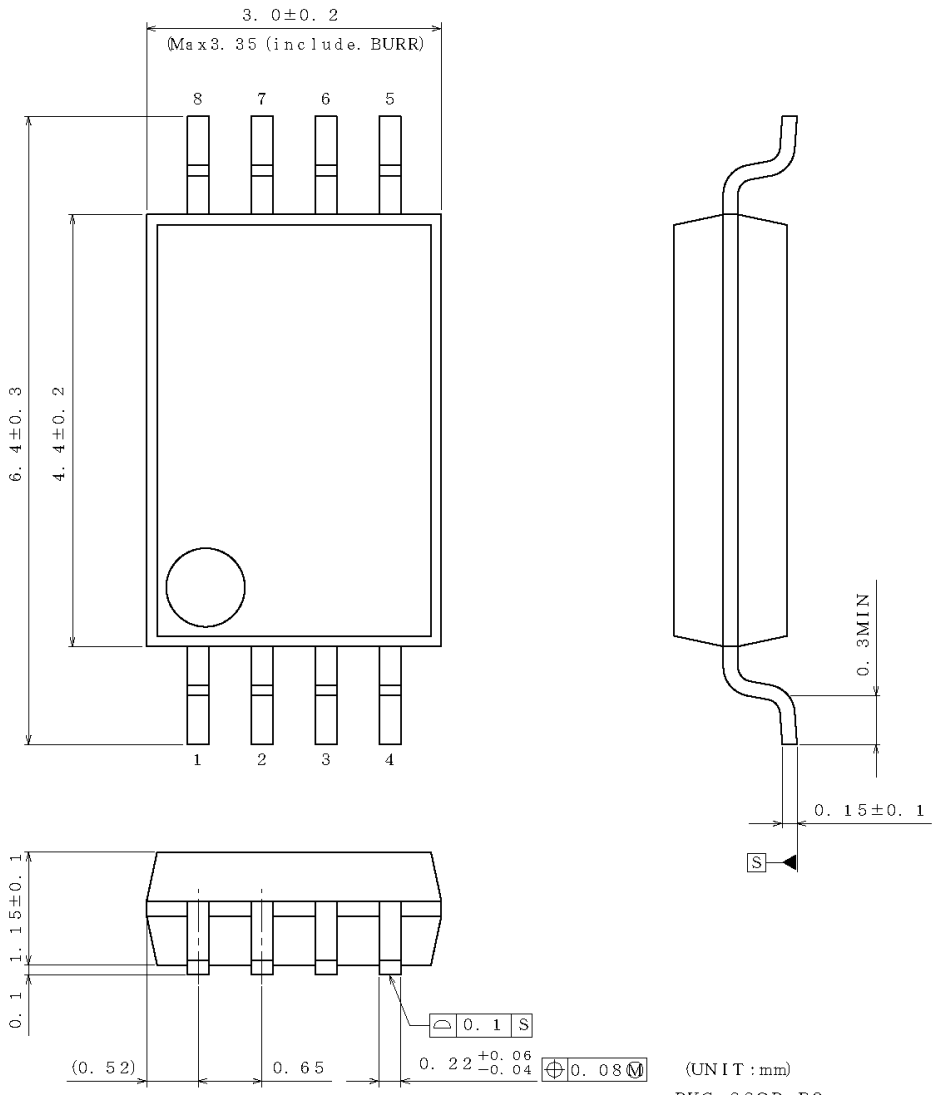
Reel → Direction of feed →

1pin

*Order quantity needs to be multiple of the minimum quantity.

●Physical Dimension, Tape and Reel Information

Package Name	SSOP-B8
--------------	---------



PKG: SSOP-B8
 Drawing No. EX151-5002

<Tape and Reel information>

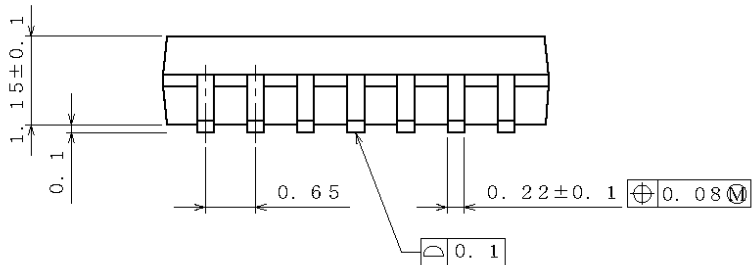
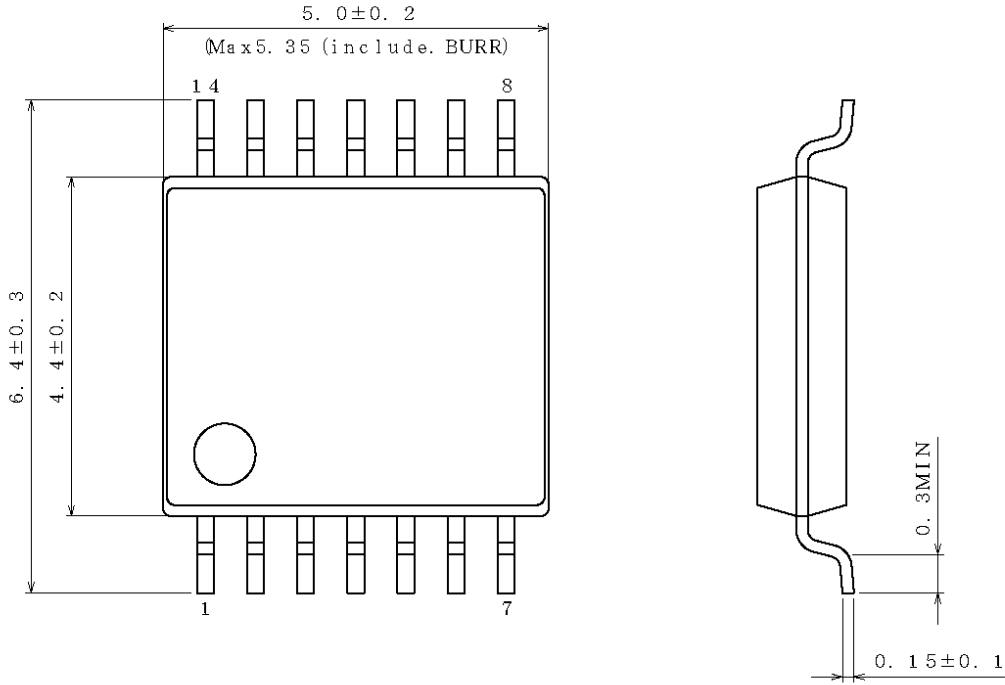
Tape	Embossed carrier tape
Quantity	2500pcs
Direction of feed	E2 (The direction is the 1pin of product is at the upper left when you hold reel on the left hand and you pull out the tape on the right hand)

Reel → 1pin → Direction of feed

*Order quantity needs to be multiple of the minimum quantity.

●Physical Dimension, Tape and Reel Information

Package Name	SSOP-B14
--------------	----------



(UNIT : mm)
 PKG : SSOP-B14
 Drawing No. EX152-5002

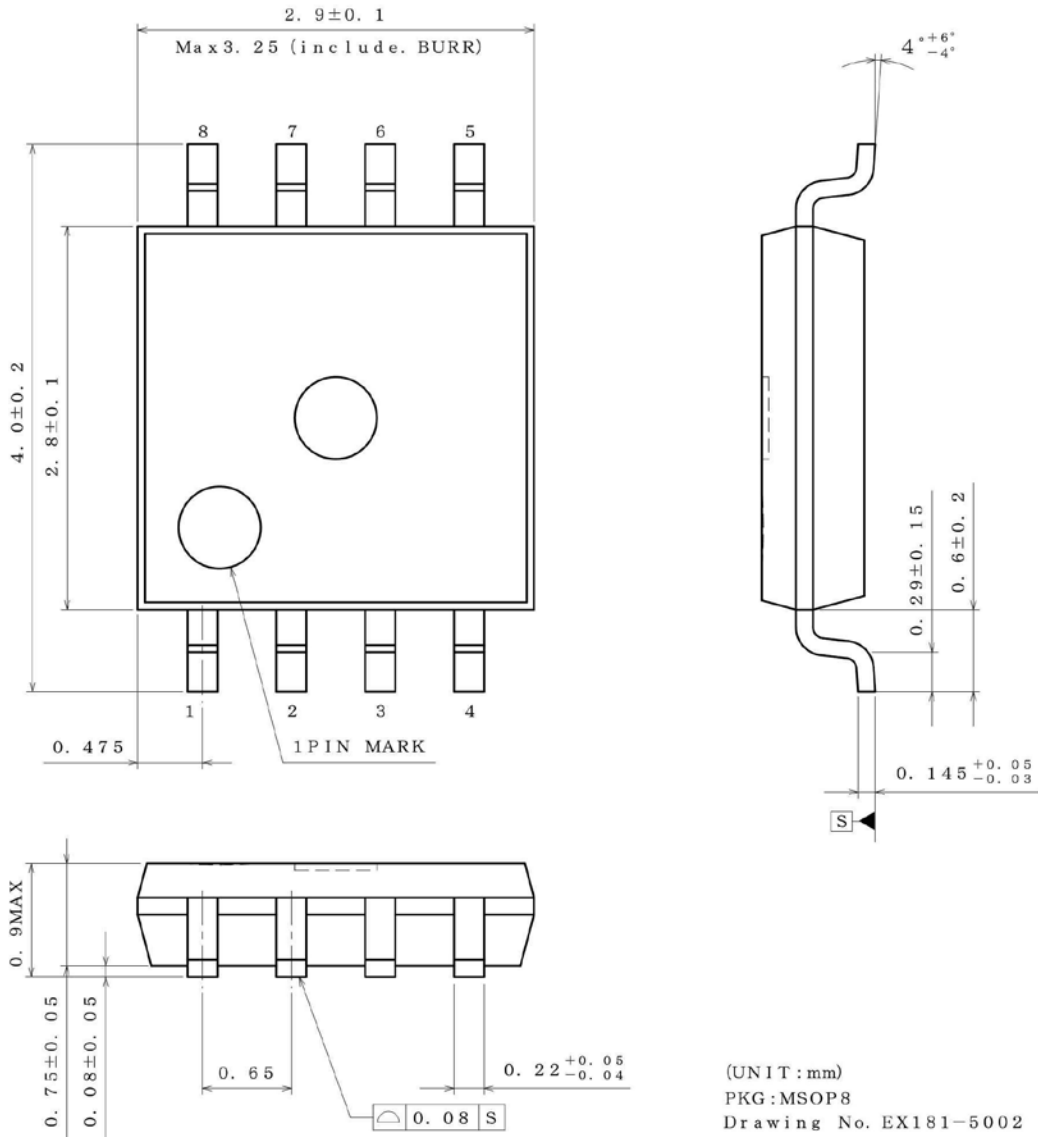
<Tape and Reel information>

Tape	Embossed carrier tape
Quantity	2500pcs
Direction of feed	E2 (The direction is the 1pin of product is at the upper left when you hold reel on the left hand and you pull out the tape on the right hand)

Reel 1pin Direction of feed
 *Order quantity needs to be multiple of the minimum quantity.

●Physical Dimension, Tape and Reel Information

Package Name	MSOP8
--------------	-------

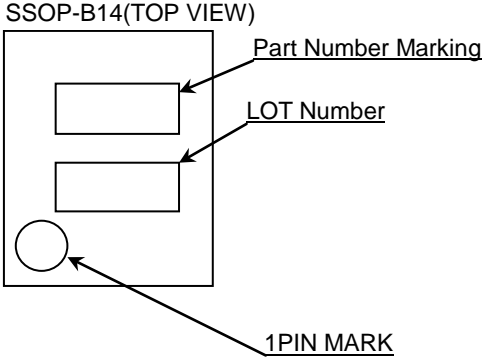
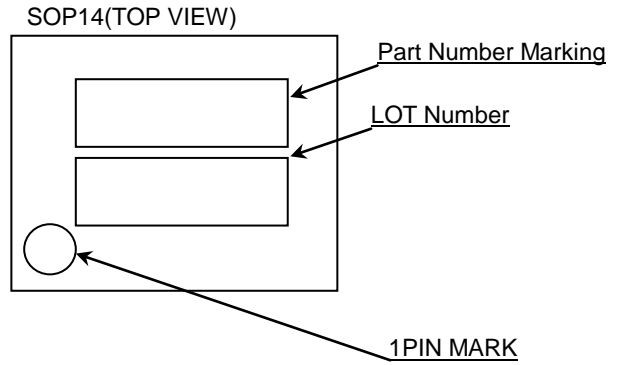
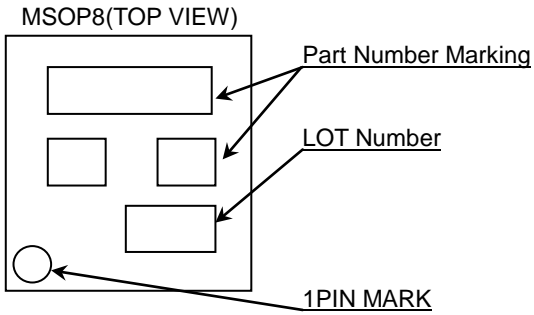
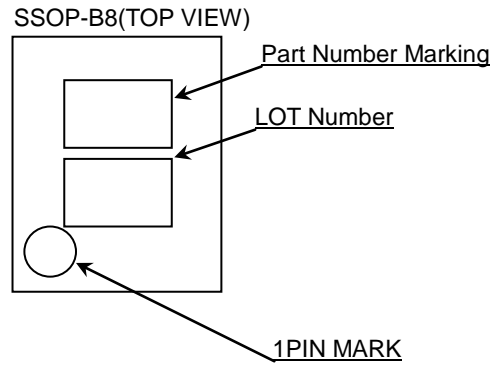
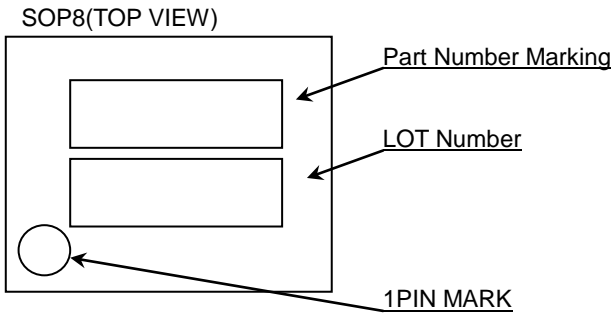


<Tape and Reel information>

Tape	Embossed carrier tape
Quantity	3000pcs
Direction of feed	TR (The direction is the 1pin of product is at the upper right when you hold reel on the left hand and you pull out the tape on the right hand)

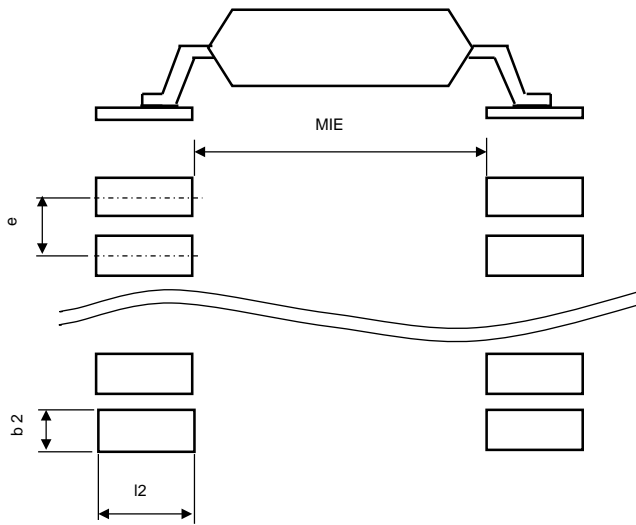
*Order quantity needs to be multiple of the minimum quantity.

●Marking Diagrams



Product Name		Package Type	Marking
BA2903Y	F-C	SOP8	2903Y
	FV-C	SSOP-B8	03Y
	FVM-C	MSOP8	2903Y
BA2901Y	F-C	SOP14	BA2901YF
	FV-C	SSOP-B14	2901Y

●Land pattern data



SOP8, SSOP-B8, MSOP8
SOP14, SSOP-B14

All dimensions in mm

Package	Land pitch e	Land space MIE	Land length $\geq l_2$	Land width b2
SOP8 SOP14	1.27	4.60	1.10	0.76
SSOP-B8 SSOP-B14	0.65	4.60	1.20	0.35
MSOP8	0.65	2.62	0.99	0.35

●Revision History

Date	Revision	Changes
11.APR.2012	001	New Release
21.JAN.2013	002	Land pattern data inserted.
11.MAR.2013	003	Input offset voltage, Input offset current limit (Temp=25°C) changed. Description of Physical Dimension, Tape and Reel Information changed.
8.MAY.2013	004	SOP8, SSOP-B8, MSOP8 Power dissipation corrected. SSOP-B8, SSOP-B14 corrected.
29.SEP.2015	005	Corrections, Postscript(Operational Notes), Changing the notation

Notice

Precaution on using ROHM Products

1. If you intend to use our Products in devices requiring extremely high reliability (such as medical equipment ^(Note 1), aircraft/spacecraft, nuclear power controllers, etc.) and whose malfunction or failure may cause loss of human life, bodily injury or serious damage to property ("Specific Applications"), please consult with the ROHM sales representative in advance. Unless otherwise agreed in writing by ROHM in advance, ROHM shall not be in any way responsible or liable for any damages, expenses or losses incurred by you or third parties arising from the use of any ROHM's Products for Specific Applications.

(Note1) Medical Equipment Classification of the Specific Applications

JAPAN	USA	EU	CHINA
CLASS III	CLASS III	CLASS II b	CLASS III
CLASS IV		CLASS III	

2. ROHM designs and manufactures its Products subject to strict quality control system. However, semiconductor products can fail or malfunction at a certain rate. Please be sure to implement, at your own responsibilities, adequate safety measures including but not limited to fail-safe design against the physical injury, damage to any property, which a failure or malfunction of our Products may cause. The following are examples of safety measures:
 - [a] Installation of protection circuits or other protective devices to improve system safety
 - [b] Installation of redundant circuits to reduce the impact of single or multiple circuit failure
3. Our Products are not designed under any special or extraordinary environments or conditions, as exemplified below. Accordingly, ROHM shall not be in any way responsible or liable for any damages, expenses or losses arising from the use of any ROHM's Products under any special or extraordinary environments or conditions. If you intend to use our Products under any special or extraordinary environments or conditions (as exemplified below), your independent verification and confirmation of product performance, reliability, etc, prior to use, must be necessary:
 - [a] Use of our Products in any types of liquid, including water, oils, chemicals, and organic solvents
 - [b] Use of our Products outdoors or in places where the Products are exposed to direct sunlight or dust
 - [c] Use of our Products in places where the Products are exposed to sea wind or corrosive gases, including Cl₂, H₂S, NH₃, SO₂, and NO₂
 - [d] Use of our Products in places where the Products are exposed to static electricity or electromagnetic waves
 - [e] Use of our Products in proximity to heat-producing components, plastic cords, or other flammable items
 - [f] Sealing or coating our Products with resin or other coating materials
 - [g] Use of our Products without cleaning residue of flux (even if you use no-clean type fluxes, cleaning residue of flux is recommended); or Washing our Products by using water or water-soluble cleaning agents for cleaning residue after soldering
 - [h] Use of the Products in places subject to dew condensation
4. The Products are not subject to radiation-proof design.
5. Please verify and confirm characteristics of the final or mounted products in using the Products.
6. In particular, if a transient load (a large amount of load applied in a short period of time, such as pulse. is applied, confirmation of performance characteristics after on-board mounting is strongly recommended. Avoid applying power exceeding normal rated power; exceeding the power rating under steady-state loading condition may negatively affect product performance and reliability.
7. De-rate Power Dissipation (Pd) depending on Ambient temperature (Ta). When used in sealed area, confirm the actual ambient temperature.
8. Confirm that operation temperature is within the specified range described in the product specification.
9. ROHM shall not be in any way responsible or liable for failure induced under deviant condition from what is defined in this document.

Precaution for Mounting / Circuit board design

1. When a highly active halogenous (chlorine, bromine, etc.) flux is used, the residue of flux may negatively affect product performance and reliability.
2. In principle, the reflow soldering method must be used on a surface-mount products, the flow soldering method must be used on a through hole mount products. If the flow soldering method is preferred on a surface-mount products, please consult with the ROHM representative in advance.

For details, please refer to ROHM Mounting specification

Precautions Regarding Application Examples and External Circuits

1. If change is made to the constant of an external circuit, please allow a sufficient margin considering variations of the characteristics of the Products and external components, including transient characteristics, as well as static characteristics.
2. You agree that application notes, reference designs, and associated data and information contained in this document are presented only as guidance for Products use. Therefore, in case you use such information, you are solely responsible for it and you must exercise your own independent verification and judgment in the use of such information contained in this document. ROHM shall not be in any way responsible or liable for any damages, expenses or losses incurred by you or third parties arising from the use of such information.

Precaution for Electrostatic

This Product is electrostatic sensitive product, which may be damaged due to electrostatic discharge. Please take proper caution in your manufacturing process and storage so that voltage exceeding the Products maximum rating will not be applied to Products. Please take special care under dry condition (e.g. Grounding of human body / equipment / solder iron, isolation from charged objects, setting of Ionizer, friction prevention and temperature / humidity control).

Precaution for Storage / Transportation

1. Product performance and soldered connections may deteriorate if the Products are stored in the places where:
 - [a] the Products are exposed to sea winds or corrosive gases, including Cl₂, H₂S, NH₃, SO₂, and NO₂
 - [b] the temperature or humidity exceeds those recommended by ROHM
 - [c] the Products are exposed to direct sunshine or condensation
 - [d] the Products are exposed to high Electrostatic
2. Even under ROHM recommended storage condition, solderability of products out of recommended storage time period may be degraded. It is strongly recommended to confirm solderability before using Products of which storage time is exceeding the recommended storage time period.
3. Store / transport cartons in the correct direction, which is indicated on a carton with a symbol. Otherwise bent leads may occur due to excessive stress applied when dropping of a carton.
4. Use Products within the specified time after opening a humidity barrier bag. Baking is required before using Products of which storage time is exceeding the recommended storage time period.

Precaution for Product Label

QR code printed on ROHM Products label is for ROHM's internal use only.

Precaution for Disposition

When disposing Products please dispose them properly using an authorized industry waste company.

Precaution for Foreign Exchange and Foreign Trade act

Since concerned goods might be fallen under listed items of export control prescribed by Foreign exchange and Foreign trade act, please consult with ROHM in case of export.

Precaution Regarding Intellectual Property Rights

1. All information and data including but not limited to application example contained in this document is for reference only. ROHM does not warrant that foregoing information or data will not infringe any intellectual property rights or any other rights of any third party regarding such information or data.
2. ROHM shall not have any obligations where the claims, actions or demands arising from the combination of the Products with other articles such as components, circuits, systems or external equipment (including software).
3. No license, expressly or implied, is granted hereby under any intellectual property rights or other rights of ROHM or any third parties with respect to the Products or the information contained in this document. Provided, however, that ROHM will not assert its intellectual property rights or other rights against you or your customers to the extent necessary to manufacture or sell products containing the Products, subject to the terms and conditions herein.

Other Precaution

1. This document may not be reprinted or reproduced, in whole or in part, without prior written consent of ROHM.
2. The Products may not be disassembled, converted, modified, reproduced or otherwise changed without prior written consent of ROHM.
3. In no event shall you use in any way whatsoever the Products and the related technical information contained in the Products or this document for any military purposes, including but not limited to, the development of mass-destruction weapons.
4. The proper names of companies or products described in this document are trademarks or registered trademarks of ROHM, its affiliated companies or third parties.

General Precaution

1. Before you use our Products, you are requested to carefully read this document and fully understand its contents. ROHM shall not be in any way responsible or liable for failure, malfunction or accident arising from the use of any ROHM's Products against warning, caution or note contained in this document.
2. All information contained in this document is current as of the issuing date and subject to change without any prior notice. Before purchasing or using ROHM's Products, please confirm the latest information with a ROHM sales representative.
3. The information contained in this document is provided on an "as is" basis and ROHM does not warrant that all information contained in this document is accurate and/or error-free. ROHM shall not be in any way responsible or liable for any damages, expenses or losses incurred by you or third parties resulting from inaccuracy or errors of or concerning such information.

Mouser Electronics

Authorized Distributor

Click to View Pricing, Inventory, Delivery & Lifecycle Information:

[ROHM Semiconductor:](#)

[BA2901YFV-CE2](#) [BA2903YF-CE2](#) [BA2901YF-CE2](#) [BA2903YFV-CE2](#) [BA2903YFVM-CTR](#)

Компания «Океан Электроники» предлагает заключение долгосрочных отношений при поставках импортных электронных компонентов на взаимовыгодных условиях!

Наши преимущества:

- Поставка оригинальных импортных электронных компонентов напрямую с производств Америки, Европы и Азии, а так же с крупнейших складов мира;
- Широкая линейка поставок активных и пассивных импортных электронных компонентов (более 30 млн. наименований);
- Поставка сложных, дефицитных, либо снятых с производства позиций;
- Оперативные сроки поставки под заказ (от 5 рабочих дней);
- Экспресс доставка в любую точку России;
- Помощь Конструкторского Отдела и консультации квалифицированных инженеров;
- Техническая поддержка проекта, помощь в подборе аналогов, поставка прототипов;
- Поставка электронных компонентов под контролем ВП;
- Система менеджмента качества сертифицирована по Международному стандарту ISO 9001;
- При необходимости вся продукция военного и аэрокосмического назначения проходит испытания и сертификацию в лаборатории (по согласованию с заказчиком);
- Поставка специализированных компонентов военного и аэрокосмического уровня качества (Xilinx, Altera, Analog Devices, Intersil, Interpoint, Microsemi, Actel, Aeroflex, Peregrine, VPT, Syfer, Eurofarad, Texas Instruments, MS Kennedy, Miteq, Cobham, E2V, MA-COM, Hittite, Mini-Circuits, General Dynamics и др.);

Компания «Океан Электроники» является официальным дистрибьютором и эксклюзивным представителем в России одного из крупнейших производителей разъемов военного и аэрокосмического назначения «JONHON», а так же официальным дистрибьютором и эксклюзивным представителем в России производителя высокотехнологичных и надежных решений для передачи СВЧ сигналов «FORSTAR».



JONHON

«JONHON» (основан в 1970 г.)

Разъемы специального, военного и аэрокосмического назначения:

(Применяются в военной, авиационной, аэрокосмической, морской, железнодорожной, горно- и нефтедобывающей отраслях промышленности)

«FORSTAR» (основан в 1998 г.)

ВЧ соединители, коаксиальные кабели, кабельные сборки и микроволновые компоненты:

(Применяются в телекоммуникациях гражданского и специального назначения, в средствах связи, РЛС, а так же военной, авиационной и аэрокосмической отраслях промышленности).



Телефон: 8 (812) 309-75-97 (многоканальный)

Факс: 8 (812) 320-03-32

Электронная почта: ocean@oceanchips.ru

Web: <http://oceanchips.ru/>

Адрес: 198099, г. Санкт-Петербург, ул. Калинина, д. 2, корп. 4, лит. А