

Description: 806-866 MHz 8 dBi 4-Element Yagi, Black, All-Welded, N-female connector

Series: Yagi

PART NUMBER: YA6800W



Features:

- 806-866 MHz
- Gain 8.5 dBi
- N connector
- 4 Elements
- All-Welded Aluminum
- Black Powder Coat
- Wind loading 164 km/h = 100 MPH

Applications:

- Harsh Environmental Conditions
- Highly Directional
- Remote Monitoring / Scada
- Mining, Industrial
- Oil / Gas
- Utility and SmartGrid
- Wastewater, Irrigation
- Municipal / Transportation

All dimensions are in mm / inches

Issue: 1831

In the effort to improve our products, we reserve the right to make changes judged to be necessary.

CONFIDENTIAL AND PROPRIETARY INFORMATION

This document contains confidential and proprietary information of Pulse Electronics, Inc. (Pulse) and is protected by copyright, trade secret and other state and federal laws. Its receipt or possession does not convey any rights to reproduce, disclose its contents, or to manufacture, use or sell anything it may describe. Reproduction, disclosure or use without specific written authorization of Pulse is strictly forbidden.

For more information:

Pulse Worldwide Headquarters
15255 Innovation Drive #100
San Diego, CA 92128
USA
Tel: 1-858-674-8100

Pulse/Larsen Antennas
18110 SE 34th St Bldg 2 Suite 250
Vancouver, WA 98683
USA
Tel: 1-360-944-7551

Europe Headquarters
Pulse GmbH & Do, KG
Zeppelinstrasse 15
Herrenberg, Germany
Tel: 49 7032 7806 0

Pulse (Suzhou) Wireless Products Co, Inc.
99 Huo Ju Road(#29 Bldg,4th Phase
Suzhou New District
Jiangsu Province, Suzhou 215009 PR China
Tel: 86 512 6807 9998



Series: Yagi

Description: 806-866 MHz 8 dBi 4-Element
Yagi, Black, All-Welded, N-female connector

PART NUMBER: YA6800W

ELECTRICAL SPECIFICATIONS

Antenna Type	Yagi-Uda
Frequency	806-866 MHz
Nominal Impedance	50 Ω
VSWR	2:1 Max
Gain	8.5 dBi
Efficiency	85%
Horizontal / Vertical -3 dB Bandwidth	83 ° / 55 °
Horizontal / Vertical Side Lobe Level	-12 dB / -15 dB
Front to Back Ratio	-16 dB min
Polarization	Linear
Power Withstanding	300 W

MECHANICAL SPECIFICATIONS

Overall Length	445 mm
Weight	470 g
Antenna Color	Powder Coat Black
Antenna Material	Aluminum
Connector type	N Female
Fixing System	Pole Clamp
Azimuth Adjustment	360 °

Issue: 1831

In the effort to improve our products, we reserve the right to make changes judged to be necessary.

CONFIDENTIAL AND PROPRIETARY INFORMATION

This document contains confidential and proprietary information of Pulse Electronics, Inc. (Pulse) and is protected by copyright, trade secret and other state and federal laws. Its receipt or possession does not convey any rights to reproduce, disclose its contents, or to manufacture, use or sell anything it may describe. Reproduction, disclosure or use without specific written authorization of Pulse is strictly forbidden.

Series: Yagi

Description: 806-866 MHz 8 dBi 4-Element
Yagi, Black, All-Welded, N-female connector

PART NUMBER: YA6800W

ENVIRONMENTAL SPECIFICATIONS

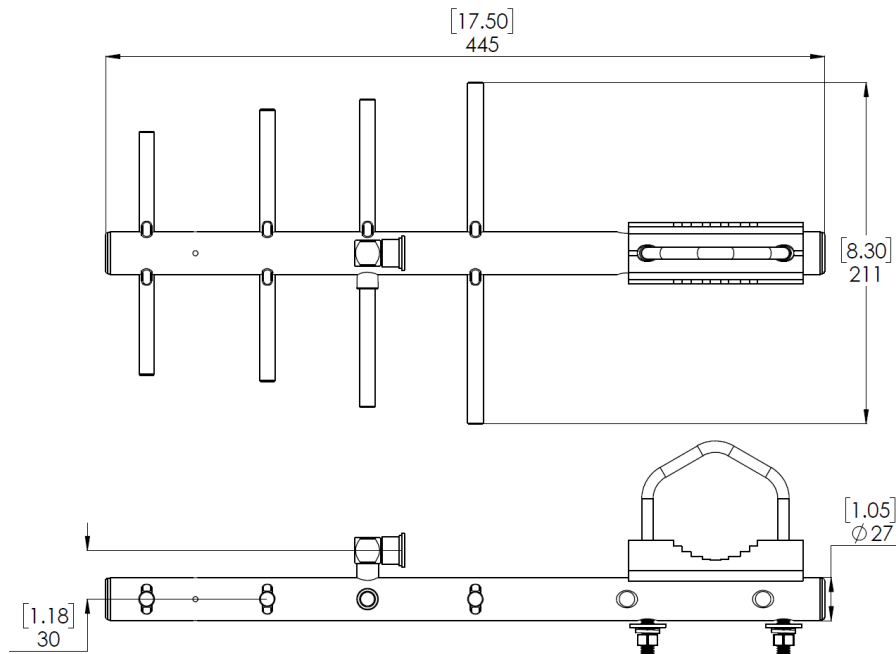
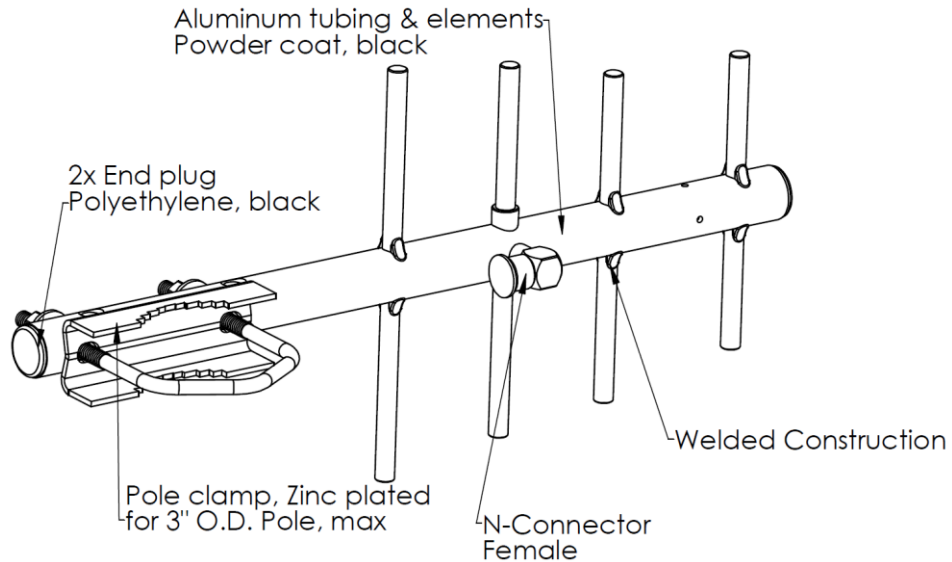
Operating Temperature	-40 to +85 ° C
Storage Temperature	-40 to +85 ° C
Cyclic	-40 to +55 ° C (5 ° C/min)
Wind-loading	164 km/h / 100 mi/h
Humidity	93% @ +30 ° C
Cyclic	95% @ +30 ° C
Rain	15 mm/min (30 min)
Salt Mist	7 Days
Industrial Atmosphere	4 Days
Sinusoidal Vibration Displacement	3 mm - 2/9 Hz
Sinusoidal Vibration Acceleration	10 m/s ² - 9/200 Hz
Random Vibration Level (ASD)	1 m ² /s ² - 10/200 Hz
	0.3 m ² /s ³ - 200/2000 Hz
Shocks	100 m/s ²
Drop Test	1.0 m
RoHS Compliant	Yes

Description: 806-866 MHz 8 dBi 4-Element Yagi, Black, All-Welded, N-female connector

Series: Yagi

PART NUMBER: YA6800W

MECHANICAL DRAWING



Unit: mm [in]

Issue: 1831

In the effort to improve our products, we reserve the right to make changes judged to be necessary.

CONFIDENTIAL AND PROPRIETARY INFORMATION

This document contains confidential and proprietary information of Pulse Electronics, Inc. (Pulse) and is protected by copyright, trade secret and other state and federal laws. Its receipt or possession does not convey any rights to reproduce, disclose its contents, or to manufacture, use or sell anything it may describe. Reproduction, disclosure or use without specific written authorization of Pulse is strictly forbidden.

Series: Yagi

Description: 806-866 MHz 8 dBi 4-Element
Yagi, Black, All-Welded, N-female connector

PART NUMBER: YA6800W

TEST SETUP



Antenna mounted vertically on post with
insulator on driven element facing up

Issue: 1831

In the effort to improve our products, we reserve the right to make changes judged to be necessary.

CONFIDENTIAL AND PROPRIETARY INFORMATION

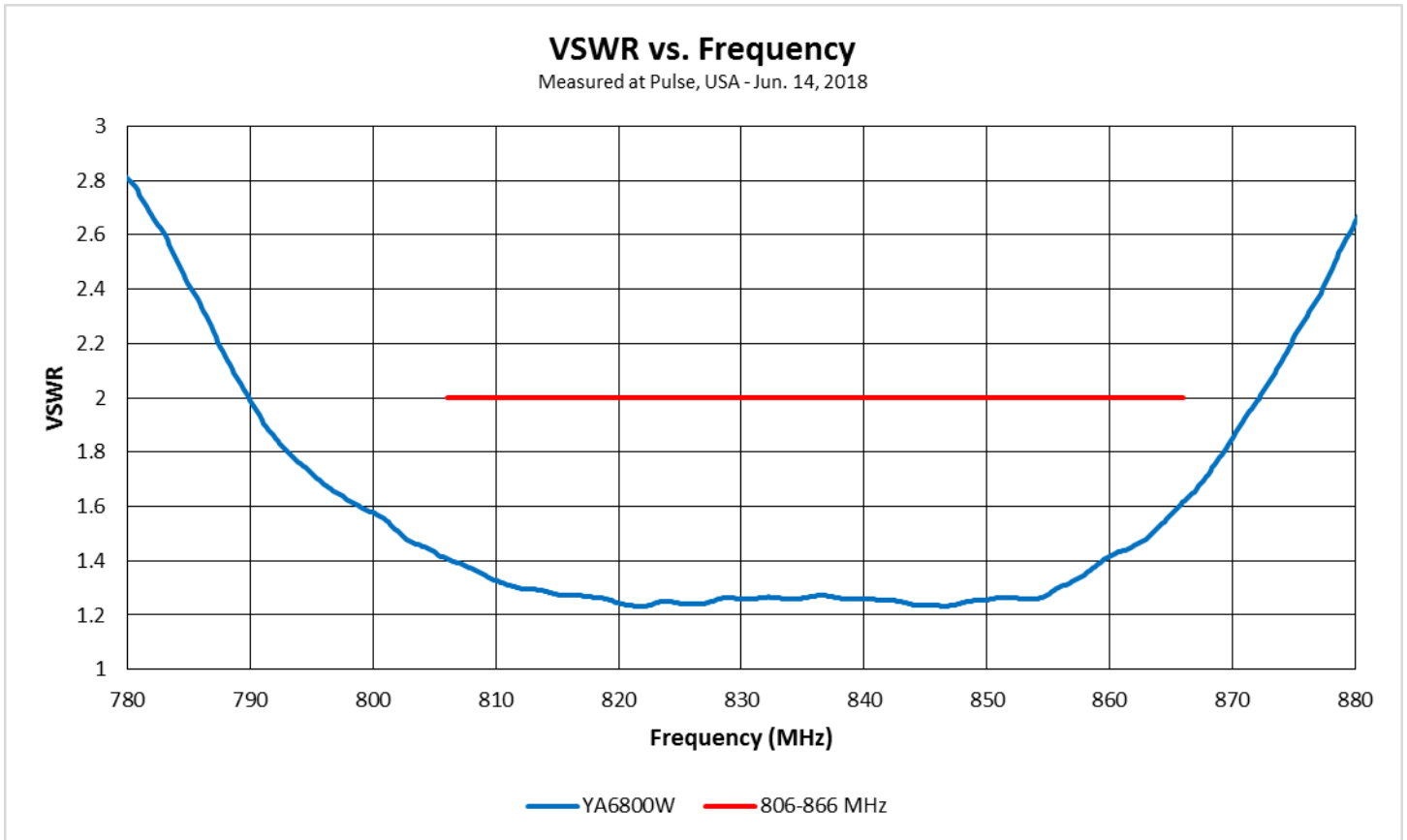
This document contains confidential and proprietary information of Pulse Electronics, Inc. (Pulse) and is protected by copyright, trade secret and other state and federal laws. Its receipt or possession does not convey any rights to reproduce, disclose its contents, or to manufacture, use or sell anything it may describe. Reproduction, disclosure or use without specific written authorization of Pulse is strictly forbidden.

Description: 806-866 MHz 8 dBi 4-Element Yagi, Black, All-Welded, N-female connector

Series: Yagi

PART NUMBER: YA6800W

CHARTS



Issue: 1831

In the effort to improve our products, we reserve the right to make changes judged to be necessary.

CONFIDENTIAL AND PROPRIETARY INFORMATION

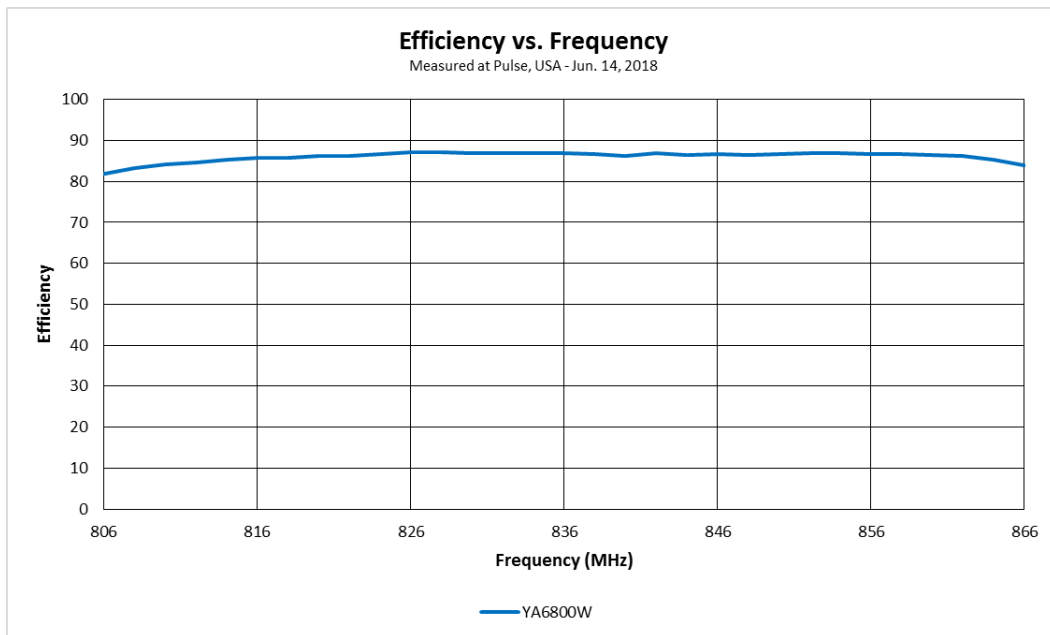
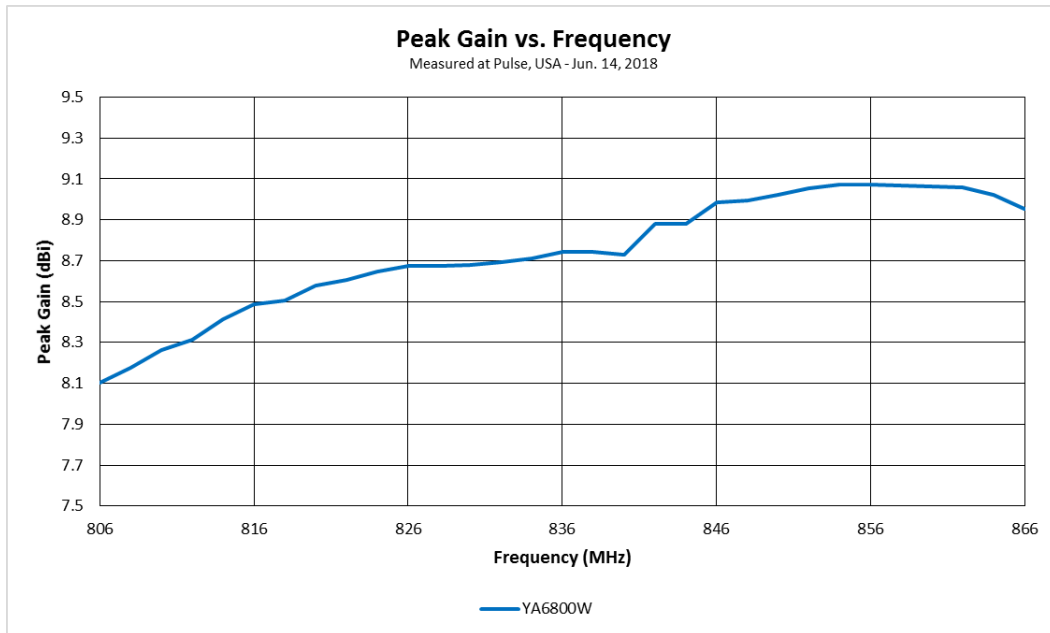
This document contains confidential and proprietary information of Pulse Electronics, Inc. (Pulse) and is protected by copyright, trade secret and other state and federal laws. Its receipt or possession does not convey any rights to reproduce, disclose its contents, or to manufacture, use or sell anything it may describe. Reproduction, disclosure or use without specific written authorization of Pulse is strictly forbidden.

Description: 806-866 MHz 8 dBi 4-Element Yagi, Black, All-Welded, N-female connector

Series: Yagi

PART NUMBER: YA6800W

CHARTS



Issue: 1831

In the effort to improve our products, we reserve the right to make changes judged to be necessary.

CONFIDENTIAL AND PROPRIETARY INFORMATION

This document contains confidential and proprietary information of Pulse Electronics, Inc. (Pulse) and is protected by copyright, trade secret and other state and federal laws. Its receipt or possession does not convey any rights to reproduce, disclose its contents, or to manufacture, use or sell anything it may describe. Reproduction, disclosure or use without specific written authorization of Pulse is strictly forbidden.

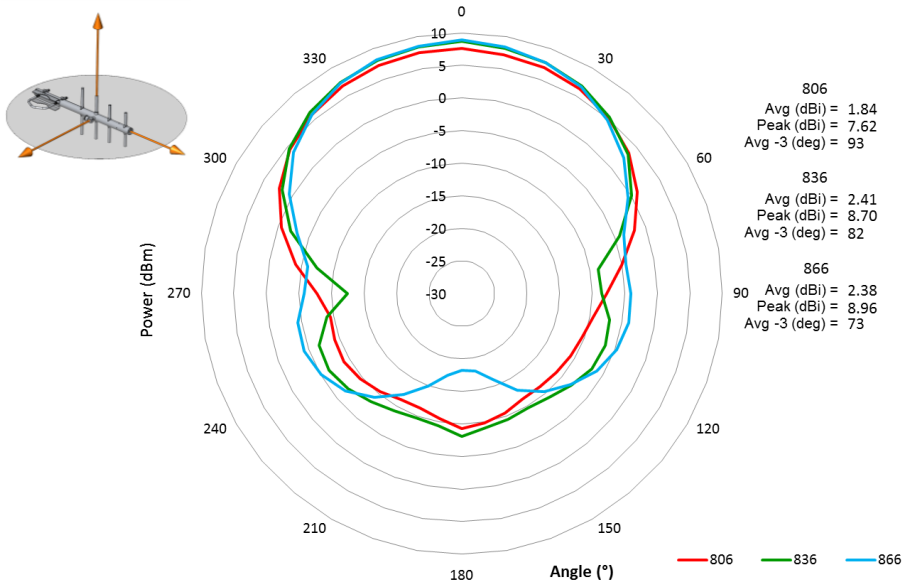
Description: 806-866 MHz 8 dBi 4-Element Yagi, Black, All-Welded, N-female connector

Series: Yagi

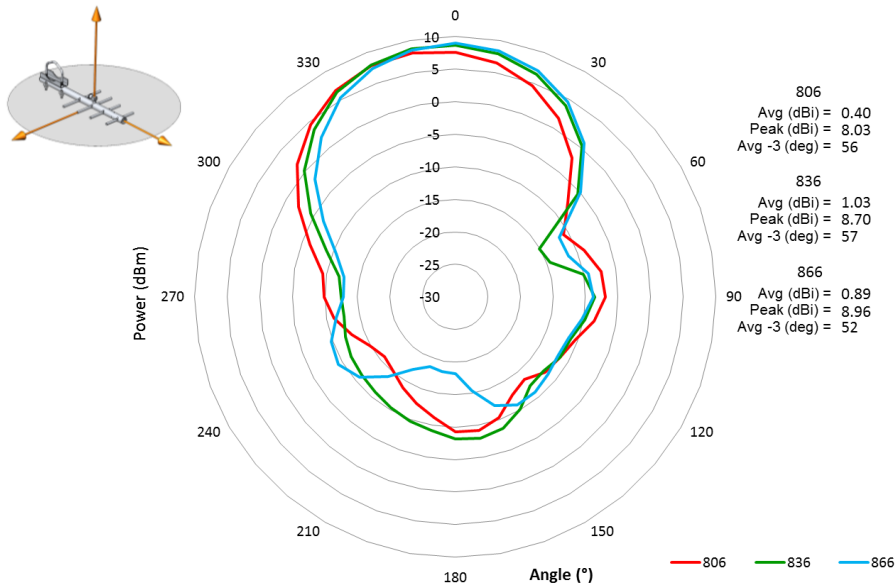
PART NUMBER: YA6800W

CHARTS

Azimuth/Horizontal Plane



Elevation/Vertical Plane



Issue: 1831

In the effort to improve our products, we reserve the right to make changes judged to be necessary.

CONFIDENTIAL AND PROPRIETARY INFORMATION

This document contains confidential and proprietary information of Pulse Electronics, Inc. (Pulse) and is protected by copyright, trade secret and other state and federal laws. Its receipt or possession does not convey any rights to reproduce, disclose its contents, or to manufacture, use or sell anything it may describe. Reproduction, disclosure or use without specific written authorization of Pulse is strictly forbidden.

Description: 806-866 MHz 8 dBi 4-Element Yagi, Black, All-Welded, N-female connector

Series: Yagi

PART NUMBER: YA6800W

PACKAGING

1 cardboard box containing:

- 1 antenna
- 1 cardboard partition
- 1 plastic bag containing:
 - 1 bracket kit
 - 1 instructions for antenna installation
 - 1 warning regarding electrocution hazards
- 1 bag of air

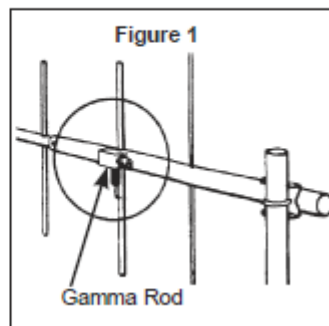
1 label on cardboard box with part number, date code, characteristics

ASSEMBLY

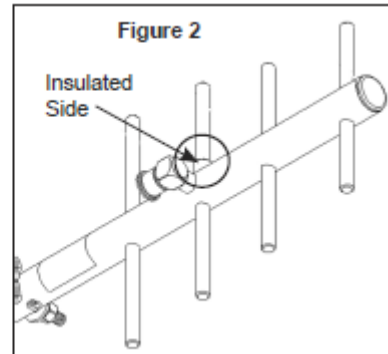
INSTALLATION INSTRUCTIONS

PRE-INSTALLATION

- Larsen Yagis are designed to mount vertically.
- YA3 Series (UHF): Gamma rod must be facing down for weather considerations (see Figure 1).



- YA5 and YA6 Series: The insulated side of the driven element should be facing up (see Figure 2).



Компания «Океан Электроники» предлагает заключение долгосрочных отношений при поставках импортных электронных компонентов на взаимовыгодных условиях!

Наши преимущества:

- Поставка оригинальных импортных электронных компонентов напрямую с производств Америки, Европы и Азии, а так же с крупнейших складов мира;
- Широкая линейка поставок активных и пассивных импортных электронных компонентов (более 30 млн. наименований);
- Поставка сложных, дефицитных, либо снятых с производства позиций;
- Оперативные сроки поставки под заказ (от 5 рабочих дней);
- Экспресс доставка в любую точку России;
- Помощь Конструкторского Отдела и консультации квалифицированных инженеров;
- Техническая поддержка проекта, помощь в подборе аналогов, поставка прототипов;
- Поставка электронных компонентов под контролем ВП;
- Система менеджмента качества сертифицирована по Международному стандарту ISO 9001;
- При необходимости вся продукция военного и аэрокосмического назначения проходит испытания и сертификацию в лаборатории (по согласованию с заказчиком);
- Поставка специализированных компонентов военного и аэрокосмического уровня качества (Xilinx, Altera, Analog Devices, Intersil, Interpoint, Microsemi, Actel, Aeroflex, Peregrine, VPT, Syfer, Eurofarad, Texas Instruments, MS Kennedy, Miteq, Cobham, E2V, MA-COM, Hittite, Mini-Circuits, General Dynamics и др.);

Компания «Океан Электроники» является официальным дистрибьютором и эксклюзивным представителем в России одного из крупнейших производителей разъемов военного и аэрокосмического назначения «JONHON», а так же официальным дистрибьютором и эксклюзивным представителем в России производителя высокотехнологичных и надежных решений для передачи СВЧ сигналов «FORSTAR».



JONHON

«JONHON» (основан в 1970 г.)

Разъемы специального, военного и аэрокосмического назначения:

(Применяются в военной, авиационной, аэрокосмической, морской, железнодорожной, горно- и нефтедобывающей отраслях промышленности)

«FORSTAR» (основан в 1998 г.)

ВЧ соединители, коаксиальные кабели,
кабельные сборки и микроволновые компоненты:

(Применяются в телекоммуникациях гражданского и специального назначения, в средствах связи, РЛС, а так же военной, авиационной и аэрокосмической отраслях промышленности).



Телефон: 8 (812) 309-75-97 (многоканальный)

Факс: 8 (812) 320-03-32

Электронная почта: ocean@oceanchips.ru

Web: <http://oceanchips.ru/>

Адрес: 198099, г. Санкт-Петербург, ул. Калинина, д. 2, корп. 4, лит. А