

## Introduction

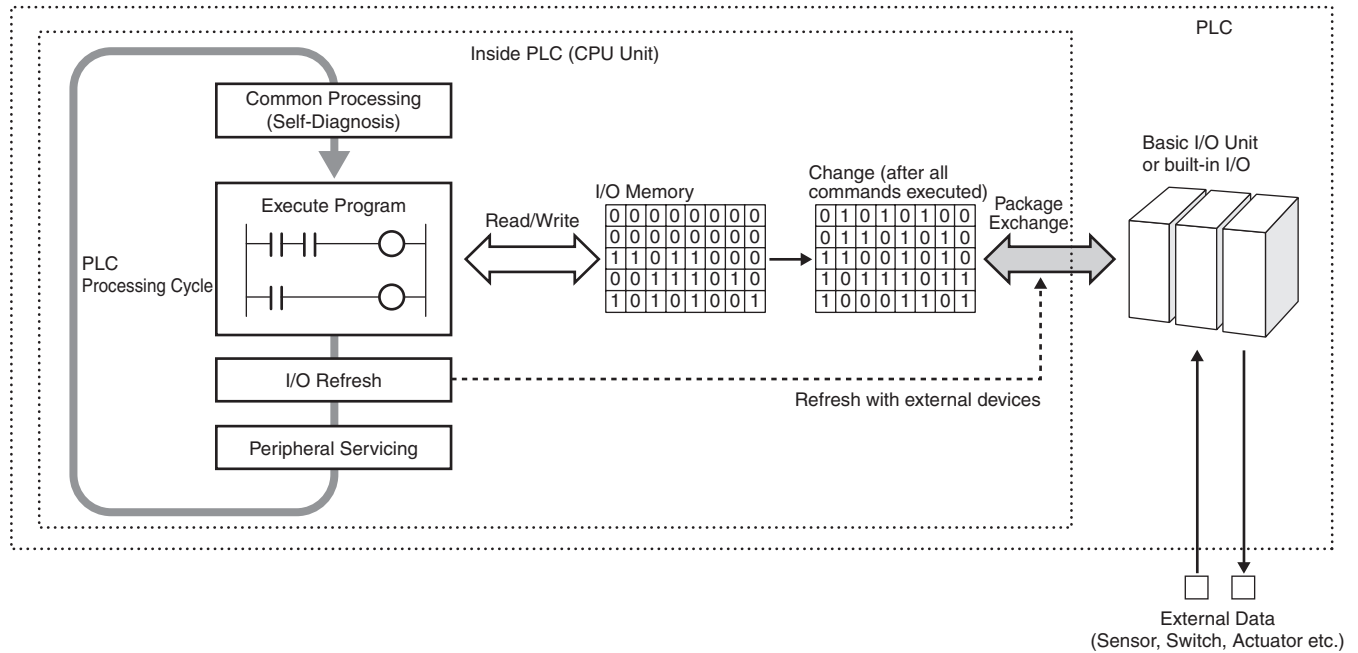
This guide will describe the terminology needed for basic operation of the SYSMAC PLC (Programmable Controller), for clients new to our PLCs. This guide does not cover technical details regarding the setting of the FA System or PLC programming after purchase.

## I/O Refresh

With the PLC (Programmable Controller), commands from user programs designed by the client are executed one by one and processed by reading and writing information in the internal PLC memory area (At OMRON, we call this the "I/O Memory").

At the same time, packages of data from sensors/switches that are directly connected to the basic I/O unit are exchanged with data in the PLC internal I/O Memory, at specific times. This process to totally exchange external data and internal I/O memory data is called "I/O Refresh Operation".

It is important to know the timing by which the I/O Refresh will be executed when considering the operation of the FA System and User Programs designed by the client. In the case of the SYSMAC PLC, this I/O Refresh operation is performed immediately following the execution of all other commands. (See Figure below)



## Cycle Time

In terms of the PLC processing cycle, the cycle time is the time from the execution (commencement) of the I/O Refresh operation to the execution (processing) of the following I/O Refresh.

The cycle time includes time for overhead processing (self-diagnosis), execution of user programs, I/O Refresh processing and the processing of peripheral services.

- When the cycle time is long, the cycle for updating data from outside of the PLC and the I/O response time are also longer, making it impossible to implement changes that are input at a rate faster than the cycle time.
- When the cycle time is short, I/O response time is also shortened, which allows high speed processing.
- As the cycle time changes, the command execution cycle and I/O response times also change.

In the case of the SYSMAC PLC, the cycle time can be requested in the following manner:

$$\text{Cycle Time} = \text{Overhead Processing Time} + \text{Total Command Execution Time} + \text{I/O Refresh Time} + \text{Peripheral Service Time}$$

The calculation methods for each execution time for the SYSMAC PLC are included in the product manual.

# Interrupt Tasks

Normally, user programs are executed in order along with the processing of the I/O Refresh etc., within the PLC processing cycle (See "I/O Refresh").

Interrupt Tasks however are executed in precedence to this processing cycle. In the event that certain interrupt conditions are met, the processing cycle will be suspended and the interrupt tasks will be executed first.

(The SYSMAC PLC sometimes refers to the "Interrupt Tasks" as "Interrupt Programs", but here we shall use "Interrupt Tasks", the terminology used in the CS/CJ Series manuals)

For example, in the case of the CS/CJ Series, Interrupt Tasks can include power Off interrupt, Scheduled Interrupts, I/O Interrupts, Periodic Interrupts based on the internal timer, and External Interrupts.

Major Interrupt Tasks	Details
Power Break Interrupt Tasks	Executed during a power break.
Scheduled Interrupt Tasks	Executed based on a specific schedule.
I/O Interrupt Tasks	Executed at the start-up of a connected Interrupt Input Unit.
External Interrupt Tasks	Executed when requests are received from the Special I/O unit, the CPU Bus Unit, and the INNER Board (only for CS Series).

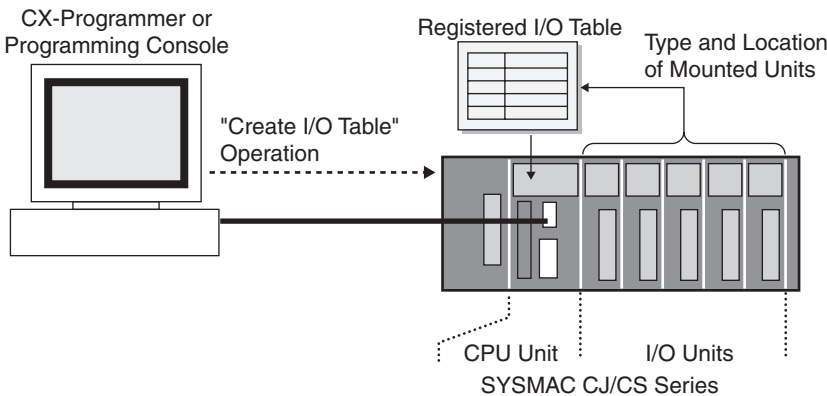
# I/O Allocation

In order for user programs to utilize I/O signals from the I/O Units mounted to the PLC, it is necessary to first assign an address within the PLC I/O Memory.

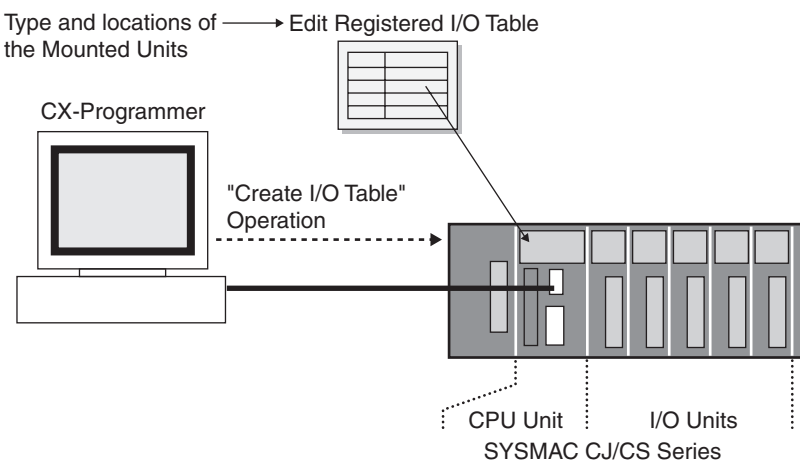
The assignment of I/O Memory to the input or output from these units within the PLC is known as I/O Allocation. The CPU Unit uses this I/O Allocation information in the operation of I/O Refresh with connected units.

In the case of SYSMAC PLC, this I/O Allocation information is recorded in the PLC in the "Registered I/O Table". This "Registered I/O Table" can be created by either automatically registering online with programming tools utilizing information from the unit built-in to the PLC, or by using programming tools to design offline and then automatically registering by transmitting the I/O table to the PLC. (Some devices may not require the creation of a Registered I/O Table, and others may not support the offline design of I/O Tables.)

## ● Online Automatic Registration



## ● Offline Automatic Registration



# CPU Unit Memory Area

---

The PLC Unit utilizes a variety of different data including user programs, I/O Memory data and comments, CPU Unit and Special I/O units Parameters, and Registered I/O Table information etc.

All of this data that is used by the PLC is stored in the memory area within the CPU unit.

The SYSMAC PLC has the following types of Memory Areas, which is backed up by a battery.

In the case of the SYSMAC CS/CJ Series, the content of the Memory Area is backed up using flash memory, which means that even if battery power fails, any user programs and parameter area data will not be lost.

## ● User Program Area

This records user programs designed by the client.

## ● I/O Memory Area

This Area is accessed by command operands. It records information such as the CIO, Internal I/O Area, holding area, auxiliary area, DM Area, EM Area, Timer Completion Flags/Present Value, Completion Flag/Present Value, Task Flags, Index Register, Data Register, Condition Flags, Clock Pulse, etc. The data in the I/O Memory Area locates in or is in areas in which the contents are cleared every time the power is turned back on, and areas in which prior information is retained. (In some areas you can select whether to clear or retain.)

## ● Parameter Area

This contains all of the information regarding initial parameters used by the PLC.

It records information such as the PLC System Parameters, Registered I/O Table, Routing Table, and PLC Setup for CPU Bus unit.

## What is the OMRON PLC-based Process Control?

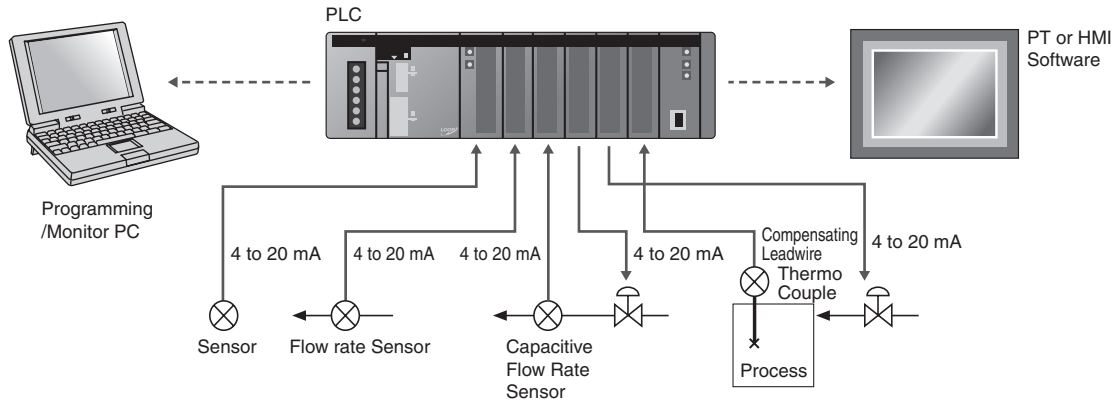
OMRON PLC-based Process Control system is based on the SYSMAC CS/CJ PLC Series. By adding PLC-based Process Control units to the basic system configuration, PLC process control functions can be simply added on to the basic functions already installed in the PLC. Thus, it can be used for devices that it is compatible with such process control system in which DCS was used before or devices in which several controllers were used combined.

With the PLC Installation System, analog processing is carried out by the loop control section or the loop control unit/board (hereafter "loop controller"), and ladder processing is handled by the CPU. Communication between the two sections is made using bits of memory. Since the analog processing and ladder processing can be completely separated and the program is more simple than a ladder only program, the engineering process to construct the system is facilitated.

## System configuration of PLC-based process control

The loop controller does not have an external analog I/O or an external contact I/O function.

It is used together with such a unit that has the interface function including an analogue I/O unit, as shown in the diagram below.



Also, when programming, in addition to the programming software for the CPU Unit (CX-Programmer, additional programming software (CX-Process) will be required to create Function block data. And in order to monitor and alter settings during operation, a HMI section will also be required, in combination with the application in use.

<b>Program Creation Section</b>		Operation/Display Screen Creation Control Block/Sequence Creation	CX-Process Tool CX-Programmer
<b>HMI Section</b>	<b>Application Section</b>	Batch management, brand management, remote surveillance (Web) Data gathering, data analysis	Third Party Products etc
	<b>Operation/Display Section</b>	Meter screen, graphics screen, trends, Warning history, operational history, operational guide	CX-Process Monitor Plus NS Series etc.
<b>Control Section</b>	<b>Loop Control Section</b>	Function Block (FBD), Sequence Table, Step ladder	Loop Controller (Loop Control Board/Unit or Process CPU/Loop CPU) Loop Control Section
	<b>Sequence Control Section</b>	Ladder, FB (Ladder/ST Language)	CS/CJ Series CPU
<b>Signal I/O Section</b>		Analog I/O, Digital I/O, Pulse Input	Process/Analog I/O Unit Digital I/O Unit etc.
<b>Signal Conversion (Signal Conditioner)</b>		Temperature, Current/Voltage, Isolator, Pulse, Distributor	
<b>Field Device</b>		Sensor, Actuator	

## Introduction

In order to ensure the reliability and security of the system, prior to the design of the system it is important to make certain that the conditions in which it will be installed is well understood.

Basically, the stresses on the PLC system (temperature, humidity, vibrations, shocks, corrosive gases, overcurrent, noise etc.) need to be reduced as much as possible. However, the extent to which measures need to be taken in this regard will depend upon the likelihood of problems arising, the conditions in which the system is installed, and the cost of implementing measures. By taking advanced measures to prevent problems, the reliability of the system can be improved, and in the long-term the operation rate can also be increased.

For the individual specifications of each unit, please see the respective user manuals.

## Installation/Conditions of PLC Control Panel

The following describes the environmental conditions and measures to be taken for the installation of the PLC control panel (hereafter, "the panel")

### Temperature

Based on the operating temperature of the element parts of the PLC, the operating temperature for the system is generally between 5°C and 40°C. At the same time, with both forced and natural cooling of the panel, the fact that it is miniaturized to save space means that from our experience the temperature of the panel is sometimes 10°C to 15°C higher than the ambient temperature of the room. As such, it is important that the following measures be taken depending on the installation site and the temperatures being generated to make certain that the panel's internal temperature does not exceed the range of the unit operating temperature, and to provide a sufficient margin for the range of operating temperature.

#### High Temperature (see Figure 1)

##### ① Natural Cooling (Natural draft at the top and bottom of Panel)

When installing the panel, it is optimal not to make use of cooling devices such as fans and coolers. The following are important points in the installation of the PLC.

- Do not install in the upper part where the warm air in the panel stagnates
- In order to ensure ventilation space, maintain a sufficient distance from other machinery, wiring ducts etc around the panel
- Do not install in positions other than those specified (for example upside down), which can lead to the generation of abnormal heat within the PLC
- Do not install directly above devices that generate heat such as heaters, transformers and high-capacity resistors etc.
- Avoid direct sunlight

##### ② Forced Ventilation (forced ventilation by use of a fan directly mounted at Top of Panel)

##### ③ Controlled Circulation (controlled circulation by means of a fan in the airtight enclosure panel)

##### ④ Full Room Cooling (Use a cooler to cool the entire room in which the panel is installed)

### (Notes)

Environmental conditions and cooling system should be as follows.

- Panel installed in room with low dust → ① or ②
- Panel installed in room with dust → ③ or ④

When using a fan

- Attach an air filter to the suction mouth to prevent the entry of dust
- Periodically wash the air filter in water.
- Temperature sensors should be attached near the PLC to emit an alarm in the event that the fan or air conditioner break down etc.

### Low Temperature

In cold areas where the morning temperature falls below 0°C at the time of start-up, attach a small space heater inside the panel to heat the internal temperature to about 5°C. In order for the PLC power supply to generate heat, don't turn off the power.

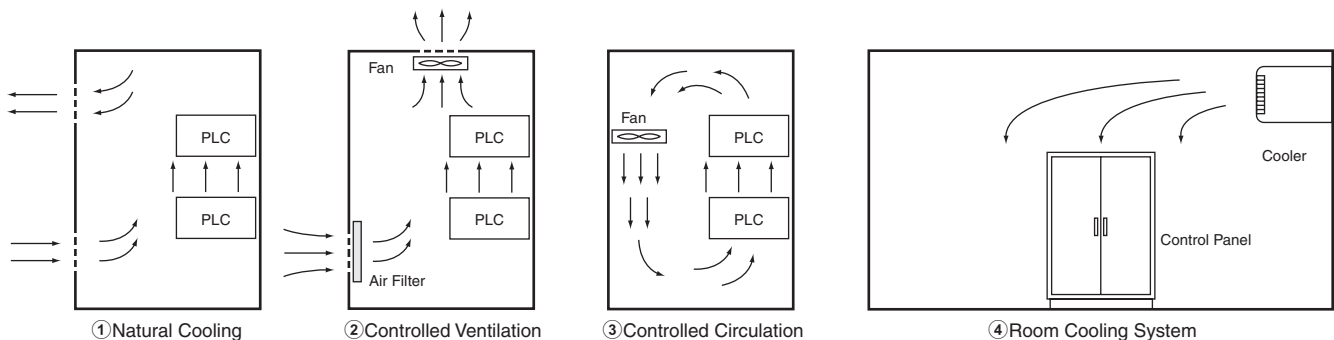


Figure 1. Cooling Board

## ■Humidity

In order to maintain the insulating properties of the PLC, relative humidity should be kept within the range of 35% to 85%. In particular in the winter, when heaters are turned on and off, sudden changes in temperature may be experienced resulting in condensation which can lead to shorts or malfunctions. Where there is danger of such a change in temperature, power should be kept on during the night and condensation should be prevented through such measures as installing a small heater inside the panel to maintain low heat.

(See Figure 2)

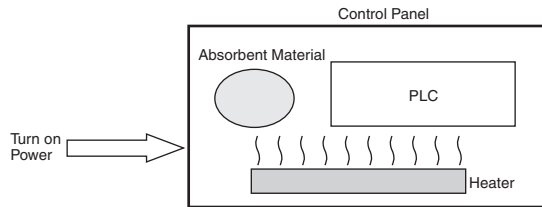


Figure 2. Examples of Measures against Condensation

## ■Vibrations/Shocks

The PLC is tested in accordance with the environmental (electricity and electrons) the sine wave vibration test method (JIS C0040/IEC68-2-6) and the shock test method (JIS C0041/IEC68-2-27), so that vibrations and shocks in the general specifications will not cause malfunctions. However, the system should not be installed in a place where it will be subject to regular vibrations or shocks, especially to the PLC and the panel.

The following methods may be used to reduce the effect of vibrations and shocks.

- ① For vibrations and shocks that originate externally, the panel should be removed from the source. Alternatively, the PLC and the panel should be protected with the use of rubber.
- ② Isolate vibrations such as through the construction of the building, flooring etc.
- ③ Regarding shocks experienced during magnetic contactor operation in the panel, the source of the shock or the PLC should

be protected by rubber so that the shock is not felt.

## ■Atmosphere

When using the system in any of the following kind of places, connections may be loosened or elements and parts may experience corrosion, and an air purge should be implemented to avoid this.

- ① Places where dust, salt, particles, soot or organic solvents etc are common, and where the enclosure is sealed in such a way that the internal temperature does not increase very much.
- ② Where corrosive gases are common, an air purge (air purification) of the panel should be performed, to pressurize the panel and prevent the intrusion of air from outside.
- ③ Places with flammable gases may be a cause of ignition. The system should not be used without a fire prevention mechanism in place.

## ■Work Space

When installing the PLC and the panel, please consider their use, operability and maintenance, and pay particular attention to the following.

- ① Make sure that there is sufficient space to operate programs and to replace the unit. Further, for the sake of safety and maintenance, installation should be as far as possible from high pressure or high power devices.
- ② Mount the PLC and I/O unit in a position in which the use of the debugging tool and the connection and operation of peripheral devices will be possible.
- ③ The PLC and I/O unit generally has a maintenance light, and this should be easy for the operator to see, and in a position where it can easily be reached.
- ④ For systems using the PLC as a control system, it is likely that there will be future additions and alterations to the system, so approx. 10-20% extra space should be allowed for this.
- ⑤ Where necessary, about 600 mm of space should be kept behind the panel for the purpose of performing maintenance.

## PLC Control Panel Electrical Conditions

The power supply, grounding, and noise make up the main elements of the electrical conditions. In the installation and wiring of the device, great care must be taken to ensure that there is no danger to the human body, and that electrical signals are not obstructed (noise).

### ■PLC Installation Site

For the sake of safety in maintenance and operation, installation should not be near high current (more than 600V) or high power devices. Where this cannot be avoided, installation should be as far away from such devices as possible. (See Figure 3)

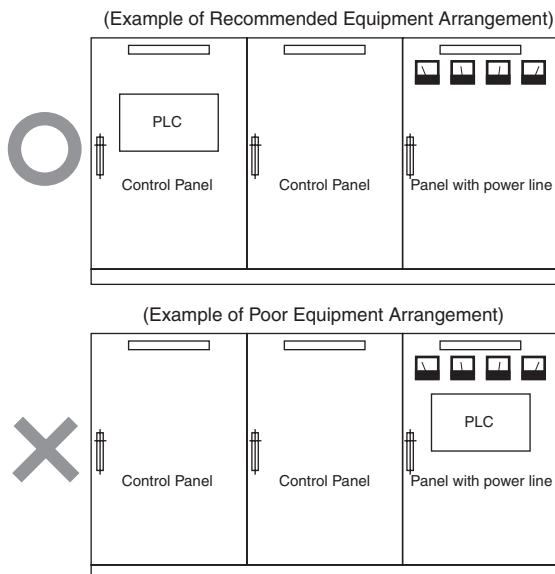


Figure 3. Examples of Equipment Arrangement in Panel with High-voltage Device

### ●Arrangement of PLC and Each Unit (See Figure 4)

- ① The CPU and other adjoining units should be special or input units where noise generation is limited.
- ② The coils and contacts in electromagnetic contactors and relays in an external circuit are sources of noise. Locate them at least 100 mm away from the PLC.

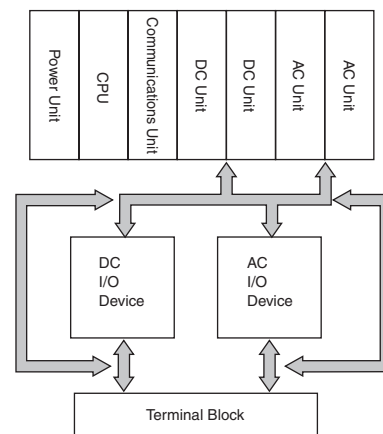


Figure 4. Example of built-in type

## ■Power System Wiring (See Diagram 5)

- ① The power supply for the PLC and I/O devices should be separate, and a noise filter should be installed to the PLC power supply.
- ② Noise between the PLC and the ground can be greatly reduced by adding an isolating transformer. In such an event, do not ground the secondary coil of the transformer.
- ③ Keep the wiring between the transformer and the PLC as short as possible, twist the wires well, and keep the wiring separate from high-voltage and power lines.

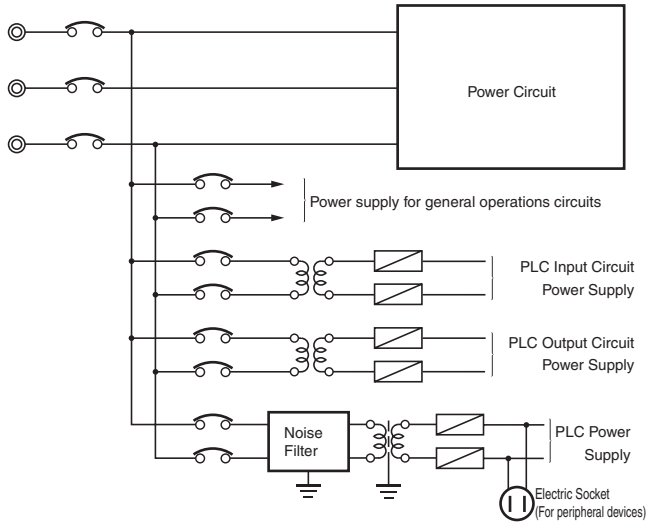


Diagram 5. Power Supply System Diagram

## ■Wiring External I/O Signal Lines

- ① To absorb reverse electromotive force when an inductive load is connected to an output signal, connect a surge protector near the inductive load in an AC circuit, and connect a diode near the inductive load in a DC circuit. (See Diagram 6 and 7)

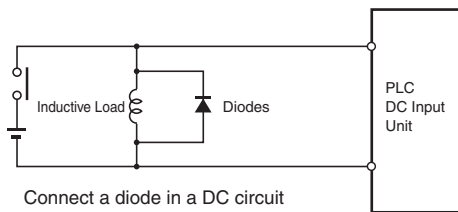
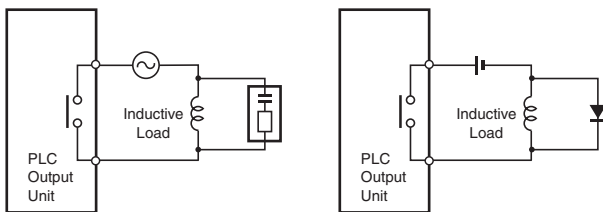


Diagram 6. Input Signal Noise Countermeasures



Affix surge protector for AC circuits

Affix diodes for DC circuits

Diagram 7. Output Signal Noise Countermeasures

- ② The output signal line should not be near or parallel with high current or power lines. When nearby, they should be separated by a duct, and an alternative wiring pipe should be established. In this event, the duct and wiring pipe must be grounded. (See Figure 8)

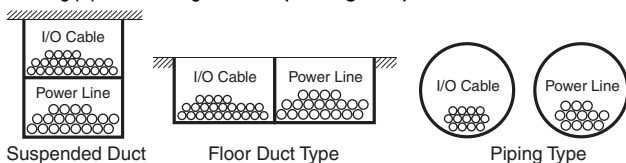


Figure 8. I/O Cable Wiring

- ③ Connect the shield to the ground terminal at the PLC, and leave it unconnected at the input device.
- ④ Wire the lines so that common impedance does not occur. Such wiring will increase the number of wires, so use common return circuits. Use thick wires with sufficient allowance for the return circuits, and bundle them with lines of the same signal level.
- ⑤ For long I/O lines, wire the input and output signal lines separately.
- ⑥ Use twisted-pair wires for pilot lamps (and particularly lamps with filaments).
- ⑦ Using a CR surge absorber or diode etc is effective in reducing noise sources from input devices or output load devices.

## ■External Wiring

The wiring method can have a large impact on creating a system that is strong against noise and a system that can operate with a high degree of reliability. Wiring, and noise countermeasures in particular, are based on experience, and it is necessary to closely manage wiring based on experience and information in the manuals.

### ●Preventing Faulty Wiring

- ① By attaching marker bands to cables showing their direction, faulty wiring can be prevented, and wiring checks and maintenance can be facilitated.
- ② Use different colors during wiring.
- ③ Place wires that transmit the same kind of signal into the same ducts, and separate them into groups.

### ●General Precautions

- ① Do not join wires between terminals.
- ② Support and fix the power line so that its end does not pull at the ends of multi-conductor cable.
- ③ Use flexible wires for the movable places such as doors etc. Install them one part on the panel body and the other on the door so that they may not be damaged by the movement of a door.
- ④ Connect crimp terminals to the end of the wire and use a torque driver for connection to the terminal, and screw in at an appropriate pressure. For terminal connection to an AC power unit, a round-type crimp terminal should be used instead of a U shaped terminal, for safety purposes.
- ⑤ The dust protection cover attached to the PLC unit should be kept in place until the wiring is completed to prevent dust from the wiring from entering. Further, as the internal temperature will increase greatly when the unit is in operation, the dust protection cover should be removed once wiring is completed to prevent loss in functionality.
- ⑥ All wiring for the power circuit should be twisted.
- ⑦ The primary or secondary noise filter should not be bundled, as this reduces its effectiveness.

## ● Wiring Route

For the following combination, since signal types, properties, or levels of the signal differs, in principle different cables should be used or different routes should be used. Otherwise, the S/N (signal-to-noise ratio) resulting from electrical induction can fall. Also, by classifying and arranging the wiring, later maintenance or system changes can be simplified.

- ① Power lines and signal lines
- ② Input and output signals
- ③ Analog and Digital Signals
- ④ High level and low level signals
- ⑤ Communication lines and Power line
- ⑥ DC signals and AC signals
- ⑦ High frequency apparatus (inverters etc.) and signal lines (communication)

## ● Wiring Method

- ① Isolate signal cables with different characteristics when routed in the same duct.
- ② Routing more than one power line in the same duct should be avoided as much as possible. Where this cannot be avoided, place a partition in the duct and ground it. (See Figure 9)

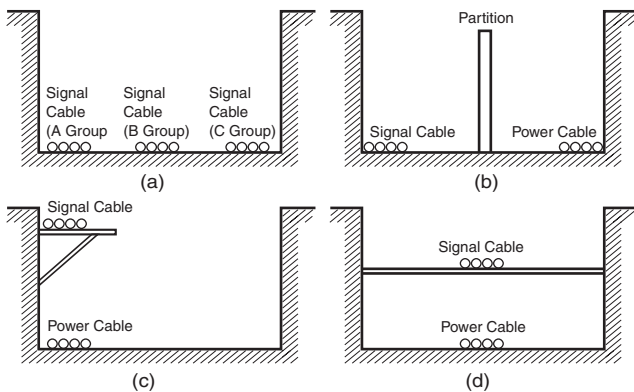


Figure 9. Isolating Signal and Power Cables

- ③ When using conduits in the course of wiring, the wires from one circuit should not place wires for a single circuit in separate conduits as the pipes heat up. (See Figure 10)

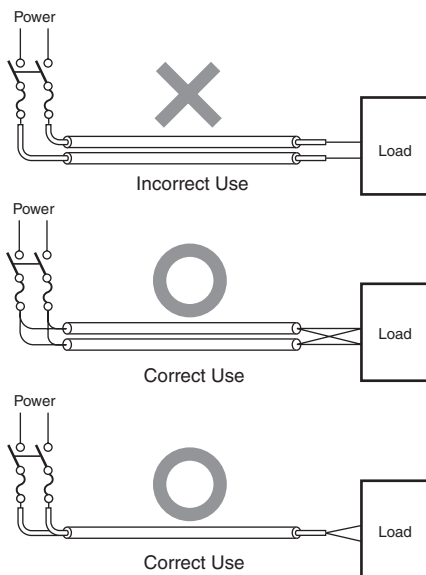


Figure 10. Parallel use of Electrical Wires (single phase)

- ④ Do not install power cables and signal cables in parallel as they will adversely affect each other.
- ⑤ When high-voltage devices are installed in the panel, due to noise, this should be separated as much as possible from high voltage and power lines when wiring. (See Figure 3)
- ⑥ Install the PLC at least 200 mm from any high voltage or power lines, or make sure that the high current and power lines are contained within metal tubing, and ground to a resistance of 100 W. (See Figure 11)

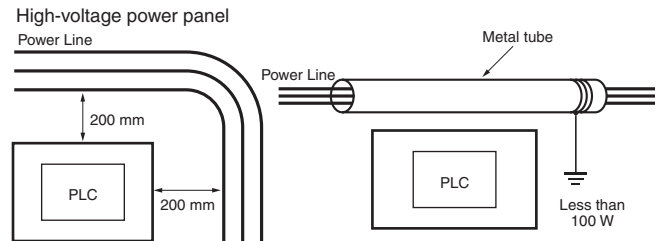


Figure 11. Example of Isolating PLC from Power Line

## ● Other Precautions

- ① I/O modules have plus and minus commons, so be careful of polarity when wiring.
  - ② The outside of a fibre optic cable looks similar to a regular communication or power cable, but inside the cable there is the fibre and protective tension members and separators, so care should be taken when using them. Installation should be performed by the prescribed or standard methods, and care should be taken to not apply excessive shock, bend, twist, or excessive pulling.
- The following manuals have been prepared for wiring using fiber optic cables.

- ① **SYSMAC C/CV Series Hard Plastic Clad Fiber Manual for laying Fibre Optics Cables (H-PCF) (Manual No. W156-E1)**
- ② **Controller Link Unit Fibre Optical Ring User Manual (Manual No. W370-E1)**

## ■ Grounding

### ● Purpose of Grounding

There are two purposes for grounding.

- ① Protective grounding which prevents electrocution to people by maintaining a grounding against leakage, induction and occasional accidents.
- ② Grounding, including that to prevent external noise or noise which emanates from other devices or equipment, or noise that could disturb other devices or equipment, and that is necessary to protect device and system functions.

These grounding issues may need to be resolved through experience and experimentation. It is important to take great care and consideration before performing the grounding.



## ● Grounding Method and Precautions

### (1) Principles of One-point Grounding

It would be best to consider that it is grounding that "determines electrical potential". Do not use common return circuits to return currents for grounding. Under normal conditions, do not send current through grounding lines (Do not use common return circuits to return currents for grounding.).

#### (2) As much as possible use independent ground (keep grounding pole at least 10m away from other grounding poles).

- ① Use Ground to 100 W or less, and use independent ground which is separated from the grounding of other devices (See Figure 12 (a))
- ② If using an independent ground is not possible, then use a common ground as shown in Figure 12 (b). Connect to the ground pole of the other device.
- ③ Never connect to the same ground as a device that draws a large amount of power, such as a motor or inverter. Ground the devices separately to avoid mutually adverse influences.
- ④ To prevent electrical shock, do not connect to ground poles (especially steel frames) to which multiple devices are connected.
- ⑤ As much as possible keep the grounding pole close to the PLC, and keep the grounding line short.

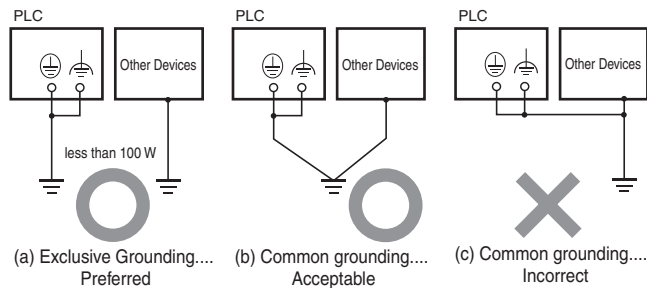


Figure 12. Grounding Methods

### (3) Grounding Precautions

- ① If the same ground is used for both the signal lines and the enclosure, isolate the channel base (a grounded metal plate inside a control panel) with an insulating material. (See Figure 13)

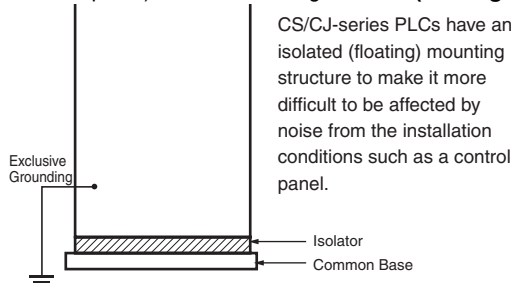


Figure 13. Example: Insulating and Grounding an Enclosure

- ② The panel which contains the PLC must be insulated from other electrical devices. This is to prevent the effect of the leakage of current from other electrical devices.
- ③ When there is high frequency equipment nearby, please be sure that the panel which holds the PLC is grounded, in addition to the high frequency equipment.

- ④ When grounding the shield conductor in the event of shielded cable used in the wiring of input and output, connect the shield near the PLC to the enclosure ground terminal, as shown in Figure 14. For communication cables, please be sure to maintain shield processing in the communications unit manual.

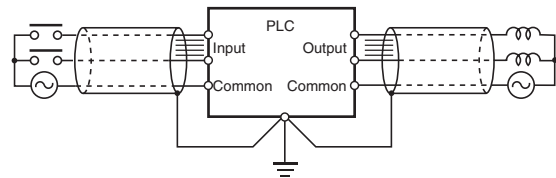


Figure 14. Shield Cable Grounding

### (4) PLC Protective Ground Terminal

The PLC contains the following two ground terminals.

- ⊕ : Protective ground terminal that is always connected to the PLC chassis for the prevention of electric shock.
- ⊕ : Functional ground terminal: Connected to a neutral point in the noise filter to provide a ground when power supply noise causes malfunctioning.
- ⊕ When properly grounded, the terminals will serve to reduce common mode noise from the power supply, but sometimes the grounding can result in picking up more noise, so care should be taken when using the terminals.

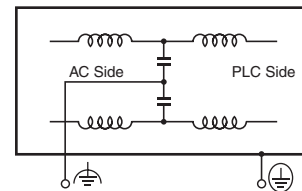
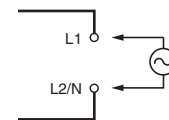


Diagram 15. PLC Grounding Terminal

- (5) Grounding for AC Power Supply Units When wiring to an AC Power Supply Unit. If one power supply phase of the equipment is grounded, always connect the grounded phase to the L2/N (or L1/N) terminal.



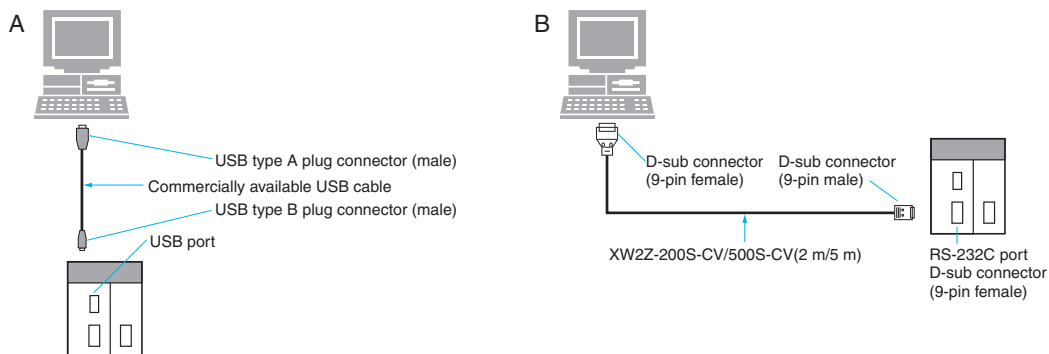
## Bibliography

- ① Programable Controller Maintenance/Inspection Handbook May 2002 NECA
- ② SYSMAC CS Series User Manual Setup Edition

# Connecting a Computer Running Support Software (e.g., CX-Programmer) to a PLC

CSM\_Connecting\_PL\_CG\_E\_8\_1

## Connecting Cables for CJ2

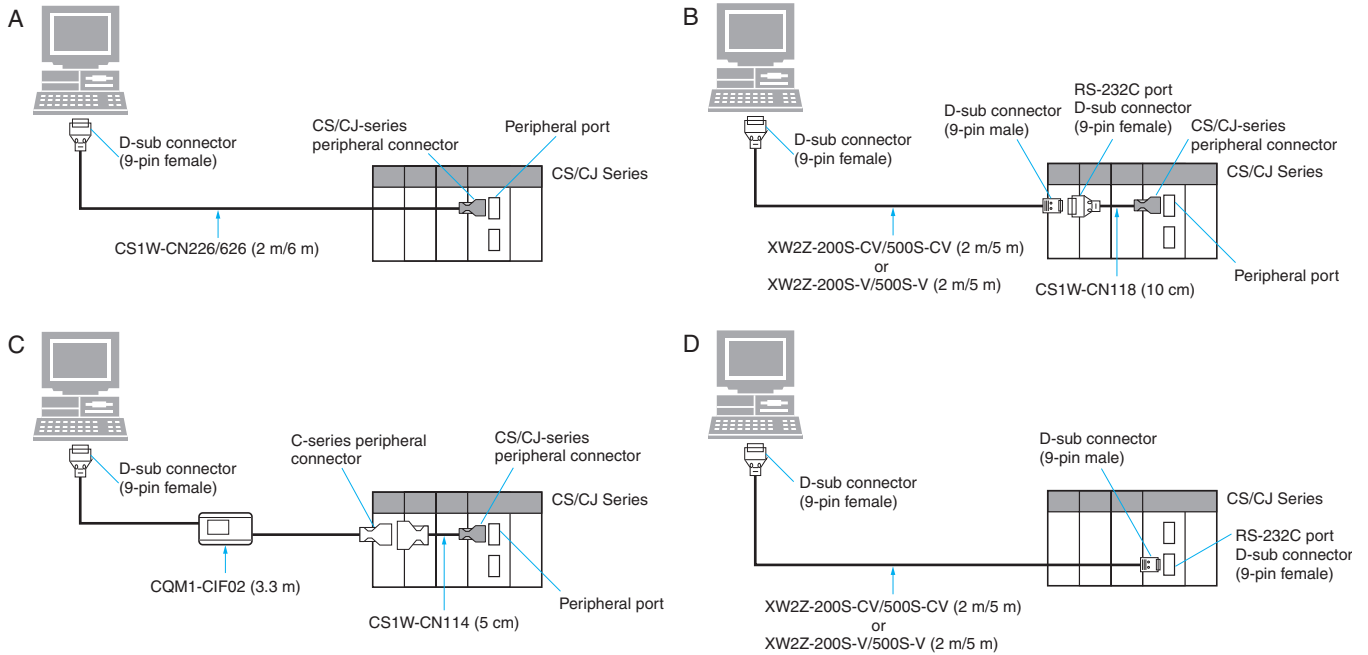


	Computer	Unit	Unit port	Network Type (Serial Communications Mode)	Model	Cable length	Connection Types
	PC port		Unit port				
PC/AT compatible	USB A plug connector (female)	CPU Unit	USB B plug connector (female)	USB or Toolbus (USB port)	Commercially available USB cable * (A plug connector (male) - B plug connector (male))	5 m maximum	A
	D-sub, 9-pin (male)		Built-in RS-232C port D-sub, 9-pin (female)	Host Link	XW2Z-500S-CV	5 m	B
					XW2Z-200S-CV	2 m	

\* A driver must first be installed to make a USB connection.

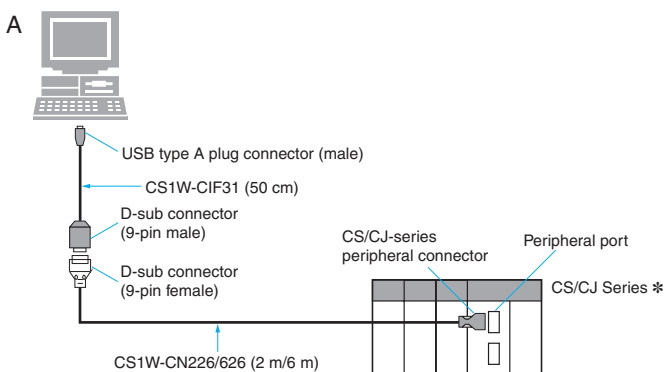
# Connecting a Computer Running Support Software (e.g., CX-Programmer) to a PLC

## Connecting Cables for CS1/CJ1



Computer	PC port	Unit	Unit port	Network Type (Serial Communications Mode)	Model	Cable length	Connection Types
PC/AT compatible	D-sub, 9-pin (male)	CPU	Built-in peripheral port	Peripheral bus or Host Link	CS1W-CN226	2 m	A
					CS1W-CN626	6 m	
				Host Link	CS1W-CN118 + XW2Z-200S-CV	0.1 m+2 m	B
					CS1W-CN118 + XW2Z-500S-CV	0.1m+5 m	
				Host Link with a baud rate of 19.2 kbps or less	CS1W-CN118 + XW2Z-200S-V	0.1 m+2 m	C
					CS1W-CN118 + XW2Z-500S-V	0.1 m+5 m	
			Built-in RS-232C port D-sub, 9-pin (female)	Peripheral bus or Host Link	XW2Z-200S-CV	2 m	D
					XW2Z-500S-CV	5 m	
				Host Link	XW2Z-200S-V	2 m	
					XW2Z-500S-V	5 m	

## Reference: USB-Serial Conversion Cable (CS1W-CIF31)



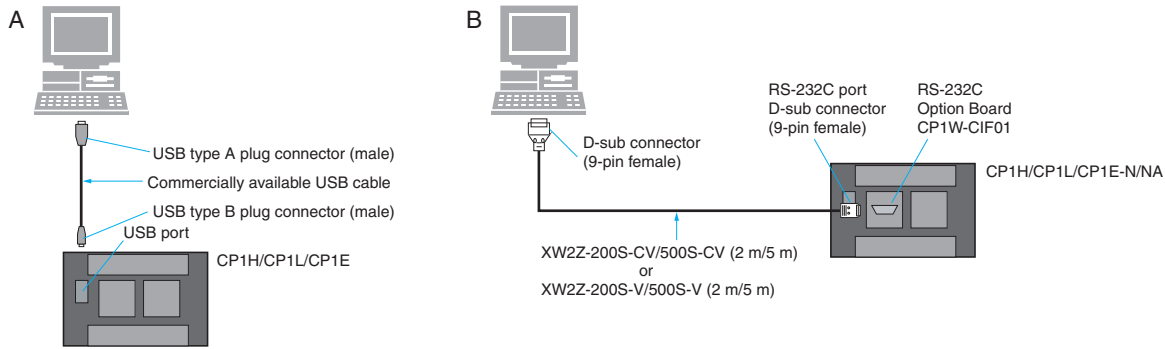
Computer	PC port	Connecting Cable	Cable port	Network Type (Serial Communications Mode)	Model	Cable length	Connection Types
PC/AT compatible	USB A plug connector (female)	-	RS-232C D-sub, 9-pin (female)	Depends on the Unit's specifications.	CS1W-CIF31 *2	0.5 m	A

\*1. Applicable models: CS/CJ Series, C Series (C200HS, C200HE/G/X, C200H, C1000H, C2000H, CQM1, CPM1, CPM1A, CPM2A, CQM1H, and CPM2C), CVM1/CV Series, NS Series, NT Series, SRM1, and ZEN.

\*2. A separate cable is required to connect to the PLC.

# Connecting a Computer Running Support Software (e.g., CX-Programmer) to a PLC

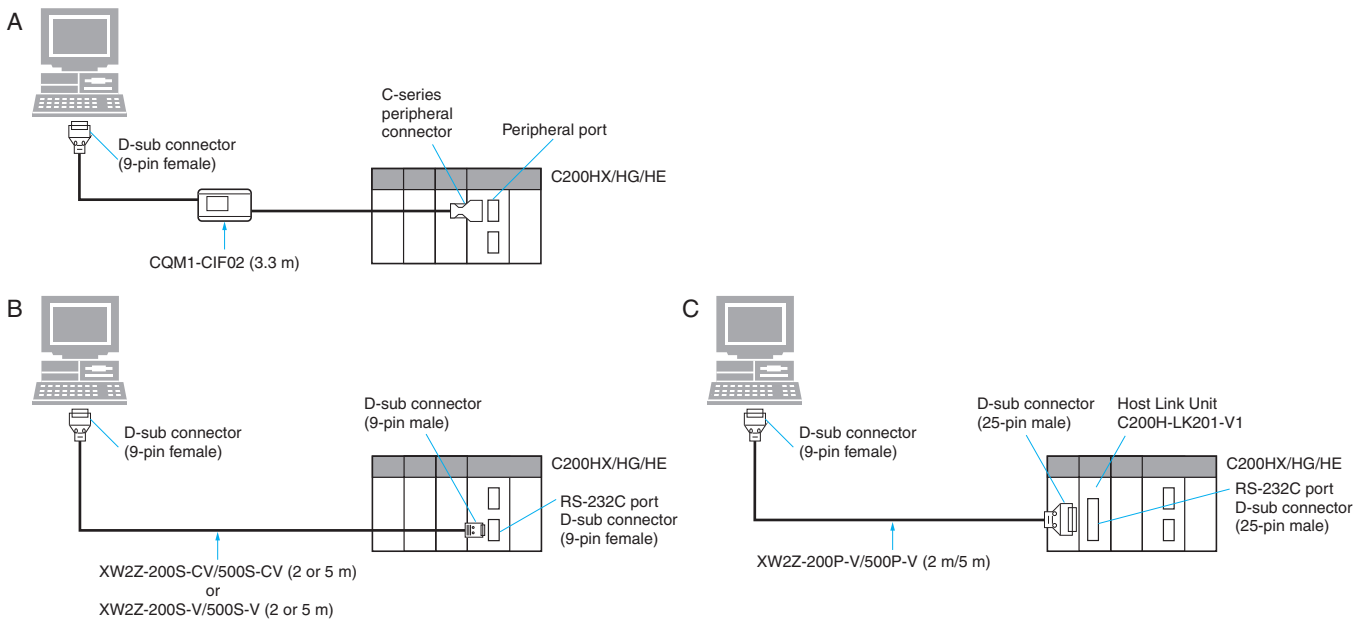
## Connecting Cables for CP1H/CP1L/CP1E



Computer	PC port	Unit	Unit port	Network Type (Serial Communications Mode)	Model	Cable length	Connection Types
	USB A plug connector (female)		USB B plug connector (female)				
PC/AT compatible	USB A plug connector (female)	CPU	USB B plug connector (female)	Peripheral bus or Host Link	Commercially available USB cable (A plug connector (male) - B plug connector (male))	5 m maximum	A
			D-sub, 9-pin (male)	RS-232C port (D-sub 9-pin female) on Option Board *	Host Link	XW2Z-200S-CV	2 m
	XW2Z-500S-CV					5 m	
	XW2Z-200S-V					2 m	
XW2Z-500S-V	5 m						

\* An Option Board cannot be used with a CP1L CPU Unit with 10 Points and CP1E-E. Also, the CP1E-N and CP1E-NA have a built-in RS-232C port.

## Connecting Cables for C200HS/HX/HG/HE



Computer	PC port	Unit	Unit port	Network Type (Serial Communications Mode)	Model	Cable length	Connection Types
	D-sub, 9-pin (male)		Built-in peripheral port				
PC/AT compatible	D-sub, 9-pin (male)	CPU	Built-in peripheral port	Peripheral bus *1 or Host Link	CQM1-CIF02	3.3 m	A
			Built-in RS-232C port D-sub, 9-pin (female) *2	Host Link	XW2Z-200S-CV	2 m	B
					XW2Z-500S-CV	5 m	
					XW2Z-200S-V	2 m	
		XW2Z-500S-V	5 m				
		Host Link Unit C200H-LK201-V1	Built-in RS-232C port D-sub, 25-pin (female)	Host Link	XW2Z-200P-V *3	2 m	C
					XW2Z-500P-V *3	5 m	

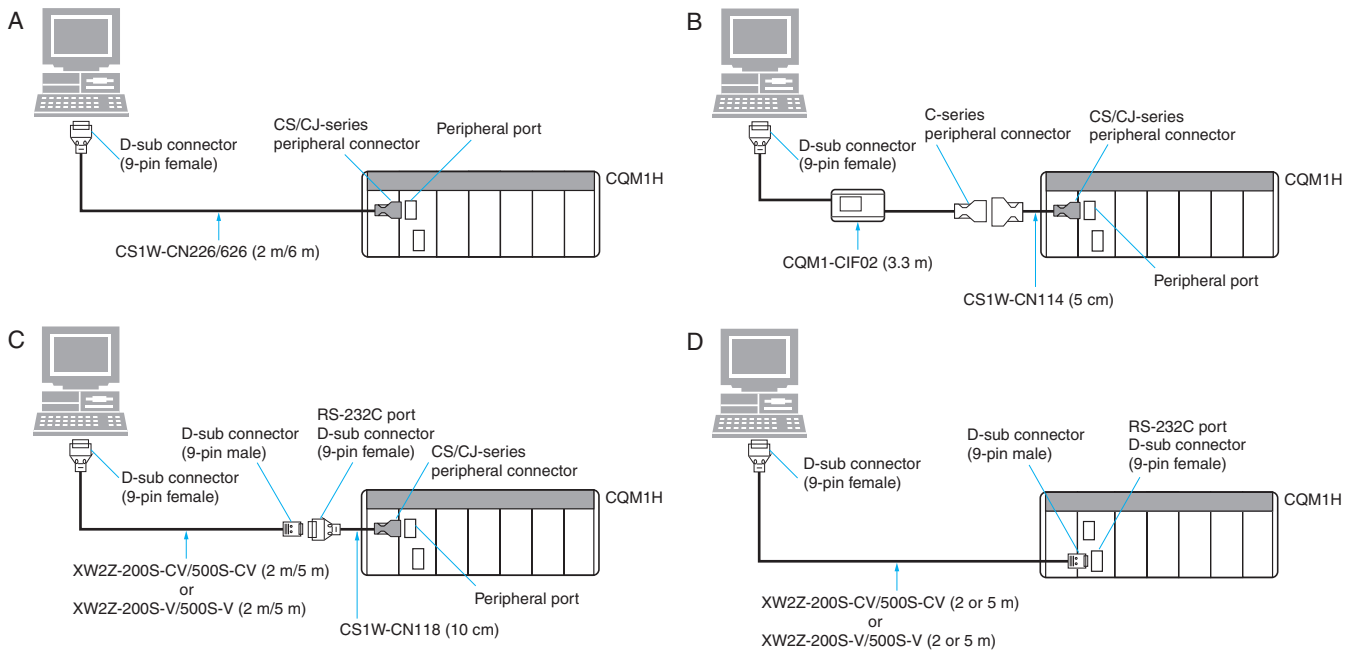
\*1. These Cables cannot be used for Programming Devices, such as the CX-Programmer, for the C200H-LK201-V1 Host Link Unit on a C200HX/HG/HE-Z PLC.

\*2. Only C200HS-CPU21/23/31/33 is equipped with a built-in RS-232C port D-sub, 9-pin (female).

\*3. The XW2Z-200S-CV and XW2Z-500S-CV cannot be used.

# Connecting a Computer Running Support Software (e.g., CX-Programmer) to a PLC

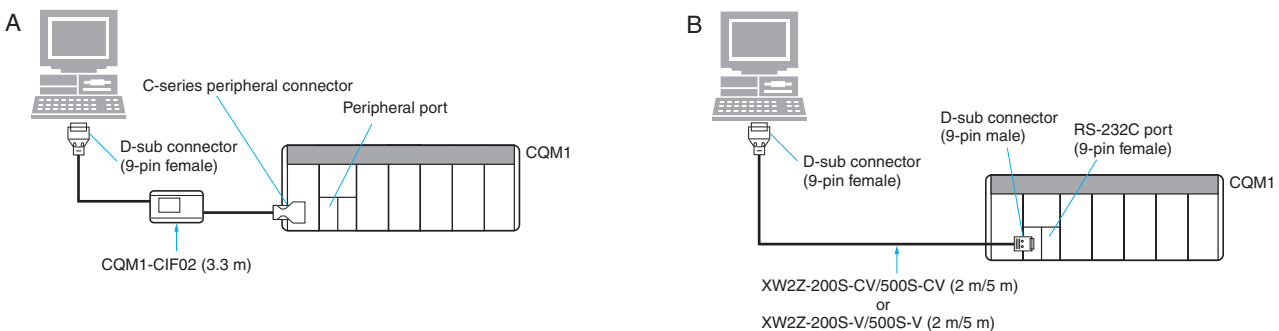
## Connecting Cables for CQM1H



Computer	PC port	Unit		Network Type (Serial Communications Mode)	Model	Cable length	Connection Types
		Unit port					
PC/AT compatible	D-sub, 9-pin (male)	CPU *	Built-in peripheral port	Peripheral bus or Host Link	CS1W-CN226	2 m	A
					CS1W-CN626	6 m	
					CS1W-CN114 + CQM1-CIF02	0.05 m+3.3 m	B
					CS1W-CN118 + XW2Z-200S-CV	0.1 m+2 m	
					CS1W-CN118 + XW2Z-500S-CV	0.1 m+5 m	C
					CS1W-CN118 + XW2Z-200S-V	0.1 m+2 m	
			Built-in RS-232C port D-sub, 9-pin (female)	Host Link	XW2Z-200S-CV	2 m	D
					XW2Z-500S-CV	5 m	
					XW2Z-200S-V	2 m	
					XW2Z-500S-V	5 m	

\* Discontinuation models in March 2012.

## Connecting Cables for CQM1

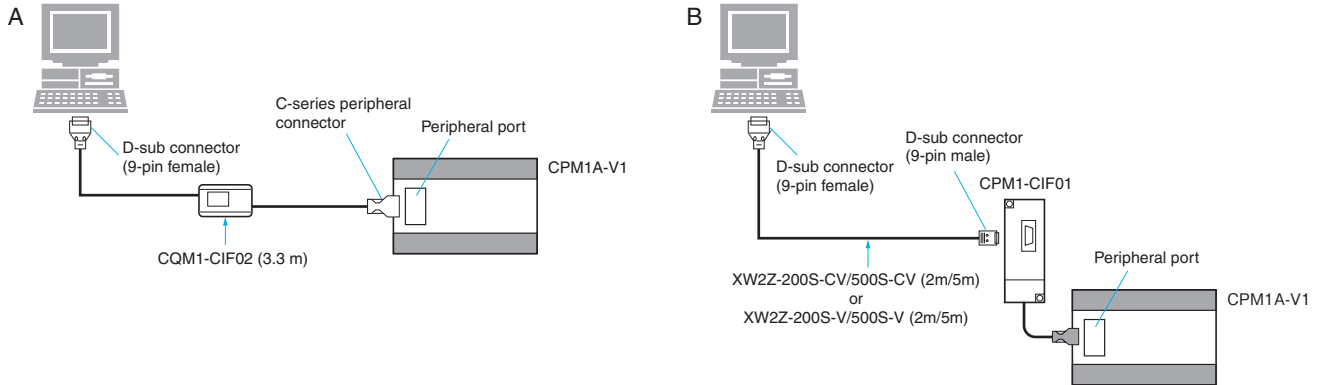


Computer	PC port	Unit		Network Type (Serial Communications Mode)	Model	Cable length	Connection Types
		Unit port					
PC/AT compatible	D-sub, 9-pin (male)	CPU *	Built-in peripheral port	Peripheral bus or Host Link	CQM1-CIF02	3.3 m	A
			Built-in RS-232C port D-sub, 9-pin (female) (CPU42/43/44/63/64/65/85 only)	Host Link	XW2Z-200S-CV	2 m	B
					XW2Z-500S-CV	5 m	
					XW2Z-200S-V	2 m	
					XW2Z-500S-V	5 m	

\* Discontinuation models in March 2001.

# Connecting a Computer Running Support Software (e.g., CX-Programmer) to a PLC

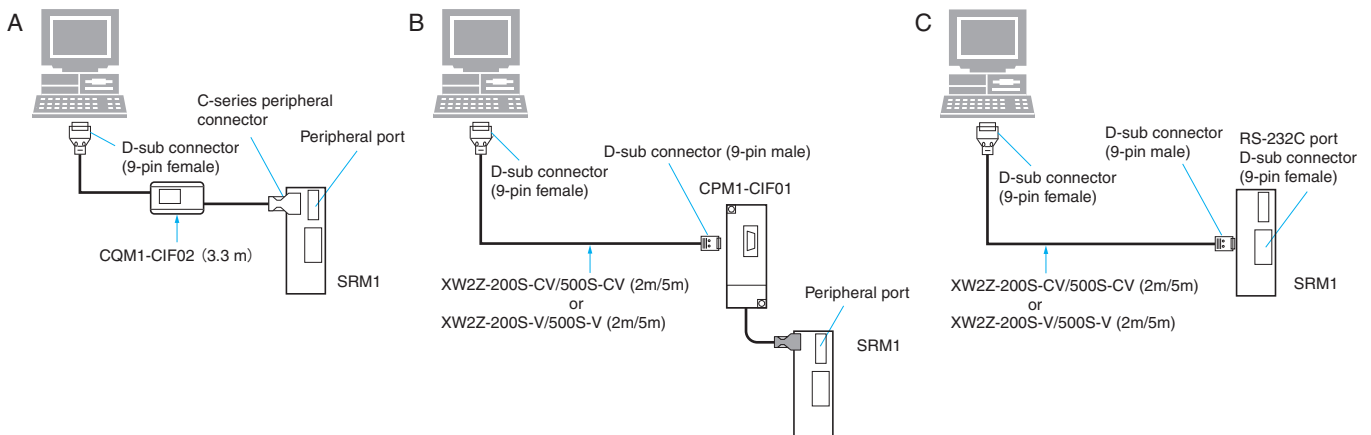
## Connecting Cables for CPM1, CPM1A and CPM2A



Computer	PC port	Unit	Unit port	Network Type (Serial Communications Mode)	Model	Cable length	Connection Types
PC/AT compatible	D-sub, 9-pin (male)	CPU Unit	Built-in peripheral port	Peripheral bus * or Host Link	CQM1-CIF02	3.3 m	A
					CPM1-CIF01 +XW2Z-200S-CV	2 m	B
					CPM1-CIF01 +XW2Z-500S-CV	5 m	
				Host Link	CPM1-CIF01 +XW2Z-200S-V	2 m	B
					CPM1-CIF01 +XW2Z-500S-V	5 m	

\* CPM2A CPU Units that have a 9 as the fourth digit of the lot number (4 or 5 digits) do not support Toolbus connections. They do support Host Link connections.

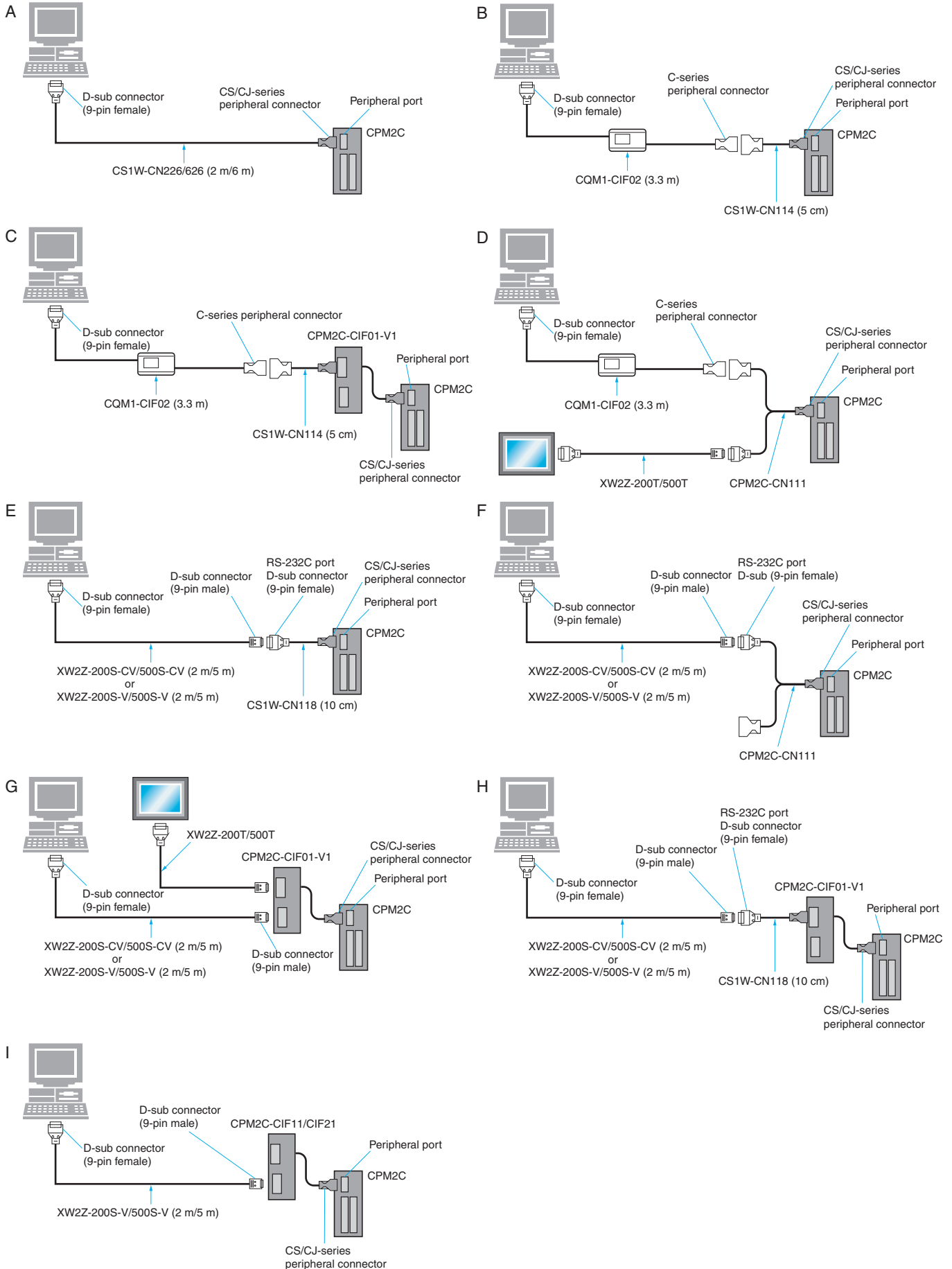
## Connecting Cables for SRM1



Computer	PC port	Unit	Unit port	Network Type (Serial Communications Mode)	Model	Cable length	Connection Types
PC/AT compatible	D-sub, 9-pin (male)	CPU Unit	Built-in peripheral port	Peripheral bus or Host Link	CQM1-CIF02	3.3 m	A
					CPM1-CIF01 +XW2Z-200S-CV	2 m	B
					CPM1-CIF01 +XW2Z-500S-CV	5 m	
				Host Link	CPM1-CIF01 +XW2Z-200S-V	2 m	B
					CPM1-CIF01 +XW2Z-500S-V	5 m	
			Built-in RS-232C port D-sub, 9-pin (female) (SRM1-C01 only)	XW2Z-200S-CV	2 m	C	
				XW2Z-500S-CV	5 m		
				XW2Z-200S-V	2 m		
				XW2Z-500S-V	5 m		

# Connecting a Computer Running Support Software (e.g., CX-Programmer) to a PLC

## Connecting Cables for CPM2C



# Connecting a Computer Running Support Software (e.g., CX-Programmer) to a PLC

Computer		Unit		Network Type (Serial Communications Mode)	Model	Cable length	Connection Types	
PC port	Unit port							
PC/AT compatible	D-sub, 9-pin (male)	CPU	Communications port (as a peripheral port)	Peripheral bus *1 or Host Link	CS1W-CN226 *2	2 m	A	
					CS1W-CN626 *2	6 m		
					CS1W-CN114 +CQM1-CIF02	0.05 m+3.3 m	B	
					CPM2C-CIF01-V1 +CS1W-CN114 +CQM1-CIF02	Adapter+ 0.05 m + 3.3 m	C	
					CPM2C-CN111 (Peripheral port) +CQM1-CIF02	0.1 m+3.3 m	D	
			Communications port (as an RS-232C port)		Host Link	E	CS1W-CN118 +XW2Z-200S-CV	0.1 m+2 m
							CS1W-CN118 +XW2Z-500S-CV	0.1 m+5 m
							CS1W-CN118 +XW2Z-200S-V	0.1 m+2 m
							CS1W-CN118 +XW2Z-500S-V	0.1 m+5 m
						F	CPM2C-CN111 (RS-232C port) +XW2Z-200S-CV	0.1m+2m
		CPM2C-CN111 (RS-232C port) +XW2Z-500S-CV		0.1 m+5 m				
		CPM2C-CN111 (RS-232C port) +XW2Z-200S-V		0.1 m+2 m				
		CPM2C-CN111 (RS-232C port) +XW2Z-500S-V		0.1 m+5 m				
		G		CPM2C-CIF01-V1 +XW2Z-200S-CV			Adapter+2 m	
				CPM2C-CIF01-V1 +XW2Z-500S-CV			Adapter+5 m	
		H	CPM2C-CIF01-V1 +XW2Z-200S-V	Adapter+2 m				
			CPM2C-CIF01-V1 +XW2Z-500S-V	Adapter+5 m				
			CPM2C-CIF01-V1 +CS1W-CN118 +XW2Z-200S-CV	Adapter 0.1 m+2 m				
			CPM2C-CIF01-V1 +CS1W-CN118 +XW2Z-500S-CV	Adapter 0.1 m+5 m				
			CPM2C-CIF01-V1 +CS1W-CN118 +XW2Z-200S-V	Adapter+ 0.1 m+2 m				
			CPM2C-CIF01-V1 +CS1W-CN118 +XW2Z-500S-V	Adapter+ 0.1 m+5 m				
		I	CPM2C-CIF11 +XW2Z-200S-V	Adapter+2 m				
			CPM2C-CIF11 +XW2Z-500S-V	Adapter+5 m				
			CPM2C-CIF21 +XW2Z-200S-V	Adapter+2 m				
			CPM2C-CIF21 +XW2Z-500S-V	Adapter+5 m				

\*1. CPM2C CPU Units that have a 9 as the fourth digit of the lot number (4 or 5 digits) and that were manufactured in 1999 do not support Toolbus connections. They do support Host Link connections.

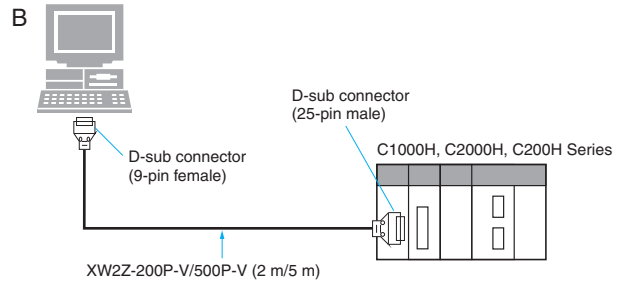
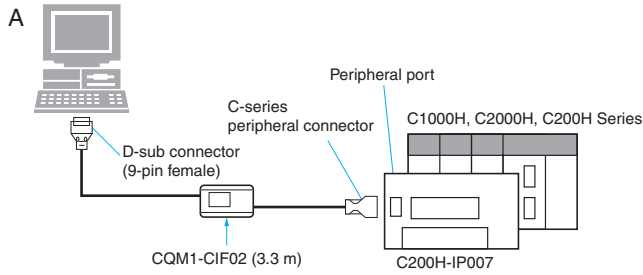
\*2. Only Host Link (SYSMAC WAY) connections are possible. Toolbus cannot be used.

**Note:** Refer to the CPM2C Operation Manual (Cat. No. W340) for details.



# Connecting a Computer Running Support Software (e.g., CX-Programmer) to a PLC

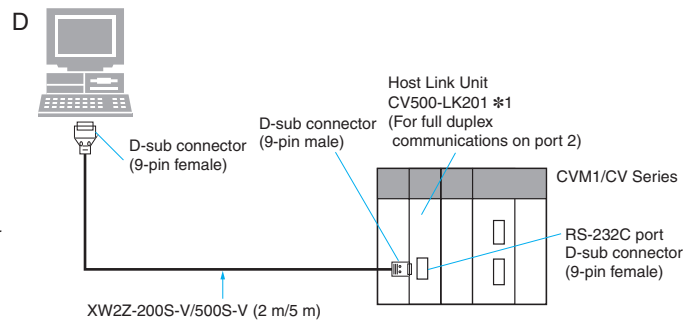
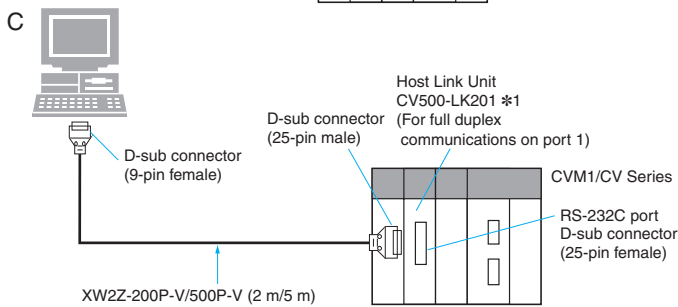
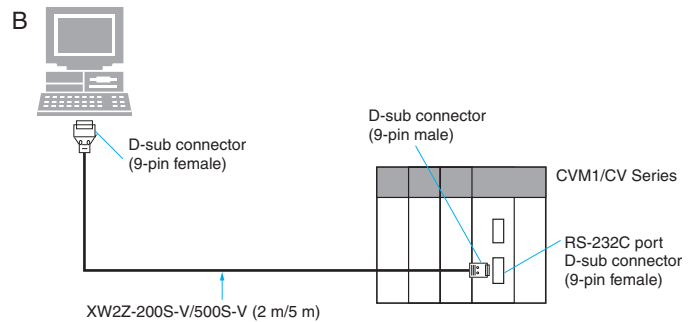
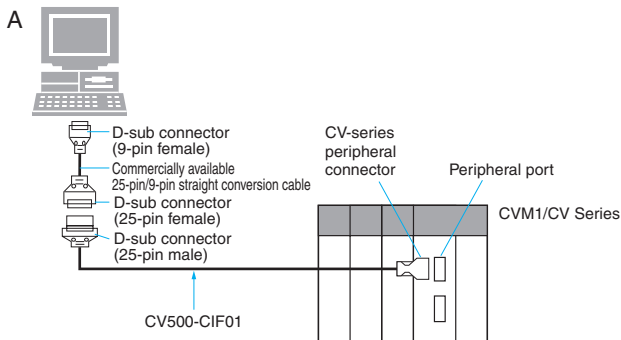
## Connecting Cables for C1000H, C2000H, C200H



Computer	PC port	Unit		Network Type (Serial Communications Mode)	Model	Cable length	Connection Types
		CPU Unit	Unit port				
PC/AT compatible	D-sub, 9-pin (male)	CPU Unit	Built-in peripheral port	Host Link	C200H-IP007 + CQM1-CIF02 *	3.3 m	A
		Host Link Unit C1000H, C2000H: C500-LK203 C500-LK201-V1 (3G2A5-LK201-V1) C120-LK201-V1 (3G2A6-LK201-EV1) C200H: C200H-LK201-V1 C120-LK201-V1 (3G2A6-LK201-EV1)	Built-in RS-232C port D-sub, 25-pin (female)		XW2Z-200P-V	2 m	B
				XW2Z-500P-V	5 m		

\* Connection cannot be made from the CQM1-CIF02 directly to a computer for the C200H Handheld Programming Console connecting cable. Use the C200H-IP007.

## Connecting Cables for CVM1/CV



Computer	PC port	Unit		Network Type (Serial Communications Mode)	Model	Cable length	Connection Types
		CPU Unit *1	Unit port				
PC/AT compatible	D-sub, 9-pin (male)	CPU Unit *1	Built-in peripheral port	Host Link	CV500-CIF01 *2	6 m	A
			Built-in RS-232C port D-sub, 9-pin (female)		XW2Z-200S-V *3	2 m	B
		Host Link Unit CV500-LK201 *1 (for full duplex communication on port 1)	Built-in RS-232C port D-sub, 25-pin (female)		XW2Z-500S-V *3	5 m	
			XW2Z-200P-V *3		2 m		
		Host Link Unit CV500-LK201 *1 (for full duplex communication on port 2)	Built-in RS-232C port D-sub, 9-pin (female)		XW2Z-500P-V *3	5 m	D
			XW2Z-200S-V *3		2 m		
		XW2Z-500S-V *3	5 m				

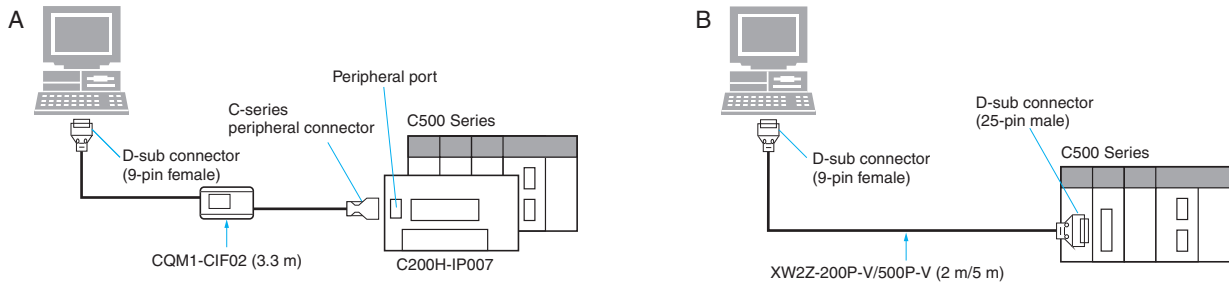
\*1. Discontinuation models in March 2012.

\*2. A commercially available 25-pin/9-pin straight conversion cable is separately required.

\*3. The XW2Z-200S-CV and XW2Z-500S-CV cannot be used.

# Connecting a Computer Running Support Software (e.g., CX-Programmer) to a PLC

## Connecting Cables for C500

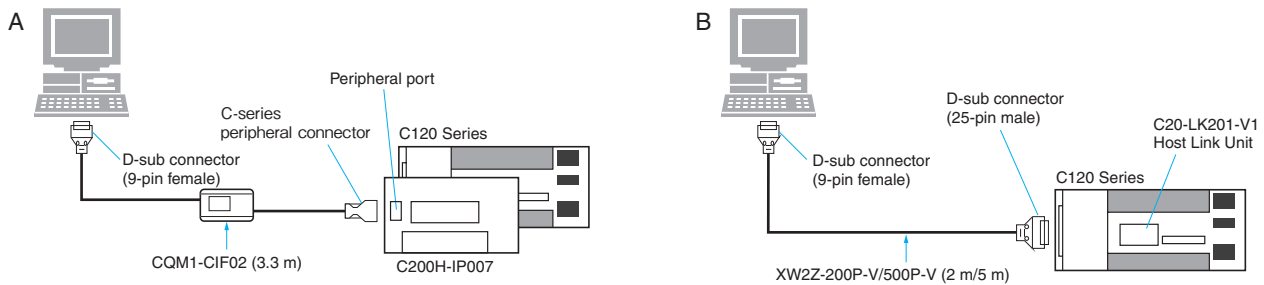


Computer	PC port	Unit		Network Type (Serial Communications Mode)	Model	Cable length	Connection Types
	PC port	Unit port	Unit port				
PC/AT compatible	D-sub, 9-pin (male)	CPU Unit *1	Built-in peripheral port	Host Link	C200H-IP007 + CQM1-CIF02	3.3 m	A
		Host Link Unit *2 C500-LK203 C500-LK201-V1 (3G2A5-LK201-EV1) C120-LK201-V1 (3G2A6-LK201-EV1)	Built-in RS-232C port D-sub, 25-pin (female)		XW2Z-200P-V	2 m	B
					XW2Z-500P-V	5 m	

\*1. Production of the CPU Units was discontinued in March 2004.

\*2. Production of the C500-LK203, C500-LK201-V1 (3G2A5-LK201-EV1), and C120-LK201-V1 (3G2A6-LK201-EV1) was discontinued in March 2006. (There is no recommended substitute product.)

## Connecting Cables for C120



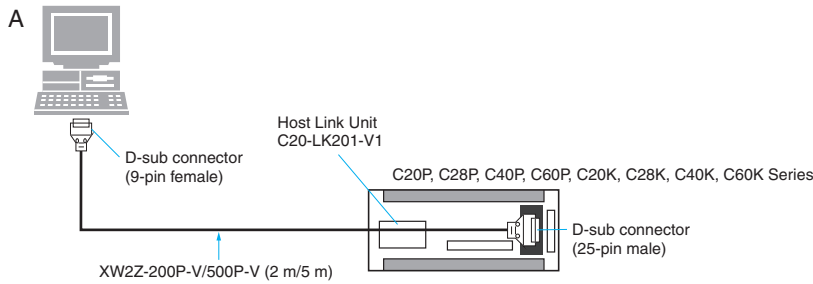
Computer	PC port	Unit		Network Type (Serial Communications Mode)	Model	Cable length	Connection Types
	PC port	Unit port	Unit port				
PC/AT compatible	D-sub, 9-pin (male)	CPU Unit *1	Built-in peripheral port	Host Link	C200H-IP007 + CQM1-CIF02	3.3 m	A
		Host Link Unit *2 C120-LK201-V1 (3G2A6-LK201-EV1)	Built-in RS-232C port D-sub, 25-pin (female)		XW2Z-200P-V	2 m	B
					XW2Z-500P-V	5 m	

\*1. Production of the CPU Units was discontinued in March 2003.

\*2. Production of the C120-LK201-V1 was discontinued in March 2006. (There is no recommended substitute product.)

# Connecting a Computer Running Support Software (e.g., CX-Programmer) to a PLC

## Connecting Cables for C20P/C28P/C40P/C60P\*1, C20K/C28K/C40K/C60K\*2



Computer	PC port	Unit	Unit port	Network Type (Serial Communications Mode)	Model	Cable length	Connection Types
PC/AT compatible	D-sub, 9-pin (male)	Host Link Unit *3 *4 C20-LK201-V1 (3G2C7-LK201-EV1)	Built-in RS-232C port D-sub, 25-pin (female)	Host Link	XW2Z-200P-V	2 m	A
					XW2Z-500P-V	5 m	

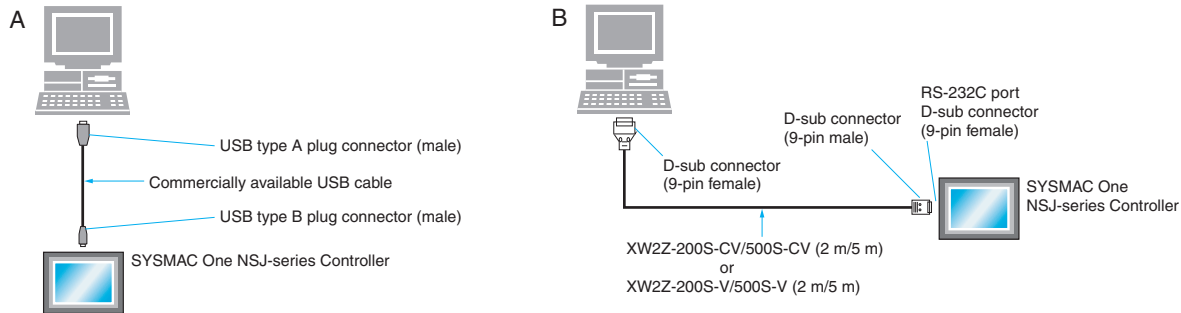
\*1. Production of the C20P, C28P, C40P, and C60P CPU Units was discontinued in March 2002.

\*2. Production of the C20K, C28K, C40K, and C60K CPU Units was discontinued in March 2002.

\*3. For connection to C□□P PLCs, a Host Link Unit is also required in addition to a Connecting Cable.

\*4. Production of the C20-LK201-V1 (3G2C7-LK201-EV1) was discontinued in March 2006. (There is no recommended substitute product.)

## Connecting Cables for NSJ



Computer	PC port	Unit	Unit port	Network Type (Serial Communications Mode)	Model	Cable length	Connection Types
PC/AT compatible	USB A plug connector (male)	CPU	USB B plug connector (female)	USB	Commercially available USB cable (A plug connector (male) - B plug connector (male))	5 m maximum	A
	D-sub, 9-pin (male)		Built-in RS-232C port D-sub, 9-pin (female)	Peripheral bus or Host Link	XW2Z-200S-CV	2 m	B
					XW2Z-500S-CV	5 m	
				Host Link	XW2Z-200S-V	2 m	
	XW2Z-500S-V	5 m					

Компания «Океан Электроники» предлагает заключение долгосрочных отношений при поставках импортных электронных компонентов на взаимовыгодных условиях!

Наши преимущества:

- Поставка оригинальных импортных электронных компонентов напрямую с производств Америки, Европы и Азии, а так же с крупнейших складов мира;
- Широкая линейка поставок активных и пассивных импортных электронных компонентов (более 30 млн. наименований);
- Поставка сложных, дефицитных, либо снятых с производства позиций;
- Оперативные сроки поставки под заказ (от 5 рабочих дней);
- Экспресс доставка в любую точку России;
- Помощь Конструкторского Отдела и консультации квалифицированных инженеров;
- Техническая поддержка проекта, помощь в подборе аналогов, поставка прототипов;
- Поставка электронных компонентов под контролем ВП;
- Система менеджмента качества сертифицирована по Международному стандарту ISO 9001;
- При необходимости вся продукция военного и аэрокосмического назначения проходит испытания и сертификацию в лаборатории (по согласованию с заказчиком);
- Поставка специализированных компонентов военного и аэрокосмического уровня качества (Xilinx, Altera, Analog Devices, Intersil, Interpoint, Microsemi, Actel, Aeroflex, Peregrine, VPT, Syfer, Eurofarad, Texas Instruments, MS Kennedy, Miteq, Cobham, E2V, MA-COM, Hittite, Mini-Circuits, General Dynamics и др.);

Компания «Океан Электроники» является официальным дистрибьютором и эксклюзивным представителем в России одного из крупнейших производителей разъемов военного и аэрокосмического назначения «JONHON», а так же официальным дистрибьютором и эксклюзивным представителем в России производителя высокотехнологичных и надежных решений для передачи СВЧ сигналов «FORSTAR».



## JONHON

«JONHON» (основан в 1970 г.)

Разъемы специального, военного и аэрокосмического назначения:

(Применяются в военной, авиационной, аэрокосмической, морской, железнодорожной, горно- и нефтедобывающей отраслях промышленности)

«FORSTAR» (основан в 1998 г.)

ВЧ соединители, коаксиальные кабели, кабельные сборки и микроволновые компоненты:

(Применяются в телекоммуникациях гражданского и специального назначения, в средствах связи, РЛС, а так же военной, авиационной и аэрокосмической отраслях промышленности).



Телефон: 8 (812) 309-75-97 (многоканальный)

Факс: 8 (812) 320-03-32

Электронная почта: [ocean@oceanchips.ru](mailto:ocean@oceanchips.ru)

Web: <http://oceanchips.ru/>

Адрес: 198099, г. Санкт-Петербург, ул. Калинина, д. 2, корп. 4, лит. А