

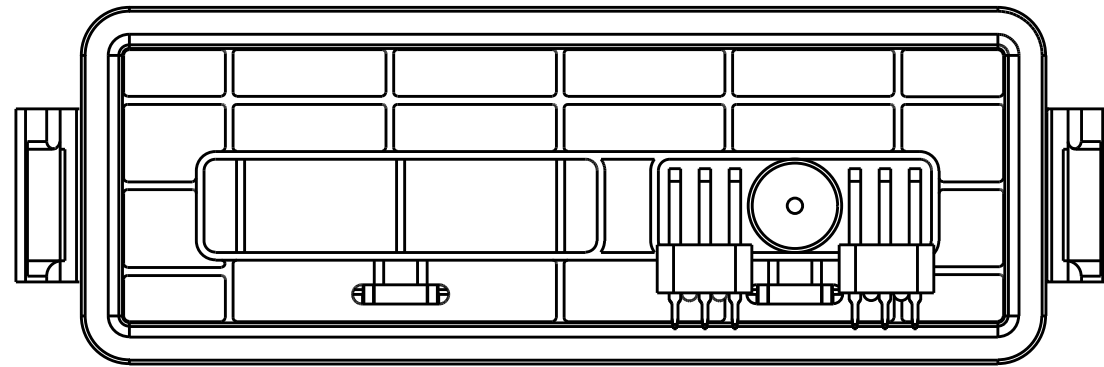
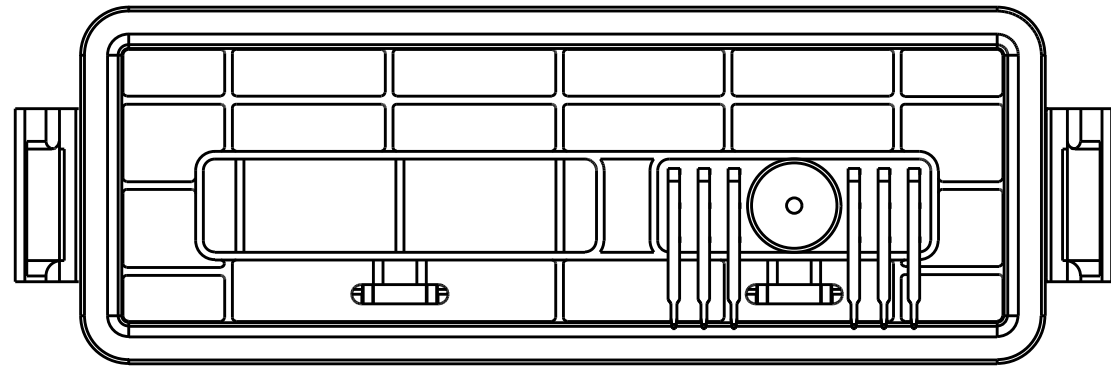
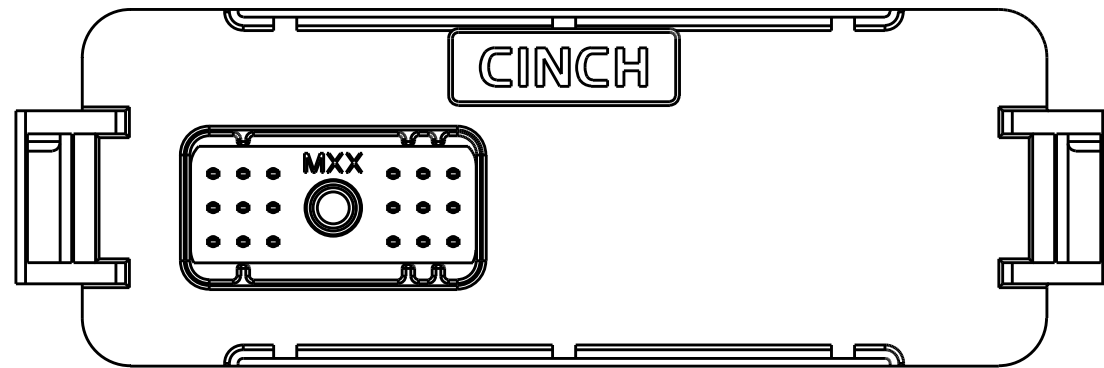
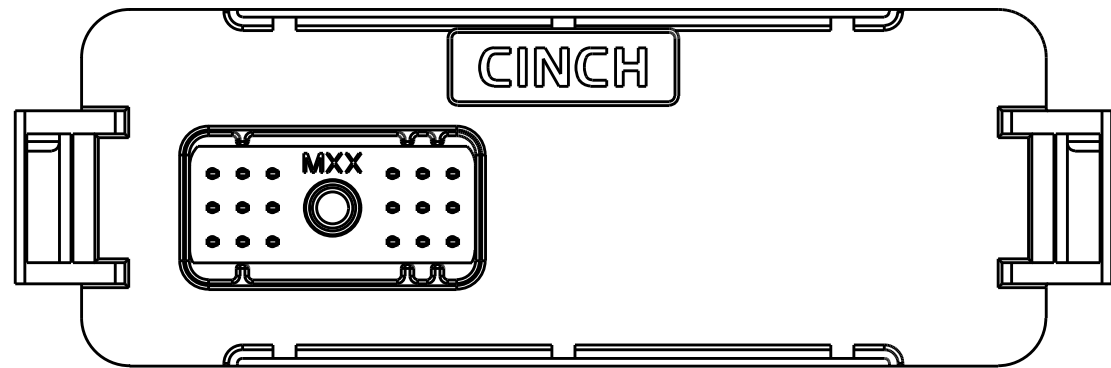
CINCH PART NUMBER MATRIX

P/N: 581 01 18 032

P/N: 581 01 18 033

18-WAY HEADER ASSEMBLY WITHOUT FERRITE FILTERS

18-WAY HEADER ASSEMBLY WITH FERRITE FILTERS



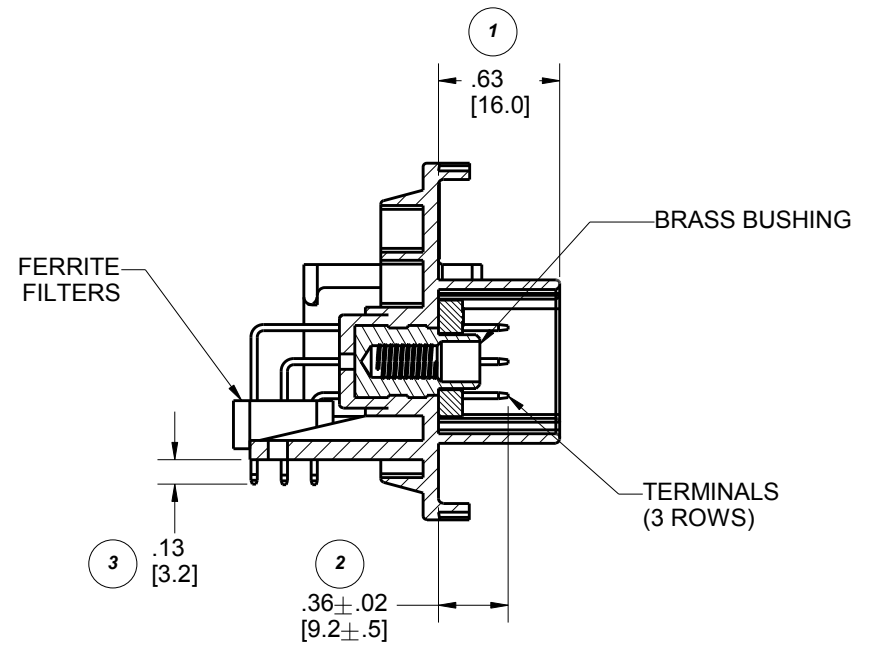
MATES WITH CINCH HARNESS CONNECTORS P/N:
581 01 18 023 (18-WAY)

DRAWING REVISIONS			
REV	DOCUMENT	APP	DATE
A	REL. FOR PRODUCTION D.O. 05-1157	A.C.	7/21/05
B	ECN: 05A468 ADDED LEGS AND ADDED SLOTS TO RIBS	A.C.	9/27/05
C	ECN: 06A032 ADDED SHEET 5 ADDED SHEET 6 MODIFIED SHEET 3 MODIFIED SHEET 4	A.C.	3/23/06
D	ECN: 06A410 REFORMATTED DRAWING PCB LAYOUTS REDRAWN WITH ADDITIONAL KEEP OUT AREAS	A.C.	9/29/06
E	CO 4256	N.C.	3/31/20

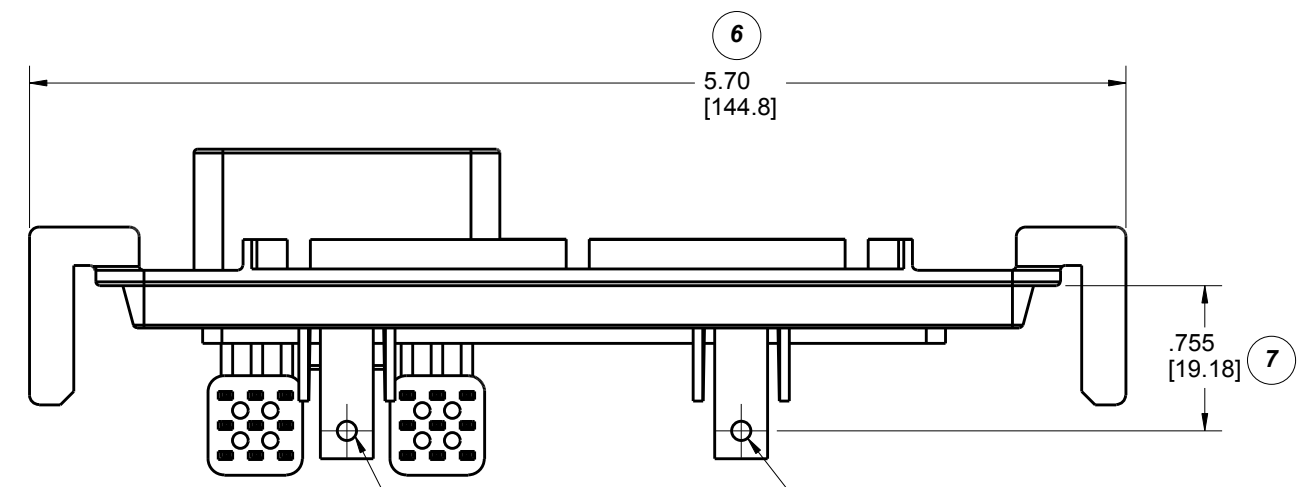
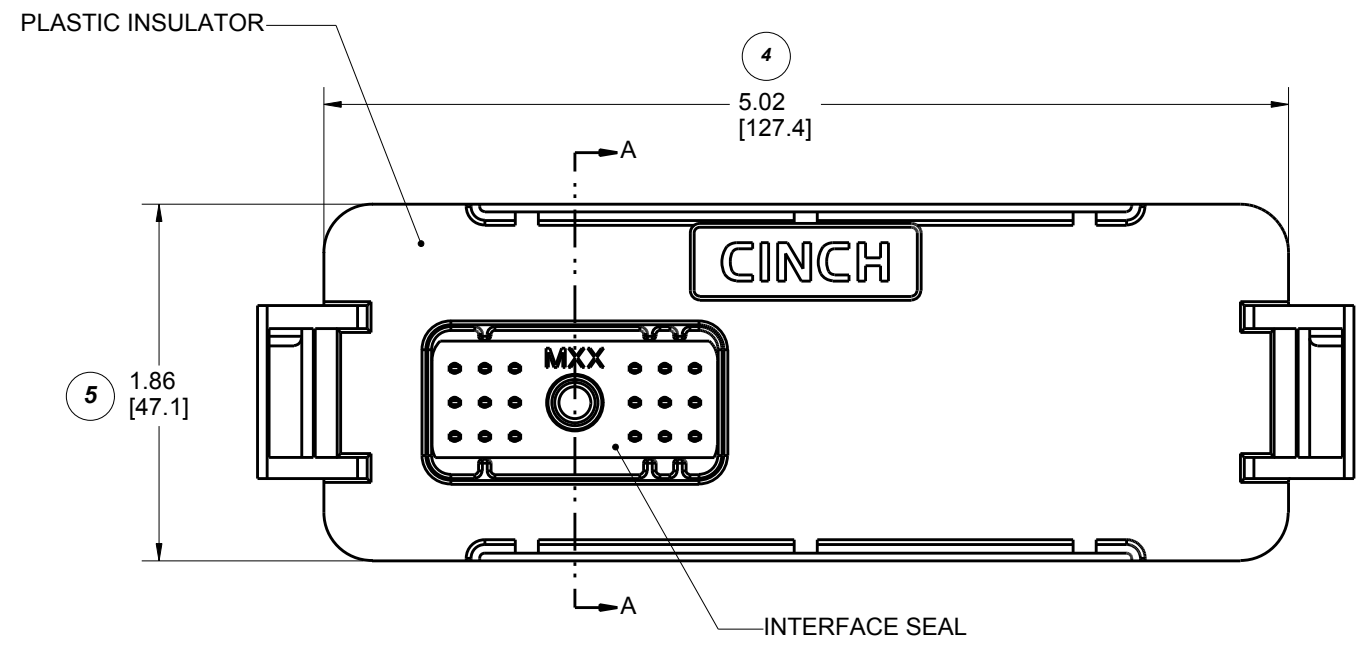
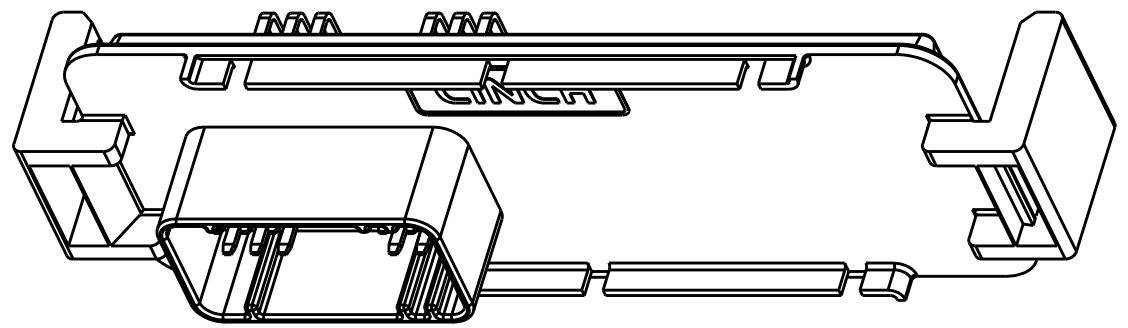
NOTE:

- ALL DIMENSIONS ARE IN INCHES;
DIMENSION INSIDE [.XX] ARE IN MM, AS REF. ONLY.
- MATERIALS:
INTERFACE SEAL: SILICONE RUBBER, COLOR BLUE;
INSULATOR: 30 % GLASS FILLED POLYMER, COLOR BLACK;
BUSHING: BRASS ALLOY, UNPLATED 10-24 UNC THREAD;
TERMINAL BLADE: 1.5 MM BRASS WITH TIN OVER NICKEL PLATING;
FILTERS: FERRITE BLOCKS.
- ALL HEADERS ARE REFLOW OR WAVE SOLDERING PROCESS, ROHS COMPLIANT.
- MATES WITH CINCH SHS PUSH-TO-SEAT HARNESS CONNECTORS (SEE TABLE ABOVE).
- THERMALLY CONDUCTIVE ADHESIVE PASTE SOLD SEPARATLY: RECOMMENDED IS LOCTITE 383.
- MOSFET SPRING PLATES ARE SOLD SEPARATLY (FOR INSTALLATION REFER TO ENCLOSURE ASSEMBLY INSTRUCTIONS)
SPRING LABELED AS "L" IS CINCH P/N: 581 00 00 020 AND SPRING LABELED AS "R" IS CINCH P/N: 581 00 00 021.
(IT IS RECOMMENDED THAT THE 4 SLOTS BE PROTECTED DURING CONFORMAL COATING)
- STANDARD PACKAGE SIZE: 72 PARTS/CARTON BOX.

UNITS		RoHS COMPLIANT		MODELED BY:	
ENGLISH	PRO/E	CINCH		1700 FINLEY RD LOMBARD, IL. 60148	
DO NOT SCALE DRAWING	DRAWN BY B. KOSTIC	DATE 09/03/04	TITLE 18-WAY HEADERS MODICE SE		
UNLESS OTHERWISE SPECIFIED: ALL DIMENSIONS ARE IN INCHES	DESIGN ENGINEER B. KOSTIC	09/03/04	MATERIAL SEE NOTE 2.		CONTROL SPEC NUMBER
FILLET/RADII .02 MAX	DESIGN ENGINEERING MGR. A. CAINES	11/18/04	MATERIAL SPEC NUMBER	FINISH	PROJECT NUMBER A 14562
TOLERANCES AND LIMITS APPLY OVER ADDITIVE FINISH	MFG. ENGINEERING R. GARZA	11/18/04	CAD FILE NUMBER 5810118032S_HEADERS	DRAWING NUMBER 581 01 18 032 S	
THIS DOCUMENT IS THE PROPERTY OF CINCH. NEITHER THIS DOCUMENT NOR ANY OF THE INFORMATION CONTAINED IN IT MAY BE DUPLICATED OR DISCLOSED WITHOUT PRIOR WRITTEN CONSENT OF CINCH.	QUALITY ASSURANCE R. QUIROZ	11/18/04	CAGE IDENT NO. 71785	SIZE B	SCALE 1:1 SHEET 1 OF 6



SECTION A-A



FOR PCB MOUNTING, #4 SELF-TAPPING SCREW IS RECOMMENDED, TORQUE: 2-3 IN*LBS. [0.23-0.34 Nm]

CINCH P/N: 581 01 18 033 SHOWN (HEADER WITH FILTERS)

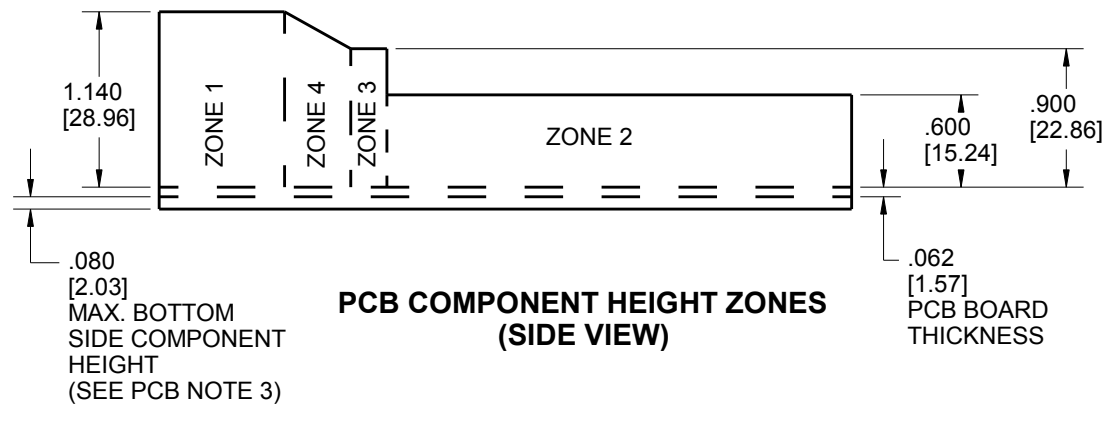
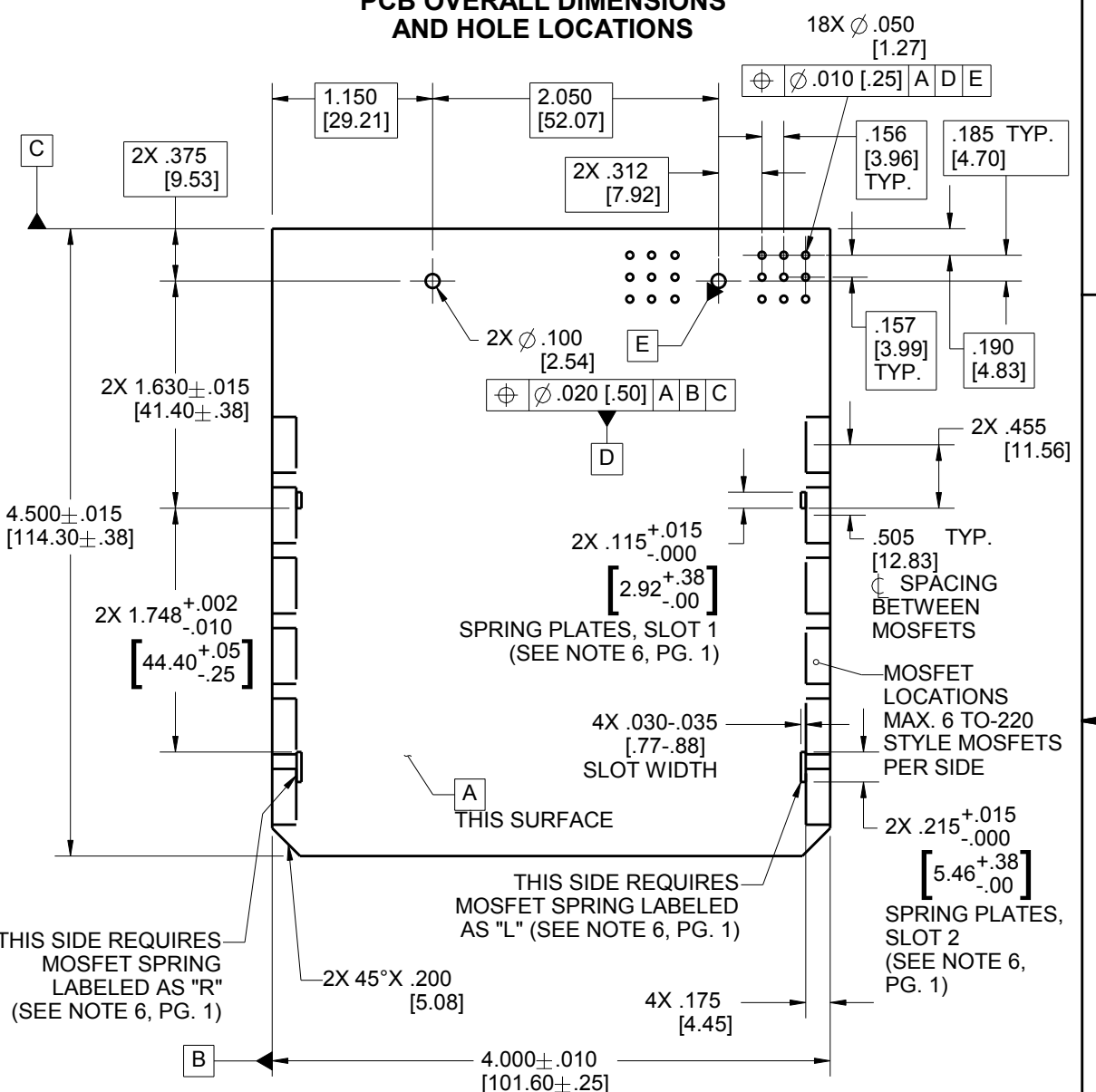
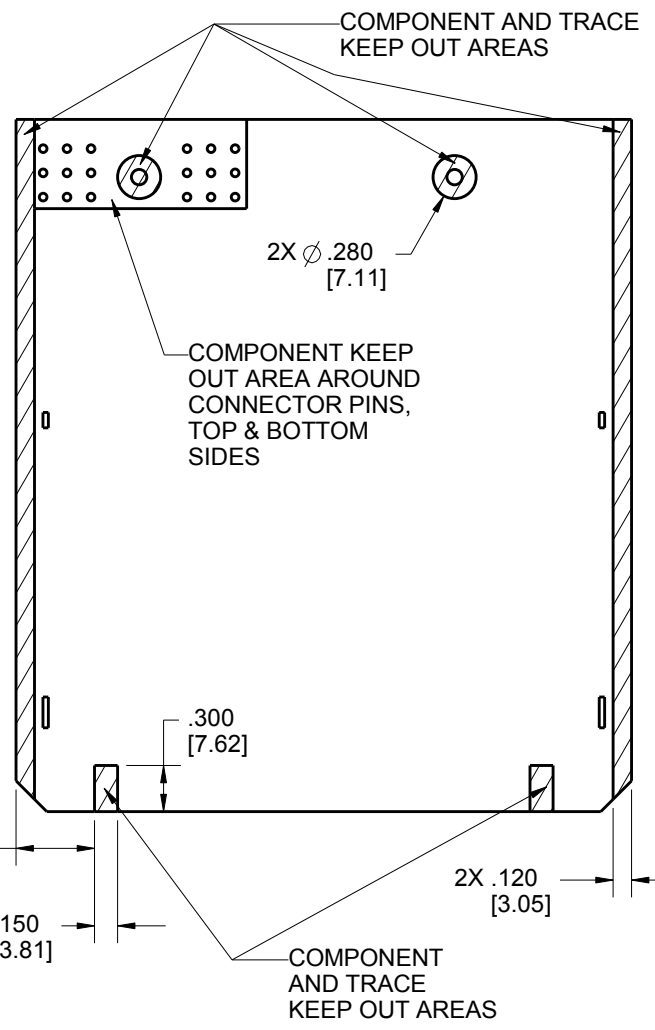
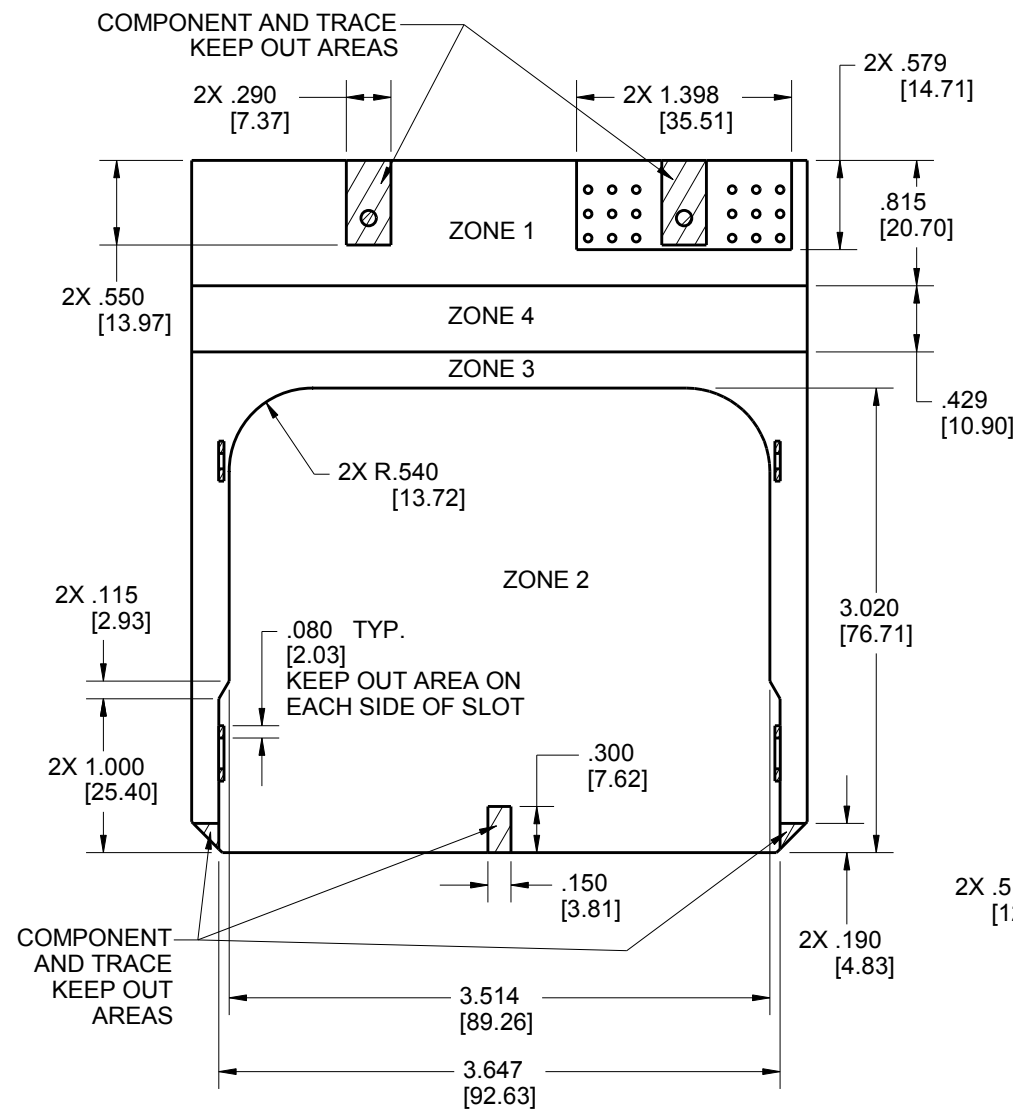
UNITS ENGLISH		CINCH		1700 FINLEY RD LOMBARD, IL. 60148	
DO NOT SCALE DRAWING		TITLE 18-WAY HEADERS MODICE SE			
UNLESS OTHERWISE SPECIFIED: ALL DIMENSIONS ARE IN INCHES		PRO/E DRAWING			
FILLET/RADII .02 MAX		TOLERANCES X ± .1 XX ± .01 XXX ± .005 ANGULAR ± .5°		CAD FILE NUMBER 5810118032S_HEADERS	DRAWING NUMBER 581 01 18 032 S
TOLERANCES AND LIMITS APPLY OVER ADDITIVE FINISH		CAGE IDENT NO. 71785	SIZE B	SCALE 1:1	REV E
THIS DOCUMENT IS THE PROPERTY OF CINCH. NEITHER THIS DOCUMENT NOR ANY OF THE INFORMATION CONTAINED IN IT MAY BE DUPLICATED OR DISCLOSED WITHOUT PRIOR WRITTEN CONSENT OF CINCH.		SHEET 2 OF 6			

PCB LAYOUT WITH TWO HEAT SINKS

PCB TOP SIDE GENERAL ZONING & KEEP OUT AREAS

PCB BOTTOM SIDE GENERAL ZONING & KEEP OUT AREAS

PCB OVERALL DIMENSIONS AND HOLE LOCATIONS



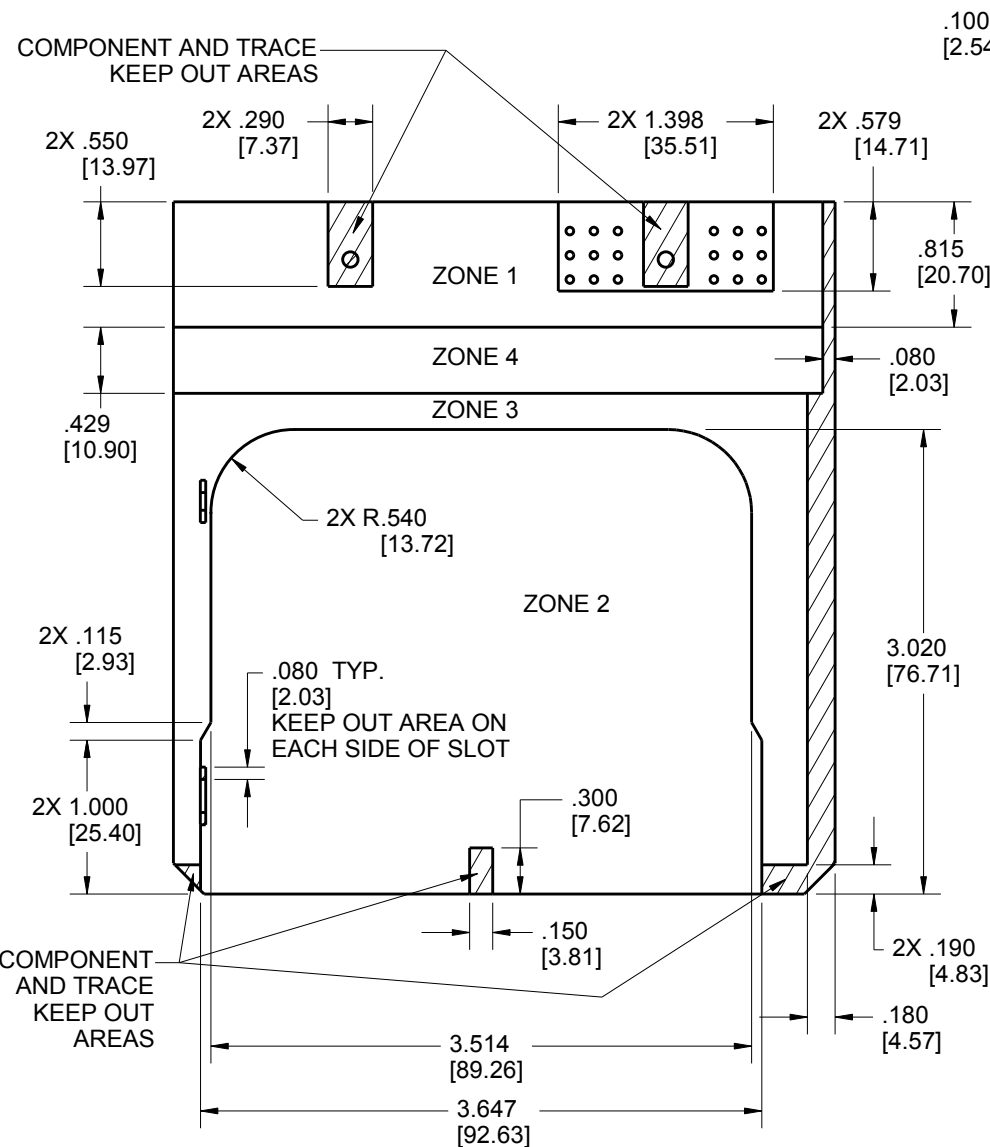
PCB COMPONENTS HEIGHT LIMIT				
	ZONE 1	ZONE 2	ZONE 3	ZONE 4
MAX. HEIGHT FOR COMPONENTS (ABOVE PCB)	1.140"	.600"	.900"	SEE PCB NOTE 4

- PCB NOTES:
- IF MOSFET SPRINGS ARE USED, ZONE 3 SHOULD CONTAIN ONLY MOSFETS AND TRACES BETWEEN THE SPRINGS AND EDGE OF THE BOARD.
 - ON BOTTOM SIDE OF THE PCB, COMPONENTS OR TRACES MUST BE MIN. .100" AWAY FROM THE EDGE OF THE PCB.
 - THE BOTTOM SIDE OF THE PCB SHOULD NOT HAVE COMPONENTS OR LEADS THAT EXTEND HIGHER THAN .080" (SEE PG. 6 SIDE VIEW).
 - AREA HAS VARIABLE HEIGHT. SEE PCB COMPONENT HEIGHT ZONES VIEW FOR DETAILS.

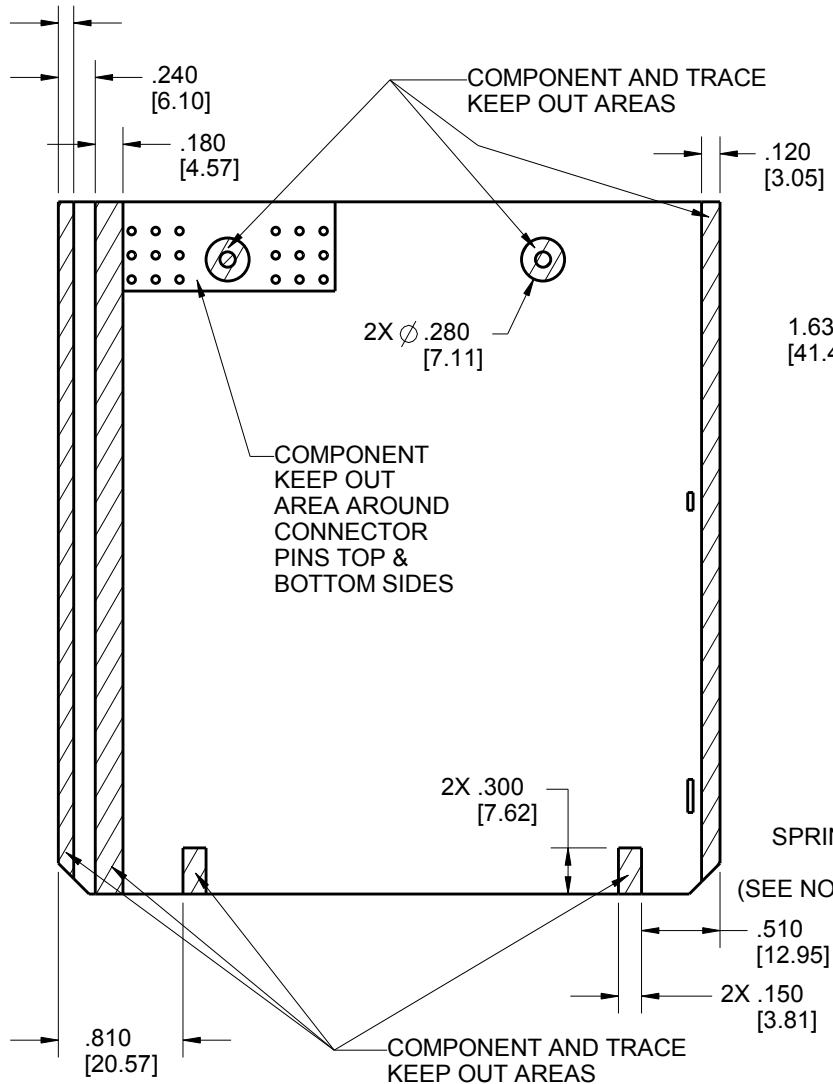
UNITS	ENGLISH		CINCH		1700 FINLEY RD LOMBARD, IL. 60148
DO NOT SCALE DRAWING	TITLE: 18-WAY HEADERS MODICE SE				
UNLESS OTHERWISE SPECIFIED: ALL DIMENSIONS ARE IN INCHES	PRO/E DRAWING				
FILLET/RADII .02 MAX	TOLERANCES -X ± .1 XX ± .01 XXX ± .005 ANGULAR ± .5°	CAD FILE NUMBER 5810118032S_HEADERS	DRAWING NUMBER 581 01 18 032 S	REV E	
TOLERANCES AND LIMITS APPLY OVER ADDITIVE FINISH	CAGE IDENT NO. 71785	SIZE B	SCALE 4:5	SHEET 4 OF 6	
THIS DOCUMENT IS THE PROPERTY OF CINCH. NEITHER THIS DOCUMENT NOR ANY OF THE INFORMATION CONTAINED IN IT MAY BE DUPLICATED OR DISCLOSED WITHOUT PRIOR WRITTEN CONSENT OF CINCH.					

PCB LAYOUT WITH ONE HEAT SINK

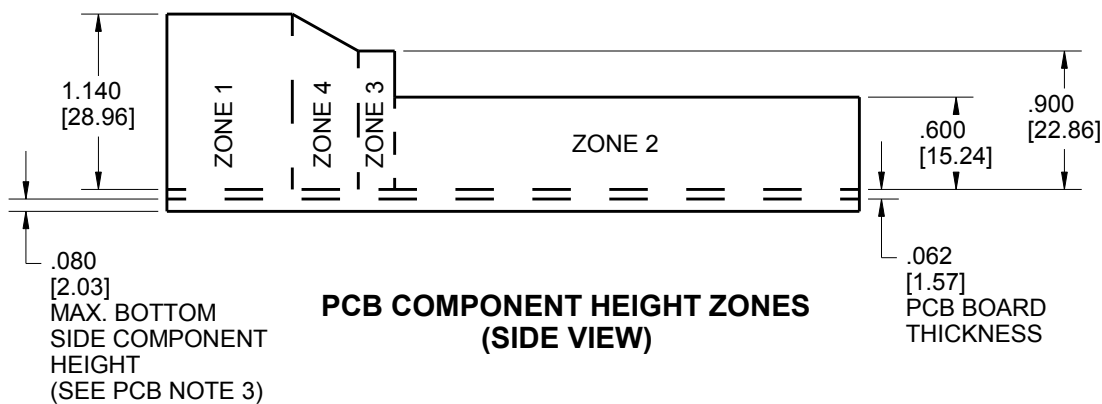
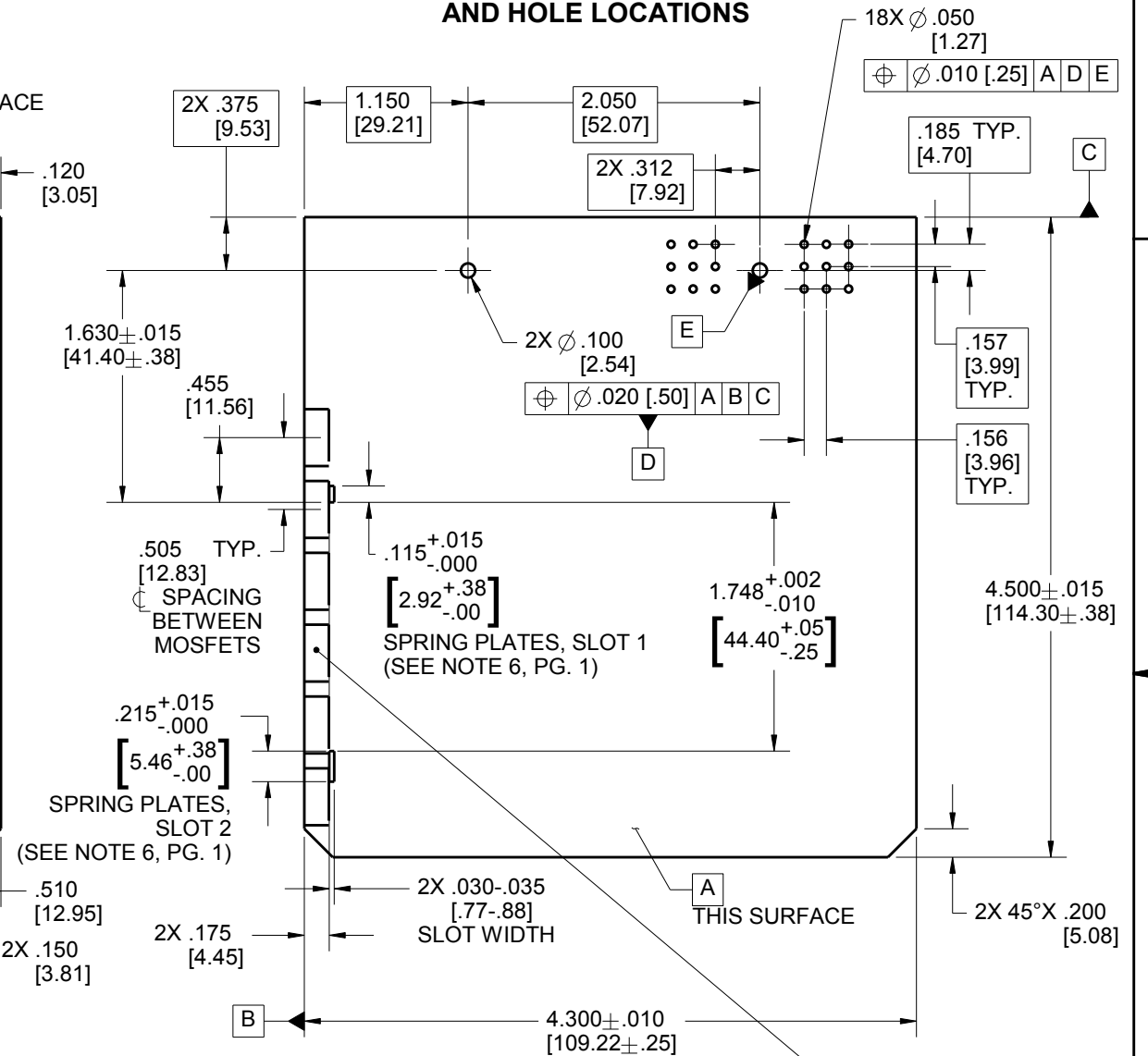
PCB TOP SIDE GENERAL ZONING & KEEP OUT AREAS



PCB BOTTOM SIDE GENERAL ZONING & KEEP OUT AREAS



PCB OVERALL DIMENSIONS AND HOLE LOCATIONS



PCB COMPONENTS HEIGHT LIMIT

	ZONE 1	ZONE 2	ZONE 3	ZONE 4
MAX. HEIGHT FOR COMPONENTS (ABOVE PCB)	1.140"	.600"	.900"	SEE PCB NOTE 4

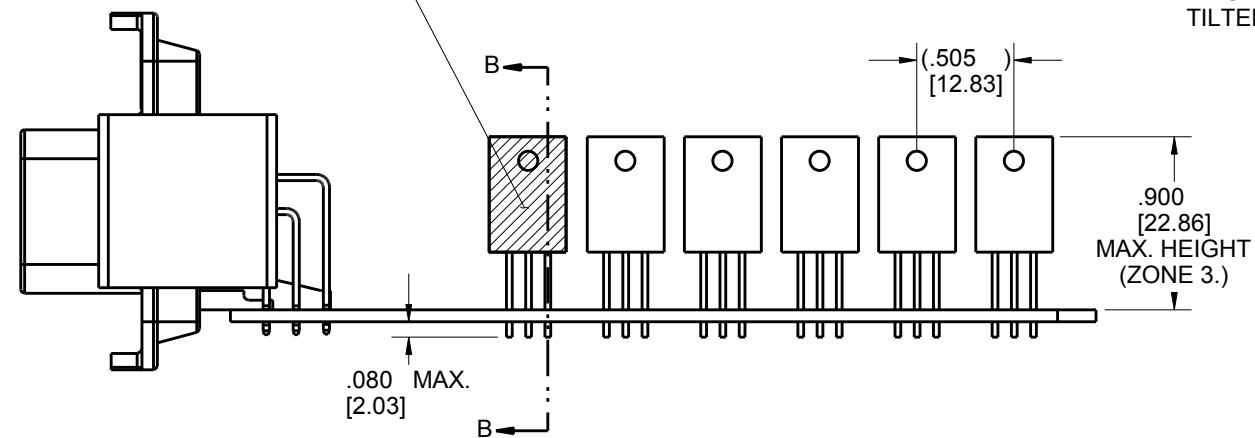
PCB NOTES:

- IF MOSFET SPRINGS ARE USED, ZONE 3 SHOULD CONTAIN ONLY MOSFETS AND TRACES BETWEEN THE SPRINGS AND EDGE OF THE BOARD.
- ON BOTTOM SIDE OF THE PCB, COMPONENTS OR TRACES MUST BE MIN. .100" AWAY FROM THE EDGE OF THE PCB.
- THE BOTTOM SIDE OF THE PCB SHOULD NOT HAVE COMPONENTS OR LEADS THAT EXTEND HIGHER THAN .080" (SEE PG. 6 SIDE VIEW).
- AREA HAS VARIABLE HEIGHT. SEE PCB COMPONENT HEIGHT ZONES VIEW FOR DETAILS.

MOSFET LOCATION(S)
MAX. 6 TO-220 STYLE
MOSFETS THIS SIDE ONLY
THIS SIDE REQUIRES
MOSFET SPRING LABELED
AS "R" (SEE NOTE 6, PG. 1)

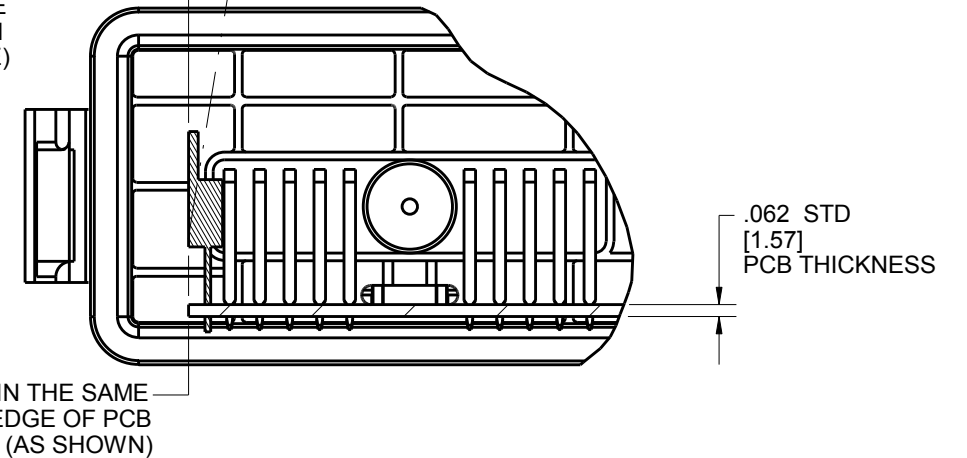
UNITS		ENGLISH		CINCH	
DO NOT SCALE DRAWING		UNLESS OTHERWISE SPECIFIED: ALL DIMENSIONS ARE IN INCHES		1700 FINLEY RD LOMBARD, IL. 60148	
FILLET/RADII .02 MAX		TOLERANCES X \pm .1 XX \pm .01 XXX \pm .005 ANGULAR \pm .5 $^{\circ}$		TITLE 18-WAY HEADERS MODICE SE	
TOLERANCES AND LIMITS APPLY OVER ADDITIVE FINISH		THIS DOCUMENT IS THE PROPERTY OF CINCH. NEITHER THIS DOCUMENT NOR ANY OF THE INFORMATION CONTAINED IN IT MAY BE DUPLICATED OR DISCLOSED WITHOUT PRIOR WRITTEN CONSENT OF CINCH.		PRO/E DRAWING	
CAD FILE NUMBER 5810118032S_HEADERS	DRAWING NUMBER 581 01 18 032 S	CAGE IDENT NO. 71785	SIZE B	SCALE 4:5	REV E
				SHEET 5 OF 6	

APPLY THIN BEAD OF THERMALLY CONDUCTIVE ADHESIVE PASTE TO ENTIRE MOSFET SURFACE. (SEE NOTE 5.)



**SIDE VIEW
REQUIRED TO-220 PACKAGE PROFILE**

FOR EASE OF ASSEMBLY IT IS RECOMMENDED THAT MOSFET(S) BE TILTED UP TO 10° IN POSITIVE DIRECTION (SEE DOTTED LINE)



**REQUIRED TO-220 PACKAGING PROFILE
PARTIAL SECTION B-B**

UNITS ENGLISH		CINCH		1700 FINLEY RD LOMBARD, IL. 60148	
DO NOT SCALE DRAWING		TITLE 18-WAY HEADERS MODICE SE			
UNLESS OTHERWISE SPECIFIED: ALL DIMENSIONS ARE IN INCHES		PRO/E DRAWING			
FILLET/RADII .02 MAX		TOLERANCES X ± .1 XX ± .01 XXX ± .005 ANGULAR ± .5°		CAD FILE NUMBER 5810118032S_HEADERS	DRAWING NUMBER 581 01 18 032 S
TOLERANCES AND LIMITS APPLY OVER ADDITIVE FINISH		CAGE IDENT NO. 71785	SIZE B	SCALE 1:1	REV E
THIS DOCUMENT IS THE PROPERTY OF CINCH. NEITHER THIS DOCUMENT NOR ANY OF THE INFORMATION CONTAINED IN IT MAY BE DUPLICATED OR DISCLOSED WITHOUT PRIOR WRITTEN CONSENT OF CINCH.		SHEET 6 OF 6			

Компания «Океан Электроники» предлагает заключение долгосрочных отношений при поставках импортных электронных компонентов на взаимовыгодных условиях!

Наши преимущества:

- Поставка оригинальных импортных электронных компонентов напрямую с производств Америки, Европы и Азии, а так же с крупнейших складов мира;
- Широкая линейка поставок активных и пассивных импортных электронных компонентов (более 30 млн. наименований);
- Поставка сложных, дефицитных, либо снятых с производства позиций;
- Оперативные сроки поставки под заказ (от 5 рабочих дней);
- Экспресс доставка в любую точку России;
- Помощь Конструкторского Отдела и консультации квалифицированных инженеров;
- Техническая поддержка проекта, помощь в подборе аналогов, поставка прототипов;
- Поставка электронных компонентов под контролем ВП;
- Система менеджмента качества сертифицирована по Международному стандарту ISO 9001;
- При необходимости вся продукция военного и аэрокосмического назначения проходит испытания и сертификацию в лаборатории (по согласованию с заказчиком);
- Поставка специализированных компонентов военного и аэрокосмического уровня качества (Xilinx, Altera, Analog Devices, Intersil, Interpoint, Microsemi, Actel, Aeroflex, Peregrine, VPT, Syfer, Eurofarad, Texas Instruments, MS Kennedy, Miteq, Cobham, E2V, MA-COM, Hittite, Mini-Circuits, General Dynamics и др.);

Компания «Океан Электроники» является официальным дистрибьютором и эксклюзивным представителем в России одного из крупнейших производителей разъемов военного и аэрокосмического назначения «JONHON», а так же официальным дистрибьютором и эксклюзивным представителем в России производителя высокотехнологичных и надежных решений для передачи СВЧ сигналов «FORSTAR».



JONHON

«JONHON» (основан в 1970 г.)

Разъемы специального, военного и аэрокосмического назначения:

(Применяются в военной, авиационной, аэрокосмической, морской, железнодорожной, горно- и нефтедобывающей отраслях промышленности)

«FORSTAR» (основан в 1998 г.)

ВЧ соединители, коаксиальные кабели, кабельные сборки и микроволновые компоненты:

(Применяются в телекоммуникациях гражданского и специального назначения, в средствах связи, РЛС, а так же военной, авиационной и аэрокосмической отраслях промышленности).



Телефон: 8 (812) 309-75-97 (многоканальный)

Факс: 8 (812) 320-03-32

Электронная почта: ocean@oceanchips.ru

Web: <http://oceanchips.ru/>

Адрес: 198099, г. Санкт-Петербург, ул. Калинина, д. 2, корп. 4, лит. А