

Metallized Polypropylene (PP) - Capacitors in Cylindrical Case MKP 6 with High Volume/Capacitance Ratio MKP 6 HP with Higher Current Carrying Capability

Special Features

- Very high volume/capacitance ratio
- Self-healing properties
- With cylindrical aluminium case for bus bar mounting
- Dry construction without electrolyte or oil
- No internal fuse required
- Negative capacitance change versus temperature
- Very low dielectric absorption
- According to RoHS 2011/65/EU
- Customer-specific capacitances or voltages on request

Typical Applications

DC capacitors with high capacitances for applications in power electronics also at non-sinusoidal voltages and currents e.g. in

- Wind power systems
- Inverters

Construction

Dielectric:

Polypropylene (PP) film

Capacitor electrodes:

Vacuum-deposited

Internal construction:



Encapsulation:

Aluminium case with PU-sealing, UL 94 V-0

Terminations:

Screw connection (male or female), screw bolt M12 x 16.

Marking:

Colour: Metallic. Marking: Black on silver label.

Electrical Data

Capacitance range: 75 μF to 4920 μF

Rated voltages: 600 VDC, 700 VDC, 900 VDC, 1100 VDC, 1300 VDC, 1500 VDC

Capacitance tolerances: $\pm 20\%$, $\pm 10\%$ ($\pm 5\%$ available subject to special enquiry)

Operating temperature range:

-40°C to $+85^\circ\text{C}$

Insulation resistance at $+20^\circ\text{C}$:

≥ 5000 sec ($\text{M}\Omega \times \mu\text{F}$)

(mean value: 20 000 sec)

Measuring voltage: 100 V/1 min.

Dielectric loss factor

$\tan \delta_0: 2 \times 10^{-4}$

Test voltage between terminals

at $+25^\circ\text{C}$: $1.5 U_{rDC}$, 10sec

Test voltage between terminals and case

at $+25^\circ\text{C}$ and 50 Hz: $3 kV_{AC}$, 1 min.

Dielectric absorption:

0.05 %

Reliability:

Operational life > 100 000 hours

Failure rate < 50 fit (hot spot $\leq 70^\circ\text{C}$)

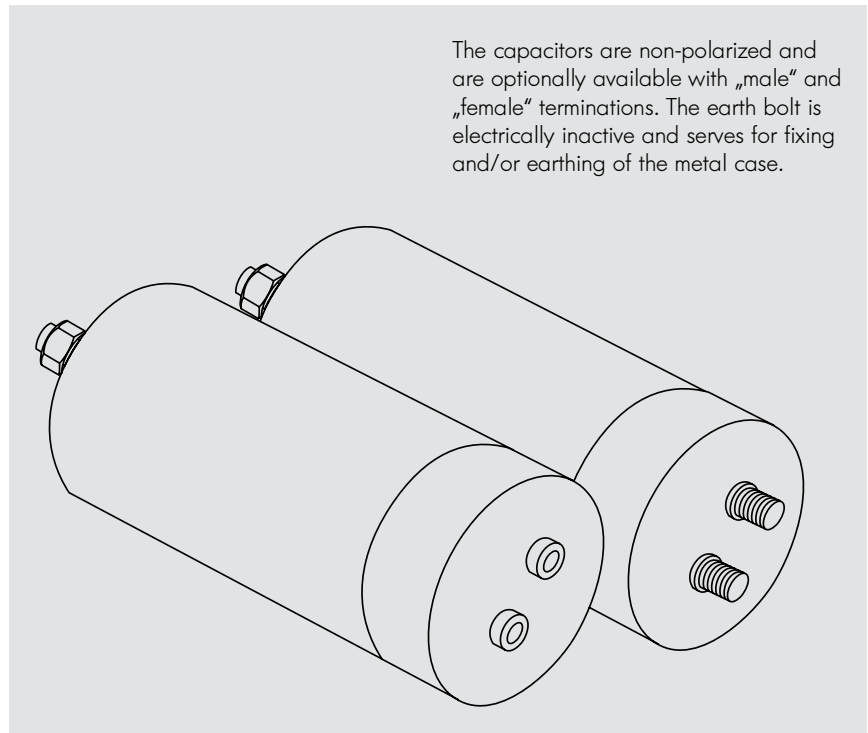
Mounting Recommendation

Excessive mechanical strain, e.g. pressure or shock onto the capacitor body, is to be avoided during mounting and usage of the capacitors.

Packing

Transportation-safe packing in cardboard boxes.

For further details and graphs please refer to Technical Information.



Continuation

General Data

U _R	C _N	D x L mm	I _{rms} (max.)* A	ESR (1 kHz)* mΩ	L _e nH	Approx. weight g	Bestellnummer
600 VDC	320 μF	85 x 60	25	2.1	< 70	380	DCP6I06320EB00_
	460 "	85 x 76	25	2.1	< 70	480	DCP6I06460EC00_
	520 "	85 x 85	30	2.0	< 70	540	DCP6I06520ED00_
	620 "	85 x 95	30	1.9	< 70	600	DCP6I06620EE00_
	760 "	85 x 110	30	1.7	< 70	690	DCP6I06760EF00_
	780 "	85 x 120	30	1.7	< 70	700	DCP6I06780E000_
	950 "	85 x 132	35	1.8	< 70	850	DCP6I06950E100_
	1030 "	85 x 140	35	1.8	< 70	880	DCP6I07103EG00_
	1220 "	116 x 95	40	1.7	< 70	1200	DCP6I07122EN00_
	1500 "	116 x 110	40	1.7	< 70	1390	DCP6I07150EO00_
	1640 "	116 x 120	40	1.6	< 70	1510	DCP6I07164EP00_
	1890 "	116 x 132	40	1.6	< 70	1660	DCP6I07189EQ00_
	2030 "	116 x 140	40	1.6	< 70	1760	DCP6I07203ER00_
700 VDC	230 μF	85 x 60	25	1.9	< 70	380	DCP6K06230EB00_
	330 "	85 x 76	25	1.9	< 70	480	DCP6K06330EC00_
	380 "	85 x 85	30	1.7	< 70	540	DCP6K06380ED00_
	450 "	85 x 95	30	1.7	< 70	600	DCP6K06450EE00_
	550 "	85 x 110	30	1.8	< 70	690	DCP6K06550EF00_
	585 "	85 x 120	30	1.8	< 70	700	DCP6K06585E000_
	690 "	85 x 132	35	1.8	< 70	850	DCP6K06690E100_
	740 "	85 x 140	35	1.8	< 70	880	DCP6K06740EG00_
	890 "	116 x 95	40	1.7	< 70	1200	DCP6K06890EN00_
	1090 "	116 x 110	40	1.7	< 70	1390	DCP6K07109EO00_
	1190 "	116 x 120	40	1.8	< 70	1510	DCP6K07119EP00_
	1370 "	116 x 132	40	1.8	< 70	1660	DCP6K07137EQ00_
	1470 "	116 x 140	40	1.8	< 70	1760	DCP6K07147ER00_
900 VDC	190 μF	85 x 60	30	1.9	< 70	380	DCP6N06190EB00_
	270 "	85 x 76	30	1.9	< 70	480	DCP6N06270EC00_
	315 "	85 x 85	30	1.8	< 70	540	DCP6N06315ED00_
	360 "	85 x 95	30	1.7	< 70	600	DCP6N06360EE00_
	450 "	85 x 110	30	1.7	< 70	690	DCP6N06450EF00_
	480 "	85 x 120	35	1.8	< 70	700	DCP6N06480E000_
	550 "	85 x 132	35	1.8	< 70	850	DCP6N06550E100_
	620 "	85 x 140	35	1.8	< 70	880	DCP6N06620EG00_
	730 "	116 x 95	40	1.7	< 70	1200	DCP6N06730EN00_
	900 "	116 x 110	40	1.7	< 70	1390	DCP6N06900EO00_
	980 "	116 x 120	40	1.8	< 70	1510	DCP6N06980EP00_
	1130 "	116 x 132	40	1.8	< 70	1660	DCP6N07113EQ00_
	1200 "	116 x 140	40	1.8	< 70	1760	DCP6N07120ER00_
1100 VDC	120 μF	85 x 60	30	2.0	< 70	380	DCP6P06120EB00_
	170 "	85 x 76	30	2.0	< 70	480	DCP6P06170EC00_
	200 "	85 x 85	30	1.9	< 70	540	DCP6P06200ED00_
	230 "	85 x 95	30	1.9	< 70	600	DCP6P06230EE00_
	290 "	85 x 110	30	1.8	< 70	690	DCP6P06290EF00_
	325 "	85 x 120	40	1.8	< 70	700	DCP6P06325E000_
	360 "	85 x 132	40	1.8	< 70	850	DCP6P06360E100_
	390 "	85 x 140	40	2.0	< 70	880	DCP6P06390EG00_
	470 "	116 x 95	40	1.8	< 70	1200	DCP6P06470EN00_
	580 "	116 x 110	40	1.8	< 70	1390	DCP6P06580EO00_
	630 "	116 x 120	40	1.7	< 70	1510	DCP6P06630EP00_
	720 "	116 x 132	40	1.7	< 70	1660	DCP6P06720EQ00_
	780 "	116 x 140	40	1.6	< 70	1760	DCP6P06780ER00_

Contacts can handle: peak currents \hat{I} up to 5 kA
surge currents I_S up to 20 kA

Customer-specific capacitances or voltages on request

* General guide

Part number completion:	
Tolerance:	20 % = M
	10 % = K
	5 % = J
Packing:	bulk = S
Connection:	male = OM
	female = OF

Rights reserved to amend design data without prior notification.

Continuation

General Data

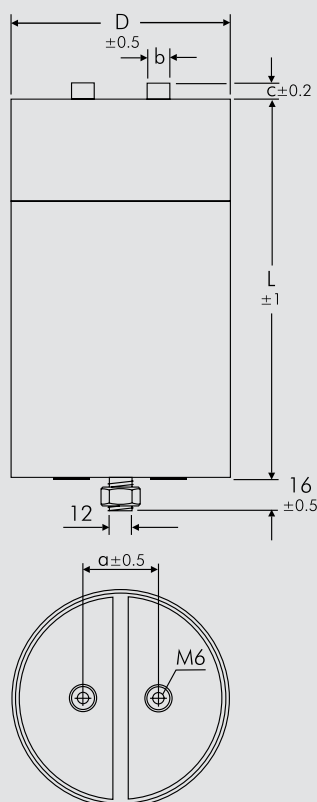
U_R	C_N	D x L mm	I_{rms} (max.)* A	ESR (1 kHz)* m Ω	L_e nH	Approx. weight g	Part number
1300 VDC	85 μ F	85 x 60	30	2.1	< 70	380	DCP6R25850EB00_
	120 "	85 x 76	30	2.1	< 70	480	DCP6R26120EC00_
	135 "	85 x 85	30	1.9	< 70	540	DCP6R26135ED00_
	160 "	85 x 95	30	1.9	< 70	600	DCP6R26160EE00_
	200 "	85 x 110	30	1.8	< 70	690	DCP6R26200EF00_
	215 "	85 x 120	30	1.8	< 70	700	DCP6R26215EO00_
	250 "	85 x 132	40	2.2	< 70	850	DCP6R26250E100_
	270 "	85 x 140	40	2.2	< 70	880	DCP6R26270EG00_
	320 "	116 x 95	40	1.8	< 70	1200	DCP6R26320EN00_
	390 "	116 x 110	40	1.8	< 70	1390	DCP6R26390EO00_
	430 "	116 x 120	40	1.7	< 70	1510	DCP6R26430EP00_
	490 "	116 x 132	40	1.7	< 70	1660	DCP6R26490EQ00_
	530 "	116 x 140	40	1.6	< 70	1760	DCP6R26530ER00_
	1500 VDC	75 μ F	85 x 60	25	2.5	< 70	380
110 "		85 x 76	25	2.5	< 70	480	DCP6S06110EC00_
120 "		85 x 85	25	2.3	< 70	540	DCP6S06120ED00_
145 "		85 x 95	30	2.3	< 70	600	DCP6S06145EE00_
180 "		85 x 110	30	2.3	< 70	690	DCP6S06180EF00_
195 "		85 x 120	40	2.4	< 70	700	DCP6S06195EO00_
225 "		85 x 132	40	2.4	< 70	850	DCP6S06225E100_
240 "		85 x 140	40	2.5	< 70	880	DCP6S06240EG00_
290 "		116 x 95	40	1.8	< 70	1200	DCP6S06290EN00_
355 "		116 x 110	40	1.8	< 70	1390	DCP6S06355EO00_
390 "		116 x 120	40	1.7	< 70	1510	DCP6S06390EP00_
445 "		116 x 132	40	1.7	< 70	1660	DCP6S06445EQ00_
480 "		116 x 140	40	1.7	< 70	1760	DCP6S06480ER00_

Contacts can handle: peak currents \hat{I} up to 5 kA
surge currents I_S up to 20 kA

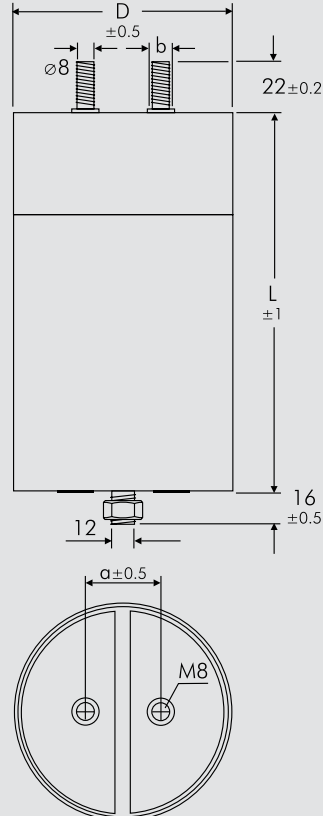
Customer-specific capacitances or voltages on request

* General guide

female



male



Part number completion:

Tolerance: 20 % = M
10 % = K
5 % = J
Packing: bulk = S
Connection: male = 0M
female = 0F

D	L	a	b	c
85	60	32	12	6
85	76	32	12	6
85	85	32	12	6
85	95	32	12	6
85	110	32	12	6
85	120	32	12	6
85	132	32	12	6
85	140	32	12	6
116	95	50	14	5
116	110	50	14	5
116	120	50	14	5
116	132	50	14	5
116	140	50	14	5

Dims. in mm.

Rights reserved to amend design data without prior notification.



Continuation: Versions with increased dimensioning for higher current carrying capability

General Data

U _R	C _N	D x L mm	I _{rms} (max.)* A	ESR (1 kHz)* mΩ	L _e nH	Approx. weight g	Part number
600 VDC	640 μF	85 x 110	50	1.3	< 50	690	DCHPIO6640EF00_
	920 "	85 x 140	50	1.3	< 50	880	DCHPIO6920EG00_
	1040 "	85 x 155	60	1.3	< 50	980	DCHPIO7104EH00_
	1240 "	85 x 185	60	1.3	< 50	1165	DCHPIO7124EI00_
	1520 "	85 x 210	60	1.2	< 50	1400	DCHPIO7152E200_
	1660 "	85 x 235	60	1.2	< 50	1480	DCHPIO7166EJ00_
	1900 "	85 x 252	60	1.2	< 50	1590	DCHPIO7190EK00_
	2060 "	85 x 260	60	1.2	< 50	1640	DCHPIO7206EL00_
	2490 "	85 x 345	70	1.0	< 50	2190	DCHPIO7249EM00_
	1260 "	116 x 110	80	1.2	< 50	1385	DCHPIO7126EO00_
	1820 "	116 x 140	80	1.2	< 50	1765	DCHPIO7182ER00_
	2060 "	116 x 158	80	1.1	< 50	1990	DCHPIO7206ES00_
	2440 "	116 x 185	80	1.1	< 50	2330	DCHPIO7244ET00_
	3000 "	116 x 215	80	1.0	< 50	2710	DCHPIO7300EU00_
	3280 "	116 x 230	90	1.0	< 50	2900	DCHPIO7328E700_
	3780 "	116 x 255	90	1.0	< 50	3210	DCHPIO7378EV00_
	4060 "	116 x 295	90	1.0	< 50	3720	DCHPIO7406EW00_
	4920 "	116 x 342	100	0.7	< 50	4350	DCHPIO7492EX00_
700 VDC	460 μF	85 x 110	50	1.3	< 50	690	DCHPK06460EF00_
	660 "	85 x 140	50	1.3	< 50	880	DCHPK06660EG00_
	760 "	85 x 155	60	1.2	< 50	980	DCHPK06760EH00_
	900 "	85 x 185	60	1.2	< 50	1165	DCHPK06900EI00_
	1100 "	85 x 210	60	1.2	< 50	1400	DCHPK07110E200_
	1200 "	85 x 235	60	1.2	< 50	1480	DCHPK07120EJ00_
	1380 "	85 x 252	70	1.1	< 50	1590	DCHPK07138EK00_
	1480 "	85 x 260	70	1.1	< 50	1640	DCHPK07148EL00_
	1800 "	85 x 345	80	1.0	< 50	2190	DCHPK07180EM00_
	920 "	116 x 110	80	1.3	< 50	1385	DCHPK06920EO00_
	1320 "	116 x 140	80	1.3	< 50	1765	DCHPK07132ER00_
	1500 "	116 x 158	80	1.3	< 50	1990	DCHPK07150ES00_
	1780 "	116 x 185	80	1.2	< 50	2330	DCHPK07178ET00_
	2180 "	116 x 215	90	1.2	< 50	2710	DCHPK07218EU00_
	2380 "	116 x 230	90	1.0	< 50	2900	DCHPK07238E700_
	2740 "	116 x 255	90	1.0	< 50	3210	DCHPK07274EV00_
	2940 "	116 x 295	90	1.0	< 50	3720	DCHPK07294EW00_
	3570 "	116 x 342	110	0.7	< 50	4350	DCHPK07357EX00_
900 VDC	380 μF	85 x 110	50	1.4	< 50	690	DCHPN06380EF00_
	540 "	85 x 140	50	1.4	< 50	880	DCHPN06540EG00_
	630 "	85 x 155	60	1.3	< 50	980	DCHPN06630EH00_
	720 "	85 x 185	60	1.3	< 50	1165	DCHPN06720EI00_
	900 "	85 x 210	60	1.1	< 50	1400	DCHPN06900E200_
	1000 "	85 x 235	70	1.0	< 50	1480	DCHPN07100EJ00_
	1140 "	85 x 252	70	0.9	< 50	1590	DCHPN07114EK00_
	1240 "	85 x 260	70	0.9	< 50	1640	DCHPN07124EL00_
	1500 "	85 x 345	80	0.7	< 50	2190	DCHPN07150EM00_

Contacts can handle: peak currents \hat{I} up to 10 kA
surge currents I_s up to 40 kA

Customer-specific capacitances or voltages on request

* General guide

Part number completion:	
Tolerance:	20 % = M
	10 % = K
	5 % = J
Packing:	bulk = S
Connection:	male = OM
	female = OF

Rights reserved to amend design data without prior notification.

Continuation page 131

Continuation

General Data

U _R	C _N	D x L mm	I _{rms} (max.)* A	ESR (1 kHz)* mΩ	L _e nH	Approx. weight g	Part number
900 VDC	760 μF	116 x 110	80	1.3	< 50	1385	DCHPN06760EO00
	1100 "	116 x 140	80	1.3	< 50	1765	DCHPN07110ER00
	1240 "	116 x 158	80	1,3	< 50	1990	DCHPN07124ES00
	1460 "	116 x 185	80	1.2	< 50	2330	DCHPN07146ET00
	1800 "	116 x 215	90	1.2	< 50	2710	DCHPN07180EU00
	1960 "	116 x 230	90	1.0	< 50	2900	DCHPN07196E700
	2260 "	116 x 255	90	1.0	< 50	3210	DCHPN07226EV00
	2400 "	116 x 295	90	1.0	< 50	3720	DCHPN07240EW00
	2940 "	116 x 342	110	0.7	< 50	4350	DCHPN07294EX00
1100 VDC	240 μF	85 x 110	50	1.3	< 50	690	DCHPP06240EF00
	340 "	85 x 140	50	1.2	< 50	880	DCHPP06340EG00
	400 "	85 x 155	50	1.2	< 50	980	DCHPP06400EH00
	460 "	85 x 185	50	1.2	< 50	1165	DCHPP06460EI00
	580 "	85 x 210	60	1.2	< 50	1400	DCHPP06580E200
	640 "	85 x 235	60	1.1	< 50	1480	DCHPP06640EJ00
	720 "	85 x 252	60	1.1	< 50	1590	DCHPP06720EK00
	780 "	85 x 260	60	1.2	< 50	1640	DCHPP06780EL00
	960 "	85 x 345	80	1.0	< 50	2190	DCHPP06960EM00
	480 "	116 x 110	80	1.4	< 50	1385	DCHPP06480EO00
	700 "	116 x 140	80	1.3	< 50	1765	DCHPP06700ER00
	780 "	116 x 158	80	1.3	< 50	1990	DCHPP06780ES00
	940 "	116 x 185	80	1.3	< 50	2330	DCHPP06940ET00
	1160 "	116 x 215	90	1.2	< 50	2710	DCHPP07116EU00
	1260 "	116 x 230	90	1.2	< 50	2900	DCHPP07126E700
	1440 "	116 x 255	90	1.1	< 50	3210	DCHPP07144EV00
	1560 "	116 x 295	90	1.0	< 50	3720	DCHPP07156EV00
1890 "	116 x 342	110	0.8	< 50	4350	DCHPP07189EX00	
1300 VDC	170 μF	85 x 110	50	1.3	< 50	690	DCHPR26170EF00
	240 "	85 x 140	50	1.3	< 50	880	DCHPR26240EG00
	270 "	85 x 155	50	1.2	< 50	980	DCHPR26270EH00
	320 "	85 x 185	60	1.2	< 50	1165	DCHPR26320EI00
	400 "	85 x 210	60	1.2	< 50	1400	DCHPR26400E200
	440 "	85 x 235	60	1.1	< 50	1480	DCHPR26440EJ00
	500 "	85 x 252	60	1.1	< 50	1590	DCHPR26500EK00
	540 "	85 x 260	60	1.2	< 50	1640	DCHPR26540EL00
	660 "	85 x 345	80	1.0	< 50	2190	DCHPR26660EM00
	330 "	116 x 110	80	1.4	< 50	1385	DCHPR26330EO00
	480 "	116 x 140	80	1.4	< 50	1765	DCHPR26480ER00
	540 "	116 x 158	80	1.3	< 50	1990	DCHPR26540ES00
	640 "	116 x 185	80	1.3	< 50	2330	DCHPR26640ET00
	780 "	116 x 215	90	1.2	< 50	2710	DCHPR26780EU00
	860 "	116 x 230	90	1.2	< 50	2900	DCHPR26860E700
	980 "	116 x 255	90	1.1	< 50	3210	DCHPR26980EV00
	1060 "	116 x 295	90	1.1	< 50	3720	DCHPR27106EV00
	1290 "	116 x 342	110	0.8	< 50	4350	DCHPR27129EX00

Contacts can handle: peak currents \hat{I} up to 10 kA
surge currents I_S up to 40 kA

Customer-specific capacitances or voltages on request

* General guide

Part number completion:

Tolerance: 20 % = M

10 % = K

5 % = J

Packing: bulk = S

Connection: male = 0M

female = 0F

Rights reserved to amend design data without prior notification.

Continuation page 132

Continuation

General Data

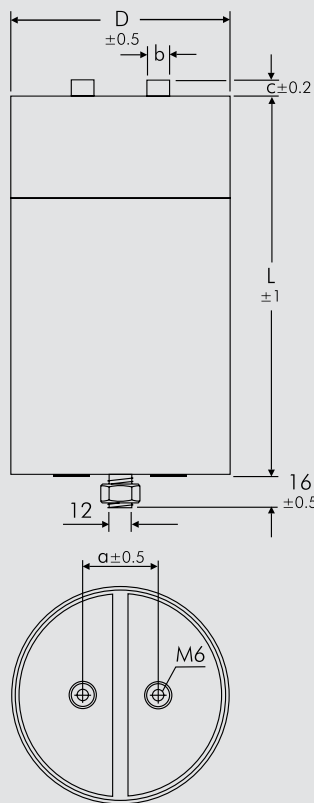
U_R	C_N	D x L mm	I_{rms} (max.)* A	ESR (1 kHz)* m Ω	L_e nH	Approx. weight g	Part number
1500 VDC	150 μ F	85 x 110	50	1.3	< 50	690	DCHPS06150EF00_
	220 "	85 x 140	50	1.3	< 50	880	DCHPS06220EG00_
	240 "	85 x 155	50	1.2	< 50	980	DCHPS06240EH00_
	290 "	85 x 185	60	1.2	< 50	1165	DCHPS06290EI00_
	360 "	85 x 210	60	1.2	< 50	1400	DCHPS06360EJ00_
	390 "	85 x 235	60	1.1	< 50	1480	DCHPS06390EJ00_
	450 "	85 x 252	60	1.1	< 50	1590	DCHPS06450EK00_
	480 "	85 x 260	60	1.1	< 50	1640	DCHPS06480EL00_
	585 "	85 x 345	80	1.0	< 50	2190	DCHPS06585EM00_
	300 "	116 x 110	80	1.5	< 50	1385	DCHPS06300EO00_
	430 "	116 x 140	80	1.4	< 50	1765	DCHPS06430ER00_
	490 "	116 x 158	80	1.4	< 50	1990	DCHPS06490ES00_
	580 "	116 x 185	80	1.4	< 50	2330	DCHPS06580ET00_
	710 "	116 x 215	90	1.3	< 50	2710	DCHPS06710EU00_
	780 "	116 x 230	90	1.2	< 50	2900	DCHPS06780E700_
	890 "	116 x 255	90	1.2	< 50	3210	DCHPS06890EV00_
	960 "	116 x 295	90	1.1	< 50	3720	DCHPS06960EW00_
	1170 "	116 x 342	110	0.8	< 50	4350	DCHPS07117EX00_

Contacts can handle: peak currents \hat{I} up to 10 kA
surge currents I_S up to 40 kA

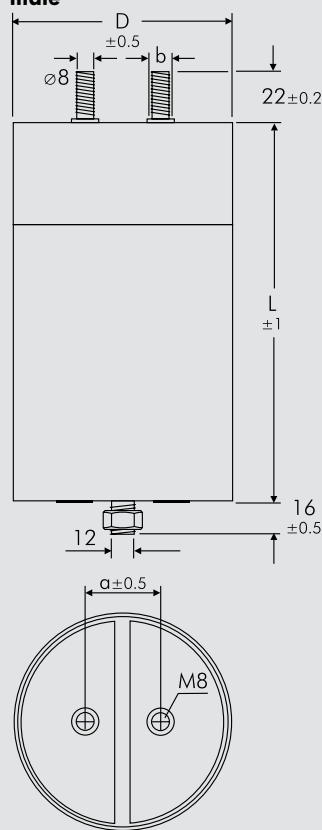
Customer-specific capacitances or voltages on request

* General guide

female



male



Part number completion:

Tolerance: 20 % = M
10 % = K
5 % = J
Packing: bulk = S
Connection: male = OM
female = OF

D	L	a	b	c
85	110	32	12	6
85	140	32	12	6
85	155	32	12	6
85	185	32	12	6
85	210	32	12	6
85	235	32	12	6
85	252	32	12	6
85	260	32	12	6
85	345	32	12	6
116	110	50	14	5
116	140	50	14	5
116	158	50	14	5
116	185	50	14	5
116	215	50	14	5
116	230	50	14	5
116	255	50	14	5
116	295	50	14	5
116	342	50	14	5

Dims. in mm.

Rights reserved to amend design data without prior notification.



WIMA Part Number System

A WIMA part number consists of 18 digits and is composed as follows:

- Field 1 - 4: Type description
- Field 5 - 6: Rated voltage
- Field 7 - 10: Capacitance
- Field 11 - 12: Size and PCM
- Field 13 - 14: Version code (e.g. Snubber versions)
- Field 15: Capacitance tolerance
- Field 16: Packing
- Field 17 - 18: Pin length (untaped)

1	2	3	4	5	6	7	8	9	10	11	12	13	14	15	16	17	18
M	K	S	2	C	0	2	1	0	0	1	A	0	0	M	S	S	D
MKS 2				63 VDC		0.01 µF			2.5x6.5x7.2		-		20%	bulk	6-2		

<p>Type description:</p> <p>SMD-PET = SMDT SMD-PEN = SMDN SMD-PPS = SMDI FKP 02 = FKPO MKS 02 = MKS0 FKS 2 = FKS2 FKP 2 = FKP2 MKS 2 = MKS2 MKP 2 = MKP2 FKS 3 = FKS3 FKP 3 = FKP3 MKS 4 = MKS4 MKP 4 = MKP4 MKP 10 = MKP1 FKP 4 = FKP4 FKP 1 = FKP1 MKP-X2 = MKX2 MKP-X2 R = MKXR MKP-X1 R = MKX1 MKP-Y2 = MKY2 MP 3-X2 = MPX2 MP 3-X1 = MPX1 MP 3-Y2 = MPY2 MP 3R-Y2 = MPRY Snubber MKP = SNMP Snubber FKP = SNFP GTO MKP = GTOM DC-LINK MKP 3 = DCP3 DC-LINK MKP 4 = DCP4 DC-LINK MKP 4S = DCP4S DC-LINK MKP 5 = DCP5 DC-LINK MKP 6 = DCP6 DC-LINK HC = DCHC</p>	<p>Rated voltage:</p> <p>50 VDC = B0 63 VDC = C0 100 VDC = D0 250 VDC = F0 400 VDC = G0 450 VDC = H0 600 VDC = I0 630 VDC = J0 700 VDC = K0 800 VDC = L0 850 VDC = M0 900 VDC = N0 1000 VDC = O1 1100 VDC = P0 1200 VDC = Q0 1250 VDC = R0 1500 VDC = S0 1600 VDC = T0 2000 VDC = U0 2500 VDC = V0 3000 VDC = W0 4000 VDC = X0 6000 VDC = Y0 250 VAC = 0W 275 VAC = 1W 300 VAC = 2W 305 VAC = AW 400 VAC = 3W 440 VAC = 4W 500 VAC = 5W ...</p>	<p>Capacitance:</p> <p>22 pF = 0022 47 pF = 0047 100 pF = 0100 150 pF = 0150 220 pF = 0220 330 pF = 0330 470 pF = 0470 680 pF = 0680 1000 pF = 1100 1500 pF = 1150 2200 pF = 1220 3300 pF = 1330 4700 pF = 1470 6800 pF = 1680 0.01 µF = 2100 0.022 µF = 2220 0.047 µF = 2470 0.1 µF = 3100 0.22 µF = 3220 0.47 µF = 3470 1 µF = 4100 2.2 µF = 4220 4.7 µF = 4470 10 µF = 5100 22 µF = 5220 47 µF = 5470 100 µF = 6100 220 µF = 6220 1000 µF = 7100 1500 µF = 7150 ...</p>	<p>Size:</p> <p>4.8x3.3x3 Size 1812 = KA 4.8x3.3x4 Size 1812 = KB 5.7x5.1x3.5 Size 2220 = QA 5.7x5.1x4.5 Size 2220 = QB 7.2x6.1x3 Size 2824 = TA 7.2x6.1x5 Size 2824 = TB 10.2x7.6x5 Size 4030 = VA 12.7x10.2x6 Size 5040 = XA 15.3x13.7x7 Size 6054 = YA 2.5x7x4.6 PCM 2.5 = 0B 3x7.5x4.6 PCM 2.5 = 0C 2.5x6.5x7.2 PCM 5 = 1A 3x7.5x7.2 PCM 5 = 1B 2.5x7x10 PCM 7.5 = 2A 3x8.5x10 PCM 7.5 = 2B 3x9x13 PCM 10 = 3A 4x9x13 PCM 10 = 3C 5x11x18 PCM 15 = 4B 6x12.5x18 PCM 15 = 4C 5x14x26.5 PCM 22.5 = 5A 6x15x26.5 PCM 22.5 = 5B 9x19x31.5 PCM 27.5 = 6A 11x21x31.5 PCM 27.5 = 6B 9x19x41.5 PCM 37.5 = 7A 11x22x41.5 PCM 37.5 = 7B 19x31x56 PCM 48.5 = 8D 35x50x57 PCM 52.5 = 9F ...</p>	<p>Tolerance:</p> <p>±20% = M ±10% = K ±5% = J ±2.5% = H ±1% = E ...</p> <p>Packing:</p> <p>AMMO H16.5 340x340 = A AMMO H16.5 490x370 = B AMMO H18.5 340x340 = C AMMO H18.5 490x370 = D REEL H16.5 360 = F REEL H16.5 500 = H REEL H18.5 360 = I REEL H18.5 500 = J ROLL H16.5 = N ROLL H18.5 = O BLISTER W12 180 = P BLISTER W12 330 = Q BLISTER W16 330 = R BLISTER W24 330 = T Bulk/TPS Standard = S ...</p>													

<p>Version code:</p> <p>Standard = 00 Version A1 = 1A Version A1.1.1 = 1B Version A2 = 2A ...</p>	<p>Pin length (untaped)</p> <p>3.5 ±0.5 = C9 6-2 = SD 16 ±1 = P1 ...</p>
--	--

The data on this page is not complete and serves only to explain the part number system. Part number information is listed on the pages of the respective WIMA range.

Компания «Океан Электроники» предлагает заключение долгосрочных отношений при поставках импортных электронных компонентов на взаимовыгодных условиях!

Наши преимущества:

- Поставка оригинальных импортных электронных компонентов напрямую с производств Америки, Европы и Азии, а так же с крупнейших складов мира;
- Широкая линейка поставок активных и пассивных импортных электронных компонентов (более 30 млн. наименований);
- Поставка сложных, дефицитных, либо снятых с производства позиций;
- Оперативные сроки поставки под заказ (от 5 рабочих дней);
- Экспресс доставка в любую точку России;
- Помощь Конструкторского Отдела и консультации квалифицированных инженеров;
- Техническая поддержка проекта, помощь в подборе аналогов, поставка прототипов;
- Поставка электронных компонентов под контролем ВП;
- Система менеджмента качества сертифицирована по Международному стандарту ISO 9001;
- При необходимости вся продукция военного и аэрокосмического назначения проходит испытания и сертификацию в лаборатории (по согласованию с заказчиком);
- Поставка специализированных компонентов военного и аэрокосмического уровня качества (Xilinx, Altera, Analog Devices, Intersil, Interpoint, Microsemi, Actel, Aeroflex, Peregrine, VPT, Syfer, Eurofarad, Texas Instruments, MS Kennedy, Miteq, Cobham, E2V, MA-COM, Hittite, Mini-Circuits, General Dynamics и др.);

Компания «Океан Электроники» является официальным дистрибьютором и эксклюзивным представителем в России одного из крупнейших производителей разъемов военного и аэрокосмического назначения «JONHON», а так же официальным дистрибьютором и эксклюзивным представителем в России производителя высокотехнологичных и надежных решений для передачи СВЧ сигналов «FORSTAR».



JONHON

«JONHON» (основан в 1970 г.)

Разъемы специального, военного и аэрокосмического назначения:

(Применяются в военной, авиационной, аэрокосмической, морской, железнодорожной, горно- и нефтедобывающей отраслях промышленности)

«FORSTAR» (основан в 1998 г.)

ВЧ соединители, коаксиальные кабели, кабельные сборки и микроволновые компоненты:

(Применяются в телекоммуникациях гражданского и специального назначения, в средствах связи, РЛС, а так же военной, авиационной и аэрокосмической отраслях промышленности).



Телефон: 8 (812) 309-75-97 (многоканальный)

Факс: 8 (812) 320-03-32

Электронная почта: ocean@oceanchips.ru

Web: <http://oceanchips.ru/>

Адрес: 198099, г. Санкт-Петербург, ул. Калинина, д. 2, корп. 4, лит. А