



8-Channel Latchable Multiplexers

DG528/DG529

General Description

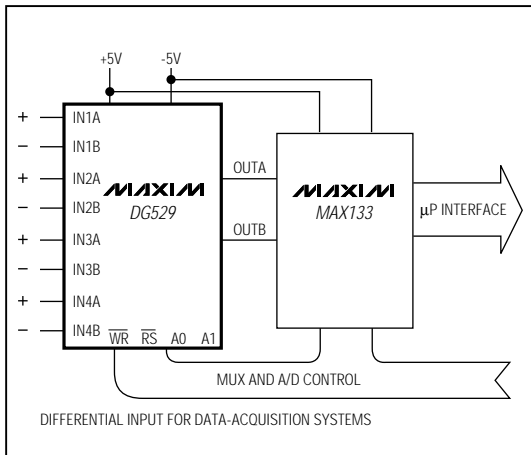
Maxim's DG528/DG529 are monolithic, 8-channel, CMOS multiplexers with on-board address and control latches that simplify design and reduce board space in microprocessor-based applications. The DG528 is a single-ended, 1-of-8 multiplexer, while the DG529 is a differential, 2-of-8 multiplexer. These devices can operate as multiplexers or demultiplexers.

The DG528/DG529 have break-before-make switching to prevent momentary shorting of the input signals. Each device operates with dual supplies ($\pm 4.5V$ to $\pm 20V$) or a single supply (+5V to +30V). All logic inputs are TTL and CMOS compatible. The Maxim DG528/DG529 are pin and electrically compatible with the industry-standard DG528/DG529.

Applications

- Data-Acquisition Systems
- Automatic Test Equipment
- Avionics and Military Systems
- Communication Systems
- Microprocessor-Controlled Systems
- Audio-Signal Multiplexing

Typical Operating Circuit



Features

- ◆ Low-Power, Monolithic CMOS Design
- ◆ On-Board Address Latches
- ◆ Break-Before-Make Input Switches
- ◆ TTL and CMOS Logic Compatible
- ◆ Microprocessor-Bus Compatible
- ◆ $rDS(ON) < 400\Omega$
- ◆ Pin and Electrically Compatible with the Industry-Standard DG528/DG529 and ADG528/ADG529

Ordering Information

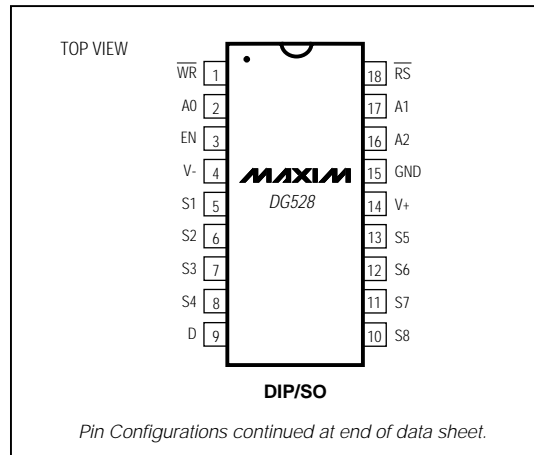
PART	TEMP. RANGE	PIN-PACKAGE
DG528CJ	0°C to +70°C	18 Plastic DIP
DG528CWN	0°C to +70°C	18 Wide SO
DG528CK	0°C to +70°C	18 CERDIP
DG528C/D	0°C to +70°C	Dice*
DG528DJ	-40°C to +85°C	18 Plastic DIP
DG528DN	-40°C to +85°C	20 PLCC
DG528EWN	-40°C to +85°C	18 Wide SO
DG528DK	-40°C to +85°C	18 CERDIP
DG528AZ	-55°C to +125°C	20 LCC**
DG528AK	-55°C to +125°C	18 CERDIP**

Ordering Information continued at end of data sheet.

* Contact factory for dice specifications.

** Contact factory for availability and processing to MIL-STD-883.

Pin Configurations



8-Channel Latchable Multiplexers

DG528/DG529

ABSOLUTE MAXIMUM RATINGS

Voltage Referenced to V-	18-Pin Wide SO (derate 9.52mW/°C above +70°C)762mW
V+	+44V
GND	+25V
Digital Inputs Vs, Vd	V- -2V to V+ +2V
or 20mA, whichever occurs first.	Operating Temperature Ranges
Current (any terminal, except S or D)	30mA
Continuous Current, S or D	DG52_C_0°C to +70°C
Peak Current, S or D	20mA
(pulsed at 1ms, 10% duty cycle max)	50mA
Continuous Power Dissipation (TA = +70°C) (Note 1)	DG52_D_/E_-40°C to +85°C
18-Pin Plastic DIP (derate 11.11mW/°C above +70°C) ..	889mW
	DG52_A_-55°C to +125°C
	Storage Temperature Range-65°C to +150°C
	Lead Temperature (soldering, 10sec)+300°C

Note 1: All leads are soldered or welded to PC board.

Stresses beyond those listed under "Absolute Maximum Ratings" may cause permanent damage to the device. These are stress ratings only, and functional operation of the device at these or any other conditions beyond those indicated in the operational sections of the specifications is not implied. Exposure to absolute maximum rating conditions for extended periods may affect device reliability.

ELECTRICAL CHARACTERISTICS

(V+ = 15V, V- = -15V, VEN = 2.4V, WR = 0V, RS = 2.4V, TA = TMIN to TMAX, unless otherwise noted.)

PARAMETER	SYMBOL	CONDITIONS	DG52_A			DG52_C/D/E			UNITS			
			MIN	TYP	MAX	MIN	TYP	MAX				
SWITCH												
Analog-Signal Range	VANALOG	(Note 2)	-15		15	-15		15	V			
Drain-Source On-Resistance	rDS(ON)	VD = ±10V, VAL = 0.8V, IS = -200µA, VAH = 2.4 (Note 3)	TA = +25°C, TMIN		270	400	270		450	Ω		
			TA = TMAX		500		500					
Greatest Change in Drain-Source On-Resistance Between Channels	ΔrDS(ON)	-10V < VS < 10V	TA = +25°C		6		6		%			
Source-Off Leakage Current	IS(OFF)	VEN = 0V, VS = ±10V, VD = ±10V	TA = +25°C		-1	-0.005	1	-5	-0.005	5	nA	
			TA = TMAX		-50	-0.005	50	-50	-0.005	50		
Drain-Off Leakage Current	ID(OFF)	VEN = 0V, VS = ±10V, VD = ±10V	DG528	TA = +25°C		-10	-0.015	10	-20	-0.015	20	nA
				TA = TMAX		-200	-0.015	200	-200	-0.015	200	
			DG529	TA = +25°C		-10	-0.008	10	-20	-0.008	20	
				TA = TMAX		-100	-0.008	100	-100	-0.008	100	
Drain-On Leakage Current (Notes 3, 4)	ID(ON)	VAH = 2.4V, VS = VD = ±10V, VAL = 0.8V, VEN = 2.4V	DG528	TA = +25°C		-10	-0.03	10	-20	-0.03	20	nA
				TA = TMAX		-200	-0.03	200	-200	-0.03	200	
			DG529	TA = +25°C		-10	-0.015	10	-20	-0.015	20	
				TA = TMAX		-100	-0.015	100	-100	-0.015	100	
INPUT												
Address Input Current, Input Voltage High	IAH	VA = 2.4V	TA = +25°C		-1	-0.002	1	-1	-0.002	1	µA	
			TA = TMAX		-30		-30					
		VA = 15V	TA = +25°C		-1	-0.006	1	-1	-0.006	1		
			TA = TMAX		30		30					
Address Input Current, Input Voltage Low	I _{AL}	VA = RS = WR = 0V, VEN = 0V or 2.4V	TA = +25°C		-1	-0.002	1	-1	-0.002	1	µA	
			TA = TMAX		-30	-0.01		-30	-0.01			

8-Channel Latchable Multiplexers

DG528/DG529

ELECTRICAL CHARACTERISTICS

(V₊ = 15V, V₋ = -15V, V_{EN} = 2.4V, \overline{WR} = 0V, \overline{RS} = 2.4V, T_A = T_{MIN} to T_{MAX}, unless otherwise noted.)

PARAMETER	SYMBOL	CONDITIONS	DG52_A			DG52_C/D/E			UNITS
			MIN	TYP	MAX	MIN	TYP	MAX	
DYNAMIC									
Switching Time of Multiplexer	t _{TRANS}	Figure 1	T _A = +25°C		0.4	1	1.5		μs
Break-Before-Make Interval	t _{OPEN}	Figure 2	T _A = +25°C		0.2		0.2		μs
Enable, Write Turn-On Time	t _{ON(EN, \overline{WR})}	Figures 3, 4	T _A = +25°C		1.0	1.5	1.5		μs
Enable, Reset Turn-Off Time	t _{OFF(EN, \overline{RS})}	Figures 3, 5	T _A = +25°C		0.4	1	1.5		μs
Charge Injection	Q	Figure 6	T _A = +25°C		4		4		pC
Off Isolation	O _{IRR}	V _{EN} = 0V, R _L = 1kΩ, C _L = 15pF, V _S = 7V _{RMS} , f = 500kHz	T _A = +25°C		68		68		dB
Logic-Input Capacitance	C _{IN}	f = 1MHz	T _A = +25°C		2.5		2.5		pF
Source-Off Capacitance	C _{S(OFF)}	V _{EN} = 0V, f = 140kHz, V _S = 0V	T _A = +25°C		5		5		pF
Drain-Off Capacitance	C _{D(OFF)}	V _{EN} = 0V, f = 140kHz, V _S = 0V	DG528	T _A = +25°C	25		25		pF
			DG529	T _A = +25°C	12		12		
SUPPLY									
Positive Supply Current	I ₊	V _{EN} = V _{AH} = 0V	T _A = +25°C		0.003	2.5	0.003	2.5	mA
Negative Supply Current	I ₋	V _{EN} = V _{AH} = 0V	T _A = +25°C		-1.5	0.01	-1.5	0.01	mA
MINIMUM INPUT TIMING									
\overline{WR} Pulse Width	t _{WW}	Figure 7			300	150	300	15	ns
AX, EN Data Valid to \overline{WR}	t _{DW}	(Stabilization Time) Figure 7			180	120	180	12	ns
AX, EN Data Valid after \overline{WR}	t _{WD}	(Hold Time) Figure 7			30	10	30	10	ns
\overline{RS} Pulse Width	t _{RS}	Figure 7; V _S = 5V (Note 5)			500	150	500	150	ns

Note 2: Guaranteed by design.

Note 3: Sequence each switch on.

Note 4: I_{D(ON)} is leakage from driver into on switch.

Note 5: Reset pulse period must be at least 50μs during or after power-on.

8-Channel Latchable Multiplexers

DG528/DG529

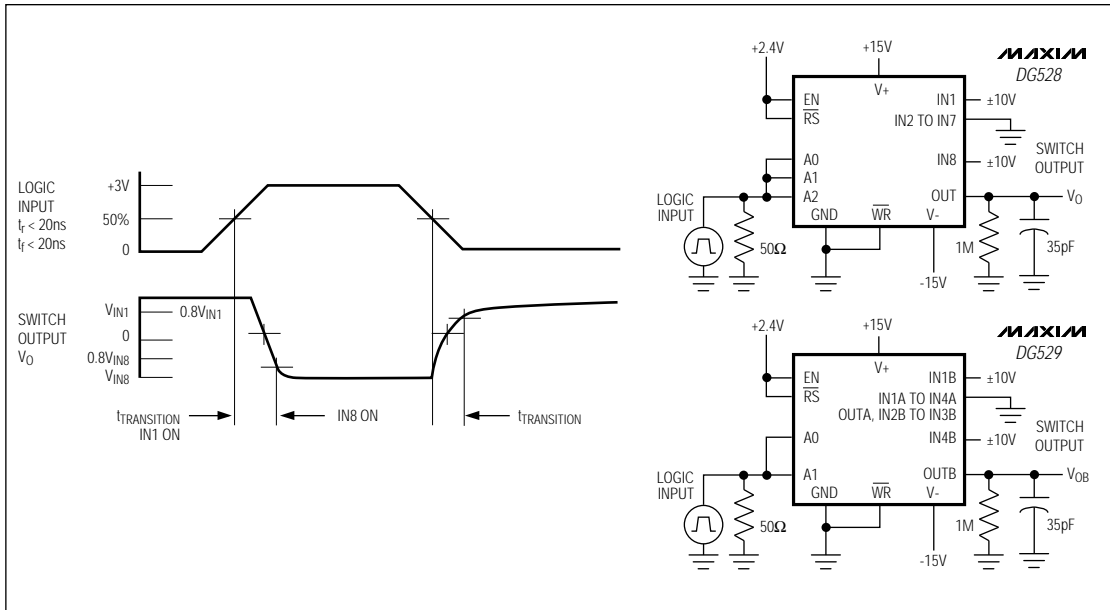


Figure 1. Transition-Time Test Circuits

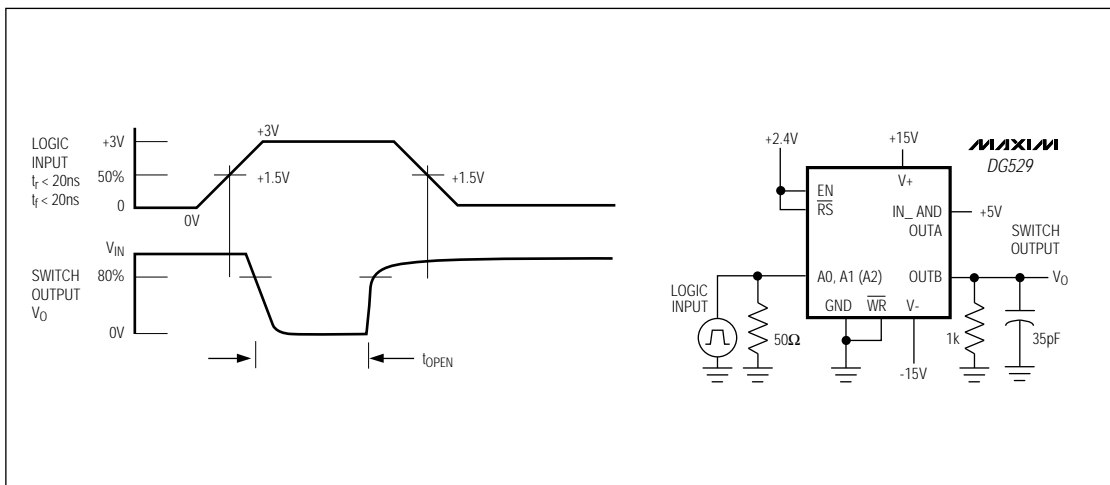


Figure 2. Open-Time (B.B.M.) Interval Test Circuit

8-Channel Latchable Multiplexers

DG528/DG529



Figure 3. Enable t_{ON}/t_{OFF} Time Test Circuit



Figure 4. Write Turn-On Time $t_{ON}(\overline{WR})$ Test Circuit

8-Channel Latchable Multiplexers



Figure 5. Reset Turn-Off Time $t_{OFF}(\overline{RS})$ Test Circuit



Figure 6. Charge-Injection Test Circuit



Figure 7. Typical Timing Diagrams for DG528/DG529

8-Channel Latchable Multiplexers

DG528/DG529

Table 1. DG528 Logic States

A2	A1	A0	EN	\overline{WR}	\overline{RS}	ON SWITCH
Latching						
X	X	X	X	\downarrow	1	Maintains previous switch condition
Reset						
X	X	X	X	X	0	None (latches cleared)
Transparent Operation						
X	X	X	0	0	1	None
0	0	0	1	0	1	1
0	0	1	1	0	1	2
0	1	0	1	0	1	3
0	1	1	1	0	1	4
1	0	0	1	0	1	5
1	0	1	1	0	1	6
1	1	0	1	0	1	7
1	1	1	1	0	1	8

Table 2. DG529 Logic States

A1	A0	EN	\overline{WR}	\overline{RS}	ON SWITCH
Latching					
X	X	X	\downarrow	1	Maintains previous switch condition
Reset					
X	X	X	X	0	None (latches cleared)
Transparent Operation					
X	X	0	0	1	None
0	0	1	0	1	1
0	1	1	0	1	2
1	0	1	0	1	3
1	1	1	0	1	4

Note: Logic "1": $V_{AH} \geq 2.4V$, Logic "0": $V_{AL} \leq 0.8V$.

Detailed Description

The internal structures of the DG528/DG529 include translators for the A2/A1/A0/EN/ \overline{WR} / \overline{RS} digital inputs, latches, and a decode section for channel selection (Truth Tables). The gate structures consist of parallel combinations of N and P MOSFETs.

\overline{WRITE} (\overline{WR}) and \overline{RESET} (\overline{RS}) strobes are provided for interfacing with μP -bus lines (Figure 9), alleviating the need for the μP to provide constant address inputs to the mux to hold a particular channel.

When the \overline{WR} strobe is in the low state (less than 0.8V) and the \overline{RS} strobe is in the high state (greater than 2.4V), the muxes are in the transparent mode—they act similarly to nonlatching devices, such as the DG508A/DG509A or the HI508/HI509.

When the \overline{WR} goes high, the previous BCD address input is latched and held in that state indefinitely. To pull the mux out of this state, either \overline{WR} must be taken

low to the transition state, or \overline{RS} must be taken low to turn off all channels.

\overline{RS} turns off all channels when it is low, which resets channel selection to the channel 1 mode.

The DG528/DG529 work with both single and dual supplies and function over the +5V to +30V single-supply range. For example, with a single +15V power supply, analog signals in the 0V to +15V range can be switched normally. If negative signals around 0V are expected, a negative supply is needed. However, only -5V is needed to normally switch signals in the -5V to +15V range (-5V, +15V supplies). No current is drawn from the negative supply, so Maxim's MAX635 DC-DC converter is an ideal choice.

The EN latch allows all switches to be turned off under program control. This is useful when two or more DG528s are cascaded to build 16-line and larger analog-signal multiplexers.

8-Channel Latchable Multiplexers



Figure 8. Simplified Internal Structure

Applications

Operation with Supply Voltages Other Than $\pm 15V$

Maxim guarantees the DG528/DG529 for operation from $\pm 4.5V$ to $\pm 20V$ supplies. The switching delays increase by about a factor of two at $\pm 5V$, and break-before-make action is preserved.

The DG528/DG529 can operate with a single $+5V$ to $+30V$ supply as well as asymmetrical power supplies like $+15V$ and $-5V$. The digital threshold will remain approximately $1.6V$ above the GND pin, and the analog characteristics such as $r_{DS(ON)}$ are determined by the total voltage difference between $V+$ and $V-$. Connect $V-$ to $0V$ when operating with a $+5V$ to $+30V$ single supply.

Digital Interface Levels

The typical digital threshold of both the address lines and EN is $1.6V$ with a temperature coefficient of approximately $-3mV/^{\circ}C$, ensuring compatibility with TTL logic over the temperature range. The digital threshold is relatively independent of the power-supply voltages, going from a typical $1.6V$ when $V+$ is $15V$ to $1.5V$ typical with $V+ = 5V$. Therefore, Maxim's DG528/DG529 operate with standard TTL logic levels, even with $\pm 5V$ power supplies. In all cases, EN's threshold is the same as the other logic inputs and is referenced to GND.

The digital inputs can also be driven with CMOS logic levels swinging from either $V+$ to $V-$ or from $V+$ to GND. The digital input current is just a few nanoamps of leakage at all input-voltage levels with a guaranteed maximum of $1\mu A$. The digital inputs are protected from ESD by a $30V$ zener diode between the input and $V+$ and can be driven $\pm 2V$ beyond the supplies without drawing excessive current.

8-Channel Latchable Multiplexers

DG528/DG529

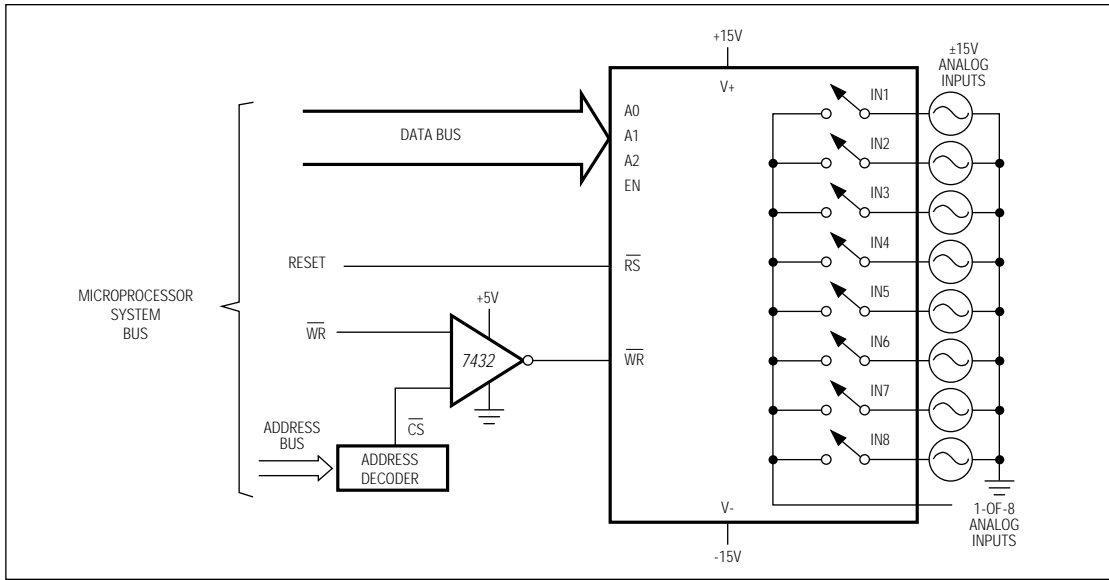
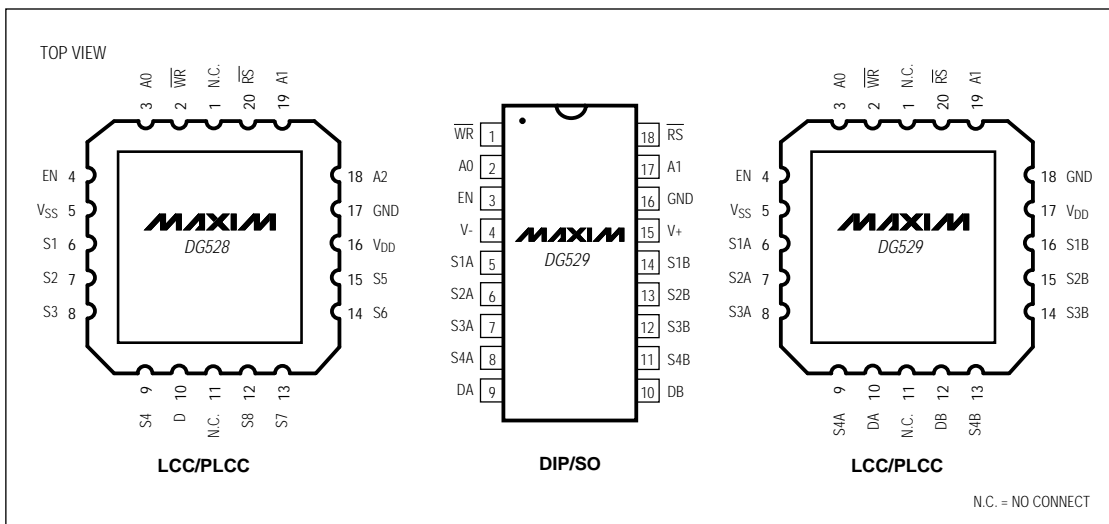


Figure 9. Bus Interface

Pin Configurations (continued)



8-Channel Latchable Multiplexers

DG528/DG529

_Ordering Information (continued)

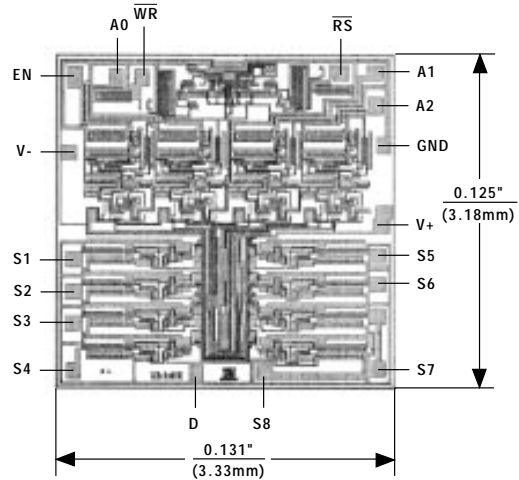
PART	TEMP. RANGE	PIN-PACKAGE
DG529CJ	0°C to +70°C	18 Plastic DIP
DG529CWN	0°C to +70°C	18 Wide SO
DG529CK	0°C to +70°C	18 CERDIP
DG529C/D	0°C to +70°C	Dice*
DG529DJ	-40°C to +85°C	18 Plastic DIP
DG529DN	-40°C to +85°C	20 PLCC
DG529EWN	-40°C to +85°C	18 Wide SO
DG529DK	-40°C to +85°C	18 CERDIP
DG529AZ	-55°C to +125°C	20 LCC**
DG529AK	-55°C to +125°C	18 CERDIP**

* Contact factory for dice specifications.

** Contact factory for availability and processing to MIL-STD-883.

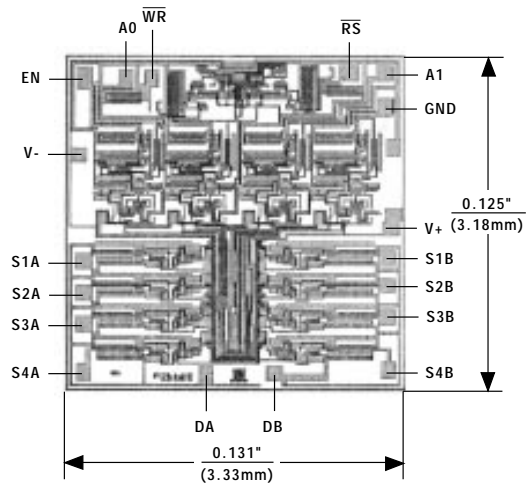
Chip Topographies

DG528



TRANSISTOR COUNT: 200
SUBSTRATE CONNECTED TO V+

DG529



TRANSISTOR COUNT: 200
SUBSTRATE CONNECTED TO V+

8-Channel Latchable Multiplexers

Package Information

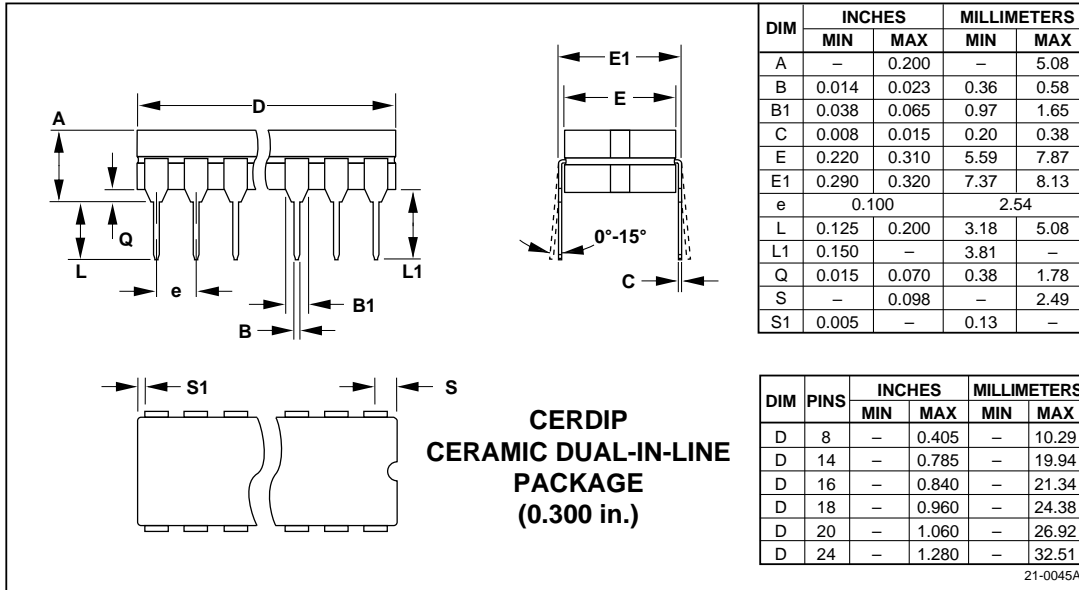
DG528/DG529



8-Channel Latchable Multiplexers

DG528/DG529

Package Information (continued)



Maxim cannot assume responsibility for use of any circuitry other than circuitry entirely embodied in a Maxim product. No circuit patent licenses are implied. Maxim reserves the right to change the circuitry and specifications without notice at any time.

12 _____ Maxim Integrated Products, 120 San Gabriel Drive, Sunnyvale, CA 94086 (408) 737-7600

© 1995 Maxim Integrated Products

Printed USA

MAXIM is a registered trademark of Maxim Integrated Products.

Компания «Океан Электроники» предлагает заключение долгосрочных отношений при поставках импортных электронных компонентов на взаимовыгодных условиях!

Наши преимущества:

- Поставка оригинальных импортных электронных компонентов напрямую с производств Америки, Европы и Азии, а так же с крупнейших складов мира;
- Широкая линейка поставок активных и пассивных импортных электронных компонентов (более 30 млн. наименований);
- Поставка сложных, дефицитных, либо снятых с производства позиций;
- Оперативные сроки поставки под заказ (от 5 рабочих дней);
- Экспресс доставка в любую точку России;
- Помощь Конструкторского Отдела и консультации квалифицированных инженеров;
- Техническая поддержка проекта, помощь в подборе аналогов, поставка прототипов;
- Поставка электронных компонентов под контролем ВП;
- Система менеджмента качества сертифицирована по Международному стандарту ISO 9001;
- При необходимости вся продукция военного и аэрокосмического назначения проходит испытания и сертификацию в лаборатории (по согласованию с заказчиком);
- Поставка специализированных компонентов военного и аэрокосмического уровня качества (Xilinx, Altera, Analog Devices, Intersil, Interpoint, Microsemi, Actel, Aeroflex, Peregrine, VPT, Syfer, Eurofarad, Texas Instruments, MS Kennedy, Miteq, Cobham, E2V, MA-COM, Hittite, Mini-Circuits, General Dynamics и др.);

Компания «Океан Электроники» является официальным дистрибьютором и эксклюзивным представителем в России одного из крупнейших производителей разъемов военного и аэрокосмического назначения «JONHON», а так же официальным дистрибьютором и эксклюзивным представителем в России производителя высокотехнологичных и надежных решений для передачи СВЧ сигналов «FORSTAR».



JONHON

«JONHON» (основан в 1970 г.)

Разъемы специального, военного и аэрокосмического назначения:

(Применяются в военной, авиационной, аэрокосмической, морской, железнодорожной, горно- и нефтедобывающей отраслях промышленности)

«FORSTAR» (основан в 1998 г.)

ВЧ соединители, коаксиальные кабели, кабельные сборки и микроволновые компоненты:

(Применяются в телекоммуникациях гражданского и специального назначения, в средствах связи, РЛС, а так же военной, авиационной и аэрокосмической отраслях промышленности).



Телефон: 8 (812) 309-75-97 (многоканальный)

Факс: 8 (812) 320-03-32

Электронная почта: ocean@oceanchips.ru

Web: <http://oceanchips.ru/>

Адрес: 198099, г. Санкт-Петербург, ул. Калинина, д. 2, корп. 4, лит. А