

## FPGA Configuration Flash Memory

## DATASHEET

## Features

- Programmable 16,777,216 x 1-bit Serial Memories Designed to Store Configuration Programs for Field Programmable Gate Arrays (FPGAs)
- 3.3V Output Capability
- 5.0V Tolerant I/O Pins
- Program Support using the Atmel ATDH2200E System, ATDH2225 ISP Cable, or Third-party Programmers
- In-System Programmable (ISP) via 2-wire Bus
- Simple Interface to SRAM FPGAs
- Compatible with Atmel AT40K and AT94K Devices, Altera® FLEX®, APEX™ Devices, Lucent® ORCA® FPGAs, Xilinx® XC3000, XC4000, XC5200, Spartan®, Virtex® FPGAs, Motorola® MPA1000 FPGAs
- Cascadable Read-back to Support Additional Configurations or Higher-density Arrays
- Low-power CMOS FLASH Process
- Available in 8-pad LAP (Pin-compatible with 8-lead SOIC/VOIC Footprint Packages) and 20-lead PLCC Packages
- Emulation of the Atmel AT24C Serial EEPROMs
- Low-power Standby Mode
- Single Device Capable of Holding Four Bitstream Files Allowing Simple System Reconfiguration
- Fast Serial Download Speeds up to 33MHz
- Endurance: 10,000 Write Cycles Typical
- Green (Pb/Halide-free/RoHS Compliant) Packages

## Description

The Atmel® AT17F16 In-System Programmable Configuration PROMs (Configurators) provide an easy-to-use, cost-effective configuration memory solutions for FPGAs. The AT17F16 is packaged in the 8-pad LAP and 20-lead PLCC packages (Table 1). The AT17F16 uses a simple serial-access procedure to configure one or more FPGA devices.

The AT17F16 can be programmed with industry-standard programmers, the Atmel ATDH2200E Programming Kit, or the Atmel ATDH2225 ISP Cable.

**Table 1. AT17F16 Packages**

| Package      | AT17F16 |
|--------------|---------|
| 8-pad LAP    | Yes     |
| 20-lead PLCC | Yes     |

# 1. Pin Configurations

**Table 1-1. Pin Descriptions**

| Pin                         | Description  |
|-----------------------------|--|
| DATA <sup>(1)</sup>         | <b>Three-state DATA output for FPGA Configuration.</b> Open-collector bi-directional pin for configuration programming.  |
| CLK <sup>(1)</sup>          | <b>Clock Input.</b> Used to increment the internal address and bit counter for reading and programming.  |
| PAGE_EN <sup>(2)</sup>      | <b>Enable Page Download Mode Input.</b> When PAGE_EN is high, the configuration download address space is partitioned into four equal pages. This gives users the ability to easily store and retrieve multiple configuration bitstreams from a single configuration device. This input works in conjunction with the PAGESEL inputs. PAGE_EN must remain low if paging is not desired. When SER_EN is Low (ISP mode) this pin has no effect.  |
| PAGESEL[1:0] <sup>(2)</sup> | <b>Page Select Inputs.</b> Used to determine which of the four memory pages are targeted during a serial configuration download. The address space for each of the pages is shown in Table 1-2. When SER_EN is Low (ISP mode) these pins have no effect.   |
| RESET/OE <sup>(1)</sup>     | <b>Output Enable (Active High) and RESET (Active Low) when SER_EN is High.</b> A Low level on RESET/OE resets both the address and bit counters. A High level (with CE Low) enables the data output driver.  |
| CE <sup>(1)</sup>           | <b>Chip Enable Input (Active Low).</b> A Low level (with OE High) allows CLK to increment the address counter and enables the data output driver. A High level on CE disables both the address and bit counters and forces the device into a low-power standby mode. Note that this pin will <i>not</i> enable/disable the device in the 2-wire Serial Programming mode (SER_EN Low).  |
| GND                         | <b>Ground.</b> A 0.2µF decoupling capacitor between V <sub>CC</sub> and GND is recommended.  |
| CEO                         | <b>Chip Enable Output (when SER_EN is High).</b> This output goes Low when the internal address counter has reached its maximum value. If the PAGE_EN input is set High, the maximum value is the highest address in the selected partition. The PAGESEL[1:0] inputs are used to make the four partition selections. If the PAGE_EN input is set Low, the device is not partitioned and the address maximum value is the highest address in the device (Table 1-2). In a daisy chain of AT17F Series devices, the CEO pin of one device must be connected to the CE input of the next device in the chain. It will stay Low as long as CE is Low and OE is High. It will then follow CE until OE goes Low; thereafter, CEO will stay High until the entire EEPROM is read again. |
| A2 <sup>(1)</sup>           | <b>Device Selection Input, (when SER_EN Low).</b> The input is used to enable (or chip select) the device during programming (i.e., when SER_EN is Low). Refer to the AT17F(A) Programming Specification available at <a href="http://www.atmel.com">www.atmel.com</a> for additional details.   |
| READY                       | <b>Open Collector Reset State Indicator.</b> Driven Low during power-up reset, released when power-up is complete. (Recommend 4.7kΩ pull-up on this pin if used).  |
| SER_EN <sup>(1)</sup>       | <b>Serial Enable Input.</b> Must remain High during FPGA configuration operations. Bringing SER_EN Low enables the 2-Wire Serial Programming Mode. For non-ISP applications, SER_EN should be tied to V <sub>CC</sub> .  |
| V <sub>CC</sub>             | <b>Device Power Supply.</b> +3.3V (±10%)   |

- Notes: 1. Internal 20KΩ pull-up resistor  
 2. Internal 30KΩ pull-up resistor

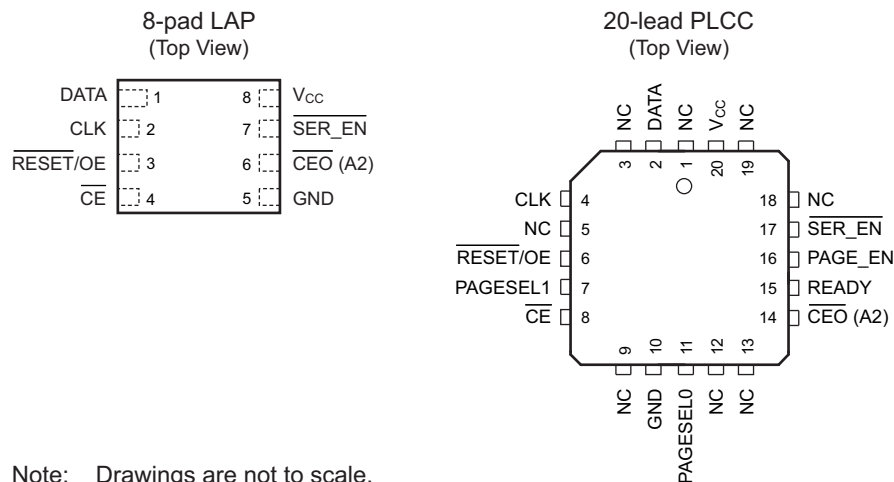
**Table 1-2. Address Space PAGESEL[1:0]**

| Paging Decodes            | AT17F16 (16Mb) |
|---------------------------|----------------|
| PAGESEL = 00, PAGE_EN = 1 | 00000 – 3FFFFh |
| PAGESEL = 01, PAGE_EN = 1 | 40000 – 7FFFFh |
| PAGESEL = 10, PAGE_EN = 1 | 80000 – BFFFFh |
| PAGESEL = 11, PAGE_EN = 1 | C0000 – FFFFFh |
| PAGESEL = XX, PAGE_EN = 0 | 00000 – FFFFFh |

**Table 1-3. Pin Configurations**

| Name            | I/O | 8-pad LAP | 20-lead PLCC |
|-----------------|-----|-----------|--------------|
| DATA            | I/O | 1         | 2            |
| CLK             | I   | 2         | 4            |
| PAGE_EN         | I   | —         | 16           |
| PAGESEL0        | I   | —         | 11           |
| PAGESEL1        | I   | —         | 7            |
| RESET/OE        | I   | 3         | 6            |
| CE              | I   | 4         | 8            |
| GND             | —   | 5         | 10           |
| CEO             | O   | 6         | 14           |
| A2              | I   | 6         | 14           |
| READY           | O   | —         | 15           |
| SER_EN          | I   | 7         | 17           |
| V <sub>CC</sub> | —   | 8         | 20           |

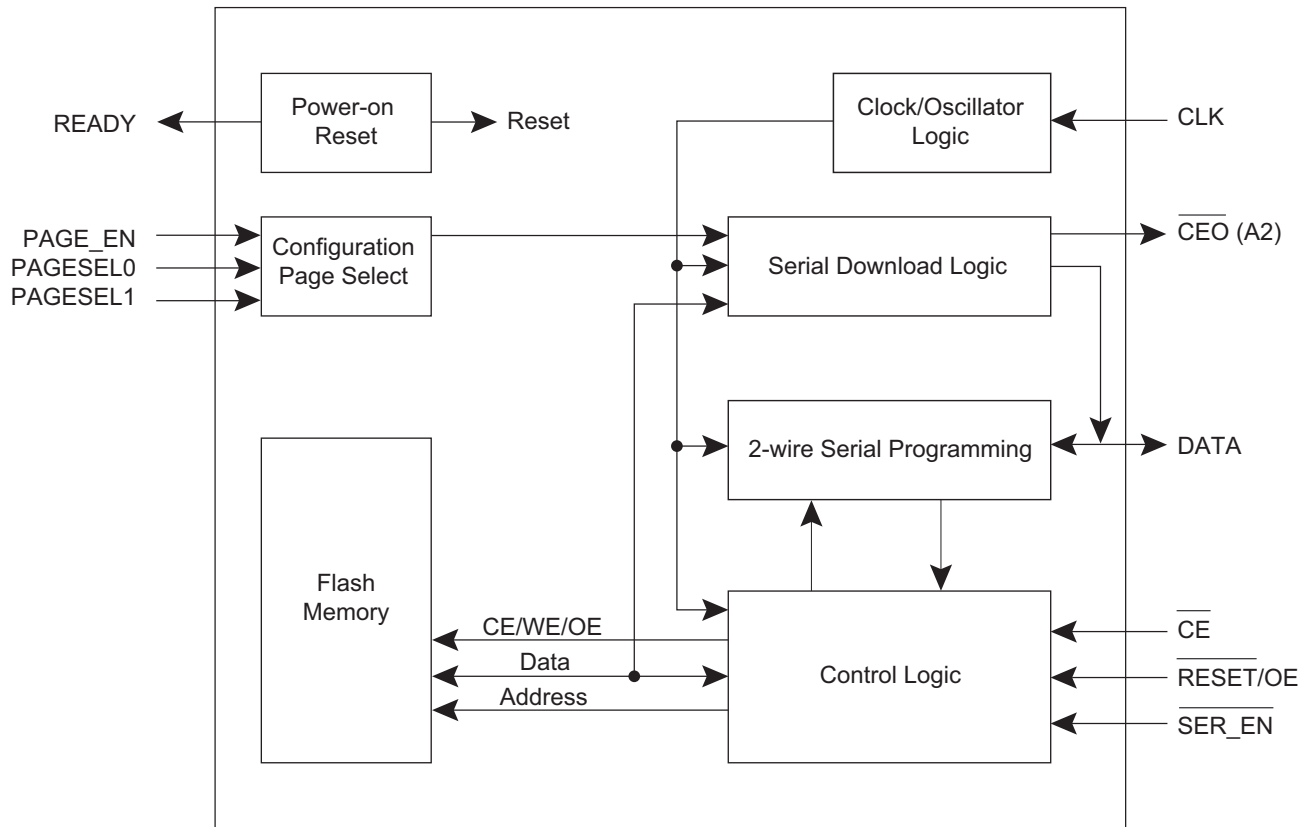
**Figure 1-1. Pinouts**



Note: Drawings are not to scale.

## 2. Block Diagram

Figure 2-1. Block Diagram



### 3. Device Description

The control signals for the configuration memory device ( $\overline{CE}$ ,  $\overline{RESET/OE}$  and CLK) interface directly with the FPGA device control signals. All FPGA devices can control the entire configuration process and retrieve data from the configuration device without requiring an external intelligent controller.

The  $\overline{RESET/OE}$  and  $\overline{CE}$  pins control the tri-state buffer on the DATA output pin and enable the address counter. When  $\overline{RESET/OE}$  is driven Low, the configuration device resets its address counter and tri-states its DATA pin. The  $\overline{CE}$  pin also controls the output of the AT17F16. If  $\overline{CE}$  is held High after the  $\overline{RESET/OE}$  reset pulse, the counter is disabled and the DATA output pin is tri-stated. When OE is subsequently driven High, the counter and the DATA output pin are enabled. When  $\overline{RESET/OE}$  is driven Low again, the address counter is reset and the DATA output pin is tri-stated, regardless of the state of  $\overline{CE}$ .

When the configurator has driven out all of its data and  $\overline{CEO}$  is driven Low, the device tri-states the DATA pin to avoid contention with other configurators. Upon power-up, the address counter is automatically reset.

### 4. FPGA Master Serial Mode Summary

The I/O and logic functions of any SRAM-based FPGA are established by a configuration program. The program is loaded either automatically upon power-up, or on command, depending on the state of the FPGA mode pins. In Master mode, the FPGA automatically loads the configuration program from an external memory. The AT17F16 Serial Configuration PROM has been designed for compatibility with the Master Serial mode.

This document discusses the Atmel AT40K, AT40KAL and AT94KAL applications as well as Xilinx applications.

### 5. Control of Configuration

Most connections between the FPGA device and the AT17F16 Serial Configurator PROM are simple and self-explanatory.

- The DATA output of the AT17F16 Configurator drives DIN of the FPGA devices.
- The master FPGA CCLK output drives the CLK input of the AT17F16 Configurator.
- The CEO output of any AT17F16 Configurator drives the CE input of the next Configurator in a cascade chain of configurator devices.
- $\overline{SER\_EN}$  must be connected to  $V_{CC}$  or allowed to float to logic High via the internal pull-up resistor (except during ISP).
- The READY pin is available as an open-collector indicator of the device's reset status; it is driven Low while the device is in its power-on reset cycle and released (tri-stated) when the cycle is complete.
- PAGE\_EN must be held Low if download paging is not desired. The PAGESEL[1:0] inputs must be tied off High or Low. If paging is desired, PAGE\_EN must be High and the PAGESEL pins must be set to High or Low such that the desired page is selected, see [Table 1-2](#).

### 6. Cascading Serial Configuration Devices

For multiple FPGAs configured as a daisy-chain, or for FPGAs requiring larger configuration memories, cascaded configurators provide additional memory.

After the last bit from the first configurator is read, the clock signal to the configurator asserts its  $\overline{CEO}$  output Low and disables its DATA line driver. The second configurator recognizes the Low level on its  $\overline{CE}$  input and enables its DATA output.

After configuration is complete, the address counters of all cascaded configurators are reset if the  $\overline{RESET/OE}$  on each configurator is driven to its active (Low) level.

If the address counters are not to be reset upon completion, then the  $\overline{RESET/OE}$  input can be tied to its inactive (High) level.

## 7. Programming Mode

The programming mode is entered by bringing  $\overline{\text{SER\_EN}}$  Low. In this mode the chip can be programmed by the 2-wire serial bus. The programming is done at  $V_{\text{CC}}$  supply only. Programming super voltages are generated inside the chip. The AT17F16 is read/write at 3.3V nominal. Refer to the AT17F16(A) Programming Specification available on [www.atmel.com](http://www.atmel.com) for more programming details. The AT17F16 is supported by the Atmel ATDH2200E programming system along with many third party programmers.

## 8. Standby Mode

The AT17F16 enters a low-power standby mode whenever  $\overline{\text{SER\_EN}}$  is High and  $\overline{\text{CE}}$  is asserted High. In this mode, the AT17F16 consumes less than 2mA of current at 3.6V. The output remains in a high-impedance state regardless of the state of the OE input.

## 9. Electrical Specifications

### 9.1 Absolute Maximum Ratings\*

|  |                          |
|--|--------------------------|
| Operating Temperature                        | -40°C to +85°C           |
| Storage Temperature                          | -65°C to +150°C          |
| Voltage on Any Pin<br>with Respect to Ground | -0.1V to $V_{CC} + 0.5V$ |
| Supply Voltage ( $V_{CC}$ )                  | -0.5V to +4.0V           |
| Maximum Soldering Temp. (10 sec. @ 1/16in.)  | 260°C                    |
| ESD ( $R_{ZAP} = 1.5K$ , $C_{ZAP} = 100pF$ ) | 2000V                    |

\*Notice: Stresses beyond those listed under Absolute Maximum Ratings may cause permanent damage to the device. This is a stress rating only and functional operation of the device at these or any other conditions beyond those listed under operating conditions is not implied. Exposure to Absolute Maximum Rating conditions for extended periods of time may affect device reliability.

### 9.2 Operating Conditions

Table 9-1. Operating Conditions

| Symbol   | Description                                   | Min  | Max  | Units |
|----------|---|------|------|-------|
| $V_{CC}$ | Supply voltage relative to GND -40°C to +85°C | 2.97 | 3.63 | V     |

### 9.3 DC Characteristics

Table 9-2. DC Characteristics

| Symbol    | Description   | Min | Max      | Units   |
|-----------|---|-----|----------|---------|
| $V_{IH}$  | High-level Input Voltage                                    | 2.0 | $V_{CC}$ | V       |
| $V_{IL}$  | Low-level Input Voltage                                     | 0   | 0.8      | V       |
| $V_{OH}$  | High-level Output Voltage ( $I_{OH} = -2.5mA$ )             | 2.4 |          | V       |
| $V_{OL}$  | Low-level Output Voltage ( $I_{OL} = +3.0mA$ )              |     | 0.4      | V       |
| $V_{OH}$  | High-level Output Voltage ( $I_{OH} = -2.0mA$ )             | 2.4 |          | V       |
| $V_{OL}$  | Low-level Output Voltage ( $I_{OL} = +3.0mA$ )              |     | 0.4      | V       |
| $I_{CCA}$ | Supply Current, Active Mode (3.6V 33MHz)                    |     | 40       | mA      |
| $I_L$     | Input or Output Leakage Current ( $V_{IN} = V_{CC}$ or GND) | -10 | 10       | $\mu A$ |
| $I_{CCS}$ | Supply Current, Standby Mode                                |     | 2        | mA      |

## 9.4 AC Characteristics

**Table 9-3. AC Characteristics**

| Symbol          | Description   | Min | Typ | Max | Units   |
|-----------------|---|-----|-----|-----|---------|
| $T_{OE}^{(1)}$  | OE to Data Delay  |     |     | 55  | ns      |
| $T_{CE}^{(1)}$  | $\overline{CE}$ to Data Delay                                     |     |     | 60  | ns      |
| $T_{CAC}^{(1)}$ | CLK to Data Delay   |     |     | 30  | ns      |
| $T_{OH}$        | Data Hold from $\overline{CE}$ , OE, or CLK                       | 0   |     |     | ns      |
| $T_{DF}^{(2)}$  | $\overline{CE}$ or OE to Data Float Delay                         |     |     | 15  | ns      |
| $T_{LC}$        | CLK Low Time  | 15  |     |     | ns      |
| $T_{HC}$        | CLK High Time   | 15  |     |     | ns      |
| $T_{SCE}$       | $\overline{CE}$ Setup Time to CLK (to guarantee proper counting)  | 25  |     |     | ns      |
| $T_{HCE}$       | $\overline{CE}$ Hold Time from CLK (to guarantee proper counting) | 0   |     |     | ns      |
| $T_{HOE}$       | $\overline{RESET}/OE$ Low Time (guarantees counter is reset)      | 20  |     |     | ns      |
| $F_{MAX}$       | Maximum Input Clock Frequency $\overline{SEREN} = 0$              |     |     | 10  | MHz     |
| $F_{MAX}$       | Maximum Input Clock Frequency $\overline{SEREN} = 1$              |     |     | 33  | MHz     |
| $T_{WR}$        | Write Cycle Time <sup>(3)</sup>                                   |     | 12  |     | $\mu$ s |
| $T_{EC}$        | Erase Cycle Time <sup>(3)</sup>                                   |     | 33  |     | s       |

- Notes:
1. AC test lead = 50pF.
  2. Float delays are measured with 5pF AC loads. Transition is measured  $\pm 200$ mV from steady-state active levels.
  3. See the AT17F(A) Programming Specification for procedural information.

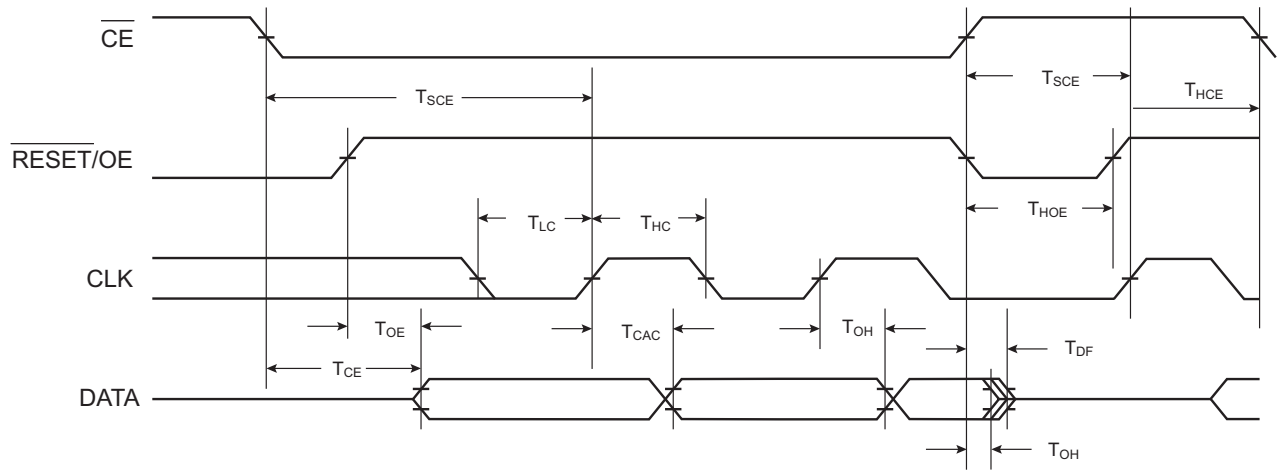
**Table 9-4. AC Characteristics When Cascading**

| Symbol          | Description                                     | Min | Max | Units |
|-----------------|---|-----|-----|-------|
| $T_{CDF}^{(2)}$ | CLK to Data Float Delay                         |     | 50  | ns    |
| $T_{OCK}^{(1)}$ | CLK to $\overline{CEO}$ Delay                   |     | 55  | ns    |
| $T_{OCE}^{(1)}$ | $\overline{CE}$ to $\overline{CEO}$ Delay       |     | 40  | ns    |
| $T_{OOE}^{(1)}$ | $\overline{RESET}/OE$ to $\overline{CEO}$ Delay |     | 35  | ns    |
| $F_{MAX}$       | Maximum Input Clock Frequency                   |     | 33  | MHz   |

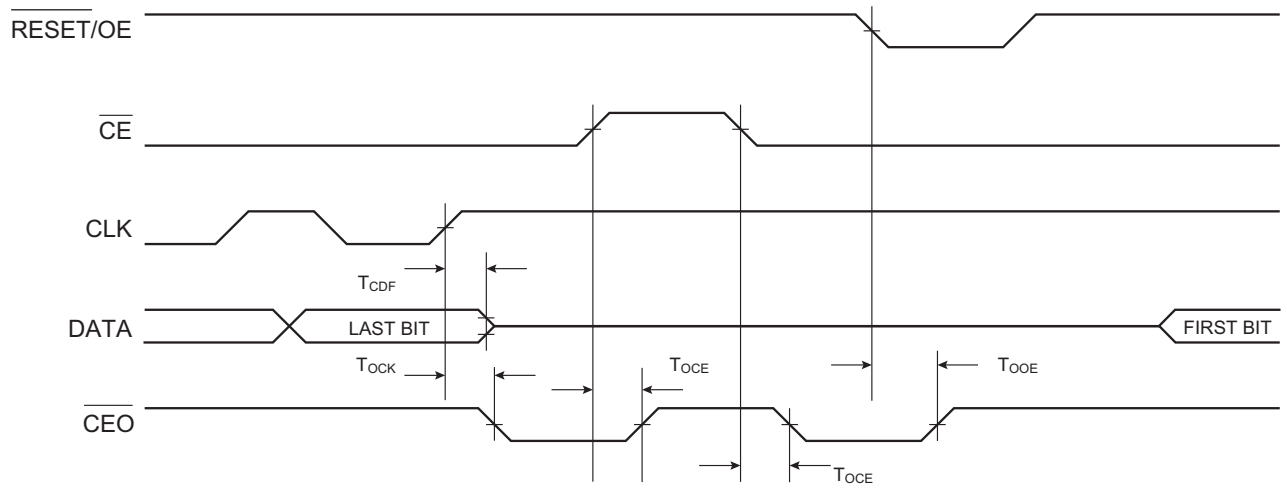
- Notes:
1. AC test load = 50pF.
  2. Float delays are measured with 5pF AC loads. Transition is measured  $\pm 200$ mV from steady-state active levels.



**Figure 9-1. AC Waveforms**

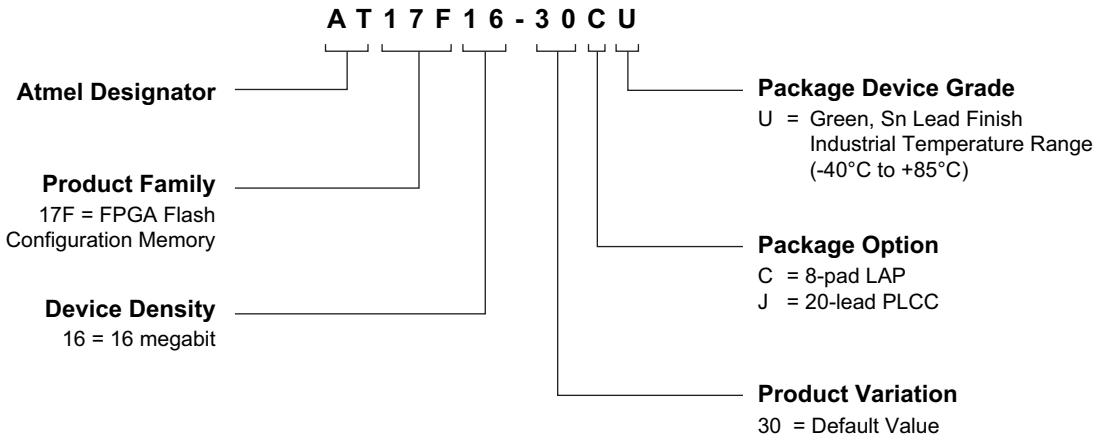


**Figure 9-2. AC Waveforms when Cascading**



## 10. Ordering Information

### 10.1 Ordering Code Detail



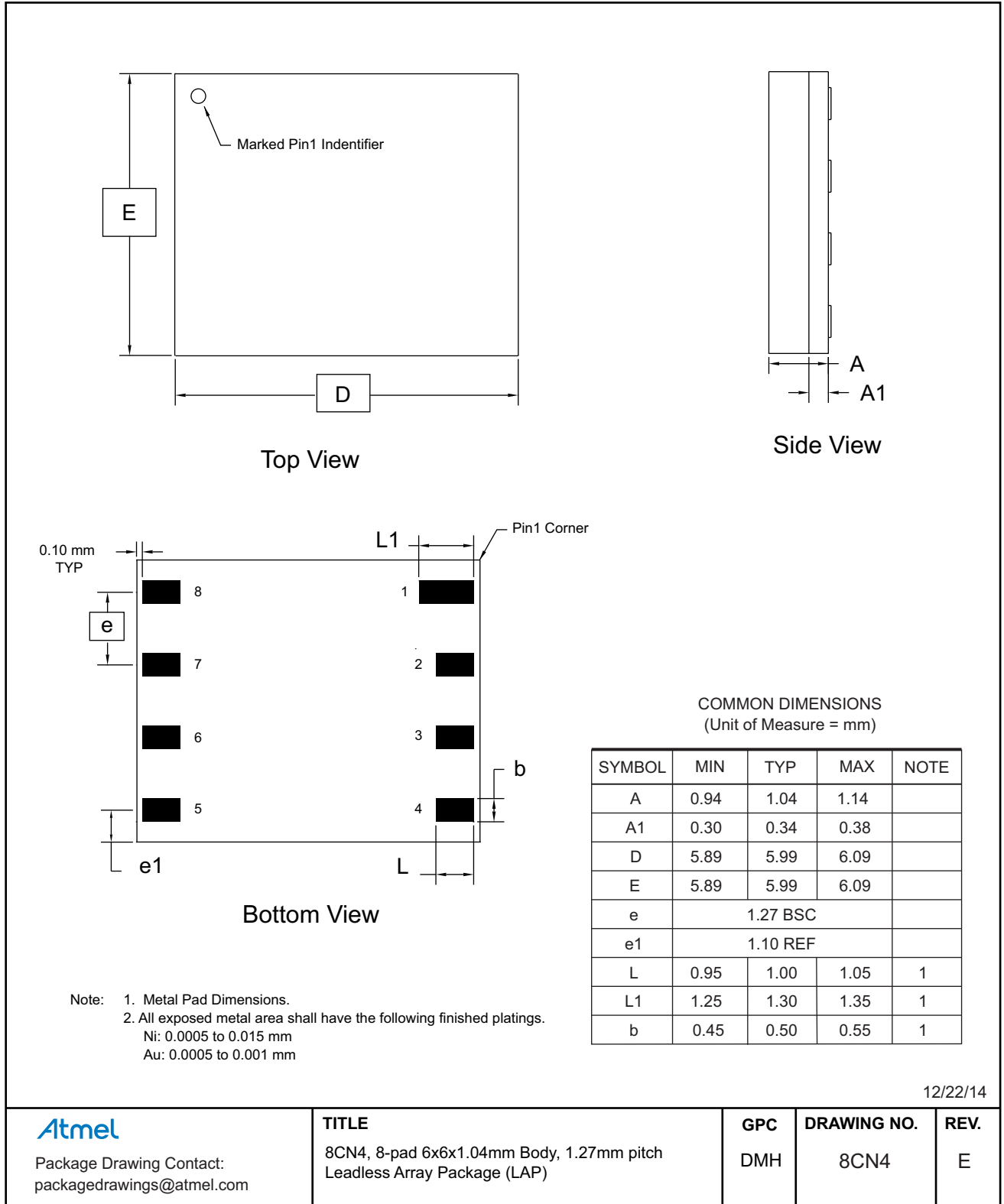
### 10.2 Ordering Codes

| Memory Size | Atmel Ordering Code | Lead Finish                    | Package | Voltage | Operation Range               |
|-------------|---------------------|--------------------------------|---------|---------|-------------------------------|
| 16-Mbit     | AT17F16-30CU        | Sn<br>(Lead-free/Halogen-free) | 8CN4    | 3.3V    | Industrial<br>(-40°C to 85°C) |
|             | AT17F16-30JU        |                                | 20J     |         |                               |

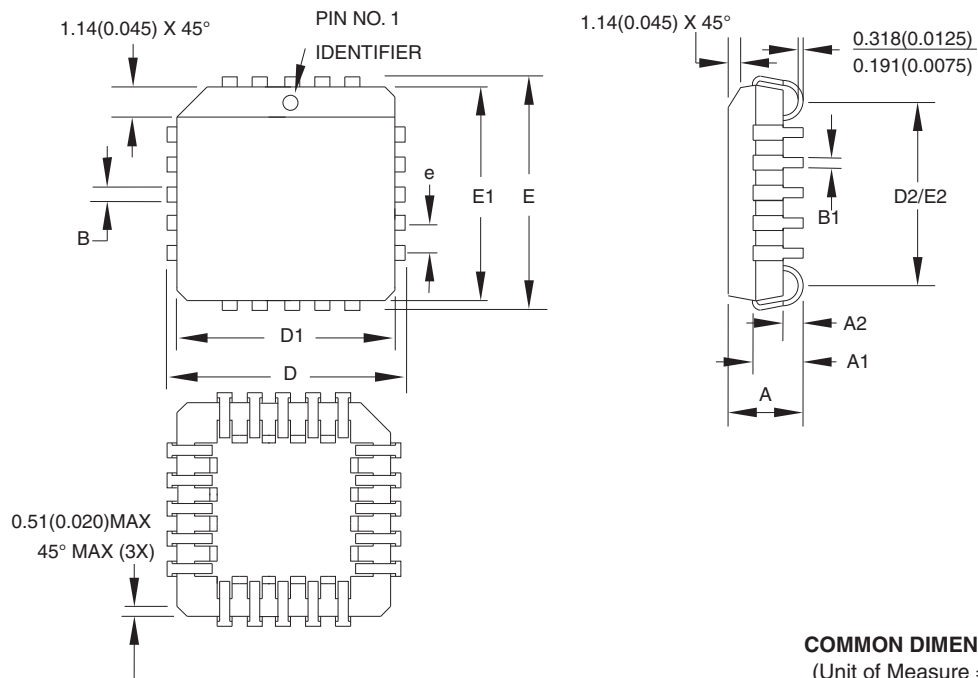
| Package Type |  |
|--------------|--|
| <b>8CN4</b>  | 8-pad, 6.00mm x 6.00mm x 1.04mm, Leadless Array Package (LAP)<br>Pin-compatible with 8-lead SOIC/VOIC Packages |
| <b>20J</b>   | 20-lead, Plastic J-leaded Chip Carrier (PLCC)  |

# 11. Packaging Information

## 11.1 8CN4 — 8-pad LAP



## 11.2 20J — 20-lead PLCC



**COMMON DIMENSIONS**  
(Unit of Measure = mm)

| SYMBOL | MIN       | NOM | MAX    | NOTE   |
|--------|-----------|-----|--------|--------|
| A      | 4.191     | —   | 4.572  |        |
| A1     | 2.286     | —   | 3.048  |        |
| A2     | 0.508     | —   | —      |        |
| D      | 9.779     | —   | 10.033 |        |
| D1     | 8.890     | —   | 9.042  | Note 2 |
| E      | 9.779     | —   | 10.033 |        |
| E1     | 8.890     | —   | 9.042  | Note 2 |
| D2/E2  | 7.366     | —   | 8.382  |        |
| B      | 0.660     | —   | 0.813  |        |
| B1     | 0.330     | —   | 0.533  |        |
| e      | 1.270 TYP |     |        |        |

- Notes:
1. This package conforms to JEDEC reference MS-018, Variation AA
  2. Dimensions D1 and E1 do not include mold protrusion. Allowable protrusion is .010" (0.254mm) per side. Dimension D1 and E1 include mold mismatch and are measured at the extreme material condition at the upper or lower parting line.
  3. Lead coplanarity is 0.004" (0.102mm) maximum

10/04/01



Package Drawing Contact:  
packagedrawings@atmel.com

**TITLE**

**20J, 20-lead, Plastic J-leaded Chip Carrier (PLCC)**

**DRAWING NO.**

20J

**REV.**

B

## 12. Revision History

| Doc Rev | Date    | Comments  |
|---------|---------|---|
| 3392G   | 01/2015 | Removed commercial and 32-lead TQFP package options.<br>Updated the 8CN4 package outline drawing, template, Atmel logos, and disclaimer page.<br>Added an ordering code detail. |
| 3392F   | 02/2008 | Removed -30JC, -30JI, -30BJC and -30BJI devices from ordering information.  |
| 3392E   | 08/2007 | Removed -30CC and -30CI devices from ordering information.<br>Announced last-time buy for -30JC, -30BJC, -30JI, and -30BJI devices.   |
| 3392D   | 03/2006 | Added last-time buy for AT17F16-30CC and AT17F16-30CI.  |



Atmel®, Atmel logo and combinations thereof, Enabling Unlimited Possibilities®, and others are registered trademarks or trademarks of Atmel Corporation in U.S. and other countries. Other terms and product names may be trademarks of others.

DISCLAIMER: The information in this document is provided in connection with Atmel products. No license, express or implied, by estoppel or otherwise, to any intellectual property right is granted by this document or in connection with the sale of Atmel products. EXCEPT AS SET FORTH IN THE ATMEL TERMS AND CONDITIONS OF SALES LOCATED ON THE ATMEL WEBSITE, ATMEL ASSUMES NO LIABILITY WHATSOEVER AND DISCLAIMS ANY EXPRESS, IMPLIED OR STATUTORY WARRANTY RELATING TO ITS PRODUCTS INCLUDING, BUT NOT LIMITED TO, THE IMPLIED WARRANTY OF MERCHANTABILITY, FITNESS FOR A PARTICULAR PURPOSE, OR NON-INFRINGEMENT. IN NO EVENT SHALL ATMEL BE LIABLE FOR ANY DIRECT, INDIRECT, CONSEQUENTIAL, PUNITIVE, SPECIAL OR INCIDENTAL DAMAGES (INCLUDING, WITHOUT LIMITATION, DAMAGES FOR LOSS AND PROFITS, BUSINESS INTERRUPTION, OR LOSS OF INFORMATION) ARISING OUT OF THE USE OR INABILITY TO USE THIS DOCUMENT, EVEN IF ATMEL HAS BEEN ADVISED OF THE POSSIBILITY OF SUCH DAMAGES. Atmel makes no representations or warranties with respect to the accuracy or completeness of the contents of this document and reserves the right to make changes to specifications and products descriptions at any time without notice. Atmel does not make any commitment to update the information contained herein. Unless specifically provided otherwise, Atmel products are not suitable for, and shall not be used in, automotive applications. Atmel products are not intended, authorized, or warranted for use as components in applications intended to support or sustain life.

SAFETY-CRITICAL, MILITARY, AND AUTOMOTIVE APPLICATIONS DISCLAIMER: Atmel products are not designed for and will not be used in connection with any applications where the failure of such products would reasonably be expected to result in significant personal injury or death ("Safety-Critical Applications") without an Atmel officer's specific written consent. Safety-Critical Applications include, without limitation, life support devices and systems, equipment or systems for the operation of nuclear facilities and weapons systems. Atmel products are not designed nor intended for use in military or aerospace applications or environments unless specifically designated by Atmel as military-grade. Atmel products are not designed nor intended for use in automotive applications unless specifically designated by Atmel as automotive-grade.

Компания «Океан Электроники» предлагает заключение долгосрочных отношений при поставках импортных электронных компонентов на взаимовыгодных условиях!

Наши преимущества:

- Поставка оригинальных импортных электронных компонентов напрямую с производств Америки, Европы и Азии, а так же с крупнейших складов мира;
- Широкая линейка поставок активных и пассивных импортных электронных компонентов (более 30 млн. наименований);
- Поставка сложных, дефицитных, либо снятых с производства позиций;
- Оперативные сроки поставки под заказ (от 5 рабочих дней);
- Экспресс доставка в любую точку России;
- Помощь Конструкторского Отдела и консультации квалифицированных инженеров;
- Техническая поддержка проекта, помощь в подборе аналогов, поставка прототипов;
- Поставка электронных компонентов под контролем ВП;
- Система менеджмента качества сертифицирована по Международному стандарту ISO 9001;
- При необходимости вся продукция военного и аэрокосмического назначения проходит испытания и сертификацию в лаборатории (по согласованию с заказчиком);
- Поставка специализированных компонентов военного и аэрокосмического уровня качества (Xilinx, Altera, Analog Devices, Intersil, Interpoint, Microsemi, Actel, Aeroflex, Peregrine, VPT, Syfer, Eurofarad, Texas Instruments, MS Kennedy, Miteq, Cobham, E2V, MA-COM, Hittite, Mini-Circuits, General Dynamics и др.);

Компания «Океан Электроники» является официальным дистрибьютором и эксклюзивным представителем в России одного из крупнейших производителей разъемов военного и аэрокосмического назначения «JONHON», а так же официальным дистрибьютором и эксклюзивным представителем в России производителя высокотехнологичных и надежных решений для передачи СВЧ сигналов «FORSTAR».



## JONHON

«JONHON» (основан в 1970 г.)

Разъемы специального, военного и аэрокосмического назначения:

(Применяются в военной, авиационной, аэрокосмической, морской, железнодорожной, горно- и нефтедобывающей отраслях промышленности)

«FORSTAR» (основан в 1998 г.)

ВЧ соединители, коаксиальные кабели, кабельные сборки и микроволновые компоненты:

(Применяются в телекоммуникациях гражданского и специального назначения, в средствах связи, РЛС, а так же военной, авиационной и аэрокосмической отраслях промышленности).



Телефон: 8 (812) 309-75-97 (многоканальный)

Факс: 8 (812) 320-03-32

Электронная почта: [ocean@oceanchips.ru](mailto:ocean@oceanchips.ru)

Web: <http://oceanchips.ru/>

Адрес: 198099, г. Санкт-Петербург, ул. Калинина, д. 2, корп. 4, лит. А