



## **iCE40 Ultra™ Family Data Sheet**

---

DS1048 Version 1.8, June 2015

## General Description

iCE40 Ultra family is an ultra-low power FPGA and sensor manager designed for ultra-low power mobile applications, such as smartphones, tablets and hand-held devices. The iCE40 Ultra family includes integrated SPI and I<sup>2</sup>C blocks to interface with virtually all mobile sensors and application processors. The iCE40 Ultra family also features two on-chip oscillators, 10 kHz and 48 MHz. The LFOSC (10 kHz) is ideal for low power function in always-on applications, while HFOSC (48 MHz) can be used for awaken activities.

The iCE40 Ultra family also features DSP functional block to off-load Application Processor to pre-process information sent from the mobile sensors. The embedded RGB PWM IP, with the three 24 mA constant current RGB outputs on the iCE40 Ultra provides all the necessary logic to directly drive the service LED, without the need of external MOSFET or buffer.

The 500 mA constant current IR driver output provides a direct interface to external LED for application such as IrDA functions. Users simply implement the modulation logic that meets his needs, and connect the IR driver directly to the LED, without the need of external MOSFET or buffer. This high current driver can also be used as Barcode Emulation, sending barcode information to external Barcode Reader.

The iCE40 Ultra family of devices are targeting for mobile applications to perform functions such as IrDA, Service LED, Barcode Emulation, GPIO Expander, SDIO Level Shift, and other custom functions.

The iCE40 Ultra family features three device densities, from 1100 to 3520 Look Up Tables (LUTs) of logic with programmable I/Os that can be used as either SPI/I<sup>2</sup>C interface ports or general purpose I/O's. It also has up to 80 kbits of Block RAMs to work with user logic.

## Features

- **Flexible Logic Architecture**
  - Three devices with 1100 to 3520 LUTs
  - Offered in WLCS, BGA and QFN packages
- **Ultra-low Power Devices**
  - Advanced 40 nm ultra-low power process
  - As low as 71  $\mu$ A standby current typical
- **Embedded Memory**
  - Up to 80 kbits sysMEM™ Embedded Block RAM
- **Two Hardened I<sup>2</sup>C Interfaces**
- **Two Hardened SPI Interfaces**
- **Two On-Chip Oscillators**
  - Low Frequency Oscillator – 10 kHz
  - High Frequency Oscillator – 48 MHz
- **24 mA Current Drive RGB LED Outputs**
  - Three drive outputs in each device
  - User selectable sink current up to 24 mA
- **500 mA Current Drive IR LED Output**
  - One IR drive output in each device
  - User selectable sink current up to 500 mA
- **On-chip DSP**
  - Signed and unsigned 8-bit or 16-bit functions
  - Functions include Multiplier, Accumulator, and Multiply-Accumulate (MAC)
- **Flexible On-Chip Clocking**
  - Eight low skew global signal resource, six can be directly driven from external pins
  - One PLL with dynamic interface per device
- **Flexible Device Configuration**
  - SRAM is configured through:
    - Standard SPI Interface
    - Internal Nonvolatile Configuration Memory (NVCM)
- **Ultra-Small Form Factor**
  - As small as 2.078 mm x 2.078 mm
- **Applications**
  - Smartphones
  - Tablets and Consumer Handheld Devices
  - Handheld Commercial and Industrial Devices
  - Multi Sensor Management Applications
  - Sensor Pre-processing and Sensor Fusion
  - Always-On Sensor Applications
  - USB 3.1 Type C Cable Detect / Power Delivery Applications

**Table 1-1. iCE40 Ultra Family Selection Guide**

| Part Number                                  | iCE5LP1K                    | iCE5LP2K    | iCE5LP4K    |
|--|-----------------------------|-------------|-------------|
| <b>Logic Cells (LUT + Flip-Flop)</b>         | <b>1100</b>                 | <b>2048</b> | <b>3520</b> |
| EBR Memory Blocks                            | 16                          | 20          | 20          |
| EBR Memory Bits                              | 64 k                        | 80 k        | 80 k        |
| PLL Block                                    | 1                           | 1           | 1           |
| NVCM   | Yes                         | Yes         | Yes         |
| DSP Blocks (MULT16 with 32-bit Accumulator)  | 2                           | 4           | 4           |
| Hardened I2C, SPI                            | 1,1                         | 2,2         | 2,2         |
| HF Oscillator (48 kHz)                       | 1                           | 1           | 1           |
| LF Oscillator (10 kHz)                       | 1                           | 1           | 1           |
| 24 mA LED Sink                               | 3                           | 3           | 3           |
| 500 mA LED Sink                              | 1                           | 1           | 1           |
| Embedded PWM IP                              | Yes                         | Yes         | No          |
| <b>Packages, ball pitch, dimension</b>       | <b>Total User I/O Count</b> |             |             |
| 36-ball WLCSP, 0.35 mm, 2.078 mm x 2.078 mm  | 26                          | 26          | 26          |
| 36-ball ucfBGA, 0.40 mm, 2.5 mm x 2.5 mm     | 26                          | 26          | 26          |
| 48-ball QFN Package, 0.5 mm, 7.0 mm x 7.0 mm | 39                          | 39          | 39          |

## Introduction

The iCE40 Ultra family of ultra-low power FPGAs has three devices with densities ranging from 1100 to 3520 Look-Up Tables (LUTs) fabricated in a 40 nm Low Power CMOS process. In addition to LUT-based, low-cost programmable logic, these devices also feature Embedded Block RAM (EBR), on-chip Oscillators (LFOSC, HFOSC), two hardened I<sup>2</sup>C Controllers, two hardened SPI Controllers, three 24 mA RGB LED open-drain drivers, a 500 mA IR LED open-drain drivers, and DSP blocks. These features allow the devices to be used in low-cost, high-volume consumer and mobile applications.

The iCE40 Ultra FPGAs are available in very small form factor packages, as small as 2.078 mm x 2.078 mm. The small form factor allows the device to easily fit into a lot of mobile applications, where space can be limited. Table 1-1 shows the LUT densities, package and I/O pin count.

The iCE40 Ultra devices offer I/O features such as pull-up resistors. Pull-up features are controllable on a “per-pin” basis.

The iCE40 Ultra devices also provide flexible, reliable and secure configuration from on-chip NVCM. These devices can also configure themselves from external SPI Flash, or be configured by an external master such as a CPU.

Lattice provides a variety of design tools that allow complex designs to be efficiently implemented using the iCE40 Ultra family of devices. Popular logic synthesis tools provide synthesis library support for iCE40 Ultra. Lattice design tools use the synthesis tool output along with the user-specified preferences and constraints to place and route the design in the iCE40 Ultra device. These tools extract the timing from the routing and back-annotate it into the design for timing verification.

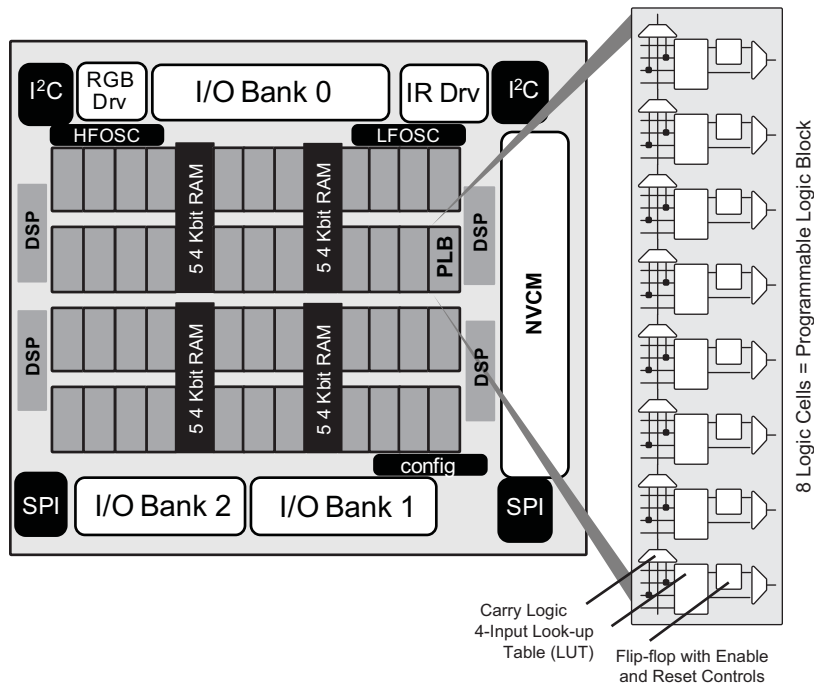
Lattice provides in the iCE40 Ultra 1K and 2K device the embedded RGB PWM IP at no extra cost of LUT available to the user, to perform controlling the RGB LED function. This embedded IP allow users to control color, LED ON/OFF time, and breathe rate of the LED. For more information, please refer to Usage Guide in Lattice Design Software.

Lattice provides many pre-engineered IP (Intellectual Property) modules, including a number of reference designs, licensed free of charge, optimized for the iCE40 Ultra FPGA family. Lattice also can provide fully verified bitstream for some of the widely used target functions in mobile device applications, such as ultra-low power sensor management, gesture recognition, IR remote, barcode emulator functions. Users can use these functions as offered by Lattice, or they can use the design to create their own unique required functions. For more information regarding Lattice’s reference designs or fully-verified bitstreams, please contact your local Lattice representative.

## Architecture Overview

The iCE40 Ultra family architecture contains an array of Programmable Logic Blocks (PLB), two Oscillator Generators, two user configurable I<sup>2</sup>C controllers, two user configurable SPI controllers, and blocks of sysMEM™ Embedded Block RAM (EBR) surrounded by Programmable I/O (PIO). Figure 2-1 shows the block diagram of the iCE5LP-4K device.

**Figure 2-1. iCE5LP-4K Device, Top View**



The logic blocks, Programmable Logic Blocks (PLB) and sysMEM EBR blocks, are arranged in a two-dimensional grid with rows and columns. Each column has either logic blocks or EBR blocks. The PIO cells are located at the top and bottom of the device, arranged in banks. The PLB contains the building blocks for logic, arithmetic, and register functions. The PIOs utilize a flexible I/O buffer referred to as a sysIO buffer that supports operation with a variety of interface standards. The blocks are connected with many vertical and horizontal routing channel resources. The place and route software tool automatically allocates these routing resources.

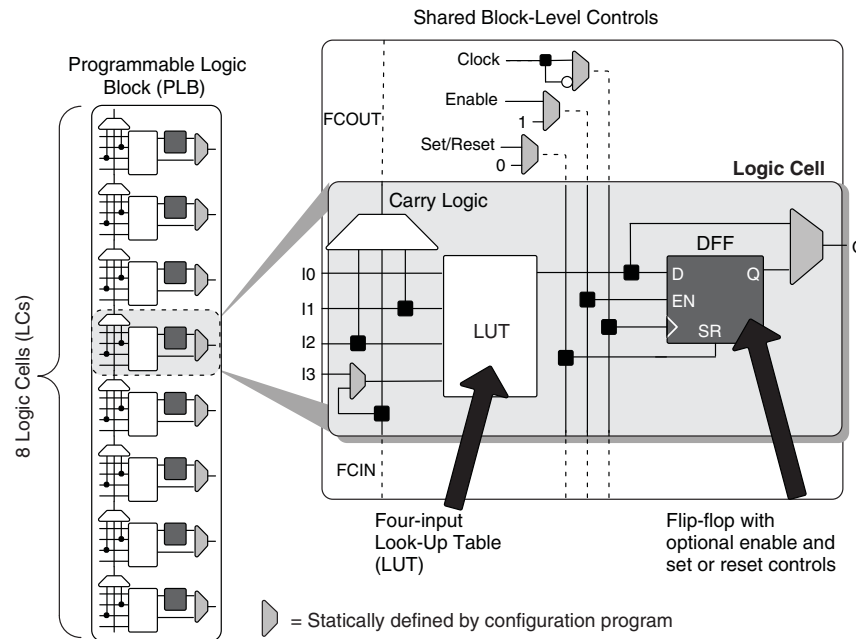
In the iCE40 Ultra family, there are three sysIO banks, one on top and two at the bottom. User can connect some V<sub>CCIO</sub>s together, if all the I/Os are using the same voltage standard. Refer to the details in later sections of this document on Power Up Sequence. The sysMEM EBRs are large 4 kbit, dedicated fast memory blocks. These blocks can be configured as RAM, ROM or FIFO with user logic using PLBs.

Every device in the family has two user SPI ports, one of these (right side) SPI port also supports programming and configuration of the device. The iCE40 Ultra also includes two user I<sup>2</sup>C ports, two Oscillators, and high current LED sink.

## PLB Blocks

The core of the iCE40 Ultra device consists of Programmable Logic Blocks (PLB) which can be programmed to perform logic and arithmetic functions. Each PLB consists of eight interconnected Logic Cells (LC) as shown in Figure 2-2. Each LC contains one LUT and one register.

**Figure 2-2. PLB Block Diagram**



## Logic Cells

Each Logic Cell includes three primary logic elements shown in Figure 2-2.

- A four-input Look-Up Table (LUT) builds any combinational logic function, of any complexity, requiring up to four inputs. Similarly, the LUT element behaves as a 16x1 Read-Only Memory (ROM). Combine and cascade multiple LUTs to create wider logic functions.
- A 'D'-style Flip-Flop (DFF), with an optional clock-enable and reset control input, builds sequential logic functions. Each DFF also connects to a global reset signal that is automatically asserted immediately following device configuration.
- Carry Logic boosts the logic efficiency and performance of arithmetic functions, including adders, subtracters, comparators, binary counters and some wide, cascaded logic functions.

**Table 2-1. Logic Cell Signal Descriptions**

| Function | Type             | Signal Names           | Description  |
|----------|------------------|------------------------|--|
| Input    | Data signal      | I0, I1, I2, I3         | Inputs to LUT  |
| Input    | Control signal   | Enable                 | Clock enable shared by all LCs in the PLB  |
| Input    | Control signal   | Set/Reset <sup>1</sup> | Asynchronous or synchronous local set/reset shared by all LCs in the PLB.  |
| Input    | Control signal   | Clock                  | Clock one of the eight Global Buffers, or from the general-purpose interconnects fabric shared by all LCs in the PLB |
| Input    | Inter-PLB signal | FCIN                   | Fast carry in  |
| Output   | Data signals     | O                      | LUT or registered output   |
| Output   | Inter-PFU signal | FCOUT                  | Fast carry out   |

1. If Set/Reset is not used, then the flip-flop is never set/reset, except when cleared immediately after configuration.

## Routing

There are many resources provided in the iCE40 Ultra devices to route signals individually with related control signals. The routing resources consist of switching circuitry, buffers and metal interconnect (routing) segments.

The inter-PLB connections are made with three different types of routing resources: Adjacent (spans two PLBs), x4 (spans five PLBs) and x12 (spans thirteen PLBs). The Adjacent, x4 and x12 connections provide fast and efficient connections in the diagonal, horizontal and vertical directions.

The design tool takes the output of the synthesis tool and places and routes the design.

## Clock/Control Distribution Network

Each iCE40 Ultra device has six global inputs, two pins on the top bank and four pins on the bottom bank

These global inputs can be used as high fanout nets, clock, reset or enable signals. The dedicated global pins are identified as Gxx and each drives one of the eight global buffers. The global buffers are identified as GBUF[7:0]. These six inputs may be used as general purpose I/O if they are not used to drive the clock nets.

Table 2-2 lists the connections between a specific global buffer and the inputs on a PLB. All global buffers optionally connect to the PLB CLK input. Any four of the eight global buffers can drive logic inputs to a PLB. Even-numbered global buffers optionally drive the Set/Reset input to a PLB. Similarly, odd-numbered buffers optionally drive the PLB clock-enable input. GBUF[7:6, 3:0] can connect directly to G[7:6, 3:0] pins respectively. GBUF4 and GBUF5 can connect to the two on-chip Oscillator Generators (GBUF4 connects to LFOSC, GBUF5 connects to HFOSC).

**Table 2-2. Global Buffer (GBUF) Connections to Programmable Logic Blocks**

| Global Buffer | LUT Inputs                     | Clock | Clock Enable | Reset |
|---------------|--------------------------------|-------|--------------|-------|
| GBUF0         | Yes, any 4 of 8<br>GBUF Inputs | ✓     | ✓            |       |
| GBUF1         |                                | ✓     |              | ✓     |
| GBUF2         |                                | ✓     | ✓            |       |
| GBUF3         |                                | ✓     |              | ✓     |
| GBUF4         |                                | ✓     | ✓            |       |
| GBUF5         |                                | ✓     |              | ✓     |
| GBUF6         |                                | ✓     | ✓            |       |
| GBUF7         |                                | ✓     |              | ✓     |

The maximum frequency for the global buffers are shown in the iCE40 Ultra External Switching Characteristics tables later in this document.

### Global Hi-Z Control

The global high-impedance control signal, GHIZ, connects to all I/O pins on the iCE40 Ultra device. This GHIZ signal is automatically asserted throughout the configuration process, forcing all user I/O pins into their high-impedance state.

### Global Reset Control

The global reset control signal connects to all PLB and PIO flip-flops on the iCE40 Ultra device. The global reset signal is automatically asserted throughout the configuration process, forcing all flip-flops to their defined wake-up state. For PLB flip-flops, the wake-up state is always reset, regardless of the PLB flip-flop primitive used in the application.

### sysCLOCK Phase Locked Loops (PLLs)

The sysCLOCK PLLs provide the ability to synthesize clock frequencies. The iCE40 Ultra devices have one sysCLOCK PLL. REFERENCECLK is the reference frequency input to the PLL and its source can come from an external I/O pin, the internal Oscillator Generators from internal routing. EXTFEEDBACK is the feedback signal to the PLL which can come from internal routing or an external I/O pin. The feedback divider is used to multiply the reference frequency and thus synthesize a higher frequency clock output.

The PLLOUT output has an output divider, thus allowing the PLL to generate different frequencies for each output. The output divider can have a value from 1 to 64 (in increments of 2X). The PLLOUT outputs can all be used to drive the iCE40 Ultra global clock network directly or general purpose routing resources can be used.

The LOCK signal is asserted when the PLL determines it has achieved lock and de-asserted if a loss of lock is detected. A block diagram of the PLL is shown in Figure 2-3.

The timing of the device registers can be optimized by programming a phase shift into the PLLOUT output clock which will advance or delay the output clock with reference to the REFERENCECLK clock. This phase shift can be either programmed during configuration or can be adjusted dynamically. In dynamic mode, the PLL may lose lock after a phase adjustment on the output used as the feedback source and not relock until the tLOCK parameter has been satisfied.

There is an additional feature in the iCE40 Ultra PLL. There are 2 FPGA controlled inputs, SCLK and SDI, that allows the user logic to serially shift in data thru SDI, clocked by SCLK clock. The data shifted in would change the configuration settings of the PLL. This feature allows the PLL to be time multiplexed for different functions, with different clock rates. After the data is shifted in, user would simply pulse the RESET input of the PLL block, and the PLL will re-lock with the new settings. For more details, please refer to TN1251, [iCE40 sysCLOCK PLL Design and Usage Guide](#).

**Figure 2-3. PLL Diagram**

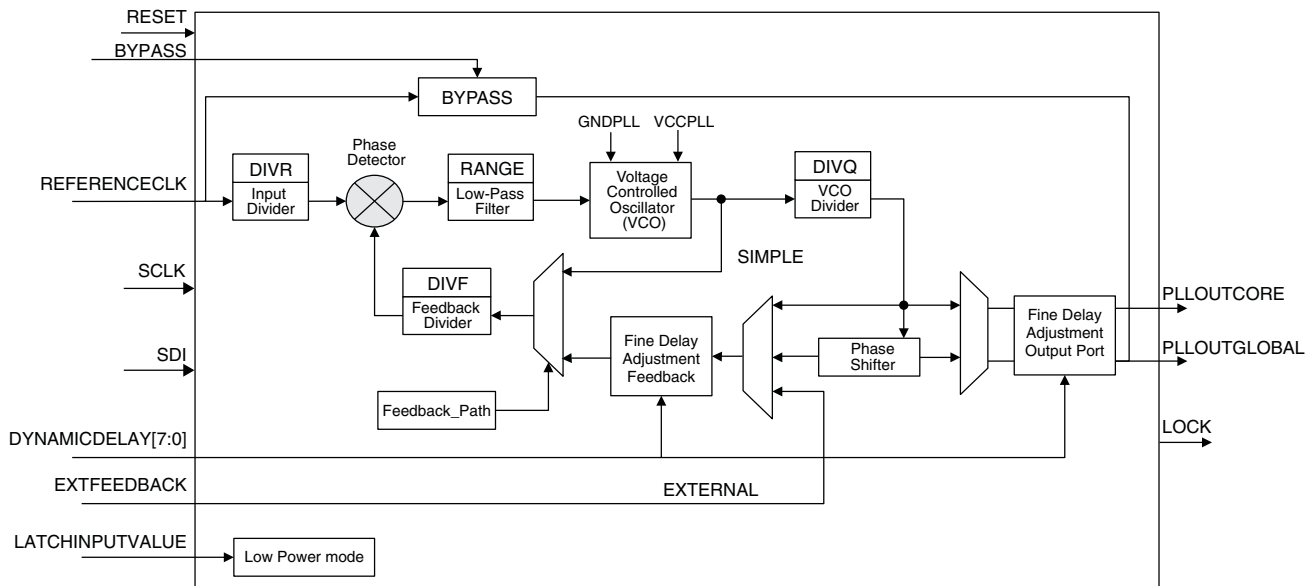


Table 2-3 provides signal descriptions of the PLL block.

**Table 2-3. PLL Signal Descriptions**

| Signal Name       | Direction | Description   |
|-------------------|-----------|---|
| REFERENCECLK      | Input     | Input reference clock   |
| BYPASS            | Input     | The BYPASS control selects which clock signal connects to the PLL-OUT output.<br>0 = PLL generated signal<br>1 = REFERENCECLK   |
| EXTFEEDBACK       | Input     | External feedback input to PLL. Enabled when the FEEDBACK_PATH attribute is set to EXTERNAL.  |
| DYNAMICDELAY[7:0] | Input     | Fine delay adjustment control inputs. Enabled when DELAY_ADJUSTMENT_MODE is set to DYNAMIC.   |
| LATCHINPUTVALUE   | Input     | When enabled, puts the PLL into low-power mode; PLL output is held static at the last input clock value. Set ENABLE ICEGATE_PORTA and PORTB to '1' to enable.                               |
| PLLOUTGLOBAL      | Output    | Output from the Phase-Locked Loop (PLL). Drives a global clock network on the FPGA. The port has optimal connections to global clock buffers GBUF4 and GBUF5.                               |
| PLLOUTCORE        | Output    | Output clock generated by the PLL, drives regular FPGA routing. The frequency generated on this output is the same as the frequency of the clock signal generated on the PLLOUTGLOBAL port. |
| LOCK              | Output    | When High, indicates that the PLL output is phase aligned or locked to the input reference clock.   |
| RESET             | Input     | Active low reset.   |
| SCLK              | Input     | Input, Serial Clock used for re-programming PLL settings.   |
| SDI               | Input     | Input, Serial Data used for re-programming PLL settings.  |

### sysMEM Embedded Block RAM Memory

Larger iCE40 Ultra device includes multiple high-speed synchronous sysMEM Embedded Block RAMs (EBRs), each 4 kbit in size. This memory can be used for a wide variety of purposes including data buffering, and FIFO.

#### sysMEM Memory Block

The sysMEM block can implement single port, pseudo dual port, or FIFO memories with programmable logic resources. Each block can be used in a variety of depths and widths as shown in Table 2-4.



**Table 2-4. sysMEM Block Configurations<sup>1</sup>**

| Block RAM Configuration  | Block RAM Configuration and Size | WADDR Port Size (Bits) | WDATA Port Size (Bits) | RADDR Port Size (Bits) | RDATA Port Size (Bits) | MASK Port Size (Bits) |
|--|----------------------------------|------------------------|------------------------|------------------------|------------------------|-----------------------|
| SB_RAM256x16<br>SB_RAM256x16NR<br>SB_RAM256x16NW<br>SB_RAM256x16NRNW | 256x16 (4 k)                     | 8 [7:0]                | 16 [15:0]              | 8 [7:0]                | 16 [15:0]              | 16 [15:0]             |
| SB_RAM512x8<br>SB_RAM512x8NR<br>SB_RAM512x8NW<br>SB_RAM512x8NRNW     | 512x8 (4 k)                      | 9 [8:0]                | 8 [7:0]                | 9 [8:0]                | 8 [7:0]                | No Mask Port          |
| SB_RAM1024x4<br>SB_RAM1024x4NR<br>SB_RAM1024x4NW<br>SB_RAM1024x4NRNW | 1024x4 (4 k)                     | 10 [9:0]               | 4 [3:0]                | 10 [9:0]               | 4 [3:0]                | No Mask Port          |
| SB_RAM2048x2<br>SB_RAM2048x2NR<br>SB_RAM2048x2NW<br>SB_RAM2048x2NRNW | 2048x2 (4 k)                     | 11 [10:0]              | 2 [1:0]                | 11 [10:0]              | 2 [1:0]                | No Mask Port          |

1. For iCE40 Ultra EBR primitives with a negative-edged Read or Write clock, the base primitive name is appended with a 'N' and a 'R' or 'W' depending on the clock that is affected.

**RAM Initialization and ROM Operation**

If desired, the contents of the RAM can be pre-loaded during device configuration.

By preloading the RAM block during the chip configuration cycle and disabling the write controls, the sysMEM block can also be utilized as a ROM.

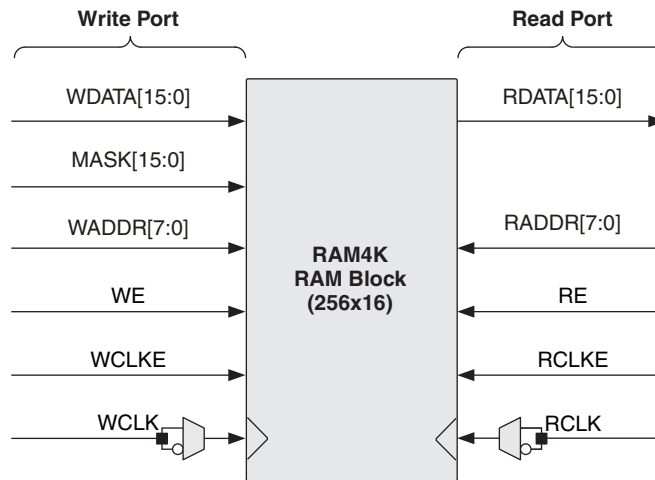
**Memory Cascading**

Larger and deeper blocks of RAM can be created using multiple EBR sysMEM Blocks.

**RAM4k Block**

Figure 2-4 shows the 256x16 memory configurations and their input/output names. In all the sysMEM RAM modes, the input data and addresses for the ports are registered at the input of the memory array.

**Figure 2-4. sysMEM Memory Primitives**



**Table 2-5. EBR Signal Descriptions**

| Signal Name | Direction | Description  |
|-------------|-----------|--|
| WDATA[15:0] | Input     | Write Data input.  |
| MASK[15:0]  | Input     | Masks write operations for individual data bit-lines.<br>0 = write bit<br>1 = do not write bit |
| WADDR[7:0]  | Input     | Write Address input. Selects one of 256 possible RAM locations.                                |
| WE          | Input     | Write Enable input.  |
| WCLKE       | Input     | Write Clock Enable input.  |
| WCLK        | Input     | Write Clock input. Default rising-edge, but with falling-edge option.                          |
| RDATA[15:0] | Output    | Read Data output.  |
| RADDR[7:0]  | Input     | Read Address input. Selects one of 256 possible RAM locations.                                 |
| RE          | Input     | Read Enable input.   |
| RCLKE       | Input     | Read Clock Enable input.   |
| RCLK        | Input     | Read Clock input. Default rising-edge, but with falling-edge option.                           |

For further information on the sysMEM EBR block, please refer to TN1250, [Memory Usage Guide for iCE40 Devices](#).

**sysDSP**

The iCE40 Ultra family provides an efficient sysDSP architecture that is very suitable for low-cost Digital Signal Processing (DSP) functions for mobile applications. Typical functions used in these applications are Multiply, Accumulate, and Multiply-Accumulate. The block can also be used for simple Add and Subtract functions.

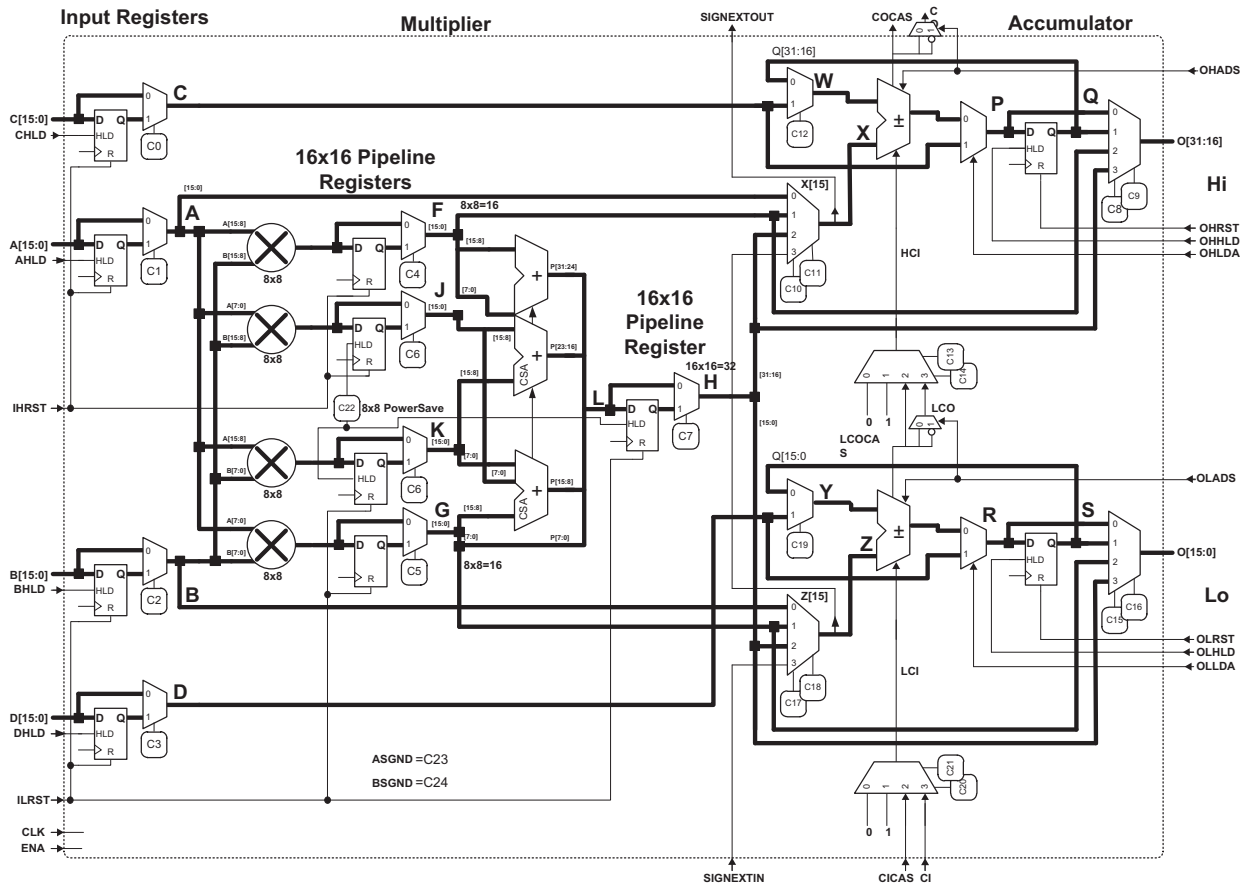
**iCE40 Ultra sysDSP Architecture Features**

The iCE40 Ultra sysDSP supports many functions that include the following:

- Single 16-bit x 16-bit Multiplier, or two independent 8-bit x 8-bit Multipliers
- Optional independent pipeline control on Input Register, Output Register, and Intermediate Reg faster clock performance
- Single 32-bit Accumulator, or two independent 16-bit Accumulators
- Single 32-bit, or two independent 16-bit Adder/Subtractor functions, registered or asynchronous
- Cascadable to create wider Accumulator blocks

Figure 2-5 shows the block diagram of the sysDSP block. The block consists Multiplier section, with an bypassable Output register. The Input Register, Intermediate register between Multiplier and AC timing to achieve the highest performance.

**Figure 2-5. sysDSP Functional Block Diagram (16-bit x 16-bit Multiply-Accumulate)**



**Table 2-6. sysDSP Input/Output List**

| Signal  | Primitive Port Name | Width | Input / Output | Function   | Default     |
|---------|---------------------|-------|----------------|--|-------------|
| CLK     | CLK                 | 1     | Input          | Clock Input. Applies to all clocked elements in the sysDSP block   |             |
| ENA     | CE                  | 1     | Input          | Clock Enable Input. Applies to all clocked elements in the sysDSP block.<br>0 = Not Enabled<br>1 = Enabled   | 0: Enabled  |
| A[15:0] | A[15:0]             | 16    | Input          | Input to the A Register. Feeds the Multiplier or is a direct input to the Adder Accumulator  | 16'b0       |
| B[15:0] | B[15:0]             | 16    | Input          | Input to the B Register. Feeds the Multiplier or is a direct input to the Adder Accumulator  | 16'b0       |
| C[15:0] | C[15:0]             | 16    | Input          | Input to the C Register. It is a direct input to the Adder Accumulator   | 16'b0       |
| D[15:0] | D[15:0]             | 16    | Input          | Input to the D Register. It is a direct input to the Adder Accumulator   | 16'b0       |
| AHLD    | AHOLD               | 1     | Input          | A Register Hold.<br>0 = Update<br>1 = Hold   | 0: Update   |
| BHLD    | BHOLD               | 1     | Input          | B Register Hold.<br>0 = Update<br>1 = Hold   | 0: Update   |
| CHLD    | CHOLD               | 1     | Input          | C Register Hold.<br>0 = Update<br>1 = Hold   | 0: Update   |
| DHLD    | DHOLD               | 1     | Input          | D Register Hold.<br>0 = Update<br>1 = Hold   | 0: Update   |
| IHRST   | IRSTTOP             | 1     | Input          | Reset input to A and C input registers, and the pipeline registers in the upper half of the Multiplier Section.<br>0 = No Reset<br>1 = Reset   | 0: No Reset |
| ILRST   | IRSTBOT             | 1     | Input          | Reset input to B and D input registers, and the pipeline registers in the lower half of the Multiplier Section. It also resets the Multiplier result pipeline register.<br>0 = No Reset<br>1 = Reset                                       | 0: No Reset |
| O[31:0] | O[31:0]             | 32    | Output         | Output of the sysDSP block. This output can be:<br>— O[31:0] – 32-bit result of 16x16 Multiplier or MAC<br>— O[31:16] – 16-bit result of 8x8 upper half Multiplier or MAC<br>— O[15:0] – 16-bit result of 8x8 lower half Multiplier or MAC |             |
| OHHLD   | OHOLDTOP            | 1     | Input          | High-order (upper half) Accumulator Register Hold.<br>0 = Update<br>1 = Hold   | 0: Update   |
| OHRST   | ORSTTOP             | 1     | Input          | Reset input to high-order (upper half) bits of the Accumulator Register.<br>0 = No Reset<br>1 = Reset  | 0: No Reset |

| Signal     | Primitive Port Name | Width | Input / Output | Function   | Default       |
|------------|---------------------|-------|----------------|--|---------------|
| OHLDA      | OLOADTOP            | 1     | Input          | High-order (upper half) Accumulator Register Accumulate/Load control.<br>0 = Accumulate, register is loaded with Adder/Subtractor results<br>1 = Load, register is loaded with Input C or C Register | 0: Accumulate |
| OHADS      | ADDSUBTOP           | 1     | Input          | High-order (upper half) Accumulator Add or Subtract select.<br>0 = Add<br>1 = Subtract   | 0: Add        |
| OLHLD      | OHOLDBOT            | 1     | Input          | Low-order (lower half) Accumulator Register Hold.<br>0 = Update<br>1 = Hold  | 0: Update     |
| OLRST      | ORSTBOT             | 1     | Input          | Reset input to Low-order (lower half) bits of the Accumulator Register.<br>0 = No Reset<br>1 = Reset   | 0: No Reset   |
| OLLDA      | OLOADBOT            | 1     | Input          | Low-order (lower half) Accumulator Register Accumulate/Load control.<br>0 = Accumulate, register is loaded with Adder/Subtractor results<br>1 = Load, register is loaded with Input C or C Register  | 0: Accumulate |
| OLADS      | ADDSUBBOT           | 1     | Input          | Low-order (lower half) Accumulator Add or Subtract select.<br>0 = Add<br>1 = Subtract  | 0: Add        |
| CICAS      | ACCUMCI             | 1     | Input          | Cascade Carry/Borrow input from previous sysDSP block  |               |
| CI         | CI                  | 1     | Input          | Carry/Borrow input from lower logic tile   |               |
| COCAS      | ACCUMCO             | 1     | Output         | Cascade Carry/Borrow output to next sysDSP block   |               |
| CO         | CO                  | 1     | Output         | Carry/Borrow output to higher logic tile   |               |
| SIGNEXTIN  | SIGNEXTIN           | 1     | Input          | Sign extension input from previous sysDSP block  |               |
| SIGNEXTOUT | SIGNEXTOUT          | 1     | Output         | Sign extension output to next sysDSP block   |               |

The iCE40 Ultra sysDSP can support the following functions:

- 8-bit x 8-bit Multiplier
- 16-bit x 16-bit Multiplier
- 16-bit Adder/Subtractor
- 32-bit Adder/Subtractor
- 16-bit Accumulator
- 32-bit Accumulator
- 8-bit x 8-bit Multiply-Accumulate
- 16-bit x 16-bit Multiply-Accumulate

Figure 2-6 shows the path for an 8-bit x 8-bit Multiplier using the upper half of sysDSP block.

**Figure 2-6. sysDSP 8-bit x 8-bit Multiplier**

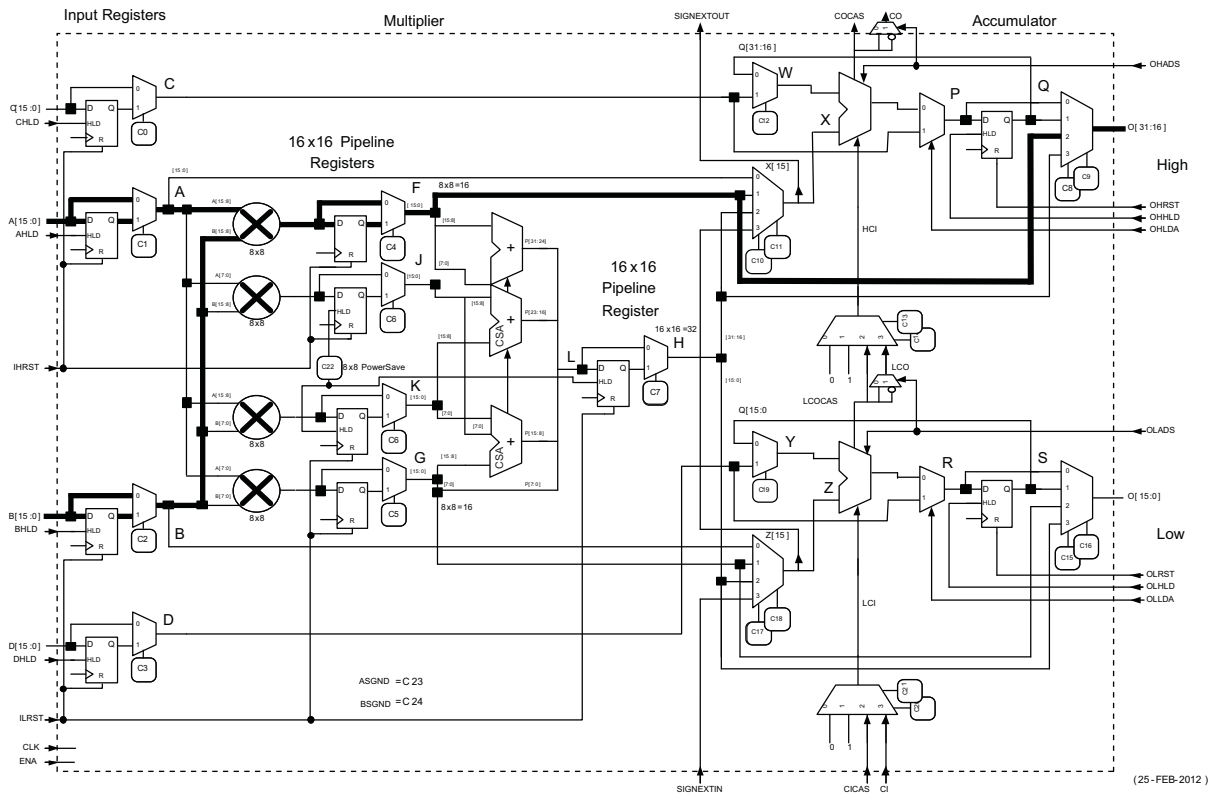
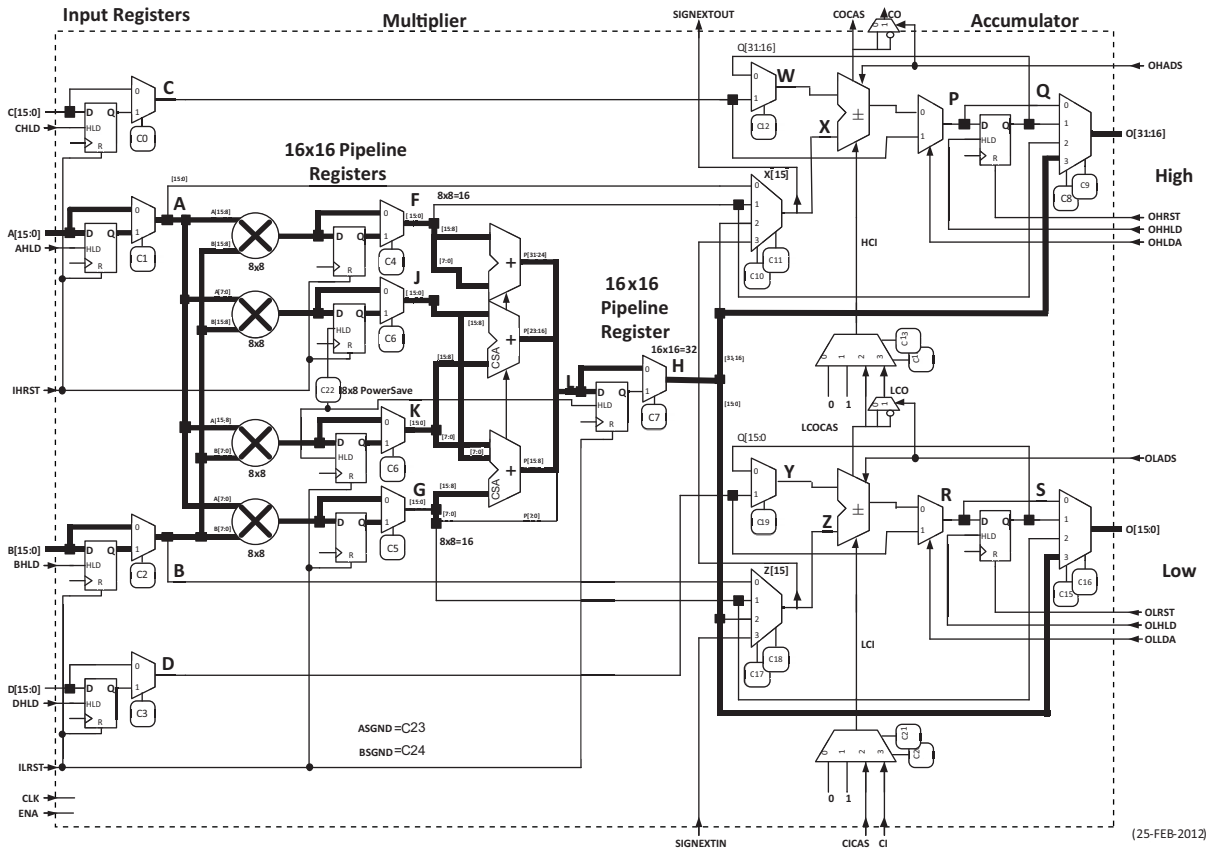


Figure 2-7 shows the path for an 16-bit x 16-bit Multiplier using the upper half of sysDSP block.

Figure 2-7. DSP 16-bit x 16-bit Multiplier



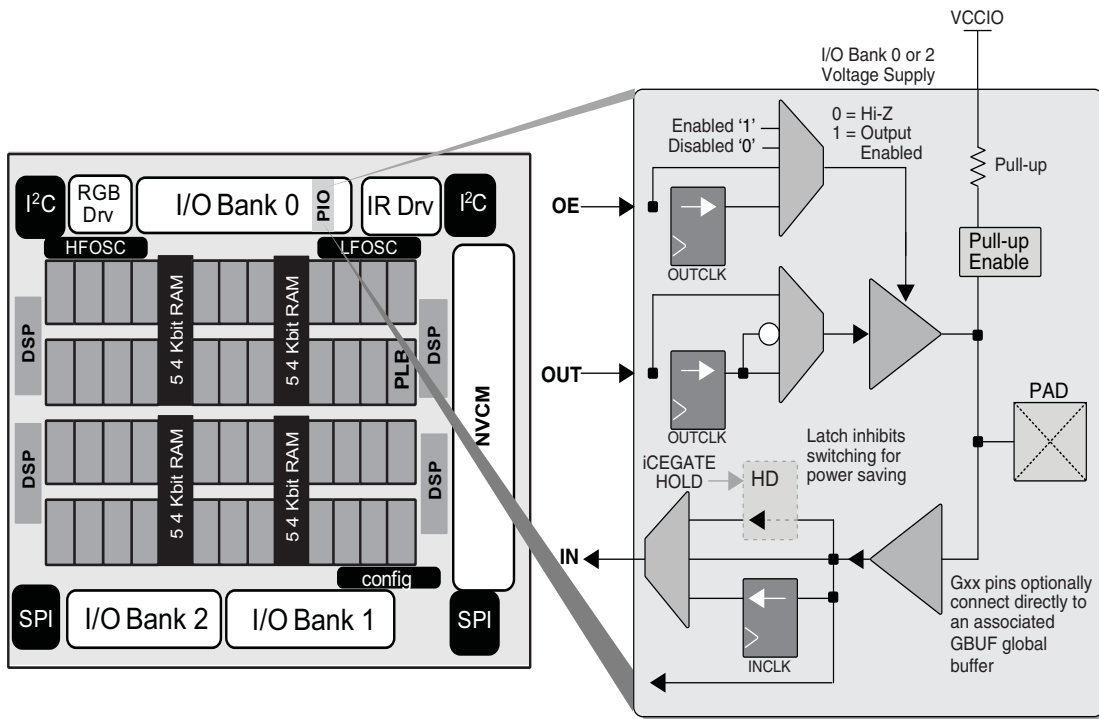
## sysIO Buffer Banks

iCE40 Ultra devices have up to three I/O banks with independent  $V_{CCIO}$  rails. SPI1 interface signals are powered by  $V_{CCIO\_2}$ . Please refer to the [Pin Information Summary](#) table.

## Programmable I/O (PIO)

The programmable logic associated with an I/O is called a PIO. The individual PIOs are connected to their respective sysIO buffers and pads. The PIOs are placed on the top and bottom of the devices.

**Figure 2-8. I/O Bank and Programmable I/O Cell**



The PIO contains three blocks: an input register block, output register block iCEGate™ and tri-state register block. To save power, the optional iCEGate™ latch can selectively freeze the state of individual, non-registered inputs within an I/O bank. Note that the freeze signal is common to the bank. These blocks can operate in a variety of modes along with the necessary clock and selection logic.

### Input Register Block

The input register blocks for the PIOs on all edges contain registers that can be used to condition high-speed interface signals before they are passed to the device core.

### Output Register Block

The output register block can optionally register signals from the core of the device before they are passed to the sysIO buffers.

Figure 2-9 shows the input/output register block for the PIOs.



Figure 2-9. iCE I/O Register Block Diagram

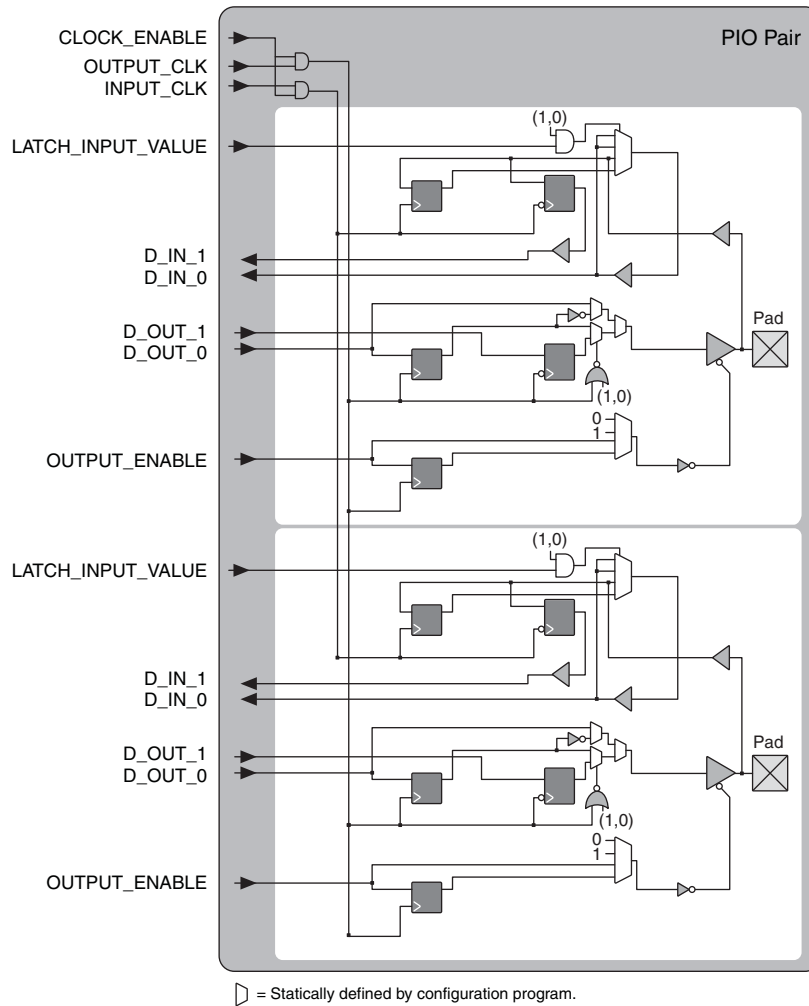


Table 2-7. PIO Signal List

| Pin Name          | I/O Type | Description                   |
|-------------------|----------|-------------------------------|
| OUTPUT_CLK        | Input    | Output register clock         |
| CLOCK_ENABLE      | Input    | Clock enable                  |
| INPUT_CLK         | Input    | Input register clock          |
| OUTPUT_ENABLE     | Input    | Output enable                 |
| D_OUT_0/1         | Input    | Data from the core            |
| D_IN_0/1          | Output   | Data to the core              |
| LATCH_INPUT_VALUE | Input    | Latches/holds the Input Value |

### sysIO Buffer

Each I/O is associated with a flexible buffer referred to as a sysIO buffer. These buffers are arranged around the periphery of the device in groups referred to as banks. The sysIO buffers allow users to implement a wide variety of standards that are found in today's systems with LVCMOS interfaces.

**Typical I/O Behavior During Power-up**

The internal power-on-reset (POR) signal is deactivated when  $V_{CC}$  and  $V_{CCIO\_1}$  reach the level defined in the Power-On-Reset Voltage table in the [DC and Switching Characteristics](#) section of this data sheet. After the POR signal is deactivated, the FPGA core logic becomes active. You must ensure that all  $V_{CCIO}$  banks are active with valid input logic levels to properly control the output logic states of all the I/O banks that are critical to the application. The default configuration of the I/O pins in a device prior to configuration is tri-stated with a weak pull-up to  $V_{CCIO}$ . The I/O pins maintain the pre-configuration state until  $V_{CC}$  and  $V_{CCIO\_2}$  reach the defined levels. The I/Os take on the software user-configured settings only after  $V_{CC\_SPI}$  reaches the level and the device performs a proper download/configuration. Unused I/Os are automatically blocked and the pull-up termination is disabled.

**Supported Standards**

The iCE40 Ultra sysIO buffer supports both single-ended and differential input standards. The buffer supports the LVCMOS 1.8, 2.5, and 3.3 V standards. The buffer has individually configurable options for bus maintenance (weak pull-up or none).

Table 2-8 and Table 2-9 show the I/O standards (together with their supply and reference voltages) supported by the iCE40 Ultra devices.

**Differential Comparators**

The iCE40 Ultra devices provide differential comparator on pairs of I/O pins. These comparators are useful in some mobile applications. Please refer to the [Pin Information Summary](#) section to locate the corresponding paired I/Os with differential comparators.

**Table 2-8. Supported Input Standards**

| Input Standard                 | $V_{CCIO}$ (Typical) |       |       |
|--------------------------------|----------------------|-------|-------|
|                                | 3.3 V                | 2.5 V | 1.8 V |
| <b>Single-Ended Interfaces</b> |                      |       |       |
| LVCMOS33                       | ✓                    |       |       |
| LVCMOS25                       |                      | ✓     |       |
| LVCMOS18                       |                      |       | ✓     |

**Table 2-9. Supported Output Standards**

| Output Standard                | $V_{CCIO}$ (Typical) |
|--------------------------------|----------------------|
| <b>Single-Ended Interfaces</b> |                      |
| LVCMOS33                       | 3.3 V                |
| LVCMOS25                       | 2.5 V                |
| LVCMOS18                       | 1.8 V                |

**On-Chip Oscillator**

The iCE40 Ultra devices feature two different frequency Oscillator. One is tailored for low-power operation that runs at low frequency (LFOSC). Both Oscillators are controlled with internally generated current.

The LFOSC runs at nominal frequency of 10 kHz. The high frequency oscillator (HFOSC) runs at a nominal frequency of 48 MHz, divisible to 24 MHz, 12 MHz, or 6 MHz. The LFOSC can be used to perform all always-on functions, with the lowest power possible. The HFOSC can be enabled when the always-on functions detect a condition that would need to wake up the system to perform higher frequency functions.

---

## User I<sup>2</sup>C IP

The iCE40 Ultra devices have two I<sup>2</sup>C IP cores. Either of the two cores can be configured either as an I<sup>2</sup>C master or as an I<sup>2</sup>C slave. The pins for the I<sup>2</sup>C interface are not pre-assigned. User can use any General Purpose I/O pins.

In each of the two cores, there are options to delay the either the input or the output, or both, by 50 ns nominal, using dedicated on-chip delay elements. This provides an easier interface with any external I<sup>2</sup>C components.

When the IP core is configured as master, it will be able to control other devices on the I<sup>2</sup>C bus through the pre-assigned pin interface. When the core is configured as the slave, the device will be able to provide I/O expansion to an I<sup>2</sup>C Master. The I<sup>2</sup>C cores support the following functionality:

- Master and Slave operation
- 7-bit and 10-bit addressing
- Multi-master arbitration support
- Clock stretching
- Up to 400 kHz data transfer speed
- General Call support
- Optionally delaying input or output data, or both

For further information on the User I<sup>2</sup>C, please refer to TN1274, [iCE40 SPI/I2C Hardened IP Usage Guide](#).

## User SPI IP

The iCE40 Ultra devices have two SPI IP cores. The pins for the SPI interface are not pre-assigned. User can use any General Purpose I/O pins. Both SPI IP cores can be configured as a SPI master or as a slave. When the SPI IP core is configured as a master, it controls the other SPI enabled devices connected to the SPI Bus. When SPI IP core is configured as a slave, the device will be able to interface to an external SPI master.

The SPI IP core supports the following functions:

- Configurable Master and Slave modes
- Full-Duplex data transfer
- Mode fault error flag with CPU interrupt capability
- Double-buffered data register
- Serial clock with programmable polarity and phase
- LSB First or MSB First Data Transfer

For further information on the User SPI, please refer to TN1274, [iCE40 SPI/I2C Hardened IP Usage Guide](#).

## High Current Drive I/O Pins

The iCE40 Ultra family devices offer multiple high current drive outputs in each device in the family to allow the iCE40 Ultra product to drive LED signals directly on mobile applications.

There are three outputs on each device that can sink up to 24 mA current. These outputs are open-drain outputs, and provides sinking current to an LED connecting to the positive supply. These three outputs are designed to drive the RGB LEDs, such as the service LED found in a lot of mobile devices. An embedded RGB PWM IP is also offered in the family. This RGB drive current is user programmable from 4 mA to 24 mA, in increments of 4 mA. This output functions as General Purpose I/O with open-drain when the high current drive is not needed.

There is one output on each device that can sink up to 500 mA current. This output is open-drain, and provides sinking current to drive an external IR LED connecting to the positive supply. This IR drive current is user programmable from 50 mA to 500 mA in increments of 50 mA. This output functions as General Purpose I/O with open-drain when the high current drive is not needed.

### **Embedded PWM IP**

To provide an easier usage of the RGB high current drivers to drive RGB LED, a Pulse-Width Modulator IP can be embedded into the user design. This PWM IP provides the flexibility for user to dynamically change the settings on the ON-time duration, OFF-time duration, and ability to turn the LED lights on and off gradually with user set breath-on and breath-off time.

For additional information on the embedded PWM IP, please refer to TN1288, [iCE40 LED Driver Usage Guide](#).

### **Non-Volatile Configuration Memory**

All iCE40 Ultra devices provide a Non-Volatile Configuration Memory (NVCM) block which can be used to configure the device.

For more information on the NVCM, please refer to TN1248, [iCE40 Programming and Configuration](#).

### **Power On Reset**

iCE40 Ultra devices have power-on reset circuitry to monitor  $V_{CC}$ ,  $SPI\_V_{CCIO1}$ , and  $V_{PP\_2V5}$  voltage levels during power-up and operation. At power-up, the POR circuitry monitors these voltage levels. It then triggers download from either the internal NVCM or the external Flash memory after reaching the power-up levels specified in the Power-On-Reset Voltage table in the DC and Switching Characteristics section of this data sheet. All power supplies should be powered up during configuration. Before and during configuration, the I/Os are held in tri-state. I/Os are released to user functionality once the device has finished configuration.

## iCE40 Ultra Programming and Configuration

This section describes the programming and configuration of the iCE40 Ultra family.

### Device Programming

The NVCM memory can be programmed through the SPI port. The SPI port is located in Bank 1, using SPI\_VCCIO1 power supply.

### Device Configuration

There are various ways to configure the Configuration RAM (CRAM), using SPI port, including:

- From a SPI Flash (Master SPI mode)
- System microprocessor to drive a Serial Slave SPI port (SSPI mode)

For more details on configuring the iCE40 Ultra, please see TN1248, [iCE40 Programming and Configuration](#).

### Power Saving Options

The iCE40 Ultra devices feature iCEGate and PLL low power mode to allow users to meet the static and dynamic power requirements of their applications. Table 2-10 describes the function of these features.

**Table 2-10. iCE40 Ultra Power Saving Features Description**

| Device Subsystem | Feature Description   |
|------------------|---|
| PLL              | When LATCHINPUTVALUE is enabled, puts the PLL into low-power mode; PLL output held static at last input clock value.  |
| iCEGate          | To save power, the optional iCEGate latch can selectively freeze the state of individual, non-registered inputs within an I/O bank. Registered inputs are effectively frozen by their associated clock or clock-enable control. |

### Absolute Maximum Ratings<sup>1, 2, 3</sup>

|   |                  |
|---|------------------|
| Supply Voltage $V_{CC}$ .....           | -0.5 V to 1.42 V |
| Output Supply Voltage $V_{CCIO}$ .....  | -0.5 V to 3.60 V |
| NVCM Supply Voltage $V_{PP\_2V5}$ ..... | -0.5 V to 3.60 V |
| PLL Supply Voltage $V_{CCPLL}$ .....    | -0.5 V to 1.42 V |
| I/O Tri-state Voltage Applied .....     | -0.5 V to 3.60 V |
| Dedicated Input Voltage Applied .....   | -0.5 V to 3.60 V |
| Storage Temperature (Ambient) .....     | -65 °C to 150 °C |
| Junction Temperature ( $T_J$ ) .....    | -65 °C to 125 °C |

1. Stress above those listed under the “Absolute Maximum Ratings” may cause permanent damage to the device. Functional operation of the device at these or any other conditions above those indicated in the operational sections of this specification is not implied.
2. Compliance with the Lattice [Thermal Management](#) document is required.
3. All voltages referenced to GND.

### Recommended Operating Conditions<sup>1</sup>

| Symbol                        | Parameter   | Min.                                       | Max.  | Units |      |   |
|-------------------------------|---|--|-------|-------|------|---|
| $V_{CC}$ <sup>1</sup>         | Core Supply Voltage                                   | 1.14                                       | 1.26  | V     |      |   |
| $V_{PP\_2V5}$                 | VPP_2V5 NVCM Programming and Operating Supply Voltage | Slave SPI Configuration                    | 1.71  | 3.46  | V    |   |
|                               |   | Master SPI Configuration                   | 2.30  | 3.46  | V    |   |
|                               |   | Configuration from NVCM                    | 2.30  | 3.46  | V    |   |
|                               |   | NVCM Programming                           | 2.30  | 3.00  | V    |   |
| $V_{CCIO}$ <sup>1, 2, 3</sup> | I/O Driver Supply Voltage                             | $V_{CCIO\_0}, SPI\_V_{CCIO1}, V_{CCIO\_2}$ |       | 1.71  | 3.46 | V |
| $V_{CCPLL}$                   | PLL Supply Voltage                                    | 1.14                                       | 1.26  | V     |      |   |
| $t_{JCOM}$                    | Junction Temperature Commercial Operation             | 0  | 85    | °C    |      |   |
| $t_{JIND}$                    | Junction Temperature Industrial Operation             | -40  | 100   | °C    |      |   |
| $t_{PROG}$                    | Junction Temperature NVCM Programming                 | 10.00                                      | 30.00 | °C    |      |   |

1. Like power supplies must be tied together if they are at the same supply voltage and they meet the power up sequence requirement. Please refer to [Power-up Sequence](#) section.  $V_{CC}$  and  $V_{CCPLL}$  are not recommended to be tied together. Please refer to TN1252, [iCE40 Hardware Checklist](#).
2. See recommended voltages by I/O standard in subsequent table.
3.  $V_{CCIO}$  pins of unused I/O banks should be connected to the  $V_{CC}$  power supply on boards.

### Power Supply Ramp Rates<sup>1, 2</sup>

| Symbol     | Parameter                                       | Min. | Max. | Units |
|------------|---|------|------|-------|
| $t_{RAMP}$ | Power supply ramp rates for all power supplies. | 0.6  | 10   | V/ms  |

1. Assumes monotonic ramp rates.
2. Power up sequence must be followed. Please refer to [Power-up Sequence](#) section.

## Power-up Sequence

For all iCE40 Ultra devices, it is required to have the  $V_{PP\_2V5}$  to be powered up last among the supplies that are monitored by POR circuitry ( $V_{CC}$ ,  $SPI\_V_{CCIO1}$ , and  $V_{PP\_2V5}$ ). All supply voltages need to be powered up during configuration.

For all iCE40 Ultra devices, the Power Up sequence is:  $V_{CC}$  and  $V_{CCPLL}$ ,  $SPI\_V_{CCIO1}$ ,  $V_{PP\_2V5}$ ,  $V_{CCIO0}$  and  $V_{CCIO2}$ . Each supply has to wait until the previous supplies in the sequence have reached 0.5 V or higher.

There is no power down sequence required. However, when partial power supplies are powered down, it is required the above sequence to be followed when these supplies are re-powered up again.

## Power-On-Reset Voltage Levels<sup>1</sup>

| Symbol      | Parameter   | Min.             | Max. | Units |   |
|-------------|---|------------------|------|-------|---|
| $V_{PORUP}$ | Power-On-Reset ramp-up trip point (circuit monitoring $V_{CC}$ , $SPI\_V_{CCIO1}$ , $V_{PP\_2V5}$ )   | $V_{CC}$         | 0.62 | 0.92  | V |
|             |   | $SPI\_V_{CCIO1}$ | 0.87 | 1.50  | V |
|             |   | $V_{PP\_2V5}$    | 0.90 | 1.53  | V |
| $V_{PORDN}$ | Power-On-Reset ramp-down trip point (circuit monitoring $V_{CC}$ , $SPI\_V_{CCIO1}$ , $V_{PP\_2V5}$ ) | $V_{CC}$         | —    | 0.79  | V |
|             |   | $SPI\_V_{CCIO1}$ | —    | 1.50  | V |
|             |   | $V_{PP\_2V5}$    | —    | 1.53  | V |

1. These POR trip points are only provided for guidance. Device operation is only characterized for power supply voltages specified under recommended operating conditions.

## ESD Performance

Please contact Lattice Semiconductor for additional information.

## DC Electrical Characteristics

### Over Recommended Operating Conditions

| Symbol                               | Parameter   | Condition  | Min. | Typ. | Max.  | Units   |
|--------------------------------------|---|--|------|------|-------|---------|
| $I_{IL}$ , $I_{IH}$ <sup>1,3,4</sup> | Input or I/O Leakage                                | $0V < V_{IN} < V_{CCIO} + 0.2 V$   | —    | —    | +/-10 | $\mu A$ |
| $C_1$                                | I/O Capacitance, excluding LED Drivers <sup>2</sup> | $V_{CCIO} = 3.3 V, 2.5 V, 1.8 V$<br>$V_{CC} = Typ., V_{IO} = 0 \text{ to } V_{CCIO} + 0.2 V$ | —    | 6    | —     | pf      |
| $C_2$                                | Global Input Buffer Capacitance <sup>2</sup>        | $V_{CCIO} = 3.3 V, 2.5 V, 1.8 V$<br>$V_{CC} = Typ., V_{IO} = 0 \text{ to } V_{CCIO} + 0.2 V$ | —    | 6    | —     | pf      |
| $C_3$                                | RGB Pin Capacitance <sup>2</sup>                    | $V_{CC} = Typ., V_{IO} = 0 \text{ to } 3.5 V$  | —    | 15   | —     | pf      |
| $C_4$                                | IRLED Pin Capacitance <sup>2</sup>                  | $V_{CC} = Typ., V_{IO} = 0 \text{ to } 3.5 V$  | —    | 53   | —     | pf      |
| $V_{HYST}$                           | Input Hysteresis                                    | $V_{CCIO} = 1.8 V, 2.5 V, 3.3 V$   | —    | 200  | —     | mV      |
| $I_{PU}$                             | Internal PIO Pull-up Current                        | $V_{CCIO} = 1.8 V, 0 \leq V_{IN} \leq 0.65 V_{CCIO}$   | -3   | —    | -31   | $\mu A$ |
|                                      |   | $V_{CCIO} = 2.5 V, 0 \leq V_{IN} \leq 0.65 V_{CCIO}$   | -8   | —    | -72   | $\mu A$ |
|                                      |   | $V_{CCIO} = 3.3 V, 0 \leq V_{IN} \leq 0.65 V_{CCIO}$   | -11  | —    | -128  | $\mu A$ |

1. Input or I/O leakage current is measured with the pin configured as an input or as an I/O with the output driver tri-stated. It is not measured with the output driver active. Internal pull-up resistors are disabled.

2.  $T_J$  25 °C,  $f = 1.0$  MHz.

3. Please refer to  $V_{IL}$  and  $V_{IH}$  in the sysIO Single-Ended DC Electrical Characteristics table of this document.

4. Some products are clamped to a diode when  $V_{IN}$  is larger than  $V_{CCIO}$ .

## Supply Current <sup>1, 2, 3, 4</sup>

| Symbol                       | Parameter   | Typ. VCC = 1.2 V <sup>4</sup> | Units |
|------------------------------|---|-------------------------------|-------|
| I <sub>CCSTDBY</sub>         | Core Power Supply Static Current                      | 71                            | μA    |
| I <sub>PP2V5STDBY</sub>      | VCC_V2P5 Power Supply Static Current                  | 0.55                          | μA    |
| I <sub>SPI_VCCIO1STDBY</sub> | SPI_VCCIO1 Power Supply Static Current                | 0.5                           | μA    |
| I <sub>CCIOSTDBY</sub>       | V <sub>CCIO</sub> Power Supply Static Current         | 0.5                           | μA    |
| I <sub>CCPEAK</sub>          | Core Power Supply Startup Peak Current                | 8.0                           | mA    |
| I <sub>PP_2V5PEAK</sub>      | V <sub>PP_2V5</sub> Power Supply Startup Peak Current | 7.0                           | mA    |
| I <sub>SPI_VCCIO1PEAK</sub>  | SPI_VCCIO1 Power Supply Startup Peak Current          | 9.0                           | mA    |
| I <sub>CCIOPEAK</sub>        | V <sub>CCIO</sub> Power Supply Startup Peak Current   | 7.5                           | mA    |

1. Assumes blank pattern with the following characteristics: all outputs are tri-stated, all inputs are configured as LVCMOS and held at V<sub>CCIO</sub> or GND, on-chip PLL is off. For more detail with your specific design, use the Power Calculator tool. Power specified with master SPI configuration mode. Other modes may be up to 25% higher.
2. Frequency = 0 MHz.
3. T<sub>J</sub> = 25 °C, power supplies at nominal voltage, on devices processed in nominal process conditions.
4. Does not include pull-up.

## User I<sup>2</sup>C Specifications

| Parameter Symbol    | Parameter Description                | spec (STD Mode) |     |     | spec (FAST Mode) |     |     | Units |
|---------------------|--------------------------------------|-----------------|-----|-----|------------------|-----|-----|-------|
|                     |                                      | Min             | Typ | Max | Min              | Typ | Max |       |
| f <sub>SCL</sub>    | Maximum SCL clock frequency          | —               | —   | 100 | —                | —   | 400 | kHz   |
| t <sub>HI</sub>     | SCL clock HIGH Time                  | 4               | —   | —   | 0.6              | —   | —   | μs    |
| t <sub>LO</sub>     | SCL clock LOW Time                   | 4.7             | —   | —   | 1.3              | —   | —   | μs    |
| t <sub>SU,DAT</sub> | Setup time (DATA)                    | 250             | —   | —   | 100              | —   | —   | ns    |
| t <sub>HD,DAT</sub> | Hold time (DATA)                     | 0               | —   | —   | 0                | —   | —   | ns    |
| t <sub>SU,STA</sub> | Setup time (START condition)         | 4.7             | —   | —   | 0.6              | —   | —   | μs    |
| t <sub>HD,STA</sub> | Hold time (START condition)          | 4               | —   | —   | 0.6              | —   | —   | μs    |
| t <sub>SU,STO</sub> | Setup time (STOP condition)          | 4               | —   | —   | 0.6              | —   | —   | μs    |
| t <sub>BUF</sub>    | Bus free time between STOP and START | 4.7             | —   | —   | 1.3              | —   | —   | μs    |
| t <sub>CO,DAT</sub> | SCL LOW to DATAOUT valid             | —               | —   | 3.4 | —                | —   | 0.9 | μs    |

## User SPI Specifications

| Parameter Symbol        | Parameter Description       | Min | Typ | Max  | Units |
|-------------------------|-----------------------------|-----|-----|------|-------|
| f <sub>MAX</sub>        | Maximum SCK clock frequency | —   | —   | 45   | MHz   |
| t <sub>HI</sub>         | HIGH period of SCK clock    | 9   | —   | —    | ns    |
| t <sub>LO</sub>         | LOW period of SCK clock     | 9   | —   | —    | ns    |
| t <sub>SUmaster</sub>   | Setup time (master mode)    | 2   | —   | —    | ns    |
| t <sub>HOLDmaster</sub> | Hold time (master mode)     | 5   | —   | —    | ns    |
| t <sub>SUslave</sub>    | Setup time (slave mode)     | 2   | —   | —    | ns    |
| t <sub>HOLDslave</sub>  | Hold time (slave mode)      | 5   | —   | —    | ns    |
| t <sub>SCK2OUT</sub>    | SCK to out (slave mode)     | —   | —   | 13.5 | ns    |



## Internal Oscillators (HFOSC, LFOSC)<sup>1</sup>

| Parameter             |                 | Parameter Description                                  | Spec/Recommended |     |     | Units  |
|-----------------------|-----------------|--|------------------|-----|-----|--------|
| Symbol                | Conditions      |  | Min              | Typ | Max |        |
| f <sub>CLKHF</sub>    | Commercial Temp | HFOSC clock frequency (t <sub>J</sub> = 0 °C–85 °C)    | –10%             | 48  | 10% | MHz    |
|                       | Industrial Temp | HFOSC clock frequency (t <sub>J</sub> = –40 °C–100 °C) | –20%             | 48  | 20% | MHz    |
| f <sub>CLKLF</sub>    |                 | LFOSC CLKK clock frequency                             | –10%             | 10  | 10% | kHz    |
| DCH <sub>CLKHF</sub>  |                 | HFOSC Duty Cycle (Clock High Period)                   | 45               | 50  | 55  | %      |
| DCH <sub>CLKLF</sub>  |                 | LFOSC Duty Cycle (Clock High Period)                   | 45               | 50  | 55  | %      |
| T <sub>sync_on</sub>  |                 | Oscillator output synchronizer delay                   | —                | —   | 5   | Cycles |
| T <sub>sync_off</sub> |                 | Oscillator output disable delay                        | —                | —   | 5   | Cycles |

1. Glitchless enabling and disabling OSC clock outputs.

## sysIO Recommended Operating Conditions

| Standard    | V <sub>CCIO</sub> (V) |      |      |
|-------------|-----------------------|------|------|
|             | Min.                  | Typ. | Max. |
| LVC MOS 3.3 | 3.14                  | 3.3  | 3.46 |
| LVC MOS 2.5 | 2.37                  | 2.5  | 2.62 |
| LVC MOS 1.8 | 1.71                  | 1.8  | 1.89 |

## sysIO Single-Ended DC Electrical Characteristics

| Input/<br>Output<br>Standard | V <sub>IL</sub> |                       | V <sub>IH</sub> <sup>1</sup> |                          | V <sub>OL</sub> Max.<br>(V) | V <sub>OH</sub> Min.<br>(V) | I <sub>OL</sub> Max.<br>(mA) | I <sub>OH</sub> Max.<br>(mA) |
|------------------------------|-----------------|-----------------------|------------------------------|--------------------------|-----------------------------|-----------------------------|------------------------------|------------------------------|
|                              | Min. (V)        | Max. (V)              | Min. (V)                     | Max. (V)                 |                             |                             |                              |                              |
| LVC MOS 3.3                  | –0.3            | 0.8                   | 2.0                          | V <sub>CCIO</sub> + 0.2V | 0.4                         | V <sub>CCIO</sub> – 0.4     | 8                            | –8                           |
|                              |                 |                       |                              |                          | 0.2                         | V <sub>CCIO</sub> – 0.2     | 0.1                          | –0.1                         |
| LVC MOS 2.5                  | –0.3            | 0.7                   | 1.7                          | V <sub>CCIO</sub> + 0.2V | 0.4                         | V <sub>CCIO</sub> – 0.4     | 6                            | –6                           |
|                              |                 |                       |                              |                          | 0.2                         | V <sub>CCIO</sub> – 0.2     | 0.1                          | –0.1                         |
| LVC MOS 1.8                  | –0.3            | 0.35V <sub>CCIO</sub> | 0.65V <sub>CCIO</sub>        | V <sub>CCIO</sub> + 0.2V | 0.4                         | V <sub>CCIO</sub> – 0.4     | 4                            | –4                           |
|                              |                 |                       |                              |                          | 0.2                         | V <sub>CCIO</sub> – 0.2     | 0.1                          | –0.1                         |

1. Some products are clamped to a diode when V<sub>IN</sub> is larger than V<sub>CCIO</sub>.

## Differential Comparator Electrical Characteristics

| Parameter<br>Symbol   | Parameter Description  | Test<br>Conditions        | Min. | Max.                       | Units |
|-----------------------|--|---------------------------|------|----------------------------|-------|
| V <sub>REF</sub>      | Reference Voltage to compare, on V <sub>INM</sub>              | V <sub>CCIO</sub> = 2.5 V | 0.25 | V <sub>CCIO</sub> = 0.25 V | V     |
| V <sub>DIFFIN_H</sub> | Differential input HIGH (V <sub>INP</sub> - V <sub>INM</sub> ) | V <sub>CCIO</sub> = 2.5 V | 250  | —                          | mV    |
| V <sub>DIFFIN_L</sub> | Differential input LOW (V <sub>INP</sub> - V <sub>INM</sub> )  | V <sub>CCIO</sub> = 2.5 V | —    | –250                       | mV    |
| I <sub>IN</sub>       | Input Current, V <sub>INP</sub> and V <sub>INM</sub>           | V <sub>CCIO</sub> = 2.5 V | –10  | 10                         | μA    |

## Typical Building Block Function Performance<sup>1, 2</sup>

### Pin-to-Pin Performance (LVCMOS25)

| Function               | Timing | Units |
|------------------------|--------|-------|
| <b>Basic Functions</b> |        |       |
| 16-bit decoder         | 16.5   | ns    |
| 4:1 MUX                | 18.0   | ns    |
| 16:1 MUX               | 19.5   | ns    |

### Register-to-Register Performance

| Function                         | Timing | Units |
|----------------------------------|--------|-------|
| <b>Basic Functions</b>           |        |       |
| 16:1 MUX                         | 110    | MHz   |
| 16-bit adder                     | 100    | MHz   |
| 16-bit counter                   | 100    | MHz   |
| 64-bit counter                   | 40     | MHz   |
| <b>Embedded Memory Functions</b> |        |       |
| 256x16 Pseudo-Dual Port RAM      | 150    | MHz   |

1. The above timing numbers are generated using the iCECube2 design tool. Exact performance may vary with device and tool version. The tool uses internal parameters that have been characterized but are not tested on every device.
2. Using a  $V_{CC}$  of 1.14 V at Junction Temp 85 °C.

## Derating Logic Timing

Logic timing provided in the following sections of the data sheet and the Lattice design tools are worst case numbers in the operating range. Actual delays may be much faster. Lattice design tools can provide logic timing numbers at a particular temperature and voltage.

## Maximum sysIO Buffer Performance<sup>1</sup>

| I/O Standard   | Max. Speed | Units |
|----------------|------------|-------|
| <b>Inputs</b>  |            |       |
| LVCMOS33       | 250        | MHz   |
| LVCMOS25       | 250        | MHz   |
| LVCMOS18       | 250        | MHz   |
| <b>Outputs</b> |            |       |
| LVCMOS33       | 250        | MHz   |
| LVCMOS25       | 250        | MHz   |
| LVCMOS18       | 155        | MHz   |

1. Measured with a toggling pattern

## iCE40 Ultra Family Timing Adders

Over Recommended Commercial Operating Conditions<sup>1, 2, 3</sup>

| Buffer Type             | Description                        | Timing (Typ.) | Units |
|-------------------------|------------------------------------|---------------|-------|
| <b>Input Adjusters</b>  |                                    |               |       |
| LVC MOS33               | LVC MOS, $V_{CCIO} = 3.3\text{ V}$ | 0.18          | ns    |
| LVC MOS25               | LVC MOS, $V_{CCIO} = 2.5\text{ V}$ | 0             | ns    |
| LVC MOS18               | LVC MOS, $V_{CCIO} = 1.8\text{ V}$ | 0.19          | ns    |
| <b>Output Adjusters</b> |                                    |               |       |
| LVC MOS33               | LVC MOS, $V_{CCIO} = 3.3\text{ V}$ | -0.12         | ns    |
| LVC MOS25               | LVC MOS, $V_{CCIO} = 2.5\text{ V}$ | 0             | ns    |
| LVC MOS18               | LVC MOS, $V_{CCIO} = 1.8\text{ V}$ | 1.32          | ns    |

1. Timing adders are relative to LVC MOS25 and characterized but not tested on every device.
2. LVC MOS timing measured with the load specified in Switching Test Condition table.
3. Commercial timing numbers are shown.

## iCE40 Ultra External Switching Characteristics

Over Recommended Commercial Operating Conditions

| Parameter   | Description                                       | Device      | Min  | Max | Units |
|---|---|-------------|------|-----|-------|
| <b>Clocks</b>   |   |             |      |     |       |
| <b>Global Clocks</b>  |   |             |      |     |       |
| $f_{MAX\_GBUF}$   | Frequency for Global Buffer Clock network         | All devices | —    | 185 | MHz   |
| $t_{W\_GBUF}$   | Clock Pulse Width for Global Buffer               | All devices | 2    | —   | ns    |
| $t_{SKEW\_GBUF}$  | Global Buffer Clock Skew Within a Device          | All devices | —    | 500 | ps    |
| <b>Pin-LUT-Pin Propagation Delay</b>  |   |             |      |     |       |
| $t_{PD}$  | Best case propagation delay through one LUT logic | All devices | —    | 9.0 | ns    |
| <b>General I/O Pin Parameters (Using Global Buffer Clock without PLL)<sup>1</sup></b> |   |             |      |     |       |
| $t_{SKEW\_IO}$  | Data bus skew across a bank of IOs                | All devices | —    | 410 | ps    |
| $t_{CO}$  | Clock to Output – PIO Output Register             | All devices | —    | 9.0 | ns    |
| $t_{SU}$  | Clock to Data Setup – PIO Input Register          | All devices | -0.5 | —   | ns    |
| $t_H$   | Clock to Data Hold – PIO Input Register           | All devices | 5.55 | —   | ns    |
| <b>General I/O Pin Parameters (Using Global Buffer Clock with PLL)</b>                |   |             |      |     |       |
| $t_{COPLL}$   | Clock to Output – PIO Output Register             | All Devices | —    | 2.9 | ns    |
| $t_{SUPLL}$   | Clock to Data Setup – PIO Input Register          | All Devices | 5.9  | —   | ns    |
| $t_{HPLL}$  | Clock to Data Hold – PIO Input Register           | All Devices | -0.6 | —   | ns    |

1. All the data is from the worst case condition 85 °C, 1.14 V except tsu parameter, tsu is from the worst case condition -40 °C/1.26 V.

## sysCLOCK PLL Timing

### Over Recommended Operating Conditions

| Parameter                 | Descriptions                                      | Conditions             | Min. | Max.  | Units      |
|---------------------------|---|------------------------|------|-------|------------|
| $f_{IN}$                  | Input Clock Frequency (REFERENCECLK, EXTFEEDBACK) |                        | 10   | 133   | MHz        |
| $f_{OUT}$                 | Output Clock Frequency (PLLOUT)                   |                        | 16   | 275   | MHz        |
| $f_{VCO}$                 | PLL VCO Frequency                                 |                        | 533  | 1066  | MHz        |
| $f_{PFD}$                 | Phase Detector Input Frequency                    |                        | 10   | 133   | MHz        |
| <b>AC Characteristics</b> |   |                        |      |       |            |
| $t_{DT}$                  | Output Clock Duty Cycle                           |                        | 40   | 60    | %          |
| $t_{PH}$                  | Output Phase Accuracy                             |                        | —    | +/-12 | deg        |
| $t_{OPJIT}^{1,5,6}$       | Output Clock Period Jitter                        | $f_{OUT} \leq 100$ MHz | —    | 450   | ps p-p     |
|                           |   | $f_{OUT} > 100$ MHz    | —    | 0.05  | UIPP       |
|                           | Output Clock Cycle-to-cycle Jitter                | $f_{OUT} \leq 100$ MHz | —    | 750   | ps p-p     |
|                           |   | $f_{OUT} > 100$ MHz    | —    | 0.10  | UIPP       |
|                           | Output Clock Phase Jitter                         | $f_{PFD} \leq 25$ MHz  | —    | 275   | ps p-p     |
|                           |   | $f_{PFD} > 25$ MHz     | —    | 0.05  | UIPP       |
| $t_W$                     | Output Clock Pulse Width                          | At 90% or 10%          | 1.33 | —     | ns         |
| $t_{LOCK}^{2,3}$          | PLL Lock-in Time                                  |                        | —    | 50    | $\mu$ s    |
| $t_{UNLOCK}$              | PLL Unlock Time                                   |                        | —    | 50    | ns         |
| $t_{IPJIT}^4$             | Input Clock Period Jitter                         | $f_{PFD} \geq 20$ MHz  | —    | 1000  | ps p-p     |
|                           |   | $f_{PFD} < 20$ MHz     | —    | 0.02  | UIPP       |
| $t_{STABLE}^3$            | LATCHINPUTVALUE LOW to PLL Stable                 |                        | —    | 500   | ns         |
| $t_{STABLE\_PW}^3$        | LATCHINPUTVALUE Pulse Width                       |                        | 100  | —     | ns         |
| $t_{RST}$                 | RESET Pulse Width                                 |                        | 10   | —     | ns         |
| $t_{RSTREC}$              | RESET Recovery Time                               |                        | 10   | —     | $\mu$ s    |
| $t_{DYNAMIC\_WD}$         | DYNAMICDELAY Pulse Width                          |                        | 100  | —     | VCO Cycles |

1. Period jitter sample is taken over 10,000 samples of the primary PLL output with a clean reference clock. Cycle-to-cycle jitter is taken over 1000 cycles. Phase jitter is taken over 2000 cycles. All values per JESD65B.
2. Output clock is valid after  $t_{LOCK}$  for PLL reset and dynamic delay adjustment.
3. At minimum  $f_{PFD}$ . As the  $f_{PFD}$  increases the time will decrease to approximately 60% the value listed.
4. Maximum limit to prevent PLL unlock from occurring. Does not imply the PLL will operate within the output specifications listed in this table.
5. The jitter values will increase with loading of the PLD fabric and in the presence of SSO noise.

## sysDSP Timing

### Over Recommended Operating Conditions

| Parameter           | Description  | Min. | Max. | Units |
|---------------------|--|------|------|-------|
| $f_{MAX8x8SMULT}$   | Max frequency signed MULT8x8 bypassing pipeline register   | 50   | —    | MHz   |
| $f_{MAX16x16SMULT}$ | Max frequency signed MULT16x16 bypassing pipeline register | 50   | —    | MHz   |

## SPI Master or NVCM Configuration Time<sup>1, 2</sup>

| Symbol              | Parameter                         | Conditions                            | Max. | Units |
|---------------------|-----------------------------------|---------------------------------------|------|-------|
| t <sub>CONFIG</sub> | POR/CRESET_B to Device I/O Active | All devices – Low Frequency (Default) | 95   | ms    |
|                     |                                   | All devices – Medium frequency        | 35   | ms    |
|                     |                                   | All devices – High frequency          | 18   | ms    |

1. Assumes sysMEM Block is initialized to an all zero pattern if they are used.
2. The NVCM download time is measured with a fast ramp rate starting from the maximum voltage of POR trip point.

## sysCONFIG Port Timing Specifications

| Symbol                         | Parameter  | Conditions                    | Min. | Typ. | Max. | Units        |
|--------------------------------|--|-------------------------------|------|------|------|--------------|
| <b>All Configuration Modes</b> |  |                               |      |      |      |              |
| t <sub>CRESET_B</sub>          | Minimum CRESET_B LOW pulse width required to restart configuration, from falling edge to rising edge   |                               | 200  | —    | —    | ns           |
| t <sub>DONE_IO</sub>           | Number of configuration clock cycles after CDONE goes HIGH before the PIO pins are activated   |                               | 49   | —    | —    | Clock Cycles |
| <b>Slave SPI</b>               |  |                               |      |      |      |              |
| t <sub>CR_SCK</sub>            | Minimum time from a rising edge on CRESET_B until the first SPI WRITE operation, first SPI_XCK clock. During this time, the iCE40 Ultra device is clearing its internal configuration memory |                               | 1200 | —    | —    | μs           |
| f <sub>MAX</sub>               | CCLK clock frequency   | Write                         | 1    | —    | 25   | MHz          |
|                                |  | Read <sup>1</sup>             | —    | 15   | —    | MHz          |
| t <sub>CCLKH</sub>             | CCLK clock pulsewidth HIGH   |                               | 20   | —    | —    | ns           |
| t <sub>CCLKL</sub>             | CCLK clock pulsewidth LOW  |                               | 20   | —    | —    | ns           |
| t <sub>STSU</sub>              | CCLK setup time  |                               | 12   | —    | —    | ns           |
| t <sub>STH</sub>               | CCLK hold time   |                               | 12   | —    | —    | ns           |
| t <sub>STCO</sub>              | CCLK falling edge to valid output  |                               | 13   | —    | —    | ns           |
| <b>Master SPI<sup>3</sup></b>  |  |                               |      |      |      |              |
| f <sub>MCLK</sub>              | MCLK clock frequency   | Low Frequency (Default)       | 7.0  | 12.0 | 17.0 | MHz          |
|                                |  | Medium Frequency <sup>2</sup> | 21.0 | 33.0 | 45.0 | MHz          |
|                                |  | High Frequency <sup>2</sup>   | 33.0 | 53.0 | 71.0 | MHz          |
| t <sub>MCLK</sub>              | CRESET_B HIGH to first MCLK edge   |                               | 1200 | —    | —    | μs           |
| t <sub>SU</sub>                | CCLK setup time  |                               | 6.16 | —    | —    | ns           |
| t <sub>HD</sub>                | CCLK setup time  |                               | 1    | —    | —    | ns           |

1. Supported with 1.2 V V<sub>CC</sub> and at 25 °C.
2. Extended range f<sub>MAX</sub> Write operations support up to 53 MHz with 1.2 V V<sub>CC</sub> and at 25 °C.
3. t<sub>SU</sub> and t<sub>HD</sub> timing must be met for all MCLK frequency choices.

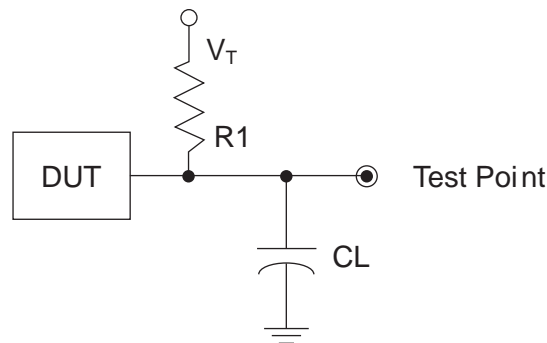
## High Current LED and IR LED Drive

| Symbol        | Parameter  | Min. | Max. | Units |
|---------------|--|------|------|-------|
| ILED_ACCURACY | LED0, LED1, LED2 Sink Current Accuracy to selected current @ $V_{LEDOUT} \geq 0.5 \text{ V}$ | -10  | +10  | %     |
| ILED_MATCH    | LED0, LED1, LED2 Sink Current Matching among the 3 outputs @ $V_{LEDOUT} \geq 0.5 \text{ V}$ | -5   | +5   | %     |
| IIR_ACCURACY  | IR LED Sink Current Accuracy to selected current @ $V_{IROUT} \geq 0.8 \text{ V}$            | -12  | +10  | %     |

## Switching Test Conditions

Figure 3-1 shows the output test load used for AC testing. The specific values for resistance, capacitance, voltage, and other test conditions are shown in Table 3-1.

**Figure 3-1. Output Test Load, LVCMOS Standards**



**Table 3-1. Test Fixture Required Components, Non-Terminated Interfaces**

| Test Condition                   | $R_1$    | $C_L$ | Timing Reference          | $V_T$    |
|----------------------------------|----------|-------|---------------------------|----------|
| LVCMOS settings (L -> H, H -> L) | $\infty$ | 0 pF  | LVCMOS 3.3 = 1.5 V        | —        |
|                                  |          |       | LVCMOS 2.5 = $V_{CCIO}/2$ | —        |
|                                  |          |       | LVCMOS 1.8 = $V_{CCIO}/2$ | —        |
| LVCMOS 3.3 (Z -> H)              | 188      | 0 pF  | 1.5 V                     | $V_{OL}$ |
| LVCMOS 3.3 (Z -> L)              |          |       | 1.5 V                     | $V_{OH}$ |
| Other LVCMOS (Z -> H)            |          |       | $V_{CCIO}/2$              | $V_{OL}$ |
| Other LVCMOS (Z -> L)            |          |       | $V_{CCIO}/2$              | $V_{OH}$ |
| LVCMOS (H -> Z)                  |          |       | $V_{OH} - 0.15 \text{ V}$ | $V_{OL}$ |
| LVCMOS (L -> Z)                  |          |       | $V_{OL} - 0.15 \text{ V}$ | $V_{OH}$ |

Note: Output test conditions for all other interfaces are determined by the respective standards.

### Signal Descriptions

| Signal Name  |           | Function        | I/O        | Description  |
|--|-----------|-----------------|------------|--|
| <b>Power Supplies</b>  |           |                 |            |  |
| V <sub>CC</sub>  |           | Power           | —          | Core Power Supply  |
| V <sub>CCIO_0</sub> , SPI_V <sub>CCIO1</sub> , V <sub>CCIO_2</sub> |           | Power           | —          | Power for I/Os in Bank 0, 1, and 2.  |
| V <sub>PP_2V5</sub>  |           | Power           | —          | Power for NVCM programming and operations  |
| V <sub>CCPLL</sub>   |           | Power           | —          | Power for PLL.   |
| GND  |           | GROUND          | —          | Ground   |
| GND_LED  |           | GROUND          | —          | Ground for LED drivers. Should connect to GND on board.  |
| <b>Configuration</b>   |           | <b>Function</b> | <b>I/O</b> | <b>Description</b>   |
| Primary  | Secondary |                 |            |  |
| CRESETB  |           | Configuration   | I          | Configuration Reset, active LOW. No internal pull-up resistor. Either actively driven externally or connect an 10 k-Ohm pull-up to V <sub>CCIO_1</sub>   |
| PIOB_12a   | CDONE     | Configuration   | I/O        | Configuration Done. Includes a weak pull-up resistor to V <sub>CCIO_1</sub>  |
|  |           | General I/O     | I/O        | In user mode, after configuration, this pin can be programmed as general I/O in user function  |
| <b>Config SPI</b>  |           | <b>Function</b> | <b>I/O</b> | <b>Description</b>   |
| Primary  | Secondary |                 |            |  |
| PIOB_34a   | SPI_SCK   | Configuration   | I/O        | This pin is shared with device configuration. During configuration:<br>In Master SPI mode, this pint outputs the clock to external SPI memory.<br>In Slave SPI mode, this pin inputs the clock from external processor.                  |
|  |           | General I/O     | I/O        | In user mode, after configuration, this pin can be programmed as general I/O in user function  |
| PIOB_32a   | SPI_SDO   | Configuration   | Output     | This pin is shared with device configuration. During configuration:<br>In Master SPI mode, this pint outputs the command data to external SPI memory.<br>In Slave SPI mode, this pin connects to the MISO pin of the external processor. |
|  |           | General I/O     | I/O        | In user mode, after configuration, this pin can be programmed as general I/O in user function  |

|                       |           |                 |            |  |
|-----------------------|-----------|-----------------|------------|--|
| PIOB_33b              | SPI_SI    | Configuration   | Input      | This pin is shared with device configuration. During configuration:<br>In Master SPI mode, this pin receives data from external SPI memory.<br>In Slave SPI mode, this pin connects to the MOSI pin of the external processor. |
|                       |           | General I/O     | I/O        | In user mode, after configuration, this pin can be programmed as general I/O in user function  |
| PIOB_35b              | SPI_CSN   | Configuration   | I/O        | This pin is shared with device configuration. During configuration:<br>In Master SPI mode, this pin outputs to the external SPI memory.<br>In Slave SPI mode, this pin inputs CSN from the external processor.                 |
|                       |           | General I/O     | I/O        | In user mode, after configuration, this pin can be programmed as general I/O in user function  |
| <b>Global Signals</b> |           | <b>Function</b> | <b>I/O</b> | <b>Description</b>   |
| Primary               | Secondary |                 |            |  |
| PIOT_46b              | G0        | General I/O     | I/O        | In user mode, after configuration, this pin can be programmed as general I/O in user function  |
|                       |           | Global          | Input      | Global input used for high fanout, or clock/reset net. The G0 pin drives the GBUF0 global buffer   |
| PIOT_45a              | G1        | General I/O     | I/O        | In user mode, after configuration, this pin can be programmed as general I/O in user function  |
|                       |           | Global          | Input      | Global input used for high fanout, or clock/reset net. The G1 pin drives the GBUF1 global buffer   |
| PIOT_25b              | G3        | General I/O     | I/O        | In user mode, after configuration, this pin can be programmed as general I/O in user function  |
|                       |           | Global          | Input      | Global input used for high fanout, or clock/reset net. The G3 pin drives the GBUF3 global buffer   |
| PIOT_12a              | G4        | General I/O     | I/O        | In user mode, after configuration, this pin can be programmed as general I/O in user function  |
|                       |           | Global          | Input      | Global input used for high fanout, or clock/reset net. The G4 pin drives the GBUF4 global buffer   |
| PIOT_11b              | G5        | General I/O     | I/O        | In user mode, after configuration, this pin can be programmed as general I/O in user function  |
|                       |           | Global          | Input      | Global input used for high fanout, or clock/reset net. The G5 pin drives the GBUF5 global buffer   |
| PIOB_3b               | G6        | General I/O     | I/O        | In user mode, after configuration, this pin can be programmed as general I/O in user function  |
|                       |           | Global          | Input      | Global input used for high fanout, or clock/reset net. The G6 pin drives the GBUF6 global buffer   |
| <b>LED Signals</b>    |           | <b>Function</b> | <b>I/O</b> | <b>Description</b>   |

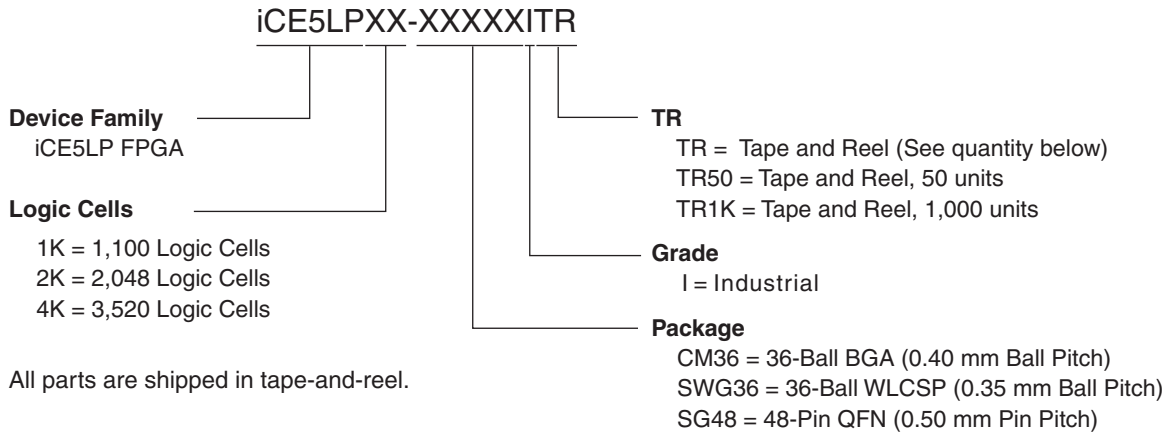


|         |  |             |                   |  |
|---------|--|-------------|-------------------|--|
| RGB0    |  | General I/O | Open-Drain I/O    | In user mode, with user's choice, this pin can be programmed as open drain I/O in user function                        |
|         |  | LED         | Open-Drain Output | In user mode, with user's choice, this pin can be programmed as open drain 24mA output to drive external LED           |
| RGB1    |  | General I/O | Open-Drain I/O    | In user mode, with user's choice, this pin can be programmed as open drain I/O in user function                        |
|         |  | LED         | Open-Drain Output | In user mode, with user's choice, this pin can be programmed as open drain 24mA output to drive external LED           |
| RGB2    |  | General I/O | Open-Drain I/O    | In user mode, with user's choice, this pin can be programmed as open drain I/O in user function                        |
|         |  | LED         | Open-Drain Output | In user mode, with user's choice, this pin can be programmed as open drain 24mA output to drive external LED           |
| IRLED   |  | General I/O | Open-Drain I/O    | In user mode, with user's choice, this pin can be programmed as open drain I/O in user function                        |
|         |  | LED         | Open-Drain Output | In user mode, with user's choice, this pin can be programmed as open drain 500mA output to drive external LED          |
| PIOT_xx |  | General I/O | I/O               | In user mode, with user's choice, this pin can be programmed as I/O in user function in the top (xx = I/O location)    |
| PIOB_xx |  | General I/O | I/O               | In user mode, with user's choice, this pin can be programmed as I/O in user function in the bottom (xx = I/O location) |

**Pin Information Summary**

| Pin Type                        |        | iCE5LP1K |       |      | iCE5LP2K |       |      | iCE5LP4K |       |      |
|---------------------------------|--------|----------|-------|------|----------|-------|------|----------|-------|------|
|                                 |        | CM36     | SWG36 | SG48 | CM36     | SWG36 | SG48 | CM36     | SWG36 | SG48 |
| General Purpose I/O<br>Per Bank | Bank 0 | 12       | 5     | 17   | 12       | 5     | 17   | 12       | 5     | 17   |
|                                 | Bank 1 | 4        | 15    | 14   | 4        | 15    | 14   | 4        | 15    | 14   |
|                                 | Bank 2 | 10       | 6     | 8    | 10       | 6     | 8    | 10       | 6     | 8    |
| Total General Purpose I/Os      |        | 26       | 26    | 39   | 26       | 26    | 39   | 26       | 26    | 39   |
| VCC                             |        | 1        | 1     | 2    | 1        | 1     | 2    | 1        | 1     | 2    |
| VCCIO                           | Bank 0 | 1        | 1     | 1    | 1        | 1     | 1    | 1        | 1     | 1    |
|                                 | Bank 1 | 1        | 1     | 1    | 1        | 1     | 1    | 1        | 1     | 1    |
|                                 | Bank 2 | 1        | 1     | 1    | 1        | 1     | 1    | 1        | 1     | 1    |
| VCCPLL                          |        | 1        | 1     | 1    | 1        | 1     | 1    | 1        | 1     | 1    |
| VCPP_2V5                        |        | 1        | 1     | 1    | 1        | 1     | 1    | 1        | 1     | 1    |
| Dedicated Config Pins           |        | 1        | 1     | 2    | 1        | 1     | 2    | 1        | 1     | 2    |
| GND                             |        | 2        | 2     | 0    | 2        | 2     | 0    | 2        | 2     | 0    |
| GND_LED                         |        | 1        | 1     | 0    | 1        | 1     | 0    | 1        | 1     | 0    |
| Total Balls                     |        | 36       | 36    | 48   | 36       | 36    | 48   | 36       | 36    | 48   |

### iCE5LP Part Number Description



### Tape and Reel Quantity

| Package | TR Quantity |
|---------|-------------|
| CM36    | 4,000       |
| SWG36   | 5,000       |
| SG48    | 2,000       |

## Ordering Part Numbers

### Industrial

| Part Number         | LUTs | Supply Voltage | Package            | Pins | Temp. |
|---------------------|------|----------------|--------------------|------|-------|
| iCE5LP1K-CM361TR    | 1100 | 1.2 V          | Halogen-Free BGA   | 36   | IND   |
| iCE5LP1K-CM361TR50  | 1100 | 1.2 V          | Halogen-Free BGA   | 36   | IND   |
| iCE5LP1K-CM361TR1K  | 1100 | 1.2 V          | Halogen-Free BGA   | 36   | IND   |
| iCE5LP1K-SWG361TR   | 1100 | 1.2 V          | Halogen-Free WLCSP | 36   | IND   |
| iCE5LP1K-SWG361TR50 | 1100 | 1.2 V          | Halogen-Free WLCSP | 36   | IND   |
| iCE5LP1K-SWG361TR1K | 1100 | 1.2 V          | Halogen-Free WLCSP | 36   | IND   |
| iCE5LP1K-SG481TR    | 1100 | 1.2 V          | Halogen-Free QFN   | 48   | IND   |
| iCE5LP1K-SG481TR50  | 1100 | 1.2 V          | Halogen-Free QFN   | 48   | IND   |
| iCE5LP2K-CM361TR    | 2048 | 1.2 V          | Halogen-Free BGA   | 36   | IND   |
| iCE5LP2K-CM361TR50  | 2048 | 1.2 V          | Halogen-Free BGA   | 36   | IND   |
| iCE5LP2K-CM361TR1K  | 2048 | 1.2 V          | Halogen-Free BGA   | 36   | IND   |
| iCE5LP2K-SWG361TR   | 2048 | 1.2 V          | Halogen-Free WLCSP | 36   | IND   |
| iCE5LP2K-SWG361TR50 | 2048 | 1.2 V          | Halogen-Free WLCSP | 36   | IND   |
| iCE5LP2K-SWG361TR1K | 2048 | 1.2 V          | Halogen-Free WLCSP | 36   | IND   |
| iCE5LP2K-SG481TR    | 2048 | 1.2 V          | Halogen-Free QFN   | 48   | IND   |
| iCE5LP2K-SG481TR50  | 2048 | 1.2 V          | Halogen-Free QFN   | 48   | IND   |
| iCE5LP4K-CM361TR    | 3520 | 1.2 V          | Halogen-Free BGA   | 36   | IND   |
| iCE5LP4K-CM361TR50  | 3520 | 1.2 V          | Halogen-Free BGA   | 36   | IND   |
| iCE5LP4K-CM361TR1K  | 3520 | 1.2 V          | Halogen-Free BGA   | 36   | IND   |
| iCE5LP4K-SWG361TR   | 3520 | 1.2 V          | Halogen-Free WLCSP | 36   | IND   |
| iCE5LP4K-SWG361TR50 | 3520 | 1.2 V          | Halogen-Free WLCSP | 36   | IND   |
| iCE5LP4K-SWG361TR1K | 3520 | 1.2 V          | Halogen-Free WLCSP | 36   | IND   |
| iCE5LP4K-SG481TR    | 3520 | 1.2 V          | Halogen-Free QFN   | 48   | IND   |
| iCE5LP4K-SG481TR50  | 3520 | 1.2 V          | Halogen-Free QFN   | 48   | IND   |

## For Further Information

A variety of technical notes for the iCE40 Ultra family are available on the Lattice web site.

- [TN1248, iCE40 Programming and Configuration](#)
- [TN1274, iCE40 SPI/I2C Hardened IP Usage Guide](#)
- [TN1276, Advanced iCE40 SPI/I2C Hardened IP Usage Guide](#)
- [TN1250, Memory Usage Guide for iCE40 Devices](#)
- [TN1251, iCE40 sysCLOCK PLL Design and Usage Guide](#)
- [TN1252, iCE40 Hardware Checklist](#)
- [TN1288, iCE40 LED Driver Usage Guide](#)
- [TN1295, DSP Function Usage Guide for iCE40 Devices](#)
- [TN1296, iCE40 Oscillator Usage Guide](#)
- [iCE40 Ultra Pinout Files](#)
- [iCE40 Ultra Pin Migration Files](#)
- [Thermal Management](#) document
- [Lattice design tools](#)
- [Schematic Symbols](#)

| Date                 | Version  | Section                          | Change Summary   |
|----------------------|--|----------------------------------|--|
| June 2015            | 1.8  | DC and Switching Characteristics | Updated <a href="#">Internal Oscillators (HFOSC, LFOSC)</a> section. Removed decimals.   |
|                      |  | Ordering Information             | Updated <a href="#">iCE5LP Part Number Description</a> section.<br>— Added TR items.<br>— Corrected formatting errors.   |
|                      |  |                                  | Updated <a href="#">Ordering Part Numbers</a> section. Updated CM36 and SG48 packages.   |
| April 2015           | 1.7  | Architecture                     | Updated sysDSP section. Revised the following figures:<br>— Figure 2-5, sysDSP Functional Block Diagram (16-bit x 16-bit Multiply-Accumulate)<br>— Figure 2-6, sysDSP 8-bit x 8-bit Multiplier<br>— Figure 2-7, DSP 16-bit x 16-bit Multiplier   |
|                      |  | Ordering Information             | Updated iCE5LP Part Number Description section. Added TR items.  |
|                      |  |                                  | Updated Ordering Part Numbers section. Added CM36, SW36 and SG48 part numbers.   |
| March 2015           | 1.6  | Introduction                     | Updated Features section.<br>— Added BGA and QFN packages in Flexible Logic Architecture.<br>— Added USB 3.1 Type C Cable Detect / Power Delivery Applications in Applications.<br>— Updated Table 1-1, iCE40 Ultra Family Selection Guide. Added 36-ball ucbGA and 48-ball QFN packages. Changed subheading to Total User I/O Count. Changed RBW IP to PWM IP. Deleted footnotes. |
|                      |  | DC and Switching Characteristics | Updated Power-up Sequence section. Indicated all devices in second paragraph.  |
|                      |  |                                  | Updated sysIO Single-Ended DC Electrical Characteristics section. Changed LVCMOS 3.3 and LVCMOS 2.5 V <sub>OH</sub> Min. (V) from 0.5 to 0.4.  |
|                      |  |                                  | Replaced the Differential Comparator Electrical Characteristics table.   |
|                      |  | Pinout Information               | Updated Pin Information Summary section.<br>— Added CM36 and SG48 values.<br>— Changed CRESET_B to Dedicated Config Pins.  |
| Ordering Information | Updated iCE5LP Part Number Description section.<br>— Added CM36 and SG48 package.<br>— Added TR items. |                                  |  |
|                      | Updated Ordering Part Numbers section. Added CM36, SW36 and SG48 part numbers.                         |                                  |  |
| October 2014         | 1.5  | Introduction                     | Updated Features section.<br>— Removed 26 I/O pins for 36-pin WLCSP under Flexible Logic Architecture.<br>— Changed form factor to 2.078 mm x 2.078 mm.<br>— Updated Table 1-1, iCE40 Ultra Family Selection Guide. Removed 20-Ball WLCSP.   |
|                      |  |                                  | Updated Introduction section.<br>Changed form factor to 2.078 mm x 2.078 mm.   |
|                      |  | Architecture                     | Updated sysCLOCK Phase Locked Loops (PLLs) section. Removed note in heading regarding sysCLOCK PLL support.  |
|                      |  | DC and Switching Characteristics | Updated Recommended Operating Conditions section. Removed footnote on sysCLOCK PLL support.  |

| Date        | Version | Section   | Change Summary  |
|-------------|---------|---|---|
|             |         |   | Updated Power-up Sequence section. Removed information on 20-pin WLCSP.   |
|             |         | Pinout Information  | Updated Signal Descriptions section. Removed references 20-pin WLCSP.   |
|             |         |   | Updated Pin Information Summary section. Removed references to UWG20 values.  |
|             |         | Ordering Information  | Updated iCE5LP Part Number Description section. Removed 20-ball WLCSP.  |
|             |         |   | Updated Ordering Part Numbers section. Removed UWG20 part numbers.  |
|             |         | Further Information   | Added technical note references.  |
| August 2014 | 1.4     | All   | Removed Preliminary document status.  |
|             |         | Introduction  | <p>Updated General Description section. Added information on high current driver.</p> <p>Updated Features section.</p> <ul style="list-style-type: none"> <li>— Changed standby current typical to as low as 71 <math>\mu</math>A.</li> <li>— Changed feature to Embedded Memory.</li> <li>— Updated Table 1-1, iCE40 Ultra Family Selection Guide. Added NVCM and Embedded PWM IP rows. Added (MULT16 with 32-bit Accumulator) to DSP Block. Added Total I/O (Dedicated I/O) Count data.</li> </ul> <p>General update to Introduction section.</p> |
|             |         | Architecture  | <p>Updated Architecture Overview section.</p> <ul style="list-style-type: none"> <li>— Revised and added information on sysIO banks.</li> <li>— Updated reference for embedded PWM IP.</li> </ul> <p>Updated iCE40 Ultra Programming and Configuration section.</p> <ul style="list-style-type: none"> <li>— Changed SPI1 to SPI.</li> <li>— Changed VCCIO_1 to SPI_VCCIO1.</li> </ul>  |
|             |         | DC and Switching Characteristics  | Updated Absolute Maximum Ratings section. Changed PLL Supply Voltage VCCPLL value.  |
|             |         |   | Updated Recommended Operating Conditions section. Added footnote to VCCPLL.   |
|             |         |   | Updated Power-up Sequence section. General update.  |
|             |         |   | Updated Power-On-Reset Voltage Levels section. Changed the $V_{PORUP} V_{CC} \text{ Max.}$ value.   |
|             |         |   | Updated DC Electrical Characteristics section. Added $C_3$ and $C_4$ information.   |
|             |         |   | Updated Supply Current section.   |
|             |         |   | <ul style="list-style-type: none"> <li>— Completed Typ. <math>V_{CC} = 1.2 \text{ V}_4</math> data.</li> <li>— Changed symbols to <math>I_{SPI\_VCCIO1STDBY}</math> and <math>I_{SPI\_VCCIO1PEAK}</math>.</li> <li>— Added information to footnote 3.</li> </ul>  |
|             |         |   | Updated Internal Oscillators (HFOSC, LFOSC) section. General update.  |
|             |         |   | Updated iCE40 Ultra External Switching Characteristics section. Added Max. value for $t_{COPLL}$ . Added Min. values for $t_{SUPLL}$ and $t_{HPLL}$ .   |
|             |         |   | Updated sysCLOCK PLL Timing section. Added Max. value for $t_{OPJIT}$ .   |
|             |         | Updated sysCONFIG Port Timing Specifications section.   |   |
|             |         | <ul style="list-style-type: none"> <li>— Added <math>T_{SU}</math> and <math>T_{HD}</math> information.</li> <li>— Added footnote 3 to Master SPI.</li> </ul> |   |
|             |         | Updated High Current LED and IR LED Drive section. Updated Min. value.  |   |

| Date   | Version                               | Section  | Change Summary  |
|--|---------------------------------------|--|---|
| July 2014  | 1.3                                   | All  | Changed document status from Advance to Preliminary.  |
|  |                                       | Introduction   | Updated Features section. Adjusted Ultra-low Power Devices standby current.   |
|  |                                       | DC and Switching Characteristics                             | Updated AC/DC specifications numbers.   |
| June 2014  | 1.2                                   | All  | Product name changed to iCE40 Ultra.  |
|  |                                       | Introduction   | Updated Table 1-1, iCE40 Ultra Family Selection Guide. Removed 30-ball WLCSP.   |
|  |                                       | DC and Switching Characteristics                             | Updated values in the following sections:<br>— Supply Current<br>— Internal Oscillators (HFOSC, LFOSC)<br>— Power Supply Ramp Rates<br>— Power-On-Reset Voltage Levels<br>— SPI Master or NVCM Configuration Time |
|  |                                       |  | Indicated TBD for values to be determined.  |
|  |                                       | Pinout Information   | Updated Signal Descriptions section. Removed 30-pin WLCSP.  |
|  |                                       |  | Updated Pin Information Summary section. Removed SWG30 values.  |
|  |                                       | Ordering Information   | Updated iCE5LP Part Number Description section. Removed 30-ball WLCSP.  |
| Updated Ordering Part Numbers section. Removed SWG30 and UWG30 part numbers. |                                       |  |   |
| May 2014   | 01.1                                  | Introduction   | Updated General Description, Features, and Introduction sections. Removed hardened RGB PWM IP information.  |
|  |                                       | Architecture   | Updated Architecture Overview section. Removed the RGB IP block in Figure 2-1, iCE5LP-4K Device, Top View, Figure 2-8, I/O Bank and Programmable I/O, and in the text content.                                    |
|  |                                       |  | Updated High Current Drive I/O Pins section. Removed hardened RGB PWM IP information.   |
|  |                                       |  | Updated Power On Reset section. Removed content on Vccio_2 power down option.   |
|  |                                       | Replaced RGB PWM Block section with Embedded PWM IP section. |   |
| DC and Switching Characteristics   | Removed RGB PWM Block Timing section. |  |   |
| April 2014   | 01.0                                  | All  | Initial release.  |



Компания «Океан Электроники» предлагает заключение долгосрочных отношений при поставках импортных электронных компонентов на взаимовыгодных условиях!

Наши преимущества:

- Поставка оригинальных импортных электронных компонентов напрямую с производств Америки, Европы и Азии, а так же с крупнейших складов мира;
- Широкая линейка поставок активных и пассивных импортных электронных компонентов (более 30 млн. наименований);
- Поставка сложных, дефицитных, либо снятых с производства позиций;
- Оперативные сроки поставки под заказ (от 5 рабочих дней);
- Экспресс доставка в любую точку России;
- Помощь Конструкторского Отдела и консультации квалифицированных инженеров;
- Техническая поддержка проекта, помощь в подборе аналогов, поставка прототипов;
- Поставка электронных компонентов под контролем ВП;
- Система менеджмента качества сертифицирована по Международному стандарту ISO 9001;
- При необходимости вся продукция военного и аэрокосмического назначения проходит испытания и сертификацию в лаборатории (по согласованию с заказчиком);
- Поставка специализированных компонентов военного и аэрокосмического уровня качества (Xilinx, Altera, Analog Devices, Intersil, Interpoint, Microsemi, Actel, Aeroflex, Peregrine, VPT, Syfer, Eurofarad, Texas Instruments, MS Kennedy, Miteq, Cobham, E2V, MA-COM, Hittite, Mini-Circuits, General Dynamics и др.);

Компания «Океан Электроники» является официальным дистрибьютором и эксклюзивным представителем в России одного из крупнейших производителей разъемов военного и аэрокосмического назначения «JONHON», а так же официальным дистрибьютором и эксклюзивным представителем в России производителя высокотехнологичных и надежных решений для передачи СВЧ сигналов «FORSTAR».



## JONHON

«JONHON» (основан в 1970 г.)

Разъемы специального, военного и аэрокосмического назначения:

(Применяются в военной, авиационной, аэрокосмической, морской, железнодорожной, горно- и нефтедобывающей отраслях промышленности)

«FORSTAR» (основан в 1998 г.)

ВЧ соединители, коаксиальные кабели, кабельные сборки и микроволновые компоненты:

(Применяются в телекоммуникациях гражданского и специального назначения, в средствах связи, РЛС, а так же военной, авиационной и аэрокосмической отраслях промышленности).



Телефон: 8 (812) 309-75-97 (многоканальный)

Факс: 8 (812) 320-03-32

Электронная почта: [ocean@oceanchips.ru](mailto:ocean@oceanchips.ru)

Web: <http://oceanchips.ru/>

Адрес: 198099, г. Санкт-Петербург, ул. Калинина, д. 2, корп. 4, лит. А