

PSR-SCP- 24DC/URD3/4X1/2X2/3 PSR-SPP- 24DC/URD3/4X1/2X2/3

Safety Relay as a Contact Extension Block With Off-Delay Contacts



INTERFACE

Data Sheet
102862_04_en

© PHOENIX CONTACT - 09/2007

Description

The **PSR-...- 24DC/URD3/4X1/2X2/3** safety relay can be used as a contact extension block in safety circuits according to DIN EN 60204-1/VDE 0113-1.

The device has an interface for the T-BUS DIN rail connector. This interface can be used for single-channel control and monitoring. Alternatively, the device can also be operated in single-channel mode via a contact on the basic device.

Depending on the external wiring, up to safety category 3 according to EN 954-1 can be achieved.

The relay has four enabling current paths, one signaling current path, and one confirmation path. Depending on the time set, the contacts drop with a 0.3 ... 3 second delay according to stop category 1 (DIN EN 60204-1/VDE 0113-1).

The extension unit can be used as a contact multiplier for emergency stop relays and two-hand controls.

Features

- Contact extension block
- Safety category 3 according to EN 954-1
- Plug-in screw or spring-cage connection terminal blocks
- Single-channel wiring
- Safe isolation
- Housing width 22.5 mm
- Four enable contacts, one alarm contact, and one confirmation contact



Observe the safety instructions on page 4.



Make sure you always use the latest documentation.
It can be downloaded at www.download.phoenixcontact.com.
A conversion table is available on the Internet at
www.download.phoenixcontact.com/general/7000_en_00.pdf.



This data sheet is valid for all products listed on the following page:

Ordering Data

Safety Relay

Description	Type	Order No.	Pcs./Pck.
Safety relay as a contact extension block with off-delay contacts, with screw connection	PSR-SCP- 24DC/URD3/4X1/2X2/3	2981732	1
Safety relay as a contact extension block with off-delay contacts, with spring-cage connection	PSR-SPP- 24DC/URD3/4X1/2X2/3	2981745	1

Accessories

Description	Type	Order No.	Pcs./Pck.
DIN rail connector, yellow, for PSR applications	PSR-TBUS	2890425	50
Terminating connector	PSR-TBUS-TP	2981716	50

Documentation

Description	Type	Order No.	Pcs./Pck.
Application manual for PSR safety relays	UM EN SAFETY RELAY APPLICATION	2888712	1

Technical Data

Input Data

Nominal input voltage U_N	24 V DC
Permissible range	0.85 - 1.1 x U_N
Typical current consumption at U_N	94 mA
Typical response time (K1, K2)	20 ms
Release time (K1, K2)	0.3 ... 3 seconds +50%
Recovery time	1 s, approximately
Surge protection	Suppressor diode
Status indicators (K1, K2, Power)	Green LED

Output Data

Contact type: Positively driven contact assembly Class A according to EN 50205	4 enabling current paths, 1 signaling current path, 1 confirmation path	
Contact material	Silver tin oxide (AgSnO ₂)	
Maximum switching voltage	250 V AC/DC	
Minimum switching voltage	15 V AC/DC	
Limiting continuous current		
N/O contact	6 A	
N/C contact (65-66)	3 A	
$I_{TH}^2 = I_1^2 + I_2^2 + \dots + I_N^2$	50 A ²	
Maximum inrush current		
N/O contact	6 A	
N/C contact (65-66)	3 A	
Minimum switching current	25 mA	
Maximum shutdown power	Ohmic load $\tau = 0$ ms Inductive load $\tau = 40$ ms	
	24 V DC	144 W (72 W) ¹ 48 W
	48 V DC	288 W (144 W) ¹ 40 W
	110 V DC	77 W 35 W
	220 V DC	88 W 33 W
	250 V AC	1500 VA (750 VA) ¹
Minimum switching power	0.4 W	

Output Data (Continued)

Mechanical service life	10 ⁷ cycles, approximately			
Switching capacity according to DIN EN 60947-5-1/VDE 0660-200	Cycles		DC13	AC15
	3600/h:	24 V DC	3 A	–
		230 V AC	–	3 A
	360/h:	24 V/6 A		
230 V/5 A				

Short-circuit protection of the output circuits, external

Enabling current paths

NEOZED 10 A gL/gG

Signaling current path

NEOZED 4 A gL/gG

¹ The maximum values given in brackets apply to N/C contacts 65-66.**General Data**

Permissible ambient operating temperature	-20°C ... +55°C
Nominal operating mode	100% operating factor
Degree of protection according to VDE 0470-1	
Housing	IP20
Connection terminal blocks	IP20
Installation location	IP54, minimum
Mounting position	Any
Air and creepage distances between the circuits	
Basic insulation ¹	According to DIN EN 50178:1998-04
Impulse voltage withstand level	4 kV
Pollution degree	2
Surge voltage category	III
Dimensions (W x H x D)	
Screw connection	22.5 mm x 114.5 mm x 99 mm
Spring-cage connection	22.5 mm x 114.5 mm x 112 mm
Conductor cross-section	
Screw connection	0.2 mm ² ... 2.5 mm ²
Spring-cage connection	0.2 mm ² ... 1.5 mm ²
Stripping length	
Screw connection	7 mm
Spring-cage connection	8 mm
Housing material	Polyamide PA, not reinforced

¹ Safe isolation, reinforced insulation, and 6 kV between the input circuit/N/C contacts and the enable contact current paths.**Tests/Approvals**

BG/TÜV



UL/CUL



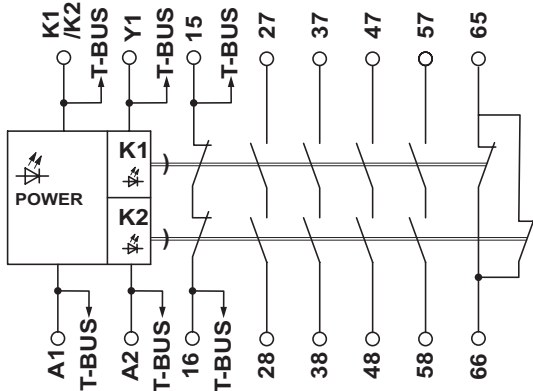
Block Diagram

Figure 1 Block diagram

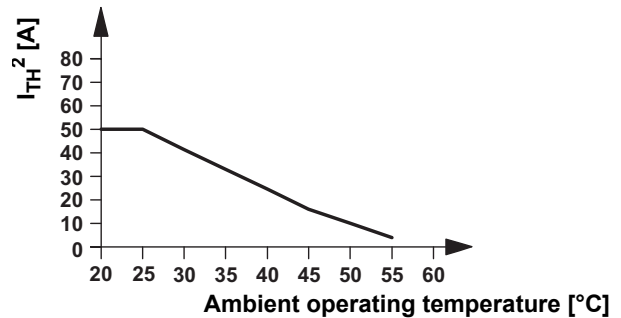
Derating Curve

Figure 2 Derating curve

Safety Instructions

- During operation, parts of electrical switching devices carry hazardous voltages.
- Before working on the device, disconnect the power.
- Please observe the safety regulations of electrical engineering and industrial safety and liability associations. Disregarding these safety regulations may result in death, serious personal injury or damage to equipment.
- Startup, assembly, modifications, and upgrades may only be carried out by a skilled electrical engineer.



- For emergency stop applications, the machine must be prevented from restarting automatically by a higher-level control system.
- Protective covers must not be removed when operating electrical switching devices.

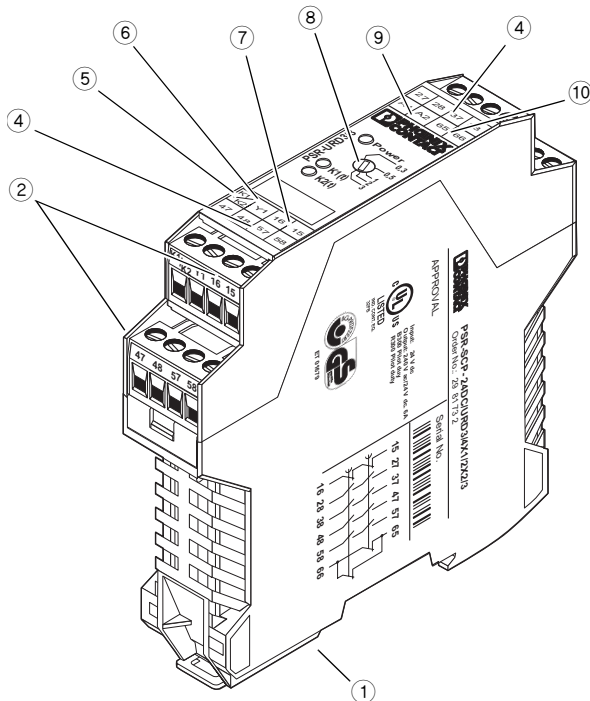


- In the event of an error, replace the device immediately.
- Repairs, especially if the housing must be opened, may only be carried out by the manufacturer or authorized persons. Otherwise the warranty is invalidated.

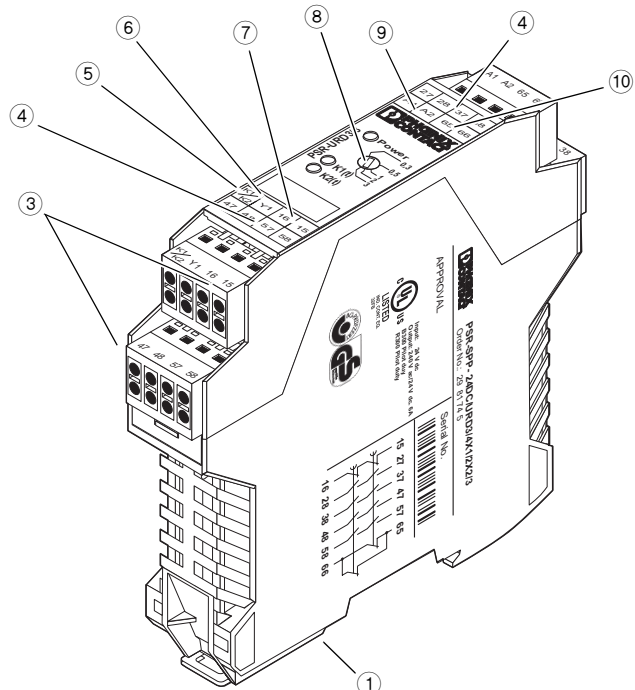


When operating relay modules, the operator must meet the requirements for noise emission for electrical and electronic equipment (EN 61000-6-4) on the contact side and, if required, take appropriate measures.

Structure



PSR-SCP- 24DC/URD3/4X1/2X2/3



PSR-SPP- 24DC/URD3/4X1/2X2/3

Figure 3 Structure

- 1 Metal lock for mounting on the DIN rail
- 2 COMBICON plug-in screw terminal blocks
- 3 COMBICON plug-in spring-cage terminal blocks
- 4 27-28, 37-38, 47-48, and 57-58: Enabling current paths
- 5 K1, K2: Input

- 6 Y1: Connection to the DIN rail connector
- 7 15-16: Confirmation contacts
- 8 Off delay setting
- 9 A1, A2: Supply voltage connection
- 10 65-66: Alarm contacts

Function

When the 24 V DC operating voltage is applied at terminal blocks A1-A2 or is led via the DIN rail connector, the "Power" LED lights up.

When a 24 V DC voltage is applied at input K1-K2 (or via the DIN rail connector), both relays are activated. The LEDs light up and the contacts for enabling current paths 27-28, 37-38, 47-48, and 57-58 close. Alarm contacts 15-16 and 65-66 open.

If the voltage is switched off at input K1-K2, the enable contacts open and the alarm contacts close after the set time has elapsed.

For additional connection examples, see page 7.

Connection Notes



- Before working on the device, disconnect the power.
- Check the set time following installation.
- For PSR applications, only yellow PSR-TBUS connectors (Order No. 2890425) may be used. Connection with another T-BUS is not permitted.
- Devices may only be mounted on/removed from the T-BUS when the power is switched off.
- A T-BUS unit can contain a basic device (PSR-...-SDC...) and a maximum of 10 extension units (PSR-...-UR...). Extension units must be mounted to the right of the basic device.
- The feedback circuit must be closed at the last extension unit (on the right): jumper at Y1 and 12 or PSR-TBUS-TP dummy plug (Order No. 2981716).
- The voltage supply can be provided at any PSR device or using a system power supply unit via the T-BUS.

When using T-BUS DIN rail connectors, connect together the required number of T-BUS connectors and push them onto the DIN rail. When attaching the safety relay to the DIN rail, ensure that it is aligned correctly with the T-BUS connector (see Figure 4).

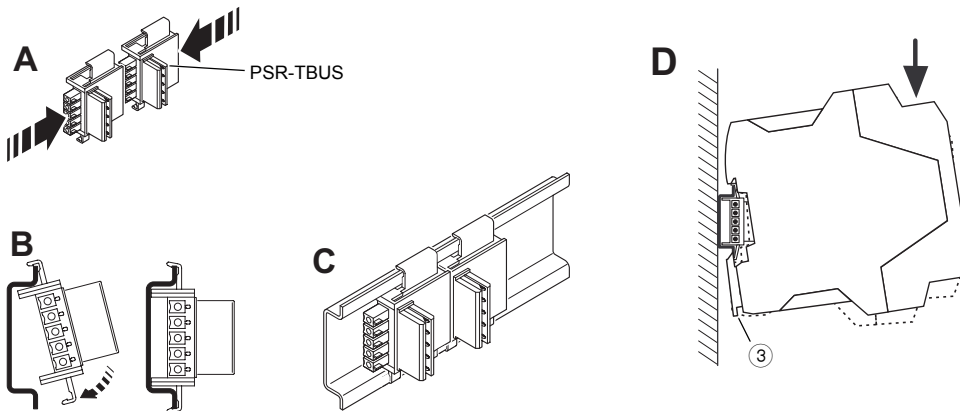


Figure 4 Using the T-BUS DIN rail connector

In order to comply with UL approval, use copper cables that are designed for operating temperatures > 75°C.

For reliable and safe-to-touch contacts, strip the cable ends as follows:

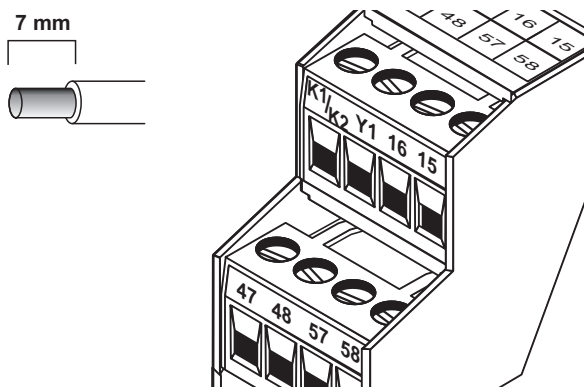


Figure 5 PSR-SCP- 24DC/URD3/4X1/2X2/3

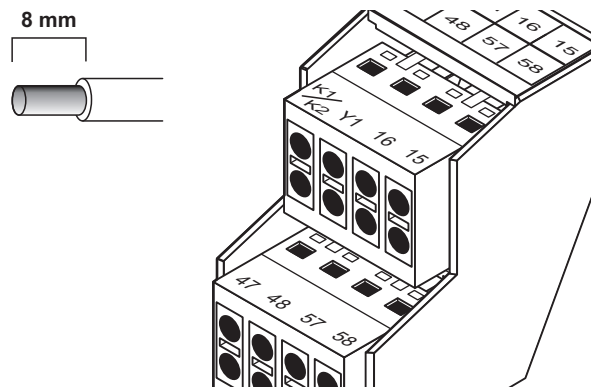


Figure 6 PSR-SPP- 24DC/URD3/4X1/2X2/3

Connection Example

Single-Channel Connection With Confirmation Path 15-16 Integrated in the Basic Device,
Suitable for up to Safety Category 3

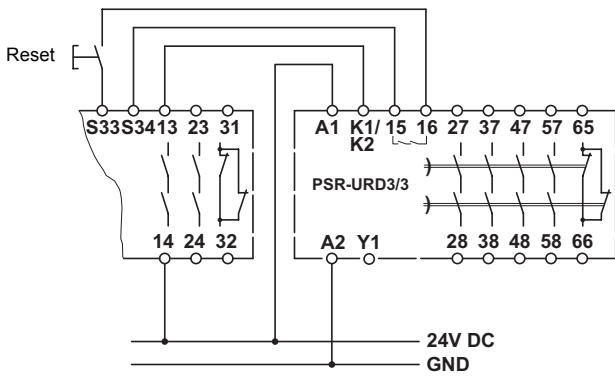


Figure 7 Wiring via connection terminal blocks

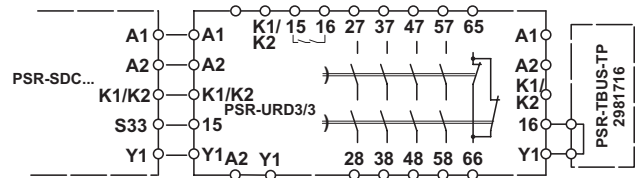


Figure 8 Wiring via T-BUS DIN rail connector

© PHOENIX CONTACT 09/2007

Компания «Океан Электроники» предлагает заключение долгосрочных отношений при поставках импортных электронных компонентов на взаимовыгодных условиях!

Наши преимущества:

- Поставка оригинальных импортных электронных компонентов напрямую с производств Америки, Европы и Азии, а так же с крупнейших складов мира;
- Широкая линейка поставок активных и пассивных импортных электронных компонентов (более 30 млн. наименований);
- Поставка сложных, дефицитных, либо снятых с производства позиций;
- Оперативные сроки поставки под заказ (от 5 рабочих дней);
- Экспресс доставка в любую точку России;
- Помощь Конструкторского Отдела и консультации квалифицированных инженеров;
- Техническая поддержка проекта, помощь в подборе аналогов, поставка прототипов;
- Поставка электронных компонентов под контролем ВП;
- Система менеджмента качества сертифицирована по Международному стандарту ISO 9001;
- При необходимости вся продукция военного и аэрокосмического назначения проходит испытания и сертификацию в лаборатории (по согласованию с заказчиком);
- Поставка специализированных компонентов военного и аэрокосмического уровня качества (Xilinx, Altera, Analog Devices, Intersil, Interpoint, Microsemi, Actel, Aeroflex, Peregrine, VPT, Syfer, Eurofarad, Texas Instruments, MS Kennedy, Miteq, Cobham, E2V, MA-COM, Hittite, Mini-Circuits, General Dynamics и др.);

Компания «Океан Электроники» является официальным дистрибьютором и эксклюзивным представителем в России одного из крупнейших производителей разъемов военного и аэрокосмического назначения «JONHON», а так же официальным дистрибьютором и эксклюзивным представителем в России производителя высокотехнологичных и надежных решений для передачи СВЧ сигналов «FORSTAR».



JONHON

«JONHON» (основан в 1970 г.)

Разъемы специального, военного и аэрокосмического назначения:

(Применяются в военной, авиационной, аэрокосмической, морской, железнодорожной, горно- и нефтедобывающей отраслях промышленности)

«FORSTAR» (основан в 1998 г.)

ВЧ соединители, коаксиальные кабели,
кабельные сборки и микроволновые компоненты:

(Применяются в телекоммуникациях гражданского и специального назначения, в средствах связи, РЛС, а так же военной, авиационной и аэрокосмической отраслях промышленности).



Телефон: 8 (812) 309-75-97 (многоканальный)

Факс: 8 (812) 320-03-32

Электронная почта: ocean@oceanchips.ru

Web: <http://oceanchips.ru/>

Адрес: 198099, г. Санкт-Петербург, ул. Калинина, д. 2, корп. 4, лит. А