

NON - ENVIRONMENTAL BACKSHELL



Amphenol Non Environmental Backshell is an effective cable holding mechanism with good strain relief when the environmental protection of the cable termination area is not a concern. Amphenol offers cost effective solutions by eliminating extra sealing parts.

This type of Backshell is suitable for an inside the box/climate controlled room application where heavy cabling should be supported with adequate strain relief.

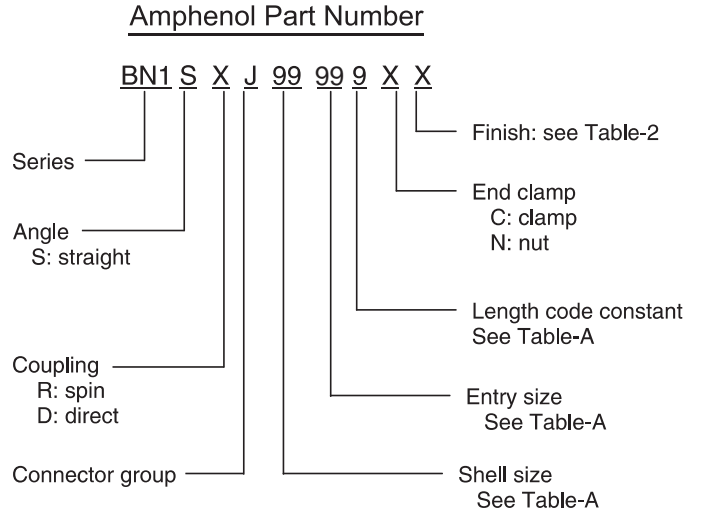
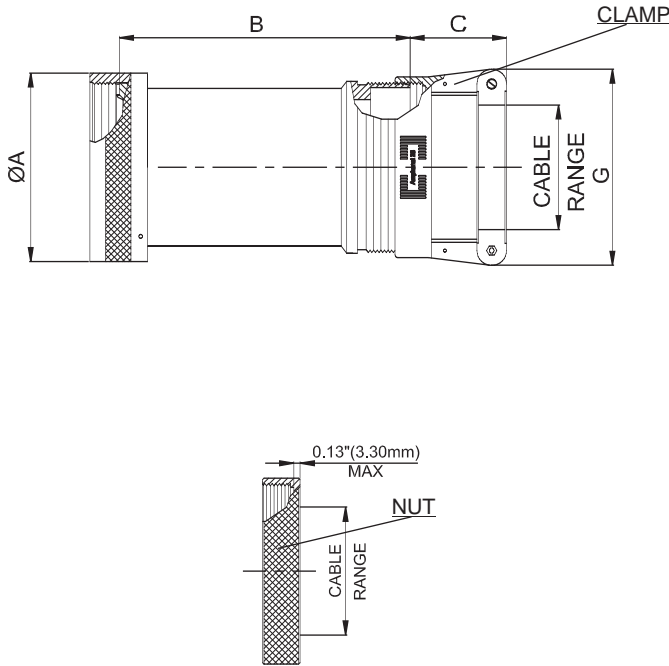
For Connector Group		Page No.
J	→	I-1 - I-6
K	→	I-7 - I-11
L	→	I-12 - I-16
M	→	I-17 - I-21
N	→	I-22 - I-26

Note: For Connector group Identification refer Table 1 - A, B, C, D (Page 7-11) and for Material / Plating Finish, Refer Table-2 (Page 12)



Connector Group - J

Straight



NOTE: * For more cable entry and length options, contact factory

AMPHENOL PART NUMBER DESIGNATOR			CONNECTOR SHELL SIZE	TABLE - A											
SHELL SIZE	ENTRY SIZE	LENGTH		A DIA. (MAX)		B (MAX)		C (REF)		G (MAX)		CABLE RANGE			
				INCH	MM	INCH	MM	INCH	MM	INCH	MM	MIN		MAX	
											INCH	MM	INCH	MM	
08	01	1	8	0.62	15.67	2.13	54.10	1.03	26.09	0.96	24.31	0.13	3.18	0.25	6.35
		2		0.62	15.67	3.13	79.50	1.03	26.09	0.96	24.31	0.13	3.18	0.25	6.35
	02	1		0.62	15.67	2.88	73.15	1.03	26.09	1.15	29.08	0.25	6.35	0.44	11.10
		2		0.62	15.67	3.88	98.55	1.03	26.09	1.15	29.08	0.25	6.35	0.44	11.10
10	01	1	10	0.73	18.64	2.13	54.10	1.03	26.09	0.96	24.31	0.13	3.18	0.31	7.92
		2		0.73	18.64	3.13	79.50	1.03	26.09	0.96	24.31	0.13	3.18	0.31	7.92
	02	1		0.73	18.64	2.88	73.15	1.03	26.09	1.15	29.08	0.25	6.35	0.44	11.10
		2		0.73	18.64	3.88	98.55	1.03	26.09	1.15	29.08	0.25	6.35	0.44	11.10
	03	1		0.73	18.64	2.13	54.10	1.03	26.09	1.15	29.08	0.25	6.35	0.38	9.53
		2		0.73	18.64	3.13	79.50	1.03	26.09	1.15	29.08	0.25	6.35	0.38	9.53
12	01	1	7/12	0.86	21.79	2.13	54.10	1.03	26.09	1.15	29.08	0.25	6.35	0.44	11.10
		2		0.86	21.79	3.13	79.50	1.03	26.09	1.15	29.08	0.25	6.35	0.44	11.10
	02	1		0.86	21.79	2.88	73.15	1.03	26.09	1.33	33.83	0.35	8.89	0.63	15.88
		2		0.86	21.79	3.88	98.55	1.03	26.09	1.33	33.83	0.35	8.89	0.63	15.88
	03	1		0.86	21.79	2.13	54.10	1.03	26.09	1.33	33.83	0.35	8.89	0.50	12.70
		2		0.86	21.79	3.13	79.50	1.03	26.09	0.96	24.31	0.13	3.18	0.31	7.92
	04	1		0.86	21.79	2.13	54.10	1.03	26.09	0.96	24.31	0.13	3.18	0.31	7.92
		2		0.86	21.79	3.13	79.50	1.03	26.09	0.96	24.31	0.13	3.18	0.31	7.92
	05	1		0.86	21.79	2.13	54.10	1.03	26.09	1.33	33.83	0.35	8.89	0.50	12.70
		2		0.86	21.79	3.13	79.50	1.03	26.09	1.33	33.83	0.35	8.89	0.50	12.70

Table Continued

Connector Group - J

Straight

AMPHENOL PART NUMBER DESIGNATOR			CONNECTOR SHELL SIZE	TABLE - A													
SHELL SIZE	ENTRY SIZE	LENGTH		A DIA. (MAX)		B (MAX)		C (REF)		G (MAX)		CABLE RANGE					
				INCH	MM	INCH	MM	INCH	MM	INCH	MM	MIN		MAX			
												INCH	MM	INCH	MM		
14	01	1	12/14	0.98	24.99	2.13	54.10	1.03	26.09	1.33	33.83	0.35	8.89	0.58	14.61		
		2		0.98	24.99	3.13	79.50	1.03	26.09	1.33	33.83	0.35	8.89	0.58	14.61		
	02	1		0.98	24.99	2.88	73.15	1.06	26.90	1.55	39.40	0.50	12.70	0.75	19.05		
		2		0.98	24.99	3.88	98.55	1.06	26.90	1.55	39.40	0.50	12.70	0.75	19.05		
	03	1		0.98	24.99	2.13	54.10	1.03	26.09	1.15	29.08	0.25	6.35	0.44	11.10		
		2		0.98	24.99	3.13	79.50	1.03	26.09	1.15	29.08	0.25	6.35	0.44	11.10		
	04	1		0.98	24.99	2.13	54.10	1.03	26.09	0.96	24.31	0.13	3.18	0.31	7.92		
		2		0.98	24.99	3.13	79.50	1.03	26.09	0.96	24.31	0.13	3.18	0.31	7.92		
	16	01		1	19/16	1.11	28.24	2.13	54.10	1.06	26.90	1.55	39.40	0.50	12.70	0.70	17.78
				2		1.11	28.24	3.13	79.50	1.06	26.90	1.55	39.40	0.50	12.70	0.70	17.78
02		1	1.11	28.24		2.88	73.15	1.16	29.36	1.77	44.96	0.63	15.88	0.94	23.80		
		2	1.11	28.24		3.88	98.55	1.16	29.36	1.77	44.96	0.63	15.88	0.94	23.80		
03		1	1.11	28.24		2.13	54.10	1.03	26.09	1.15	29.08	0.25	6.35	0.44	11.10		
		2	1.11	28.24		3.13	79.50	1.03	26.09	1.15	29.08	0.25	6.35	0.44	11.10		
04		1	1.11	28.24		2.13	54.10	1.03	26.09	1.33	33.83	0.35	8.89	0.63	15.88		
		2	1.11	28.24		3.13	79.50	1.03	26.09	1.33	33.83	0.35	8.89	0.63	15.88		
05		1	1.11	28.24		2.13	54.10	1.03	26.09	0.96	24.31	0.13	3.18	0.31	7.92		
		2	1.11	28.24		3.13	79.50	1.03	26.09	0.96	24.31	0.13	3.18	0.31	7.92		
18	01	1	27/18	1.22	30.94	2.13	54.10	1.03	26.09	1.33	33.83	0.35	8.89	0.63	15.88		
		2		1.22	30.94	3.13	79.50	1.03	26.09	1.33	33.83	0.35	8.89	0.63	15.88		
	02	1		1.22	30.94	2.13	54.10	1.06	26.90	1.55	39.40	0.50	12.70	0.75	19.05		
		2		1.22	30.94	3.13	79.50	1.06	26.90	1.55	39.40	0.50	12.70	0.75	19.05		
	03	1		1.22	30.94	2.88	73.15	1.16	29.36	1.77	44.96	0.63	15.88	0.94	23.80		
		2		1.22	30.94	3.88	98.55	1.16	29.36	1.77	44.96	0.63	15.88	0.94	23.80		
	04	1		1.22	30.94	2.13	54.10	1.03	26.09	0.96	24.31	0.13	3.18	0.31	7.92		
		2		1.22	30.94	3.13	79.50	1.03	26.09	0.96	24.31	0.13	3.18	0.31	7.92		
	05	1		1.22	30.94	2.13	54.10	1.03	26.09	1.15	29.08	0.25	6.35	0.44	11.10		
		2		1.22	30.94	3.13	79.50	1.03	26.09	1.15	29.08	0.25	6.35	0.44	11.10		
20	01	1	37/20	1.35	34.16	3.13	79.50	1.03	26.09	1.33	33.83	0.35	8.89	0.63	15.88		
		2		1.35	34.16	4.13	104.90	1.03	26.09	1.33	33.83	0.35	8.89	0.63	15.88		
	02	1		1.35	34.16	3.13	79.50	1.06	26.90	1.55	39.40	0.50	12.70	0.75	19.05		
		2		1.35	34.16	4.13	104.90	1.06	26.90	1.55	39.40	0.50	12.70	0.75	19.05		
	03	1		1.35	34.16	3.88	98.55	1.16	29.36	1.77	44.96	0.63	15.88	0.94	23.80		
		2		1.35	34.16	4.88	123.95	1.16	29.36	1.77	44.96	0.63	15.88	0.94	23.80		
	04	1		1.35	34.16	3.88	98.55	1.38	34.93	2.11	53.67	0.88	22.23	1.25	31.75		
		2		1.35	34.16	4.88	123.95	1.38	34.93	2.11	53.67	0.88	22.23	1.25	31.75		
	05	1		1.35	34.16	3.13	79.50	1.03	26.09	1.15	29.08	0.25	6.35	0.44	11.10		
		2		1.35	34.16	4.13	104.90	1.03	26.09	1.15	29.08	0.25	6.35	0.44	11.10		
06	1	1.35	34.16	3.13	79.50	1.16	29.36	1.77	44.96	0.63	15.88	0.90	22.96				
	2	1.35	34.16	4.13	104.90	1.16	29.36	1.77	44.96	0.63	15.88	0.90	22.96				
22	01	1	22	1.47	37.29	3.13	79.50	1.03	26.09	1.33	33.83	0.35	8.89	0.63	15.88		
		2		1.47	37.29	4.13	104.90	1.03	26.09	1.33	33.83	0.35	8.89	0.63	15.88		
	02	1		1.47	37.29	3.13	79.50	1.06	26.90	1.55	39.40	0.50	12.70	0.75	19.05		
		2		1.47	37.29	4.13	104.90	1.06	26.90	1.55	39.40	0.50	12.70	0.75	19.05		
	03	1		1.47	37.29	3.13	79.50	1.16	29.36	1.77	44.96	0.63	15.88	0.94	23.80		
		2		1.47	37.29	4.13	104.90	1.16	29.36	1.77	44.96	0.63	15.88	0.94	23.80		
	04	1		1.47	37.29	3.88	98.55	1.38	34.93	2.11	53.67	0.88	22.23	1.25	31.75		
		2		1.47	37.29	4.88	123.95	1.38	34.93	2.11	53.67	0.88	22.23	1.25	31.75		
	05	1		1.47	37.29	3.13	79.50	1.03	26.09	0.96	24.31	0.13	3.18	0.31	7.92		
		2		1.47	37.29	4.13	104.90	1.03	26.09	0.96	24.31	0.13	3.18	0.31	7.92		
	06	1		1.47	37.29	3.13	79.50	1.03	26.09	1.15	29.08	0.25	6.35	0.44	11.10		
		2		1.47	37.29	4.13	104.90	1.03	26.09	1.15	29.08	0.25	6.35	0.44	11.10		
	07	1		1.47	37.29	3.13	79.50	1.38	34.93	2.11	53.67	0.88	22.23	1.03	26.14		
		2		1.47	37.29	4.13	104.90	1.38	34.93	2.11	53.67	0.88	22.23	1.03	26.14		

Table Continued

Connector Group - J

Straight

AMPHENOL PART NUMBER DESIGNATOR			CONNECTOR SHELL SIZE	TABLE - A											
SHELL SIZE	ENTRY SIZE	LENGTH		A DIA. (MAX)		B (MAX)		C (REF)		G (MAX)		CABLE RANGE			
				INCH	MM	INCH	MM	INCH	MM	INCH	MM	MIN		MAX	
												INCH	MM	INCH	MM
24	01	1	24	1.59	40.46	3.13	79.50	1.06	26.90	1.55	39.40	0.50	12.70	0.75	19.05
		2		1.59	40.46	4.13	104.90	1.06	26.90	1.55	39.40	0.50	12.70	0.75	19.05
	02	1		1.59	40.46	3.13	79.50	1.16	29.36	1.77	44.96	0.63	15.88	0.81	20.62
		2		1.59	40.46	4.13	104.90	1.16	29.36	1.77	44.96	0.63	15.88	0.81	20.62
	03	1		1.59	40.46	3.13	79.50	1.16	29.36	1.77	44.96	0.63	15.88	0.94	23.80
		2		1.59	40.46	4.13	104.90	1.16	29.36	1.77	44.96	0.63	15.88	0.94	23.80
	04	1		1.59	40.46	3.88	98.55	1.38	34.93	2.11	53.67	0.88	22.23	1.25	31.75
		2		1.59	40.46	4.88	123.95	1.38	34.93	2.11	53.67	0.88	22.23	1.25	31.75
	05	1		1.59	40.46	3.13	79.50	1.03	26.09	1.33	33.83	0.35	8.89	0.63	15.88
		2		1.59	40.46	4.13	104.90	1.03	26.09	1.33	33.83	0.35	8.89	0.63	15.88
	06	1		1.59	40.46	3.13	79.50	1.38	34.93	2.11	53.67	0.88	22.23	1.14	29.06
		2		1.59	40.46	4.13	104.90	1.38	34.93	2.11	53.67	0.88	22.23	1.14	29.06
28	01	1	28	1.97	50.01	3.13	79.50	1.06	26.90	1.55	39.40	0.50	12.70	0.75	19.05
		2		1.97	50.01	4.13	104.90	1.06	26.90	1.55	39.40	0.50	12.70	0.75	19.05
	02	1		1.97	50.01	3.13	79.50	1.16	29.36	1.77	44.96	0.63	15.88	0.94	23.80
		2		1.97	50.01	4.13	104.90	1.16	29.36	1.77	44.96	0.63	15.88	0.94	23.80
	03	1		1.97	50.01	3.13	79.50	1.38	34.93	2.11	53.67	0.88	22.23	1.25	31.75
		2		1.97	50.01	4.13	104.90	1.38	34.93	2.11	53.67	0.88	22.23	1.25	31.75
	04	1		1.97	50.01	3.13	79.50	1.50	38.10	2.36	60.02	1.00	25.40	1.38	34.93
		2		1.97	50.01	4.13	104.90	1.50	38.10	2.36	60.02	1.00	25.40	1.38	34.93
32	01	1	32	2.22	56.36	3.13	79.50	1.16	29.36	1.77	44.96	0.63	15.88	0.94	23.80
		2		2.22	56.36	4.13	104.90	1.16	29.36	1.77	44.96	0.63	15.88	0.94	23.80
	02	1		2.22	56.36	3.13	79.50	1.38	34.93	2.11	53.67	0.88	22.23	12.50	317.50
		2		2.22	56.36	4.13	104.90	1.38	34.93	2.11	53.67	0.88	22.23	1.25	31.75
	03	1		2.22	56.36	3.13	79.50	1.50	38.10	2.36	60.02	1.00	25.40	1.38	34.93
		2		2.22	56.36	4.13	104.90	1.50	38.10	2.36	60.02	1.00	25.40	1.38	34.93
	04	1		2.22	56.36	3.13	79.50	1.78	45.24	2.77	70.36	1.25	31.75	1.63	41.28
		2		2.22	56.36	4.13	104.90	1.78	45.24	2.77	70.36	1.25	31.75	1.63	41.28
36	01	1	36	2.47	62.71	4.13	104.90	1.38	34.93	2.11	53.67	0.88	22.23	1.25	31.75
		2		2.47	62.71	5.13	130.30	1.38	34.93	2.11	53.67	0.88	22.23	1.25	31.75
	02	1		2.47	62.71	4.13	104.90	1.50	38.10	2.36	60.02	1.00	25.40	1.38	34.93
		2		2.47	62.71	5.13	130.30	1.50	38.10	2.36	60.02	1.00	25.40	1.38	34.93
	03	1		2.47	62.71	4.13	104.90	1.78	45.24	2.77	70.36	1.25	31.75	1.63	41.28
		2		2.47	62.71	5.13	130.30	1.78	45.24	2.77	70.36	1.25	31.75	1.63	41.28
	04	1		2.47	62.71	5.01	127.25	1.83	46.48	3.02	76.71	1.44	36.50	1.88	47.63
		2		2.47	62.71	6.01	152.65	1.83	46.48	3.02	76.71	1.44	36.50	1.88	47.63
	05	1		2.47	62.71	4.13	104.90	1.06	26.90	1.55	39.40	0.50	12.70	0.75	19.05
		2		2.47	62.71	5.13	130.30	1.06	26.90	1.55	39.40	0.50	12.70	0.75	19.05
	06	1		2.47	62.71	4.13	104.90	1.83	46.48	3.02	76.71	1.44	36.50	1.84	46.74
		2		2.47	62.71	5.13	130.30	1.83	46.48	3.02	76.71	1.44	36.50	1.84	46.74
	07	1		2.47	62.71	4.13	104.90	1.16	29.36	1.77	44.96	0.63	15.88	0.94	23.80
		2		2.47	62.71	5.13	130.30	1.16	29.36	1.77	44.96	0.63	15.88	0.94	23.80
40	01	1	40	2.72	69.06	4.13	104.90	1.38	34.93	2.11	53.67	0.88	22.23	1.25	31.75
		2		2.72	69.06	5.13	130.30	1.38	34.93	2.11	53.67	0.88	22.23	1.25	31.75
	02	1		2.72	69.06	4.13	104.90	1.50	38.10	2.36	60.02	1.00	25.40	1.38	34.93
		2		2.72	69.06	5.13	130.30	1.50	38.10	2.36	60.02	1.00	25.40	1.38	34.93
	03	1		2.72	69.06	4.13	104.90	1.78	45.24	2.77	70.36	1.25	31.75	1.63	41.28
		2		2.72	69.06	5.13	130.30	1.78	45.24	2.77	70.36	1.25	31.75	1.63	41.28
	04	1		2.72	69.06	4.13	104.90	1.83	46.48	3.02	76.71	1.44	36.50	1.88	47.63
		2		2.72	69.06	5.13	130.30	1.83	46.48	3.02	76.71	1.44	36.50	1.88	47.63
	05	1		2.72	69.06	4.13	104.90	1.06	26.90	1.55	39.40	0.50	12.70	0.75	19.05
		2		2.72	69.06	5.13	130.30	1.06	26.90	1.55	39.40	0.50	12.70	0.75	19.05
	06	1		2.72	69.06	4.13	104.90	1.16	29.36	1.77	44.96	0.63	15.88	0.94	23.80
		2		2.72	69.06	5.13	130.30	1.16	29.36	1.77	44.96	0.63	15.88	0.94	23.80

Table Continued



Amphenol Non - Environmental Backshell

Connector Group - J

Straight

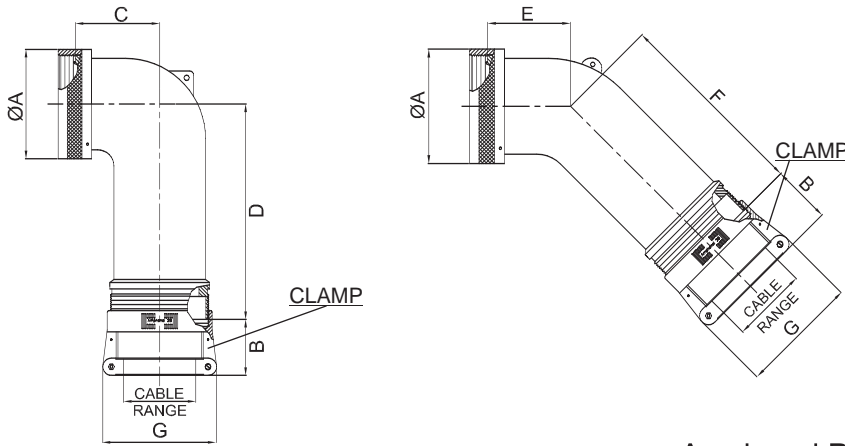
TABLE - A

AMPHENOL PART NUMBER DESIGNATOR			CONNECTOR SHELL SIZE	A DIA. (MAX)		B (MAX)		C (REF)		G (MAX)		CABLE RANGE			
SHELL SIZE	ENTRY SIZE	LENGTH		INCH	MM	INCH	MM	INCH	MM	INCH	MM	MIN		MAX	
												INCH	MM	INCH	MM
44	01	1	44	2.97	75.41	4.13	104.90	1.38	34.93	2.11	53.67	0.88	22.23	1.25	31.75
		2		2.97	75.41	5.13	130.30	1.38	34.93	2.11	53.67	0.88	22.23	1.25	31.75
	02	1		2.97	75.41	4.13	104.90	1.50	38.10	2.36	60.02	1.00	25.40	1.38	34.93
		2		2.97	75.41	5.13	130.30	1.50	38.10	2.36	60.02	1.00	25.40	1.38	34.93
	03	1		2.97	75.41	4.13	104.90	1.78	45.24	2.77	70.36	1.25	31.75	1.63	41.28
		2		2.97	75.41	5.13	130.30	1.78	45.24	2.77	70.36	1.25	31.75	1.63	41.28
	04	1		2.97	75.41	4.13	104.90	1.83	46.48	3.02	76.71	1.44	36.50	1.88	47.63
		2		2.97	75.41	5.13	130.30	1.83	46.48	3.02	76.71	1.44	36.50	1.88	47.63
	05	1		2.97	75.41	4.13	104.90	1.16	29.36	1.77	44.96	0.63	15.88	0.94	23.80
		2		2.97	75.41	5.13	130.30	1.16	29.36	1.77	44.96	0.63	15.88	0.94	23.80
48	01	1	48	3.22	81.76	4.13	104.90	1.38	34.93	2.11	53.67	0.88	22.23	1.25	31.75
		2		3.22	81.76	5.13	130.30	1.38	34.93	2.11	53.67	0.88	22.23	1.25	31.75
	02	1		3.22	81.76	4.13	104.90	1.50	38.10	2.36	60.02	1.00	25.40	1.38	34.93
		2		3.22	81.76	5.13	130.30	1.50	38.10	2.36	60.02	1.00	25.40	1.38	34.93
	03	1		3.22	81.76	4.13	104.90	1.78	45.24	2.77	70.36	1.25	31.75	1.63	41.28
		2		3.22	81.76	5.13	130.30	1.78	45.24	2.77	70.36	1.25	31.75	1.63	41.28
	04	1		3.22	81.76	4.13	104.90	1.83	46.48	3.02	76.71	1.44	36.50	1.88	47.63
		2		3.22	81.76	5.13	130.30	1.83	46.48	3.02	76.71	1.44	36.50	1.88	47.63

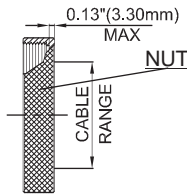
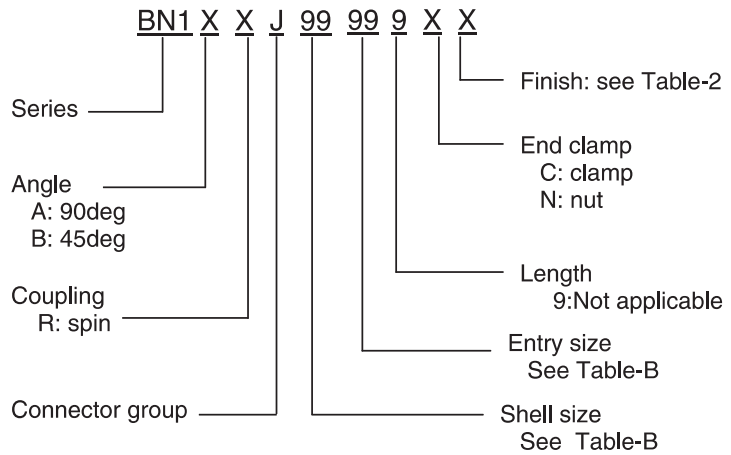


Connector Group - J

90°, 45°



Amphenol Part Number



NOTE: * For more cable entry options, contact factory

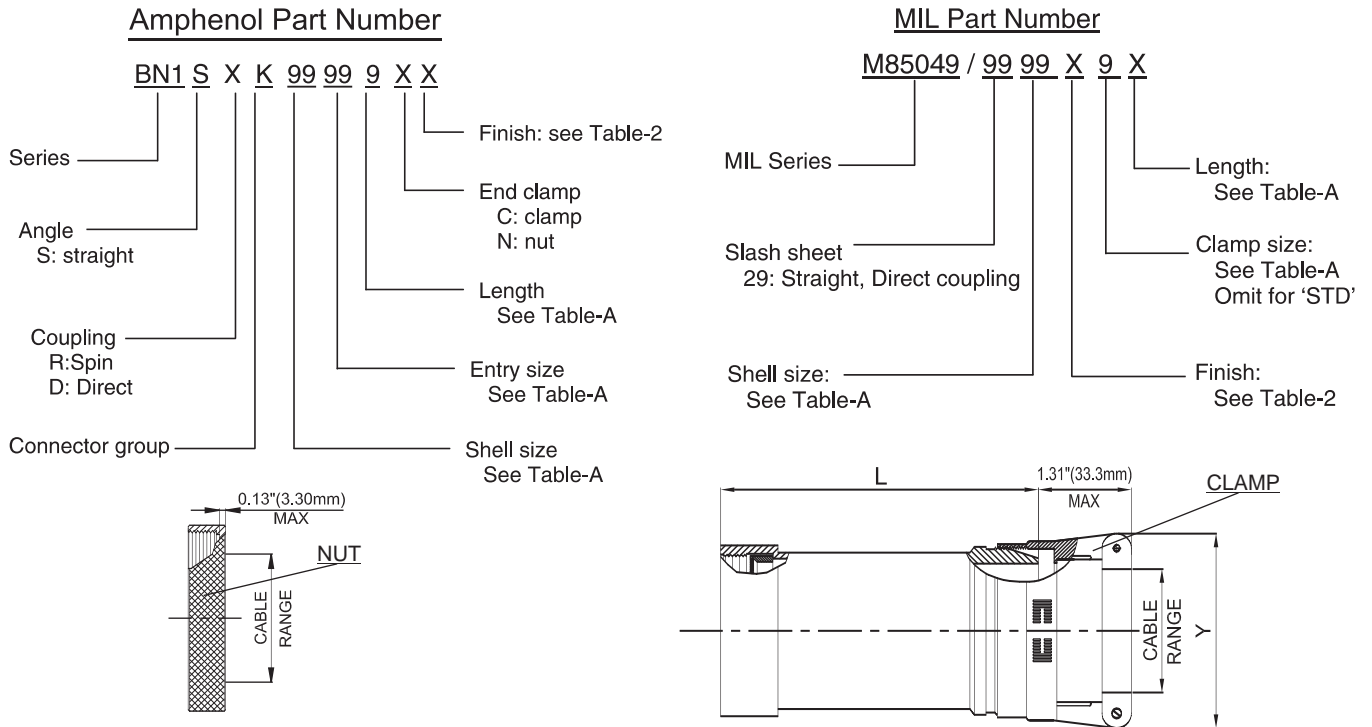
TABLE - B

AMPHENOL PART NUMBER DESIGNATOR	CONNECTOR SHELL SIZE	A DIA. (MAX)		B (REF)		C (MAX)		D (MAX)		E (MAX)		F (MAX)		G (MAX)		CABLE RANGE			
		SHELL SIZE		ENTRY SIZE		MIN		MAX		MIN		MAX		MIN		MAX			
		INCH	MM	INCH	MM	INCH	MM	INCH	MM	INCH	MM	INCH	MM	INCH	MM	INCH	MM	INCH	MM
08	01	0.62	15.67	1.03	26.09	0.67	17.02	1.26	32.00	0.63	16.00	1.25	31.75	0.96	24.31	0.13	3.18	0.25	6.35
	02	0.73	18.64	1.03	26.09	0.76	19.30	1.98	50.29	0.69	17.53	1.92	48.77	0.96	24.31	0.13	3.18	0.31	7.92
10	02	0.73	18.64	1.03	26.09	1.52	38.61	2.00	50.80	1.50	38.10	1.98	50.29	1.15	29.08	0.25	6.35	0.44	11.10
	03	0.73	18.64	1.03	26.09	0.76	19.30	1.38	35.05	0.69	17.53	1.31	33.27	1.15	29.08	0.25	6.35	0.38	9.53
12	01	0.86	21.79	1.03	26.09	0.77	19.56	2.00	50.80	0.75	19.05	1.98	50.29	0.96	24.31	0.13	3.18	0.31	7.92
	02	0.86	21.79	1.03	26.09	1.81	45.97	2.16	54.86	1.65	41.91	2.18	55.37	1.33	33.83	0.35	8.89	0.63	15.88
	03	0.86	21.79	1.03	26.09	0.77	19.56	2.00	50.80	0.75	19.05	1.98	50.29	1.15	29.08	0.25	6.35	0.44	11.10
	04	0.86	21.79	1.03	26.09	0.77	19.56	1.40	35.56	0.75	19.05	1.98	50.29	1.33	33.83	0.35	8.89	0.50	12.70
14	01	0.98	24.99	1.03	26.09	0.87	22.10	2.07	52.58	0.81	20.57	2.07	52.58	1.15	29.08	0.25	6.35	0.44	11.10
	02	0.98	24.99	1.03	26.09	0.87	22.10	1.72	43.69	0.81	20.57	1.72	43.69	1.33	33.83	0.35	8.89	0.58	14.61
	03	0.98	24.99	1.06	26.90	1.89	48.01	2.33	59.18	1.84	46.74	2.37	60.20	1.55	39.40	0.50	12.70	0.75	19.05
	04	0.98	24.99	1.03	26.09	0.87	22.10	2.07	52.58	0.81	20.57	2.07	52.58	0.96	24.31	0.13	3.18	0.31	7.92
16	01	1.11	28.24	1.03	26.09	1.05	26.67	2.16	54.86	0.91	23.11	2.18	55.37	1.15	29.08	0.25	6.35	0.44	11.10
	02	1.11	28.24	1.06	26.90	1.05	26.67	1.81	45.97	0.91	23.11	1.82	46.23	1.55	39.40	0.50	12.70	0.70	17.78
	03	1.11	28.24	1.03	26.09	1.05	26.67	2.16	54.86	0.91	23.11	2.18	55.37	1.33	33.83	0.35	8.89	0.63	15.88
	04	1.11	28.24	1.16	29.36	2.04	51.82	2.44	61.98	1.94	49.28	2.52	64.01	1.77	44.96	0.63	15.88	0.94	23.80
	05	1.11	28.24	1.03	26.09	1.05	26.67	2.16	54.86	0.91	23.11	2.18	55.37	0.96	24.31	0.13	3.18	0.31	7.92

Table Continued

Connector Group - K

Straight



NOTE: * For more cable entry and length options, contact factory

AMPHENOL PART NUMBER DESIGNATOR		MIL PART NUMBER DESIGNATOR		CONNECTOR SHELL SIZE SE - II / I	CABLE RANGE				L (MAX)		Y (MAX)		
SHELL SIZE	ENTRY SIZE	LENGTH	ACCESSORY SHELL SIZE		CLAMP SIZE	LENGTH	MIN		MAX		INCH	MM	
							INCH	MM	INCH	MM			
08	01	1	08	1	STD.	0.06	1.57	0.13	3.18	1.03	26.16	0.78	19.81
		2			A					2.03	51.56		
	02	1		2	STD.	0.13	3.18	0.25	6.35	1.03	26.16	0.97	24.64
		2			A					2.03	51.56		
10	01	1	10	1	STD.	0.06	1.57	0.13	3.18	1.03	26.16	0.78	19.81
		2			A					2.03	51.56		
		3			A					2.03	51.56		
	02	1		2	STD.	0.13	3.18	0.25	6.35	1.03	26.16	0.97	24.64
		2			A					2.03	51.56		
		3			A					2.03	51.56		
12	01	1	12	2	STD.	0.13	3.18	0.25	6.35	1.03	26.16	0.97	24.64
		2			A					2.03	51.56		
		3			A					2.03	51.56		
	02	1		3	STD.	0.25	6.35	0.38	9.53	1.03	26.16	1.06	26.92
		2			A					2.03	51.56		
		3			A					2.03	51.56		
14	01	1	14	2	STD.	0.13	3.18	0.25	6.35	1.03	26.16	0.97	24.64
		2			A					2.03	51.56		
		3			B					3.03	76.96		
	02	1		3	STD.	0.25	6.35	0.38	9.53	1.03	26.16	1.06	26.92
		2			A					2.03	51.56		
		3			B					3.03	76.96		
	03	1		4	STD.	0.31	7.92	0.50	12.70	1.03	26.16	1.16	29.46
		2			A					2.03	51.56		
		3			B					3.03	76.96		
14	04	1	14	5	STD.	0.44	11.10	0.63	15.88	1.03	26.16	1.25	31.75
		2			A					2.03	51.56		
		3			B					3.03	76.96		

Table Continued

Amphenol Non - Environmental Backshell

Connector Group - K

Straight

TABLE - A																			
AMPHENOL PART NUMBER DESIGNATOR			MIL PART NUMBER DESIGNATOR			CONNECTOR SHELL SIZE SE - II / I	CABLE RANGE				L (MAX)		Y (MAX)						
SHELL SIZE	ENTRY SIZE	LENGTH	ACCESSORY SHELL SIZE	CLAMP SIZE	LENGTH		MIN		MAX		INCH	MM	INCH	MM					
							INCH	MM	INCH	MM									
16	01	1	16	2	STD.	16 / 17	0.13	3.18	0.25	6.35	1.03	26.16	0.97	24.64					
		2			A						2.03	51.56							
		3			B						3.03	76.96							
	02	1		3	STD.		3	16 / 17	0.25	6.35	0.38	9.53	1.03	26.16	1.06	26.92			
		2			A								2.03	51.56					
		3			B								3.03	76.96					
	03	1		4	STD.		4	16 / 17	0.31	7.92	0.50	12.70	1.03	26.16	1.16	29.46			
		2			A								2.03	51.56					
		3			B								3.03	76.96					
	04	1		5	STD.		5	16 / 17	0.44	11.10	0.63	15.88	1.03	26.16	1.25	31.75			
		2			A								2.03	51.56					
		3			B								3.03	76.96					
	05	1		6	STD.		6	16 / 17	0.56	14.27	0.75	19.05	1.03	26.16	1.38	35.05			
		2			A								2.03	51.56					
		3			B								3.03	76.96					
18	01	1	18	3	STD.	18 / 19	0.25	6.35	0.38	9.53	1.03	26.16	1.06	26.92					
		2			A						2.03	51.56							
		3			B						3.03	76.96							
	02	1		4	STD.		4	18 / 19	0.31	7.92	0.50	12.70	1.03	26.16	1.16	29.46			
		2			A								2.03	51.56					
		3			B								3.03	76.96					
	03	1		5	STD.		5	18 / 19	0.44	11.10	0.63	15.88	1.03	26.16	1.25	31.75			
		2			A								2.03	51.56					
		3			B								3.03	76.96					
	04	1		6	STD.		6	18 / 19	0.56	14.27	0.75	19.05	1.03	26.16	1.38	35.05			
		2			A								2.03	51.56					
		3			B								3.03	76.96					
	05	1		7	STD.		7	18 / 19	0.69	17.45	0.88	22.23	1.03	26.16	1.50	38.10			
		2			A								2.03	51.56					
		3			B								3.03	76.96					
20	01	1	20	3	STD.	20 / 21	0.25	6.35	0.38	9.53	1.03	26.16	1.06	26.92					
		2			A						2.03	51.56							
		3			B						3.03	76.96							
		4			C						4.03	102.36							
	02	1		4	STD.		4	20 / 21	0.31	7.92	0.50	12.70	1.03	26.16	1.16	29.46			
		2			A								2.03	51.56					
		3			B								3.03	76.96					
		4			C								4.03	102.36					
	03	1		5	STD.		5		20 / 21	0.44	11.10	0.63	15.88	1.03	26.16	1.25	31.75		
		2			A									2.03	51.56				
		3			B									3.03	76.96				
		4			C									4.03	102.36				
	04	1		6	STD.		6			20 / 21	0.56	14.27	0.75	19.05	1.03	26.16	1.38	35.05	
		2			A										2.03	51.56			
		3			B										3.03	76.96			
		4			C										4.03	102.36			
	05	1		7	STD.		7				20 / 21	0.69	17.45	0.88	22.23	1.03	26.16	1.50	38.10
		2			A											2.03	51.56		
3		B	3.03		76.96														
4		C	4.03		102.36														
06	1	8	STD.	8	20 / 21	0.81	20.62					1.00	25.40	1.03	26.16	1.63	41.40		
	2		A											2.03	51.56				
	3		B					3.03						76.96					
	4		C					4.03						102.36					

Table Continued



Connector Group - K

Straight

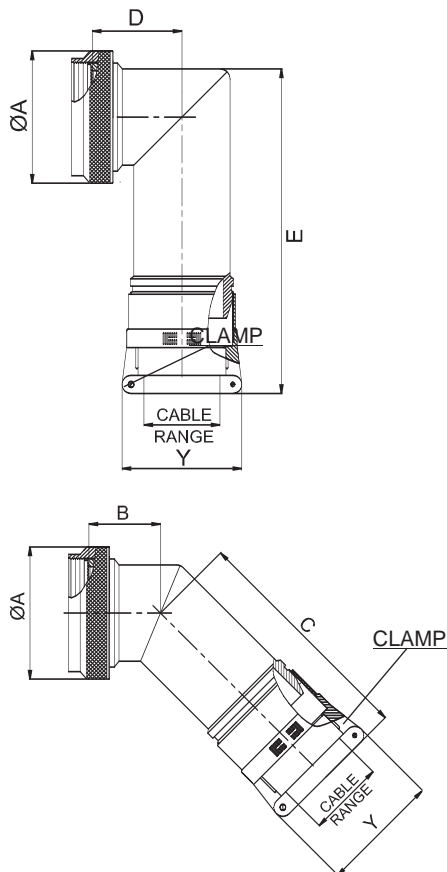
TABLE - A																
AMPHENOL PART NUMBER DESIGNATOR			MIL PART NUMBER DESIGNATOR			CONNECTOR SHELL SIZE SE - II / I	CABLE RANGE				L (MAX)		Y (MAX)			
SHELL SIZE	ENTRY SIZE	LENGTH	ACCESSORY SHELL SIZE	CLAMP SIZE	LENGTH		MIN		MAX		INCH	MM	INCH	MM		
							INCH	MM	INCH	MM						
22	01	1	22	3	STD.	22 / 23	0.25	6.35	0.38	9.53	1.03	26.16	1.06	26.92		
		2			A						2.03	51.56				
		3			B						3.03	76.96				
		4			C						4.03	102.36				
	02	1		4	STD.		4	STD.	0.31	7.92	0.50	12.70	1.03	26.16	1.16	29.46
		2			A			2.03					51.56			
		3			B			3.03					76.96			
		4			C			4.03					102.36			
	03	1		5	STD.		5	STD.	0.44	11.10	0.63	15.88	1.03	26.16	1.25	31.75
		2			A			2.03					51.56			
		3			B			3.03					76.96			
		4			C			4.03					102.36			
	04	1		6	STD.		6	STD.	0.56	14.27	0.75	19.05	1.03	26.16	1.38	35.05
		2			A			2.03					51.56			
		3			B			3.03					76.96			
		4			C			4.03					102.36			
	05	1		7	STD.		7	STD.	0.69	17.45	0.88	22.23	1.03	26.16	1.50	38.10
		2			A			2.03					51.56			
		3			B			3.03					76.96			
		4			C			4.03					102.36			
	06	1		8	STD.		8	STD.	0.81	20.62	1.00	25.40	1.03	26.16	1.63	41.40
		2			A			2.03					51.56			
		3			B			3.03					76.96			
		4			C			4.03					102.36			
	07	1		9	STD.		9	STD.	0.94	23.80	1.13	28.58	1.03	26.16	1.75	44.45
		2			A			2.03					51.56			
		3			B			3.03					76.96			
		4			C			4.03					102.36			
24	01	1	24	4	STD.	24 / 25	0.31	7.92	0.50	12.70	1.03	26.16	1.16	29.46		
		2			A						2.03	51.56				
		3			B						3.03	76.96				
		4			C						4.03	102.36				
	02	1		5	STD.		5	STD.	0.44	11.10	0.63	15.88	1.03	26.16	1.25	31.75
		2			A			2.03					51.56			
		3			B			3.03					76.96			
		4			C			4.03					102.36			
	03	1		6	STD.		6	STD.	0.56	14.27	0.75	19.05	1.03	26.16	1.38	35.05
		2			A			2.03					51.56			
		3			B			3.03					76.96			
		4			C			4.03					102.36			
	04	1		7	STD.		7	STD.	0.69	17.45	0.88	22.23	1.03	26.16	1.50	38.10
		2			A			2.03					51.56			
		3			B			3.03					76.96			
		4			C			4.03					102.36			
	05	1		8	STD.		8	STD.	0.81	20.62	1.00	25.40	1.03	26.16	1.63	41.40
		2			A			2.03					51.56			
		3			B			3.03					76.96			
		4			C			4.03					102.36			
	06	1		9	STD.		9	STD.	0.94	23.80	1.13	28.58	1.03	26.16	1.75	44.45
		2			A			2.03					51.56			
		3			B			3.03					76.96			
		4			C			4.03					102.36			
	07	1		10	STD.		10	STD.	1.06	26.97	1.25	31.75	1.03	26.16	1.88	47.75
		2			A			2.03					51.56			
		3			B			3.03					76.96			
		4			C			4.03					102.36			



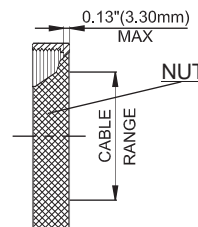
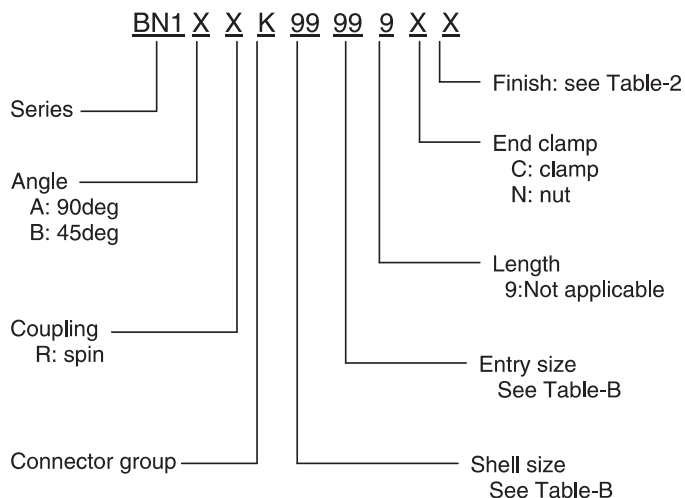
Amphenol Non - Environmental Backshell

Connector Group - K

90°, 45°



Amphenol Part Number



NOTE: * For more cable entry options, contact factory

TABLE - B

AMPHENOL PART NUMBER DESIGNATOR		CONNECTOR SHELL SIZE SE - III/I	CABLE RANGE				A DIA. (MAX)		B (MAX)		C (MAX)		D (MAX)		E (MAX)		Y (MAX)	
SHELL SIZE	ENTRY SIZE		MIN		MAX		INCH	MM	INCH	MM	INCH	MM	INCH	MM	INCH	MM	INCH	MM
			INCH	MM	INCH	MM												
08	01	8 / 9	0.06	1.57	0.13	3.18	0.75	19.05	0.46	11.68	3.15	80.01	0.69	17.53	3.46	87.88	0.78	19.81
	02		0.13	3.18	0.25	6.35											0.97	24.64
10	01	10 / 11	0.06	1.57	0.13	3.18	0.85	21.59	0.52	13.21	3.21	81.53	0.78	19.81	3.58	90.93	0.78	19.81
	02		0.13	3.18	0.25	6.35											0.97	24.64
	03		0.25	6.35	0.38	9.53											1.06	26.92
12	01	12 / 13	0.13	3.18	0.25	6.35	1.00	25.40	0.58	14.73	3.27	83.06	0.80	20.32	3.60	91.44	0.97	24.64
	02		0.25	6.35	0.38	9.53											1.06	26.92
	03		0.31	7.92	0.50	12.70											1.16	29.46
14	01	14 / 15	0.13	3.18	0.25	6.35	1.15	29.21	0.65	16.51	3.36	85.34	0.88	22.35	3.67	93.22	0.97	24.64
	02		0.25	6.35	0.38	9.53											1.06	26.92
	03		0.31	7.92	0.50	12.70											1.16	29.46
	04		0.44	11.10	0.63	15.88											1.25	31.75

Table Continued

Connector Group - K

90°, 45°

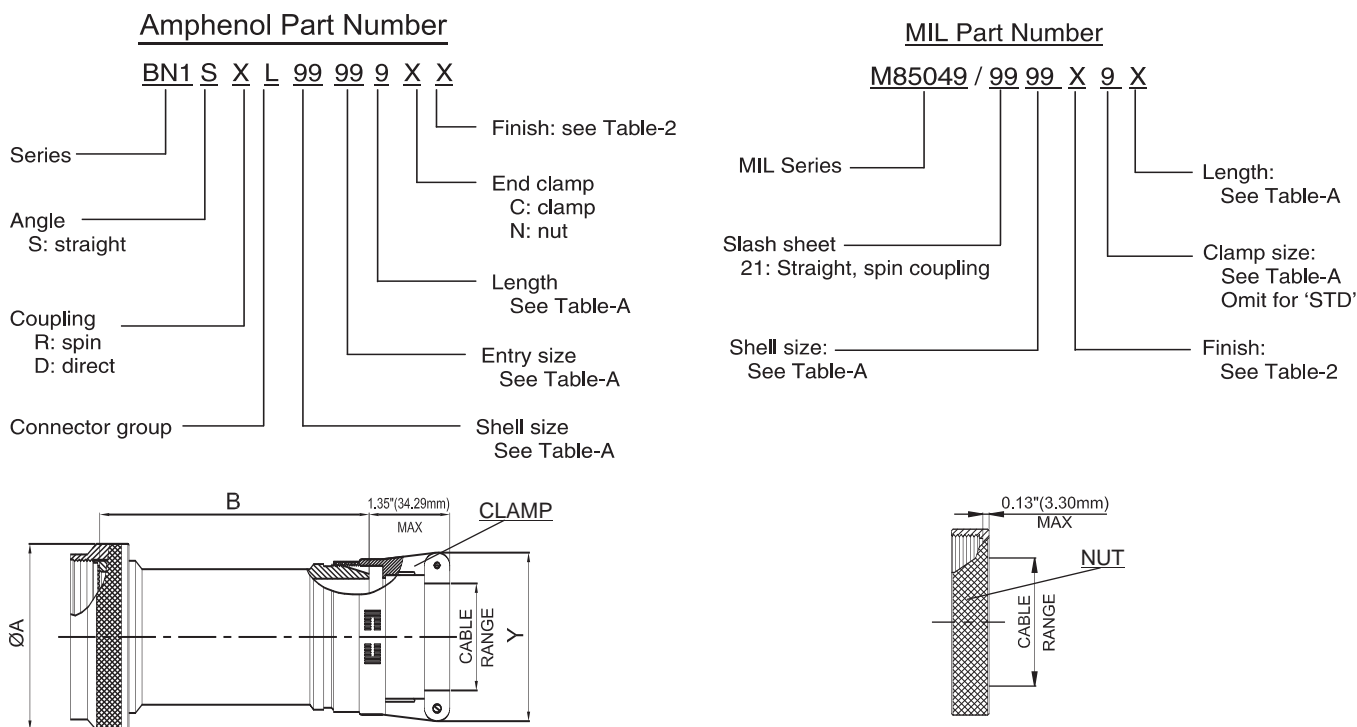
TABLE - B																		
AMPHENOL PART NUMBER DESIGNATOR		CONNECTOR SHELL SIZE	CABLE RANGE				A DIA. (MAX)		B (MAX)		C (MAX)		D (MAX)		E (MAX)		Y (MAX)	
SHELL SIZE	ENTRY SIZE		MIN		MAX		INCH	MM	INCH	MM	INCH	MM	INCH	MM	INCH	MM	INCH	MM
			INCH	MM	INCH	MM												
16	01	16 / 17	0.13	3.18	0.25	6.35	1.25	31.75	0.74	18.80	3.47	88.14	0.93	23.62	3.76	95.50	0.97	24.64
	02		0.25	6.35	0.38	9.53											1.06	26.92
	03		0.31	7.92	0.50	12.70											1.16	29.46
	04		0.44	11.10	0.63	15.88											1.25	31.75
	05		0.56	14.27	0.75	19.05											1.38	35.05
18	01	18 / 19	0.25	6.35	0.38	9.53	1.40	35.56	0.93	23.62	3.66	92.96	1.01	25.65	3.93	99.82	1.06	26.92
	02		0.31	7.92	0.50	12.70											1.16	29.46
	03		0.44	11.10	0.63	15.88											1.25	31.75
	04		0.56	14.27	0.75	19.05											1.38	35.05
	05		0.69	17.45	0.88	22.23											1.50	38.10
20	01	20 / 21	0.25	6.35	0.38	9.53	1.55	39.37	0.93	23.62	3.66	92.96	1.06	26.92	3.93	99.82	1.06	26.92
	02		0.31	7.92	0.50	12.70											1.16	29.46
	03		0.44	11.10	0.63	15.88											1.25	31.75
	04		0.56	14.27	0.75	19.05											1.38	35.05
	05		0.69	17.45	0.88	22.23											1.50	38.10
	06		0.81	20.62	1.00	25.40											1.63	41.40
22	01	22 / 23	0.25	6.35	0.38	9.53	1.65	41.91	1.02	25.91	3.81	96.77	1.17	29.72	4.04	102.62	1.06	26.92
	02		0.31	7.92	0.50	12.70											1.16	29.46
	03		0.44	11.10	0.63	15.88											1.25	31.75
	04		0.56	14.27	0.75	19.05											1.38	35.05
	05		0.69	17.45	0.88	22.23											1.50	38.10
	06		0.81	20.62	1.00	25.40											1.63	41.40
	07		0.94	23.80	1.13	28.58											1.75	44.45
24	01	24 / 25	0.31	7.92	0.50	12.70	1.85	46.99	1.02	25.91	3.81	96.77	1.18	29.97	4.04	102.62	1.16	29.46
	02		0.44	11.10	0.63	15.88											1.25	31.75
	03		0.56	14.27	0.75	19.05											1.38	35.05
	04		0.69	17.45	0.88	22.23											1.50	38.10
	05		0.81	20.62	1.00	25.40											1.63	41.40
	06		0.94	23.80	1.13	28.58											1.75	44.45
	07		1.06	26.97	1.25	31.75											1.88	47.75



Amphenol Non - Environmental Backshell

Connector Group - L

Straight



NOTE: * For more cable entry and length options, contact factory

TABLE - A																
AMPHENOL PART NUMBER DESIGNATOR			MIL PART NUMBER DESIGNATOR			CONNECTOR SHELL SIZE/CODE (REF.)	CABLE RANGE				A DIA. (MAX)		B (MAX)		Y (MAX)	
SHELL SIZE	ENTRY SIZE	LENGTH	CONNECTOR SHELL SIZE	CLAMP SIZE	LENGTH		MIN		MAX		INCH	MM	INCH	MM	INCH	MM
							INCH	MM	INCH	MM						
08	01	1	09	1	STD.	09 / A	0.06	1.57	0.13	3.18	0.75	19.05	1.53	38.86	0.80	20.32
		A			2.53								64.26			
	02	1		2	STD.		0.13	3.18	0.25	6.35			1.53	38.86	1.00	25.40
		A			2.53								64.26			
10	01	1	11	1	STD.	11 / B	0.06	1.57	0.13	3.18	0.85	21.59	1.53	38.86	0.80	20.32
		A			2.53								64.26			
	02	1		2	STD.		0.13	3.18	0.25	6.35			1.53	38.86	1.00	25.40
		A			2.53								64.26			
	03	1		2	STD.		0.25	6.35	0.38	9.53			1.53	38.86	1.10	27.94
		A			2.53								64.26			
12	01	1	13	2	STD.	13 / C	0.13	3.18	0.25	6.35	1.00	25.40	1.53	38.86	1.00	25.40
		A			2.53								64.26			
	02	1		3	STD.		0.25	6.35	0.38	9.53			1.53	38.86	1.10	27.94
		A			2.53								64.26			
	03	1		2	STD.		0.31	7.92	0.50	12.70			1.53	38.86	1.20	30.48
		A			2.53								64.26			
14	01	1	15	2	STD.	15 / D	0.13	3.18	0.25	6.35	1.10	27.94	1.53	38.86	1.00	25.40
		A			2.53								64.26			
		B			3.53								89.66			
	02	1		3	STD.		0.25	6.35	0.38	9.53			1.53	38.86	1.10	27.94
		A			2.53								64.26			
		B			3.53								89.66			
	03	1		4	STD.		0.31	7.92	0.50	12.70			1.53	38.86	1.20	30.48
		A			2.53								64.26			
		B			3.53								89.66			
	04	1		5	STD.		0.44	11.10	0.63	15.88			1.53	38.86	1.25	31.75
		A			2.53								64.26			
		B			3.53								89.66			

Table Continued

Connector Group - L
Straight

TABLE - A																
AMPHENOL PART NUMBER DESIGNATOR			MIL PART NUMBER DESIGNATOR			CONNECTOR SHELL SIZE/CODE (REF.)	CABLE RANGE				A DIA. (MAX)		B (MAX)		Y (MAX)	
SHELL SIZE	ENTRY SIZE	LENGTH	CONNECTOR SHELL SIZE	CLAMP SIZE	LENGTH		MIN		MAX		INCH	MM	INCH	MM	INCH	MM
							INCH	MM	INCH	MM						
16	01	1	17	2	STD.	17 / E	0.13	3.18	0.25	6.35	1.25	31.75	1.53	38.86	1.00	25.40
		2			A								2.53	64.26		
		3			B								3.53	89.66		
	02	1		3	STD.		0.25	6.35	0.38	9.53			1.53	38.86	1.10	27.94
		2			A								2.53	64.26		
		3			B								3.53	89.66		
	03	1		4	STD.		0.31	7.92	0.50	12.70			1.53	38.86	1.20	30.48
		2			A								2.53	64.26		
		3			B								3.53	89.66		
	04	1		5	STD.		0.44	11.10	0.63	15.88			1.53	38.86	1.25	31.75
		2			A								2.53	64.26		
		3			B								3.53	89.66		
	05	1		6	STD.		0.56	14.27	0.75	19.05			1.53	38.86	1.40	35.56
		2			A								2.53	64.26		
		3			B								3.53	89.66		
18	01	1	19	3	STD.	19 / F	0.25	6.35	0.38	9.53	1.40	35.56	1.53	38.86	1.10	27.94
		2			A								2.53	64.26		
		3			B								3.53	89.66		
	02	1		4	STD.		0.31	7.92	0.50	12.70			1.53	38.86	1.20	30.48
		2			A								2.53	64.26		
		3			B								3.53	89.66		
	03	1		5	STD.		0.44	11.10	0.63	15.88			1.53	38.86	1.25	31.75
		2			A								2.53	64.26		
		3			B								3.53	89.66		
	04	1		6	STD.		0.56	14.27	0.75	19.05			1.53	38.86	1.40	35.56
		2			A								2.53	64.26		
		3			B								3.53	89.66		
	05	1		7	STD.		0.69	17.45	0.88	22.23			1.53	38.86	1.50	38.10
		2			A								2.53	64.26		
		3			B								3.53	89.66		
20	01	1	21	3	STD.	21 / G	0.25	6.35	0.38	9.53	1.50	38.10	1.53	38.86	1.10	27.94
		2			A								2.53	64.26		
		3			B								3.53	89.66		
		4			C								4.53	115.06		
	02	1		4	STD.		0.31	7.92	0.50	12.70			1.53	38.86	1.20	30.48
		2			A								2.53	64.26		
		3			B								3.53	89.66		
		4			C								4.53	115.06		
	03	1		5	STD.		0.44	11.10	0.63	15.88			1.53	38.86	1.25	31.75
		2			A								2.53	64.26		
		3			B								3.53	89.66		
		4			C								4.53	115.06		
	04	1		6	STD.		0.56	14.27	0.75	19.05			1.53	38.86	1.40	35.56
		2			A								2.53	64.26		
		3			B								3.53	89.66		
		4			C								4.53	115.06		
	05	1		7	STD.		0.69	17.45	0.88	22.23			1.53	38.86	1.50	38.10
		2			A								2.53	64.26		
		3			B								3.53	89.66		
		4			C								4.53	115.06		
	06	1		8	STD.		0.81	20.62	1.00	25.40			1.53	38.86	1.65	41.91
		2			A								2.53	64.26		
		3			B								3.53	89.66		
		4			C								4.53	115.06		

Table Continued



Amphenol Non - Environmental Backshell

Connector Group - L

Straight

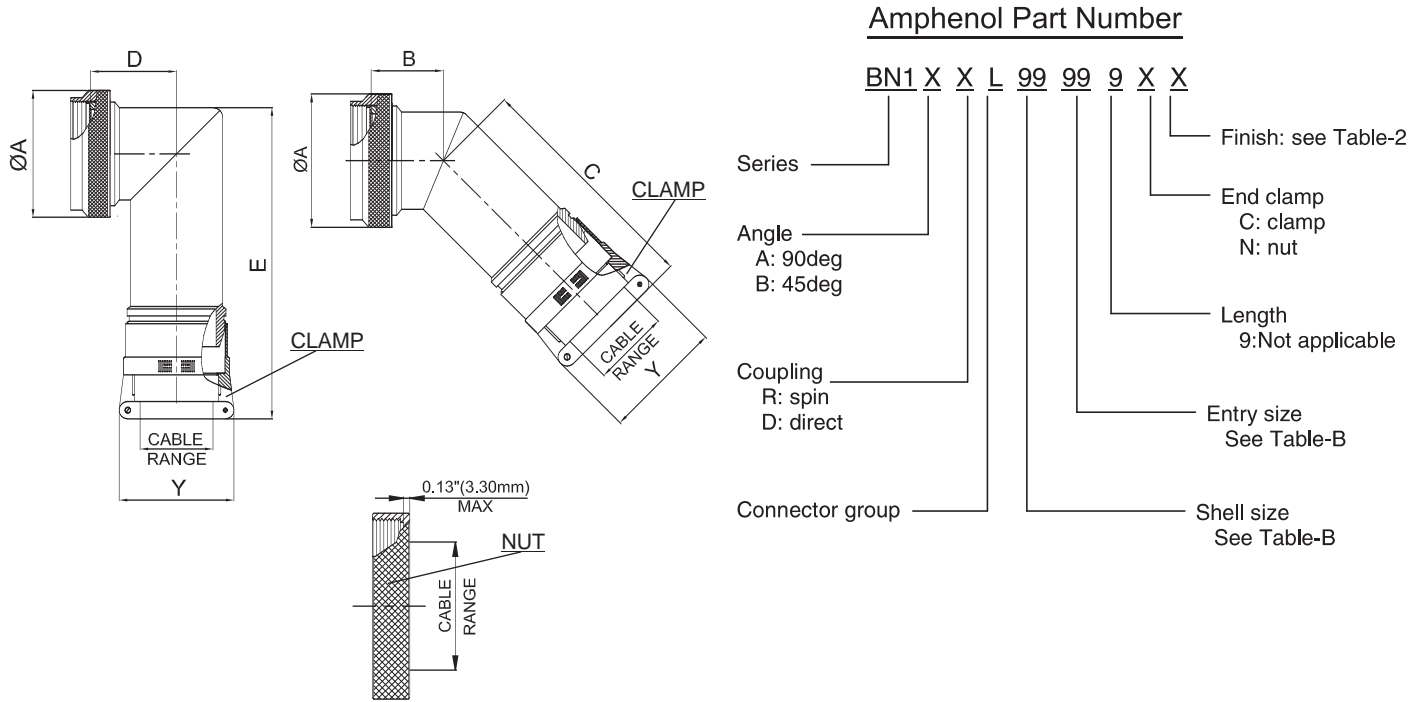
TABLE - A

AMPHENOL PART NUMBER DESIGNATOR			MIL PART NUMBER DESIGNATOR			CONNECTOR SHELL SIZE/CODE (REF.)	CABLE RANGE				A DIA. (MAX)		B (MAX)		Y (MAX)		
SHELL SIZE	ENTRY SIZE	LENGTH	CONNECTOR SHELL SIZE	CLAMP SIZE	LENGTH		MIN		MAX		INCH	MM	INCH	MM	INCH	MM	
							INCH	MM	INCH	MM							
22	01	1	23	3	STD.	23 / H	0.25	6.35	0.38	9.53	1.65	41.91	1.53	38.86	1.10	27.94	
		2			A								2.53	64.26			
		3			B								3.53	89.66			
		4			C								4.53	115.06			
	02	1		STD.	4		STD.	0.31	7.92	0.50			12.70	1.53	38.86	1.20	30.48
		2		A			2.53							64.26			
		3		B			3.53							89.66			
		4		C			4.53							115.06			
	03	1		STD.	5		STD.	0.44	11.10	0.63			15.88	1.53	38.86	1.25	31.75
		2		A			2.53							64.26			
		3		B			3.53							89.66			
		4		C			4.53							115.06			
	04	1		STD.	6		STD.	0.56	14.27	0.75			19.05	1.53	38.86	1.40	35.56
		2		A			2.53							64.26			
		3		B			3.53							89.66			
		4		C			4.53							115.06			
	05	1		STD.	7		STD.	0.69	17.45	0.88			22.23	1.53	38.86	1.50	38.10
		2		A			2.53							64.26			
		3		B			3.53							89.66			
		4		C			4.53							115.06			
	06	1		STD.	8		STD.	0.81	20.62	1.00			25.40	1.53	38.86	1.65	41.91
		2		A			2.53							64.26			
		3		B			3.53							89.66			
		4		C			4.53							115.06			
	07	1		STD.	9		STD.	0.94	23.80	1.13			28.58	1.53	38.86	1.75	44.45
		2		A			2.53							64.26			
		3		B			3.53							89.66			
		4		C			4.53							115.06			
24	01	1	25	4	STD.	25 / J	0.31	7.92	0.50	12.70	1.75	44.45	1.53	38.86	1.20	30.48	
		2			A								2.53	64.26			
		3			B								3.53	89.66			
		4			C								4.53	115.06			
	02	1		STD.	5		STD.	0.44	11.10	0.63			15.88	1.53	38.86	1.25	31.75
		2		A			2.53							64.26			
		3		B			3.53							89.66			
		4		C			4.53							115.06			
	03	1		STD.	6		STD.	0.56	14.27	0.75			19.05	1.53	38.86	1.40	35.56
		2		A			2.53							64.26			
		3		B			3.53							89.66			
		4		C			4.53							115.06			
	04	1		STD.	7		STD.	0.69	17.45	0.88			22.23	1.53	38.86	1.50	38.10
		2		A			2.53							64.26			
		3		B			3.53							89.66			
		4		C			4.53							115.06			
	05	1		STD.	8		STD.	0.81	20.62	1.00			25.40	1.53	38.86	1.65	41.91
		2		A			2.53							64.26			
		3		B			3.53							89.66			
		4		C			4.53							115.06			
	06	1		STD.	9		STD.	0.94	23.80	1.13			28.58	1.53	38.86	1.75	44.45
		2		A			2.53							64.26			
		3		B			3.53							89.66			
		4		C			4.53							115.06			
	07	1		STD.	10		STD.	1.06	26.97	1.25			31.75	1.53	38.86	1.90	48.26
		2		A			2.53							64.26			
		3		B			3.53							89.66			
		4		C			4.53							115.06			



Connector Group - L

90°, 45°



NOTE: * For more cable entry options, contact factory

AMPHENOL PART NUMBER DESIGNATOR		CONNECTOR SHELL SIZE/CODE (REF.)	CABLE RANGE				A DIA. (MAX)		B (MAX)		C (MAX)		D (MAX)		E (MAX)		Y (MAX)	
SHELL SIZE	ENTRY SIZE		MIN		MAX		INCH	MM	INCH	MM	INCH	MM	INCH	MM	INCH	MM	INCH	MM
			INCH	MM	INCH	MM												
08	01	09 / A	0.06	1.57	0.13	3.18	0.75	19.05	0.46	11.68	3.15	80.01	0.69	17.53	3.46	87.88	0.80	20.32
	02		0.13	3.18	0.25	6.35											1.00	25.40
10	01	11 / B	0.06	1.57	0.13	3.18	0.85	21.59	0.52	13.21	3.21	81.53	0.78	19.81	3.58	90.93	0.80	20.32
	02		0.13	3.18	0.25	6.35											1.00	25.40
	03		0.25	6.35	0.38	9.53											1.10	27.94
12	01	13 / C	0.13	3.18	0.25	6.35	1.00	25.40	0.58	14.73	3.27	83.06	0.80	20.32	3.60	91.44	1.00	25.40
	02		0.25	6.35	0.38	9.53											1.10	27.94
	03		0.31	7.92	0.50	12.70											1.20	30.48
14	01	15 / D	0.13	3.18	0.25	6.35	1.15	29.21	0.65	16.51	3.36	85.34	0.88	22.35	3.67	93.22	1.00	25.40
	02		0.25	6.35	0.38	9.53											1.10	27.94
	03		0.31	7.92	0.50	12.70											1.20	30.48
	04		0.44	11.10	0.63	15.88											1.25	31.75

Table Continued

Amphenol Non - Environmental Backshell

Connector Group - L

90°, 45°

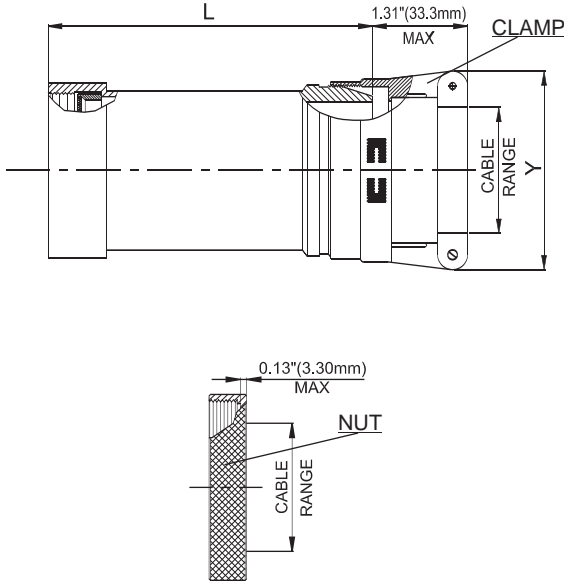
TABLE - B

AMPHENOL PART NUMBER DESIGNATOR		CONNECTOR SHELL SIZE/CODE (REF.)	CABLE RANGE				A DIA. (MAX)		B (MAX)		C (MAX)		D (MAX)		E (MAX)		Y (MAX)	
SHELL SIZE	ENTRY SIZE		MIN		MAX		INCH	MM	INCH	MM	INCH	MM	INCH	MM	INCH	MM	INCH	MM
			INCH	MM	INCH	MM												
16	01	17 / E	0.13	3.18	0.25	6.35	1.25	31.75	0.74	18.80	3.47	88.14	0.93	23.62	3.76	95.50	1.00	25.40
	02		0.25	6.35	0.38	9.53											1.10	27.94
	03		0.31	7.92	0.50	12.70											1.20	30.48
	04		0.44	11.10	0.63	15.88											1.25	31.75
	05		0.56	14.27	0.75	19.05											1.40	35.56
18	01	19 / F	0.25	6.35	0.38	9.53	1.40	35.56	0.93	23.62	3.66	92.96	1.01	25.65	3.93	99.82	1.10	27.94
	02		0.31	7.92	0.50	12.70											1.20	30.48
	03		0.44	11.10	0.63	15.88											1.25	31.75
	04		0.56	14.27	0.75	19.05											1.40	35.56
	05		0.69	17.45	0.88	22.23											1.50	38.10
20	01	21 / G	0.25	6.35	0.38	9.53	1.55	39.37	0.93	23.62	3.66	92.96	1.06	26.92	3.93	99.82	1.10	27.94
	02		0.31	7.92	0.50	12.70											1.20	30.48
	03		0.44	11.10	0.63	15.88											1.25	31.75
	04		0.56	14.27	0.75	19.05											1.40	35.56
	05		0.69	17.45	0.88	22.23											1.50	38.10
	06		0.81	20.62	1.00	25.40											1.65	41.91
22	01	23 / H	0.25	6.35	0.38	9.53	1.65	41.91	1.02	25.91	3.81	96.77	1.17	29.72	4.04	102.62	1.10	27.94
	02		0.31	7.92	0.50	12.70											1.20	30.48
	03		0.44	11.10	0.63	15.88											1.25	31.75
	04		0.56	14.27	0.75	19.05											1.40	35.56
	05		0.69	17.45	0.88	22.23											1.50	38.10
	06		0.81	20.62	1.00	25.40											1.65	41.91
	07		0.94	23.80	1.13	28.58											1.75	44.45
24	01	25 / J	0.31	7.92	0.50	12.70	1.85	46.99	1.02	25.91	3.81	96.77	1.18	29.97	4.04	102.62	1.20	30.48
	02		0.44	11.10	0.63	15.88											1.25	31.75
	03		0.56	14.27	0.75	19.05											1.40	35.56
	04		0.69	17.45	0.88	22.23											1.50	38.10
	05		0.81	20.62	1.00	25.40											1.65	41.91
	06		0.94	23.80	1.13	28.58											1.75	44.45
	07		1.06	26.97	1.25	31.75											1.90	48.26

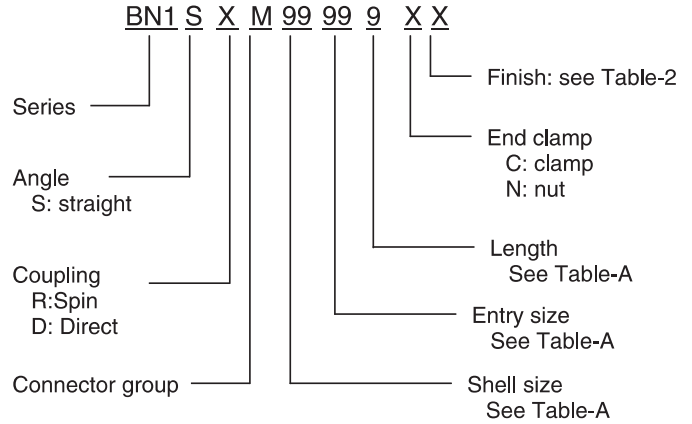


Connector Group - M

Straight



Amphenol Part Number



NOTE: * For more cable entry and length options, contact factory

TABLE - A												
AMPHENOL PART NUMBER DESIGNATOR			CONNECTOR SHELL SIZE	CABLE RANGE				L (MAX)		Y (MAX)		
SHELL SIZE	ENTRY SIZE	LENGTH		MIN		MAX		INCH	MM	INCH	MM	
				INCH	MM	INCH	MM					
08	01	1	8	0.06	1.57	0.13	3.18	1.03	26.16	0.78	19.81	
		2						2.03	51.56			
	02	1		0.13	3.18	0.25	6.35	1.03	26.16	0.97	24.64	
		2						2.03	51.56			
10	01	1		10	0.06	1.57	0.13	3.18	1.03	26.16	0.78	19.81
		2							2.03	51.56		
	02	1	0.13		3.18	0.25	6.35	1.03	26.16	0.97	24.64	
2		2.03						51.56				
	03	1	0.25		6.35	0.38	9.53	1.03	26.16	1.06	26.92	
		2						2.03	51.56			
12	01	1	12	0.13	3.18	0.25	6.35	1.03	26.16	0.97	24.64	
		2						2.03	51.56			
	02	1		0.25	6.35	0.38	9.53	1.03	26.16	1.06	26.92	
2		2.03						51.56				
	03	1		0.31	7.92	0.50	12.70	1.03	26.16	1.16	29.46	
		2						2.03	51.56			
14	01	1	14	0.13	3.18	0.25	6.35	1.03	26.16	0.97	24.64	
		2						2.03	51.56			
		02		1	0.25	6.35	0.38	9.53	1.03	26.16	1.06	26.92
2				2.03					51.56			
		3						3.03	76.96			
		3						3.03	76.96			

Table Continued

Amphenol Non - Environmental Backshell

Connector Group - M

Straight

TABLE - A													
AMPHENOL PART NUMBER DESIGNATOR			CONNECTOR SHELL SIZE	CABLE RANGE				L (MAX)		Y (MAX)			
SHELL SIZE	ENTRY SIZE	LENGTH		MIN		MAX		INCH	MM	INCH	MM		
				INCH	MM	INCH	MM						
14	03	1	14	0.31	7.92	0.50	12.70	1.03	26.16	1.16	29.46		
		2						2.03	51.56				
		3						3.03	76.96				
	04	1		0.44	11.10	0.63	15.88	1.03	26.16	1.25	31.75		
		2						2.03	51.56				
		3						3.03	76.96				
16	01	1	16	0.13	3.18	0.25	6.35	1.03	26.16	0.97	24.64		
		2						2.03	51.56				
		3						3.03	76.96				
	02	1		0.25	6.35	0.38	9.53	1.03	26.16	1.06	26.92		
		2						2.03	51.56				
		3						3.03	76.96				
	03	1		0.31	7.92	0.50	12.70	1.03	26.16	1.16	29.46		
		2						2.03	51.56				
		3						3.03	76.96				
	04	1		0.44	11.10	0.63	15.88	1.03	26.16	1.25	31.75		
		2						2.03	51.56				
		3						3.03	76.96				
	05	1		0.56	14.27	0.75	19.05	1.03	26.16	1.38	35.05		
		2						2.03	51.56				
		3						3.03	76.96				
	18	01		1	18	0.25	6.35	0.38	9.53	1.03	26.16	1.06	26.92
				2						2.03	51.56		
				3						3.03	76.96		
02		1	0.31	7.92		0.50	12.70	1.03	26.16	1.16	29.46		
		2						2.03	51.56				
		3						3.03	76.96				
03		1	0.44	11.10		0.63	15.88	1.03	26.16	1.25	31.75		
		2						2.03	51.56				
		3						3.03	76.96				
04		1	0.56	14.27		0.75	19.05	1.03	26.16	1.38	35.05		
		2						2.03	51.56				
		3						3.03	76.96				
05		1	0.69	17.45		0.88	22.23	1.03	26.16	1.50	38.10		
		2						2.03	51.56				
		3						3.03	76.96				
20		01	1	20		0.25	6.35	0.38	9.53	1.03	26.16	1.06	26.92
			2							2.03	51.56		
			3							3.03	76.96		
	4		4.03		102.36								
	02	1	0.31		7.92	0.50	12.70	1.03	26.16	1.16	29.46		
		2						2.03	51.56				
		3						3.03	76.96				
		4						4.03	102.36				
	03	1	0.44		11.10	0.63	15.88	1.03	26.16	1.25	31.75		
		2						2.03	51.56				
		3						3.03	76.96				
		4						4.03	102.36				
	04	1	0.56		14.27	0.75	19.05	1.03	26.16	1.38	35.05		
		2						2.03	51.56				
		3						3.03	76.96				
		4						4.03	102.36				
	05	1	0.69		17.45	0.88	22.23	1.03	26.16	1.50	38.10		
		2						2.03	51.56				
		3						3.03	76.96				
		4						4.03	102.36				
	06	1	0.81		20.62	1.00	25.40	1.03	26.16	1.63	41.40		
		2						2.03	51.56				
		3						3.03	76.96				
		4						4.03	102.36				

Table Continued

Connector Group - M

Straight

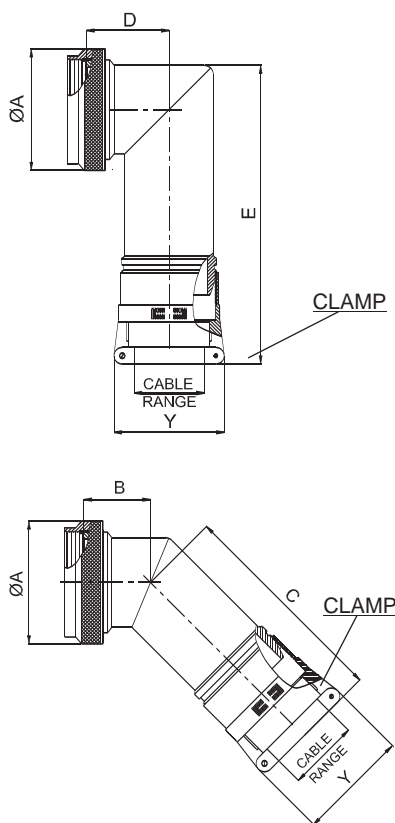
TABLE - A											
AMPHENOL PART NUMBER DESIGNATOR			CONNECTOR SHELL SIZE	CABLE RANGE				L (MAX)		Y (MAX)	
SHELL SIZE	ENTRY SIZE	LENGTH		MIN		MAX		INCH	MM	INCH	MM
				INCH	MM	INCH	MM				
22	01	1	22	0.25	6.35	0.38	9.53	1.03	26.16	1.06	26.92
		2						2.03	51.56		
		3						3.03	76.96		
		4						4.03	102.36		
	02	1		0.31	7.92	0.50	12.70	1.03	26.16	1.16	29.46
		2						2.03	51.56		
		3						3.03	76.96		
		4						4.03	102.36		
	03	1		0.44	11.10	0.63	15.88	1.03	26.16	1.25	31.75
		2						2.03	51.56		
		3						3.03	76.96		
		4						4.03	102.36		
	04	1		0.56	14.27	0.75	19.05	1.03	26.16	1.38	35.05
		2						2.03	51.56		
		3						3.03	76.96		
		4						4.03	102.36		
	05	1		0.69	17.45	0.88	22.23	1.03	26.16	1.50	38.10
		2						2.03	51.56		
		3						3.03	76.96		
		4						4.03	102.36		
	06	1		0.81	20.62	1.00	25.40	1.03	26.16	1.63	41.40
		2						2.03	51.56		
		3						3.03	76.96		
		4						4.03	102.36		
	07	1		0.94	23.80	1.13	28.58	1.03	26.16	1.75	44.45
		2						2.03	51.56		
		3						3.03	76.96		
		4						4.03	102.36		
24	01	1	24	0.31	7.92	0.50	12.70	1.03	26.16	1.16	29.46
		2						2.03	51.56		
		3						3.03	76.96		
		4						4.03	102.36		
	02	1		0.44	11.10	0.63	15.88	1.03	26.16	1.25	31.75
		2						2.03	51.56		
		3						3.03	76.96		
		4						4.03	102.36		
	03	1		0.56	14.27	0.75	19.05	1.03	26.16	1.38	35.05
		2						2.03	51.56		
		3						3.03	76.96		
		4						4.03	102.36		
	04	1		0.69	17.45	0.88	22.23	1.03	26.16	1.50	38.10
		2						2.03	51.56		
		3						3.03	76.96		
		4						4.03	102.36		
	05	1		0.81	20.62	1.00	25.40	1.03	26.16	1.63	41.40
		2						2.03	51.56		
		3						3.03	76.96		
		4						4.03	102.36		
	06	1		0.94	23.80	1.13	28.58	1.03	26.16	1.75	44.45
		2						2.03	51.56		
		3						3.03	76.96		
		4						4.03	102.36		
	07	1		1.06	26.97	1.25	31.75	1.03	26.16	1.88	47.75
		2						2.03	51.56		
		3						3.03	76.96		
		4						4.03	102.36		



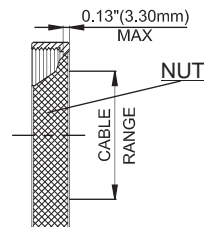
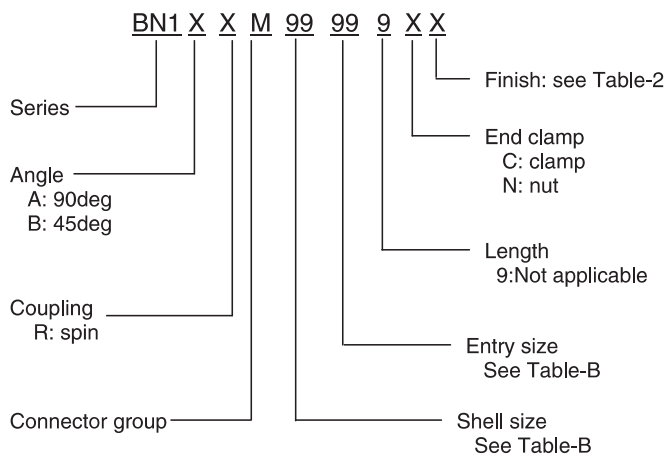
Amphenol Non - Environmental Backshell

Connector Group - M

90°, 45°



Amphenol Part Number



NOTE: * For more cable entry options, contact factory

TABLE - B

AMPHENOL PART NUMBER DESIGNATOR		CONNECTOR SHELL SIZE	CABLE RANGE				A DIA. (MAX)		B (MAX)		C (MAX)		D (MAX)		E (MAX)		Y (MAX)	
SHELL SIZE	ENTRY SIZE		MIN		MAX		INCH	MM	INCH	MM	INCH	MM	INCH	MM	INCH	MM	INCH	MM
			INCH	MM	INCH	MM												
08	01	8	0.06	1.57	0.13	3.18	0.75	19.05	0.46	11.68	3.15	80.01	0.69	17.53	3.46	87.88	0.78	19.81
	02		0.13	3.18	0.25	6.35											0.97	24.64
10	01	10	0.06	1.57	0.13	3.18	0.85	21.59	0.52	13.21	3.21	81.53	0.78	19.81	3.58	90.93	0.78	19.81
	02		0.13	3.18	0.25	6.35											0.97	24.64
	03		0.25	6.35	0.38	9.53											1.06	26.92
12	01	12	0.13	3.18	0.25	6.35	1.00	25.40	0.58	14.73	3.27	83.06	0.80	20.32	3.60	91.44	0.97	24.64
	02		0.25	6.35	0.38	9.53											1.06	26.92
	03		0.31	7.92	0.50	12.70											1.16	29.46
14	01	14	0.13	3.18	0.25	6.35	1.15	29.21	0.65	16.51	3.36	85.34	0.88	22.35	3.67	93.22	0.97	24.64
	02		0.25	6.35	0.38	9.53											1.06	26.92
	03		0.31	7.92	0.50	12.70											1.16	29.46
	04		0.44	11.10	0.63	15.88											1.25	31.75

Table Continued

Connector Group - M

90°, 45°

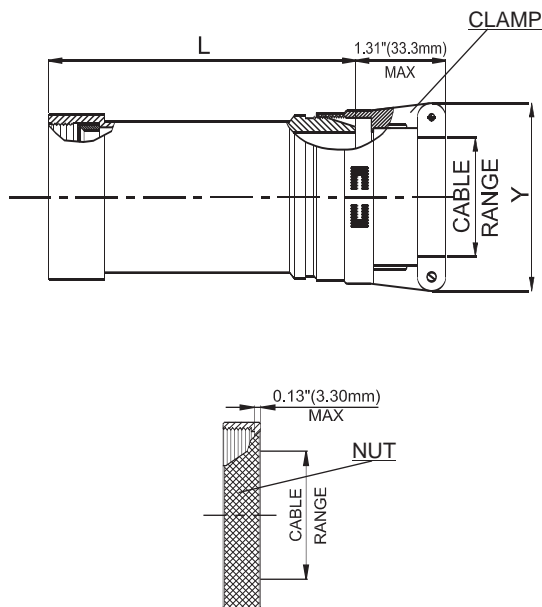
TABLE - B																		
AMPHENOL PART NUMBER DESIGNATOR		CONNECTOR SHELL SIZE	CABLE RANGE				A DIA. (MAX)		B (MAX)		C (MAX)		D (MAX)		E (MAX)		Y (MAX)	
SHELL SIZE	ENTRY SIZE		MIN		MAX		INCH	MM	INCH	MM	INCH	MM	INCH	MM	INCH	MM	INCH	MM
			INCH	MM	INCH	MM												
16	01	16	0.13	3.18	0.25	6.35	1.25	31.75	0.74	18.80	3.47	88.14	0.93	23.62	3.76	95.50	0.97	24.64
	02		0.25	6.35	0.38	9.53											1.06	26.92
	03		0.31	7.92	0.50	12.70											1.16	29.46
	04		0.44	11.10	0.63	15.88											1.25	31.75
	05		0.56	14.27	0.75	19.05											1.38	35.05
18	01	18	0.25	6.35	0.38	9.53	1.40	35.56	0.93	23.62	3.66	92.96	1.01	25.65	3.93	99.82	1.06	26.92
	02		0.31	7.92	0.50	12.70											1.16	29.46
	03		0.44	11.10	0.63	15.88											1.25	31.75
	04		0.56	14.27	0.75	19.05											1.38	35.05
	05		0.69	17.45	0.88	22.23											1.50	38.10
20	01	20	0.25	6.35	0.38	9.53	1.55	39.37	0.93	23.62	3.66	92.96	1.06	26.92	3.93	99.82	1.06	26.92
	02		0.31	7.92	0.50	12.70											1.16	29.46
	03		0.44	11.10	0.63	15.88											1.25	31.75
	04		0.56	14.27	0.75	19.05											1.38	35.05
	05		0.69	17.45	0.88	22.23											1.50	38.10
	06		0.81	20.62	1.00	25.40											1.63	41.40
22	01	22	0.25	6.35	0.38	9.53	1.65	41.91	1.02	25.91	3.81	96.77	1.17	29.72	4.04	102.62	1.06	26.92
	02		0.31	7.92	0.50	12.70											1.16	29.46
	03		0.44	11.10	0.63	15.88											1.25	31.75
	04		0.56	14.27	0.75	19.05											1.38	35.05
	05		0.69	17.45	0.88	22.23											1.50	38.10
	06		0.81	20.62	1.00	25.40											1.63	41.40
	07		0.94	23.80	1.13	28.58											1.75	44.45
24	01	24	0.31	7.92	0.50	12.70	1.85	46.99	1.02	25.91	3.81	96.77	1.18	29.97	4.04	102.62	1.16	29.46
	02		0.44	11.10	0.63	15.88											1.25	31.75
	03		0.56	14.27	0.75	19.05											1.38	35.05
	04		0.69	17.45	0.88	22.23											1.50	38.10
	05		0.81	20.62	1.00	25.40											1.63	41.40
	06		0.94	23.80	1.13	28.58											1.75	44.45
	07		1.06	26.97	1.25	31.75											1.88	47.75



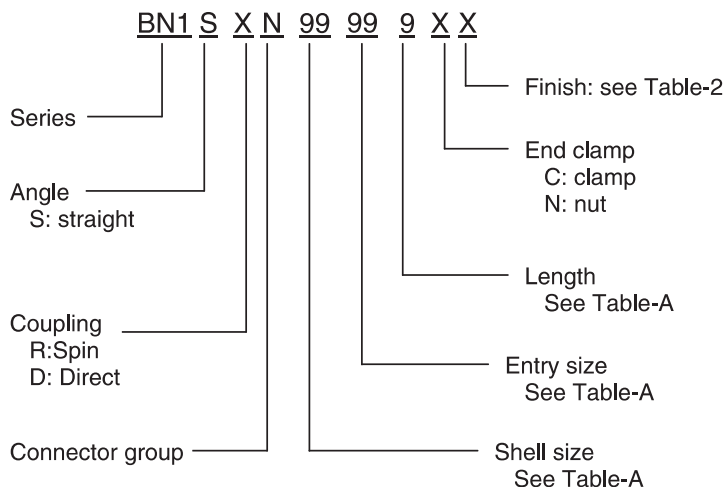
Amphenol Non - Environmental Backshell

Connector Group - N

Straight



Amphenol Part Number



NOTE: * For more cable entry and length options, contact factory

TABLE - A											
AMPHENOL PART NUMBER DESIGNATOR			CONNECTOR SHELL SIZE	CABLE RANGE				L (MAX)		Y (MAX)	
SHELL SIZE	ENTRY SIZE	LENGTH		MIN		MAX		INCH	MM	INCH	MM
				INCH	MM	INCH	MM				
08	01	1	8	0.06	1.57	0.13	3.18	1.03	26.16	0.78	19.81
		2						2.03	51.56		
	02	1		0.13	3.18	0.25	6.35	1.03	26.16	0.97	24.64
		2						2.03	51.56		
10	01	1	10	0.06	1.57	0.13	3.18	1.03	26.16	0.78	19.81
		2						2.03	51.56		
	02	1		0.13	3.18	0.25	6.35	1.03	26.16	0.97	24.64
		2						2.03	51.56		
	03	1		0.25	6.35	0.38	9.53	1.03	26.16	1.06	26.92
		2						2.03	51.56		
12	01	1	12	0.13	3.18	0.25	6.35	1.03	26.16	0.97	24.64
		2						2.03	51.56		
	02	1		0.25	6.35	0.38	9.53	1.03	26.16	1.06	26.92
		2						2.03	51.56		
	03	1		0.31	7.92	0.50	12.70	1.03	26.16	1.16	29.46
		2						2.03	51.56		
14	01	1	14	0.13	3.18	0.25	6.35	1.03	26.16	0.97	24.64
		2						2.03	51.56		
		3						3.03	76.96		
	02	1		0.25	6.35	0.38	9.53	1.03	26.16	1.06	26.92
		2						2.03	51.56		
		3						3.03	76.96		

Table Continued

Connector Group - N

Straight

TABLE - A																															
AMPHENOL PART NUMBER DESIGNATOR			CONNECTOR SHELL SIZE	CABLE RANGE				L (MAX)		Y (MAX)																					
SHELL SIZE	ENTRY SIZE	LENGTH		MIN		MAX		INCH	MM	INCH	MM																				
				INCH	MM	INCH	MM																								
14	03	1	14	0.31	7.92	0.50	12.70	1.03	26.16	1.16	29.46																				
		2						2.03	51.56																						
		3						3.03	76.96																						
	04	1						0.44	11.10			0.63	15.88	1.03	26.16																
		2												2.03	51.56																
		3												3.03	76.96																
16	01	1	16	0.13	3.18	0.25	6.35			1.03	26.16			0.97	24.64																
		2								2.03	51.56																				
		3								3.03	76.96																				
	02	1						0.25	6.35	0.38	9.53	1.03	26.16																		
		2										2.03	51.56																		
		3										3.03	76.96																		
	03	1										0.31	7.92			0.50	12.70	1.03	26.16												
		2																2.03	51.56												
		3																3.03	76.96												
	04	1																0.44	11.10	0.63	15.88	1.03	26.16								
		2																				2.03	51.56								
		3																				3.03	76.96								
05	1	0.56	14.27	0.75	19.05	1.03	26.16																								
	2					2.03	51.56																								
	3					3.03	76.96																								
18	01					1	18	0.25	6.35	0.38	9.53			1.03	26.16							1.06	26.92								
						2								2.03	51.56																
						3								3.03	76.96																
	02					1						0.31	7.92	0.50	12.70	1.03	26.16														
						2										2.03	51.56														
						3										3.03	76.96														
	03					1										0.44	11.10	0.63	15.88	1.03	26.16										
						2														2.03	51.56										
						3														3.03	76.96										
	04	1	0.56	14.27	0.75	19.05														1.03	26.16										
		2																		2.03	51.56										
		3																		3.03	76.96										
05	1	0.69					17.45	0.88	22.23	1.03	26.16																				
	2									2.03	51.56																				
	3									3.03	76.96																				
20	01									1	20	0.25	6.35	0.38	9.53					1.03	26.16	1.06	26.92								
										2										2.03	51.56										
										3										3.03	76.96										
										4						4.03	102.36														
	02									1						0.31	7.92	0.50	12.70	1.03	26.16										
										2										2.03	51.56										
			3	3.03	76.96																										
			4	4.03	102.36																										
	03		1	0.44	11.10	0.63				15.88										1.03	26.16										
		2	2.03				51.56																								
		3	3.03				76.96																								
		4	4.03				102.36																								
	04	1	0.56				14.27	0.75	19.05											1.03	26.16										
		2																		2.03	51.56										
		3																		3.03	76.96										
		4																		4.03	102.36										
	05	1																		0.69	17.45			0.88	22.23	1.03	26.16				
		2																								2.03	51.56				
		3																								3.03	76.96				
		4																								4.03	102.36				
	06	1																								0.81	20.62	1.00	25.40	1.03	26.16
		2																												2.03	51.56
		3																												3.03	76.96
		4																												4.03	102.36

Table Continued

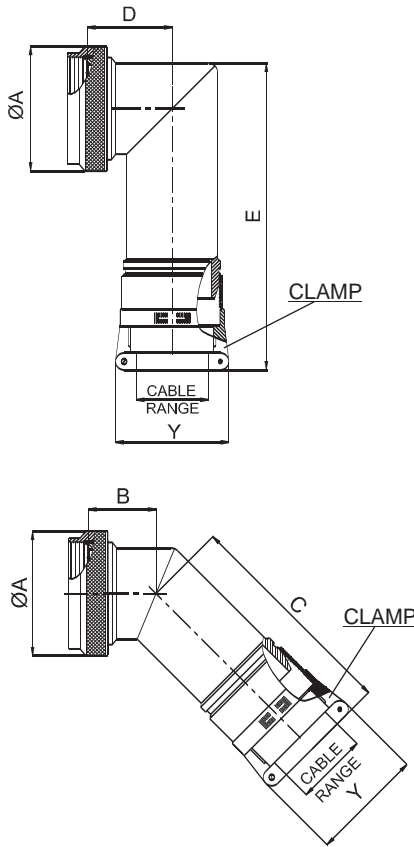


TABLE - A											
AMPHENOL PART NUMBER DESIGNATOR			CONNECTOR SHELL SIZE	CABLE RANGE				L (MAX)		Y (MAX)	
SHELL SIZE	ENTRY SIZE	LENGTH		MIN		MAX		INCH	MM	INCH	MM
				INCH	MM	INCH	MM				
22	01	1	22	0.25	6.35	0.38	9.53	1.03	26.16	1.06	26.92
		2						2.03	51.56		
		3						3.03	76.96		
		4						4.03	102.36		
	02	1		0.31	7.92	0.50	12.70	1.03	26.16	1.16	29.46
		2						2.03	51.56		
		3						3.03	76.96		
		4						4.03	102.36		
	03	1		0.44	11.10	0.63	15.88	1.03	26.16	1.25	31.75
		2						2.03	51.56		
		3						3.03	76.96		
		4						4.03	102.36		
22	04	1	22	0.56	14.27	0.75	19.05	1.03	26.16	1.38	35.05
		2						2.03	51.56		
		3						3.03	76.96		
		4						4.03	102.36		
	05	1		0.69	17.45	0.88	22.23	1.03	26.16	1.50	38.10
		2						2.03	51.56		
		3						3.03	76.96		
		4						4.03	102.36		
	06	1		0.81	20.62	1.00	25.40	1.03	26.16	1.63	41.40
		2						2.03	51.56		
		3						3.03	76.96		
		4						4.03	102.36		
07	1	0.94	23.80	1.13	28.58	1.03	26.16	1.75	44.45		
	2					2.03	51.56				
	3					3.03	76.96				
	4					4.03	102.36				
24	01	1	24	0.31	7.92	0.50	12.70	1.03	26.16	1.16	29.46
		2						2.03	51.56		
		3						3.03	76.96		
		4						4.03	102.36		
	02	1		0.44	11.10	0.63	15.88	1.03	26.16	1.25	31.75
		2						2.03	51.56		
		3						3.03	76.96		
		4						4.03	102.36		
	03	1		0.56	14.27	0.75	19.05	1.03	26.16	1.38	35.05
		2						2.03	51.56		
		3						3.03	76.96		
		4						4.03	102.36		
	04	1	0.69	17.45	0.88	22.23	1.03	26.16	1.50	38.10	
		2					2.03	51.56			
		3					3.03	76.96			
		4					4.03	102.36			
	05	1	0.81	20.62	1.00	25.40	1.03	26.16	1.63	41.40	
		2					2.03	51.56			
		3					3.03	76.96			
		4					4.03	102.36			
	06	1	0.94	23.80	1.13	28.58	1.03	26.16	1.75	44.45	
		2					2.03	51.56			
		3					3.03	76.96			
		4					4.03	102.36			
07	1	1.06	26.97	1.25	31.75	1.03	26.16	1.88	47.75		
	2					2.03	51.56				
	3					3.03	76.96				
	4					4.03	102.36				

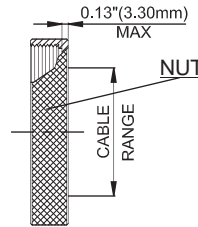
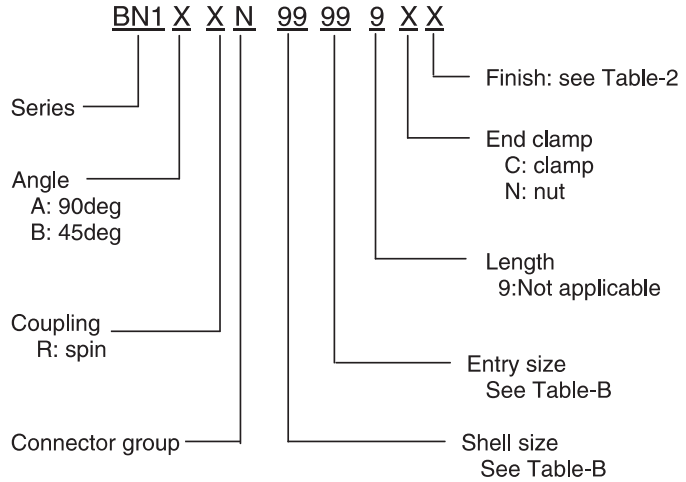


Connector Group - N

90°, 45°



Amphenol Part Number



NOTE: * For more cable entry options, contact factory

TABLE - B

AMPHENOL PART NUMBER DESIGNATOR		CONNECTOR SHELL SIZE	CABLE RANGE				A DIA. (MAX)		B (MAX)		C (MAX)		D (MAX)		E (MAX)		Y (MAX)	
SHELL SIZE	ENTRY SIZE		MIN		MAX		INCH	MM	INCH	MM	INCH	MM	INCH	MM	INCH	MM	INCH	MM
			INCH	MM	INCH	MM												
08	01	8	0.06	1.57	0.13	3.18	0.75	19.05	0.46	11.68	3.15	80.01	0.69	17.53	3.46	87.88	0.78	19.81
	02		0.13	3.18	0.25	6.35											0.97	24.64
10	01	10	0.06	1.57	0.13	3.18	0.85	21.59	0.52	13.21	3.21	81.53	0.78	19.81	3.58	90.93	0.78	19.81
	02		0.13	3.18	0.25	6.35											0.97	24.64
	03		0.25	6.35	0.38	9.53											1.06	26.92
12	01	12	0.13	3.18	0.25	6.35	1.00	25.40	0.58	14.73	3.27	83.06	0.80	20.32	3.60	91.44	0.97	24.64
	02		0.25	6.35	0.38	9.53											1.06	26.92
	03		0.31	7.92	0.50	12.70											1.16	29.46
14	01	14	0.13	3.18	0.25	6.35	1.15	29.21	0.65	16.51	3.36	85.34	0.88	22.35	3.67	93.22	0.97	24.64
	02		0.25	6.35	0.38	9.53											1.06	26.92
	03		0.31	7.92	0.50	12.70											1.16	29.46
	04		0.44	11.10	0.63	15.88											1.25	31.75
16	01	16	0.13	3.18	0.25	6.35	1.25	31.75	0.74	18.80	3.47	88.14	0.93	23.62	3.76	95.50	0.97	24.64
	02		0.25	6.35	0.38	9.53											1.06	26.92

Table Continued

Amphenol Non - Environmental Backshell

Connector Group - N

90°, 45°

TABLE - B

AMPHENOL PART NUMBER DESIGNATOR		CONNECTOR SHELL SIZE	CABLE RANGE				A DIA. (MAX)		B (MAX)		C (MAX)		D (MAX)		E (MAX)		Y (MAX)	
SHELL SIZE	ENTRY SIZE		MIN		MAX		INCH	MM	INCH	MM	INCH	MM	INCH	MM	INCH	MM	INCH	MM
			INCH	MM	INCH	MM												
16	03	16	0.31	7.92	0.50	12.70	1.25	31.75	0.74	18.80	3.47	88.14	0.93	23.62	3.76	95.50	1.16	29.46
	04		0.44	11.10	0.63	15.88											1.25	31.75
	05		0.56	14.27	0.75	19.05											1.38	35.05
18	01	18	0.25	6.35	0.38	9.53	1.40	35.56	0.93	23.62	3.66	92.96	1.01	25.65	3.93	99.82	1.06	26.92
	02		0.31	7.92	0.50	12.70											1.16	29.46
	03		0.44	11.10	0.63	15.88											1.25	31.75
	04		0.56	14.27	0.75	19.05											1.38	35.05
	05		0.69	17.45	0.88	22.23											1.50	38.10
20	01	20	0.25	6.35	0.38	9.53	1.55	39.37	0.93	23.62	3.66	92.96	1.06	26.92	3.93	99.82	1.06	26.92
	02		0.31	7.92	0.50	12.70											1.16	29.46
	03		0.44	11.10	0.63	15.88											1.25	31.75
	04		0.56	14.27	0.75	19.05											1.38	35.05
	05		0.69	17.45	0.88	22.23											1.50	38.10
	06		0.81	20.62	1.00	25.40											1.63	41.40
22	01	22	0.25	6.35	0.38	9.53	1.65	41.91	1.02	25.91	3.81	96.77	1.17	29.72	4.04	102.62	1.06	26.92
	02		0.31	7.92	0.50	12.70											1.16	29.46
	03		0.44	11.10	0.63	15.88											1.25	31.75
	04		0.56	14.27	0.75	19.05											1.38	35.05
	05		0.69	17.45	0.88	22.23											1.50	38.10
	06		0.81	20.62	1.00	25.40											1.63	41.40
	07		0.94	23.80	1.13	28.58											1.75	44.45
24	01	24	0.31	7.92	0.50	12.70	1.85	46.99	1.02	25.91	3.81	96.77	1.18	29.97	4.04	102.62	1.16	29.46
	02		0.44	11.10	0.63	15.88											1.25	31.75
	03		0.56	14.27	0.75	19.05											1.38	35.05
	04		0.69	17.45	0.88	22.23											1.50	38.10
	05		0.81	20.62	1.00	25.40											1.63	41.40
	06		0.94	23.80	1.13	28.58											1.75	44.45
	07		1.06	26.97	1.25	31.75											1.88	47.75



Компания «Океан Электроники» предлагает заключение долгосрочных отношений при поставках импортных электронных компонентов на взаимовыгодных условиях!

Наши преимущества:

- Поставка оригинальных импортных электронных компонентов напрямую с производств Америки, Европы и Азии, а так же с крупнейших складов мира;
- Широкая линейка поставок активных и пассивных импортных электронных компонентов (более 30 млн. наименований);
- Поставка сложных, дефицитных, либо снятых с производства позиций;
- Оперативные сроки поставки под заказ (от 5 рабочих дней);
- Экспресс доставка в любую точку России;
- Помощь Конструкторского Отдела и консультации квалифицированных инженеров;
- Техническая поддержка проекта, помощь в подборе аналогов, поставка прототипов;
- Поставка электронных компонентов под контролем ВП;
- Система менеджмента качества сертифицирована по Международному стандарту ISO 9001;
- При необходимости вся продукция военного и аэрокосмического назначения проходит испытания и сертификацию в лаборатории (по согласованию с заказчиком);
- Поставка специализированных компонентов военного и аэрокосмического уровня качества (Xilinx, Altera, Analog Devices, Intersil, Interpoint, Microsemi, Actel, Aeroflex, Peregrine, VPT, Syfer, Eurofarad, Texas Instruments, MS Kennedy, Miteq, Cobham, E2V, MA-COM, Hittite, Mini-Circuits, General Dynamics и др.);

Компания «Океан Электроники» является официальным дистрибьютором и эксклюзивным представителем в России одного из крупнейших производителей разъемов военного и аэрокосмического назначения «JONHON», а так же официальным дистрибьютором и эксклюзивным представителем в России производителя высокотехнологичных и надежных решений для передачи СВЧ сигналов «FORSTAR».



JONHON

«JONHON» (основан в 1970 г.)

Разъемы специального, военного и аэрокосмического назначения:

(Применяются в военной, авиационной, аэрокосмической, морской, железнодорожной, горно- и нефтедобывающей отраслях промышленности)

«FORSTAR» (основан в 1998 г.)

ВЧ соединители, коаксиальные кабели, кабельные сборки и микроволновые компоненты:

(Применяются в телекоммуникациях гражданского и специального назначения, в средствах связи, РЛС, а так же военной, авиационной и аэрокосмической отраслях промышленности).



Телефон: 8 (812) 309-75-97 (многоканальный)

Факс: 8 (812) 320-03-32

Электронная почта: ocean@oceanchips.ru

Web: <http://oceanchips.ru/>

Адрес: 198099, г. Санкт-Петербург, ул. Калинина, д. 2, корп. 4, лит. А