

# SY89468U



## Precision LVDS 1:20 Fanout with 2:1 MUX and Internal Termination with Fail-Safe Input

### General Description

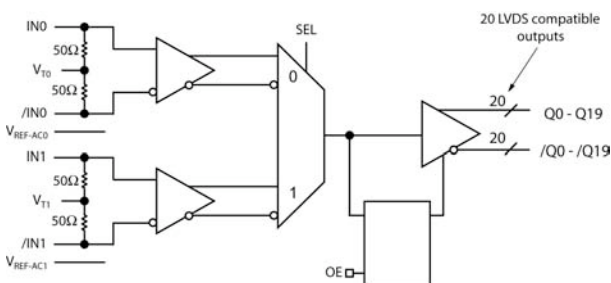
The SY89468U is a 2.5V, 1:20 LVDS fanout buffer with a 2:1 differential input multiplexer (MUX). A unique Fail-Safe Input (FSI) protection prevents metastable output conditions when the selected input clock fails to a DC voltage (voltage between the pins of the differential input drops significantly below 100mV).

The differential input includes Micrel's unique, 3-pin internal termination architecture that can interface to any differential signal (AC- or DC-coupled) as small as 100mV (200mV<sub>PP</sub>) without any level shifting or termination resistor networks in the signal path. The outputs are LVDS compatible with very fast rise/fall times guaranteed to be less than 270ps.

The SY89468U operates from a 2.5V  $\pm 5\%$  supply and is guaranteed over the full industrial temperature range of  $-40^{\circ}\text{C}$  to  $+85^{\circ}\text{C}$ . The SY89468U is part of Micrel's high-speed, Precision Edge<sup>®</sup> product line.

All support documentation can be found on Micrel's web site at: [www.micrel.com](http://www.micrel.com).

### Functional Block Diagram



Precision Edge<sup>®</sup>

### Features

- Selects between two inputs, and provides 20 precision LVDS copies
- Fail-Safe Input
  - Prevents outputs from oscillating when input is invalid
- Guaranteed AC performance over temperature and supply voltage:
  - DC to  $>1.5\text{GHz}$  throughput
  - $< 1200\text{ps}$  Propagation Delay (In-to-Q)
  - $< 270\text{ps}$  Rise/Fall times
- Ultra-low jitter design:
  - $< 1\text{ps}_{\text{RMS}}$  random jitter
  - $< 1\text{ps}_{\text{RMS}}$  cycle-to-cycle jitter
  - $< 10\text{ps}_{\text{PP}}$  total jitter (clock)
  - $< 0.7\text{ps}_{\text{RMS}}$  MUX crosstalk induced jitter
- Unique, patented MUX input isolation design minimizes adjacent channel crosstalk
- Unique, patented internal termination and VT pin accepts DC- and AC-coupled inputs (CML, PECL, LVDS)
- Wide input voltage range VCC to GND
- 2.5V  $\pm 5\%$  supply voltage
- $-40^{\circ}\text{C}$  to  $+85^{\circ}\text{C}$  industrial temperature range
- Available in 64-pin EPAD-TQFP package

### Applications

- Fail-safe clock protection
- Ultra-low jitter LVDS clock or data distribution
- Rack-based Telecom/Datacom

### Markets

- LAN/WAN
- Enterprise servers
- ATE
- Test and measurement

Precision Edge is a registered trademark of Micrel, Inc.  
MicroLeadFrame and MLF are registered trademarks of Amkor Technology, Inc.

Micrel Inc. • 2180 Fortune Drive • San Jose, CA 95131 • USA • tel +1 (408) 944-0800 • fax + 1 (408) 474-1000 • <http://www.micrel.com>

November 2008

M9999-110308-D  
[hbwhelp@micrel.com](mailto:hbwhelp@micrel.com) or (408) 955-1690

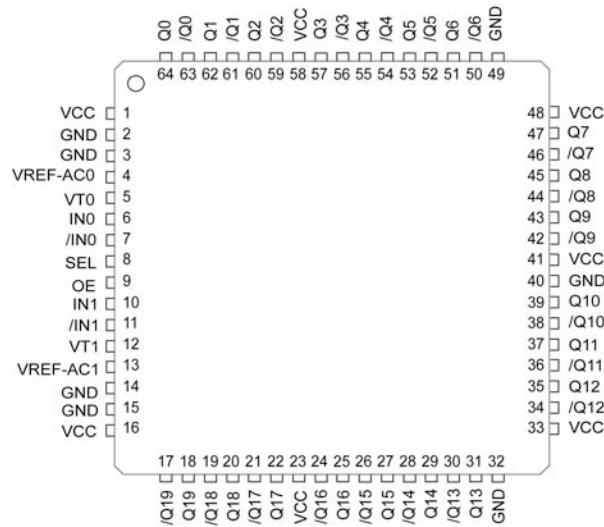
## Ordering Information<sup>(1)</sup>

| Part Number                 | Package Type | Operating Range | Package Marking                            | Lead Finish      |
|-----------------------------|--------------|-----------------|--|------------------|
| SY89468UHY                  | H64-1        | Industrial      | SY89468UHY with Pb-Free bar-line Indicator | Matte-Sn Pb-Free |
| SY89468UHYTR <sup>(2)</sup> | H64-1        | Industrial      | SY89468UHY with Pb-Free bar-line Indicator | Matte-Sn Pb-Free |

**Notes:**

1. Contact factory for die availability. Dice are guaranteed at T<sub>A</sub> = 25°C, DC Electricals Only.
2. Tape and Reel.

## Pin Configuration



**64-Pin EPAD-TQFP (H64-1)**

## Pin Description

| Pin Number   | Pin Name   | Pin Function  |
|--|--|---|
| 1, 16, 23, 33<br>41, 48, 58  | VCC  | Positive Power Supply: Bypass with 0.1 $\mu$ F  0.01 $\mu$ F low ESR capacitors as close to the V <sub>CC</sub> pins as possible.   |
| 64, 63<br>62, 61<br>60, 59<br>57, 56<br>55, 54<br>53, 52<br>51, 50<br>47, 46<br>45, 44<br>43, 42<br>39, 38<br>37, 36<br>35, 34<br>31, 30<br>29, 28<br>27, 26<br>25, 24<br>22, 21<br>20, 19<br>18, 17 | Q0, /Q0<br>Q1, /Q1<br>Q2, /Q2<br>Q3, /Q3<br>Q4, /Q4<br>Q5, /Q5<br>Q6, /Q6<br>Q7, /Q7<br>Q8, /Q8<br>Q9, /Q9<br>Q10, /Q10<br>Q11, /Q11<br>Q12, /Q12<br>Q13, /Q13<br>Q14, /Q14<br>Q15, /Q15<br>Q16, /Q16<br>Q17, /Q17<br>Q18, /Q18<br>Q19, /Q19 | Differential Output Pairs: The output swing is typically 325mV. Used and unused outputs must be terminated with 100 $\Omega$ across the pair (Q, /Q). These differential LVDS outputs are a logic function of the IN0, IN1, and SEL inputs. See "Truth Table" below.  |
| 4, 13  | VREF-AC0<br>VREF-AC1   | Reference Voltage: These outputs bias to V <sub>CC</sub> -1.2V. They are used for AC-coupling inputs IN and /IN. Connect VREF-AC directly to the corresponding VT pin. Bypass with 0.01 $\mu$ F low ESR capacitor to VCC. Due to limited drive capability, each VREF-AC pin is only intended to drive its respective VT pin. Maximum sink/source current is $\pm$ 0.5mA. See "Input Interface Applications" subsection.   |
| 5, 12  | VT0, VT1   | Input Termination Center-Tap: Each side of a differential input pair terminates to the VT pin. The VT pin provides a center-tap for each input (IN, /IN) to a termination network for maximum interface flexibility. See "Input Interface Applications" subsection.   |
| 6, 7<br>10, 11   | IN0, /IN0<br>IN1, /IN1   | Differential Inputs: These input pairs are the differential signal inputs to the device. These inputs accept AC- or DC-coupled signals as small as 100mV. The input pairs internally terminate to a VT pin through 50 $\Omega$ . Each input has level shifting resistors of 3.72k $\Omega$ to VCC. This allows a wide input voltage range from VCC to GND. See Figure 3, Simplified Differential Input Stage for details. Note that when these inputs are left in an open state, the FSI feature will override this input state and provide a valid state at the output. See "Functional Description" subsection. |
| 2, 3, 14, 15,<br>32, 40, 49  | GND,<br>Exposed Pad  | Ground. Exposed pad must be connected to a ground plane that is the same potential as the ground pins.  |
| 9  | OE   | Single-Ended Input: This TTL/CMOS input disables and enables the Q0-Q19 outputs. It is internally connected to a 25k $\Omega$ pull-up resistor and will default to a logic HIGH state if left open. When disabled, Q goes LOW and /Q goes HIGH. OE being synchronous, outputs will be enabled/disabled following a rising and a falling edge of the input clock. V <sub>TH</sub> = V <sub>CC</sub> /2.  |
| 8  | SEL  | Single-Ended Input: This single-ended TTL/CMOS-compatible input selects the inputs to the multiplexer. Note that this input is internally connected to a 25k $\Omega$ pull-up resistor and will default to logic HIGH state if left open. V <sub>TH</sub> = V <sub>CC</sub> /2.   |

## Truth Table

| Inputs |      |     |      |     | Outputs |    |
|--------|------|-----|------|-----|---------|----|
| IN0    | /IN0 | IN1 | /IN1 | SEL | Q       | /Q |
| 0      | 1    | X   | X    | 0   | 0       | 1  |
| 1      | 0    | X   | X    | 0   | 1       | 0  |
| X      | X    | 0   | 1    | 1   | 0       | 1  |
| X      | X    | 1   | 0    | 1   | 1       | 0  |

### Absolute Maximum Ratings<sup>(1)</sup>

Supply Voltage ( $V_{CC}$ ) ..... -0.5V to +4.0V  
 Input Voltage ( $V_{IN}$ ) ..... -0.5V to  $V_{CC}$   
 LVDS Output Current ( $I_{OUT}$ ) .....  $\pm 10$ mA  
 Current ( $V_T$ )  
 Source or sink on  $V_T$  pin .....  $\pm 100$ mA  
 Input Current  
 Source or sink current on (IN, /IN) .....  $\pm 50$ mA  
 Current ( $V_{REF}$ )  
 Source/Sink Current on  $V_{REF-AC}$ <sup>(4)</sup> .....  $\pm 0.5$ mA  
 Maximum operating Junction Temperature ..... 125°C  
 Lead Temperature (soldering, 20 sec.) ..... +260°C  
 Storage Temperature ( $T_s$ ) ..... -65°C to 150°C

### Operating Ratings<sup>(2)</sup>

Supply Voltage ( $V_{CC}$ ) ..... +2.375V to +2.625V  
 Ambient Temperature ( $T_A$ ) ..... -40°C to +85°C  
 Package Thermal Resistance<sup>(3)</sup>  
 TQFP ( $\theta_{JA}$ )  
 Still-Air ..... 35°C/W  
 TQFP ( $\psi_{JB}$ )  
 Junction-to-Board ..... 21°C/W

### DC Electrical Characteristics<sup>(5)</sup>

$T_A = -40^\circ\text{C}$  to  $+85^\circ\text{C}$ , unless otherwise stated.

| Symbol         | Parameter                                 | Condition                  | Min          | Typ          | Max          | Units    |
|----------------|---|----------------------------|--------------|--------------|--------------|----------|
| $V_{CC}$       | Power Supply                              |                            | 2.375        | 2.5          | 2.625        | V        |
| $I_{CC}$       | Power Supply Current                      | No load, max $V_{CC}$      |              | 260          | 365          | mA       |
| $R_{IN}$       | Input Resistance (IN-to- $V_T$ )          |                            | 45           | 50           | 55           | $\Omega$ |
| $R_{DIFF\_IN}$ | Differential Input Resistance (IN-to-/IN) |                            | 90           | 100          | 110          | $\Omega$ |
| $V_{IH}$       | Input High Voltage (IN, /IN)              |                            | 0.1          |              | $V_{CC}$     | V        |
| $V_{IL}$       | Input Low Voltage (IN, /IN)               |                            | 0            |              | $V_{IH}-0.1$ | V        |
| $V_{IN}$       | Input Voltage Swing (IN, /IN)             | See Figure 2a. Note 6.     | 0.1          |              | 1.0          | V        |
| $V_{DIFF\_IN}$ | Differential Input Voltage Swing  IN-/IN  | See Figure 2b.             | 0.2          |              |              | V        |
| $V_{IN\_FSI}$  | Input Voltage Threshold that Triggers FSI |                            |              | 30           | 100          | mV       |
| $V_{REF-AC}$   | Output Reference Voltage                  | $I_{VREF-AC} = \pm 0.5$ mA | $V_{CC}-1.3$ | $V_{CC}-1.2$ | $V_{CC}-1.1$ | V        |
| $V_{T\_IN}$    | Voltage from Input to $V_T$               |                            |              |              | 1.28         | V        |

**Notes:**

1. Permanent device damage may occur if absolute maximum ratings are exceeded. This is a stress rating only and functional operation is not implied at conditions other than those detailed in the operational sections of this data sheet. Exposure to absolute maximum rating conditions for extended periods may affect device reliability.
2. The data sheet limits are not guaranteed if the device is operated beyond the operating ratings.
3. Package thermal resistance assumes exposed pad is soldered (or equivalent) to the devices most negative potential on the PCB.  $\theta_{JA}$  and  $\psi_{JB}$  values are determined for a 4-layer board in still air unless otherwise stated.
4. Due to limited drive capability use for input of the same package only.
5. The circuit is designed to meet the DC specifications shown in the above table after thermal equilibrium has been established.
6.  $V_{IN}$  (max) is specified when  $V_T$  is floating.

## LVDS Outputs DC Electrical Characteristics<sup>(7)</sup>

$V_{CC} = +2.5V \pm 5\%$ ,  $R_L = 100\Omega$  across the outputs;  $T_A = -40^\circ C$  to  $+85^\circ C$ , unless otherwise stated.

| Symbol           | Parameter                                 | Condition     | Min   | Typ  | Max   | Units |
|------------------|---|---------------|-------|------|-------|-------|
| $V_{OUT}$        | Output Voltage Swing (Q, /Q)              | See Figure 2a | 250   | 325  |       | mV    |
| $V_{DIFF\_OUT}$  | Differential Output Voltage Swing  Q - /Q | See Figure 2b | 500   | 650  |       | mV    |
| $V_{OCM}$        | Output Common Mode Voltage (Q, /Q)        | See Figure 5a | 1.125 | 1.20 | 1.275 | V     |
| $\Delta V_{OCM}$ | Change in Common Mode Voltage (Q, /Q)     | See Figure 5b | -50   |      | +50   | mV    |

## LVTTL/CMOS DC Electrical Characteristics<sup>(7)</sup>

$V_{CC} = 2.5V \pm 5\%$ ;  $T_A = -40^\circ C$  to  $+85^\circ C$ , unless otherwise stated.

| Symbol   | Parameter          | Condition | Min  | Typ | Max | Units   |
|----------|--------------------|-----------|------|-----|-----|---------|
| $V_{IH}$ | Input HIGH Voltage |           | 2.0  |     |     | V       |
| $V_{IL}$ | Input LOW Voltage  |           |      |     | 0.8 | V       |
| $I_{IH}$ | Input HIGH Current |           | -125 |     | 30  | $\mu A$ |
| $I_{IL}$ | Input LOW Current  |           | -300 |     |     | $\mu A$ |

**Note:**

7. The circuit is designed to meet the DC specifications shown in the above table after thermal equilibrium has been established.

**AC Electrical Characteristics<sup>(8)</sup>**

$V_{CC} = +2.5V \pm 5\%$ ,  $R_L = 100\_\_$  across the outputs;  $T_A = -40^\circ C$  to  $+85^\circ C$ , unless otherwise stated.

| Symbol       | Parameter                          | Condition                               | Min     | Typ | Max  | Units             |
|--------------|------------------------------------|---|---------|-----|------|-------------------|
| $f_{MAX}$    | Maximum Operating Frequency        | $V_{OUT} \geq 200mV$                    | 1.0     | 1.5 |      | GHz               |
| $t_{pd}$     | Differential Propagation Delay     |   |         |     |      |                   |
|              | IN-to-Q                            | $100mV \leq V_{IN} \leq 200mV$ , Note 9 | 600     | 810 | 1200 | ps                |
|              | IN-to-Q                            | $200mV \leq V_{IN} \leq 800mV$ , Note 9 | 500     | 720 | 1100 | ps                |
|              | SEL-to-Q                           | $V_{TH} = V_{CC}/2$                     | 350     | 580 | 850  | ps                |
| $t_S$ OE     | Set-up Time                        | OE-to-IN                                | Note 10 |     |      | ps                |
| $t_H$ OE     | Hold Time                          | IN-to-OE                                | Note 10 |     |      | ps                |
| $t_{SKEW}$   | Output-to-Output Skew              | Note 11                                 |         | 15  | 40   | ps                |
|              | Input-to-Input Skew                | Note 12                                 |         | 5   | 25   | ps                |
|              | Part-to-Part Skew                  | Note 13                                 |         |     | 300  | ps                |
| $t_{JITTER}$ | Clock                              |   |         |     |      |                   |
|              | Random Jitter                      | Note 14                                 |         |     | 1    | ps <sub>RMS</sub> |
|              | Cycle-to-Cycle Jitter              | Note 15                                 |         |     | 1    | ps <sub>RMS</sub> |
|              | Total Jitter                       | Note 16                                 |         |     | 10   | ps <sub>PP</sub>  |
|              | Crosstalk-Induced Jitter           | Note 17                                 |         |     | 0.7  | ps <sub>RMS</sub> |
| $t_r, t_f$   | Output Rise/Fall Time (20% to 80%) | At full output swing.                   | 90      |     | 270  | ps                |
|              | Duty Cycle                         | $V_{IN} > 200mV$                        | 47      |     | 53   | %                 |
|              |                                    | $100mV \leq V_{IN} \leq 200mV$          | 45      |     | 55   | %                 |

**Notes:**

8. High-frequency AC-parameters are guaranteed by design and characterization.
9. Propagation delay is measured with input  $t_r, t_f \leq 300ps$  (20% to 80%). The propagation delay is a function of the rise and fall times at IN. See "Typical Operating Characteristics" for details.
10. Set-up and hold times apply to synchronous applications that intend to enable/disable before the next clock cycle. For asynchronous applications, set-up and hold do not apply.
11. Output-to-Output skew is measured between two different outputs under identical transitions.
12. Input-to-Input skew is the time difference between the two inputs to one output, under identical input transitions.
13. Part-to-Part skew is defined for two parts with identical power supply voltages at the same temperature and with no skew of the edges at the respective inputs.
14. Random Jitter is measured with a K28.7 character pattern, measured at  $<f_{MAX}$ .
15. Cycle-to-Cycle Jitter definition: the variation of periods between adjacent cycles,  $T_n - T_{n-1}$  where T is the time between rising edges of the output signal.
16. Total Jitter definition: with an ideal clock input of frequency  $<f_{MAX}$ , no more than one output edge in  $10^{12}$  output edges will deviate by more than the specified peak-to-peak jitter value.
17. Crosstalk is measured at the output while applying two similar differential clock frequencies that are asynchronous with respect to each other at the inputs.

## Functional Description

### Clock Select (SEL)

SEL is an asynchronous TTL/CMOS compatible input that selects one of the two input signals. An internal 25k $\Omega$  pull-up resistor defaults the input to logic HIGH if left open. Input switching threshold is  $V_{CC}/2$ . Refer to Figure 1a.

### Fail-Safe Input (FSI)

The input includes a special fail-safe circuit to sense the amplitude of the input signal and to latch the outputs when there is no input signal present or when the amplitude of the input signal drops sufficiently below 100mV<sub>PK</sub>, typically 30mV<sub>PK</sub>. Refer to Figure 1b.

### Input Clock Failure Case

If the input clock fails to a floating, static, or extremely low signal swing such that the voltage across the input pair is significantly less than 100mV, FSI

function will eliminate a metastable condition and latch the outputs to the last valid state. No ringing and no undetermined state will occur at the output under these conditions. The output recovers to normal operation once the input signal returns to a valid state with a typical swing greater than 30mV.

Note that the FSI function will not prevent duty cycle distortion in case of a slowly deteriorating (but still toggling) input signal. Due to the FSI function, the propagation delay will depend on the rise and fall time of the input signal and on its amplitude.

### Output Enable (OE)

OE is a synchronous TTL/CMOS-compatible input that enables/disables the outputs based upon the input to this pin. The enable function is synchronous so that the clock outputs will be enabled or disabled following a rising and a falling edge of the input clock. Refer to Figure 1c. Internal 25k $\Omega$  pull-up resistor defaults the input to logic HIGH if left open. Input switching threshold is  $V_{CC}/2$ .

### Timing Diagrams

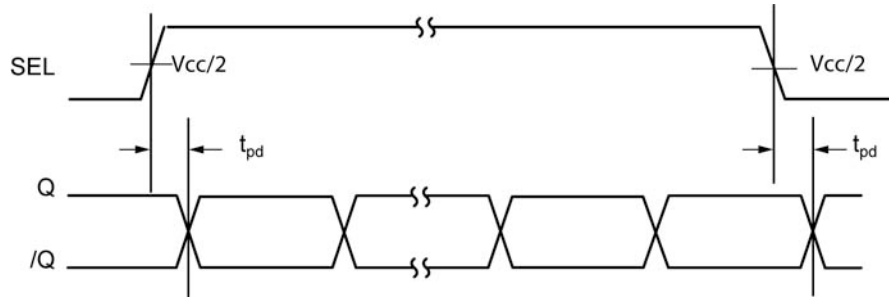


Figure 1a. SEL-to-Q Delay

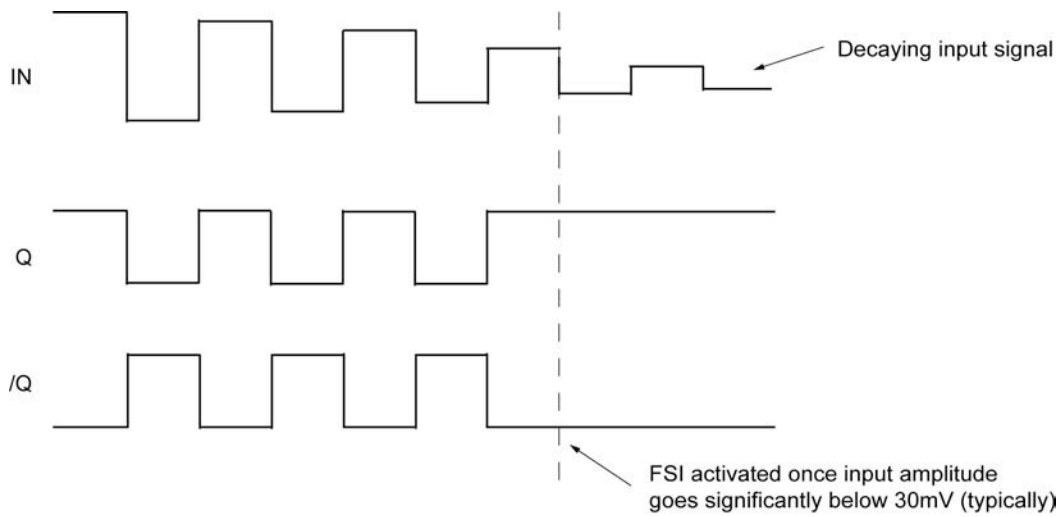


Figure 1b. Fail-Safe Feature



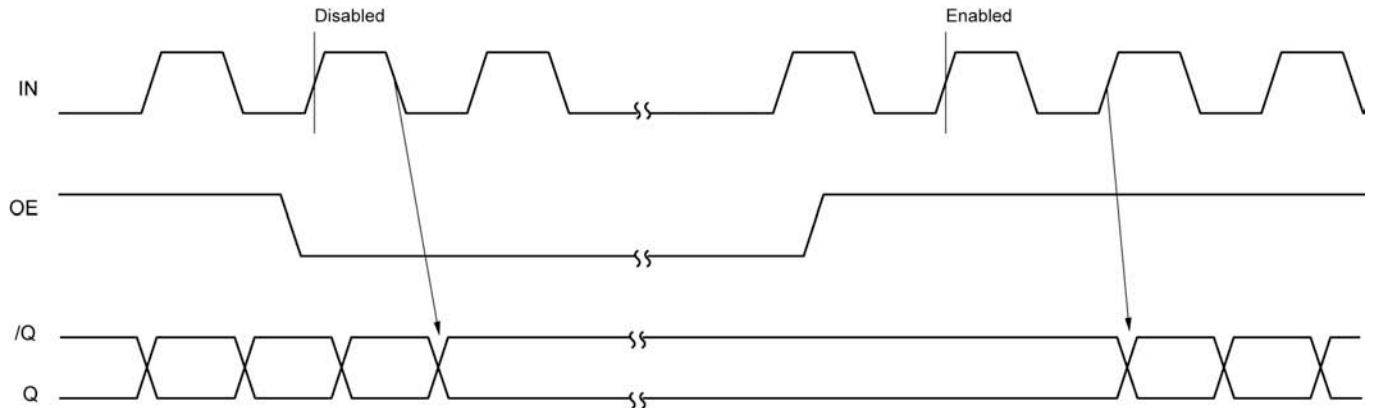


Figure 1c. Enable Output Timing Diagram

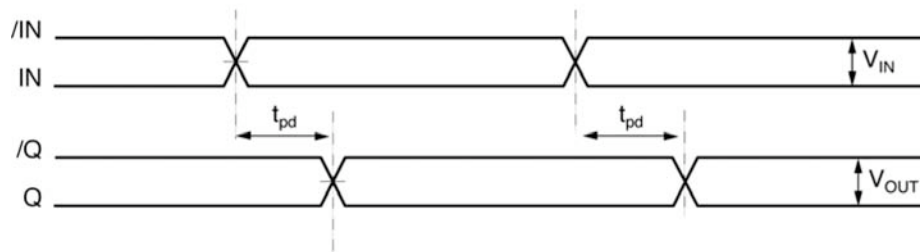


Figure 1d. Propagation Delay

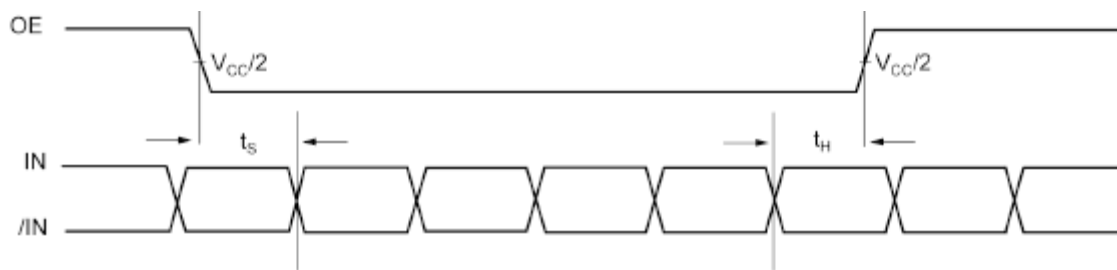
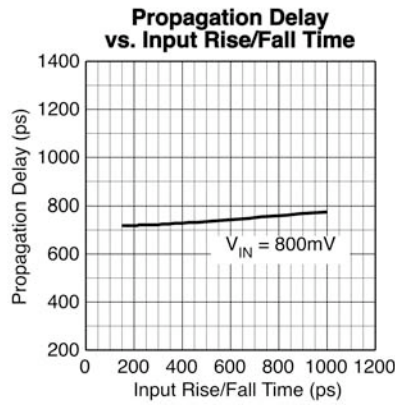
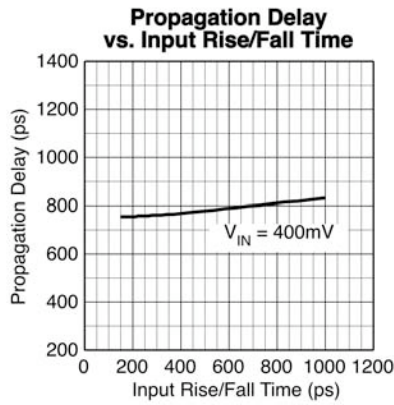
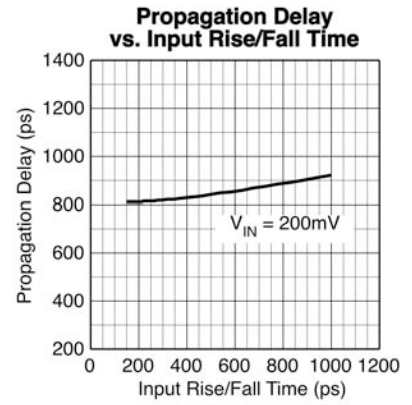
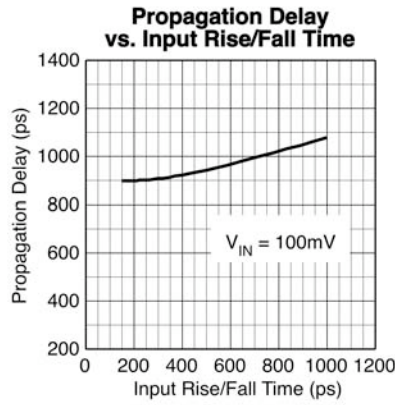
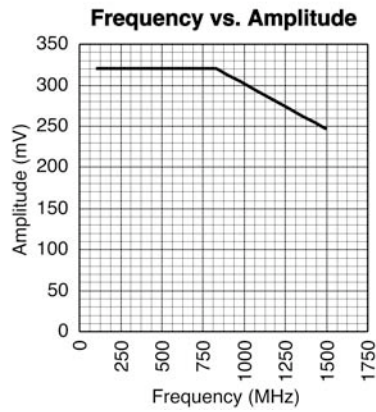


Figure 1e. Setup and Hold Time

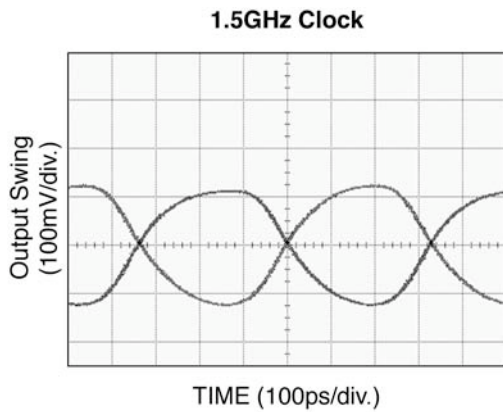
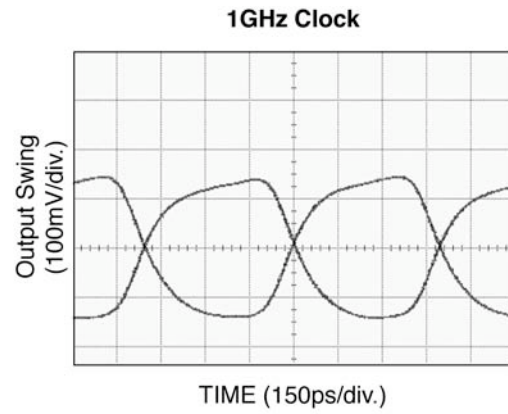
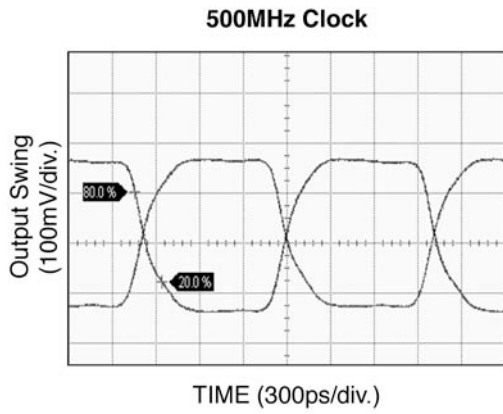
## Typical Operating Characteristics

$V_{CC} = 2.5V$ ,  $GND = 0V$ ,  $V_{IN} = 200mV$ ,  $R_L = 100\Omega$  across the outputs;  $T_A = 25^\circ C$ , unless otherwise stated.



### Functional Characteristics

$V_{CC} = 2.5V$ ,  $GND = 0V$ ,  $V_{IN} = 200mV$ ,  $R_L = 100\Omega$  across the outputs;  $T_A = 25^\circ C$ , unless otherwise stated.



## Single-Ended and Differential Swings



Figure 2a. Single-Ended Voltage Swing

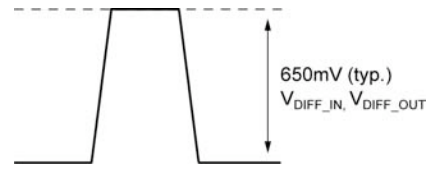


Figure 2b. Differential Voltage Swing

## Input Stage

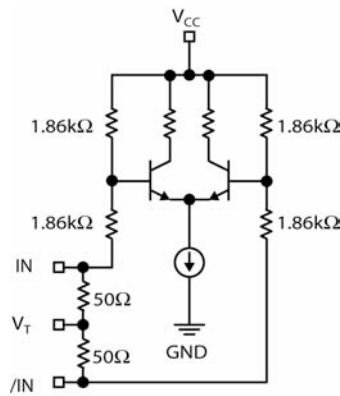


Figure 3. Simplified Differential Input Stage

## Input Interface Applications

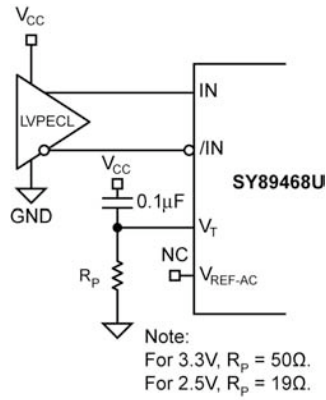


Figure 4a. LVPECL Interface (DC-Coupled)

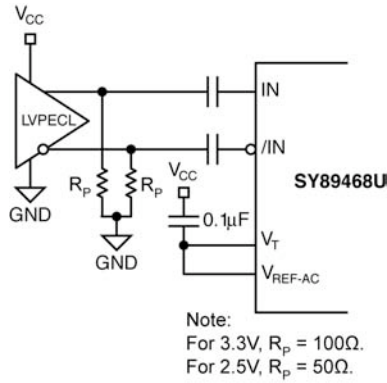
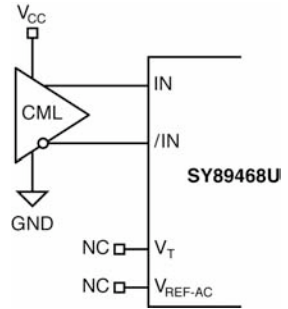


Figure 4b. LVPECL Interface (AC-Coupled)



Option: may connect  $V_T$  to  $V_{CC}$

Figure 4c. CML Interface (DC-Coupled)

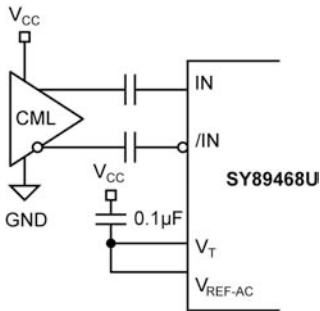


Figure 4d. CML Interface (AC-Coupled)

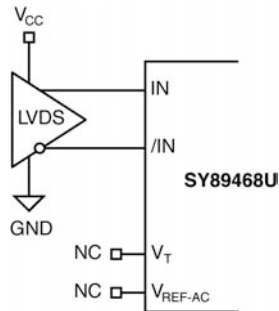


Figure 4e. LVDS Interface (DC-Coupled)

### LVDS Output Interface Applications

LVDS specifies a small swing of 325mV typical, on a nominal 1.2V common mode above ground. The common mode voltage has tight limits to permit large variations in the ground between an LVDS driver and receiver. Also, change in common mode voltage, as a function of data input, is kept to a minimum, to keep EMI low.

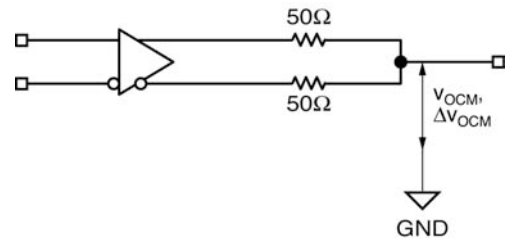


Figure 5b. LVDS Common Mode Measurement

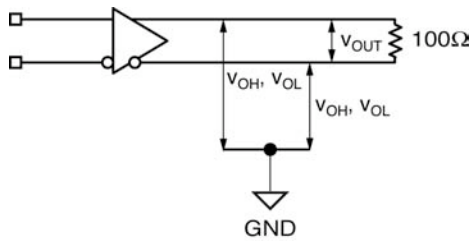
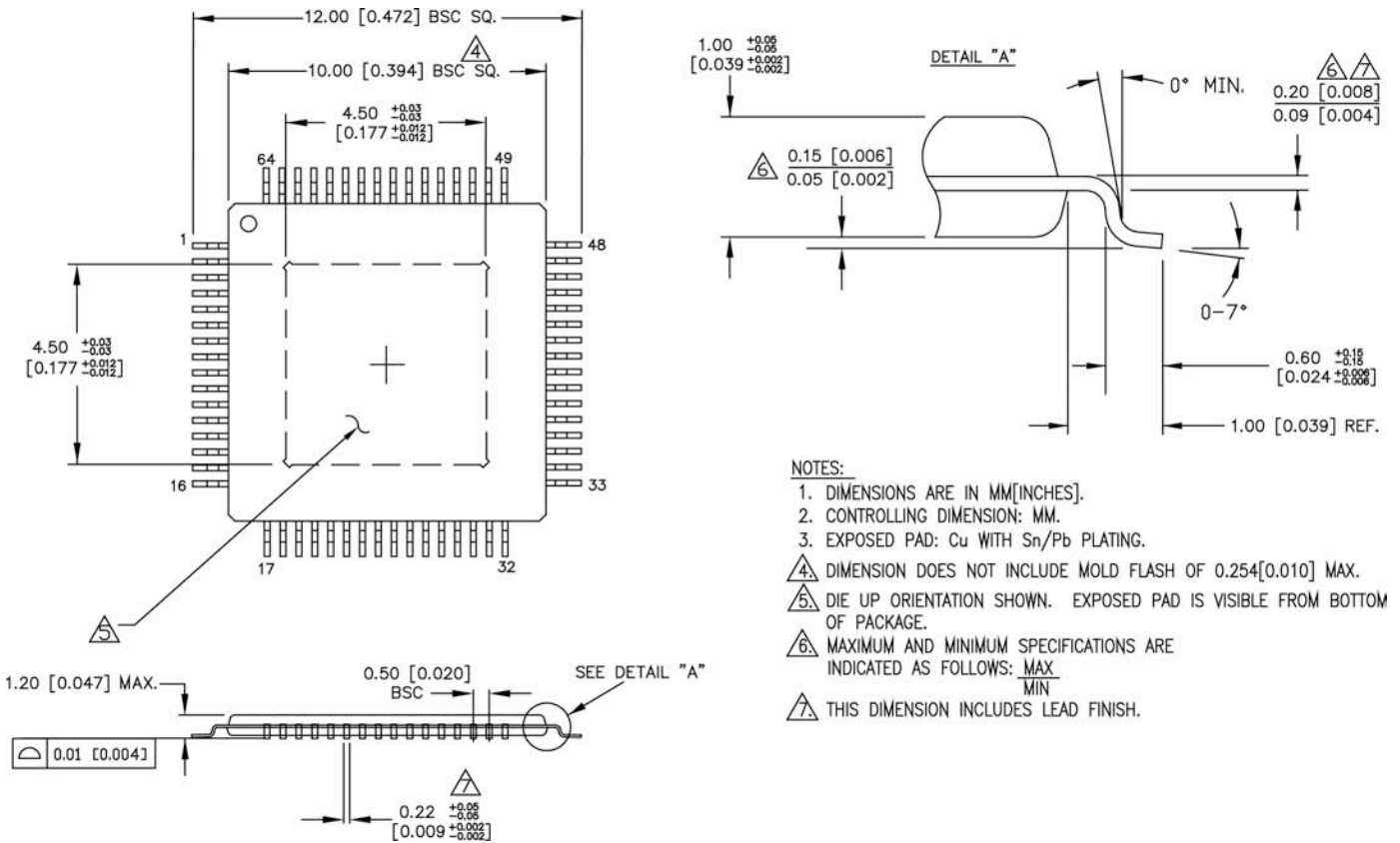


Figure 5a. LVDS Differential Measurement

### Related Product and Support Documentation

| Part Number   | Function  | Data Sheet Link  |
|---------------|---|--|
| SY89467U      | Precision LVPECL 1:20 Fanout MUX with 2:1 MUX and internal termination with Fail Safe Input | <a href="http://www.micrel.com/_PDF/HBW/sy89467u.pdf">http://www.micrel.com/_PDF/HBW/sy89467u.pdf</a>                          |
|               | MLF <sup>®</sup> Application Note   | <a href="http://www.amkor.com/products/notes_papers/MLFAppNote.pdf">www.amkor.com/products/notes_papers/MLFAppNote.pdf</a>     |
| HBW Solutions | New Products and Applications   | <a href="http://www.micrel.com/product-info/products/solutions.shtml">www.micrel.com/product-info/products/solutions.shtml</a> |

**Package Information**



**64-Pin EPAD-TQFP (H64-1)**

**Packages Notes:**

1. Package meets Level 2 Moisture Sensitivity Classification.
2. All parts are dry-packed before shipment.
3. Exposed pad must be soldered to a ground for proper thermal management.

**MICREL, INC. 2180 FORTUNE DRIVE SAN JOSE, CA 95131 USA**  
 TEL +1 (408) 944-0800 FAX +1 (408) 474-1000 WEB <http://www.micrel.com>

The information furnished by Micrel in this data sheet is believed to be accurate and reliable. However, no responsibility is assumed by Micrel for its use. Micrel reserves the right to change circuitry and specifications at any time without notification to the customer.

Micrel Products are not designed or authorized for use as components in life support appliances, devices or systems where malfunction of a product can reasonably be expected to result in personal injury. Life support devices or systems are devices or systems that (a) are intended for surgical implant into the body or (b) support or sustain life, and whose failure to perform can be reasonably expected to result in a significant injury to the user. A Purchaser's use or sale of Micrel Products for use in life support appliances, devices or systems is a Purchaser's own risk and Purchaser agrees to fully indemnify Micrel for any damages resulting from such use or sale.

Компания «Океан Электроники» предлагает заключение долгосрочных отношений при поставках импортных электронных компонентов на взаимовыгодных условиях!

Наши преимущества:

- Поставка оригинальных импортных электронных компонентов напрямую с производств Америки, Европы и Азии, а так же с крупнейших складов мира;
- Широкая линейка поставок активных и пассивных импортных электронных компонентов (более 30 млн. наименований);
- Поставка сложных, дефицитных, либо снятых с производства позиций;
- Оперативные сроки поставки под заказ (от 5 рабочих дней);
- Экспресс доставка в любую точку России;
- Помощь Конструкторского Отдела и консультации квалифицированных инженеров;
- Техническая поддержка проекта, помощь в подборе аналогов, поставка прототипов;
- Поставка электронных компонентов под контролем ВП;
- Система менеджмента качества сертифицирована по Международному стандарту ISO 9001;
- При необходимости вся продукция военного и аэрокосмического назначения проходит испытания и сертификацию в лаборатории (по согласованию с заказчиком);
- Поставка специализированных компонентов военного и аэрокосмического уровня качества (Xilinx, Altera, Analog Devices, Intersil, Interpoint, Microsemi, Actel, Aeroflex, Peregrine, VPT, Syfer, Eurofarad, Texas Instruments, MS Kennedy, Miteq, Cobham, E2V, MA-COM, Hittite, Mini-Circuits, General Dynamics и др.);

Компания «Океан Электроники» является официальным дистрибьютором и эксклюзивным представителем в России одного из крупнейших производителей разъемов военного и аэрокосмического назначения «JONHON», а так же официальным дистрибьютором и эксклюзивным представителем в России производителя высокотехнологичных и надежных решений для передачи СВЧ сигналов «FORSTAR».



## JONHON

«JONHON» (основан в 1970 г.)

Разъемы специального, военного и аэрокосмического назначения:

(Применяются в военной, авиационной, аэрокосмической, морской, железнодорожной, горно- и нефтедобывающей отраслях промышленности)

«FORSTAR» (основан в 1998 г.)

ВЧ соединители, коаксиальные кабели, кабельные сборки и микроволновые компоненты:

(Применяются в телекоммуникациях гражданского и специального назначения, в средствах связи, РЛС, а так же военной, авиационной и аэрокосмической отраслях промышленности).



Телефон: 8 (812) 309-75-97 (многоканальный)

Факс: 8 (812) 320-03-32

Электронная почта: [ocean@oceanchips.ru](mailto:ocean@oceanchips.ru)

Web: <http://oceanchips.ru/>

Адрес: 198099, г. Санкт-Петербург, ул. Калинина, д. 2, корп. 4, лит. А