

XDPL8220 Digital PFC+Flyback Controller IC

XDP™ Digital Power

Data Sheet

Revision 1.0

Quality Requirement Category: Industrial

Features

- Universal AC input (90 - 305 VAC) or DC input (90 - 305 VDC)
- Applicable power range of 20 W to 150 W
- Small number of external parts optimizes **Bill of Materials (BOM)** and form factor
- High efficiency (> 90%)
- Multicontrol mode (**Constant Current (CC)/Constant Voltage (CV)/Limited Power (LP)**) reduces required product variety
- Important parameters can be configured after manufacturing
- Low harmonic distortion (**Total Harmonic Distortion (THD)** < 15%)
- Low output ripple current
- Integrated startup cell ensures fast time to light (< 250 ms)
- Adaptive Temperature Protection
- Ambient operating temperature -40 °C to 85 °C
- Automatic switching between **Quasi-Resonant Mode (QRM)** and **Discontinuous Conduction Mode (DCM)**
- Wide output voltage range
- **Pulse Width Modulation (PWM)** dimming control
- Output dimming by analog reduction of driving current down to 5%

For safe operation, the XDPL8220 contains a comprehensive set of protection features:

- Output overvoltage protection (open load)
- Output undervoltage protection (output short)
- VCC over- and undervoltage lockout
- Input over- and undervoltage protection
- Bus over- and undervoltage protection
- Overcurrent protection for **Power Factor Correction (PFC)** and **Flyback (FB)** stage

Applications

- Integrated **Electronic Control Gear (ECG)** for **Light Emitting Diode (LED)** luminaires

Description

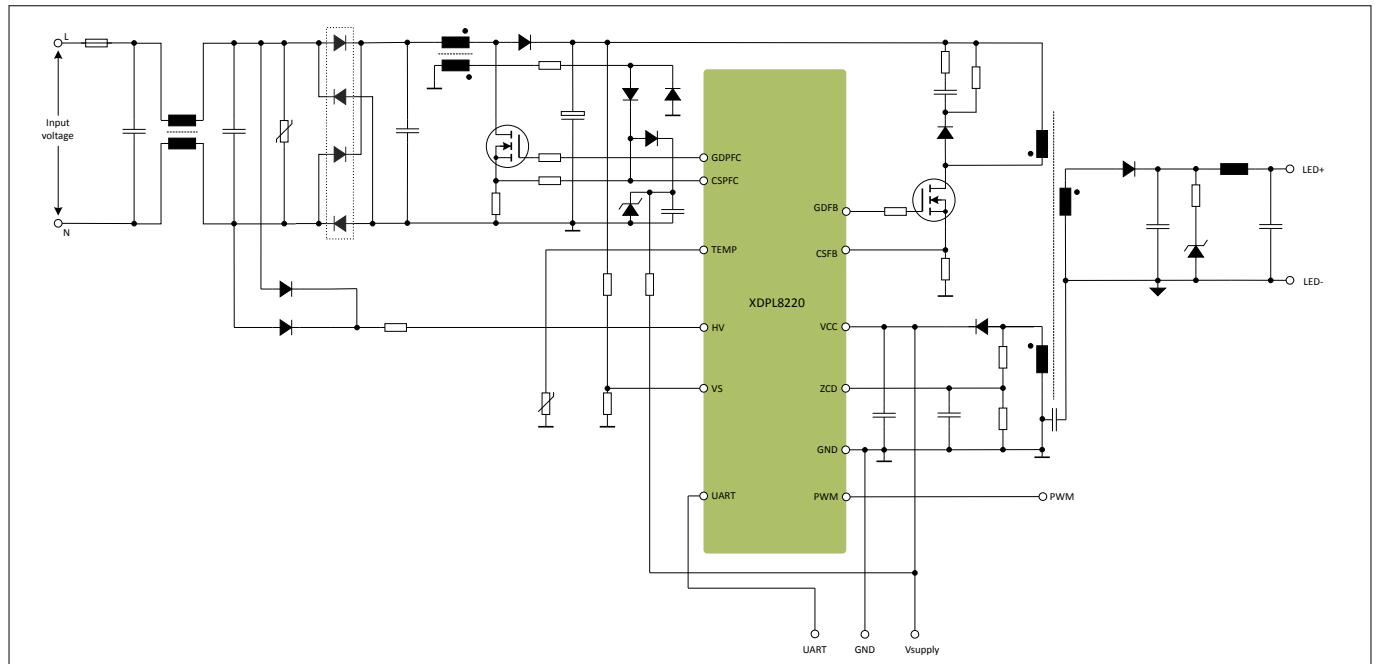


Figure 1 Typical Application for XDPL8220

Product Type	Package
XDPL8220	PG-DSO-16

Description

XDPL8220 is a highly integrated next-generation device combining a boundary mode **PFC** plus a quasi-resonant **FB** controller with primary-side regulation. The integration of these functions enables saving of external parts and optimizes performance by harmonized operation of the two stages.

XDPL8220 uses a constant on-time scheme with a **THD** improvement algorithm to provide a high power factor and excellent **THD** performance.

With its unique control scheme of **CV**, **CC** and **LP**, the **LED** driver designer is provided with a large degree of flexibility and can utilize the system hardware to its limits.

The on-chip **One Time Programmable Memory (OTP)** memory has an area for parameters that control the behavior of the circuit, e. g. the output current or the maximum output power. This enables the user of the device to create a platform concept with significantly fewer different hardware versions while still covering the same application range.

The two-stage approach reduces any variation in the output current (flicker) to a non-visible level. By separating the **PFC** from the power conversion part (**FB**), both stages operate in a more stable manner and require fewer margins, which has a positive influence on the cost.

Lighting requires more and more 24/7 operation, making it necessary to have a stand-by mode with short wake-up times and low power consumption. The power consumption of less than 100 mW of the XDPL8220-based systems defines the new standard for stand-by power in lighting **ECGs**.

XDPL8220 enables adaptive temperature protection using either the internal sensor or an external **Negative Temperature Coefficient Thermistor (NTC)**, or both.

Futureproof flexibility with application-oriented programmable operating windows enables management of **LED** generations and portfolio complexity .

Table of contents

Table of contents

	Features	1
	Applications	1
	Description	2
	Table of contents	3
1	Functional Block Diagram	5
2	Pin Configuration	6
3	Functional Description	8
3.1	PFC Controller Features	9
3.1.1	Shared CS/ZCD Function	9
3.1.2	Quasi-resonant Mode	9
3.1.3	Bus Voltage Sensing	10
3.1.4	Input Voltage Sensing	11
3.1.5	Control Scheme	12
3.1.5.1	Startup	12
3.1.6	Multimode Control Scheme	13
3.1.6.1	Frequency Law	13
3.1.6.2	THD Optimization	14
3.1.7	Peak Current Limitation	14
3.1.8	Bus Undervoltage Protection	14
3.1.9	Bus Overvoltage Protection	15
3.1.10	Input Undervoltage Protection	15
3.1.11	Input Overvoltage Protection	15
3.1.12	Other PFC Protections	16
3.2	Flyback Controller Features	17
3.2.1	Primary Side Regulation	17
3.2.1.1	Primary Side Current Sensing	18
3.2.1.2	Primary Side Output Voltage Sensing	19
3.2.1.3	Flyback Bus Voltage Sensing	20
3.2.1.4	Output Current Calculation	20
3.2.1.5	Output Control Scheme	21
3.2.1.6	Multimode Scheme	22
3.2.2	Flyback Startup	23
3.2.3	Protection Features	24
3.2.3.1	Primary Overcurrent Protection	24
3.2.3.2	Output Undervoltage Protection	24
3.2.3.3	Output Overvoltage Protection	24
3.2.3.4	Output Overcurrent Protection	25
3.2.3.5	Output Overpower Protection	25

Table of contents

3.2.3.6	Other Flyback Protections	25
3.3	General Controller Features	26
3.3.1	External Temperature Sensing	26
3.3.2	Adaptive Temperature Protection	26
3.3.3	PWM Dimming Interface	27
3.3.4	Protection Features	28
3.3.4.1	Overtemperature Protection	28
3.3.4.2	VCC Undervoltage Protection	29
3.3.4.3	VCC Overvoltage Protection	29
3.3.4.4	Other General Controller Protections	29
3.3.5	Protection Reactions	29
3.3.5.1	Auto restart	30
3.3.5.2	Fast Auto Restart	30
3.3.5.3	Latch Mode	31
3.3.5.4	Stop Mode	31
4	Design Support	32
4.1	Design Procedure	32
4.2	List of Configurable Parameters	32
4.3	List of Fixed Parameters	39
5	Electrical Characteristics and Parameters	40
5.1	Package Characteristics	40
5.2	Absolute Maximum Ratings	40
5.3	Operating Conditions	41
5.4	DC Electrical Characteristics	42
6	Package Dimensions	55
7	References	56
	Abbreviations	56
	Revision History	59
	Trademarks	60

Functional Block Diagram

1 Functional Block Diagram

The functional block diagram shows the basic data flow from input pins via signal processing to the output pins.

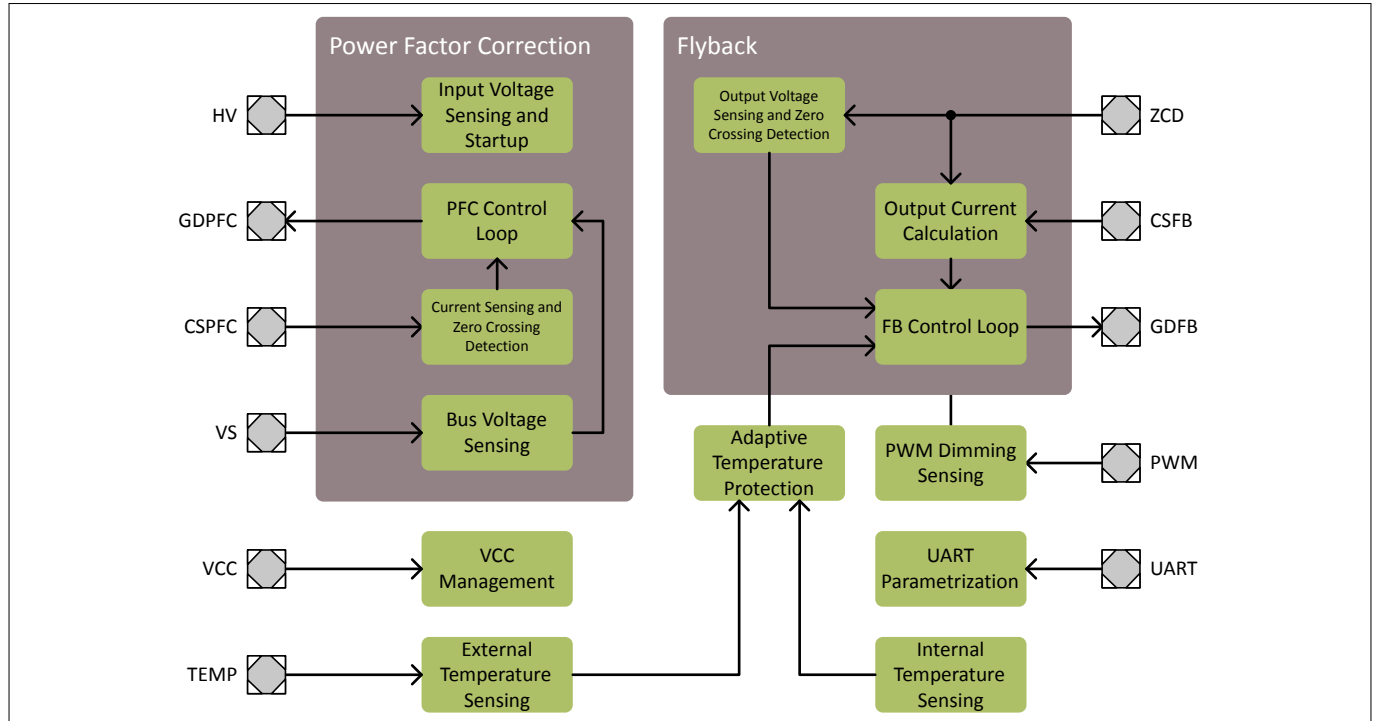


Figure 2 XDPL8220 Simplified Functional Block Diagram

Pin Configuration

2 Pin Configuration

Pin assignments and basic pin description information are shown below.

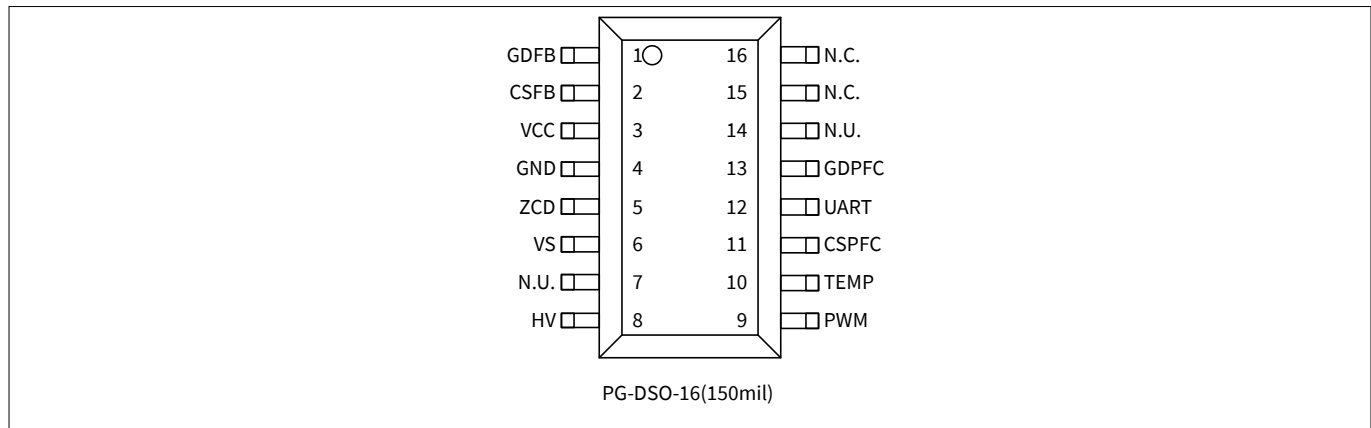


Figure 3 Pinning of XDPL8220

Table 1 Pin Definitions and Functions

Name	Pin	Type	Function
GDFB	1	O	Gate driver for FB : The GDFB pin is an output for directly driving a power MOSFET of the FB stage.
CSFB	2	I	Current sensing for FB : The CSFB pin is connected to an external shunt resistor and the source of the power MOSFET of the FB stage.
VCC	3	I	Voltage supply
GND	4	-	Power and signal ground
ZCD	5	I	Zero-crossing detection of the FB : The ZCD pin is connected to an auxiliary winding of the FB stage for zero-crossing detection as well as primary-side output voltage and backup bus voltage sensing for safety.
VS	6	I	Bus voltage sensing
N.U.	7	-	Not used. Externally to be connected to GND.
HV	8	I	High voltage: The HV pin is connected to the rectified input voltage via an external resistor. An internal 600 V HV startup-cell is used to initially charge VCC. In addition, sampled high-voltage sensing is also used for synchronization with the input frequency.
PWM	9	I	PWM dimming: The PWM pin is used as a dimming input.
TEMP	10	I	External temperature sensor: Measurement of external temperature using an NTC .
CSPFC	11	I	Current sensing for PFC : The CSPFC pin is connected to an external shunt resistor and the source of the power MOSFET of the PFC stage.

Pin Configuration

Table 1 Pin Definitions and Functions (continued)

Name	Pin	Type	Function
UART	12	I/O	<i>Universal Asynchronous Receiver Transmitter (UART)</i> communication: The UART pin is used for the <i>UART</i> interface to support parameterization.
GDPFC	13	O	Gate driver for <i>PFC</i> : The GDPFC pin is an output for directly driving a power MOSFET of the <i>PFC</i> stage.
N.U.	14	-	Not used. Externally to be connected to GND.
N.C.	15	-	Not connected.
N.C.	16	-	Not connected.

3 Functional Description

This chapter provides a summary of the integrated functions and features, and describes the relationships between them. The parameters and equations are based on typical values at $T_A = 25\text{ }^\circ\text{C}$.

XDPL8220 is a digital dual-stage **PFC** and **FB** controller IC supporting **PWM** dimming functionality. Both stages use configurable multimode operation to select the best mode of operation for every operation condition. Multimode operation automatically switches between **Quasi-Resonant Mode, switching in valley n (QRMn)** and **DCM**.

XDPL8220 features a comprehensive set of configurable protection modes to detect fault conditions.

XDPL8220 provides a high degree of flexibility in design-in of the application. A **Graphic User Interface (GUI)** tool supports users in the configuration of the operational and protection parameters.

Functional Description

3.1 PFC Controller Features

The **PFC** stage ensures high power quality by maximizing the power factor and minimizing harmonic distortion.

The **PFC** stage operates in **Quasi-Resonant Mode, switching in valley 1 (QRM1)** and **QRMn**, to support low load conditions and ensure efficient operation.

The **PFC** stage is implemented as a boost converter. It drains a sinusoidal current from the single-phase line supply and provides stabilized **Direct Current (DC)** voltage at the internal bus voltage rail. The power factor of the single-phase line supply is almost one. Fluctuations in line voltage as well as voltage drops of short duration are compensated.

3.1.1 Shared CS/ZCD Function

The **PFC** stage makes use of combined CS/ZCD functionality at the CSPFC pin.

During the gate driver on-time the pin acts as a current sense (CS), while during the gate driver off-time the pin acts as a zero-crossing-detector (ZCD). The CS senses the on-time current and implements overcurrent limitation; the ZCD exploits the quasi-resonant function to minimize conduction losses.

The CSPFC pin is connected via a resistor divider composed of $R_{ZCD,1,PFC}$ and $R_{ZCD,2,PFC}$ and a set of diodes to an auxiliary winding of the **PFC** choke inductor. It is used for detecting the valleys of the quasi-resonant oscillation to turn on the **PFC** MOSFET based on the desired valley computed by the multimode **PFC** control. The diode D_1 allows positive voltage at the CSPFC pin as the valley detection is implemented by the internal hysteretic comparator with a positive reference of nominal THR_{HYS} for falling edges. The CSPFC pin senses the drain source current of the switching MOSFET. The CS voltage is measured after a programmable blanking time after turn-on of the switch. An appropriate current sensing resistor $R_{CS,PFC}$ is selected on the basis of the maximum current flowing in the switching MOSFET and the dynamic voltage range of the input pin CSPFC.

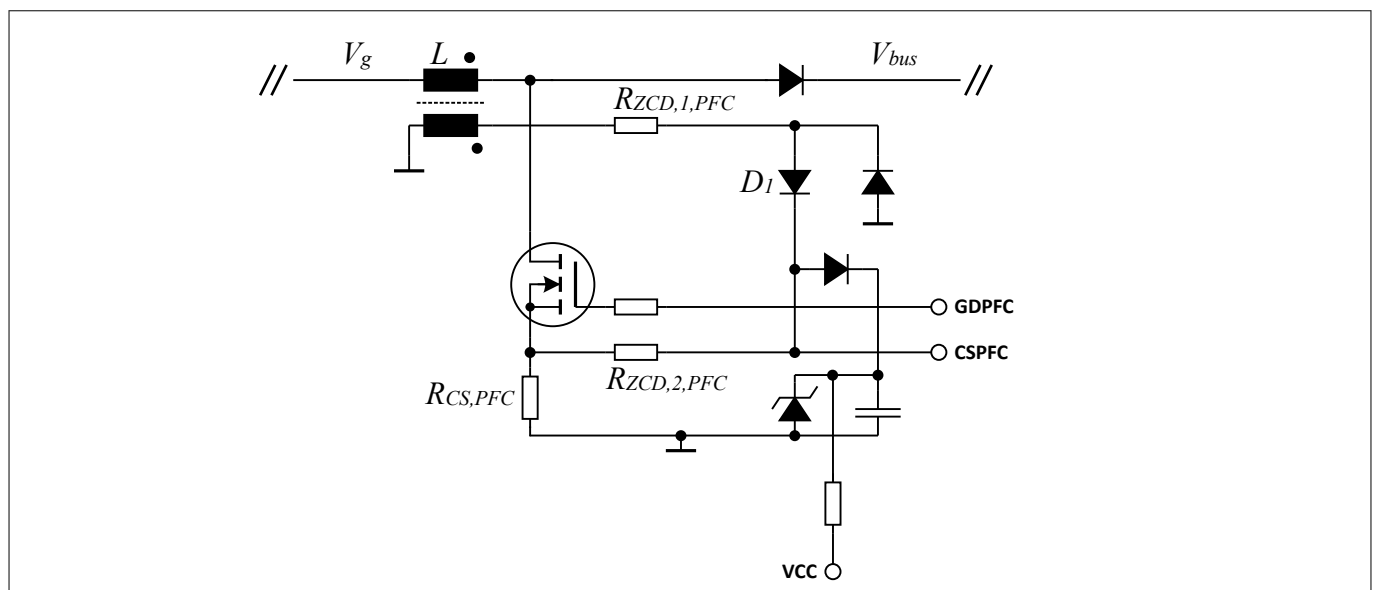


Figure 4 Shared CS/ZCD Schematic

3.1.2 Quasi-resonant Mode

The quasi-resonant mode maintains a high efficiency level.

For **PFC** operating in **QRM1**, the main switch is turned on with a constant on-time for a line and load condition, while the off-time/demagnetization time varies within an **Alternating Current (AC)** half-cycle depending on the instantaneously rectified **AC** input voltage V_g . Subsequently, the switching frequency varies within each **AC** half-cycle with the lowest switching frequency at the peak of the **AC** input voltage and the highest switching frequency near the zero crossings of the input voltage. A new switching cycle starts immediately when the first QR valley is reached.

Functional Description

QRM1 is ideal for full-load operation, where the on-time is large. However, the on-time reduces at light loads, resulting in very high switching frequencies, particularly near the zero crossings of the input voltage. The high switching frequency will increase switching losses, resulting in poor efficiency at light loads. The **PFC** multimode control can lower the switching frequency by selecting further valleys to achieve **QRM2** up to $N_{\text{valley,max,PFC}}$ operation. The switching frequency is limited within a defined range and the efficiency at light loads improves.

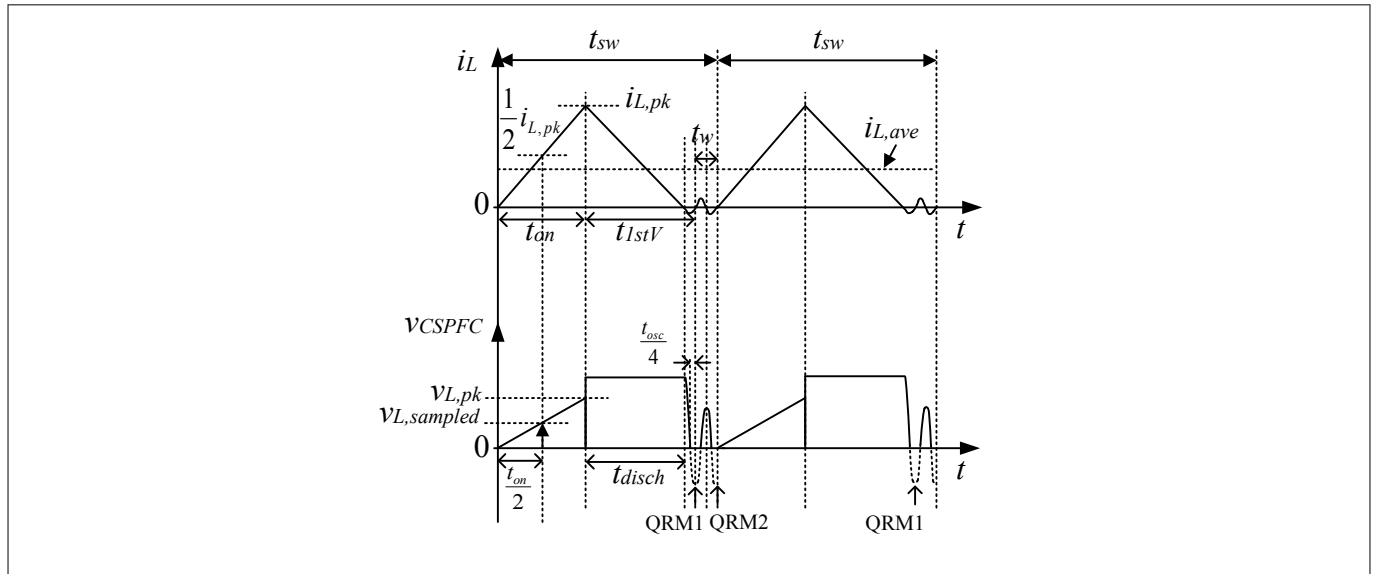


Figure 5 PFC QRM2 Waveforms

The equations for the quasi-resonant operation are shown below, where t_w is an additional delay in each switching cycle when selecting subsequent valleys after the first QR valley and n is the valley number in **QRMn**.

$$\begin{aligned}
 i_{L,pk} &= \frac{V_g \cdot t_{on}}{L} \\
 t_{disch} &= \frac{i_{L,pk} \cdot L}{V_{bus} - V_g} \\
 t_{1stV} &= t_{disch} + t_{osc}/2 \\
 t_w &= t_{osc} \cdot (n - 1) \\
 t_{sw} &= t_{on} + t_{1stV} + t_w \\
 t_{off} &= t_{1stV} + t_w
 \end{aligned}$$

Equation 1

3.1.3 Bus Voltage Sensing

The bus voltage is measured at the VS pin.

The VS pin implements **PFC** bus voltage sensing for bus voltage regulation. The bus voltage is scaled down using a simple resistor divider. A capacitor could in certain cases be added at the pin to ground to filter high-frequency switching noise. The bus voltage sensing is a low leakage input and no additional measures are needed to reduce the current consumption.

Functional Description

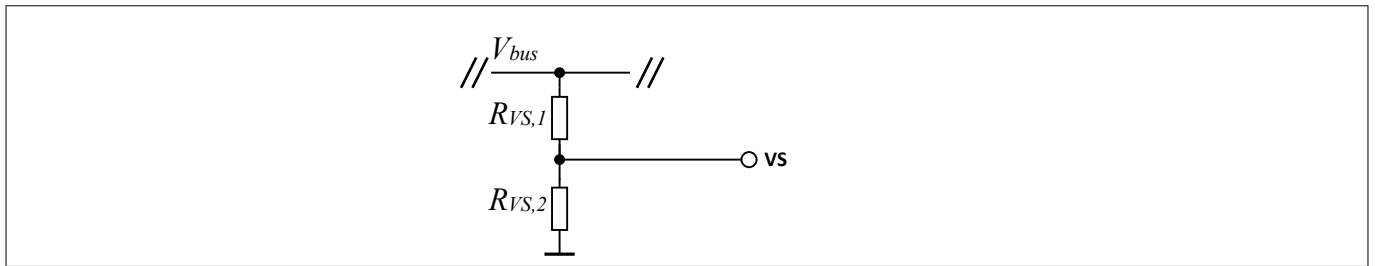


Figure 6 Bus Voltage Sensing Schematic

The **Analog-to-Digital Converter (ADC)** input at the VS pin utilizes two voltage ranges. The wider voltage range from 0 to V_{REF} results in lower resolution. The narrower voltage range from $5/6 V_{REF}$ to $7/6 V_{REF}$ gives better voltage resolution. Steady state operation therefore normally takes place in the high-resolution range and soft start operation in the low-resolution range.

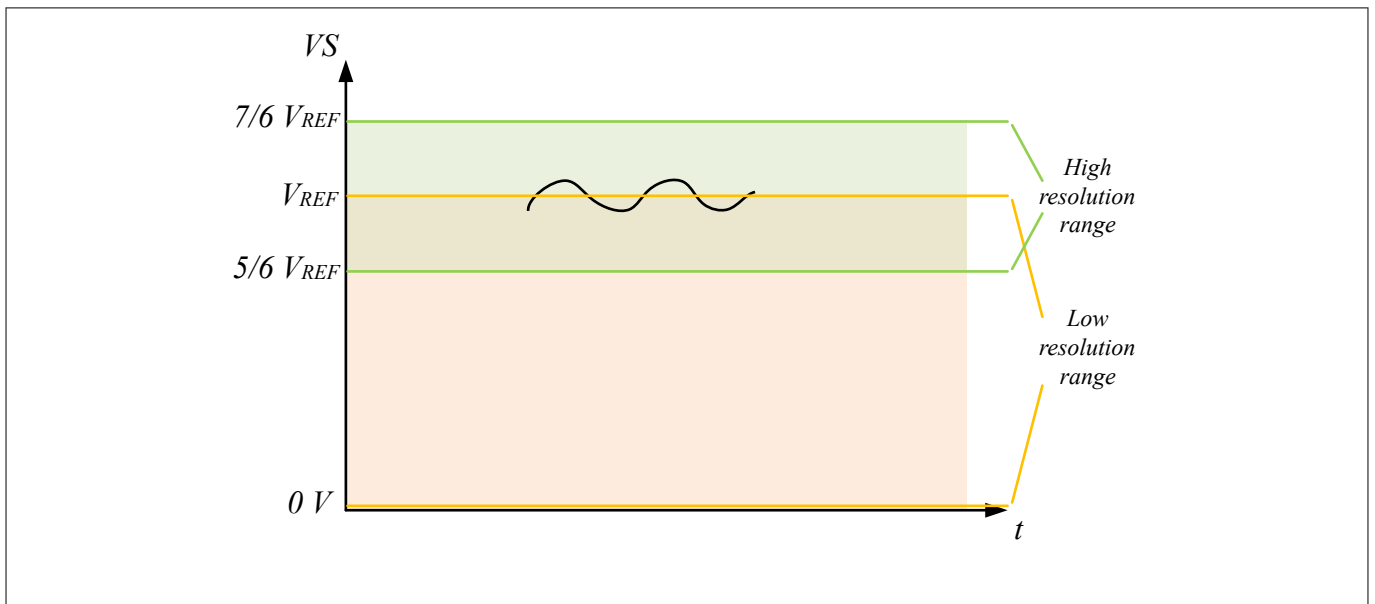


Figure 7 Sensing Ranges

3.1.4 Input Voltage Sensing

The input voltage is sensed using the HV pin.

The input voltage is used for protection, to generate **AC** zero-crossing signals and to detect the AC/DC source.

Functional Description

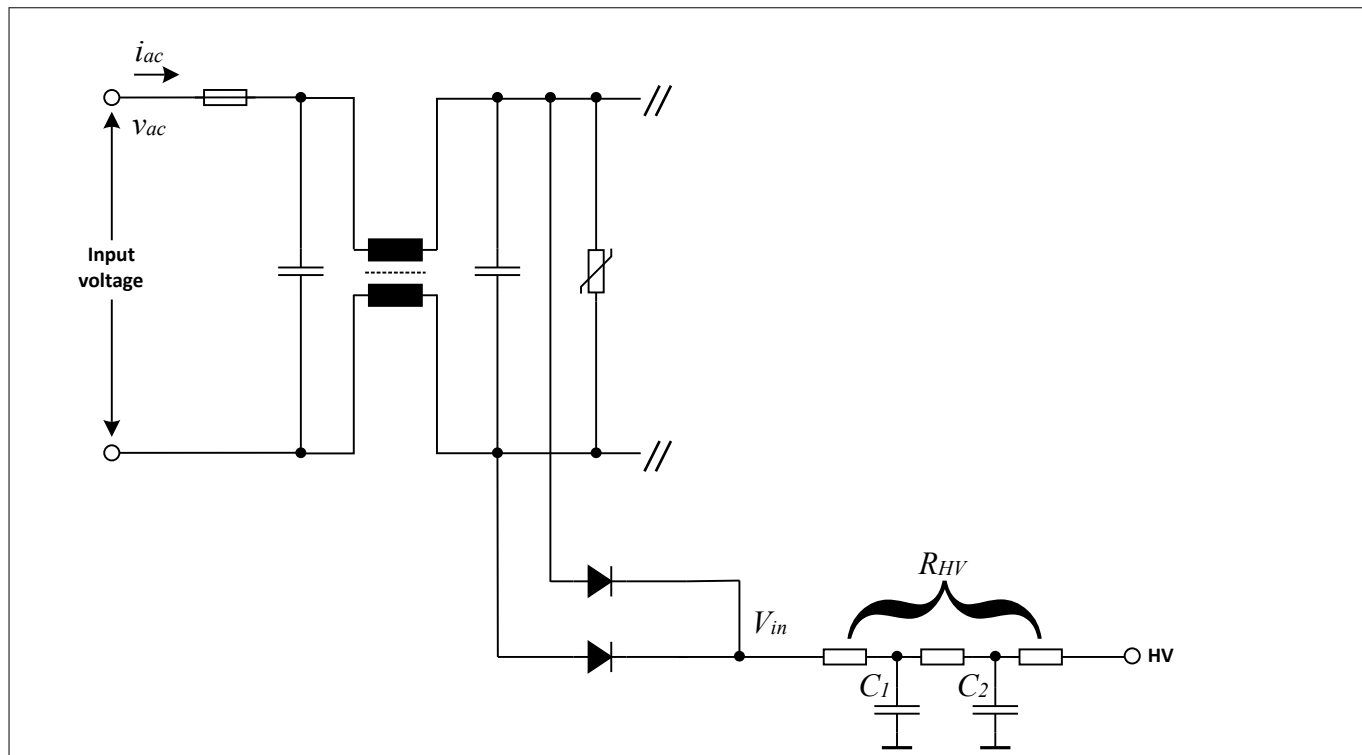


Figure 8 Input Voltage Sensing Schematic

The R_{HV} probing resistor is usually split into two, or three or more resistors for safety purposes. In fact in case of a resistor being shorted by damage, the high resistive path is maintained by the other resistors avoiding fire, shock to the user and further damage to the application.

A RC filter structure making use of the split resistors filters the unwanted noise for the high voltage input voltage measurement. The filtering effect is kept high due to the usage of the high impedance split resistors and the addition of small capacitance high voltage capacitors.

3.1.5 Control Scheme

The **PFC** bus voltage controller embeds a PIT1 controller that calculates a control output representing load and line conditions from the bus voltage error signal.

The bus voltage controller implements regulation during both soft start and steady states.

3.1.5.1 Startup

At system startup, the **PFC** initiates a soft start to minimize the switching stress for the power MOSFET, diode and inductor.

The soft start is executed when the bus voltage is higher than the $V_{bus,start,PFC}$ threshold. This is the brown-in condition. The soft start is aborted if the input under- or overvoltage protection fire. During soft start, the **PFC** stays in **QRM1** operation. Once the $V_{bus,steady,entr,UV}$ threshold is reached, the steady state **PFC** operation starts.

Functional Description

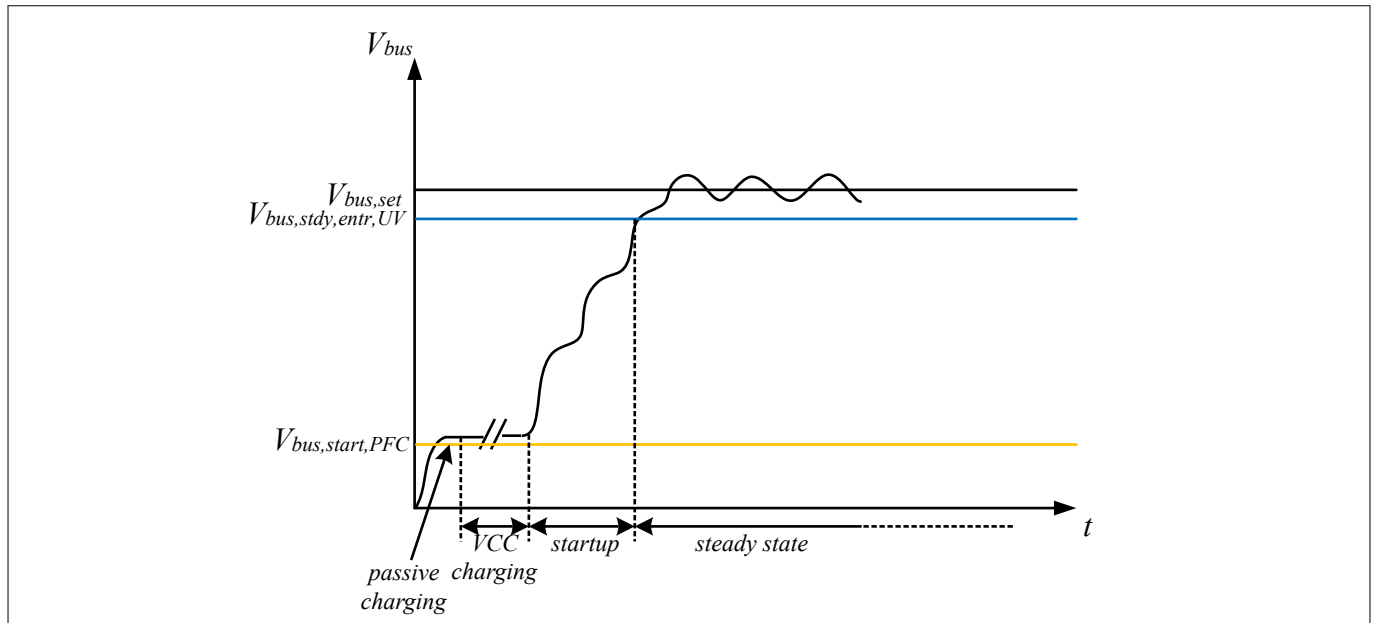


Figure 9 V_{bus} Soft Start and Regulation

3.1.6 Multimode Control Scheme

The multimode control scheme provides a **PFC** option to dynamically change the operating point by switching between the MOSFET V_{ds} voltage valleys while following a frequency law and applying **THD** optimization.

The multimode controller uses two different modes of operation:

- **QRM1**: This operation maximizes the efficiency by switching on the 1st valley of the **PFC** ZCD signal. This ensures zero current switching with a minimum of switching losses.
- **QRMn**: The controller will extend to the next switching valley after the 1st valley to control the bus voltage following a frequency law.

The multimode optimization consists of the following:

- Frequency law
- THD optimization

3.1.6.1 Frequency Law

The output of the **PFC** PIT1 bus voltage controller gives the desired on-time, which is constant within each **AC** half cycle. A **PFC** is used to emulate a resistive load r_e to the **AC** input such that i_{ac} follows v_{ac} in both wave shape and phase. The output of the **PFC** bus voltage controller $t_{on,des,PFC}$ is inversely proportional to the emulated resistive load r_e such that a smaller r_e or a higher $I_{ac,rms}$ will give a larger $t_{on,des,PFC}$. Thus, $t_{on,des,PFC}$ is different for the same load at different line voltages and is proportional to the RMS input current $I_{ac,rms}$.

The rule for selecting **QRMn** is based on the frequency law. A maximum switching frequency f_{swmax} and a minimum switching frequency f_{swmin} are defined for the complete $t_{on,des,PFC}/I_{ac,rms}$ range. The frequency law ensures that the switching frequency is within the desired frequency range. The frequency law is depicted in the figure below.

Functional Description

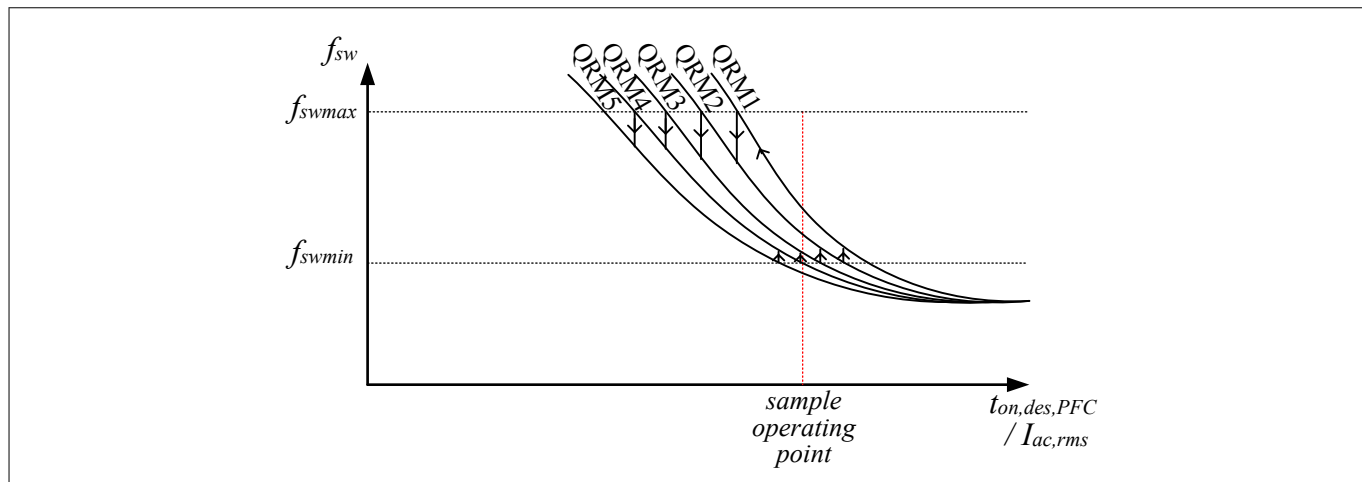


Figure 10 PFC Frequency Law

As long as the **PFC** controller operating mode fulfills the frequency law, the operating mode does not change. The QR-valley is increased when the highest frequency limit is reached. The QR-valley is decremented when the lowest frequency limit is reached.

To ensure good ZCD detection before the ZCD signal becomes too small in amplitude, only the first up to $N_{valley,max,PFC}$ valleys operations are supported.

3.1.6.2 THD Optimization

THD optimization reduces the **THD** in the case of light loads and in the case of high **AC** input voltages.

The selection of higher valleys helps to reduce the switching frequency but it also distorts the input current waveform with constant on-time control and thus affects the **PFC THD** performance. The multimode **PFC** control also consists of a **THD** optimization algorithm that optimizes the applied on-time in order to ensure good input current shaping and improved **PFC THD** performance.

3.1.7 Peak Current Limitation

The peak current through the switching MOSFET is read via the **PFC** shunt resistor $R_{CS,PFC}$ to limit the maximum current through the MOSFET, the choke, and freewheeling diode so as to avoid potential hard failure or lifetime stress.

The OCP causes the current to be limited to cases in which an overcurrent condition occurs. **Overcurrent Protection Level 1 (OCP1)** is implemented by hardware. If the voltage $V_{CS,PFC}$ across the shunt resistor exceeds the overcurrent threshold $V_{CS,OCP1,PFC}$ for longer than the blanking time $t_{blank,OCP1,PFC}$, the MOSFET is turned off. The MOSFET is turned on when ZCD occurs or the PFC maximum period time-out signal triggers the start of the next switching cycle. **Overcurrent Protection Level 2 (OCP2)** is a second-level overcurrent protection implemented by hardware. The **OCP2** overcurrent threshold is fixed. The **OCP2** blanking time is $t_{blank,OCP2,PFC}$.

3.1.8 Bus Undervoltage Protection

Undervoltage detection of the bus voltage V_{bus} is provided by measurement using the VS pin.

The bus voltage is compared to a configurable undervoltage protection threshold $V_{bus,UV}$. If the threshold is exceeded for longer than the blanking time $t_{blank,Vbus,UV}$, the protection will be triggered.

Functional Description

3.1.9 Bus Overvoltage Protection

Overvoltage detection of the bus voltage V_{bus} is provided by the measurement using the VS pin.

The bus voltage is compared to a configurable overvoltage protection threshold $V_{bus,OV1}$ in **Firmware (FW)**. If a threshold is exceeded for longer than the blanking time $t_{blank,Vbus,OV1}$, the gate driver stops. The gate driver operation is resumed when V_{bus} falls below $V_{bus,stdy,entr,OV}$.

$V_{bus,OV2}$ is implemented in **Hardware (HW)** and it is fixed at a voltage which is represented as 2.8 V at the bus voltage sensing pin (VS). The HW permits a blanking time $t_{blank,Vbus,OV2}$ to be programmed.

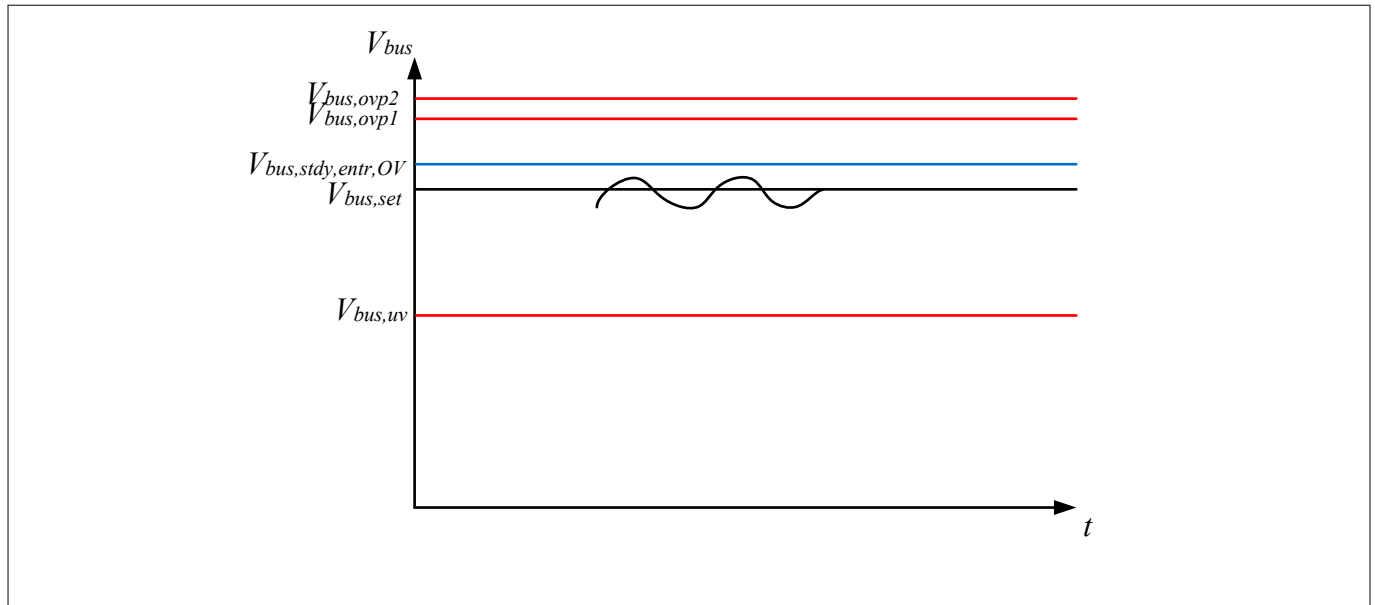


Figure 11 V_{bus} protections

3.1.10 Input Undervoltage Protection

Undervoltage detection of the input voltage V_{in} is provided by measurement using the HV pin.

Values of $V_{in,rms}$ are compared to a configurable input undervoltage protection threshold $V_{in,UV}$. If the threshold is exceeded for longer than the blanking time $t_{blank,Vin,UV}$, the protection will be triggered. XDPL8220 features a configurable startup threshold $V_{in,start,min}$ to create hysteresis for flicker-free operation before the second stage starts switching. After startup checks when $t_{rms,reset,PFC}$ expires, the comparison is restored to the threshold value $V_{in,UV}$.

3.1.11 Input Overvoltage Protection

Overvoltage detection of the input voltage V_{in} is provided by measurement using the HV pin.

Values of $V_{in,rms}$ are compared to a configurable input overvoltage protection threshold $V_{in,OV}$. If the threshold is exceeded for longer than the blanking time $t_{blank,Vin,OV}$, the protection will be triggered. XDPL8220 features a configurable startup threshold $V_{in,start,max}$ to create hysteresis for flicker-free operation before the second stage starts switching. After startup checks when $t_{rms,reset,PFC}$ expires, the comparison is restored to the threshold value $V_{in,OV}$.

Note: In the csv file the input OVP shall be disabled by default.

Functional Description

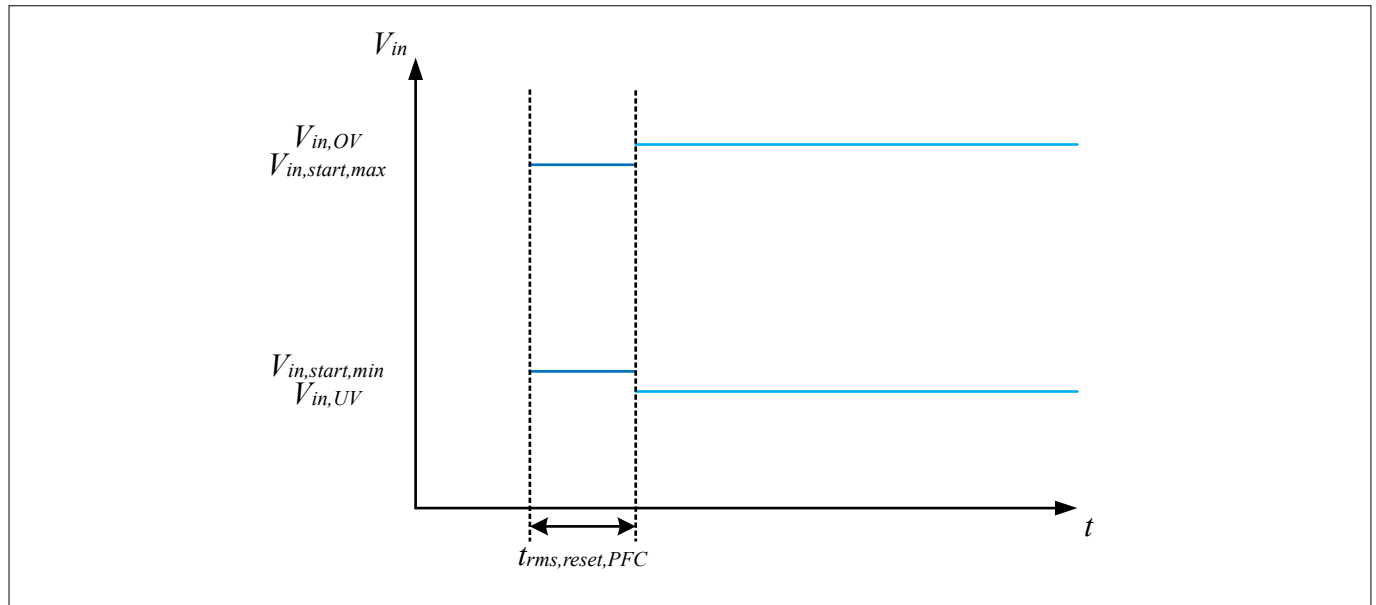


Figure 12 V_{in} protections

3.1.12 Other PFC Protections

CS Resistor Short Protection

The input circuit breaker (fuse) shall be chosen appropriately in order to protect in case of current-sense resistor short.

CS Resistor Open Protection

The external circuitry for shared CS/ZCD pulls the CSPFC pin high in case of CS resistor missing so that the OCP2 protection is triggered.

CSPFC Pin Short to GND Protection

In case of CSPFC pin short to ground the lack of quasi-resonant oscillations shall trigger the CCM Protection.

CCM Protection

Continuous conduction mode (CCM) operation may occur during **PFC** startup for a limited time. It is considered as a failure in the system only if CCM operation of the **PFC** converter is observed over a longer period of time. The **PFC** converter may run into CCM operation for a longer period due to a shorted bypass diode, a heavy load step that is out of specification or very low input voltage outside the normal operating range.

When CCM occurs, the magnetizing current in the **PFC** choke does not have the chance to decay to zero before the MOSFET turns on. No quasi-resonant oscillation will be seen at the ZCD signal before the maximum switching period time-out is reached that turns the MOSFET on. This turn-on event without ZCD oscillation is monitored to protect the **PFC** converter from continuous CCM operation. The CCM protection is implemented by firmware.

If any quasi-resonant oscillation is seen at the ZCD signal for longer than the blanking time $t_{blank,CCM,PFC}$, the protection is triggered.

Soft Start Failure

The soft start may take a long time, potentially never reaching steady state operation due to heavy loads or very low input voltages. If $t_{start,PFC}$ reaches $t_{start,max,PFC}$ before the soft start has ended, the protection is triggered.

Functional Description

3.2 Flyback Controller Features

The **FB** stage provides primary side control that avoids secondary side control feedback loop circuitry usually needed in isolated power converters. This approach supports a low part count to reduce costs.

The **FB** stage features multi-mode operation and it selects the best mode of operation based on operating conditions.

3.2.1 Primary Side Regulation

The **FB** in XDPL8220 provides primary side control of output current and output voltage. No external feedback components are necessary for the current control as the primary side regulation control loop is fully integrated.

Figure 13 shows typical current and voltage waveforms of the **FB** application operating in **QRM1**.

In **DCM**, the next switching cycle will not start at the first valley of V_{AUX} , but is instead delayed. As a consequence, the switching losses in **DCM** will be higher.

The primary peak current $I_{p,pk}$, the period of conduction of the output diode t_{demag} and the switching period $t_{sw,FB}$ are used to calculate the average output current.

The voltage signal V_{AUX} of the auxiliary winding of the transformer contains information on the reflected output voltage V_{out} . The reflected output voltage is measured at the ZCD pin using a resistor divider.

Functional Description

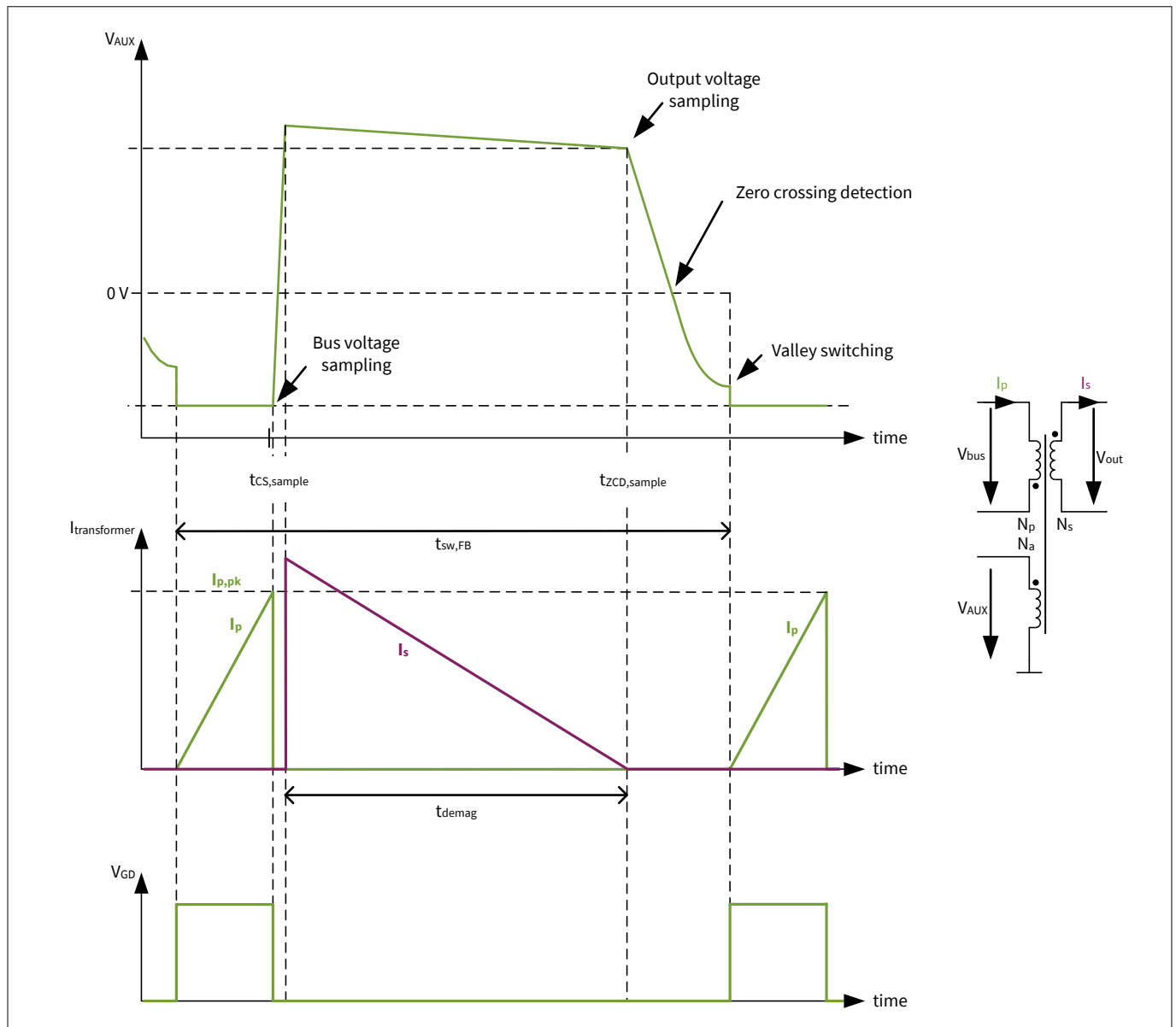


Figure 13 Typical Waveforms of a Flyback Converter

3.2.1.1 Primary Side Current Sensing

The primary side peak current $I_{p,pk}$ is controlled by the control loop using the $V_{CS,OCPI}$ level at the CSFB pin. This control scheme ensures suppression of any variation in the bus voltage.

Several delays exist from the time at which the **OCPI** level $V_{CS,OCPI}$ is exceeded at the CSFB pin until the gate switches off and the transformer current finally reaches its peak value. For a higher accuracy, the primary peak current $V_{CS,SH}$ is sampled a fixed time before turn-off of the gate. The primary side peak current is used to calculate the secondary side current and for protection. The propagation delay compensation parameter t_{PDC} allows optimization of the accuracy of the primary side peak current:

$$I_{p,pk} = \frac{V_{CS,SH}}{R_{CS,FB}} \cdot \frac{t_{on,FB} + t_{PDC}}{t_{on,FB} - t_{CSFB,offset}}$$

Equation 2

Functional Description

Note: If an RC low pass filter is added in front of the CSFB pin, the related low pass filter delay has to be included in t_{PDC} .

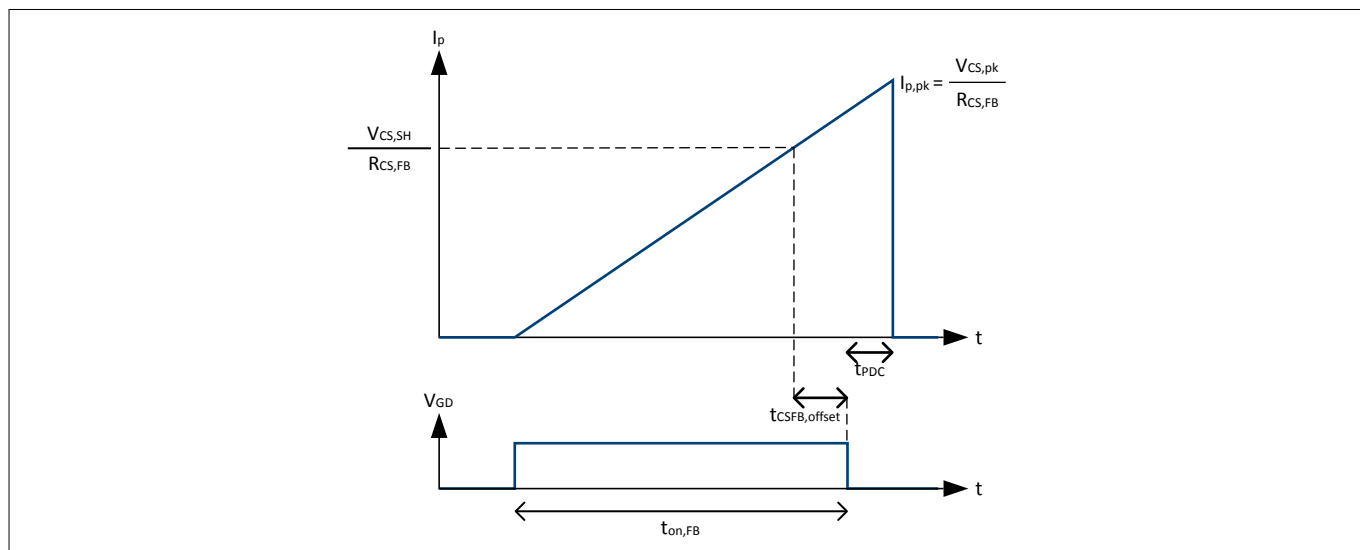


Figure 14 Propagation Delay Compensation for accurate Primary Peak Current Calculation

3.2.1.2 Primary Side Output Voltage Sensing

The output voltage is determined by measuring the reflected output voltage on the auxiliary winding. A resistor divider adapts the voltage to the operating range of the ZCD pin.

The output voltage is measured at the ZCD pin using the voltage $V_{ZCD,SH}$ at the end of the demagnetization time at the time $t_{ZCD,sample}$. The voltage measured at the ZCD pin, the dimensioning of the resistor dividers $R_{ZCD,FB,1}$ and $R_{ZCD,FB,2}$, transformer turns N_s and N_a as well as an offset $V_{out,offset}$ (caused by the secondary diode, for example) are used to calculate the output voltage V_{out} as follows:

$$V_{out} = V_{ZCD,SH} \frac{R_{ZCD,FB,1} + R_{ZCD,FB,2}}{R_{ZCD,FB,2}} \frac{N_s}{N_a} + V_{out,offset}$$

Equation 3

V_{out} is used for **Primary Side Regulated (PSR)** control loops in **CV** and **LP** modes as well as for output over- and undervoltage protections.

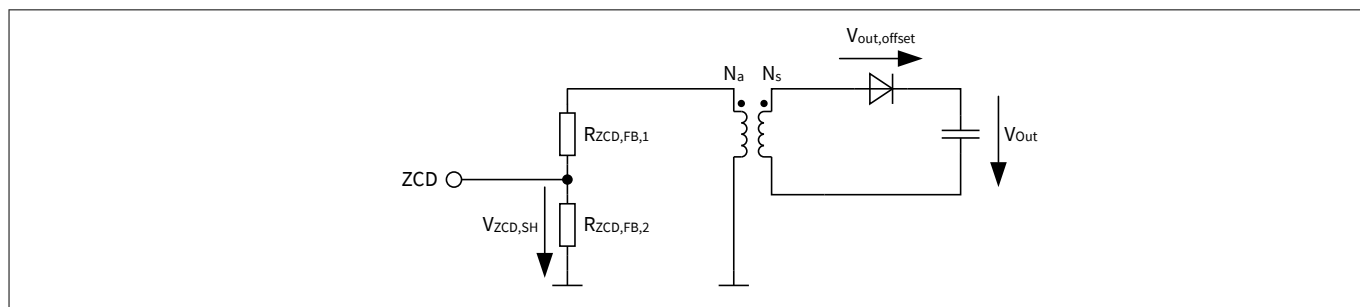


Figure 15 Primary Side Output Voltage Sensing using ZCD S&H

Note: Any relation between VCC and ZCD in self-supplied applications can be decoupled – e.g. by adding a linear regulator for VCC.

Functional Description

Attention: Please note that the time (t_{demag}) has to be longer than 2.0 μs to ensure that the reflected output voltage can be sensed correctly at the ZCD pin.

3.2.1.3 Flyback Bus Voltage Sensing

The **FB** can sense the bus voltage using the reflection of bus voltage on the auxiliary winding while the gate is turned on. A resistor divider adapts the negative voltage to the operating range of the ZCD pin. This second measurement path is required to protect against component failures in the VS measurement path (open loop protection for the **PFC** stage).

The reflected bus voltage appears as a negative voltage at V_{AUX} . This negative voltage is internally clamped at the ZCD pin to the negative voltage V_{INPCLN} . The internal clamping current I_{ZCD} is measured at the end of the on-time at the time $t_{\text{CS,sample}}$. The measured clamping current of the ZCD pin, the dimensioning of the resistor dividers $R_{\text{ZCD,FB,1}}$ and $R_{\text{ZCD,FB,2}}$ as well as the number of transformer turns N_a and N_p are used to calculate the bus voltage $V_{\text{bus,FB}}$ as follows:

$$V_{\text{bus,FB}} = \left(I_{\text{ZCD}} + \frac{V_{\text{INPCLN}}}{R_{\text{ZCD,FB,2}}} \right) R_{\text{ZCD,FB,1}} \left(\frac{N_p}{N_a} \right)$$

Equation 4

$V_{\text{bus,FB}}$ is used for plausibility checks with the voltage V_{bus} as measured using the VS pin.

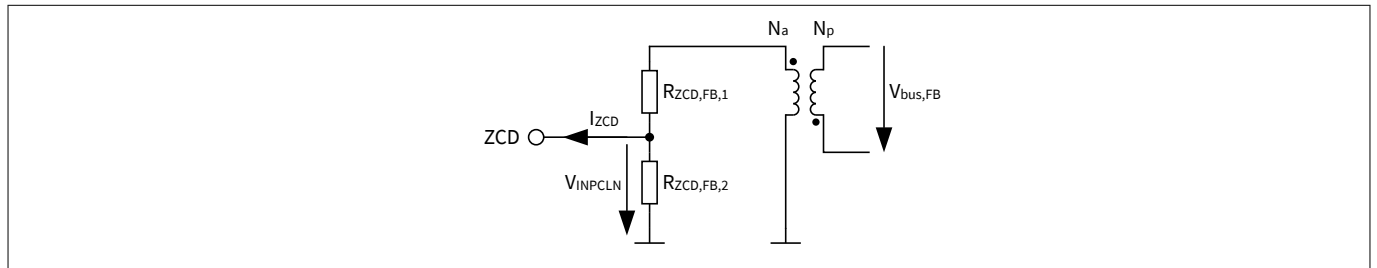


Figure 16 Voltage Sensing using ZCD Clamp Current

3.2.1.4 Output Current Calculation

The output current is calculated based on the primary side peak current and the timing of the switching cycle.

The output current I_{out} is calculated using the duration of conduction of the output diode t_{demag} , the switching period $t_{\text{sw,FB}}$ as well as the number of transformer turns N_p , N_s and the transformer coupling K_{coupling} . The following equation is valid both in **QRM1** and **DCM**:

$$I_{\text{out}} = \frac{1}{2} I_{p,\text{pk}} \cdot \frac{N_p}{N_s} \cdot K_{\text{coupling}} \cdot \frac{t_{\text{demag}}}{t_{\text{sw,FB}}}$$

Equation 5

The coupling of the transformer can be approximated using the transformer primary inductance L_p and the transformer primary leakage inductance $L_{p,\text{lk}}$ as follows:

$$K_{\text{coupling}} \approx \frac{L_p}{L_p + L_{p,\text{lk}}}$$

Equation 6

The calculated current I_{out} is used for the control loop in the modes **CC** and **LP**. The calculated current is also used for output overcurrent protection.

Functional Description

3.2.1.5 Output Control Scheme

The XDPL8220 includes three different control schemes for a **CC**, **CV** or **LP** output.

Different use cases require the controller to operate according to different operation schemes:

- In the case of typical LED strings, the forward voltage of the LED string determines the output voltage of the driver. XDPL8220 operates in **CC** and drives a constant output current $I_{out,full}$ to the load. The forward voltage of the connected LED string has to be below a configurable maximum value $V_{out,set}$.
- In the case of LED loads including a power stage (e.g. Infineon BCR linear regulators or Infineon DC/DC buck ILD2111), XDPL8220 operates in **CV**, ensuring a constant voltage $V_{out,set}$ to the load. The total output current drawn by the load has to be below a configurable maximum value $I_{out,full}$.
- In the case of a high output current setpoint $I_{out,full}$ and an overly long LED string which exceeds the configurable power limit $P_{out,set}$, XDPL8220 operates in **LP** to ensure that the power limit of the driver is not exceeded. The controller reduces the output current automatically, ensuring light output without any interruption even for overly long LED strings. The forward voltage of the connected LED string has to be below a configurable maximum value $V_{out,set}$.

For every update of the control loop, the control scheme is selected on the basis of the current operation conditions (output voltage V_{out} and output current I_{out}) and their distance to the three limiting setpoints ($V_{out,set}$, $P_{out,set}$ and $I_{out,full}$):

- For **CC** schemes, the internal reference current $I_{out,full}$ is weighted according to thermal management and a dimming curve to yield $I_{out,set}$. The calculated output current I_{out} is compared with the weighted reference current $I_{out,set}$ to generate an error signal for the output current.
- For **CV** schemes, the sensed output voltage V_{out} at the ZCD pin is compared to a reference voltage $V_{out,set}$ to generate an error signal for the output voltage.
- For **LP** schemes, the output current is limited to a maximum of $I_{out,set} = P_{out,set} / V_{out}$.

Out of these three schemes, for each step the most critical error is selected (see **Figure 17**):

1. If any setpoint is exceeded, the largest error for power decrease is selected to bring the controller back to the desired operating point as quickly as possible.
2. If the current operating conditions are below all three setpoints, the smallest error for power increase is selected to avoid overshooting any setpoint.

The selected error signal is fed into a compensator to control the gate driver switching parameters (i.e. duty cycle and frequency) for the power MOSFET of the **FB**.

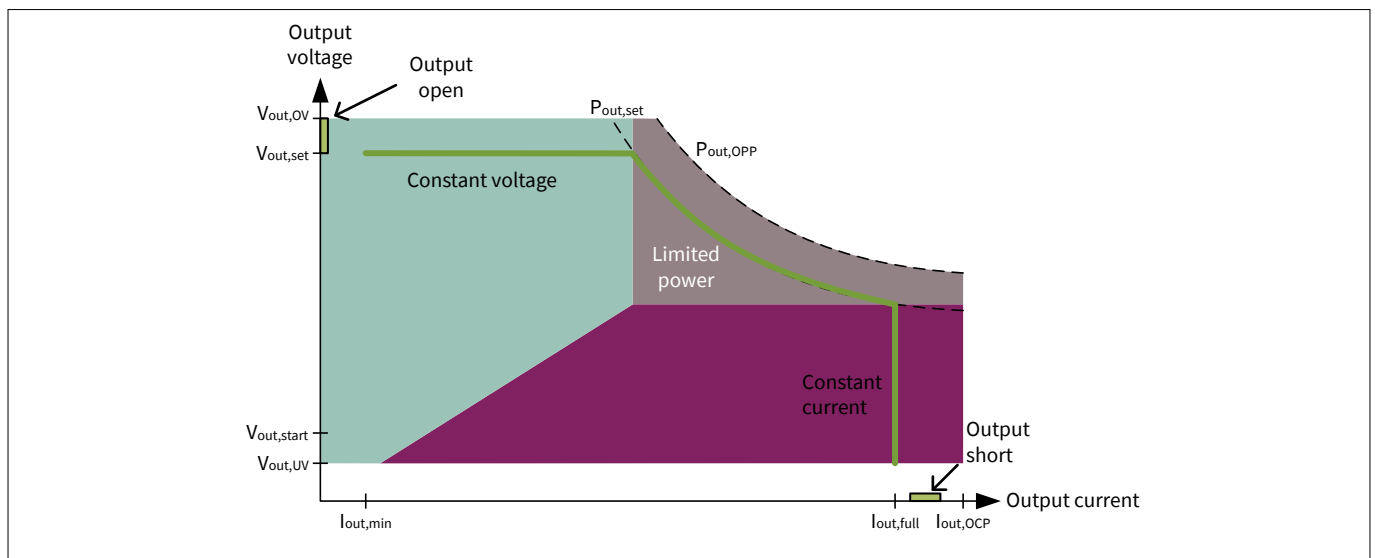


Figure 17 Control Scheme for CC/CV/LP Modes (Non-Dimmed)

In dimming cases, the output current setpoint $I_{out,set}$ is located between $I_{out,min}$ and $I_{out,full}$ and varies according to the sensed **PWM** duty cycle D_{DIM} . Dimming can be visualized by moving the vertical line for the output current setpoint in **Figure 18** from right to left.

Functional Description

Note: An operation in limited power mode can cause dimmer dead-travel until the controller enters constant current mode.

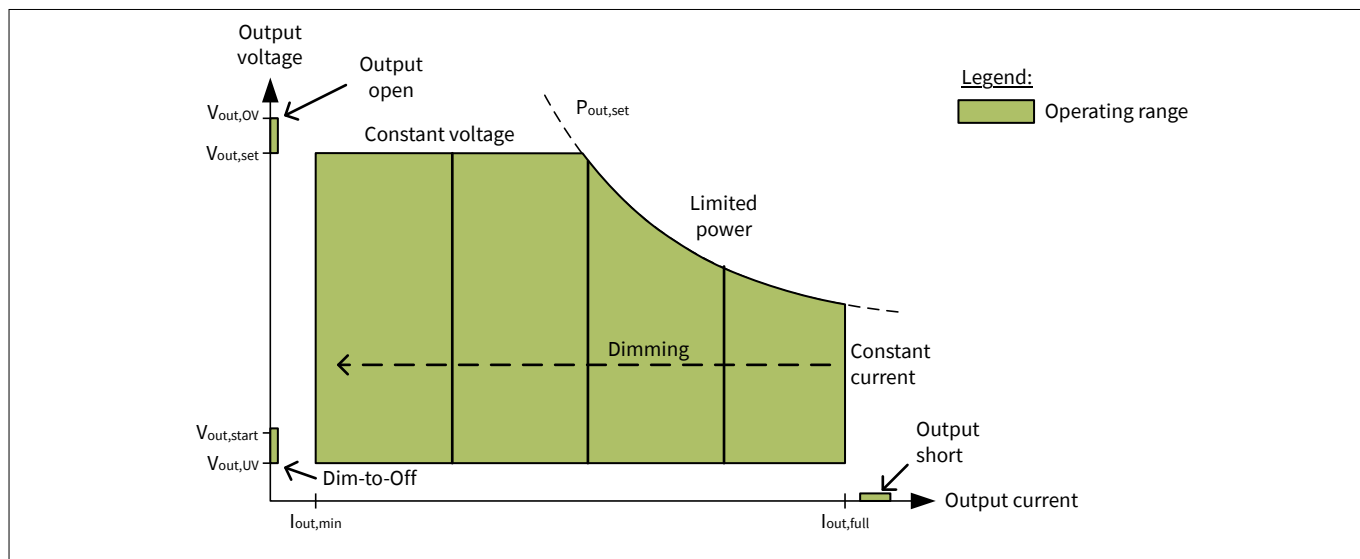


Figure 18 Control Scheme for CC/CV/LP Modes (including Dimming)

One or more of the output control schemes can be deactivated by configuration of the setpoints. Some examples are given below:

- The **LP** scheme is not active for $P_{out,set} > V_{out,set} \cdot I_{out,full}$. For such a configuration, the controller will only select between a **CC** and **CV** scheme.
- The **CV** scheme is not active for $V_{out,set} = V_{out,OV}$ as the output overvoltage protection will be triggered.
- The **CC** scheme is not active for $I_{out,full} = I_{out,OC}$ as the output overcurrent protection will be triggered.

3.2.1.6 Multimode Scheme

The control loop of XDPL8220 uses two different switching modes. **QRM1** is optimized for high efficiency at high loads while **DCM** is used in light load conditions.

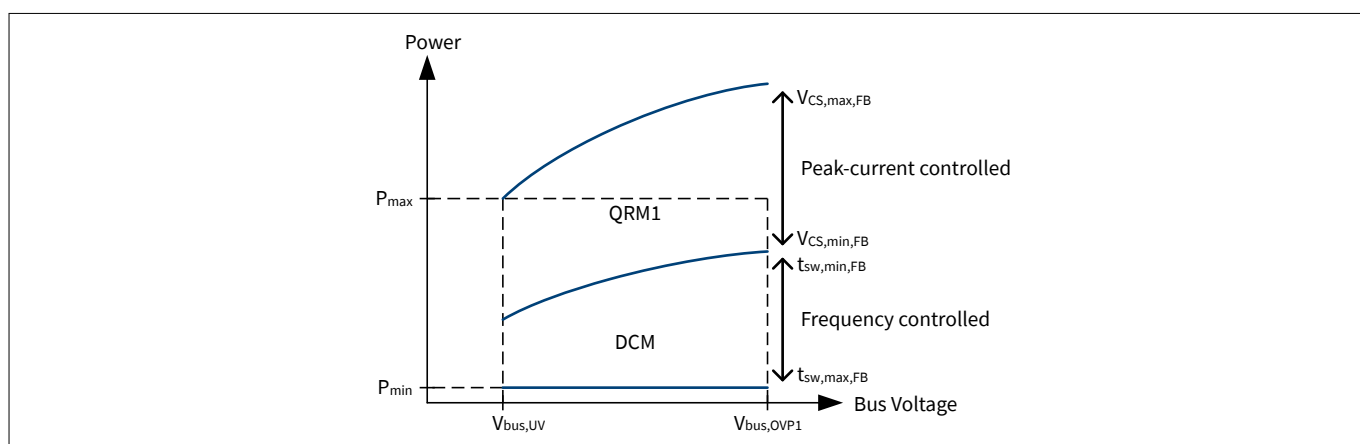


Figure 19 Flyback Multimode Operation Scheme

- **QRM1**: This mode maximizes the efficiency by switching on the 1st valley of the V_{AUX} signal. This ensures zero current switching with a minimum of switching losses. The power is controlled by regulating the primary peak current using $V_{CS,OC1}$.
- **DCM**: This mode is used if $V_{CS,OC1}$ has reached its minimum value $V_{CS,min,FB}$. To allow lower output power, the controller extends the switching period later than the 1st valley.

Functional Description

The minimum power is limited by the transformer primary inductance L_p , maximum switching period $t_{sw,max,FB}$ and minimum primary peak current $I_{p,pk,min}$:

$$P_{min} = \frac{1}{2} \cdot L_p \cdot I_{p,pk,min}^2 \cdot \frac{1}{t_{sw,max,FB}}$$

Equation 7

The minimum primary peak current $I_{p,pk,min}$ is restricted by:

$$I_{p,pk,min} = t_{demag,min} \cdot \frac{N_p}{N_s} \cdot \frac{V_{out,OV}}{L_p}$$

Equation 8

Note: If the load drops below the minimum load of P_{min} , the output voltage will rise up to the output overvoltage threshold $V_{out,OV}$ and trigger the protection. An auto-restart can be used to keep the output voltage close to $V_{out,OV}$ until the load increases again.

3.2.2 Flyback Startup

After startup, the **FB** of the XDPL8220 initiates a soft start to minimize the switching stress for the power MOSFET and secondary diode.

The cycle-by-cycle current limit is increased in steps of $V_{CS,step}$ with a configurable duration $t_{softstart}$ for each step. After the final $V_{CS,OC1,start}$ limit level has been reached, the output will be charged until the minimum output voltage $V_{out,start}$, which ensures self-supply has been reached. At this condition, **Continuous Conduction Mode (CCM)** protection as well as output undervoltage protection are activated and the control loop takes over. The starting point for the control loop is to operate in DCM at lowest switching frequency and shortest on-time. These switching parameters avoid any overshoot of output current for short LED string in dimmed conditions.

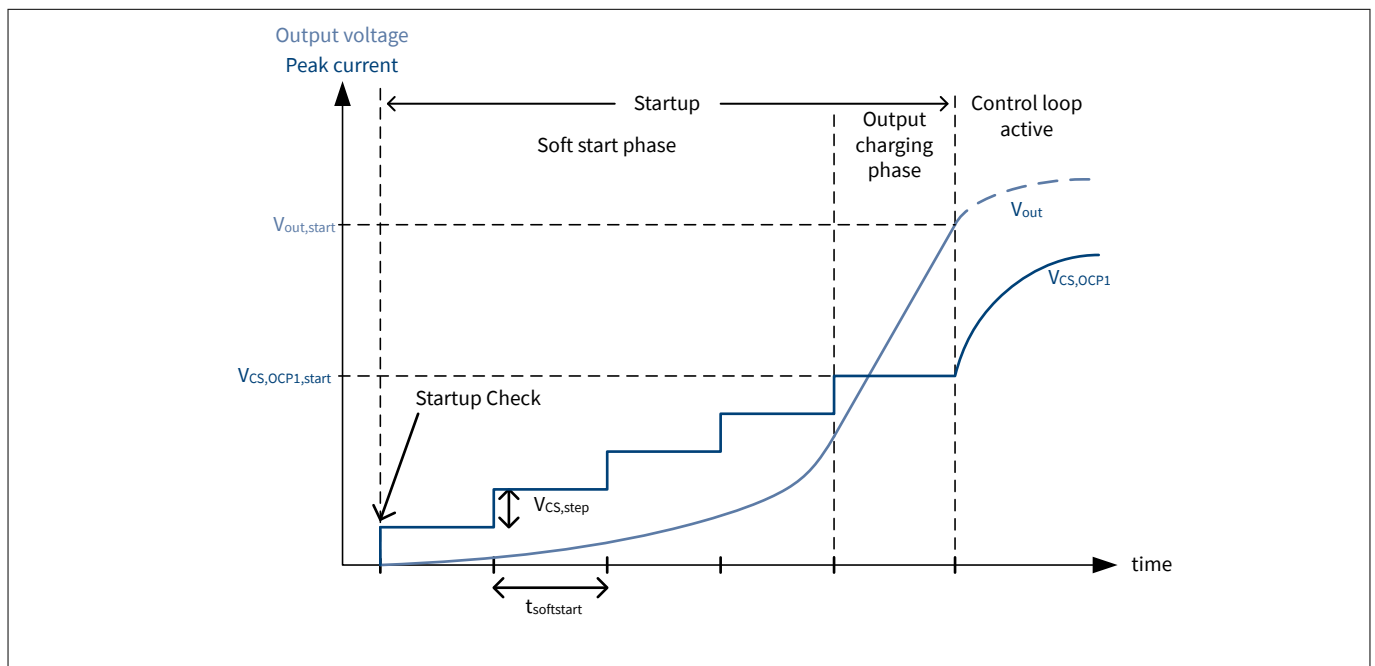


Figure 20 Flyback Startup Sequence

Functional Description

3.2.3 Protection Features

Protections ensure the operation of the controller under restricted conditions. Protections are triggered if fault conditions are present longer than the blanking times configured for each protection³⁾. The controller will react to a triggered protection as configured.

Attention: *The controller may continue operation after exceeding protection thresholds because of blanking times. All protection thresholds have to be set with respect to tolerances, blanking times and worst case transients.*

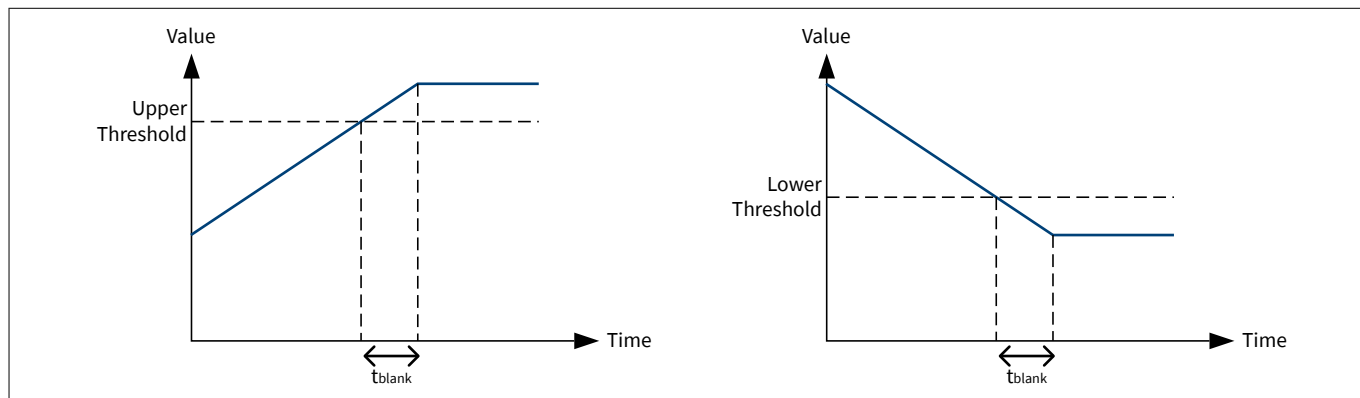


Figure 21 Blanking Times cause Excess of Threshold

3.2.3.1 Primary Overcurrent Protection

The primary side overcurrent protection implemented in hardware covers fault conditions like a short in the transformer primary winding or an open CS pin.

The primary side current is compared to a configurable overcurrent protection threshold $V_{CS, OCP2}$. If the threshold is exceeded for longer than the blanking time $t_{OCP2, FB}$, the protection will be triggered.

3.2.3.2 Output Undervoltage Protection

In the case of a short in the output, the output voltage may drop to a very low level. Detection of undervoltage in the output voltage V_{out} is enabled by measurement of the reflected voltage at the ZCD pin.

During operation, the output voltage is compared to a configurable undervoltage protection threshold $V_{out, UV}$. If the threshold is exceeded for longer than the blanking time $t_{blank, out, UV}$, the protection will be triggered. This protection threshold $V_{out, UV}$ is disabled during startup.

During startup, the protection operates differently: In case the **FB** cannot charge the output voltage to $V_{out, start}$ during a timeout of $t_{start, max, FB}$, the protection will be triggered. This timeout starts when the **FB** is started.

Note: *The startup threshold $V_{out, start}$ has to be configured over and above the undervoltage threshold $V_{out, UV}$ to allow undershoots at startup which may occur, especially for resistive loads.*

3.2.3.3 Output Overvoltage Protection

In case of an open output, the output voltage may rise to a high level. Overvoltage detection of the output voltage V_{out} is provided by measurement at the ZCD pin.

The output voltage is compared to a configurable overvoltage protection threshold $V_{out, OV}$. If the threshold is exceeded for longer than the blanking time $t_{blank, out, OV}$, the protection will be triggered.

³ except VCC undervoltage protection

Functional Description

Note: The blanking time $t_{\text{blank},V_{\text{out,OV}}}$ should be set to the minimum value to minimize overshoots of the output voltage above the protection threshold.

Note: This protection is usually triggered if the output is open or the output load drops below the minimum load P_{min} .

3.2.3.4 Output Overcurrent Protection

Overcurrent detection in the output current I_{out} is provided on the basis of the calculated output current. The calculated output current is compared to a configurable overcurrent protection threshold $I_{\text{out,OC}}$. If the threshold is exceeded for longer than the blanking time $t_{\text{blank,out,OC}}$, the protection will be triggered.

3.2.3.5 Output Overpower Protection

Overpower detection in the output power P_{out} is provided on the basis of the calculated output power. The calculated output power is compared to a configurable overpower protection threshold $P_{\text{out,OP}}$. If the threshold is exceeded for longer than the blanking time $t_{\text{blank,out,OP}}$, the protection will be triggered.

3.2.3.6 Other Flyback Protections

XDPL8220 includes additional protections to ensure the integrity and correct flow of the firmware.

- A hardware weak pull-up protects against an open CSFB pin.
- A firmware watchdog protects against the CSFB pin becoming shorted to GND.
- A firmware state monitor supervises correct operation of the flyback in **QRM1** or **DCM**. A protection is triggered if the flyback enters **CCM**.
- A firmware check ensures that the **PFC** has already boosted the bus voltage sufficiently before the **FB** starts.
- A firmware plausibility check ensures that the bus voltage measurement using the VS pin is correct.

Functional Description

3.3 General Controller Features

XDPL8220 provides general features for firmware task scheduling, VCC control and temperature control which are independent of the target application.

3.3.1 External Temperature Sensing

The external temperature is measured by measuring the voltage of an **NTC** with respect to the internal V_{REF} voltage.

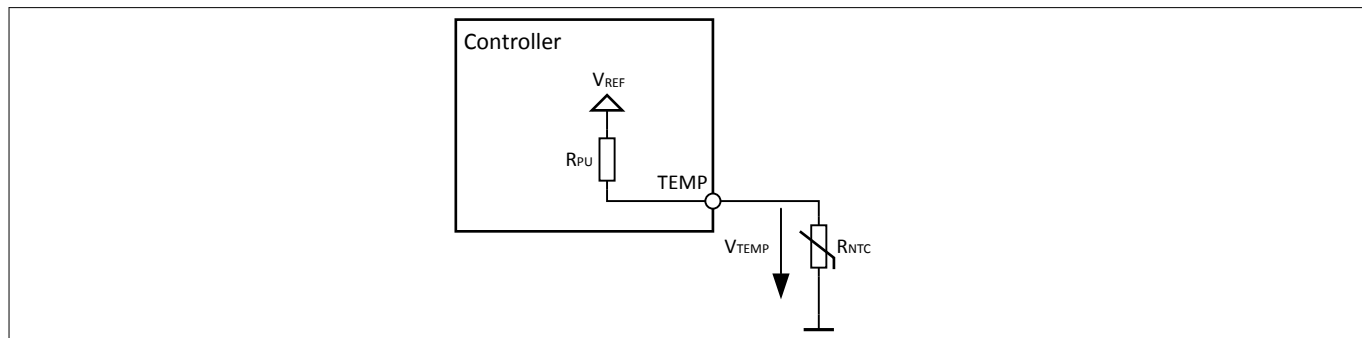


Figure 22 External Temperature Sensing using NTC

The controller calculates the resistance of the NTC based on the measured voltage V_{Temp} , the internal reference voltage V_{REF} and the internal pull-up resistance R_{PU} :

$$R_{NTC} = \frac{V_{Temp} \cdot R_{PU}}{V_{REF} - V_{Temp}}$$

Equation 9

3.3.2 Adaptive Temperature Protection

XDPL8220 offers adaptive temperature protection using internal and/or external temperature sensors. This feature reduces the output current according to temperature to protect the load and driver against overtemperature.

Whenever the temperature T_{hot} is exceeded, the current is gradually reduced from the maximum current $I_{out,set}$, as shown in **Figure 23**. If the temperature drops below T_{hot} , the output current is increased again. This allows the controller to ensure operation at or below a temperature of T_{hot} .

If a reduction down to a minimum current $I_{out,red}$ is not able to compensate for any continued increase in temperature, XDPL8220 will eventually trigger overtemperature protection if $T_{critical}$ is exceeded. If the controller is configured to react with auto-restart to the overtemperature protection, it will only restart after the temperature dropped below T_{hot} .

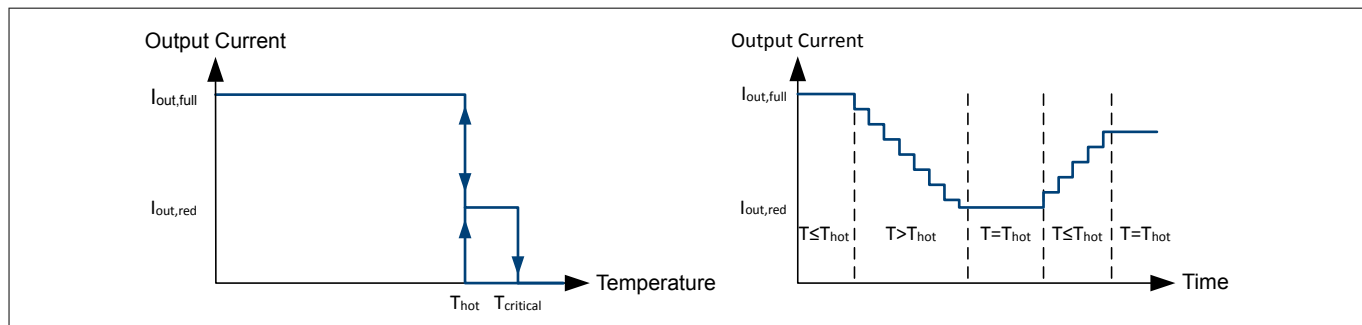


Figure 23 Adaptive Temperature Protection

Functional Description

Note: Please note that the internal temperature sensor can only protect external components which have sufficient thermal coupling to XDPL8220. The external temperature sensor can be used to protect the temperature of external components (e.g. power MOSFETs or linear regulators).

3.3.3 PWM Dimming Interface

The duty cycle sensed at the PWM pin is used to determine the output current level. The XDPL8220 can be configured to use either a linear or a quadratic dimming curve. Either normal or inverted dimming curves can be selected.

Figure 24 shows the relationship of the PWM duty cycle to the output current target value. Configurable levels $D_{DIM,min}$ and $D_{DIM,max}$ ensure that the minimum current $I_{out,min}$ and maximum current $I_{out,set}$ can always be achieved, thereby making the application robust against component tolerances.

An optional hysteresis can be enabled for the sensing of the PWM signal. This hysteresis can suppress jitter in the PWM signal. Any change of the PWM duty cycle within the hysteresis will not affect the output current.

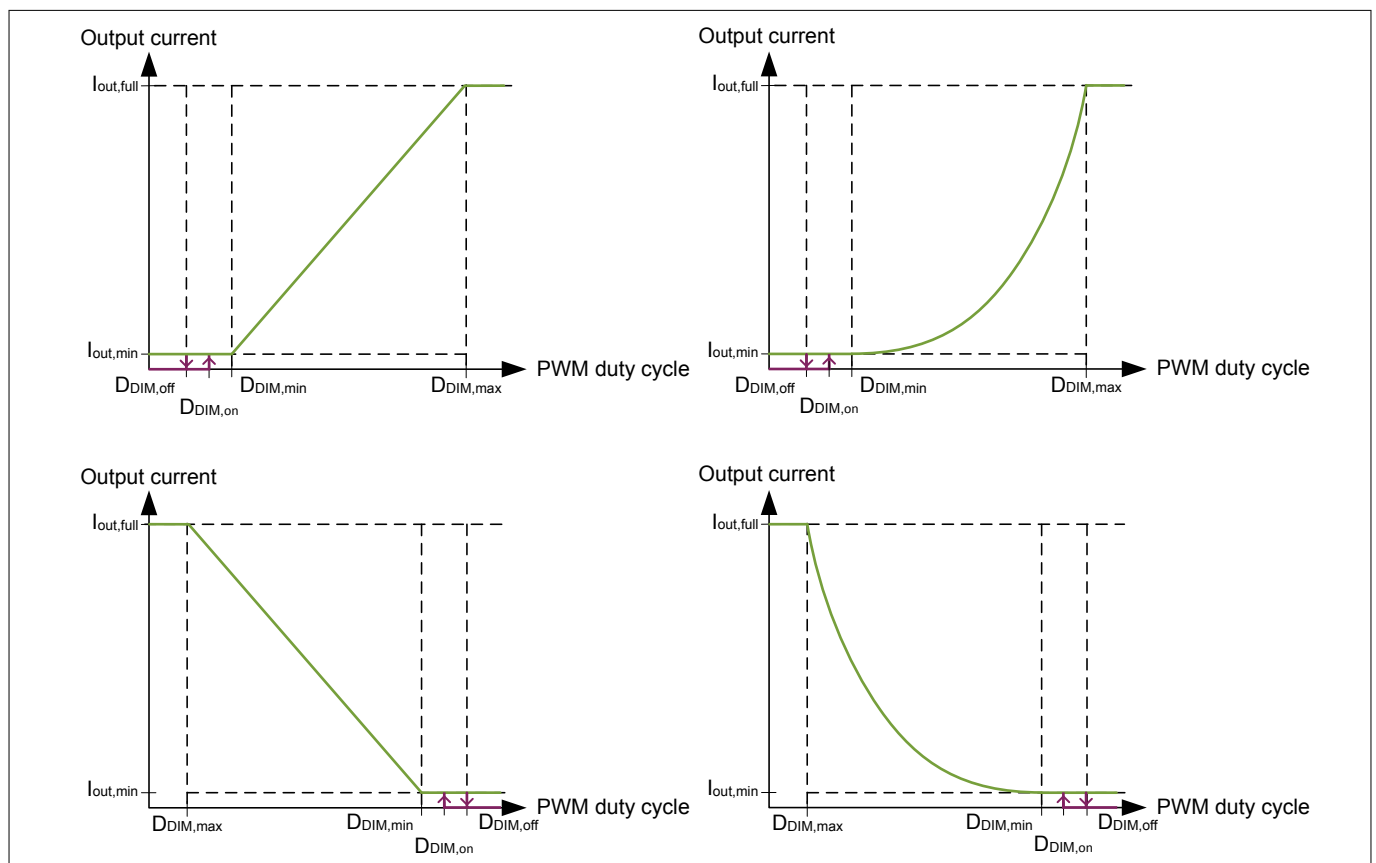


Figure 24 Selectable Dimming Curves

Using the optional Dim-to-Off feature, the light output can be stopped without removal of input voltage. In Dim-to-Off, the controller will enter auto-restart operation to minimize power consumption. The auto-restart recharges the output voltage to a minimum output voltage of $V_{out,start}$ to measure the PWM duty cycle. With this feature, the output voltage can be maintained in a specific range by configuration of the startup voltage $V_{out,start}$ and auto-restart time t_{AR} , and by dimensioning of an active or passive output bleeder. If $V_{out,start}$ is configured to be low enough below the minimum forward voltage of the LED string, the LEDs will show no light in this state.

Note: Either an active or passive output bleeder is required to allow the controller to maintain the output voltage if the Dim-to-Off feature is enabled.

Functional Description

Dim-to-Off is entered if the **PWM** duty cycle exceeds the configurable threshold $D_{DIM,off}$ (see purple line in **Figure 24**). As soon as the duty cycle exceeds $D_{DIM,on}$, the controller will start to continuously regulate output voltage or output current again.

3.3.4 Protection Features

Protections ensure the operation of the controller under restricted conditions. Protections are triggered if fault conditions are present longer than the blanking times configured for each protection⁴. The controller will react to a triggered protection as configured.

Attention: *The controller may continue operation after exceeding protection thresholds because of blanking times. All protection thresholds have to be set with respect to tolerances, blanking times and worst case transients.*

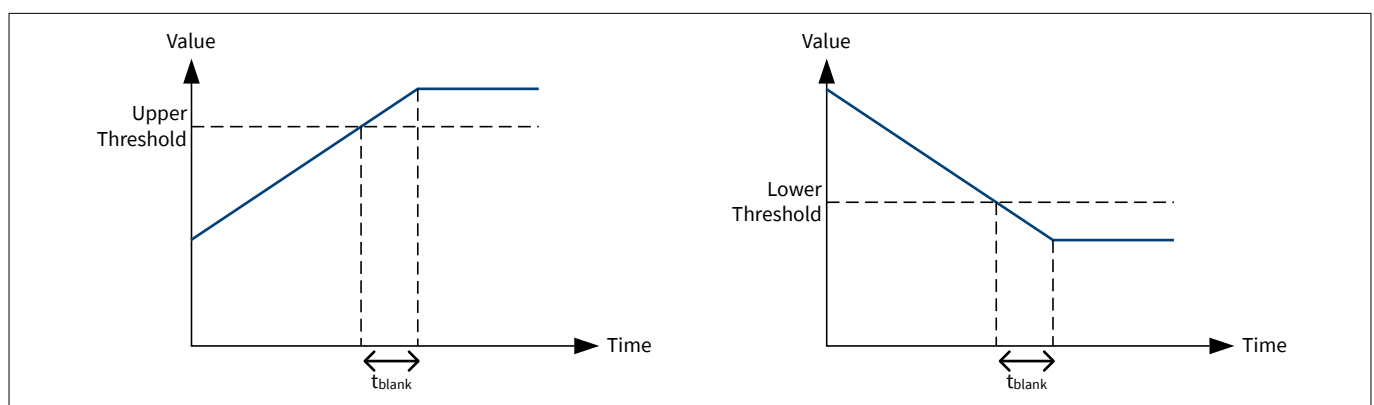


Figure 25 Blanking Times cause Excess of Threshold

3.3.4.1 Overtemperature Protection

Overtemperature protection initiates a shutdown once the critical temperature level $T_{critical}$ is exceeded.

Figure 26 shows the temperature hysteresis formed by the critical temperature $T_{critical}$ and maximum turn-on threshold T_{hot} if auto-restart is enabled for temperature protection.

If latch mode is selected instead, the IC will turn off and only restart after recycling of input power with a temperature below $T_{critical}$.

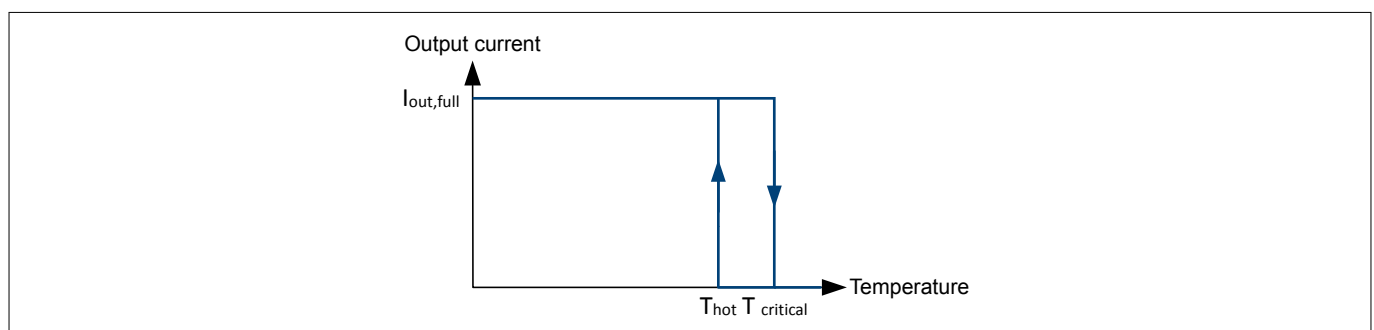


Figure 26 Temperature Protection

⁴ except VCC undervoltage protection

Functional Description

3.3.4.2 VCC Undervoltage Protection

A **Undervoltage Lockout (UVLO)** is implemented in hardware. It ensures defined enabling and disabling of the **Integrated Circuit (IC)** operation depending on the supply voltage V_{VCC} at the VCC pin in accordance with defined thresholds.

The **UVLO** contains a hysteresis with the voltage thresholds $V_{VCC,on}$ for enabling the **IC** and $V_{VCC,off}$ for disabling the IC. Once the mains input voltage is applied, current flows through an external resistor into the HV pin via the integrated depletion cell and diode to the VCC pin. The **IC** is enabled once V_{VCC} exceeds the threshold $V_{VCC,on}$ and enters normal operation if no fault condition is detected. In this phase, V_{VCC} will drop until either external supply or the self-supply via the auxiliary winding takes over the supply at the VCC pin.

In the case of output short or strong capacitive loading, the auxiliary winding cannot provide power to V_{VCC} . A timeout of $t_{start,max}$ is available to respond to this failure condition.

Note: The self-supply via the auxiliary winding must be in place before the output short timeout occurs or before V_{VCC} falls below the $V_{VCC,off}$ threshold. Otherwise, the system will perform a fast restart.

Note: It is possible to supply VCC externally from an auxiliary power supply. In this case, the VCC also needs initially to ramp to $V_{VCC,on}$ to enable the IC.

3.3.4.3 VCC Overvoltage Protection

Overvoltage protection ensures that the voltage at the VCC pin is not exceeded.

The VCC voltage is compared to a configurable overvoltage protection threshold $V_{VCC,OV}$. If the threshold is exceeded for longer than the blanking time $t_{blank,VCC,OV}$, the protection will be triggered.

Note: The reaction to this protection is fixed to stop mode to ensure a discharge of VCC.

3.3.4.4 Other General Controller Protections

XDPL8220 includes several protections to ensure the integrity and correct flow of the firmware.

- A hardware watchdog checks correct execution of firmware. A protection is triggered in the event that the firmware does not service the watchdog within a defined period.
- A hardware **Random Access Memory (RAM)** parity check triggers a protection if a bit in the memory changes unintentionally.
- A hardware clock check watchdog checks that no clock oscillator is failing.
- A firmware **Cyclic Redundancy Check (CRC)** at each startup verifies the integrity of firmware code and its parameters.
- A firmware task execution watchdog triggers a protection if the firmware tasks are not executed as expected.

3.3.5 Protection Reactions

The reaction to each protection can be separately selected. Available reactions may include auto restart, fast auto restart, latch or stop mode.

Figure 27 depicts the timing of an auto-restart reaction:

1. If a protection threshold is exceeded for longer than the related blanking time t_{blank} , the protection is triggered.
2. Within a maximum $t_1 = 4 * 32 \mu s$, the gate driver of the power stage related to the protection is disabled.
3. Within a maximum $t_2 = 4 * 32 \mu s$, the gate drivers of other stages are disabled.
4. The reaction depends on the configuration of the protection:
 - In case of latch mode, the application will enter latch mode at this time. No further steps are done, the reaction ends here.

Functional Description

- In case of stop mode, the application will stop and enter UART parametrization mode which allows to read out the error code. No further steps are done, the reaction ends here.
 - In case of a (fast) auto-restart reaction, the controller will enter a power saving mode for the auto-restart time t_{AR} or $t_{AR,fast}$ respectively.
5. The auto restart may include a new VCC charging cycle. The time t_3 typically depends on the input voltage.
 6. The first power stage will enable its gate driver according to its startup sequence (soft start) again.
 7. The second power stage will enable its gate driver according to its startup sequence (soft start) again. The startup of a subsequent power stage may be delayed by a time t_4 depending on any startup condition for the subsequent stage.

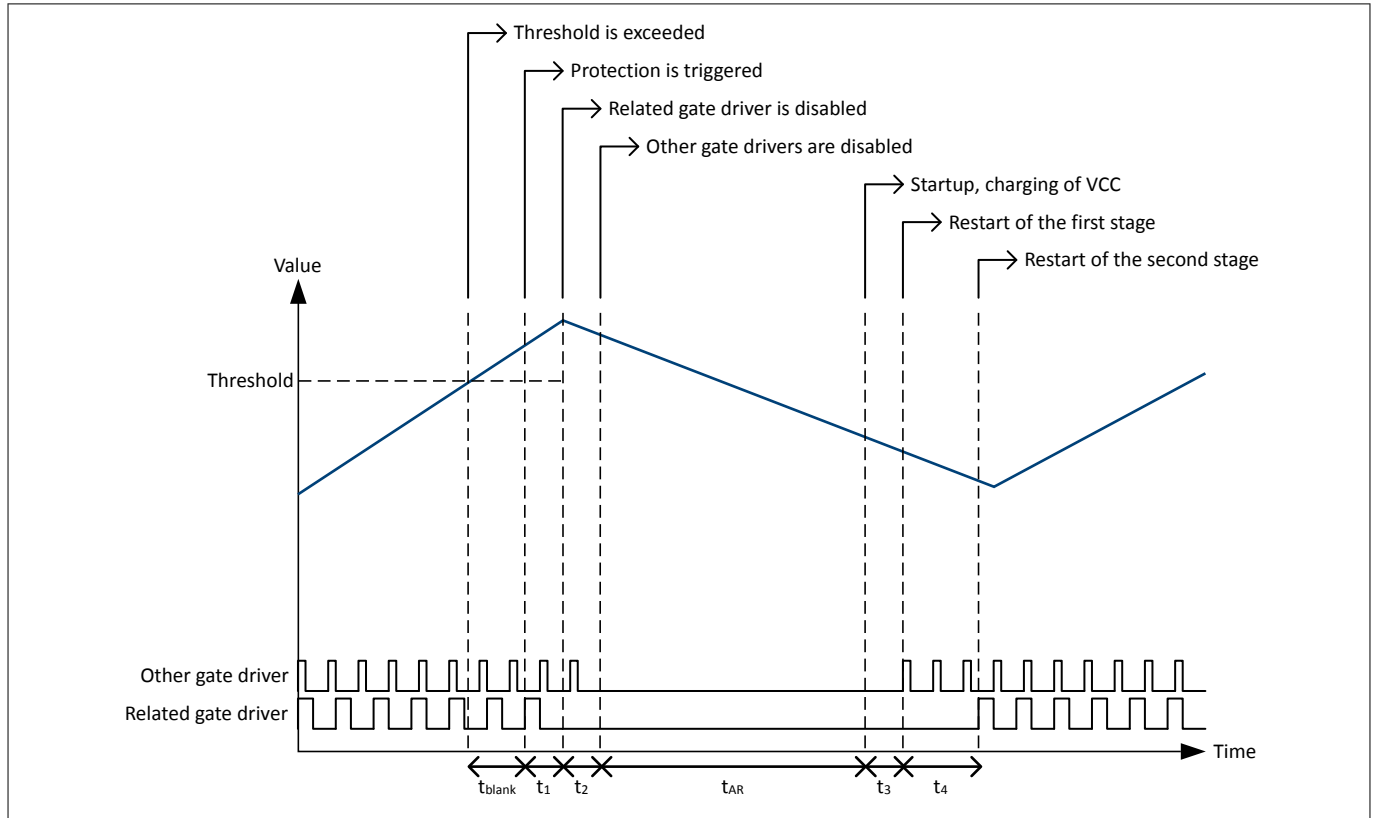


Figure 27 Protection Reaction for auto-restart

3.3.5.1 Auto restart

When auto restart mode is activated, XDPL8220 stops switching at the GD pins. After a configurable auto restart time t_{AR} , XDPL8220 initiates a new startup with soft start.

During the time in which the gate is not switching, the internal HV startup cell is automatically enabled and disabled to keep the VCC voltage between the V_{UVLO} and V_{OVLO} thresholds for the supply of XDPL8220.

3.3.5.2 Fast Auto Restart

When fast auto restart mode is activated, XDPL8220 stops switching at the GD pins. After a configurable fast auto restart time $t_{AR,fast}$, XDPL8220 initiates a new startup with soft start.

During the time in which the gate is not switching, the internal HV startup cell is automatically enabled and disabled to keep the VCC voltage between the V_{UVLO} and V_{OVLO} thresholds for the supply of XDPL8220.

Functional Description

3.3.5.3 Latch Mode

When latch mode is activated, XDPL8220 stops switching at the GD pins. The device stays in this state until input voltage is completely removed and the VCC voltage drops below the V_{UVLO} threshold. Only then can XDPL8220 be restarted by applying input voltage.

To maintain this state, the internal HV startup cell is automatically enabled and disabled to keep the VCC voltage between the V_{UVLO} and V_{OVLO} thresholds for the supply of XDPL8220. The current consumption is reduced to a minimum.

3.3.5.4 Stop Mode

When stop mode is activated, XDPL8220 stops switching at the GD pins. XDPL8220 enters **UART** communication mode to allow debugging of the system state.

Note: The VCC for XDPL8220 needs to be supplied by an external source. Without an external supply, VCC will drain to V_{UVLO} and XDPL8220 performs a restart.

Design Support

4 Design Support

XDPL8220 is a configurable digital platform product. It can be configured to meet a wide range of application requirements.

4.1 Design Procedure

Infineon provides support of the design procedure for lighting applications using Infineon's digital platform *ICs*. A lighting application is designed in a few simple steps using Infineon's digital platform *ICs* as follows:

1. The Infineon XDPL8220 reference board and the *XDPL8220 Reference Board Test Report* demonstrate the features and performance of the XDPL8220 in a typical application.
2. Parameters of the XDPL8220 reference board can easily be fitted to any application's requirements. The isolated *.dp Interface Gen2* is connected to XDPL8220 via **Universal Serial Bus (USB)**. The **GUI** tool *.dp Vision* is included with the *.dp Interface Gen2*. *.dp Vision* allows interactive changing of parameters. The usage of *.dp Vision* is explained in the *.dp Vision User Manual*.
3. To further adapt the XDPL8220 to application requirements, customers can design their own specific boards. The steps used to design a board are explained in the *XDPL8220 Design Guide*. *.dp Vision* can be used together with the *.dp Interface Gen2* to connect to customer-specific designs based on XDPL8220. This setup can be used for rapid prototyping. The tooling allows fine-tuning of parameters and development of multiple parameter sets – e.g. to reuse the same for different product variants of an application.
4. For mass production, the *XDPL8220 Programming Manual* documents the necessary interfacing and procedures to integrate the parameter configuration of XDPL8220 into the production line. **Figure 28** shows two options to easily apply the configuration of the *IC* during production tests:
 - One option is to use the isolated *.dp Interface Gen2*, which can be accessed with **USB** commands.
 - Another option is to directly use the **UART** interface of the XDPL8220. The correct VCC voltage and **UART** communication have to be controlled by the production process in this case.

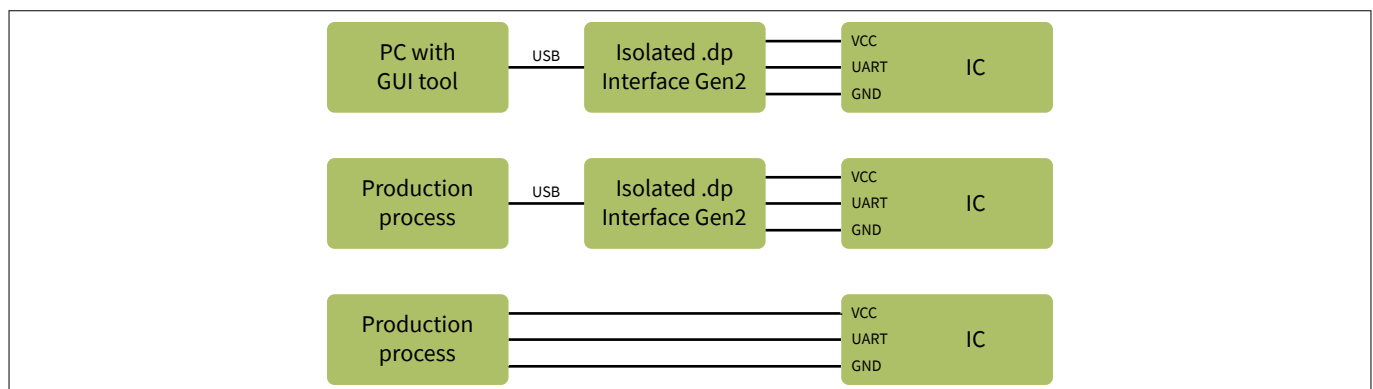


Figure 28 Setup for Parametrization using *.dp Interface Gen2* for Interactive Development (top) and Production (middle and bottom)

4.2 List of Configurable Parameters

This list provides information about configurable parameters, including their permitted range and granularity. Typical example values are also provided.

Table 2 Parameters for Hardware Configuration

Symbol	Description	Example	Minimum Value	Maximum Value	Granularity
N _a	FB auxiliary winding turns	34	1	300	1
N _p	FB primary winding turns	60	1	300	1

Design Support

Table 2 Parameters for Hardware Configuration (continued)

Symbol	Description	Example	Minimum Value	Maximum Value	Granularity
N_s	FB secondary winding turns	44	1	300	1
$R_{CS,FB}$	FB current sense resistance	410/2048 Ω	200/2048 Ω	3 Ω	1/2048 Ω
$R_{ZCD,FB,1}$	FB ZCD upper resistor	120 k Ω	50 Ω	200 k Ω	50 Ω
$R_{ZCD,FB,2}$	FB ZCD shunt resistor	7.5 k Ω	50 Ω	100 k Ω	50 Ω
$R_{VS,1}$	VS upper resistor for bus voltage measurement	9.96 M Ω	500 k Ω	15 M Ω	500 Ω
$R_{VS,2}$	VS shunt resistor for bus voltage measurement	52.3 k Ω	22 k Ω	100 k Ω	50 Ω
R_{HV}	HV resistor	100 k Ω	47 k Ω	130 k Ω	50 Ω
$V_{out,offset}$	Output voltage offset (e.g. voltage drop from secondary diode)	-0.625 V	-4.000 V	4.000 V	0.125 V
V_{GBFB}	FB gate driver voltage high level	10.5 V	4.5 V	15 V ¹⁾	1.5 V
I_{GBFB}	FB gate driver strength	100 mA	100 mA	500 mA	Selected steps
V_{GBPFC}	PFC gate driver voltage high level	10.5 V	4.5 V	15 V ²⁾	1.5 V
I_{GBPFC}	PFC gate driver strength	100 mA	30 mA	150 mA	Selected steps

Table 3 Parameters for PFC Protections

Symbol	Description	Example	Minimum Value	Maximum Value	Granularity
$t_{blank,Vbus,OVP2}$	Blanking time for bus overvoltage threshold, level 2	200 ns	0 s	640 ns	1 / f_{mclk}
$t_{blank,Vbus,OVP1}$	Blanking time for bus overvoltage threshold, level 1	400 μ s	0 s	1 ms	t_{slot}
$V_{bus,OVP1}$	Bus overvoltage threshold, level 1	490 V	$V_{bus,stdy,entr,OV}$	600 V ³⁾	1/16 V
$t_{blank,Vbus,UV}$	Blanking time for bus undervoltage threshold	500 μ s	0 s	1 ms	t_{slot}
$V_{bus,UV}$	Bus undervoltage threshold	300 V	$V_{bus,start,PFC}$	$V_{bus,stdy,entr,U}$ V	1/16 V
$t_{start,max,PFC}$	Maximum PFC soft start time to settle the bus voltage at startup	200 ms	0 s	500 ms	t_{slot}
$t_{blank,Vin,OV}$	Blanking time for input overvoltage threshold	100 ms	0 s	200 ms	t_{slot}
$t_{blank,Vin,UV}$	Blanking time for input undervoltage threshold	100 ms	0 s	200 ms	t_{slot}

¹ Limited by VCC - 0.5 V

² Limited by VCC - 0.5 V

³ Limited by the voltage rating of the bus capacitors

Design Support

Table 3 Parameters for PFC Protections (continued)

Symbol	Description	Example	Minimum Value	Maximum Value	Granularity
$V_{in,OV}$	Input overvoltage threshold	319 Vrms	$V_{in,start,max}$	424 Vrms	1/16 Vrms
$V_{in,UV}$	Input undervoltage threshold	76 Vrms	0 V	$V_{in,start,min}$	1/16 Vrms
$V_{in,start,max}$	Maximum input voltage at startup	307 Vrms	$V_{in,start,min}$	$V_{in,OV}$	1/16 Vrms
$V_{in,start,min}$	Minimum input voltage at startup	88 Vrms	$V_{in,UV}$	$V_{in,start,max}$	1/16 Vrms
$t_{blank,OCP2,PFC}$	Blanking time for the peak current limitation, level 2	200 ns	$1 / f_{mclk}$	600 ns	$1 / f_{mclk}$
$t_{blank,OCP1,PFC}$	Blanking time for the peak current limitation, level 1	200 ns	$1 / f_{mclk}$	600 ns	$1 / f_{mclk}$
$V_{CS,OCP1,PFC}$	Maximum peak current voltage	0.75 V	0.1 V	1.08 V	0.125 mV
$t_{blank,CCM,PFC}$	Blanking time for CCM protection	12 ms	0 s	30 ms	t_{slot}
Protection _{PF} C _{EN}	Bit-coded enabling per protection: If set to 1, protection is enabled.		0	65535	One-hot coded
Protection _{PF} C _{conf1}	Bit-coded reaction per protection: If set to 1, auto-restart is selected. If set to 0, either latch mode or stop is selected.		0	65535	One-hot coded
Protection _{PF} C _{conf2}	Bit-coded reaction per protection: If set to 1, fast auto restart or stop is selected. If set to 0, normal auto-restart or latch mode is enabled.		0	65535	One-hot coded
Protection _{PF} C _{conf3}	Bit-coded reaction per protection: If set to 1, limited number of restarts are enabled. If set to zero, unlimited restarts will be done.		0	65535	One-hot coded
Protection _{PF} C _{conf4}	Bit-coded reaction per protection: If set to 1, VCC charging will be enabled for auto-restarts.		0	65535	One-hot coded

Table 4 Parameters for Flyback Protections

Symbol	Description	Example	Minimum Value	Maximum Value	Granularity
$V_{out,UV}$	Output undervoltage threshold	15 V	0 V	$V_{out,start}$	0.125 V
$t_{blank,Vout,UV}$	Blanking time for output undervoltage	500 us	0 s	1 ms	t_{slot}
$t_{start,max,FB}$	Maximum FB startup time to detect an output short at startup	5 ms	0 s	200 ms	t_{slot}
$V_{out,OV}$	Output overvoltage threshold	55 V	$V_{out,start}$	200 V	0.125 V
$t_{blank,Vout,OV}$	Blanking time for output overvoltage	500 us	0 s	1 ms	t_{slot}
$t_{blank,CCM}$	Blanking time for CCM protection	500 us	0 s	1 ms	t_{slot}
$I_{out,OC}$	Output overcurrent threshold	3 A	$I_{out,full}$	10 A	0.5 mA
$t_{blank,Iout,OC}$	Blanking time for output overcurrent	500 us	0 s	1 ms	t_{slot}
$P_{out,OP}$	Output overpower threshold	120 W	$P_{out,set}$	300 W	0.5 W
$t_{blank,Pout,OP}$	Blanking time for output overpower	500 us	0 s	1 ms	t_{slot}

Design Support

Table 4 Parameters for Flyback Protections (continued)

Symbol	Description	Example	Minimum Value	Maximum Value	Granularity
$t_{blank,Vbus,FB}$	Blanking time for bus voltage plausibility check	500 us	0 s	1 ms	t_{slot}
$t_{blank,CSFB2GN D}$	Blanking time for the CSFB-to-GND-short check	100 us	0 s	500 us	t_{slot}
$t_{blank,TOSC,FB}$	Blanking time for the $t_{OSC,FB}$ being overly long check	40 ms	0 ms	100 ms	20 ms
Protection _{FB, EN}	Bit-coded enabling per protection: If set to 1, protection is enabled.		0	65535	One-hot coded
Protection _{FB, conf1}	Bit-coded reaction per protection: If set to 1, auto-restart is selected. If set to 0, either latch mode or stop is selected.		0	65535	One-hot coded
Protection _{FB, conf2}	Bit-coded reaction per protection: If set to 1, Fast Auto-restart or Stop is selected. If set to 0, normal Auto-restart or latch mode is enabled)		0	65535	One-hot coded
Protection _{FB, conf3}	Bit-coded reaction per protection: If set to 1, limited number of restarts are enabled. If set to zero, unlimited restarts are enabled.		0	65535	One-hot coded
Protection _{FB, conf4}	Bit-coded reaction per protection: If set to 1, VCC charging will be enabled for auto-restarts.		0	65535	One-hot coded

Table 5 Parameters for General Protections

Symbol	Description	Example	Minimum Value	Maximum Value	Granularity
$V_{VCC,OV}$	VCC overvoltage threshold	24.75 V	6 V	24.75 V	0.125 V
$t_{blank,VCC,OV}$	Blanking time for VCC overvoltage	5 ms	0 s	10 ms	t_{slot}
Protection _{ge n,EN}	Bit-coded enabling per protection: If set to 1, protection is enabled.		0	65535	One-hot coded
Protection _{ge n,conf1}	Bit-coded reaction per protection: If set to 1, auto-restart is selected. If set to 0, either latch mode or stop is selected.		0	65535	One-hot coded
Protection _{ge n,conf2}	Bit-coded reaction per protection: If set to 1, fast auto-restart or stop is selected. If set to 0, normal auto-restart or latch mode is enabled)		0	65535	One-hot coded
Protection _{ge n,conf3}	Bit-coded reaction per protection: If set to 1, limited number of restarts are enabled. If set to zero, unlimited restarts are enabled.		0	65535	One-hot coded
Protection _{ge n,conf4}	Bit-coded reaction per protection: If set to 1, VCC charging will be enabled for auto-restarts.		0	65535	One-hot coded

Design Support

Table 5 Parameters for General Protections (continued)

Symbol	Description	Example	Minimum Value	Maximum Value	Granularity
t_{AR}	Auto-restart time	1 s	250 ms	4 s	250 ms
$t_{AR,fast}$	Fast auto-restart time	40 ms	5 ms	4 s	5 ms
$N_{AR,max}$	Maximum number of restarts, afterwards latch	10	0	15	1

Table 6 Parameters for Adaptive Temperature Protection

Symbol	Description	Example	Minimum Value	Maximum Value	Granularity
$T_{critical}$	Shutoff temperature	110°C	T_{hot}	125°C	1°C
T_{hot}	Temperature for thermal management	100°C	60°C	$T_{critical}$	1°C
$R_{NTC,hot}$	NTC resistance at T_{hot}	1500 Ω	1 Ω	30000 Ω	1 Ω
$R_{NTC,critical}$	NTC resistance at $T_{critical}$	800 Ω	1 Ω	30000 Ω	1 Ω
t_{step}	Current reduction time step	2 s	1 s	20 s	$2^{14}t_{slot}$
$I_{out,red}$	Lowest reduced current for thermal management	200 mA	$I_{out,min}$	$I_{out,full}$	0.5 mA
$I_{out,step}$	Output current step	5 mA	0.5 mA	$I_{out,full} - I_{out,red}$	0.5 mA

Table 7 Parameters for Startup and Shutdown

Symbol	Description	Example	Minimum Value	Maximum Value	Granularity
$t_{softstart}$	Soft start time step	0.5 ms	0.1 ms	2 ms	t_{slot}
V	Maximum peak current voltage during startup CS, max, start, FB	0.9 V	$V_{CS,min,FB}$	$V_{CS,max,FB}$	0.125 mV
$V_{CS,CS,step}$	Soft start voltage limit step	0.3 V	0.1 V	$V_{CS,OC1, start}$	0.125 mV
$V_{out,start}$	Output startup voltage	10 V	$V_{out,UV}$	$V_{out,set}$	0.125 V
$t_{sw,start,FB}$	Minimum switching period during startup	1 / 20 kHz	$t_{sw,min}$	$t_{sw,max,FB}$	1 / f_{mclk}
$V_{bus,start,FB}$	Bus voltage FB startup threshold	350 V	0 V	$V_{bus,set}$	1/16 V
$V_{bus,start,PFC}$	Bus voltage PFC startup threshold in case of DC input	75 V	0 V	$V_{bus,UV}$	1/16 V

Table 8 Parameters for PFC Control Loop

Symbol	Description	Example	Minimum Value	Maximum Value	Granularity
$SVP_{startup}$	PIT1 proportional gain in soft start	4	0	15	1
$SVI_{startup}$	PIT1 integral gain in soft start	7	0	15	1
SVP_{stdy}	PIT1 proportional gain in steady state	4	0	15	1
SVI_{stdy}	PIT1 integral gain in steady state	7	0	15	1

Design Support

Table 8 Parameters for PFC Control Loop (continued)

Symbol	Description	Example	Minimum Value	Maximum Value	Granularity
SVT	PIT1 gain of the T1 filter	6	0	15	1
ESAT	PIT1 error limitation in soft start	16384	0	32767	1
$t_{on,max,PFC}$	PIT1 maximum on-time limit	35 μ s	15 μ s	40 μ s	$1 / f_{mclk}$
$t_{on,min,PFC}$	PIT1 minimum on-time limit	200 ns	0 μ s	$t_{LEB,PFC}$	$1 / f_{mclk}$
$t_{sw,max,PFC}$	Maximum switching period	$1 / 22$ kHz	$t_{sw,min,PFC}$	$1 / 20$ kHz	$1 / f_{mclk}$
$t_{sw,min,PFC}$	Minimum switching period	$1 / 120$ kHz	$1 / 200$ kHz	$t_{sw,max,PFC}$	$1 / f_{mclk}$
$N_{valley,max,PFC}$	Upper boundary for valley number	5	1	5	1
$t_{valley,blanking,PFC}$	Blanking time for valley change	500 μ s	0 s	1 ms	t_{slot}
$V_{bus,set}$	Bus voltage setpoint	460 V	$V_{bus,UV}$	$V_{bus,OVP1}$	$1/16$ V
$V_{bus,stdy,entr,OV}$	Bus voltage steady state entry overvoltage threshold	472 V	$V_{bus,set}$	$V_{bus,OVP1}$	$1/16$ V
$V_{bus,stdy,entr,UV}$	Bus voltage steady state entry undervoltage threshold	448 V	$V_{bus,UV}$	$V_{bus,set}$	$1/16$ V

Table 9 Parameters for Flyback Control Loop

Symbol	Description	Example	Minimum Value	Maximum Value	Granularity
$b_{0,DCM}$	b_0 gain of control loop in DCM	$5353 / f_{mclk}/256$	0	$8192 / f_{mclk}/256$	$1 / f_{mclk}/256$
$b_{1,DCM}$	b_1 gain of control loop in DCM	$-53 / f_{mclk}/256$	$-8192 / f_{mclk}/256$	0	$1 / f_{mclk}/256$
$b_{0,QRM1}$	b_0 gain of control loop in QRM1	$6060 / 65536$ V	0 V	$16384 / 65536$ V	$1 / 65536$ V
$b_{1,QRM1}$	b_1 gain of control loop in QRM1	$-60 / 65536$ V	$-16384 / 65536$ V	0 V	$1 / 65536$ V
$K_{P,CV}$	Proportional gain for CV mode	1.9	0	16	0.125
$K_{D,CV}$	Derivative gain for CV mode		28	128	0.125
$P_{out,set}$	Output power limit	100 W	0	150 W	0.5 W
$I_{out,full}$	Non-dimmed output current	2.0 A	$I_{out,min}$	3 A	0.5 mA
$V_{out,set}$	Output voltage setpoint	48 V	$V_{out,UV}$	$V_{out,OV}$	0.125 V
$t_{on,max,FB}$	Maximum on-time limit	15 μ s	$V_{CS,max,FB} / R_{CS,FB} * L_p / V_{bus,UV}$ ⁴⁾	25 μ s	$1 / f_{mclk}$
$t_{sw,max,FB}$	Maximum switching period	$1 / 20$ kHz	$t_{sw,min,FB}$	$1 / 16$ kHz	$1 / f_{mclk}$
$t_{sw,min,FB}$	Minimum switching period	$1 / 150$ kHz	$1 / 150$ kHz	$t_{sw,max,FB}$	$1 / f_{mclk}$
$V_{CS,max,FB}$	Maximum peak current voltage	1.09 V	$V_{CS,min,FB}$	$92\% * 1.214$ V	0.125 mV

⁴ Maximum on-time occurs if maximum power is transferred at minimum bus voltage.

Design Support

Table 9 Parameters for Flyback Control Loop (continued)

Symbol	Description	Example	Minimum Value	Maximum Value	Granularity
$V_{CS,min,FB}$	Minimum peak current voltage	0.4 V	$t_{demag,min,FB} * N_p / N_s *$ $V_{out,OV} / L_p *$ $R_{CS,FB}$ ⁵⁾	$V_{CS,max,FB}$	0.125 mV

Table 10 Parameters for Dimming

Symbol	Description	Example	Minimum Value	Maximum Value	Granularity
$D_{DIM,max}$	PWM duty cycle for maximum current	90%	5%	95%	0.25%
$D_{DIM,min}$	PWM duty cycle for minimum current	10%	5%	95%	0.25%
$D_{DIM,on}$	PWM duty cycle to exit dim-to-off	5%	5%	95%	0.25%
$D_{DIM,off}$	PWM duty cycle to enter dim-to-off	5%	5%	95%	0.25%
$t_{blank,DIM,off}$	Blanking time until when the PWM input has to be available before dim-to-off is triggered	1 ms	0 ms	10 ms	t_{slot}
N_{DIM}	Integer dimming curve coefficient	1	1	2	1
$I_{out,min}$	Minimum output current	20 mA	20 mA	$I_{out,full}$	0.5 mA
n_PWM_hys	PWM detection hysteresis to suppress jitter in the PWM signal	0	6	40	1

Table 11 Parameters for Fine Tuning

Symbol	Description	Example	Minimum Value	Maximum Value	Granularity
$K_{coupling}$	FB transformer coupling coefficient	0.98	0.5	2	0.001
$t_{LEB,FB}$	FB Current sense leading edge blanking	200 ns	$1 / f_{mclk}$	600 ns	$1 / f_{mclk}$
$t_{OCP2,FB}$	FB OCP2 blanking time	250 ns	$1 / f_{mclk}$	$63 / f_{mclk}$	$1 / f_{mclk}$
t_{PDC}	FB Propagation delay compensation	500 ns	$t_{OCP1,FB}$	2 μ s	$1 / f_{mclk}$
$t_{OCP1,FB}$	FB OCP1 spike suppression filter	100 ns	50 ns	500 ns	$1 / f_{mclk}$
$t_{CSFB,offset}$	FB sampling offset	200 ns	50 ns	500 ns	$1 / f_{mclk}$
$t_{sw,hysteresis}$	FB switching period hysteresis for QRM/DCM mode changes	600 ns	20 ns	1000 ns	$1 / f_{mclk}$
$t_{rsup,FB}$	FB ZCD ringing suppression	1.2 μ s	$1 / f_{mclk}$	2 μ s	$1 / f_{mclk}$
$t_{ZCD,PD,FB}$	FB Delay of zero-crossing signal	200 ns	0 s	1 μ s	$1 / f_{mclk}$
$t_{ZCD,PD,RE,FB}$	FB Rising edge delay of zero-crossing signal	450 ns	0 s	1 μ s	$1 / f_{mclk}$
$t_{gate,on}$	FB Turn-on delay of MOSFET	100 ns	0 s	1 μ s	$1 / f_{mclk}$
$t_{LEB,PFC}$	PFC On-time leading edge blanking	200 ns	$1 / f_{mclk}$	600 ns	$1 / f_{mclk}$

⁵ The minimum peak current must ensure that $t_{demag,min,FB}$ is maintained.

Design Support

Table 11 Parameters for Fine Tuning (continued)

Symbol	Description	Example	Minimum Value	Maximum Value	Granularity
$t_{zCD,PD,PFC}$	PFC Delay of 0.5 V crossing to real zero-crossing signal	42 ns	-1 us	1 us	$1 / f_{mclk}$
$N_{tosc,upd,PFC}$	PFC AC half cycle number to take oscillation measurement	0	0	255	1
$t_{osc,init,PFC}$	PFC Oscillation period initialization value	1.5 us	0 s	8 us	$1 / f_{mclk}$
$t_{osc,delay,PFC}$	PFC Delay after zero-crossing to measure oscillation period	2 ms	0 s	12 ms	t_{slot}
$k_{i,PFC}$	PFC THD optimization coefficient	0.75	0	16	0.125
$t_{src,blanking,PF C}$	Blanking time for AC/DC source change	12 ms	12 ms	30 ms	1 ms
$t_{rms,reset,PFC}$	Reset time of RMS search	20 ms	$t_{src,blanking,PF C}$	30 ms	1 ms

4.3 List of Fixed Parameters

This list shows the fixed parameters and their associated values – i.e. parameters whose values cannot be changed.

Table 12 List of Fixed Parameters

Symbol	Description	Value
$V_{CS,OCp2}$	Primary overcurrent protection	1.619 V
$t_{demag,min,FB}$	FB minimum demagnetizing time	2.0 us
V_{UVOFF}	VCC undervoltage threshold	6.07 V
f_{mclk}	Main clock frequency	50.0 MHz
t_{slot}	Firmware task scheduling interval	32 us
V_{REF}	Internal reference voltage	2.428 V
$k_{pkto rms}$	Constant to convert from peak to RMS values	0.707 (approx. 181/256)
$C_{IIR,PFC}$	Coefficient of the IIR LP filter for bus voltage	4

Electrical Characteristics and Parameters

5 Electrical Characteristics and Parameters

All signals are measured with respect to the ground pin, GND. The voltage levels are valid provided other ratings are not violated.

5.1 Package Characteristics

Table 13 Package Characteristics

Parameter	Symbol	Limit Values		Unit	Remarks
		min	max		
Thermal resistance for PG-DSO-16	R_{thJA}	—	119	K/W	

5.2 Absolute Maximum Ratings

Attention: *Stresses above the values listed above may cause permanent damage to the device. Exposure to absolute maximum rating conditions for extended periods may affect device reliability. Maximum ratings are absolute ratings; exceeding only one of these values may cause irreversible damage to the integrated circuit. These values are not tested during production test.*

Table 14 Absolute Maximum Ratings

Parameter	Symbol	Limit Values		Unit	Remarks
		min	max		
Voltage externally supplied to pin VCC	V_{VCCEXT}	-0.5	26	V	voltage that can be applied to pin VCC by an external voltage source
Voltage at pin GDx	V_{GDx}	-0.5	$V_{VCC} + 0.3$	V	if gate driver is not configured for digital I/O
Junction temperature	T_J	-40	125	°C	max. operating frequency 66 MHz f_{MCLK}
Storage temperature	T_S	-55	150	°C	
Soldering temperature	T_{SOLD}	—	260	°C	Wave Soldering ¹⁾
Latch-up capability	I_{LU}	—	150	mA	²⁾ Pin voltages acc. to abs. max. ratings
ESD capability HBM	V_{HBM}	—	2000	V	³⁾
ESD capability CDM	V_{CDM}	—	500	V	⁴⁾

¹ According to JESD22-A111 Rev A.

² Latch-up capability according to JEDEC JESD78D, $T_A = 85^\circ\text{C}$.

³ ESD-HBM according to ANSI/ESDA/JEDEC JS-001-2012.

⁴ ESD-CDM according to JESD22-C101F.

Electrical Characteristics and Parameters

Table 14 Absolute Maximum Ratings (continued)

Parameter	Symbol	Limit Values		Unit	Remarks
		min	max		
Input Voltage Limit	V_{IN}	-0.5	3.6	V	Voltage externally supplied to pins GPIO, MFIO, CS, ZCD, GPIO, VS, GDx (if GDx is configured as digital I/O). (If not stated different)
Maximum permanent negative clamping current for ZCD and CS	$-I_{CLN_DC}$	—	2.5	mA	RMS
Maximum transient negative clamping current for ZCD and CS	$-I_{CLN_TR}$	—	10	mA	pulse < 500ns
Maximum negative transient input voltage for ZCD	$-V_{IN_ZCD}$	—	1.5	V	pulse < 500ns
Maximum negative transient input voltage for CS	$-V_{IN_CS}$	—	3.0	V	pulse < 500ns
Maximum permanent positive clamping current for CS	I_{CLP_DC}	—	2.5	mA	RMS
Maximum transient positive clamping current for CS	I_{CLP_TR}	—	10	mA	pulse < 500ns
Maximum current into pin VIN	I_{AC}	—	10	mA	for charging operation
Maximum sum of input clamping high currents for digital input stages of device	I_{CLH_sum}	—	300	μ A	limits for each individual digital input stage have to be respected
Voltage at HV pin	V_{HV}	-0.5	600	V	

5.3 Operating Conditions

The recommended operating conditions are shown for which the DC Electrical Characteristics are valid.

Table 15 Operating Range

Parameter	Symbol	Limit Values		Unit	Remarks
		min	max		
Ambient temperature	T_A	-40	85	°C	
Junction Temperature	T_J	-40	125	°C	max. 66 MHz f_{MCLK}
Lower VCC limit	V_{VCC}	V_{UVOFF}	—	V	device is held in reset when $V_{VCC} < V_{UVOFF}$
Voltage externally supplied to VCC pin	V_{VCCEXT}	—	24	V	maximum voltage that can be applied to pin VCC by an external voltage source
Gate driver pin voltage	V_{GD}	-0.5	$V_{VCC} + 0.3$	V	

Electrical Characteristics and Parameters

5.4 DC Electrical Characteristics

The electrical characteristics provide the spread of values applicable within the specified supply voltage and junction temperature range, T_J from $-40\text{ }^\circ\text{C}$ to $+125\text{ }^\circ\text{C}$.

Devices are tested in protection at $T_A = 25\text{ }^\circ\text{C}$. Values have been verified either with simulation models or by device characterization up to $125\text{ }^\circ\text{C}$.

Typical values represent the median values related to $T_A = 25\text{ }^\circ\text{C}$. All voltages refer to GND, and the assumed supply voltage is $V_{VCC} = 18\text{ V}$ if not otherwise specified.

Note: Not all values given in the tables are tested during production testing. Values not tested are explicitly marked.

Attention: *The Vcc pin voltage must be higher than 3.4V before the voltage of any other pins (except GND and HV pins) exceeds 1.2V.*

Table 16 Power Supply Characteristics

Parameter	Symbol	Values			Unit	Note or Test Condition
		Min.	Typ.	Max.		
VCC_ON threshold	V_{VCCon}	—	V_{SELF}	—	V	Self-powered startup (default)
VCC_ON_SELF threshold	V_{SELF}	19	20.5	22	V	$dV_{VCC}/dt = 0.2\text{ V/ms}$
VCC_ON_SELF delay	t_{SELF}	—	—	2.1	μs	Reaction time of V_{VCC} monitor
VCC_UVOFF current	$I_{VCCUVOFF}$	5	20	40	μA	$V_{VCC} < V_{SELF}(\text{min}) - 0.3\text{ V}$ or $V_{VCC} < V_{EXT}(\text{min}) - 0.3\text{ V}^5$
UVOFF threshold	V_{UVOFF}	—	6.0	—	V	$\text{SYS_CFG0.SELUVTHR} = 00_B$
UVOFF threshold tolerance	Δ_{UVOFF}	—	—	± 5	%	This value defines the tolerance of V_{UVOFF}
UVOFF filter constant	t_{UVOFF}	600	—	—	ns	1V overdrive
UVLO (UVWAKE) threshold	V_{UVLO}	—	$V_{UVOFF} \cdot 1.25$	—	V	
UVWAKE threshold tolerance	Δ_{UVLO}	—	—	± 5	%	This value defines the tolerance of V_{UVLO}
UVLO (UVWAKE) filter constant	t_{UVLO}	0.6	—	2.2	μs	1 V overdrive
OVLO (OVWAKE) threshold	V_{OVLO}	—	V_{SELF}	—	V	
OVLO (OVWAKE) filter constant	t_{OVLO}	0.6	—	2.4	μs	1 V overdrive

⁵ Tested at $V_{VCC} = 5.5\text{ V}$

Electrical Characteristics and Parameters

Table 16 Power Supply Characteristics (continued)

Parameter	Symbol	Values			Unit	Note or Test Condition
		Min.	Typ.	Max.		
VDDP voltage	V _{VDDP}	3.04	3.20	3.36	V	At PMD0/PSMD1. Some internal values refer to V _{VDDP} / V _{VDDA} and V _{VDDPPS} / V _{VDDAPS} respectively.
VDDA voltage	V _{VDDA}	3.20	3.31	3.42	V	At PMD0/PSMD1. Some internal values refer to V _{VDDP} / V _{VDDA} and V _{VDDPPS} / V _{VDDAPS} respectively.
Nominal range 0% to 100%	V _{ADCVCC}	0	—	V _{REF}	V	V _{ADCVCC} = 0.09 · V _{VCC} ⁶⁾
Reduced VCC range for ADC measurement	R _{ADCVCC}	8	—	92	%	⁷⁾⁸⁾
Maximum error for ADC measurement (8-bit result)	TET0 _{VCC}	—	—	3.8	LSB ₈	
Maximum error for ADC measurement (8-bit result)	TET256 _{VCC}	—	—	5.2	LSB ₈	
Gate driver current consumption excl. gate charge current	I _{VCCGD}	—	0.26	0.35	mA	T _j ≤ 125 °C
VCC quiescent current in PMD0	I _{VCCPMD0}	—	11	13	mA	All registers have reset values, clock is active at 66 MHz, CPU is stopped, T _j ≤ 85 °C
VCC quiescent current in PMD0	I _{VCCPMD0}	—	—	14.5	mA	All registers have reset values, clock is active at 66 MHz, CPU is stopped, T _j ≤ 125 °C
VCC quiescent current in power saving mode PSDM3 with standby logic active	I _{VCCPSMD3}	—	0.25	0.45	mA	T _j ≤ 125 °C WU_PWD_CFG = 28 _H
VCC quiescent current in power saving mode PSDM4 with standby logic active	I _{VCCPSMD4}	—	0.14	0.23	mA	T _j ≤ 125 °C WU_PWD_CFG = 00 _H

⁶ Theoretical minimum value, real minimum value is related to V_{UVOFF} threshold.

⁷ Operational values.

⁸ Note that the system is turned off if V_{VCC} < V_{UVOFF}.

Electrical Characteristics and Parameters

Table 17 Electrical Characteristics of the GDFB Pin

Parameter	Symbol	Values			Unit	Note or Test Condition
		Min.	Typ.	Max.		
Input clamping current, low	$-I_{CLL}$	—	—	100	μA	only digital input
Input clamping current, high	I_{CLH}	—	—	100	μA	only digital input
APD low voltage (active pull-down while device is not powered or gate driver is not enabled)	V_{APD}	—	—	1.6	V	$I_{GD} = 5 \text{ mA}$
R_{PPD} value	R_{PPD}	—	600	—	k Ω	Permanent pull-down resistor inside gate driver
R_{PPD} tolerance	Δ_{PPD}	—	—	± 25	%	Permanent pull-down resistor inside gate driver
Driver output low impedance for GD0	R_{GDL}	—	—	4.4	Ω	$T_J \leq 125 \text{ }^\circ\text{C}$, $I_{GD} = 0.1 \text{ A}$
Nominal output high voltage in PWM mode	V_{GDH}	—	10.5	—	V	$\text{GDx_CFG.VOL} = 3$, $I_{GDH} = -1 \text{ mA}$
Output voltage tolerance	Δ_{VGDH}	—	—	± 5	%	Tolerance of programming options if $V_{GDH} > 10 \text{ V}$, $I_{GDH} = -1 \text{ mA}$
Rail-to-rail output high voltage	V_{GDHRR}	$V_{VCC} - 0.5$	—	V_{VCC}	V	If $V_{VCC} < \text{programmed } V_{GDH}$ and output at high state
Output high current in PWM mode for GD0	$-I_{GDH}$	—	100	—	mA	$\text{GDx_CFG.CUR} = 8$
Output high current tolerance in PWM mode	Δ_{IGDH}	—	—	± 15	%	Calibrated ⁹⁾
Discharge current for GD0	I_{GDDIS}	800	—	—	mA	$V_{GD} = 4 \text{ V}$ and driver at low state
Output low reverse current	$-I_{GDREVL}$	—	—	100	mA	Applies if $V_{GD} < 0 \text{ V}$ and driver at low state
Output high reverse current in PWM mode	$I_{GDREVLH}$	—	1/6 of I_{GDH}	—		Applies if $V_{GD} > V_{GDH} + 0.5 \text{ V (typ)}$ and driver at high state

⁹ referred to $\text{GDx_CFG.CUR} = 16$

Electrical Characteristics and Parameters

Table 18 Electrical Characteristics of the CSFB Pin

Parameter	Symbol	Values			Unit	Note or Test Condition
		Min.	Typ.	Max.		
Input voltage operating range	V_{INP}	-0.5	—	3.0	V	
OCP2 comparator reference voltage, derived from V_{VDPA} , given values assuming $V_{VDPA} = V_{VDPA,typ}$	V_{OCP2}	—	1.6	—	V	SYS_CFG0.OCP2 = 00 _B
Threshold voltage tolerance	ΔV_{OCP2}	—	—	±5	%	Voltage divider tolerance
Comparator propagation delay	t_{OCP2PD}	15	—	35	ns	
Minimum comparator input pulse width	t_{OCP2PW}	—	—	30	ns	
OCP2F comparator propagation delay	$t_{OCP2FPD}$	70	—	170	ns	$dV_{CS}/dt = 100 \text{ V}/\mu\text{s}$
Delay from V_{CS} crossing V_{CSOCP2} to begin of GDx turn-off ($I_{GD0} > 2\text{mA}$)	$t_{CSGDxOCP2}$	125	135	190	ns	$dV_{CS}/dt = 100 \text{ V}/\mu\text{s}$; $f_{MCLK} = 66 \text{ MHz}$. GDx driven by QR_GATE FIL_OCP2.STABLE = 3
OCP1 operating range	V_{OCP1}	0	—	$V_{REF}/2$	V	RANGE = 00 _B
OCP1 threshold at full scale setting (CS_OCP1LVL=FF _H) for CS0	V_{OCP1FS}	1192	1229	1266	mV	RANGE = 00 _B
Delay from V_{CS} crossing V_{CSOCP1} to CS_OCP1 rising edge, 1.2 V range	t_{CSOCP1}	90	170	250	ns	Input signal slope $dV_{CS}/dt = 150 \text{ mV}/\mu\text{s}$. This slope represents a use case of a switch-mode power supply with minimum input voltage.
Delay from CS_OCP1 rising edge to QR_GATE falling edge	$t_{OCP1GATE}$	—	—	12	ns	STB_RET31. OCP_ASM_SEL=0
Delay from QR_GATE falling edge to start of GDx turn-off	$t_{GATEGDx}$	1	3	5	ns	GDx driven by QR_GATE. Measured up to $I_{GDx} > 2 \text{ mA}$
OCP1 comparator input single pulse width filter	t_{OCP1PW}	60	—	95	ns	Shorter pulses than min. are suppressed, longer pulses than max. are passed

Electrical Characteristics and Parameters

Table 18 Electrical Characteristics of the CSFB Pin (continued)

Parameter	Symbol	Values			Unit	Note or Test Condition
		Min.	Typ.	Max.		
Nominal S&H operating range 0% to 100%	V_{CSH}	0	—	$V_{REF}/2$	V	CS_ICR.RANGE =00 _B
Reduced S&H operating range	RR _{CVSH}	8	—	92	%	CS_ICR.RANGE =00 _B Operational values
Maximum error of CS0 S&H for corrected measurement (8-bit result)	TET0 _{CS0S}	—	—	4.7	LSB	CS_ICR.RANGE =00 _B
Maximum error of CS0 S&H for corrected measurement (8-bit result)	TET256 _{CS0S}	—	—	6.0	LSB	CS_ICR.RANGE =00 _B
Nominal S&H operating range 0% to 100%	V_{CSH}	0	—	$V_{REF}/6$	V	CS_ICR.RANGE =11 _B
Reduced S&H operating range	RR _{CVSH}	20	—	80	%	CS_ICR.RANGE =11 _B Operational values
Maximum error of CS0 S&H for corrected measurement (8-bit result)	TET0 _{CS0S}	—	—	8.0	LSB	CS_ICR.RANGE =11 _B
Maximum error of CS0 S&H for corrected measurement (8-bit result)	TET256 _{CS0S}	—	—	8.7	LSB	CS_ICR.RANGE =11 _B
S&H delay of input buffer	t_{CSHST}	—	—	510	ns	Referring to jump in input voltage. Limits the minimum gate driver T_{on} time.

Table 19 Electrical Characteristics of the ZCD Pin

Parameter	Symbol	Values			Unit	Note or Test Condition
		Min.	Typ.	Max.		
Input voltage operating range	V_{INP}	-0.5	—	3.3	V	
Input clamping current, high	I_{CLH}	—	—	100	μA	
Zero-crossing threshold	V_{ZCTHR}	15	40	70	mV	
Comparator propagation delay	t_{ZCPD}	30	50	70	ns	$dV_{ZCD}/dt = 4 V/\mu s$

Electrical Characteristics and Parameters

Table 19 Electrical Characteristics of the ZCD Pin (continued)

Parameter	Symbol	Values			Unit	Note or Test Condition
		Min.	Typ.	Max.		
Input voltage negative clamping level	$-V_{INPCLN}$	140	180	220	mV	Analog clamp activated
Nominal I/V-conversion operating range 0% to 100%	$-I_{IV}$	0	—	4	mA	CRNG = 00 _B Gain = 600 mV/mA
Reduced I/V-conversion operating range	RR _{IV}	5	—	80	%	
Maximum error for corrected ADC measurement (8-bit result)	TET0 _{IV}	—	—	4.1	LSB ₈	CRNG = 00 _B
Maximum error for corrected ADC measurement (8-bit result)	TET256 _{IV}	—	—	9.7	LSB ₈	CRNG = 00 _B
Maximum deviation between ZCD clamp voltage and trim result stored in OTP	E _{ZCDClp}	—	—	±5	%	$-I_{IV} > 0.25$ mA
IV-conversion delay of input buffer	t _{IVST}	—	—	900	ns	Refers to jump in input current ¹⁰⁾
Nominal S&H input voltage range 0% to 100%	V _{ZSH}	0	—	$2/3 \cdot V_{REF}$	V	SHRNG = 0 _B
Nominal S&H input voltage range 0% to 100%	V _{ZSH}	$V_{REF} / 2$	—	$7/6 \cdot V_{REF}$	V	SHRNG = 1 _B
Reduced S&H input voltage range	RR _{ZVSH}	4	—	95	%	
Maximum error for corrected ADC measurement (8-bit result)	TET0 _{ZVS0}	—	—	3.7	LSB ₈	SHRNG = 0 _B
Maximum error for corrected ADC measurement (8-bit result)	TET256 _{ZVS0}	—	—	4.9	LSB ₈	SHRNG = 0 _B

¹⁰ Limits the minimum gate driver T_{on} time.

Electrical Characteristics and Parameters

Table 19 Electrical Characteristics of the ZCD Pin (continued)

Parameter	Symbol	Values			Unit	Note or Test Condition
		Min.	Typ.	Max.		
Maximum error for corrected ADC measurement (8-bit result)	TET0 _{ZVS1}	—	—	4.2	LSB ₈	SHRNG = 1 _B
Maximum error for corrected ADC measurement (8-bit result)	TET256 _{ZVS1}	—	—	5.8	LSB ₈	SHRNG = 1 _B
S&H delay of input buffer referring to jump of input voltage	t _{ZSHST}	—	—	1.0	μs	SHRNG = 0 _B T _J ≤ 125 °C
S&H delay of input buffer referring to jump of input voltage	t _{ZSHST}	—	—	1.6	μs	SHRNG = 1 _B T _J ≤ 125 °C

Table 20 Electrical Characteristics of the VS Pin

Parameter	Symbol	Values			Unit	Note or Test Condition
		Min.	Typ.	Max.		
Nominal measurement range 0% to 100%	V _{VS}	0	—	V _{REF}	V	Gain 1, no offset
Nominal measurement range 0% to 100%	V _{VS}	5/6·V _{REF}	—	7/6·V _{REF}	V	Gain 3, with offset
Reduced operating range	RR _{VVS}	5	—	95	%	Gain 1, no offset
Reduced operating range	RR _{VVS}	10	—	90	%	Gain 3, with offset
Maximum error for corrected measurement (8-bit result)	TET0 _{VS}	—	—	4.1	LSB ₈	Range 1, no offset
Maximum error for corrected measurement (8-bit result)	TET256 _{VS}	—	—	5.6	LSB ₈	Range 1, no offset
Maximum error for corrected measurement (8-bit result)	TET0 _{VS}	—	—	12.0	LSB ₈	Range 2, with offset
Maximum error for corrected measurement (8-bit result)	TET256 _{VS}	—	—	12.9	LSB ₈	Range 2, with offset
Overvoltage comparator threshold	THR _{OV}	2.70	2.8	2.90	V	
Overvoltage comparator propagation delay	t _{PDOV}	—	—	300	μs	Step at input

Electrical Characteristics and Parameters

Table 21 Electrical Characteristics of the HV Pin

Parameter	Symbol	Values			Unit	Note or Test Condition
		Min.	Typ.	Max.		
Leakage current at HV pin	I_{HVleak}	—	—	10	μA	$V_{HV} = 600 V$ HV startup cell disabled
Nominal current for measurement path 0% to 100%	I_{MEAS}	0	—	4.8	mA	CURRNG = 10 _B
Reduced measurement range for current path	RR _{IMEAS}	5	—	80	%	CURRNG = 10 _B . Operational values.
Maximum error for corrected ADC measurement (8-bit result, temperature gain correction applied)	TET0 _{DP}	—	—	3.7	LSB ₈	CURRNG = 10 _B
Maximum error for corrected ADC measurement (8-bit result, temperature gain correction applied)	TET256 _{DP}	—	—	7.9	LSB ₈	CURRNG = 10 _B
Comparator threshold (in % of full range of I_{MEAS})	THR _{COMP}	15	20	25	%	COMPTHR= 00 _B
Comparator threshold (in % of full range of I_{MEAS})	THR _{COMP}	25	30	35	%	COMPTHR= 01 _B
Comparator threshold (in % of full range of I_{MEAS})	THR _{COMP}	35	40	45	%	COMPTHR= 10 _B
Comparator threshold (in % of full range of I_{MEAS})	THR _{COMP}	45	50	55	%	COMPTHR= 11 _B

Table 22 Electrical Characteristics of the PWM Pin

Parameter	Symbol	Values			Unit	Note or Test Condition
		Min.	Typ.	Max.		
Input capacitance	C_{INPUT}	—	—	10	pF	
Input low voltage	V_{IL}	—	—	1.0	V	
Input high voltage	V_{IH}	2.0	—	—	V	
Input leakage current, no pull device	I_{LK}	-5	—	+1	μA	$V_{MFIO} = 0 V / 3 V$
Input low current with active weak pull-up WPU	- I_{LPU}	30	—	90	μA	Measured at max. V_{IL}
Input high current with active weak pull-down WPD	I_{HPD}	90	—	300	μA	Measured at min. V_{IH}

Electrical Characteristics and Parameters

Table 22 Electrical Characteristics of the PWM Pin (continued)

Parameter	Symbol	Values			Unit	Note or Test Condition
		Min.	Typ.	Max.		
Max. input frequency	f_{INPUT}	15	—	—	MHz	
Pull-up resistor value	R_{PU}	—	2.25	—	k Ω	$R_{\text{PU}}=1111_{\text{B}}$
Pull-up resistor tolerance	Δ_{RPU}	—	—	± 20	%	Overall tolerance
PWM input frequency	f_{PWM}	500	—	2000	Hz	
PWM duty cycle	D_{PWM}	5	—	95	%	

Table 23 Electrical Characteristics of the TEMP Pin

Parameter	Symbol	Values			Unit	Note or Test Condition
		Min.	Typ.	Max.		
MFIO reference voltage	V_{MFIOREF}	—	V_{REF}	—	V	Selection = V_{REF}
Nominal range 0% to 100%	V_{MFIO}	0	—	V_{REF}	V	Gain = 1
Reduced operating range	RR_{VMFIO}	4	—	96	%	Gain = 1. Operational values.
Maximum error for corrected measurement (8-bit result)	$TET0_{\text{MFIO}}$	—	—	4.0	LSB ₈	Gain = 1
Maximum error for corrected measurement (8-bit result)	$TET256_{\text{MFIO}}$	—	—	4.8	LSB ₈	Gain = 1
Offset calibration voltage	V_{CAL}	—	$V_{\text{MFIOREF}}/8$	—	V	
Offset calibration voltage absolute tolerance	Δ_{VCAL}	—	—	± 3	LSB	Ref. to $V_{\text{MFIOREF}}=V_{\text{REF}}$, Gain = 1
Offset calibration voltage variation over temperature	$\Delta_{\text{VCAL_TMP}}$	—	—	± 1	LSB	Ref. to $V_{\text{MFIOREF}}=V_{\text{REF}}$, Gain = 1
Pull-up resistor value	R_{PU}	—	11	—	k Ω	$R_{\text{PU}}=0110_{\text{B}}$
Pull-up resistor tolerance	Δ_{RPU}	—	—	± 20	%	Overall tolerance

Table 24 Electrical Characteristics of the CSPFC Pin

Parameter	Symbol	Values			Unit	Note or Test Condition
		Min.	Typ.	Max.		
Input voltage operating range	V_{INP}	-0.5	—	3.0	V	
OCP1 operating range	V_{OCP1}	0	—	$V_{\text{REF}}/2$	V	$\text{RANGE}=00_{\text{B}}$

Electrical Characteristics and Parameters

Table 24 Electrical Characteristics of the CSPFC Pin (continued)

Parameter	Symbol	Values			Unit	Note or Test Condition
		Min.	Typ.	Max.		
OCP2 comparator reference voltage, derived from V_{VDDA} , given values assuming $V_{VDDA} = V_{VDDA,typ}$	V_{OCP2}	—	1.6	—	V	SYS_CFG0.OCP2 = 00 _B
Threshold voltage tolerance	ΔV_{OCP2}	—	—	±5	%	Voltage divider tolerance
Comparator propagation delay	t_{OCP2PD}	15	—	35	ns	
Minimum comparator input pulse width	t_{OCP2PW}	—	—	30	ns	
OCP2F comparator propagation delay	$t_{OCP2FPD}$	70	—	170	ns	$dV_{CS}/dt = 100 \text{ V}/\mu\text{s}$
Delay from V_{CS} crossing V_{CSOCP2} to begin of GDx turn-off ($I_{GD0} > 2\text{mA}$)	$t_{CSGDxOCP2}$	125	135	190	ns	$dV_{CS}/dt = 100 \text{ V}/\mu\text{s}$; $f_{MCLK} = 66 \text{ MHz}$. GDx driven by QR_GATE FIL_OCP2.STABLE = 3
Nominal S&H operating range 0% to 100%	V_{CSH}	0	—	$V_{REF}/2$	V	CS_ICR.RANGE = 00 _B
Reduced S&H operating range	RR_{CVSH}	4	—	90	%	Operational values
Hysteretic comparator threshold	THR_{HYS}	—	0.54	—	V	1 → 0 transition
Hysteretic comparator threshold	THR_{HYS}	—	1.53	—	V	0 → 1 transition
Hysteretic comparator threshold tolerance	ΔTHR_{HYS}	—	—	±120	mV	
Hysteretic comparator propagation delay	t_{PDHYS}	—	90	—	ns	Rising edge
Hysteretic comparator propagation delay	t_{PDHYS}	—	40	—	ns	Falling edge
Hysteretic comparator minimum input pulse width	t_{PWHYS}	—	—	300	ns	

Electrical Characteristics and Parameters

Table 25 Electrical Characteristics of the UART Pin

Parameter	Symbol	Values			Unit	Note or Test Condition
		Min.	Typ.	Max.		
Input clamping current, low	$-I_{CLL}$	—	—	100	μA	only digital input
Input clamping current, high	I_{CLH}	—	—	100	μA	only digital input
APD low voltage (active pull-down while device is not powered or gate driver is not enabled)	V_{APD}	—	—	1.6	V	$I_{GD} = 5 \text{ mA}$
Input capacitance	C_{INPUT}	—	—	25	pF	
Input low voltage	V_{IL}	—	—	1.0	V	
Input high voltage	V_{IH}	2.1	—	—	V	
Input low current with active weak pull-up WPU	$-I_{LPU}$	30	—	90	μA	Measured at max. V_{IL}
Max. input frequency	f_{INPUT}	15	—	—	MHz	
Output low voltage	V_{OL}	—	—	0.8	V	$I_{OL} = 2 \text{ mA}$
Output high voltage	V_{OH}	2.4	—	—	V	$I_{OH} = -2 \text{ mA}$
Output sink current	I_{OL}	—	—	2	mA	
Output source current	$-I_{OH}$	—	—	2	mA	
Output rise time (0 → 1)	t_{RISE}	—	—	50	ns	20 pF load, push/pull output
Output fall time (1 → 0)	t_{FALL}	—	—	50	ns	20 pF load, push/pull or open-drain output
Max. output switching frequency	f_{SWITCH}	10	—	—	MHz	
UART baudrate	f_{UART}	9600		105000	baud	

Table 26 Electrical Characteristics of the GDPFC Pin

Parameter	Symbol	Values			Unit	Note or Test Condition
		Min.	Typ.	Max.		
Input clamping current, low	$-I_{CLL}$	—	—	100	μA	only digital input
Input clamping current, high	I_{CLH}	—	—	100	μA	only digital input
APD low voltage (active pull-down while device is not powered or gate driver is not enabled)	V_{APD}	—	—	1.6	V	$I_{GD} = 5 \text{ mA}$

Electrical Characteristics and Parameters

Table 26 Electrical Characteristics of the GDPFC Pin (continued)

Parameter	Symbol	Values			Unit	Note or Test Condition
		Min.	Typ.	Max.		
R _{PPD} value	R _{PPD}	—	600	—	kΩ	Permanent pull-down resistor inside gate driver
R _{PPD} tolerance	Δ _{PPD}	—	—	±25	%	Permanent pull-down resistor inside gate driver
Driver output low impedance for GD1/2	R _{GDL}	—	—	7.0	Ω	T _J ≤ 125 °C, I _{GD} = 0.1 A
Nominal output high voltage in PWM mode	V _{GDH}	—	10.5	—	V	GDx_CFG.VOL = 3, I _{GDH} = -1 mA
Output voltage tolerance	Δ _{VGDH}	—	—	±5	%	Tolerance of programming options if V _{GDH} > 10 V, I _{GDH} = -1 mA
Rail-to-rail output high voltage	V _{GDHRR}	V _{VCC} - 0.5	—	V _{VCC}	V	If V _{VCC} < programmed V _{GDH} and output at high state
Output high current in PWM mode for GD1/2	-I _{GDH}	—	104	—	mA	GDx_CFG.CUR = 24
Output high current tolerance in PWM mode	Δ _{I_{GDH}}	—	—	±15	%	Calibrated ¹¹⁾
Discharge current for GD1/2	I _{GDDIS}	500	—	—	mA	V _{GD} = 4 V and driver at low state
Output low reverse current	-I _{GDREVL}	—	—	100	mA	Applies if V _{GD} < 0 V and driver at low state
Output high reverse current in PWM mode	I _{GDREVL}	—	1/6 of I _{GDH}	—	—	Applies if V _{GD} > V _{GDH} + 0.5 V (typ) and driver at high state

Table 27 Electrical Characteristics of the A/D Converter

Parameter	Symbol	Values			Unit	Note or Test Condition
		Min.	Typ.	Max.		
Integral non-linearity	INL	—	—	1	LSB ₈	¹²⁾

¹¹ referred to GDx_CFG.CUR = 16

¹² ADC capability measured via channel MFIO without errors due to switching of neighbouring pins, e.g. gate drivers, measured with STC = 5. MFIO buffer non-linearity masked out by taking ADC output values ≥ 30 only.

Electrical Characteristics and Parameters

Table 28 Electrical Characteristics of the Reference Voltage

Parameter	Symbol	Values			Unit	Note or Test Condition
		Min.	Typ.	Max.		
Reference voltage	V_{REF}	—	2.428	—	V	
VREF overall tolerance	ΔV_{REF}	—	—	± 1.5	%	Trimmed, $T_j \leq 125^\circ\text{C}$ and aging

Table 29 Electrical Characteristics of the OTP Programming

Parameter	Symbol	Values			Unit	Note or Test Condition
		Min.	Typ.	Max.		
OTP programming voltage at the VCC pin for range C000 _H to CFFF _H	V_{PP}	7.35	7.5	7.65	V	Operational values
OTP programming voltage at the VCC pin for range D000 _H to DFFF _H	V_{PP}	9.0	—	V_{VCC}	V	Operational values
OTP programming current	I_{PP}	—	1.6	—	mA	Programming of 4 bits in parallel

Table 30 Electrical Characteristics of the Clock Oscillators

Parameter	Symbol	Values			Unit	Note or Test Condition
		Min.	Typ.	Max.		
Master clock oscillation period including all variations	t_{MCLK}	19.2	20.0	21.1	ns	In reference to 50 MHz f_{MCLK}
Main clock oscillator frequency variation of stored DPARAM frequency	Δ_{MCLK}	-3.2	—	+2.0	%	Temperature drift and aging only, 50 MHz f_{MCLK}
Standby clock oscillator frequency	f_{STBCLK}	96	100	104	kHz	Trimming tolerance at $T_A = 25^\circ\text{C}$
Standby clock oscillator frequency	f_{STBCLK}	90	100	110	kHz	Overall tolerance

Table 31 Electrical Characteristics of the Temperature Sensor

Parameter	Symbol	Values			Unit	Note or Test Condition
		Min.	Typ.	Max.		
Temperature sensor ADC output operating range	ADC_{TEMP}	0	—	190	LSB	$ADC_{TEMP} = 40 + \text{temperature} / ^\circ\text{C}$
Temperature sensor tolerance	Δ_{TEMP}	—	—	± 6	K	Incl. ADC conversion accuracy at 3σ

Package Dimensions

6 Package Dimensions

The package dimensions of PG-DSO-16 are provided.

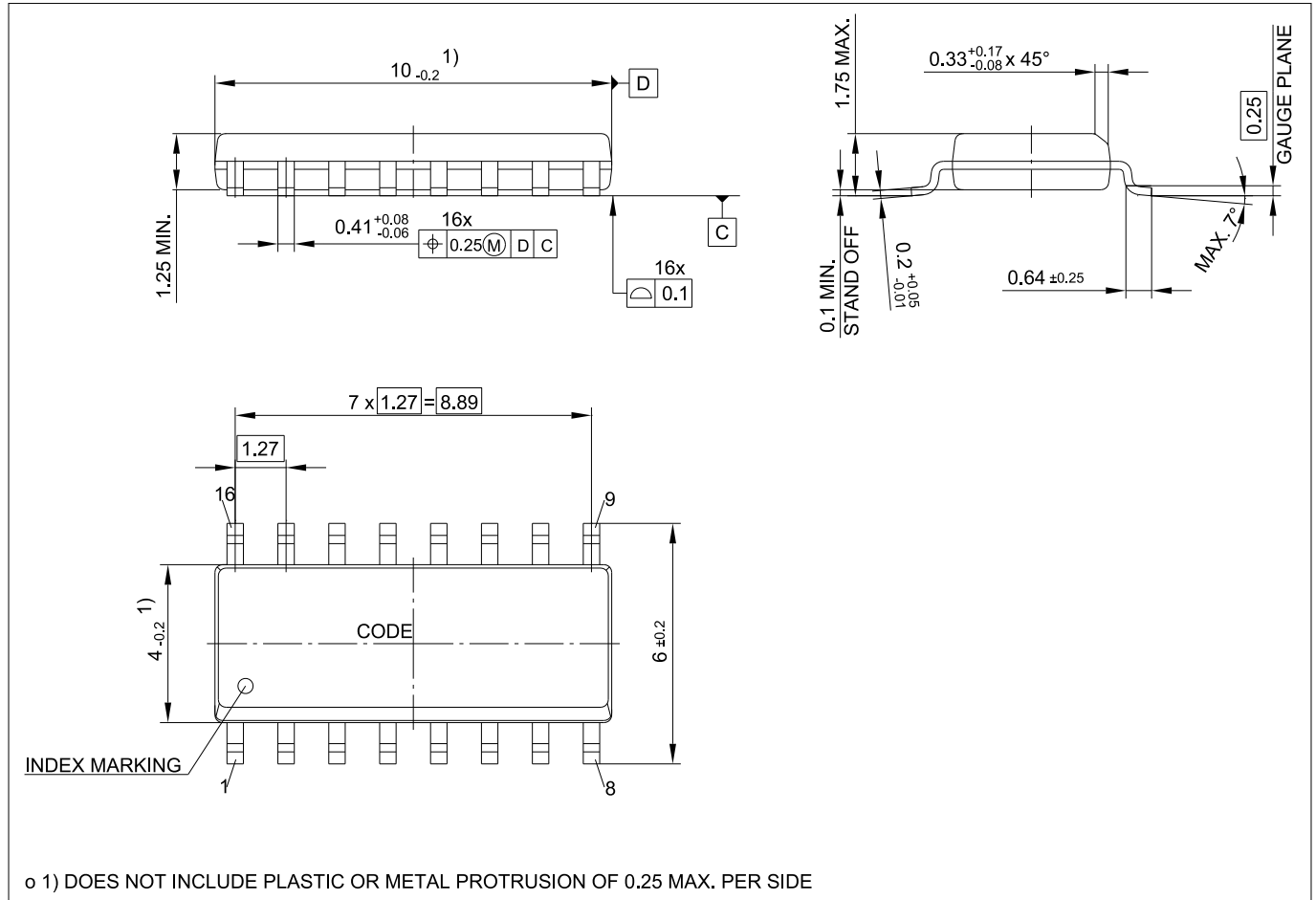


Figure 29 Package Dimensions for PG-DSO-16

Note: Dimensions in mm.

Note: You can find all of our packages, packing types and other package information on our Infineon Internet page “Products”: <http://www.infineon.com/products>.

References

7 References

1. Infineon Technologies AG: *XDPL8220 Reference Board Test Report*
2. Infineon Technologies AG: *.dp Interface Gen2*: Can be ordered at <http://ehitex.com/programmer/486/.dp-interface-board-gen2>
3. Infineon Technologies AG: *.dp Vision User Manual*
4. Infineon Technologies AG: *.dp Interface Gen2 User Manual*
5. Infineon Technologies AG: *XDPL8220 Design Guide*
6. Infineon Technologies AG: *XDPL8220 Programming Manual*

Abbreviations

AC

Alternating Current (AC)

An Alternating Current is a form of power supply in which the flow of electric charge periodically reverses direction.

ADC

Analog-to-Digital Converter (ADC)

An analog-to-digital converter is a device that converts a continuous physical quantity (usually voltage) to a digital number that represents the quantity's amplitude.

BOM

Bill of Materials (BOM)

A bill of materials is a list of the raw materials, sub-assemblies, intermediate assemblies, sub-components, parts and the quantities of each needed to manufacture an end product.

CC

Constant Current (CC)

Constant Current is a mode of a power supply in which the output current is kept constant regardless of the load.

CCM

Continuous Conduction Mode (CCM)

Continuous Conduction Mode is an operational mode of a switching power supply in which the current is continuously flowing and does not return to zero.

CRC

Cyclic Redundancy Check (CRC)

A cyclic redundancy check is an error-detecting code commonly used to detect accidental changes to raw data.

CV

Constant Voltage (CV)

Constant Voltage is a mode of a power supply in which the output voltage is kept constant regardless of the load.

DAC

Digital-to-Analog Converter (DAC)

A digital-to-analog converter is a device that converts digital data into an analog signal (typically voltage).

DC

Direct Current (DC)

A Direct Current is a form of power supply in which the flow of electric charge is only into one direction.

Abbreviations

DCM

Discontinuous Conduction Mode (DCM)

Discontinuous Conduction Mode is an operational mode of a switching power supply in which the current starts and returns to zero.

ECG

Electronic Control Gear (ECG)

An electronic control gear is a power supply which provides one or more light module(s) with the appropriate voltage or current.

FB

Flyback (FB)

A flyback converter is a power converter with the inductor split to form a transformer, so that the voltage ratios are multiplied with an additional advantage of galvanic isolation between the input and any outputs.

FW

Firmware (FW)

A proprietary software exploiting a set of functions.

GUI

Graphic User Interface (GUI)

A graphical user interface is a type of interface that allows users to interact with electronic devices through graphical icons and visual indicators.

HW

Hardware (HW)

The collection of physical elements that comprise a computer system.

IC

Integrated Circuit (IC)

A miniaturized electronic circuit that has been manufactured in the surface of a thin substrate of semiconductor material. An IC may also be referred to as micro-circuit, microchip, silicon chip, or chip.

IIR

Infinite Impulse Response (IIR)

Infinite impulse response is a property applying to many linear time-invariant systems. Common examples of linear time-invariant systems are most electronic and digital filters. Systems with this property have an impulse response which does not become exactly zero past a certain point, but continues indefinitely.

LED

Light Emitting Diode (LED)

A light-emitting diode is a two-lead semiconductor light source which emits light when activated.

LP

Limited Power (LP)

Limited Power is a mode of a power supply in which the output power is limited regardless of the load.

NTC

Negative Temperature Coefficient Thermistor (NTC)

A negative temperature coefficient thermistor is a type of resistor whose resistance declines over temperature.

OCP1

Overcurrent Protection Level 1 (OCP1)

The Overcurrent Protection Level 1 is limiting the current in a switched-mode power supply to limit the power delivered to the output of the power supply.

Abbreviations

OCP2

Overcurrent Protection Level 2 (OCP2)

The Overcurrent Protection Level 2 is protecting the current in a switched-mode power supply from exceeding a maximum threshold.

OTP

One Time Programmable Memory (OTP)

A One-Time Programmable memory is a form of memory to which data can be written once. After writing, the data is stored permanently and cannot be further changed.

PF

Power Factor (PF)

Power factor is the ratio between the real power and the apparent power.

PFC

Power Factor Correction (PFC)

Power factor correction increases the power factor of an AC power circuit closer to 1 which corresponds to minimizing the reactive power of the power circuit.

PSR

Primary Side Regulated (PSR)

A Primary Side Regulated power supply is controlling its operation based on a property sensed on primary side of an isolated power supply.

PWM

Pulse Width Modulation (PWM)

Pulse-width modulation is a technique to encode an analog value into the duty cycle of a pulsing signal with arbitrary amplitude.

QRM

Quasi-Resonant Mode (QRM)

Quasi-Resonant Mode is an operating mode of a switched-mode power supply which maximizes efficiency. This is achieved by only switching at preferred times when switching losses are low.

QRM1

Quasi-Resonant Mode, switching in valley 1 (QRM1)

Quasi-Resonant Mode is an operating mode of a switched-mode power supply which maximizes efficiency. This is achieved by switching at the occurrence of the first valley of a signal which corresponds to a time when switching losses are low.

QRMn

Quasi-Resonant Mode, switching in valley n (QRMn)

Quasi-Resonant Mode is an operating mode of a switched-mode power supply which maximizes efficiency. This is achieved by switching at the occurrence of an nth valley of a signal which corresponds to a time when switching losses are low.

RAM

Random Access Memory (RAM)

Random-access memory is a form of computer data storage which allows data items to be read and written regardless of the order in which data items are accessed.

THD

Total Harmonic Distortion (THD)

The total harmonic distortion of a signal is a measurement of the harmonic distortion present and is defined as the ratio of the sum of the powers of all harmonic components to the power of the fundamental frequency.

Revision History

UART

Universal Asynchronous Receiver Transmitter (UART)

A universal asynchronous receiver transmitter is used for serial communications over a peripheral device serial port by translating data between parallel and serial forms.

USB

Universal Serial Bus (USB)

Universal Serial Bus is an industry standard that defines cables, connectors and communications protocols used in a bus for connection, communication, and power supply between computers and electronic devices.

UVLO

Undervoltage Lockout (UVLO)

The Undervoltage-Lockout is an electronic circuit used to turn off the power of an electronic device in the event of the voltage dropping below the operational value.

Revision History

Major changes since previous revision

Revision History

Revision	Description
1.0	<ul style="list-style-type: none">Added the attention that the Vcc must be higher than 3.4V before any other pins exceeds 1.2V
0.7	<ul style="list-style-type: none">Added a description of the input filter for the PWM sensing
0.6	<ul style="list-style-type: none">Corrected for English languageMinor update of the PFC and FB contentUpdated electrical characteristics

Trademarks of Infineon Technologies AG

μ HVIC™, μ IPM™, μ PFC™, AU-ConvertIR™, AURIX™, C166™, CanPAK™, CIPOS™, CIPURSE™, CoolDP™, CoolGaN™, COOLiR™, CoolMOS™, CoolSET™, CoolSiC™, DAVE™, DI-POL™, DirectFET™, DrBlade™, EasyPIM™, EconoBRIDGE™, EconoDUAL™, EconoPACK™, EconoPIM™, EiceDRIVER™, eupec™, FCOS™, GaNpowIR™, HEXFET™, HITFET™, HybridPACK™, iMOTION™, IRAM™, ISOFACE™, IsoPACK™, LEDriviR™, LITIX™, MIPAQ™, ModSTACK™, my-d™, NovalithIC™, OPTIGA™, OptiMOS™, ORIGA™, PowIRaudio™, PowIRstage™, PrimePACK™, PrimeSTACK™, PROFET™, PRO-SIL™, RASIC™, REAL3™, SmartLEWIS™, SOLID FLASH™, SPOC™, StrongIRFET™, SuplIRBuck™, TEMPFET™, TRENCHSTOP™, TriCore™, UHVIC™, XHP™, XMC™.

Trademarks Update 2015-12-22

Other Trademarks

All referenced product or service names and trademarks are the property of their respective owners.

Edition 2016-11-4

Published by
Infineon Technologies AG
81726 Munich, Germany

© 2016 Infineon Technologies AG
All Rights Reserved.

Do you have a question about any aspect of this document?

Email: erratum@infineon.com

Document reference
IFX-sch1429523754663

IMPORTANT NOTICE

The information given in this document shall in no event be regarded as a guarantee of conditions or characteristics ("Beschaffenhheitsgarantie").

With respect to any examples, hints or any typical values stated herein and/or any information regarding the application of the product, Infineon Technologies hereby disclaims any and all warranties and liabilities of any kind, including without limitation warranties of non-infringement of intellectual property rights of any third party.

In addition, any information given in this document is subject to customer's compliance with its obligations stated in this document and any applicable legal requirements, norms and standards concerning customer's products and any use of the product of Infineon Technologies in customer's applications.

The data contained in this document is exclusively intended for technically trained staff. It is the responsibility of customer's technical departments to evaluate the suitability of the product for the intended application and the completeness of the product information given in this document with respect to such application.

WARNINGS

Due to technical requirements products may contain dangerous substances. For information on the types in question please contact your nearest Infineon Technologies office.

Except as otherwise explicitly approved by Infineon Technologies in a written document signed by authorized representatives of Infineon Technologies, Infineon Technologies' products may not be used in any applications where a failure of the product or any consequences of the use thereof can reasonably be expected to result in personal injury

Компания «Океан Электроники» предлагает заключение долгосрочных отношений при поставках импортных электронных компонентов на взаимовыгодных условиях!

Наши преимущества:

- Поставка оригинальных импортных электронных компонентов напрямую с производств Америки, Европы и Азии, а так же с крупнейших складов мира;
- Широкая линейка поставок активных и пассивных импортных электронных компонентов (более 30 млн. наименований);
- Поставка сложных, дефицитных, либо снятых с производства позиций;
- Оперативные сроки поставки под заказ (от 5 рабочих дней);
- Экспресс доставка в любую точку России;
- Помощь Конструкторского Отдела и консультации квалифицированных инженеров;
- Техническая поддержка проекта, помощь в подборе аналогов, поставка прототипов;
- Поставка электронных компонентов под контролем ВП;
- Система менеджмента качества сертифицирована по Международному стандарту ISO 9001;
- При необходимости вся продукция военного и аэрокосмического назначения проходит испытания и сертификацию в лаборатории (по согласованию с заказчиком);
- Поставка специализированных компонентов военного и аэрокосмического уровня качества (Xilinx, Altera, Analog Devices, Intersil, Interpoint, Microsemi, Actel, Aeroflex, Peregrine, VPT, Syfer, Eurofarad, Texas Instruments, MS Kennedy, Miteq, Cobham, E2V, MA-COM, Hittite, Mini-Circuits, General Dynamics и др.);

Компания «Океан Электроники» является официальным дистрибьютором и эксклюзивным представителем в России одного из крупнейших производителей разъемов военного и аэрокосмического назначения «JONHON», а так же официальным дистрибьютором и эксклюзивным представителем в России производителя высокотехнологичных и надежных решений для передачи СВЧ сигналов «FORSTAR».



JONHON

«JONHON» (основан в 1970 г.)

Разъемы специального, военного и аэрокосмического назначения:

(Применяются в военной, авиационной, аэрокосмической, морской, железнодорожной, горно- и нефтедобывающей отраслях промышленности)

«FORSTAR» (основан в 1998 г.)

ВЧ соединители, коаксиальные кабели,
кабельные сборки и микроволновые компоненты:

(Применяются в телекоммуникациях гражданского и специального назначения, в средствах связи, РЛС, а так же военной, авиационной и аэрокосмической отраслях промышленности).



Телефон: 8 (812) 309-75-97 (многоканальный)

Факс: 8 (812) 320-03-32

Электронная почта: ocean@oceanchips.ru

Web: <http://oceanchips.ru/>

Адрес: 198099, г. Санкт-Петербург, ул. Калинина, д. 2, корп. 4, лит. А