

20mΩ P-Channel SmartSwitch for UMPC Battery Charging Applications

General Description

The AAT4681 SmartSwitch enables separate stand-alone AC adapter and PMU USB chargers to independently control a single low $R_{DS(ON)}$ power MOSFET between battery and system power output. A 20V version is available for multi-cell Li-ion applications and a 6V version is available for single-cell Li-ion applications.

The two P-channel power MOSFETs required in UMPC applications for controlling independent charger ICs can be consolidated to a single device, saving space and reducing cost. The single 20mΩ P-channel device in the AAT4681/-1 has four times lower $R_{DS(ON)}$ than the equivalent path resistance formed by two series devices.

Ordering options are available for multi-cell and single-cell Li-ion versions. For the single-cell application, a 6V device with dual independent gate control is available. For 2-cell and 3-cell applications a 20V ordinary P-channel device is available in the same package and pin configuration. Both devices are available in the TDFN-10L 3mm x 3mm package.

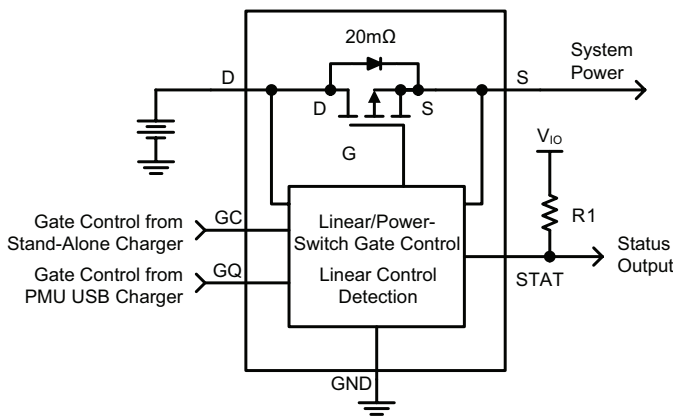
Features

- Multi-Cell 20V Device and Single-Cell 6V Device
- Dual Independent Gate Controls
 - Independent Linear Regulator and SMPS Power Switch States are Maintained
- 3mm x 3mm TDFN-10L package
- Temperature Range: -40°C to 85°C

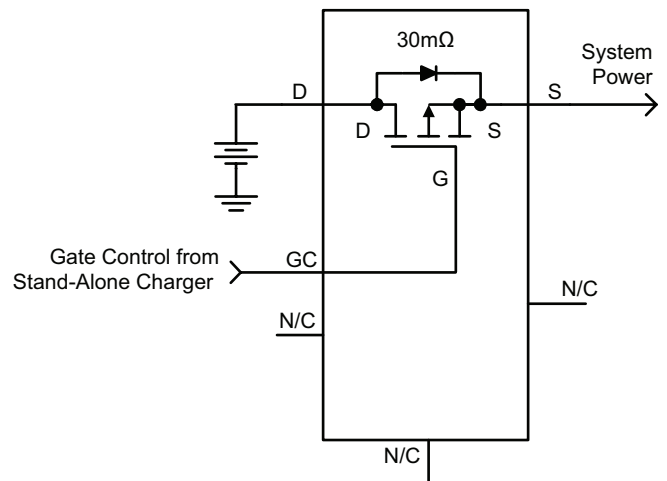
Applications

- Smart Phones
- Sub Notebooks
 - Smartbooks
 - Netbooks
- Ultra-Mobile PCs
- Wireless Media Devices

Typical Application



AAT4681, AAT4681-1



AAT4681-2

AAT4681

20mΩ P-Channel SmartSwitch for UMPC Battery Charging Applications

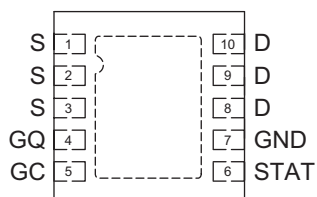
Pin Descriptions

Pin #	Pin Name		Function
	AAT4681/-1	AAT4681-2	
1, 2, 3	S	S	Source connection.
4	GQ	N/C	Gate control from PMU charger.
5	GC	GC	Gate control from stand-alone charger.
6	STAT	N/C	Open drain status output. "STAT" signal "high" means QC is "on" and "STAT" signal low means GQ is "on"
7	GND	N/C	Ground connection
8, 9, 10	D	D	Drain connection.

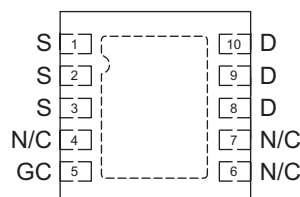
Pin Configuration

TDFN33-10L (Top View)

AAT4681/-1



AAT4681-2



20mΩ P-Channel SmartSwitch for UMPC Battery Charging Applications**Absolute Maximum Ratings¹**

Symbol	Description	Value	Units	
AAT4681, AAT4681-1				
V_D, V_S	Drain or Source Voltage to GND	6.0	V	
V_{STAT}	STAT to GND	-0.3 to 6.0	V	
I_{STAT}	STAT Current	10	mA	
V_{GC}, V_{GQ}	Gate Voltage Levels to GND	-0.3 to 6.0	V	
I_D	Continuous Drain Current @ $T_A = 85^\circ\text{C}$	AAT4681	± 7	A
		AAT4681-1	± 5	
I_{DM}	Pulsed Drain Current ²	± 10	A	
I_S	Continuous Source Current (Source-Drain Diode)	-1.5	A	
AAT4681-2				
V_{DS}	Drain-Source Voltage	-20	V	
V_{GS}	Gate-Source Voltage	± 12	V	
I_D	Continuous Drain Current	$T_A = 25^\circ\text{C}$	± 4.0	A
		$T_A = 70^\circ\text{C}$	± 3.2	A
I_{DM}	Pulsed Drain Current	± 24	A	
I_S	Continuous Source Current (Source-Drain Diode)	-1.5	A	

Thermal Characteristics³

Symbol	Description	Value	Units
T_J	Operating Junction Temperature Range	-40 to +125	$^\circ\text{C}$
T_{LEAD}	Maximum Soldering Temperature (at leads, 10 sec.)	300	$^\circ\text{C}$
TDFN33-10L Thermal Impedance			
θ_{JA}	Maximum Junction-to-Ambient Thermal Resistance	50	$^\circ\text{C}/\text{W}$
P_D	Maximum Power Dissipation ⁴	2	W

1 Absolute Maximum Ratings are those values beyond which the life of a device may be impaired.

2. Pulse width <300μs, duty cycle <1%.

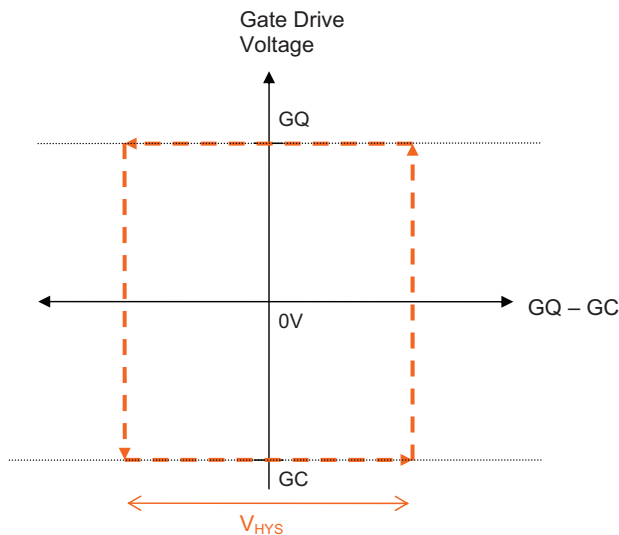
3. T_J is calculated from the ambient temperature T_A and power dissipation P_D according to the following formula: $T_J = T_A + P_D \cdot \theta_{JA}$.

4. Thermal Resistance is specified with approximately 1 square inch of 1 oz. copper.

20mΩ P-Channel SmartSwitch for UMPC Battery Charging Applications**Electrical Characteristics**

$T_A = -40^{\circ}\text{C}$ to $+85^{\circ}\text{C}$, unless otherwise noted. Typical values are at $T_A = +25^{\circ}\text{C}$.

Symbol	Description	Conditions	Min	Typ	Max	Units
AAT4681/-1						
V_{SYS}	Input Voltage Range ¹		1.8		5.5	V
V_{UVLO}	Under-Voltage Lockout	For $V_{SYS} < V_{UVLO}$, GC active		1.4		V
I_Q	Quiescent Current	$V_D = 4.2\text{V}$, $T_J = 55^{\circ}\text{C}$		3.6	15	μA
I_{DSS}	Drain-Source Leakage Current	$V_{GS} = 0\text{V}$, $V_{DS} = -5.5\text{V}$, $T_J = 55^{\circ}\text{C}$			-5	μA
$R_{DS(on)}$	P-Channel On Resistance ²	$V_D = V_{GC} = 4.2\text{V}$, $V_{GQ} = \text{GND}$, $I_D = 5\text{A}$, $T_A = 25^{\circ}\text{C}$		18	25	mΩ
				AAT4681	23	
V_{HYS}	GQ-GC Transition Hysteresis				300	mV
t_{GSW}	GQ-GC Transition Delay	Slew rate of QG @ 1ms		10		μs
$V_{STATLOW}$	STAT Logic Output Low	$I_{STAT(SINK)} = 1\text{mA}$		0.025	0.4	V
$I_{STAT(SINK)}$	STAT Logic High Leakage Current	$V_{STAT} = 5.5\text{V}$, $V_{GC} = 5.5\text{V}$, $V_{GQ} = \text{GND}$		0.005	1	μA
AAT4681-2						
BV_{DSS}	Drain-Source Breakdown Voltage	$V_{GS} = 0\text{V}$, $I_D = -250\mu\text{A}$	-20			V
$R_{DS(ON)}$	Drain-Source On-Resistance ²	$V_{GS} = -4.5\text{V}$, $I_D = -4.0\text{A}$		27	40	mΩ
$I_{D(ON)}$	On-State Drain Current	$V_{GS} = -4.5\text{V}$, $V_{DS} = -5\text{V}$ (pulse) ²	-24			A
$V_{GS(th)}$	Gate Threshold Voltage	$V_{GS} = V_{DS}$, $I_D = -250\mu\text{A}$		-0.8		V

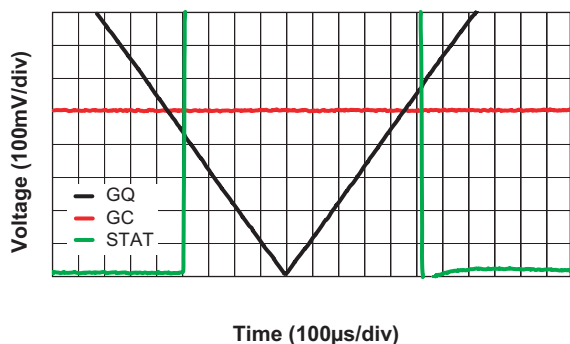


- Where V_{SYS} is the greater of V_D or V_S .
- Pulse width $< 300\mu\text{s}$, duty cycle $< 1\%$.

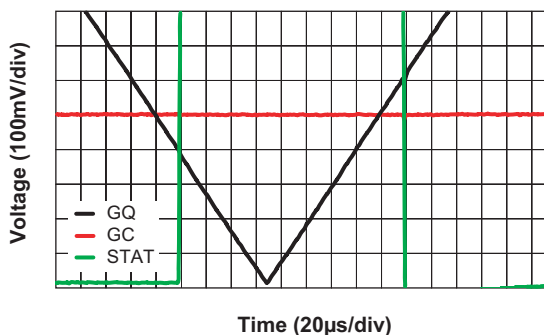
20mΩ P-Channel SmartSwitch for UMPC Battery Charging Applications

AAT4681/-1 Typical Electrical Characteristics

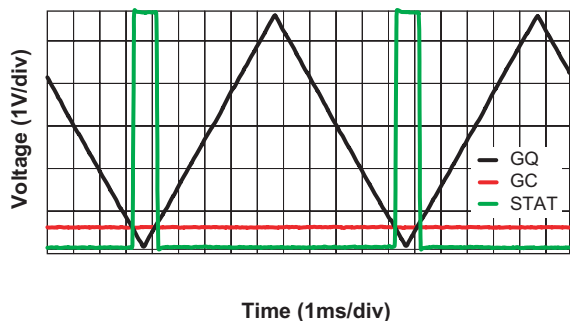
Hysteresis, GQ Ramp Time = 2.5ms
(S = 5.5V; GC = 0.5V; R_{STAT} = 5K; V_{IO} = 5.5V)



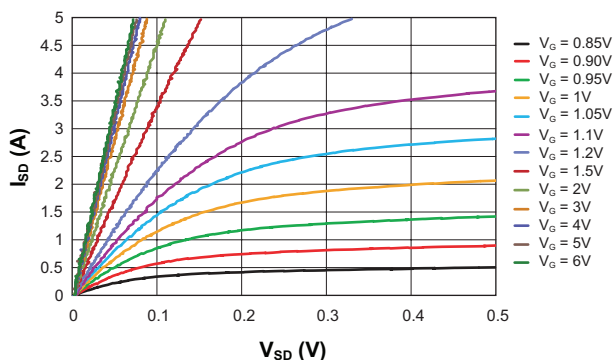
Hysteresis, GQ Ramp Time = 500µs
(S = 5.5V; GC = 0.5V; R_{STAT} = 5K; V_{IO} = 5.5V)



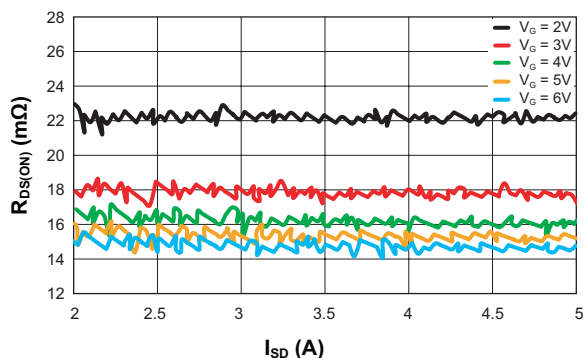
Timing
(S = 5.5V; GC = 0.5V; GQ ramp time = 2.5ms;
R_{STAT} = 5K; V_{IO} = 5.5V)



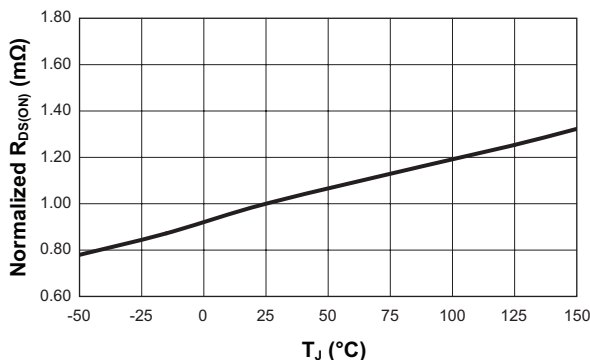
Shutdown Current vs. Shutdown Voltage



R_{DS(ON)} vs. I_{SD}



On-Resistance vs. Junction Temperature
(V_S = 6V; I_{DS} = 5A; Pulse width <300µs; Duty Cycle <1%)

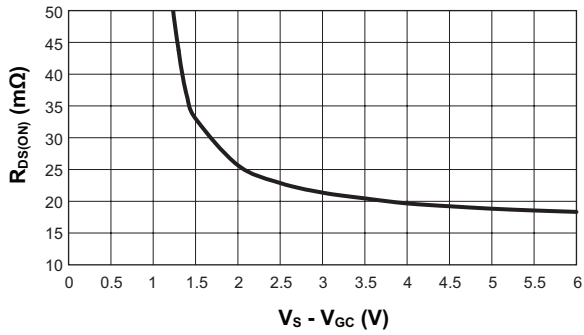


20mΩ P-Channel SmartSwitch for UMPC Battery Charging Applications

AAT4681/-1 Typical Electrical Characteristics

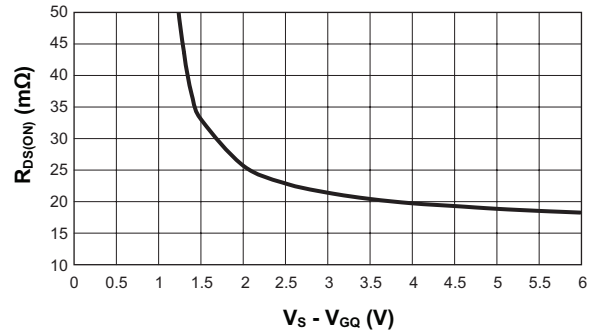
On-Resistance vs. Gate Voltage G_C

$(V_S = 6V; V_{GQ} = 0V, I_{DS} = 5A;$
Pulse Width < 300μs, Duty Cycle < 1%)



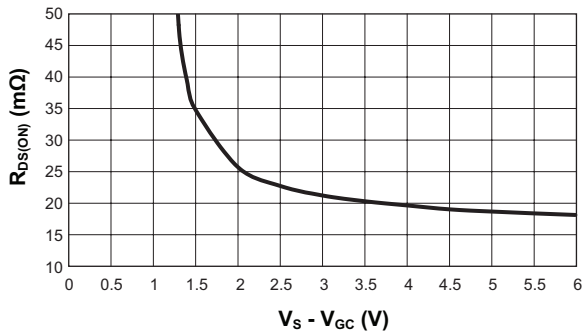
On-Resistance vs. Gate Voltage G_C

$V_S = 6V, V_{Gc} = 0V, I_{DS} = 5A;$
Pulse Width < 300μs, Duty Cycle < 1%)



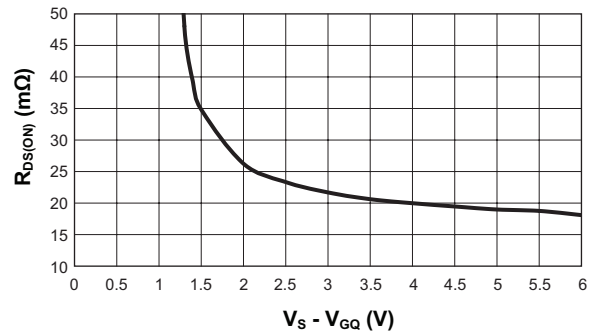
On-Resistance vs. Gate Voltage G_C

$V_S = 6V, V_{GQ} = 0V, I_{DS} = 7A;$
Pulse Width < 300μs, Duty Cycle < 1%)



On-Resistance vs. Gate Voltage G_Q

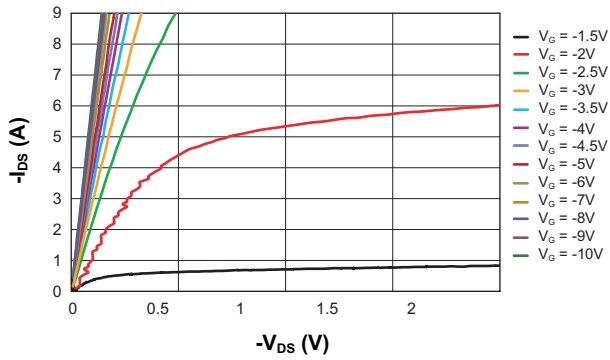
$V_S = 6V, V_{GQ} = 0V, I_{DS} = 7A;$
Pulse Width < 300μs, Duty Cycle < 1%)



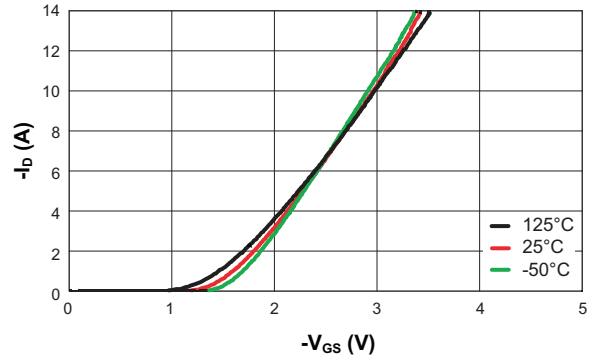
20mΩ P-Channel SmartSwitch for UMPC Battery Charging Applications

AAT4681-2 Typical Electrical Characteristics

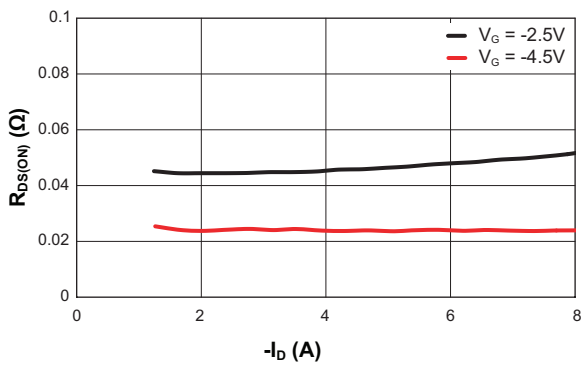
Output Characteristics



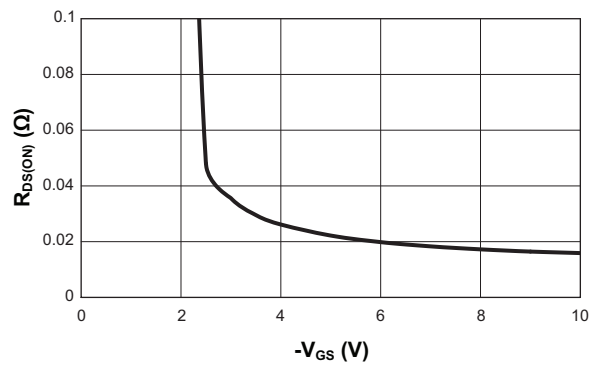
Transfer Characteristics



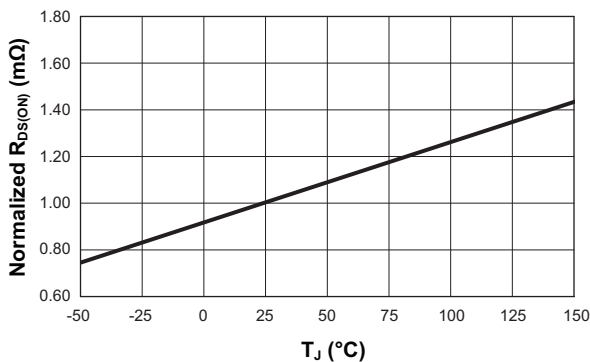
On-Resistance vs. Drain Current



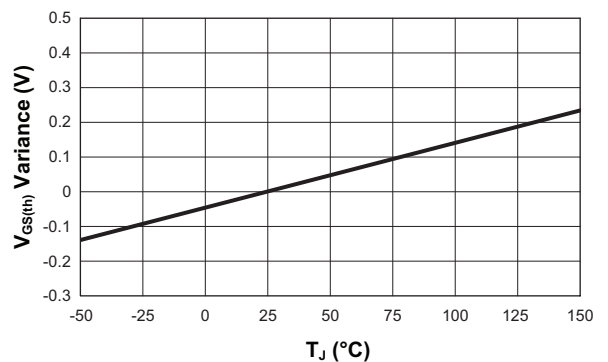
On-Resistance vs. Gate-Source Voltage



On-Resistance vs. Junction Temperature
($V_{GS} = -4.5V$; $I_D = -5.9A$)



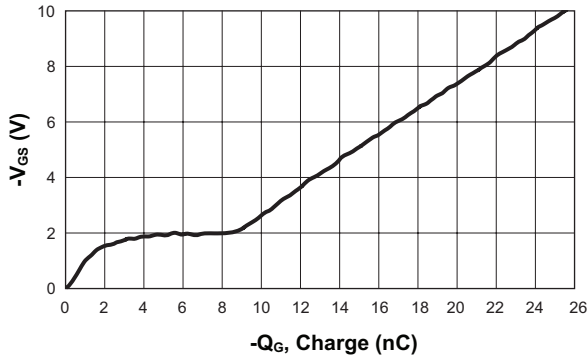
Threshold Voltage vs. Junction Temperature



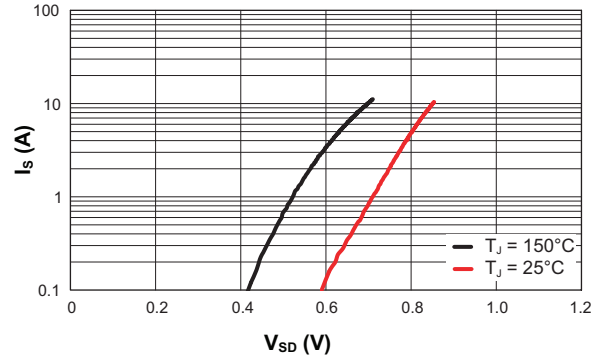
20mΩ P-Channel SmartSwitch for UMPC Battery Charging Applications

AAT4681-2 Typical Electrical Characteristics

Gate Charge

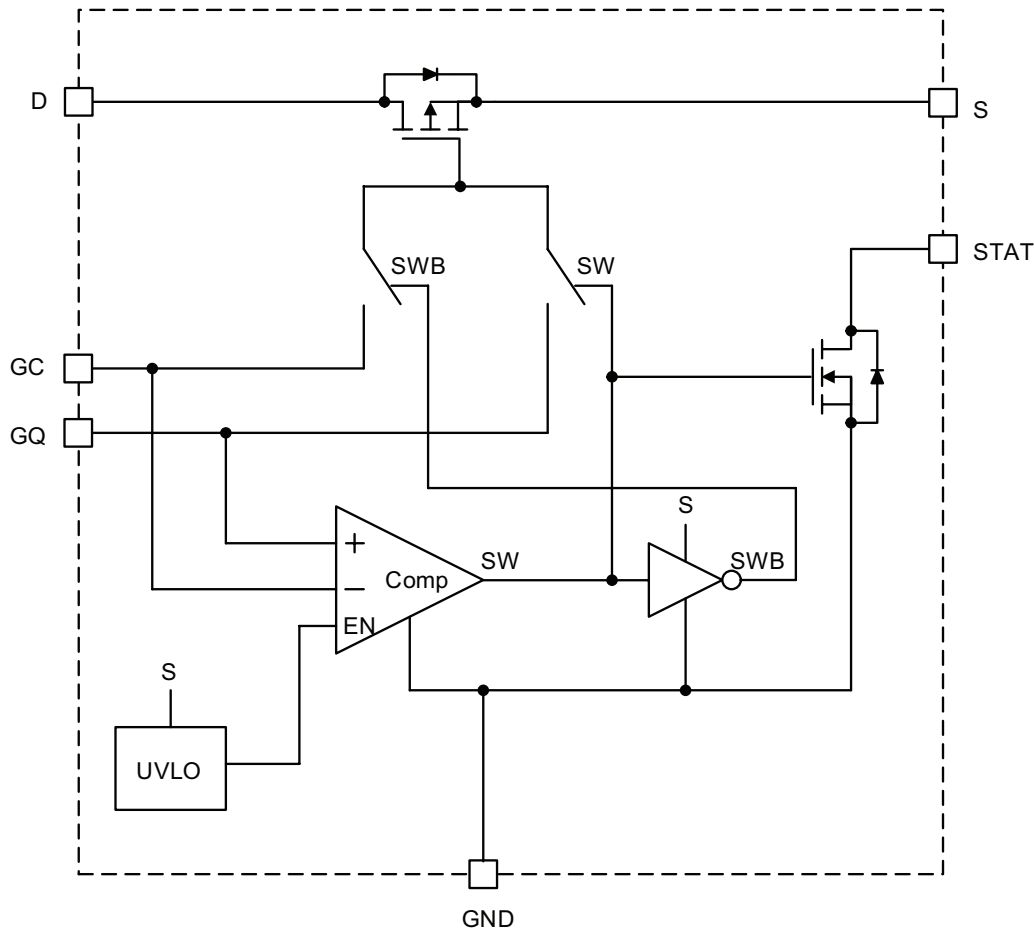


Source-Drain Diode Forward Voltage



20mΩ P-Channel SmartSwitch for UMPC Battery Charging Applications

Functional Block Diagram



GC (Gate Control from Stand-Alone Charger)	GQ (Gate Control from PMU USB Charger)	P-Ch Gate Voltage Control Source
V _{in}	V _{in}	GC
Linear	0V	GC
0V*	Linear	GQ
0V	0V	GC
float	float	GC

*Switch to GQ when GQ > GC even if QC is not equal to zero.

AAT4681

20mΩ P-Channel SmartSwitch for UMPC Battery Charging Applications

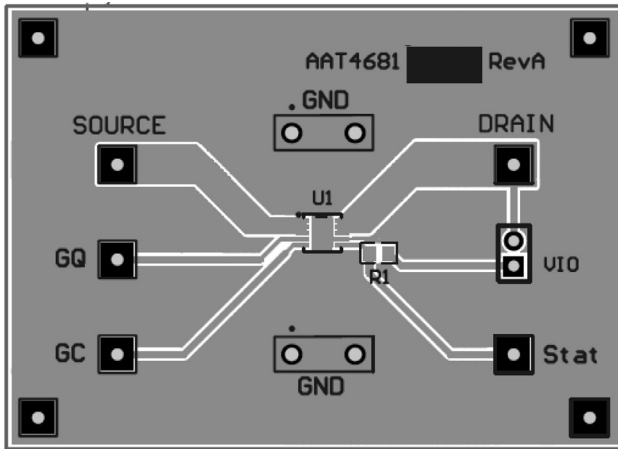


Figure 1: AAT4681IDE Evaluation Board Top Side Layout.

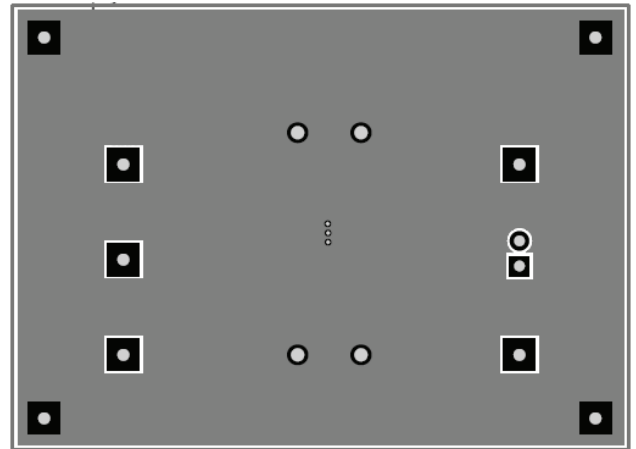


Figure 2: AAT4681IDE Evaluation Board Bottom Side Layout

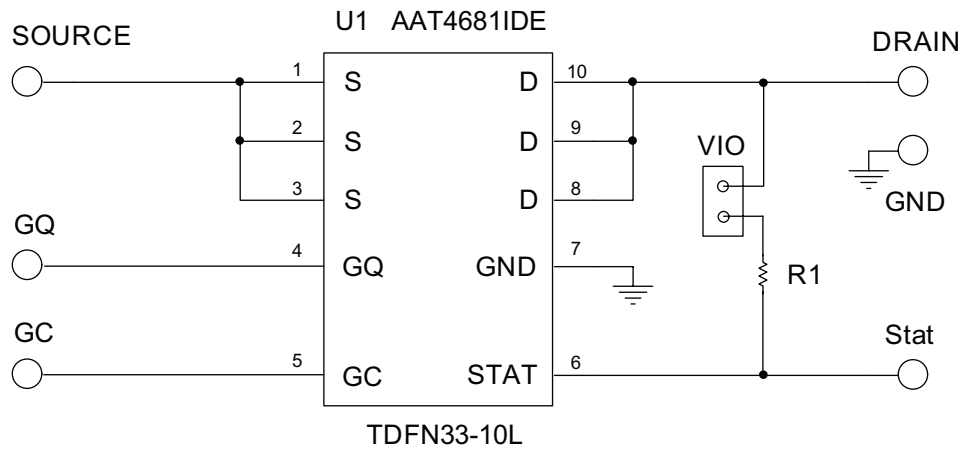


Figure 3: AAT4681IDE Evaluation Board Schematic.

20mΩ P-Channel SmartSwitch for UMPC Battery Charging Applications**Ordering Information**

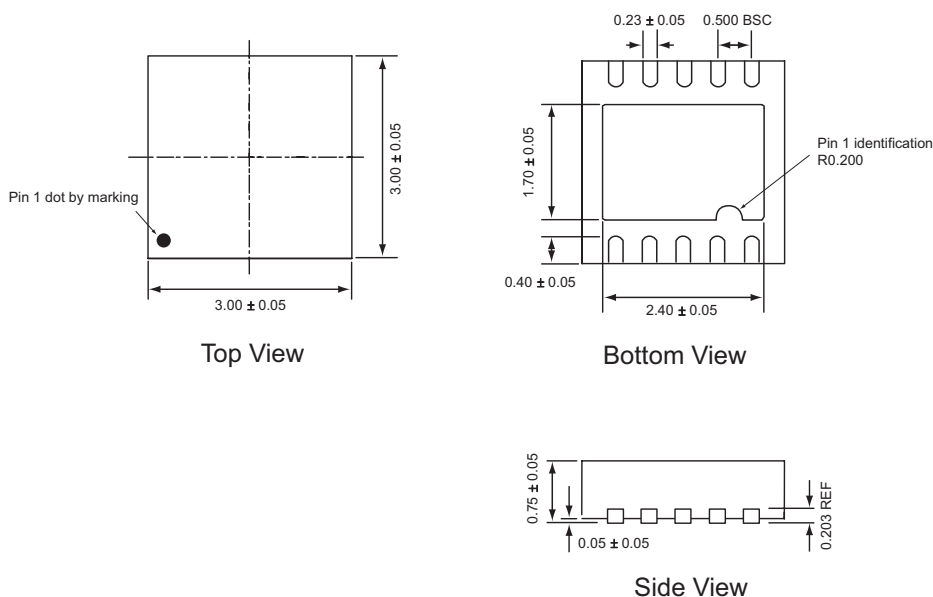
Package	Marking ¹	Continuous Drain Current (A)	Part Number (Tape and Reel) ²
TDFN33-10L	J8XYY	$\pm 7.0^3$	AAT4681IDE-T1
TDFN33-10L	F5XYY	$\pm 5.0^3$	AAT4681IDE-1-T1
TDFN33-10L	Y4XYY	$\pm 3.2^4$	AAT4681IDE-2-T1



Skyworks Green™ products are compliant with all applicable legislation and are halogen-free.



For additional information, refer to *Skyworks Definition of Green™*, document number SQ04-0074.

Package Information**TDFN33-10L⁵**

All dimensions in millimeters.

1. XYY = assembly and date code.
2. Sample stock is generally held on part numbers listed in **BOLD**.
3. $T_A = 85^\circ\text{C}$.
4. $T_A = 70^\circ\text{C}$.
5. The leadless package family, which includes QFN, TQFN, DFN, TDFN and STDFN, has exposed copper (unplated) at the end of the lead terminals due to the manufacturing process. A solder fillet at the exposed copper edge cannot be guaranteed and is not required to ensure a proper bottom solder connection.

20mΩ P-Channel SmartSwitch for UMPC Battery Charging Applications

Copyright © 2012 Skyworks Solutions, Inc. All Rights Reserved.

Information in this document is provided in connection with Skyworks Solutions, Inc. ("Skyworks") products or services. These materials, including the information contained herein, are provided by Skyworks as a service to its customers and may be used for informational purposes only by the customer. Skyworks assumes no responsibility for errors or omissions in these materials or the information contained herein. Skyworks may change its documentation, products, services, specifications or product descriptions at any time, without notice. Skyworks makes no commitment to update the materials or information and shall have no responsibility whatsoever for conflicts, incompatibilities, or other difficulties arising from any future changes.

No license, whether express, implied, by estoppel or otherwise, is granted to any intellectual property rights by this document. Skyworks assumes no liability for any materials, products or information provided hereunder, including the sale, distribution, reproduction or use of Skyworks products, information or materials, except as may be provided in Skyworks Terms and Conditions of Sale.

THE MATERIALS, PRODUCTS AND INFORMATION ARE PROVIDED "AS IS" WITHOUT WARRANTY OF ANY KIND, WHETHER EXPRESS, IMPLIED, STATUTORY, OR OTHERWISE, INCLUDING FITNESS FOR A PARTICULAR PURPOSE OR USE, MERCHANTABILITY, PERFORMANCE, QUALITY OR NON-INFRINGEMENT OF ANY INTELLECTUAL PROPERTY RIGHT; ALL SUCH WARRANTIES ARE HEREBY EXPRESSLY DISCLAIMED. SKYWORKS DOES NOT WARRANT THE ACCURACY OR COMPLETENESS OF THE INFORMATION, TEXT, GRAPHICS OR OTHER ITEMS CONTAINED WITHIN THESE MATERIALS. SKYWORKS SHALL NOT BE LIABLE FOR ANY DAMAGES, INCLUDING BUT NOT LIMITED TO ANY SPECIAL, INDIRECT, INCIDENTAL, STATUTORY, OR CONSEQUENTIAL DAMAGES, INCLUDING WITHOUT LIMITATION, LOST REVENUES OR LOST PROFITS THAT MAY RESULT FROM THE USE OF THE MATERIALS OR INFORMATION, WHETHER OR NOT THE RECIPIENT OF MATERIALS HAS BEEN ADVISED OF THE POSSIBILITY OF SUCH DAMAGE.

Skyworks products are not intended for use in medical, lifesaving or life-sustaining applications, or other equipment in which the failure of the Skyworks products could lead to personal injury, death, physical or environmental damage. Skyworks customers using or selling Skyworks products for use in such applications do so at their own risk and agree to fully indemnify Skyworks for any damages resulting from such improper use or sale.

Customers are responsible for their products and applications using Skyworks products, which may deviate from published specifications as a result of design defects, errors, or operation of products outside of published parameters or design specifications. Customers should include design and operating safeguards to minimize these and other risks. Skyworks assumes no liability for applications assistance, customer product design, or damage to any equipment resulting from the use of Skyworks products outside of stated published specifications or parameters.

Skyworks, the Skyworks symbol, and "Breakthrough Simplicity" are trademarks or registered trademarks of Skyworks Solutions, Inc., in the United States and other countries. Third-party brands and names are for identification purposes only, and are the property of their respective owners. Additional information, including relevant terms and conditions, posted at www.skyworksinc.com, are incorporated by reference.

Компания «Океан Электроники» предлагает заключение долгосрочных отношений при поставках импортных электронных компонентов на взаимовыгодных условиях!

Наши преимущества:

- Поставка оригинальных импортных электронных компонентов напрямую с производств Америки, Европы и Азии, а так же с крупнейших складов мира;
- Широкая линейка поставок активных и пассивных импортных электронных компонентов (более 30 млн. наименований);
- Поставка сложных, дефицитных, либо снятых с производства позиций;
- Оперативные сроки поставки под заказ (от 5 рабочих дней);
- Экспресс доставка в любую точку России;
- Помощь Конструкторского Отдела и консультации квалифицированных инженеров;
- Техническая поддержка проекта, помощь в подборе аналогов, поставка прототипов;
- Поставка электронных компонентов под контролем ВП;
- Система менеджмента качества сертифицирована по Международному стандарту ISO 9001;
- При необходимости вся продукция военного и аэрокосмического назначения проходит испытания и сертификацию в лаборатории (по согласованию с заказчиком);
- Поставка специализированных компонентов военного и аэрокосмического уровня качества (Xilinx, Altera, Analog Devices, Intersil, Interpoint, Microsemi, Actel, Aeroflex, Peregrine, VPT, Syfer, Eurofarad, Texas Instruments, MS Kennedy, Miteq, Cobham, E2V, MA-COM, Hittite, Mini-Circuits, General Dynamics и др.);

Компания «Океан Электроники» является официальным дистрибьютором и эксклюзивным представителем в России одного из крупнейших производителей разъемов военного и аэрокосмического назначения «JONHON», а так же официальным дистрибьютором и эксклюзивным представителем в России производителя высокотехнологичных и надежных решений для передачи СВЧ сигналов «FORSTAR».



JONHON

«JONHON» (основан в 1970 г.)

Разъемы специального, военного и аэрокосмического назначения:

(Применяются в военной, авиационной, аэрокосмической, морской, железнодорожной, горно- и нефтедобывающей отраслях промышленности)

«FORSTAR» (основан в 1998 г.)

ВЧ соединители, коаксиальные кабели, кабельные сборки и микроволновые компоненты:

(Применяются в телекоммуникациях гражданского и специального назначения, в средствах связи, РЛС, а так же военной, авиационной и аэрокосмической отраслях промышленности).



Телефон: 8 (812) 309-75-97 (многоканальный)

Факс: 8 (812) 320-03-32

Электронная почта: ocean@oceanchips.ru

Web: <http://oceanchips.ru/>

Адрес: 198099, г. Санкт-Петербург, ул. Калинина, д. 2, корп. 4, лит. А