



# dsPIC33FJ16(GP/MC)101/102 AND dsPIC33FJ32(GP/MC)101/102/104

## 16-Bit Digital Signal Controllers (up to 32-Kbyte Flash and 2-Kbyte SRAM)

### Operating Conditions

- 3.0V to 3.6V, -40°C to +125°C, DC to 16 MIPS

### Core: 16-bit dsPIC33F CPU

- Code-Efficient (C and Assembly) Architecture
- Two 40-Bit Wide Accumulators
- Single-Cycle (MAC/MPY) with Dual Data Fetch
- Single-Cycle Mixed-Sign MUL plus Hardware Divide
- 32-Bit Multiply Support

### Clock Management

- ±0.25% Internal Oscillator
- Programmable PLLs and Oscillator Clock Sources
- Fail-Safe Clock Monitor (FSCM)
- Independent Watchdog Timer (WDT)
- Fast Wake-up and Start-up

### Power Management

- Low-Power Management modes (Sleep, Idle, Doze)
- Integrated Power-on Reset and Brown-out Reset
- 1 mA/MHz Dynamic Current (typical)
- 30 µA IPD Current (typical)

### PWM

- Up to Three PWM Pairs
- Two Dead-Time Generators
- 31.25 ns PWM Resolution
- PWM Support for:
  - Inverters, PFC, UPS
  - BLDC, PMSM, ACIM, SRM
- Class B-Compliant Fault Inputs
- Possibility of ADC Synchronization with PWM Signal

### Advanced Analog Features

- ADC module:
  - 10-bit, 1.1 Msps with four S&H
  - Four analog inputs on 18-pin devices and up to 14 analog inputs on 44-pin devices
- Flexible and Independent ADC Trigger Sources
- Three Comparator modules
- Charge Time Measurement Unit (CTMU):
  - Supports mTouch™ capacitive touch sensing
  - Provides high-resolution time measurement (1 ns)
  - On-chip temperature measurement

### Timers/Output Compare/Input Capture

- Up to Five General Purpose Timers:
  - One 16-bit and up to two 32-bit timers/counters
- Two Output Compare modules
- Three Input Capture modules
- Peripheral Pin Select (PPS) to allow Function Remap

### Communication Interfaces

- UART module (4 Mbps)
  - With support for LIN/J2602 Protocols and IrDA®
- 4-Wire SPI module (8 MHz maximum speed)
  - Remappable Pins in 32-Kbyte Flash Devices
- I<sup>2</sup>C™ module (400 kHz)

### Input/Output

- Sink/Source 10 mA or 6 mA, Pin-Specific for Standard VOH/VOL, up to 16 mA or 12 mA for Non-Standard VOH1
- 5V Tolerant Pins
- Up to 20 Selectable Open-Drain and Pull-ups
- Three External Interrupts (two are remappable)

### Qualification and Class B Support

- AEC-Q100 REVG (Grade 1 -40°C to +125°C) Planned
- Class B Safety Library, IEC 60730, UDE Certified

### Debugger Development Support

- In-Circuit and In-Application Programming
- Up to Three Complex Data Breakpoints
- Trace and Run-Time Watch

# dsPIC33FJ16(GP/MC)101/102 AND dsPIC33FJ32(GP/MC)101/102/104

## dsPIC33FJ16(GP/MC)101/102 AND dsPIC33FJ32(GP/MC)101/102/104 PRODUCT FAMILIES

The device names, pin counts, memory sizes, and peripheral availability of each device are listed in [Table 1](#). The following pages show their pinout diagrams.

**TABLE 1: dsPIC33FJ16(GP/MC)101/102 DEVICE FEATURES**

| Device           | Pins | Program Flash (Kbyte) | RAM (Kbytes) | Remappable Peripherals |                               |               |                |      |                                    |     | Motor Control PWM | PWM Faults | 10-Bit, 1.1 Msp/s ADC | RTCC | I <sup>2</sup> C™ | Comparators | CTMU | I/O Pins | Packages               |
|------------------|------|-----------------------|--------------|------------------------|-------------------------------|---------------|----------------|------|------------------------------------|-----|-------------------|------------|-----------------------|------|-------------------|-------------|------|----------|------------------------|
|                  |      |                       |              | Remappable Pins        | 16-bit Timer <sup>(1,2)</sup> | Input Capture | Output Compare | UART | External Interrupts <sup>(3)</sup> | SPI |                   |            |                       |      |                   |             |      |          |                        |
| dsPIC33FJ16GP101 | 18   | 16                    | 1            | 8                      | 3                             | 3             | 2              | 1    | 3                                  | 1   | —                 | —          | 1 ADC, 4-ch           | Y    | 1                 | 3           | Y    | 13       | PDIP, SOIC             |
|                  | 20   | 16                    | 1            | 8                      | 3                             | 3             | 2              | 1    | 3                                  | 1   | —                 | —          | 1 ADC, 4-ch           | Y    | 1                 | 3           | Y    | 15       | SSOP                   |
| dsPIC33FJ16GP102 | 28   | 16                    | 1            | 16                     | 3                             | 3             | 2              | 1    | 3                                  | 1   | —                 | —          | 1 ADC, 6-ch           | Y    | 1                 | 3           | Y    | 21       | SPDIP, SOIC, SSOP, QFN |
|                  | 36   | 16                    | 1            | 16                     | 3                             | 3             | 2              | 1    | 3                                  | 1   | —                 | —          | 1 ADC, 6-ch           | Y    | 1                 | 3           | Y    | 21       | VTLA                   |
| dsPIC33FJ16MC101 | 20   | 16                    | 1            | 10                     | 3                             | 3             | 2              | 1    | 3                                  | 1   | 6-ch              | 1          | 1 ADC, 4-ch           | Y    | 1                 | 3           | Y    | 15       | PDIP, SOIC, SSOP       |
| dsPIC33FJ16MC102 | 28   | 16                    | 1            | 16                     | 3                             | 3             | 2              | 1    | 3                                  | 1   | 6-ch              | 2          | 1 ADC, 6-ch           | Y    | 1                 | 3           | Y    | 21       | SPDIP, SOIC, SSOP, QFN |
|                  | 36   | 16                    | 1            | 16                     | 3                             | 3             | 2              | 1    | 3                                  | 1   | 6-ch              | 2          | 1 ADC, 6-ch           | Y    | 1                 | 3           | Y    | 21       | VTLA                   |

- Note 1:** Two out of three timers are remappable.  
**Note 2:** One pair can be combined to create one 32-bit timer.  
**Note 3:** Two out of three interrupts are remappable.

# dsPIC33FJ16(GP/MC)101/102 AND dsPIC33FJ32(GP/MC)101/102/104

**TABLE 2: dsPIC33FJ32(GP/MC)101/102/104 DEVICE FEATURES**

| Device           | Pins | Program Flash (Kbyte) | RAM (Kbytes) | Remappable Peripherals |                               |               |                |      |                                    |     | Motor Control PWM | PWM Faults | 10-Bit, 1.1 Msps ADC | RTCC | I <sup>2</sup> C™ | Comparators | CTMU | I/O Pins | Packages               |
|------------------|------|-----------------------|--------------|------------------------|-------------------------------|---------------|----------------|------|------------------------------------|-----|-------------------|------------|----------------------|------|-------------------|-------------|------|----------|------------------------|
|                  |      |                       |              | Remappable Pins        | 16-bit Timer <sup>(1,2)</sup> | Input Capture | Output Compare | UART | External Interrupts <sup>(3)</sup> | SPI |                   |            |                      |      |                   |             |      |          |                        |
| dsPIC33FJ32GP101 | 18   | 32                    | 2            | 8                      | 5                             | 3             | 2              | 1    | 3                                  | 1   | —                 | —          | 1 ADC, 6-ch          | Y    | 1                 | 3           | Y    | 13       | PDIP, SOIC             |
|                  | 20   | 32                    | 2            | 8                      | 5                             | 3             | 2              | 1    | 3                                  | 1   | —                 | —          | 1 ADC, 6-ch          | Y    | 1                 | 3           | Y    | 15       | SSOP                   |
| dsPIC33FJ32GP102 | 28   | 32                    | 2            | 16                     | 5                             | 3             | 2              | 1    | 3                                  | 1   | —                 | —          | 1 ADC, 8-ch          | Y    | 1                 | 3           | Y    | 21       | SPDIP, SOIC, SSOP, QFN |
|                  | 36   | 32                    | 2            | 16                     | 5                             | 3             | 2              | 1    | 3                                  | 1   | —                 | —          | 1 ADC, 8-ch          | Y    | 1                 | 3           | Y    | 21       | VTLA                   |
| dsPIC33FJ32GP104 | 44   | 32                    | 2            | 26                     | 5                             | 3             | 2              | 1    | 3                                  | 1   | —                 | —          | 1 ADC, 14-ch         | Y    | 1                 | 3           | Y    | 35       | TQFP, QFN, VTLA        |
| dsPIC33FJ32MC101 | 20   | 32                    | 2            | 10                     | 5                             | 3             | 2              | 1    | 3                                  | 1   | 6-ch              | 1          | 1 ADC, 6-ch          | Y    | 1                 | 3           | Y    | 15       | PDIP, SOIC, SSOP       |
| dsPIC33FJ32MC102 | 28   | 32                    | 2            | 16                     | 5                             | 3             | 2              | 1    | 3                                  | 1   | 6-ch              | 2          | 1 ADC, 8-ch          | Y    | 1                 | 3           | Y    | 21       | SPDIP, SOIC, SSOP, QFN |
|                  | 36   | 32                    | 2            | 16                     | 5                             | 3             | 2              | 1    | 3                                  | 1   | 6-ch              | 2          | 1 ADC, 8-ch          | Y    | 1                 | 3           | Y    | 21       | VTLA                   |
| dsPIC33FJ32MC104 | 44   | 32                    | 2            | 26                     | 5                             | 3             | 2              | 1    | 3                                  | 1   | 6-ch              | 2          | 1 ADC, 14-ch         | Y    | 1                 | 3           | Y    | 35       | TQFP, QFN, VTLA        |

- Note 1:** Four out of five timers are remappable.  
**Note 2:** Two pairs can be combined to have up to two 32-bit timers.  
**Note 3:** Two out of three interrupts are remappable.

# dsPIC33FJ16(GP/MC)101/102 AND dsPIC33FJ32(GP/MC)101/102/104

## Pin Diagrams

### 18-Pin PDIP/SOIC

■ = Pins are up to 5V tolerant

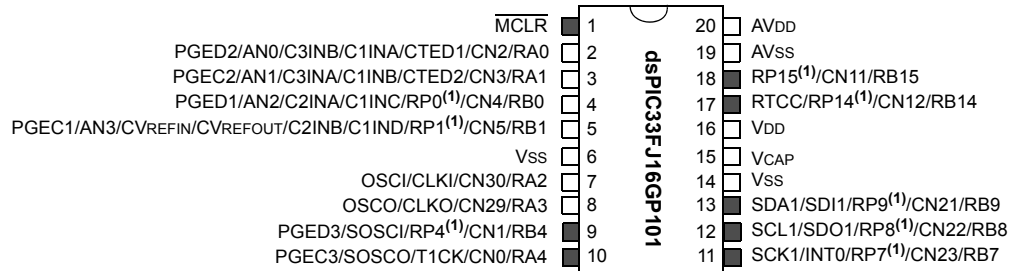


**Note 1:** The RPn pins can be used by any remappable peripheral. See [Table 1](#) for the list of available peripherals.

## Pin Diagrams (Continued)

### 20-Pin SSOP

■ = Pins are up to 5V tolerant



**Note 1:** The RPn pins can be used by any remappable peripheral. See [Table 1](#) for the list of available peripherals.

# dsPIC33FJ16(GP/MC)101/102 AND dsPIC33FJ32(GP/MC)101/102/104

## Pin Diagrams (Continued)

### 28-Pin SPDIP/SOIC/SSOP

■ = Pins are up to 5V tolerant

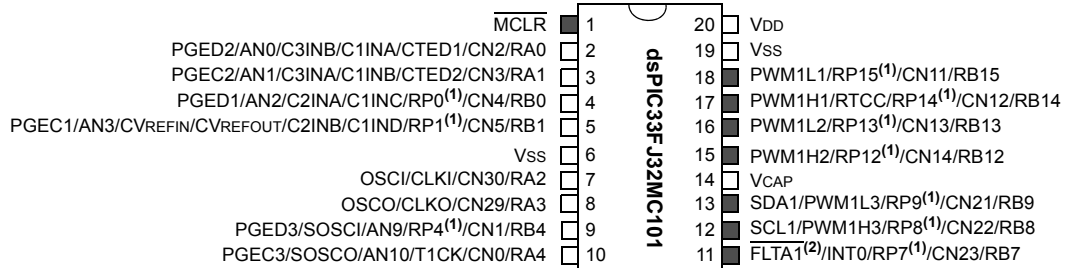
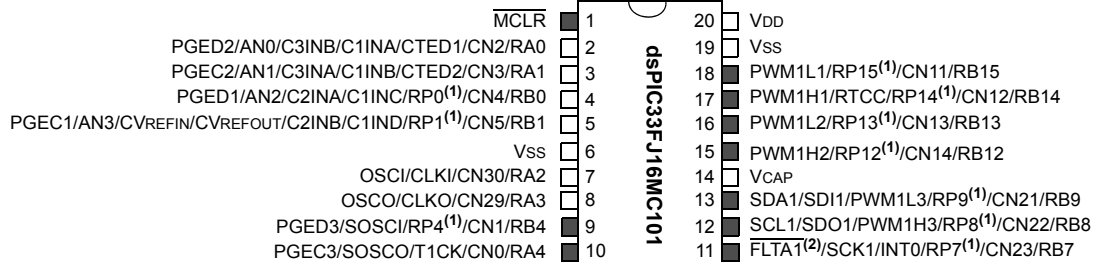


**Note 1:** The RPN pins can be used by any remappable peripheral. See [Table 1](#) for the list of available peripherals.

## Pin Diagrams (Continued)

### 20-Pin PDIP/SOIC/SSOP

■ = Pins are up to 5V tolerant



- Note 1:** The RPN pins can be used by any remappable peripheral. See [Table 1](#) for the list of available peripherals.
- Note 2:** The PWM Fault pins are enabled and asserted during any Reset event. Refer to [Section 15.2 "PWM Faults"](#) for more information on the PWM Faults.

## Pin Diagrams (Continued)

### 28-Pin SPDIP/SOIC/SSOP

■ = Pins are up to 5V tolerant



- Note 1:** The RPN pins can be used by any remappable peripheral. See [Table 1](#) for the list of available peripherals.
- Note 2:** The PWM Fault pins are enabled and asserted during any Reset event. Refer to [Section 15.2 "PWM Faults"](#) for more information on the PWM Faults.



## Pin Diagrams (Continued)

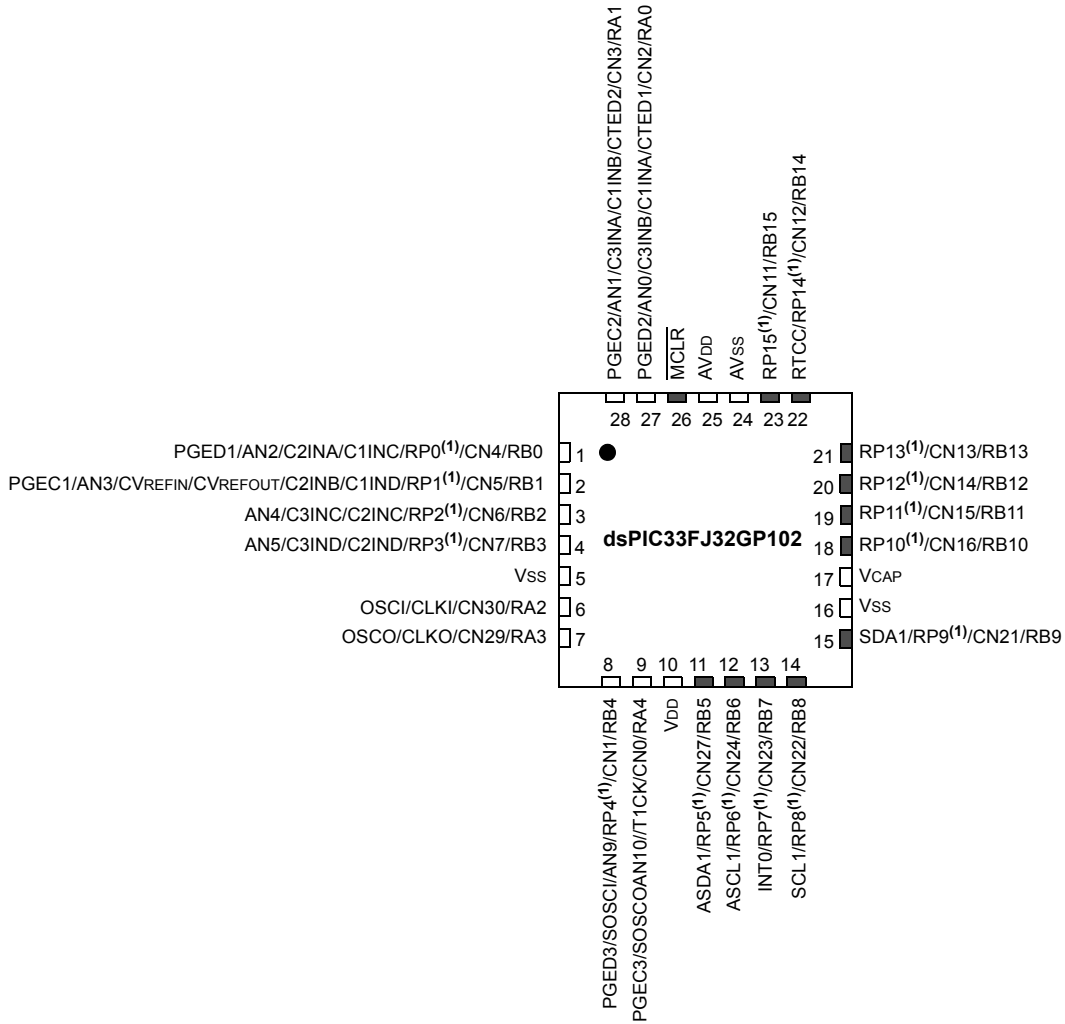


# dsPIC33FJ16(GP/MC)101/102 AND dsPIC33FJ32(GP/MC)101/102/104

## Pin Diagrams (Continued)

28-Pin QFN<sup>(2)</sup>

■ = Pins are up to 5V tolerant



- Note 1:** The RPN pins can be used by any remappable peripheral. See [Table 1](#) for the list of available peripherals.
- Note 2:** The metal pad at the bottom of the device is not connected to any pins and is recommended to be connected to VSS externally.

## Pin Diagrams (Continued)



## Pin Diagrams (Continued)

28-Pin QFN<sup>(2)</sup>

■ = Pins are up to 5V tolerant



- Note 1:** The RPN pins can be used by any remappable peripheral. See [Table 1](#) for the list of available peripherals.
- Note 2:** The metal pad at the bottom of the device is not connected to any pins and is recommended to be connected to Vss externally.
- Note 3:** The PWM Fault pins are enabled and asserted during any Reset event. Refer to [Section 15.2 "PWM Faults"](#) for more information on the PWM Faults.

## Pin Diagrams (Continued)

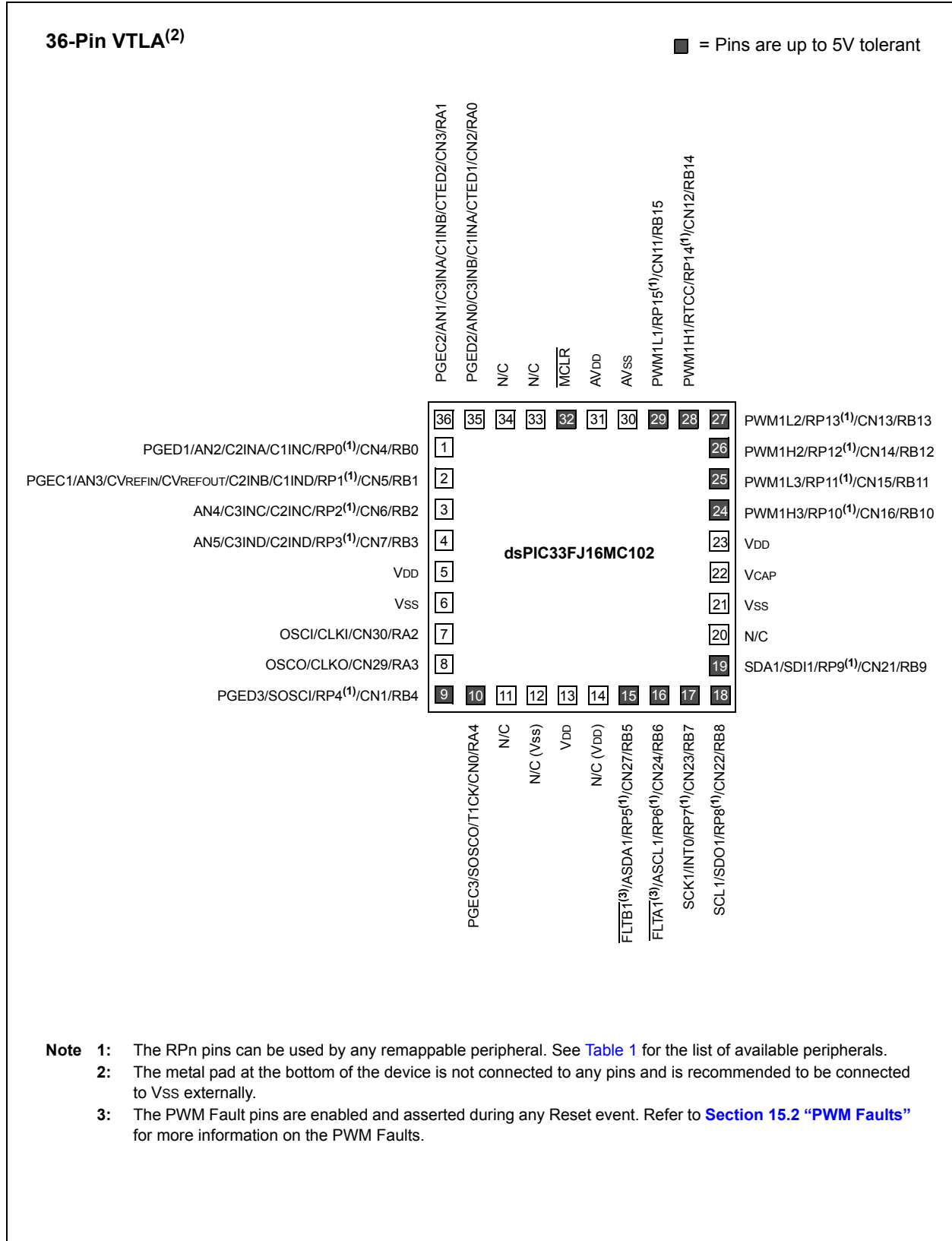


## Pin Diagrams (Continued)



- Note 1:** The RPN pins can be used by any remappable peripheral. See [Table 1](#) for the list of available peripherals.
- Note 2:** The metal pad at the bottom of the device is not connected to any pins and is recommended to be connected to VSS externally.

Pin Diagrams (Continued)



# dsPIC33FJ16(GP/MC)101/102 AND dsPIC33FJ32(GP/MC)101/102/104

## Pin Diagrams (Continued)

### 36-Pin VTLA<sup>(2)</sup>

■ = Pins are up to 5V tolerant



- Note 1:** The RPN pins can be used by any remappable peripheral. See [Table 1](#) for the list of available peripherals.
- Note 2:** The metal pad at the bottom of the device is not connected to any pins and is recommended to be connected to Vss externally.
- Note 3:** The PWM Fault pins are enabled and asserted during any Reset event. Refer to [Section 15.2 “PWM Faults”](#) for more information on the PWM Faults.



## Pin Diagrams (Continued)



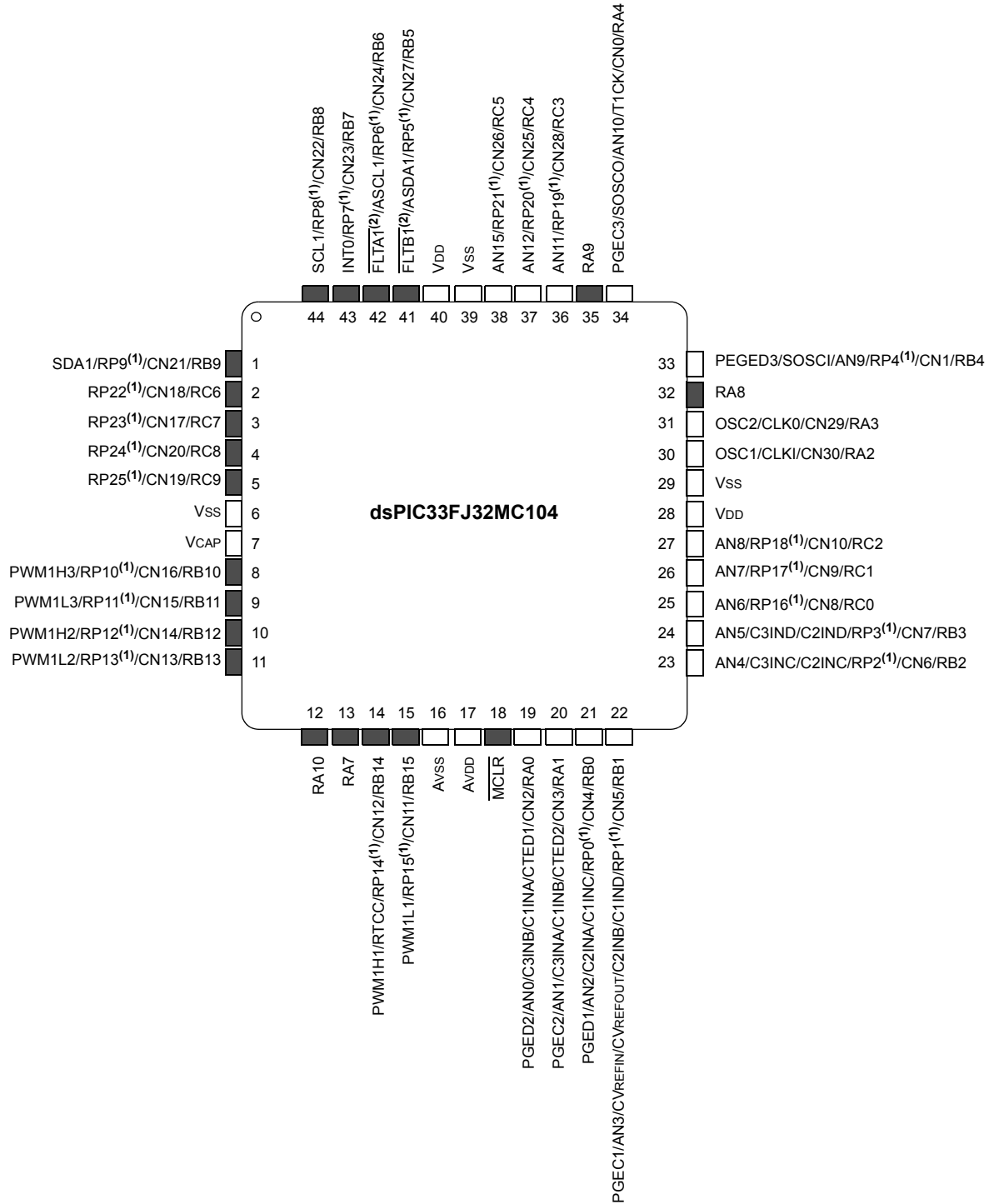
**Note 1:** The RPN pins can be used by any remappable peripheral. See [Table 1](#) for the list of available peripherals.

# dsPIC33FJ16(GP/MC)101/102 AND dsPIC33FJ32(GP/MC)101/102/104

## Pin Diagrams (Continued)

### 44-Pin TQFP

■ = Pins are up to 5V tolerant



- Note 1:** The RPN pins can be used by any remappable peripheral. See [Table 1](#) for the list of available peripherals.
- Note 2:** The PWM Fault pins are enabled and asserted during any Reset event. Refer to [Section 15.2 "PWM Faults"](#) for more information on the PWM Faults.

Pin Diagrams (Continued)



- Note 1:** The RPN pins can be used by any remappable peripheral. See [Table 1](#) for the list of available peripherals.
- Note 2:** The metal pad at the bottom of the device is not connected to any pins and is recommended to be connected to VSS externally.

## Pin Diagrams (Continued)



## Pin Diagrams (Continued)



## Pin Diagrams (Continued)



## Table of Contents

|  |     |
|--|-----|
| dsPIC33FJ16(GP/MC)101/102 and dsPIC33FJ32(GP/MC)101/102/104 Product Families ..... | 2   |
| 1.0 Device Overview .....  | 27  |
| 2.0 Guidelines for Getting Started with 16-bit Digital Signal Controllers .....    | 33  |
| 3.0 CPU .....  | 37  |
| 4.0 Memory Organization .....  | 49  |
| 5.0 Flash Program Memory .....   | 83  |
| 6.0 Resets .....   | 87  |
| 7.0 Interrupt Controller .....   | 95  |
| 8.0 Oscillator Configuration .....   | 125 |
| 9.0 Power-Saving Features .....  | 133 |
| 10.0 I/O Ports .....   | 139 |
| 11.0 Timer1 .....  | 163 |
| 12.0 Timer2/3 and Timer4/5 .....   | 165 |
| 13.0 Input Capture .....   | 173 |
| 14.0 Output Compare .....  | 175 |
| 15.0 Motor Control PWM Module .....  | 179 |
| 16.0 Serial Peripheral Interface (SPI) .....                                       | 195 |
| 17.0 Inter-Integrated Circuit™ (I <sup>2</sup> C™) .....                           | 201 |
| 18.0 Universal Asynchronous Receiver Transmitter (UART) .....                      | 209 |
| 19.0 10-Bit Analog-to-Digital Converter (ADC) .....                                | 215 |
| 20.0 Comparator Module .....   | 229 |
| 21.0 Real-Time Clock and Calendar (RTCC) .....                                     | 241 |
| 22.0 Charge Time Measurement Unit (CTMU) .....                                     | 253 |
| 23.0 Special Features .....  | 259 |
| 24.0 Instruction Set Summary .....   | 267 |
| 25.0 Development Support .....   | 275 |
| 26.0 Electrical Characteristics .....  | 279 |
| 27.0 Packaging Information .....   | 337 |
| Appendix A: Revision History .....   | 367 |
| Index .....  | 375 |
| The Microchip Web Site .....   | 381 |
| Customer Change Notification Service .....   | 381 |
| Customer Support .....   | 381 |
| Reader Response .....  | 382 |
| Product Identification System .....  | 383 |

## TO OUR VALUED CUSTOMERS

It is our intention to provide our valued customers with the best documentation possible to ensure successful use of your Microchip products. To this end, we will continue to improve our publications to better suit your needs. Our publications will be refined and enhanced as new volumes and updates are introduced.

If you have any questions or comments regarding this publication, please contact the Marketing Communications Department via E-mail at [docerrors@microchip.com](mailto:docerrors@microchip.com) or fax the **Reader Response Form** in the back of this data sheet to (480) 792-4150. We welcome your feedback.

### Most Current Data Sheet

To obtain the most up-to-date version of this data sheet, please register at our Worldwide Web site at:

<http://www.microchip.com>

You can determine the version of a data sheet by examining its literature number found on the bottom outside corner of any page. The last character of the literature number is the version number, (e.g., DS30000A is version A of document DS30000).

### Errata

An errata sheet, describing minor operational differences from the data sheet and recommended workarounds, may exist for current devices. As device/documentation issues become known to us, we will publish an errata sheet. The errata will specify the revision of silicon and revision of document to which it applies.

To determine if an errata sheet exists for a particular device, please check with one of the following:

- Microchip's Worldwide Web site; <http://www.microchip.com>
- Your local Microchip sales office (see last page)

When contacting a sales office, please specify which device, revision of silicon and data sheet (include literature number) you are using.

### Customer Notification System

Register on our web site at [www.microchip.com](http://www.microchip.com) to receive the most current information on all of our products.



## Referenced Sources

This device data sheet is based on the following individual chapters of the “*dsPIC33F/PIC24H Family Reference Manual*”. These documents should be considered as the primary reference for the operation of a particular module or device feature.

**Note 1:** To access the documents listed below, browse to the documentation section of the [dsPIC33FJ16MC102](#) product page of the Microchip Web site ([www.microchip.com](http://www.microchip.com)).

In addition to parameters, features, and other documentation, the resulting page provides links to the related family reference manual sections.

- **Section 2. “CPU”** (DS70204)
- **Section 3. “Data Memory”** (DS70202)
- **Section 4. “Program Memory”** (DS70203)
- **Section 5. “Flash Programming”** (DS70191)
- **Section 8. “Reset”** (DS70192)
- **Section 9. “Watchdog Timer and Power-Saving Modes”** (DS70196)
- **Section 11. “Timers”** (DS70205)
- **Section 12. “Input Capture”** (DS70198)
- **Section 13. “Output Compare”** (DS70209)
- **Section 14. “Motor Control PWM”** (DS70187)
- **Section 16. “Analog-to-Digital Converter (ADC)”** (DS70183)
- **Section 17. “UART”** (DS70188)
- **Section 18. “Serial Peripheral Interface (SPI)”** (DS70206)
- **Section 19. “Inter-Integrated Circuit™ (I<sup>2</sup>C™)”** (DS70195)
- **Section 23. “CodeGuard Security”** (DS70199)
- **Section 24. “Programming and Diagnostics”** (DS70207)
- **Section 25. “Device Configuration”** (DS70194)
- **Section 30. “I/O Ports with Peripheral Pin Select (PPS)”** (DS70190)
- **Section 37. “Real-Time Clock and Calendar (RTCC)”** (DS70301)
- **Section 51. “Introduction (Part VI)”** (DS70655)
- **Section 52. “Oscillator (Part VI)”** (DS70644)
- **Section 53. “Interrupts (Part VI)”** (DS70633)
- **Section 54. “Comparator with Blanking”** (DS70647)
- **Section 55. “Charge Time Measurement Unit (CTMU)”** (DS70635)

# **dsPIC33FJ16(GP/MC)101/102 AND dsPIC33FJ32(GP/MC)101/102/104**

---

NOTES:

## 1.0 DEVICE OVERVIEW

**Note:** This data sheet summarizes the features of the dsPIC33FJ16(GP/MC)101/102 and dsPIC33FJ32(GP/MC)101/102/104 devices. However, it is not intended to be a comprehensive reference source. To complement the information in this data sheet, refer to the latest family reference sections of the “*dsPIC33F/PIC24H Family Reference Manual*”, which are available from the Microchip web site ([www.microchip.com](http://www.microchip.com)).

This data sheet contains device-specific information for dsPIC33FJ16(GP/MC)101/102 and dsPIC33FJ32(GP/MC)101/102/104 Digital Signal Controller (DSC) Devices. These devices contain extensive Digital Signal Processor (DSP) functionality with a high-performance, 16-bit microcontroller (MCU) architecture.

[Figure 1-1](#) shows a general block diagram of the core and peripheral modules in the dsPIC33FJ16(GP/MC)101/102 and dsPIC33FJ32(GP/MC)101/102/104 family of devices. [Table 1-1](#) lists the functions of the various pins shown in the pinout diagrams.

# dsPIC33FJ16(GP/MC)101/102 AND dsPIC33FJ32(GP/MC)101/102/104

**FIGURE 1-1: dsPIC33FJ16(GP/MC)101/102 AND dsPIC33FJ32(GP/MC)101/102/104 BLOCK DIAGRAM**



**Note:** Not all pins or features are implemented on all device pinout configurations. See the “Pin Diagrams” section for the specific pins and features present on each device.

# dsPIC33FJ16(GP/MC)101/102 AND dsPIC33FJ32(GP/MC)101/102/104

**TABLE 1-1: PINOUT I/O DESCRIPTIONS**

| Pin Name   | Pin Type              | Buffer Type                | PPS                            | Description  |
|--|-----------------------|----------------------------|--------------------------------|--|
| AN0-AN12,<br>AN15 <sup>(5)</sup>                                   | I                     | Analog                     | No                             | Analog input channels.   |
| CLKI<br>CLKO   | I<br>O                | ST/CMOS<br>—               | No<br>No                       | External clock source input. Always associated with OSC1 pin function.<br>Oscillator crystal output. Connects to crystal or resonator in Crystal Oscillator mode. Optionally functions as CLKO in RC and EC modes. Always associated with OSC2 pin function. |
| OSC1<br>OSC2   | I<br>I/O              | ST/CMOS<br>—               | No<br>No                       | Oscillator crystal input. ST buffer when configured in RC mode; CMOS otherwise.<br>Oscillator crystal output. Connects to crystal or resonator in Crystal Oscillator mode. Optionally functions as CLKO in RC and EC modes.                                  |
| SOSCI<br>SOSCO   | I<br>O                | ST/CMOS<br>—               | No<br>No                       | 32.768 kHz low-power oscillator crystal input; CMOS otherwise.<br>32.768 kHz low-power oscillator crystal output.  |
| CN0-CN30 <sup>(5)</sup>  | I                     | ST                         | No                             | Change Notification inputs. Can be software programmed for internal weak pull-ups on all inputs.   |
| IC1-IC3  | I                     | ST                         | Yes                            | Capture Inputs 1/2/3.  |
| OCFA<br>OC1-OC2  | I<br>O                | ST<br>—                    | Yes<br>Yes                     | Compare Fault A input (for Compare Channels 1 and 2).<br>Compare Outputs 1 through 2.  |
| INT0<br>INT1<br>INT2   | I<br>I<br>I           | ST<br>ST<br>ST             | No<br>Yes<br>Yes               | External Interrupt 0.<br>External Interrupt 1.<br>External Interrupt 2.  |
| RA0-RA4,<br>RA7-RA10 <sup>(5)</sup>                                | I/O                   | ST                         | No                             | PORTA is a bidirectional I/O port.   |
| RB0-RB15 <sup>(5)</sup>  | I/O                   | ST                         | No                             | PORTB is a bidirectional I/O port.   |
| RC0-RC9 <sup>(5)</sup>   | I/O                   | ST                         | No                             | PORTC is a bidirectional I/O port.   |
| T1CK<br>T2CK<br>T3CK<br>T4CK <sup>(6)</sup><br>T5CK <sup>(6)</sup> | I<br>I<br>I<br>I<br>I | ST<br>ST<br>ST<br>ST<br>ST | No<br>Yes<br>Yes<br>Yes<br>Yes | Timer1 external clock input.<br>Timer2 external clock input.<br>Timer3 external clock input.<br>Timer4 external clock input.<br>Timer5 external clock input.   |
| U1CTS<br>U1RTS<br>U1RX<br>U1TX                                     | I<br>O<br>I<br>O      | ST<br>—<br>ST<br>—         | Yes<br>Yes<br>Yes<br>Yes       | UART1 Clear-to-Send.<br>UART1 Ready-to-Send.<br>UART1 receive.<br>UART1 transmit.  |
| SCK1<br>SDI1<br>SDO1   | I/O<br>I<br>O         | ST<br>ST<br>—              | Yes<br>Yes<br>Yes              | Synchronous serial clock input/output for SPI1.<br>SPI1 data in.<br>SPI1 data out.   |

**Legend:** CMOS = CMOS compatible input or output      Analog = Analog input      P = Power  
 ST = Schmitt Trigger input with CMOS levels      O = Output      I = Input  
 PPS = Peripheral Pin Select

- Note 1:** An external pull-down resistor is required for the  $\overline{\text{FLTA1}}$  pin on dsPIC33FJXXMC101 (20-pin) devices.  
**2:** The  $\overline{\text{FLTA1}}$  pin and the PWM1Lx/PWM1Hx pins are available in dsPIC(16/32)MC10X devices only.  
**3:** The FLTB1 pin is available in dsPIC(16/32)MC102/104 devices only.  
**4:** The PWM Fault pins are enabled during any Reset event. Refer to [Section 15.2 “PWM Faults”](#) for more information on the PWM Faults.  
**5:** Not all pins are available on all devices. Refer to the specific device in the [“Pin Diagrams”](#) section for availability.  
**6:** This pin is available in dsPIC33FJ32(GP/MC)104 (44-pin) devices only.

# dsPIC33FJ16(GP/MC)101/102 AND dsPIC33FJ32(GP/MC)101/102/104

**TABLE 1-1: PINOUT I/O DESCRIPTIONS (CONTINUED)**

| Pin Name                 | Pin Type | Buffer Type | PPS | Description  |
|--------------------------|----------|-------------|-----|--|
| SCL1                     | I/O      | ST          | No  | Synchronous serial clock input/output for I2C1.                            |
| SDA1                     | I/O      | ST          | No  | Synchronous serial data input/output for I2C1.                             |
| ASCL1                    | I/O      | ST          | No  | Alternate synchronous serial clock input/output for I2C1.                  |
| ASDA1                    | I/O      | ST          | No  | Alternate synchronous serial data input/output for I2C1.                   |
| FLTA1 <sup>(1,2,4)</sup> | I        | ST          | No  | PWM1 Fault A input.  |
| FLTB1 <sup>(3,4)</sup>   | I        | ST          | No  | PWM1 Fault B input.  |
| PWM1L1                   | O        | —           | No  | PWM1 Low Output 1  |
| PWM1H1                   | O        | —           | No  | PWM1 High Output 1   |
| PWM1L2                   | O        | —           | No  | PWM1 Low Output 2  |
| PWM1H2                   | O        | —           | No  | PWM1 High Output 2   |
| PWM1L3                   | O        | —           | No  | PWM1 Low Output 3  |
| PWM1H3                   | O        | —           | No  | PWM1 High Output 3   |
| RTCC                     | O        | Digital     | No  | RTCC Alarm output.   |
| CTPLS                    | O        | Digital     | Yes | CTMU pulse output.   |
| CTED1                    | I        | Digital     | No  | CTMU External Edge Input 1.  |
| CTED2                    | I        | Digital     | No  | CTMU External Edge Input 2.  |
| CVREFIN                  | I        | Analog      | No  | Comparator Voltage Positive Reference Input.                               |
| CVREFOUT                 | O        | Analog      | No  | Comparator Voltage Positive Reference Output.                              |
| C1INA                    | I        | Analog      | No  | Comparator 1 Positive Input A.   |
| C1INB                    | I        | Analog      | No  | Comparator 1 Negative Input B.   |
| C1INC                    | I        | Analog      | No  | Comparator 1 Negative Input C.   |
| C1IND                    | I        | Analog      | No  | Comparator 1 Negative Input D.   |
| C1OUT                    | O        | Digital     | Yes | Comparator 1 Output.   |
| C2INA                    | I        | Analog      | No  | Comparator 2 Positive Input A.   |
| C2INB                    | I        | Analog      | No  | Comparator 2 Negative Input B.   |
| C2INC                    | I        | Analog      | No  | Comparator 2 Negative Input C.   |
| C2IND                    | I        | Analog      | No  | Comparator 2 Negative Input D.   |
| C2OUT                    | O        | Digital     | Yes | Comparator 2 Output.   |
| C3INA                    | I        | Analog      | No  | Comparator 3 Positive Input A.   |
| C3INB                    | I        | Analog      | No  | Comparator 3 Negative Input B.   |
| C3INC                    | I        | Analog      | No  | Comparator 3 Negative Input C.   |
| C3IND                    | I        | Analog      | No  | Comparator 3 Negative Input D.   |
| C3OUT                    | O        | Digital     | Yes | Comparator 3 Output.   |
| PGED1                    | I/O      | ST          | No  | Data I/O pin for Programming/Debugging Communication Channel 1.            |
| PGEC1                    | I        | ST          | No  | Clock input pin for Programming/Debugging Communication Channel 1.         |
| PGED2                    | I/O      | ST          | No  | Data I/O pin for Programming/Debugging Communication Channel 2.            |
| PGEC2                    | I        | ST          | No  | Clock input pin for Programming/Debugging Communication Channel 2.         |
| PGED3                    | I/O      | ST          | No  | Data I/O pin for Programming/Debugging Communication Channel 3.            |
| PGEC3                    | I        | ST          | No  | Clock input pin for Programming/Debugging Communication Channel 3.         |
| MCLR                     | I/P      | ST          | No  | Master Clear (Reset) input. This pin is an active-low Reset to the device. |

**Legend:** CMOS = CMOS compatible input or output      Analog = Analog input      P = Power  
 ST = Schmitt Trigger input with CMOS levels      O = Output      I = Input  
 PPS = Peripheral Pin Select

- Note 1:** An external pull-down resistor is required for the  $\overline{\text{FLTA1}}$  pin on dsPIC33FJXXMC101 (20-pin) devices.  
**Note 2:** The  $\overline{\text{FLTA1}}$  pin and the PWM1Lx/PWM1Hx pins are available in dsPIC(16/32)MC10X devices only.  
**Note 3:** The  $\overline{\text{FLTB1}}$  pin is available in dsPIC(16/32)MC102/104 devices only.  
**Note 4:** The PWM Fault pins are enabled during any Reset event. Refer to [Section 15.2 “PWM Faults”](#) for more information on the PWM Faults.  
**Note 5:** Not all pins are available on all devices. Refer to the specific device in the [“Pin Diagrams”](#) section for availability.  
**Note 6:** This pin is available in dsPIC33FJ32(GP/MC)104 (44-pin) devices only.

**TABLE 1-1: PINOUT I/O DESCRIPTIONS (CONTINUED)**

| Pin Name | Pin Type | Buffer Type | PPS | Description   |
|----------|----------|-------------|-----|---|
| AVDD     | P        | P           | No  | Positive supply for analog modules. This pin must be connected at all times. AVDD is connected to VDD in the 18-pin dsPIC33FJXXGP101 and 20-pin dsPIC33FJXXMC101 devices. In all other devices, AVDD is separated from VDD. |
| AVSS     | P        | P           | No  | Ground reference for analog modules. AVSS is connected to VSS in the 18-pin dsPIC33FJXXGP101 and 20-pin dsPIC33FJXXMC101 devices. In all other devices, AVSS is separated from VSS.   |
| VDD      | P        | —           | No  | Positive supply for peripheral logic and I/O pins.  |
| VCAP     | P        | —           | No  | CPU logic filter capacitor connection.  |
| VSS      | P        | —           | No  | Ground reference for logic and I/O pins.  |

**Legend:** CMOS = CMOS compatible input or output      Analog = Analog input      P = Power  
 ST = Schmitt Trigger input with CMOS levels      O = Output      I = Input  
 PPS = Peripheral Pin Select

- Note 1:** An external pull-down resistor is required for the  $\overline{\text{FLTA1}}$  pin on dsPIC33FJXXMC101 (20-pin) devices.  
**2:** The  $\overline{\text{FLTA1}}$  pin and the PWM1Lx/PWM1Hx pins are available in dsPIC(16/32)MC10X devices only.  
**3:** The  $\overline{\text{FLTB1}}$  pin is available in dsPIC(16/32)MC102/104 devices only.  
**4:** The PWM Fault pins are enabled during any Reset event. Refer to [Section 15.2 “PWM Faults”](#) for more information on the PWM Faults.  
**5:** Not all pins are available on all devices. Refer to the specific device in the [“Pin Diagrams”](#) section for availability.  
**6:** This pin is available in dsPIC33FJ32(GP/MC)104 (44-pin) devices only.

# **dsPIC33FJ16(GP/MC)101/102 AND dsPIC33FJ32(GP/MC)101/102/104**

---

NOTES:



## 2.0 GUIDELINES FOR GETTING STARTED WITH 16-BIT DIGITAL SIGNAL CONTROLLERS

**Note 1:** This data sheet summarizes the features of the dsPIC33FJ16(GP/MC)101/102 and dsPIC33FJ32(GP/MC)101/102/104 family devices. It is not intended to be a comprehensive reference source. To complement the information in this data sheet, refer to the “dsPIC33F/PIC24H Family Reference Manual”. Please see the Microchip web site ([www.microchip.com](http://www.microchip.com)) for the latest “dsPIC33F/PIC24H Family Reference Manual” sections.

**2:** Some registers and associated bits described in this section may not be available on all devices. Refer to **Section 4.0 “Memory Organization”** in this data sheet for device-specific register and bit information.

### 2.1 Basic Connection Requirements

Getting started with the dsPIC33FJ16(GP/MC)101/102 and dsPIC33FJ32(GP/MC)101/102/104 family of 16-bit Digital Signal Controllers (DSCs) requires attention to a minimal set of device pin connections before proceeding with development. The following is a list of pin names, which must always be connected:

- All VDD and VSS pins  
(see **Section 2.2 “Decoupling Capacitors”**)
- All AVDD and AVSS pins, if present on the device (regardless if ADC module is not used)  
(see **Section 2.2 “Decoupling Capacitors”**)
- VCAP  
(see **Section 2.3 “CPU Logic Filter Capacitor Connection (VCAP)”**)
- MCLR pin  
(see **Section 2.4 “Master Clear (MCLR) Pin”**)
- PGECx/PGEDx pins used for In-Circuit Serial Programming™ (ICSP™) and debugging purposes  
(see **Section 2.5 “ICSP Pins”**)
- OSC1 and OSC2 pins when external oscillator source is used  
(see **Section 2.6 “External Oscillator Pins”**)

### 2.2 Decoupling Capacitors

The use of decoupling capacitors on every pair of power supply pins, such as VDD, VSS, AVDD, and AVSS is required.

Consider the following criteria when using decoupling capacitors:

- **Value and type of capacitor:** Recommendation of 0.1  $\mu\text{F}$  (100 nF), 10V-20V. This capacitor should be a low-ESR and have resonance frequency in the range of 20 MHz and higher. It is recommended that ceramic capacitors be used.
- **Placement on the printed circuit board:** The decoupling capacitors should be placed as close to the pins as possible. It is recommended to place the capacitors on the same side of the board as the device. If space is constricted, the capacitor can be placed on another layer on the PCB using a via; however, ensure that the trace length from the pin to the capacitor is within one-quarter inch (6 mm) in length.
- **Handling high-frequency noise:** If the board is experiencing high-frequency noise, upward of tens of MHz, add a second ceramic-type capacitor in parallel to the above described decoupling capacitor. The value of the second capacitor can be in the range of 0.01  $\mu\text{F}$  to 0.001  $\mu\text{F}$ . Place this second capacitor next to the primary decoupling capacitor. In high-speed circuit designs, consider implementing a decade pair of capacitances as close to the power and ground pins as possible. For example, 0.1  $\mu\text{F}$  in parallel with 0.001  $\mu\text{F}$ .
- **Maximizing performance:** On the board layout from the power supply circuit, run the power and return traces to the decoupling capacitors first, and then to the device pins. This ensures that the decoupling capacitors are first in the power chain. Equally important is to keep the trace length between the capacitor and the power pins to a minimum thereby reducing PCB track inductance.

**FIGURE 2-1: RECOMMENDED MINIMUM CONNECTION**



## 2.2.1 TANK CAPACITORS

On boards with power traces running longer than six inches in length, it is suggested to use a tank capacitor for integrated circuits including DSCs to supply a local power source. The value of the tank capacitor should be determined based on the trace resistance that connects the power supply source to the device, and the maximum current drawn by the device in the application. In other words, select the tank capacitor so that it meets the acceptable voltage sag at the device. Typical values range from 4.7 µF to 47 µF.

## 2.3 CPU Logic Filter Capacitor Connection (VCAP)

A low-ESR (< 5 Ohms) capacitor is required on the VCAP pin, which is used to stabilize the voltage regulator output voltage. The VCAP pin must not be connected to VDD, and must have a capacitor between 4.7 µF and 10 µF, 16V connected to ground. The type can be ceramic or tantalum. Refer to [Section 26.0 "Electrical Characteristics"](#) for additional information.

The placement of this capacitor should be close to the VCAP. It is recommended that the trace length not exceed one-quarter inch (6 mm). Refer to [Section 23.2 "On-Chip Voltage Regulator"](#) for details.

## 2.4 Master Clear (MCLR) Pin

The MCLR pin provides two specific device functions:

- Device Reset
- Device programming and debugging

During device programming and debugging, the resistance and capacitance that can be added to the pin must be considered. Device programmers and debuggers drive the MCLR pin. Consequently, specific voltage levels (VIH and VIL) and fast signal transitions must not be adversely affected. Therefore, specific values of R and C will need to be adjusted based on the application and PCB requirements.

For example, as shown in [Figure 2-2](#), it is recommended that the capacitor C, be isolated from the MCLR pin during programming and debugging operations.

Place the components shown in [Figure 2-2](#) within one-quarter inch (6 mm) from the MCLR pin.

**FIGURE 2-2: EXAMPLE OF MCLR PIN CONNECTIONS**



## 2.5 ICSP Pins

The PGECx and PGEDx pins are used for In-Circuit Serial Programming™ (ICSP™) and debugging purposes. It is recommended to keep the trace length between the ICSP connector and the ICSP pins on the device as short as possible. If the ICSP connector is expected to experience an ESD event, a series resistor is recommended, with the value in the range of a few tens of Ohms, not to exceed 100 Ohms.

Pull-up resistors, series diodes, and capacitors on the PGECx and PGEDx pins are not recommended as they will interfere with the programmer/debugger communications to the device. If such discrete components are an application requirement, they should be removed from the circuit during programming and debugging. Alternately, refer to the AC/DC characteristics and timing requirements information in the “dsPIC33F Flash Programming Specification for Devices with Volatile Configuration Bits” (DS70659) for information on capacitive loading limits and pin Input Voltage High (V<sub>IH</sub>) and Input Voltage Low (V<sub>IL</sub>) requirements.

Ensure that the “Communication Channel Select” (i.e., PGECx/PGEDx pins) programmed into the device matches the physical connections for the ICSP to MPLAB® ICD 3 or MPLAB REAL ICE™.

For more information on ICD 3 and REAL ICE connection requirements, refer to the following documents that are available on the Microchip web site.

- “Using MPLAB® ICD 3” (poster) (DS51765)
- “MPLAB® ICD 3 Design Advisory” (DS51764)
- “MPLAB® REAL ICE™ In-Circuit Debugger User’s Guide” (DS51616)
- “Using MPLAB® REAL ICE™” (poster) (DS51749)

## 2.6 External Oscillator Pins

Many DSCs have options for at least two oscillators: a high-frequency primary oscillator and a low-frequency secondary oscillator (refer to [Section 8.0 “Oscillator Configuration”](#) for details).

The oscillator circuit should be placed on the same side of the board as the device. Also, place the oscillator circuit close to the respective oscillator pins, not exceeding one-half inch (12 mm) distance between them. The load capacitors should be placed next to the oscillator itself, on the same side of the board. Use a grounded copper pour around the oscillator circuit to isolate them from surrounding circuits. The grounded copper pour should be routed directly to the MCU ground. Do not run any signal traces or power traces inside the ground pour. Also, if using a two-sided board, avoid any traces on the other side of the board where the crystal is placed. A suggested layout is shown in [Figure 2-3](#).

**FIGURE 2-3: SUGGESTED PLACEMENT OF THE OSCILLATOR CIRCUIT**



## 2.7 Oscillator Value Conditions on Device Start-up

If the PLL of the target device is enabled and configured for the device start-up oscillator, the maximum oscillator source frequency must be limited to  $4\text{ MHz} < F_{IN} < 8\text{ MHz}$  (for MSPLL mode) or  $3\text{ MHz} < F_{IN} < 8\text{ MHz}$  (for ECPLL mode) to comply with device PLL start-up conditions. HSPLL mode is not supported. This means that if the external oscillator frequency is outside this range, the application must start-up in the FRC mode first. The fixed PLL settings of 4x after a POR with an oscillator frequency outside this range will violate the device operating speed.

Once the device powers up, the application firmware can enable the PLL, and then perform a clock switch to the Oscillator + PLL clock source. Note that clock switching must be enabled in the device Configuration Word.

## 2.8 Configuration of Analog and Digital Pins During ICSP Operations

If MPLAB ICD 3 or MPLAB REAL ICE in-circuit emulator is selected as a debugger, it automatically initializes all of the Analog-to-Digital input pins (ANx) as “digital” pins, by setting all bits in the AD1PCFGL register.

The bits in the register that correspond to the Analog-to-Digital pins that are initialized by MPLAB ICD 3 or MPLAB REAL ICE in-circuit emulator, must not be cleared by the user application firmware; otherwise, communication errors will result between the debugger and the device.

If your application needs to use certain Analog-to-Digital pins as analog input pins during the debug session, the user application must clear the corresponding bits in the AD1PCFGL register during initialization of the ADC module.

When MPLAB ICD 3 or MPLAB REAL ICE in-circuit emulator is used as a programmer, the user application firmware must correctly configure the AD1PCFGL register. Automatic initialization of this register is only done during debugger operation. Failure to correctly configure the register(s) will result in all Analog-to-Digital pins being recognized as analog input pins, resulting in the port value being read as a logic ‘0’, which may affect user application functionality.

## 2.9 Unused I/Os

Unused I/O pins should be configured as outputs and driven to a logic-low state.

Alternately, connect a 1k to 10k resistor between V<sub>SS</sub> and unused pins.

## 3.0 CPU

**Note 1:** This data sheet summarizes the features of the dsPIC33FJ16(GP/MC)101/102 and dsPIC33FJ32(GP/MC)101/102/104 family devices. It is not intended to be a comprehensive reference source. To complement the information in this data sheet, refer to **Section 2. “CPU”** (DS70204) in the “*dsPIC33F/PIC24H Family Reference Manual*”, which is available from the Microchip web site ([www.microchip.com](http://www.microchip.com)).

**2:** Some registers and associated bits described in this section may not be available on all devices. Refer to **Section 4.0 “Memory Organization”** in this data sheet for device-specific register and bit information.

The dsPIC33FJ16(GP/MC)101/102 and dsPIC33FJ32(GP/MC)101/102/104 CPU module has a 16-bit (data) modified Harvard architecture with an enhanced instruction set, including significant support for DSP. The CPU has a 24-bit instruction word with a variable length opcode field. The Program Counter (PC) is 23 bits wide and addresses up to 4M x 24 bits of user program memory space. The actual amount of program memory implemented varies by device. A single-cycle instruction prefetch mechanism is used to help maintain throughput and provides predictable execution. All instructions execute in a single cycle, with the exception of instructions that change the program flow, the double-word move (MOV.D) instruction and the table instructions. Overhead-free program loop constructs are supported using the DO and REPEAT instructions, both of which are interruptible at any point.

The dsPIC33FJ16(GP/MC)101/102 and dsPIC33FJ32(GP/MC)101/102/104 devices have sixteen, 16-bit working registers in the programmer's model. Each of the working registers can serve as a data, address, or address offset register. The 16th working register (W15) operates as a software Stack Pointer (SP) for interrupts and calls.

There are two classes of instruction in the dsPIC33FJ16(GP/MC)101/102 and dsPIC33FJ32(GP/MC)101/102/104 devices: MCU and DSP. These two instruction classes are seamlessly integrated into a single CPU. The instruction set includes many addressing modes and is designed for optimum C compiler efficiency. For most instructions, dsPIC33FJ16(GP/MC)101/102 and dsPIC33FJ32(GP/MC)101/102/104 devices are capable of executing a data (or program data) memory read, a working register (data) read, a data memory write, and a program (instruction) memory read per instruction cycle. As a result, three parameter instructions can be supported, allowing  $A + B = C$  operations to be executed in a single cycle.

A block diagram of the CPU is shown in [Figure 3-1](#), and the programmer's model for the dsPIC33FJ16(GP/MC)101/102 and dsPIC33FJ32(GP/MC)101/102/104 is shown in [Figure 3-2](#).

### 3.1 Data Addressing Overview

The data space can be addressed as 32K words or 64 Kbytes and is split into two blocks, referred to as X and Y data memory. Each memory block has its own independent Address Generation Unit (AGU). The MCU class of instructions operates solely through the X memory AGU, which accesses the entire memory map as one linear data space. Certain DSP instructions operate through the X and Y AGUs to support dual operand reads, which splits the data address space into two parts. The X and Y data space boundary is device-specific.

Overhead-free circular buffers (Modulo Addressing mode) are supported in both X and Y address spaces. The Modulo Addressing removes the software boundary checking overhead for DSP algorithms. Furthermore, the X AGU circular addressing can be used with any of the MCU class of instructions. The X AGU also supports Bit-Reversed Addressing to greatly simplify input or output data reordering for radix-2 FFT algorithms.

The upper 32 Kbytes of the data space memory map can optionally be mapped into program space at any 16K program word boundary defined by the 8-bit Program Space Visibility Page (PSVPAG) register. The program-to-data-space mapping feature lets any instruction access program space as if it were data space.

### 3.2 DSP Engine Overview

The DSP engine features a high-speed 17-bit by 17-bit multiplier, a 40-bit ALU, two 40-bit saturating accumulators, and a 40-bit bidirectional barrel shifter. The barrel shifter is capable of shifting a 40-bit value up to 16 bits right or left, in a single cycle. The DSP instructions operate seamlessly with all other instructions and have been designed for optimal real-time performance. The MAC instruction and other associated instructions can concurrently fetch two data operands from memory, while multiplying two W registers and accumulating and optionally saturating the result in the same cycle. This instruction functionality requires that the RAM data space be split for these instructions and linear for all others. Data space partitioning is achieved in a transparent and flexible manner through dedicating certain working registers to each address space.

# dsPIC33FJ16(GP/MC)101/102 AND dsPIC33FJ32(GP/MC)101/102/104

## 3.3 Special MCU Features

The dsPIC33FJ16(GP/MC)101/102 and dsPIC33FJ32(GP/MC)101/102/104 features a 17-bit by 17-bit single-cycle multiplier that is shared by both the MCU ALU and DSP engine. The multiplier can perform signed, unsigned and mixed-sign multiplication. Using a 17-bit by 17-bit multiplier for 16-bit by 16-bit multiplication not only allows you to perform mixed-sign multiplication, it also achieves accurate results for special operations, such as  $(-1.0) \times (-1.0)$ .

The dsPIC33FJ16(GP/MC)101/102 and dsPIC33FJ32(GP/MC)101/102/104 supports 16/16 and 32/16 divide operations, both fractional and integer. All divide instructions are iterative operations. They must be executed within a REPEAT loop, resulting in a total execution time of 19 instruction cycles. The divide operation can be interrupted during any of those 19 cycles without loss of data.

A 40-bit barrel shifter is used to perform up to a 16-bit left or right shift in a single cycle. The barrel shifter can be used by both MCU and DSP instructions.

**FIGURE 3-1: dsPIC33FJ16(GP/MC)101/102 AND dsPIC33FJ32(GP/MC)101/102/104 CPU CORE BLOCK DIAGRAM**



**FIGURE 3-2: dsPIC33FJ16(GP/MC)101/102 AND dsPIC33FJ32(GP/MC)101/102/104 PROGRAMMER'S MODEL**



# dsPIC33FJ16(GP/MC)101/102 AND dsPIC33FJ32(GP/MC)101/102/104

## 3.4 CPU Control Registers

### REGISTER 3-1: SR: CPU STATUS REGISTER

|        |     |                   |                   |     |       |     |       |
|--------|-----|-------------------|-------------------|-----|-------|-----|-------|
| R-0    | R-0 | R/C-0             | R/C-0             | R-0 | R/C-0 | R-0 | R/W-0 |
| OA     | OB  | SA <sup>(1)</sup> | SB <sup>(1)</sup> | OAB | SAB   | DA  | DC    |
| bit 15 |     |                   |                   |     |       |     | bit 8 |

|                         |                      |                      |     |       |       |       |       |
|-------------------------|----------------------|----------------------|-----|-------|-------|-------|-------|
| R/W-0 <sup>(3)</sup>    | R/W-0 <sup>(3)</sup> | R/W-0 <sup>(3)</sup> | R-0 | R/W-0 | R/W-0 | R/W-0 | R/W-0 |
| IPL<2:0> <sup>(2)</sup> |                      |                      | RA  | N     | OV    | Z     | C     |
| bit 7                   |                      |                      |     |       |       |       | bit 0 |

|                   |                   |                                    |                    |
|-------------------|-------------------|------------------------------------|--------------------|
| <b>Legend:</b>    | C = Clearable bit |                                    |                    |
| R = Readable bit  | W = Writable bit  | U = Unimplemented bit, read as '0' |                    |
| -n = Value at POR | '1' = Bit is set  | '0' = Bit is cleared               | x = Bit is unknown |

- bit 15      **OA:** Accumulator A Overflow Status bit  
 1 = Accumulator A overflowed  
 0 = Accumulator A has not overflowed
- bit 14      **OB:** Accumulator B Overflow Status bit  
 1 = Accumulator B overflowed  
 0 = Accumulator B has not overflowed
- bit 13      **SA:** Accumulator A Saturation 'Sticky' Status bit<sup>(1)</sup>  
 1 = Accumulator A is saturated or has been saturated at some time  
 0 = Accumulator A is not saturated
- bit 12      **SB:** Accumulator B Saturation 'Sticky' Status bit<sup>(1)</sup>  
 1 = Accumulator B is saturated or has been saturated at some time  
 0 = Accumulator B is not saturated
- bit 11      **OAB:** OA || OB Combined Accumulator Overflow Status bit  
 1 = Accumulators A or B have overflowed  
 0 = Neither Accumulators A or B have overflowed
- bit 10      **SAB:** SA || SB Combined Accumulator 'Sticky' Status bit  
 1 = Accumulators A or B are saturated or have been saturated at some time in the past  
 0 = Neither Accumulator A or B are saturated  
 This bit may be read or cleared (not set). *Clearing this bit will clear SA and SB.*
- bit 9        **DA:** DO Loop Active bit  
 1 = DO loop in progress  
 0 = DO loop not in progress
- bit 8        **DC:** MCU ALU Half Carry/Borrow bit  
 1 = A carry-out from the 4th low-order bit (for byte-sized data) or 8th low-order bit (for word-sized data) of the result occurred  
 0 = No carry-out from the 4th low-order bit (for byte-sized data) or 8th low-order bit (for word-sized data) of the result occurred

- Note 1:** This bit can be read or cleared (not set).  
**2:** The IPL<2:0> bits are concatenated with the IPL<3> bit (CORCON<3>) to form the CPU Interrupt Priority Level. The value in parentheses indicates the IPL if IPL<3> = 1. User interrupts are disabled when IPL<3> = 1.  
**3:** The IPL<2:0> Status bits are read-only when NSTDIS = 1 (INTCON1<15>).



## REGISTER 3-1: SR: CPU STATUS REGISTER (CONTINUED)

- bit 7-5      **IPL<2:0>**: CPU Interrupt Priority Level Status bits<sup>(2,3)</sup>
- 111 = CPU Interrupt Priority Level is 7 (15), user interrupts are disabled
  - 110 = CPU Interrupt Priority Level is 6 (14)
  - 101 = CPU Interrupt Priority Level is 5 (13)
  - 100 = CPU Interrupt Priority Level is 4 (12)
  - 011 = CPU Interrupt Priority Level is 3 (11)
  - 010 = CPU Interrupt Priority Level is 2 (10)
  - 001 = CPU Interrupt Priority Level is 1 (9)
  - 000 = CPU Interrupt Priority Level is 0 (8)
- bit 4      **RA**: REPEAT Loop Active bit
- 1 = REPEAT loop in progress
  - 0 = REPEAT loop not in progress
- bit 3      **N**: MCU ALU Negative bit
- 1 = Result was negative
  - 0 = Result was non-negative (zero or positive)
- bit 2      **OV**: MCU ALU Overflow bit
- This bit is used for signed arithmetic (2's complement). It indicates an overflow of a magnitude that causes the sign bit to change state.
- 1 = Overflow occurred for signed arithmetic (in this arithmetic operation)
  - 0 = No overflow occurred
- bit 1      **Z**: MCU ALU Zero bit
- 1 = An operation that affects the Z bit has set it at some time in the past
  - 0 = The most recent operation that affects the Z bit has cleared it (i.e., a non-zero result)
- bit 0      **C**: MCU ALU Carry/Borrow bit
- 1 = A carry-out from the Most Significant bit of the result occurred
  - 0 = No carry-out from the Most Significant bit of the result occurred

- Note 1:** This bit can be read or cleared (not set).
- 2:** The IPL<2:0> bits are concatenated with the IPL<3> bit (CORCON<3>) to form the CPU Interrupt Priority Level. The value in parentheses indicates the IPL if IPL<3> = 1. User interrupts are disabled when IPL<3> = 1.
- 3:** The IPL<2:0> Status bits are read-only when NSTDIS = 1 (INTCON1<15>).

# dsPIC33FJ16(GP/MC)101/102 AND dsPIC33FJ32(GP/MC)101/102/104

## REGISTER 3-2: CORCON: CORE CONTROL REGISTER

|        |     |     |       |                    |         |     |     |       |
|--------|-----|-----|-------|--------------------|---------|-----|-----|-------|
| U-0    | U-0 | U-0 | R/W-0 | R/W-0              | R-0     | R-0 | R-0 |       |
| —      | —   | —   | US    | EDT <sup>(1)</sup> | DL<2:0> |     |     |       |
| bit 15 |     |     |       |                    |         |     |     | bit 8 |

|       |       |       |        |                     |       |       |       |       |
|-------|-------|-------|--------|---------------------|-------|-------|-------|-------|
| R/W-0 | R/W-0 | R/W-1 | R/W-0  | R/C-0               | R/W-0 | R/W-0 | R/W-0 |       |
| SATA  | SATB  | SATDW | ACCSAT | IPL3 <sup>(2)</sup> | PSV   | RND   | IF    |       |
| bit 7 |       |       |        |                     |       |       |       | bit 0 |

|                     |                      |                                    |                  |
|---------------------|----------------------|------------------------------------|------------------|
| <b>Legend:</b>      | C = Clearable bit    |                                    |                  |
| R = Readable bit    | W = Writable bit     | -n = Value at POR                  | '1' = Bit is set |
| 0' = Bit is cleared | 'x' = Bit is unknown | U = Unimplemented bit, read as '0' |                  |

- bit 15-13 **Unimplemented:** Read as '0'
- bit 12 **US:** DSP Multiply Unsigned/Signed Control bit
  - 1 = DSP engine multiplies are unsigned
  - 0 = DSP engine multiplies are signed
- bit 11 **EDT:** Early DO Loop Termination Control bit<sup>(1)</sup>
  - 1 = Terminates executing DO loop at end of current loop iteration
  - 0 = No effect
- bit 10-8 **DL<2:0>:** DO Loop Nesting Level Status bits
  - 111 = 7 DO loops are active
  - .
  - .
  - .
  - 001 = 1 DO loop is active
  - 000 = 0 DO loops is active
- bit 7 **SATA:** ACCA Saturation Enable bit
  - 1 = Accumulator A saturation is enabled
  - 0 = Accumulator A saturation is disabled
- bit 6 **SATB:** ACCB Saturation Enable bit
  - 1 = Accumulator B saturation is enabled
  - 0 = Accumulator B saturation is disabled
- bit 5 **SATDW:** Data Space Write from DSP Engine Saturation Enable bit
  - 1 = Data space write saturation is enabled
  - 0 = Data space write saturation is disabled
- bit 4 **ACCSAT:** Accumulator Saturation Mode Select bit
  - 1 = 9.31 saturation (super saturation)
  - 0 = 1.31 saturation (normal saturation)
- bit 3 **IPL3:** CPU Interrupt Priority Level Status bit 3<sup>(2)</sup>
  - 1 = CPU Interrupt Priority Level is greater than 7
  - 0 = CPU Interrupt Priority Level is 7 or less
- bit 2 **PSV:** Program Space Visibility in Data Space Enable bit
  - 1 = Program space is visible in data space
  - 0 = Program space is not visible in data space
- bit 1 **RND:** Rounding Mode Select bit
  - 1 = Biased (conventional) rounding is enabled
  - 0 = Unbiased (convergent) rounding is enabled
- bit 0 **IF:** Integer or Fractional Multiplier Mode Select bit
  - 1 = Integer mode is enabled for DSP multiply ops
  - 0 = Fractional mode is enabled for DSP multiply ops

**Note 1:** This bit will always read as '0'.

**2:** The IPL3 bit is concatenated with the IPL<2:0> bits (SR<7:5>) to form the CPU Interrupt Priority Level.

## 3.5 Arithmetic Logic Unit (ALU)

The dsPIC33FJ16(GP/MC)101/102 and dsPIC33FJ32(GP/MC)101/102/104 ALU is 16 bits wide and is capable of addition, subtraction, bit shifts, and logic operations. Unless otherwise mentioned, arithmetic operations are 2's complement in nature. Depending on the operation, the ALU can affect the values of the Carry (C), Zero (Z), Negative (N), Overflow (OV), and Digit Carry (DC) Status bits in the SR register. The C and DC Status bits operate as Borrow and Digit Borrow bits, respectively, for subtraction operations.

The ALU can perform 8-bit or 16-bit operations, depending on the mode of the instruction that is used. Data for the ALU operation can come from the W register array or data memory, depending on the addressing mode of the instruction. Likewise, output data from the ALU can be written to the W register array or a data memory location.

Refer to the "16-Bit MCU and DSC Programmer's Reference Manual" (DS70157) for information on the SR bits affected by each instruction.

The dsPIC33FJ16(GP/MC)101/102 and dsPIC33FJ32(GP/MC)101/102/104 CPU incorporates hardware support for both multiplication and division. This includes a dedicated hardware multiplier and support hardware for 16-bit-divisor division.

### 3.5.1 MULTIPLIER

Using the high-speed 17-bit x 17-bit multiplier of the DSP engine, the ALU supports unsigned, signed or mixed-sign operation in several MCU multiplication modes:

- 16-bit x 16-bit signed
- 16-bit x 16-bit unsigned
- 16-bit signed x 5-bit (literal) unsigned
- 16-bit unsigned x 16-bit unsigned
- 16-bit unsigned x 5-bit (literal) unsigned
- 16-bit unsigned x 16-bit signed
- 8-bit unsigned x 8-bit unsigned

### 3.5.2 DIVIDER

The divide block supports 32-bit/16-bit and 16-bit/16-bit signed and unsigned integer divide operations with the following data sizes:

- 32-bit signed/16-bit signed divide
- 32-bit unsigned/16-bit unsigned divide
- 16-bit signed/16-bit signed divide
- 16-bit unsigned/16-bit unsigned divide

The quotient for all divide instructions ends up in W0 and the remainder in W1. The 16-bit signed and unsigned DIV instructions can specify any W register for both the 16-bit divisor (Wn) and any W register (aligned) pair (W(m + 1):Wm) for the 32-bit dividend.

The divide algorithm takes one cycle per bit of divisor, so both 32-bit/16-bit and 16-bit/16-bit instructions take the same number of cycles to execute.

## 3.6 DSP Engine

The DSP engine consists of a high-speed 17-bit x 17-bit multiplier, a barrel shifter and a 40-bit adder/subtractor (with two target accumulators, round and saturation logic).

The dsPIC33FJ16(GP/MC)101/102 and dsPIC33FJ32(GP/MC)101/102/104 is a single-cycle instruction flow architecture; therefore, concurrent operation of the DSP engine with MCU instruction flow is not possible. However, some MCU ALU and DSP engine resources can be used concurrently by the same instruction (e.g., ED, EDAC).

The DSP engine can also perform inherent accumulator-to-accumulator operations that require no additional data. These instructions are ADD, SUB, and NEG.

The DSP engine has options selected through bits in the CPU Core Control register (CORCON), as listed below:

- Fractional or Integer DSP Multiply (IF)
- Signed or Unsigned DSP Multiply (US)
- Conventional or Convergent Rounding (RND)
- Automatic Saturation On/Off for ACCA (SATA)
- Automatic Saturation On/Off for ACCB (SATB)
- Automatic Saturation On/Off for Writes to Data Memory (SATDW)
- Accumulator Saturation mode Selection (ACCSAT)

A block diagram of the DSP engine is shown in [Figure 3-3](#).

**TABLE 3-1: DSP INSTRUCTIONS SUMMARY**

| Instruction | Algebraic Operation | ACC Write Back |
|-------------|---------------------|----------------|
| CLR         | $A = 0$             | Yes            |
| ED          | $A = (x - y)^2$     | No             |
| EDAC        | $A = A + (x - y)^2$ | No             |
| MAC         | $A = A + (x * y)$   | Yes            |
| MAC         | $A = A + x^2$       | No             |
| MOVSAC      | No change in A      | Yes            |
| MPY         | $A = x * y$         | No             |
| MPY         | $A = x^2$           | No             |
| MPY.N       | $A = -x * y$        | No             |
| MSC         | $A = A - x * y$     | Yes            |

FIGURE 3-3: DSP ENGINE BLOCK DIAGRAM



## 3.6.1 MULTIPLIER

The 17-bit x 17-bit multiplier is capable of signed or unsigned operation and can multiplex its output using a scaler to support either 1.31 fractional (Q31) or 32-bit integer results. Unsigned operands are zero-extended into the 17th bit of the multiplier input value. Signed operands are sign-extended into the 17th bit of the multiplier input value. The output of the 17-bit x 17-bit multiplier/scaler is a 33-bit value that is sign-extended to 40 bits. Integer data is inherently represented as a signed 2's complement value, where the Most Significant bit (MSb) is defined as a sign bit. The range of an N-bit 2's complement integer is  $-2^{N-1}$  to  $2^{N-1} - 1$ .

- For a 16-bit integer, the data range is -32768 (0x8000) to 32767 (0x7FFF) including 0.
- For a 32-bit integer, the data range is -2,147,483,648 (0x8000 0000) to 2,147,483,647 (0x7FFF FFFF).

When the multiplier is configured for fractional multiplication, the data is represented as a 2's complement fraction, where the MSb is defined as a sign bit and the radix point is implied to lie just after the sign bit (QX format). The range of an N-bit 2's complement fraction with this implied radix point is  $-1.0$  to  $(1 - 2^{1-N})$ . For a 16-bit fraction, the Q15 data range is  $-1.0$  (0x8000) to  $0.999969482$  (0x7FFF) including 0 and has a precision of  $3.01518 \times 10^{-5}$ . In Fractional mode, the 16 x 16 multiply operation generates a 1.31 product that has a precision of  $4.65661 \times 10^{-10}$ .

The same multiplier is used to support the MCU multiply instructions, which include integer 16-bit signed, unsigned and mixed sign multiply operations.

The `MUL` instruction can be directed to use byte or word-sized operands. Byte operands will direct a 16-bit result, and word operands will direct a 32-bit result to the specified register(s) in the W array.

## 3.6.2 DATA ACCUMULATORS AND ADDER/SUBTRACTER

The data accumulator consists of a 40-bit adder/subtractor with automatic sign extension logic. It can select one of two accumulators (A or B) as its pre-accumulation source and post-accumulation destination. For the `ADD` and `LAC` instructions, the data to be accumulated or loaded can be optionally scaled using the barrel shifter prior to accumulation.

## 3.6.2.1 Adder/Subtractor, Overflow and Saturation

The adder/subtractor is a 40-bit adder with an optional zero input into one side, and either true or complement data into the other input.

- In the case of addition, the Carry/Borrow input is active-high and the other input is true data (not complemented).
- In the case of subtraction, the Carry/Borrow input is active-low and the other input is complemented.

The adder/subtractor generates Overflow Status bits, SA/SB and OA/OB, which are latched and reflected in the STATUS register:

- Overflow from bit 39: this is a catastrophic overflow in which the sign of the accumulator is destroyed.
- Overflow into guard bits 32 through 39: this is a recoverable overflow. This bit is set whenever all the guard bits are not identical to each other.

The adder has an additional saturation block that controls accumulator data saturation, if selected. It uses the result of the adder, the Overflow Status bits described previously, and the `SAT<A:B>` (`CORCON<7:6>`) and `ACCSAT` (`CORCON<4>`) mode control bits to determine when and to what value, to saturate.

Six STATUS register bits support saturation and overflow:

- OA: ACCA overflowed into guard bits
- OB: ACCB overflowed into guard bits
- SA: ACCA saturated (bit 31 overflow and saturation)  
*or*  
ACCA overflowed into guard bits and saturated (bit 39 overflow and saturation)
- SB: ACCB saturated (bit 31 overflow and saturation)  
*or*  
ACCB overflowed into guard bits and saturated (bit 39 overflow and saturation)
- OAB: Logical OR of OA and OB
- SAB: Logical OR of SA and SB

The OA and OB bits are modified each time data passes through the adder/subtractor. When set, they indicate that the most recent operation has overflowed into the accumulator guard bits (bits 32 through 39). The OA and OB bits can also optionally generate an arithmetic warning trap when OA and OB are set and the corresponding Overflow Trap Flag Enable bits (`OVATE`, `OVBTE`) in the `INTCON1` register are set (refer to [Section 7.0 "Interrupt Controller"](#)). This allows the user application to take immediate action; for example, to correct system gain.

The SA and SB bits are modified each time data passes through the adder/subtractor, but can only be cleared by the user application. When set, they indicate that the accumulator has overflowed its maximum range (bit 31 for 32-bit saturation or bit 39 for 40-bit saturation) and will be saturated (if saturation is enabled). When saturation is not enabled, SA and SB default to bit 39 overflow, and therefore, indicate that a catastrophic overflow has occurred. If the COVTE bit in the INTCON1 register is set, the SA and SB bits will generate an arithmetic warning trap when saturation is disabled.

The Overflow and Saturation Status bits can optionally be viewed in the STATUS Register (SR) as the logical OR of OA and OB (in bit OAB) and the logical OR of SA and SB (in bit SAB). Programmers can check one bit in the STATUS register to determine whether either accumulator has overflowed, or one bit to determine whether either accumulator has saturated. This is useful for complex number arithmetic, which typically uses both accumulators.

The device supports three Saturation and Overflow modes:

- **Bit 39 Overflow and Saturation:**  
When bit 39 overflow and saturation occurs, the saturation logic loads the maximally positive 9.31 value (0x7FFFFFFFFF) or maximally negative 9.31 value (0x8000000000) into the target accumulator. The SA or SB bit is set and remains set until cleared by the user application. This condition is referred to as 'super saturation' and provides protection against erroneous data or unexpected algorithm problems (such as gain calculations).
- **Bit 31 Overflow and Saturation:**  
When bit 31 overflow and saturation occurs, the saturation logic then loads the maximally positive 1.31 value (0x007FFFFFFF) or maximally negative 1.31 value (0x0080000000) into the target accumulator. The SA or SB bit is set and remains set until cleared by the user application. When this Saturation mode is in effect, the guard bits are not used, so the OA, OB or OAB bits are never set.
- **Bit 39 Catastrophic Overflow:**  
The bit 39 Overflow Status bit from the adder is used to set the SA or SB bit, which remains set until cleared by the user application. No saturation operation is performed, and the accumulator is allowed to overflow, destroying its sign. If the COVTE bit in the INTCON1 register is set, a catastrophic overflow can initiate a trap exception.

## 3.6.3 ACCUMULATOR 'WRITE BACK'

The MAC class of instructions (with the exception of MPY, MPY.N, ED, and EDAC) can optionally write a rounded version of the high word (bits 31 through 16) of the accumulator which is not targeted by the instruction into data space memory. The write is performed across the X bus into combined X and Y address space. The following addressing modes are supported:

- **W13, Register Direct:**  
The rounded contents of the non-target accumulator are written into W13 as a 1.15 fraction.
- **[W13] + = 2, Register Indirect with Post-Increment:**  
The rounded contents of the non-target accumulator are written into the address pointed to by W13 as a 1.15 fraction. W13 is then incremented by 2 (for a word write).

### 3.6.3.1 Round Logic

The round logic is a combinational block that performs a conventional (biased) or convergent (unbiased) round function during an accumulator write (store). The Round mode is determined by the state of the RND bit in the CORCON register. It generates a 16-bit, 1.15 data value that is passed to the data space write saturation logic. If rounding is not indicated by the instruction, a truncated 1.15 data value is stored and the least significant word (lsw) is simply discarded.

Conventional rounding will zero-extend bit 15 of the accumulator and will add it to the ACCxH word (bits 16 through 31 of the accumulator).

- If the ACCxL word (bits 0 through 15 of the accumulator) is between 0x8000 and 0xFFFF (0x8000 included), ACCxH is incremented.
- If ACCxL is between 0x0000 and 0x7FFF, ACCxH is left unchanged.

A consequence of this algorithm is that over a succession of random rounding operations, the value tends to be biased slightly positive.

Convergent (or unbiased) rounding operates in the same manner as conventional rounding, except when ACCxL equals 0x8000. In this case, the Least Significant bit (LSb), bit 16 of the accumulator, of ACCxH is examined:

- If it is '1', ACCxH is incremented.
- If it is '0', ACCxH is not modified.

Assuming that bit 16 is effectively random in nature, this scheme removes any rounding bias that may accumulate.

The `SAC` and `SAC.R` instructions store either a truncated (`SAC`), or rounded (`SAC.R`) version of the contents of the target accumulator to data memory via the X bus, subject to data saturation (see [Section 3.6.3.2 “Data Space Write Saturation”](#)). For the `MAC` class of instructions, the accumulator write-back operation functions in the same manner, addressing combined MCU (X and Y) data space through the X bus. For this class of instructions, the data is always subject to rounding.

### 3.6.3.2 Data Space Write Saturation

In addition to adder/subtractor saturation, writes to data space can also be saturated, but without affecting the contents of the source accumulator. The data space write saturation logic block accepts a 16-bit, 1.15 fractional value from the round logic block as its input, together with overflow status from the original source (accumulator) and the 16-bit round adder. These inputs are combined and used to select the appropriate 1.15 fractional value as output to write to data space memory.

If the `SATDW` bit in the `CORCON` register is set, data (after rounding or truncation) is tested for overflow and adjusted accordingly:

- For input data greater than `0x007FFF`, data written to memory is forced to the maximum positive 1.15 value, `0x7FFF`.
- For input data less than `0xFF8000`, data written to memory is forced to the maximum negative 1.15 value, `0x8000`.

The MSb of the source (bit 39) is used to determine the sign of the operand being tested.

If the `SATDW` bit in the `CORCON` register is not set, the input data is always passed through unmodified under all conditions.

### 3.6.4 BARREL SHIFTER

The barrel shifter can perform up to 16-bit arithmetic or logic right shifts, or up to 16-bit left shifts, in a single cycle. The source can be either of the two DSP accumulators or the X bus (to support multi-bit shifts of register or memory data).

The shifter requires a signed binary value to determine both the magnitude (number of bits) and direction of the shift operation. A positive value shifts the operand right. A negative value shifts the operand left. A value of '0' does not modify the operand.

The barrel shifter is 40 bits wide, thereby obtaining a 40-bit result for DSP shift operations and a 16-bit result for MCU shift operations. Data from the X bus is presented to the barrel shifter between Bit Positions 16 and 31 for right shifts, and between Bit Positions 0 and 16 for left shifts.

# **dsPIC33FJ16(GP/MC)101/102 AND dsPIC33FJ32(GP/MC)101/102/104**

---

NOTES:



## 4.0 MEMORY ORGANIZATION

**Note:** This data sheet summarizes the features of the dsPIC33FJ16(GP/MC)101/102 and dsPIC33FJ32(GP/MC)101/102/104 family devices. However, it is not intended to be a comprehensive reference source. To complement the information in this data sheet, refer to **Section 3. “Data Memory”** (DS70202) and **Section 4. “Program Memory”** (DS70203) in the “dsPIC33F/PIC24H Family Reference Manual”, which are available from the Microchip web site ([www.microchip.com](http://www.microchip.com)).

The device architecture features separate program and data memory spaces and buses. This architecture also allows the direct access of program memory from the data space during code execution.

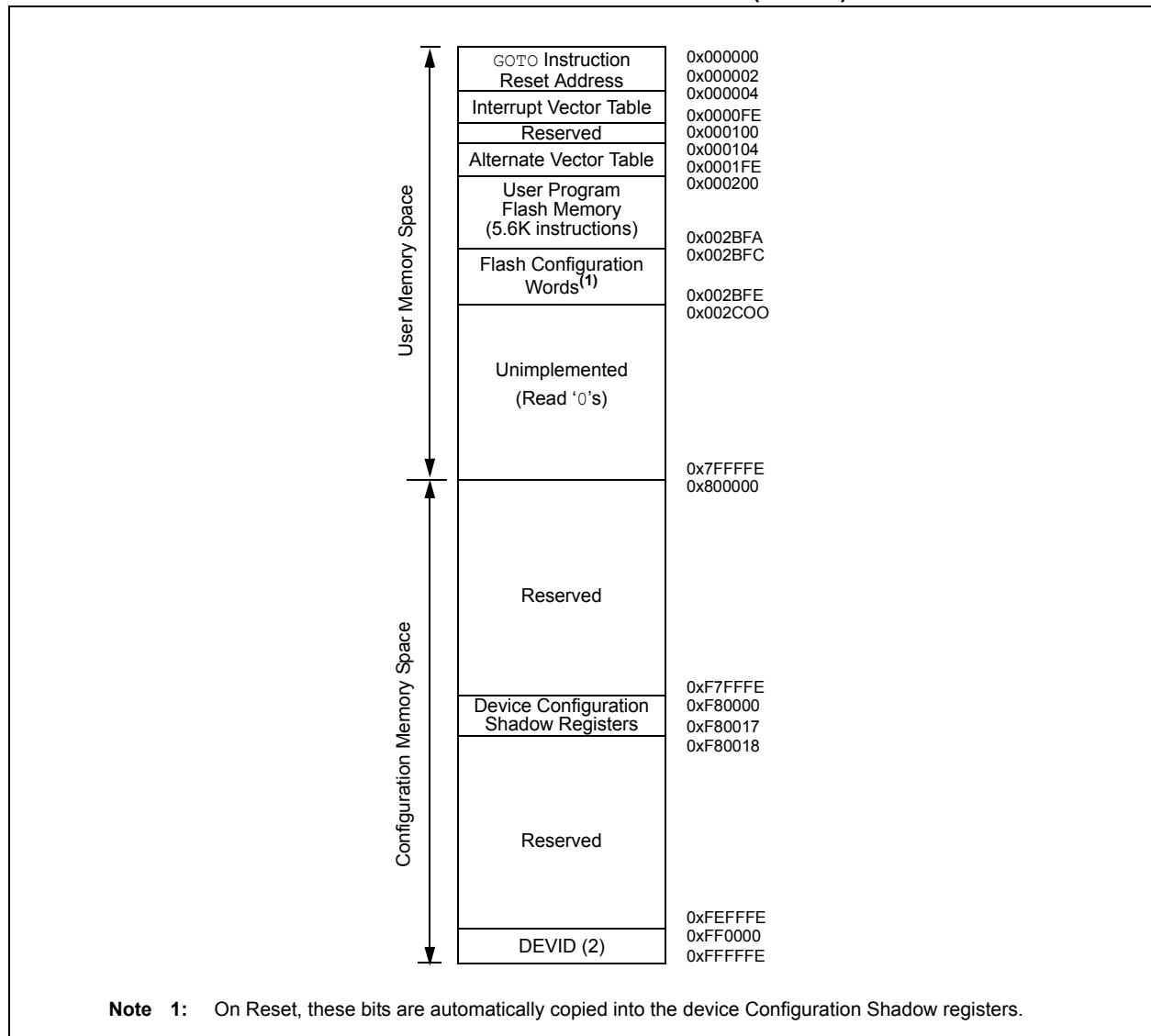
## 4.1 Program Address Space

The program address memory space of the dsPIC33FJ16(GP/MC)101/102 and dsPIC33FJ32(GP/MC)101/102/104 devices is 4M instructions. The space is addressable by a 24-bit value derived either from the 23-bit Program Counter (PC) during program execution, or from table operation or data space remapping as described in **Section 4.6 “Interfacing Program and Data Memory Spaces”**.

User application access to the program memory space is restricted to the lower half of the address range (0x000000 to 0x7FFFFFFF). The exception is the use of TBLRD/TBLWT operations, which use TBLPAG<7> to permit access to the Configuration bits and Device ID sections of the configuration memory space.

The memory maps for the dsPIC33FJ16(GP/MC)101/102 and dsPIC33FJ32(GP/MC)101/102/104 family of devices re shown in **Figure 4-1** and **Figure 4-2**.

**FIGURE 4-1: PROGRAM MEMORY MAP FOR dsPIC33FJ16(GP/MC)101/102 DEVICES**



**FIGURE 4-2: PROGRAM MEMORY MAP FOR dsPIC33FJ32(GP/MC)101/102/104 DEVICES**



## 4.1.1 PROGRAM MEMORY ORGANIZATION

The program memory space is organized in word-addressable blocks. Although it is treated as 24 bits wide, it is more appropriate to think of each address of the program memory as a lower and upper word, with the upper byte of the upper word being unimplemented. The lower word always has an even address, while the upper word has an odd address (Figure 4-3).

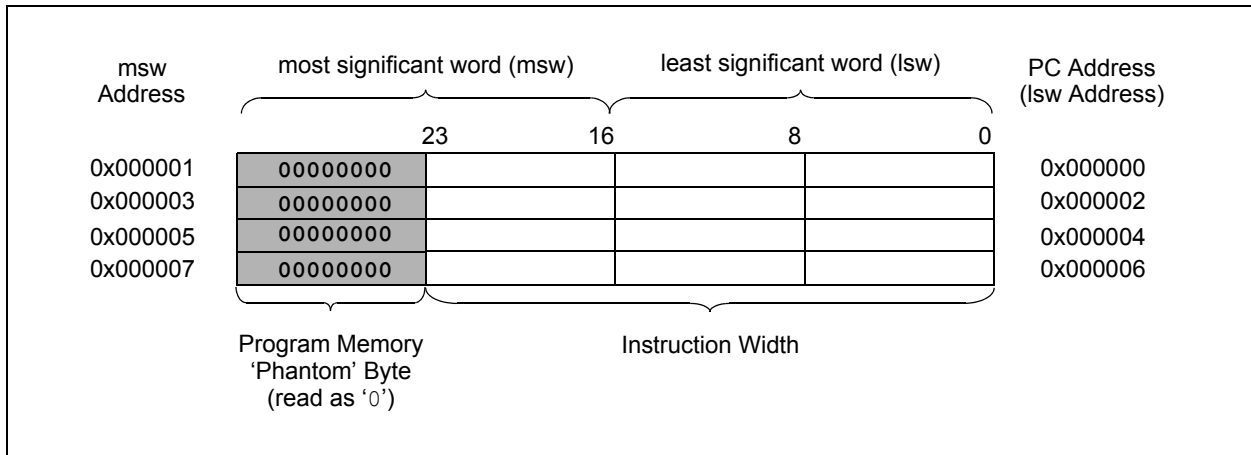
Program memory addresses are always word-aligned on the lower word, and addresses are incremented or decremented by two during code execution. This arrangement provides compatibility with data memory space addressing and makes data in the program memory space accessible.

## 4.1.2 INTERRUPT AND TRAP VECTORS

All dsPIC33FJ16(GP/MC)101/102 and dsPIC33FJ32(GP/MC)101/102/104 devices reserve the addresses between 0x00000 and 0x000200 for hard-coded program execution vectors. A hardware Reset vector is provided to redirect code execution from the default value of the PC on device Reset to the actual start of code. A GOTO instruction is programmed by the user application at 0x000000, with the actual address for the start of code at 0x000002.

dsPIC33FJ16(GP/MC)101/102 and dsPIC33FJ32(GP/MC)101/102/104 devices also have two Interrupt Vector Tables (IVTs), located from 0x000004 to 0x0000FF and 0x000100 to 0x0001FF. These vector tables allow each of the device interrupt sources to be handled by separate Interrupt Service Routines (ISRs). A more detailed discussion of the Interrupt Vector Tables is provided in Section 7.1 "Interrupt Vector Table".

**FIGURE 4-3: PROGRAM MEMORY ORGANIZATION**



## 4.2 Data Address Space

The dsPIC33FJ16(GP/MC)101/102 and dsPIC33FJ32(GP/MC)101/102/104 CPU has a separate 16-bit-wide data memory space. The data space is accessed using separate Address Generation Units (AGUs) for read and write operations. The data memory maps is shown in [Figure 4-4](#).

All Effective Addresses (EAs) in the data memory space are 16 bits wide and point to bytes within the data space. This arrangement gives a data space address range of 64 Kbytes or 32K words. The lower half of the data memory space (that is, when  $EA<15> = 0$ ) is used for implemented memory addresses, while the upper half ( $EA<15> = 1$ ) is reserved for the Program Space Visibility area (see [Section 4.6.3 “Reading Data from Program Memory Using Program Space Visibility”](#)).

Microchip dsPIC33FJ16(GP/MC)101/102 and dsPIC33FJ32(GP/MC)101/102/104 devices implement up to 2 Kbytes of data memory. Should an EA point to a location outside of this area, an all-zero word or byte will be returned.

### 4.2.1 DATA SPACE WIDTH

The data memory space is organized in byte-addressable, 16-bit wide blocks. Data is aligned in data memory and registers as 16-bit words, but all data space EAs resolve to bytes. The Least Significant Bytes (LSBs) of each word have even addresses, while the Most Significant Bytes (MSBs) have odd addresses.

### 4.2.2 DATA MEMORY ORGANIZATION AND ALIGNMENT

To maintain backward compatibility with PIC<sup>®</sup> MCU devices and improve data space memory usage efficiency, the dsPIC33FJ16(GP/MC)101/102 and dsPIC33FJ32(GP/MC)101/102/104 instruction set supports both word and byte operations. As a consequence of byte accessibility, all Effective Address calculations are internally scaled to step through word-aligned memory. For example, the core recognizes that Post-Modified Register Indirect Addressing mode [Ws++] will result in a value of Ws + 1 for byte operations and Ws + 2 for word operations.

Data byte reads will read the complete word that contains the byte, using the LSB of any EA to determine which byte to select. The selected byte is placed onto the LSB of the data path. That is, data memory and registers are organized as two parallel byte-wide entities with shared (word) address decoding but separate write lines. Data byte writes only write to the corresponding side of the array or register that matches the byte address.

All word accesses must be aligned to an even address. Misaligned word data fetches are not supported, so care must be taken when mixing byte and word operations, or translating from 8-bit MCU code. If a misaligned read or write is attempted, an address error trap is generated. If the error occurred on a read, the instruction in progress is completed. If the error occurred on a write, the instruction is executed but the write does not occur. In either case, a trap is then executed, allowing the system and/or user application to examine the machine state prior to execution of the address Fault.

All byte loads into any W register are loaded into the LSB. The MSB is not modified.

A sign-extend instruction (SE) is provided to allow user applications to translate 8-bit signed data to 16-bit signed values. Alternately, for 16-bit unsigned data, user applications can clear the MSB of any W register by executing a Zero-Extend (ZE) instruction on the appropriate address.

### 4.2.3 SFR SPACE

The first 2 Kbytes of the Near Data Space, from 0x0000 to 0x07FF, is primarily occupied by Special Function Registers (SFRs). These are used by the dsPIC33FJ16(GP/MC)101/102 and dsPIC33FJ32(GP/MC)101/102/104 core and peripheral modules for controlling the operation of the device.

SFRs are distributed among the modules that they control, and are generally grouped together by module. Much of the SFR space contains unused addresses; these are read as '0'.

|   |
|---|
| <b>Note:</b> The actual set of peripheral features and interrupts varies by the device. Refer to the corresponding device tables and pinout diagrams for device-specific information. |
|---|

### 4.2.4 NEAR DATA SPACE

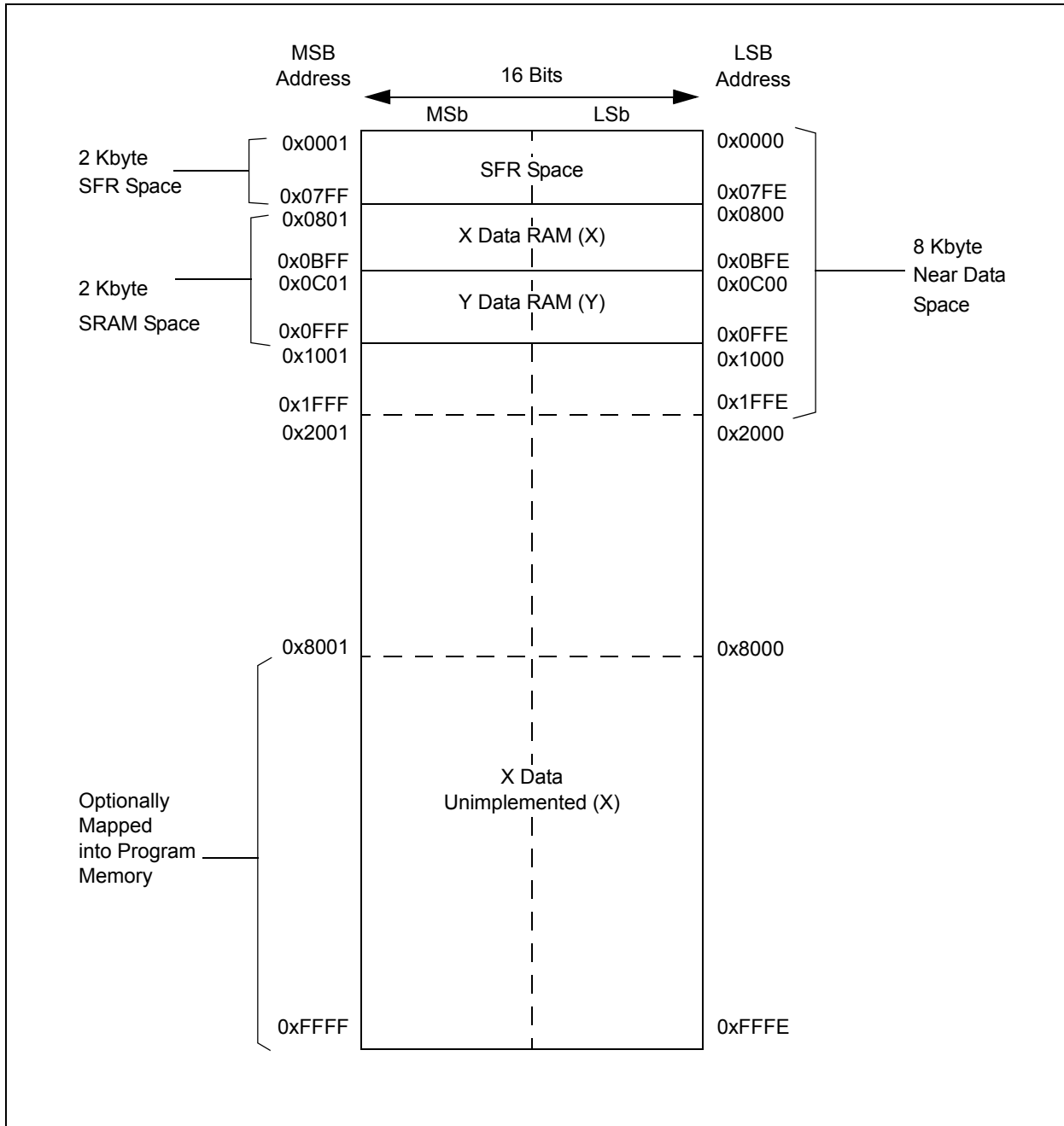
The 8-Kbyte area between 0x0000 and 0x1FFF is referred to as the near data space. Locations in this space are directly addressable via a 13-bit absolute address field within all memory direct instructions. Additionally, the whole data space is addressable using MOV class of instructions, which support Memory Direct Addressing mode with a 16-bit address field, or by using Indirect Addressing mode with a working register as an Address Pointer.

**FIGURE 4-4: DATA MEMORY MAP FOR dsPIC33FJ16(GP/MC)101/102 DEVICES WITH 1-KBYTE RAM**



# dsPIC33FJ16(GP/MC)101/102 AND dsPIC33FJ32(GP/MC)101/102/104

**FIGURE 4-5: DATA MEMORY MAP FOR dsPIC33FJ32(GP/MC)101/102/104 DEVICES WITH 2-KBYTE RAM**



## 4.2.5 X AND Y DATA SPACES

The core has two data spaces, X and Y. These data spaces can be considered either separate (for some DSP instructions), or as one unified linear address range (for MCU instructions). The data spaces are accessed using two Address Generation Units (AGUs) and separate data paths. This feature allows certain instructions to concurrently fetch two words from RAM, thereby enabling efficient execution of DSP algorithms such as Finite Impulse Response (FIR) filtering and Fast Fourier transform (FFT).

The X data space is used by all instructions and supports all addressing modes. X data space has separate read and write data buses. The X read data bus is the read data path for all instructions that view data space as combined X and Y address space. It is also the X data prefetch path for the dual operand DSP instructions (MAC class).

The Y data space is used in concert with the X data space by the MAC class of instructions (CLR, ED, EDAC, MAC, MOV SAC, MPY, MPY.N, and MSC) to provide two concurrent data read paths.

Both the X and Y data spaces support Modulo Addressing mode for all instructions, subject to addressing mode restrictions. Bit-Reversed Addressing mode is only supported for writes to X data space.

All data memory writes, including in DSP instructions, view data space as combined X and Y address space. The boundary between the X and Y data spaces is device-dependent and is not user-programmable.

All Effective Addresses are 16 bits wide and point to bytes within the data space. Therefore, the data space address range is 64 Kbytes, or 32K words, although the implemented memory locations vary by device.

**TABLE 4-1: CPU CORE REGISTER MAP**

| SFR Name | SFR Addr | Bit 15                            | Bit 14 | Bit 13 | Bit 12 | Bit 11   | Bit 10  | Bit 9 | Bit 8 | Bit 7   | Bit 6 | Bit 5         | Bit 4  | Bit 3    | Bit 2 | Bit 1 | Bit 0 | All Resets |      |
|----------|----------|-----------------------------------|--------|--------|--------|----------|---------|-------|-------|---|-------|---------------|--------|----------|-------|-------|-------|------------|------|
| WREG0    | 0000     | Working Register 0                |        |        |        |          |         |       |       |   |       |               |        |          |       |       |       | xxxx       |      |
| WREG1    | 0002     | Working Register 1                |        |        |        |          |         |       |       |   |       |               |        |          |       |       |       | xxxx       |      |
| WREG2    | 0004     | Working Register 2                |        |        |        |          |         |       |       |   |       |               |        |          |       |       |       | xxxx       |      |
| WREG3    | 0006     | Working Register 3                |        |        |        |          |         |       |       |   |       |               |        |          |       |       |       | xxxx       |      |
| WREG4    | 0008     | Working Register 4                |        |        |        |          |         |       |       |   |       |               |        |          |       |       |       | xxxx       |      |
| WREG5    | 000A     | Working Register 5                |        |        |        |          |         |       |       |   |       |               |        |          |       |       |       | xxxx       |      |
| WREG6    | 000C     | Working Register 6                |        |        |        |          |         |       |       |   |       |               |        |          |       |       |       | xxxx       |      |
| WREG7    | 000E     | Working Register 7                |        |        |        |          |         |       |       |   |       |               |        |          |       |       |       | xxxx       |      |
| WREG8    | 0010     | Working Register 8                |        |        |        |          |         |       |       |   |       |               |        |          |       |       |       | xxxx       |      |
| WREG9    | 0012     | Working Register 9                |        |        |        |          |         |       |       |   |       |               |        |          |       |       |       | xxxx       |      |
| WREG10   | 0014     | Working Register 10               |        |        |        |          |         |       |       |   |       |               |        |          |       |       |       | xxxx       |      |
| WREG11   | 0016     | Working Register 11               |        |        |        |          |         |       |       |   |       |               |        |          |       |       |       | xxxx       |      |
| WREG12   | 0018     | Working Register 12               |        |        |        |          |         |       |       |   |       |               |        |          |       |       |       | xxxx       |      |
| WREG13   | 001A     | Working Register 13               |        |        |        |          |         |       |       |   |       |               |        |          |       |       |       | xxxx       |      |
| WREG14   | 001C     | Working Register 14               |        |        |        |          |         |       |       |   |       |               |        |          |       |       |       | xxxx       |      |
| WREG15   | 001E     | Working Register 15               |        |        |        |          |         |       |       |   |       |               |        |          |       |       |       | 0800       |      |
| SPLIM    | 0020     | Stack Pointer Limit Register      |        |        |        |          |         |       |       |   |       |               |        |          |       |       |       | xxxx       |      |
| ACCAL    | 0022     | Accumulator A Low Word Register   |        |        |        |          |         |       |       |   |       |               |        |          |       |       |       | xxxx       |      |
| ACCAH    | 0024     | Accumulator A High Word Register  |        |        |        |          |         |       |       |   |       |               |        |          |       |       |       | xxxx       |      |
| ACCAU    | 0026     | Accumulator A Upper Word Register |        |        |        |          |         |       |       |   |       |               |        |          |       |       |       | xxxx       |      |
| ACCBL    | 0028     | Accumulator B Low Word Register   |        |        |        |          |         |       |       |   |       |               |        |          |       |       |       | xxxx       |      |
| ACCBH    | 002A     | Accumulator B High Word Register  |        |        |        |          |         |       |       |   |       |               |        |          |       |       |       | xxxx       |      |
| ACCBU    | 002C     | Accumulator B Upper Word Register |        |        |        |          |         |       |       |   |       |               |        |          |       |       |       | xxxx       |      |
| PCL      | 002E     | Program Counter Low Word Register |        |        |        |          |         |       |       |   |       |               |        |          |       |       |       | 0000       |      |
| PCH      | 0030     | —                                 | —      | —      | —      | —        | —       | —     | —     | Program Counter High Byte Register                      |       |               |        |          |       |       |       | 0000       |      |
| TBLPAG   | 0032     | —                                 | —      | —      | —      | —        | —       | —     | —     | Table Page Address Pointer Register                     |       |               |        |          |       |       |       | 0000       |      |
| PSVPAG   | 0034     | —                                 | —      | —      | —      | —        | —       | —     | —     | Program Memory Visibility Page Address Pointer Register |       |               |        |          |       |       |       | 0000       |      |
| RCOUNT   | 0036     | Repeat Loop Counter Register      |        |        |        |          |         |       |       |   |       |               |        |          |       |       |       | xxxx       |      |
| DCOUNT   | 0038     | DCOUNT<15:0>                      |        |        |        |          |         |       |       |   |       |               |        |          |       |       |       | xxxx       |      |
| DOSTARTL | 003A     | DOSTARTL<15:1>                    |        |        |        |          |         |       |       |   |       |               |        |          |       |       |       | 0          | xxxx |
| DOSTARTH | 003C     | —                                 | —      | —      | —      | —        | —       | —     | —     | —   | —     | DOSTARTH<5:0> |        |          |       |       | 00xx  |            |      |
| DOENDL   | 003E     | DOENDL<15:1>                      |        |        |        |          |         |       |       |   |       |               |        |          |       |       |       | 0          | xxxx |
| DOENDH   | 0040     | —                                 | —      | —      | —      | —        | —       | —     | —     | DOENDH  |       |               |        |          |       |       |       | 00xx       |      |
| SR       | 0042     | OA                                | OB     | SA     | SB     | OAB      | SAB     | DA    | DC    | IPL2  | IPL1  | IPL0          | RA     | N        | OV    | Z     | C     | 0000       |      |
| CORCON   | 0044     | —                                 | —      | —      | US     | EDT      | DL<2:0> |       |       | SATA  | SATB  | SATDW         | ACCSAT | IPL3     | PSV   | RND   | IF    | 0020       |      |
| MODCON   | 0046     | XMODEN                            | YMODEN | —      | —      | BWM<3:0> |         |       |       | YWM<3:0>  |       |               |        | XWM<3:0> |       |       |       | 0000       |      |

**Legend:** x = unknown value on Reset, — = unimplemented, read as '0'. Reset values are shown in hexadecimal.



**TABLE 4-1: CPU CORE REGISTER MAP (CONTINUED)**

| SFR Name | SFR Addr | Bit 15   | Bit 14   | Bit 13                              | Bit 12 | Bit 11 | Bit 10 | Bit 9 | Bit 8 | Bit 7 | Bit 6 | Bit 5 | Bit 4 | Bit 3 | Bit 2 | Bit 1 | Bit 0 | All Resets |      |
|----------|----------|----------|----------|-------------------------------------|--------|--------|--------|-------|-------|-------|-------|-------|-------|-------|-------|-------|-------|------------|------|
| XMODSRT  | 0048     | XS<15:1> |          |                                     |        |        |        |       |       |       |       |       |       |       |       |       | 0     | xxxx       |      |
| XMODEND  | 004A     | XE<15:1> |          |                                     |        |        |        |       |       |       |       |       |       |       |       |       | 1     | xxxx       |      |
| YMODSRT  | 004C     | YS<15:1> |          |                                     |        |        |        |       |       |       |       |       |       |       |       |       | 0     | xxxx       |      |
| YMODEND  | 004E     | YE<15:1> |          |                                     |        |        |        |       |       |       |       |       |       |       |       |       | 1     | xxxx       |      |
| XBREV    | 0050     | BREN     | XB<14:0> |                                     |        |        |        |       |       |       |       |       |       |       |       |       |       |            | xxxx |
| DISICNT  | 0052     | —        | —        | Disable Interrupts Counter Register |        |        |        |       |       |       |       |       |       |       |       |       |       |            | 0000 |

**Legend:** x = unknown value on Reset, — = unimplemented, read as '0'. Reset values are shown in hexadecimal.

**TABLE 4-2: CHANGE NOTIFICATION REGISTER MAP FOR dsPIC33FJXXGP101 DEVICES**

| SFR Name | SFR Addr | Bit 15 | Bit 14  | Bit 13  | Bit 12  | Bit 11  | Bit 10 | Bit 9 | Bit 8 | Bit 7   | Bit 6   | Bit 5   | Bit 4  | Bit 3  | Bit 2  | Bit 1  | Bit 0  | All Resets |
|----------|----------|--------|---------|---------|---------|---------|--------|-------|-------|---------|---------|---------|--------|--------|--------|--------|--------|------------|
| CNEN1    | 0060     | —      | —       | —       | CN12IE  | CN11IE  | —      | —     | —     | —       | —       | CN5IE   | CN4IE  | CN3IE  | CN2IE  | CN1IE  | CN0IE  | 0000       |
| CNEN2    | 0062     | —      | CN30IE  | CN29IE  | —       | —       | —      | —     | —     | CN23IE  | CN22IE  | CN21IE  | —      | —      | —      | —      | —      | 0000       |
| CNPU1    | 0068     | —      | —       | —       | CN12PUE | CN11PUE | —      | —     | —     | —       | —       | CN5PUE  | CN4PUE | CN3PUE | CN2PUE | CN1PUE | CN0PUE | 0000       |
| CNPU2    | 006A     | —      | CN30PUE | CN29PUE | —       | —       | —      | —     | —     | CN23PUE | CN22PUE | CN21PUE | —      | —      | —      | —      | —      | 0000       |

**Legend:** x = unknown value on Reset, — = unimplemented, read as '0'. Reset values are shown in hexadecimal.

**TABLE 4-3: CHANGE NOTIFICATION REGISTER MAP FOR dsPIC33FJXXMC101 DEVICES**

| SFR Name | SFR Addr | Bit 15 | Bit 14  | Bit 13  | Bit 12  | Bit 11  | Bit 10 | Bit 9 | Bit 8 | Bit 7   | Bit 6   | Bit 5   | Bit 4  | Bit 3  | Bit 2  | Bit 1  | Bit 0  | All Resets |
|----------|----------|--------|---------|---------|---------|---------|--------|-------|-------|---------|---------|---------|--------|--------|--------|--------|--------|------------|
| CNEN1    | 0060     | —      | CN14IE  | CN13IE  | CN12IE  | CN11IE  | —      | —     | —     | —       | —       | CN5IE   | CN4IE  | CN3IE  | CN2IE  | CN1IE  | CN0IE  | 0000       |
| CNEN2    | 0062     | —      | CN30IE  | CN29IE  | —       | —       | —      | —     | —     | CN23IE  | CN22IE  | CN21IE  | —      | —      | —      | —      | —      | 0000       |
| CNPU1    | 0068     | —      | CN14PUE | CN13PUE | CN12PUE | CN11PUE | —      | —     | —     | —       | —       | CN5PUE  | CN4PUE | CN3PUE | CN2PUE | CN1PUE | CN0PUE | 0000       |
| CNPU2    | 006A     | —      | CN30PUE | CN29PUE | —       | —       | —      | —     | —     | CN23PUE | CN22PUE | CN21PUE | —      | —      | —      | —      | —      | 0000       |

**Legend:** x = unknown value on Reset, — = unimplemented, read as '0'. Reset values are shown in hexadecimal.

**TABLE 4-4: CHANGE NOTIFICATION REGISTER MAP FOR dsPIC33FJXX(GP/MC)102 DEVICES**

| SFR Name | SFR Addr | Bit 15  | Bit 14  | Bit 13  | Bit 12  | Bit 11  | Bit 10 | Bit 9 | Bit 8   | Bit 7   | Bit 6   | Bit 5   | Bit 4  | Bit 3  | Bit 2  | Bit 1  | Bit 0   | All Resets |
|----------|----------|---------|---------|---------|---------|---------|--------|-------|---------|---------|---------|---------|--------|--------|--------|--------|---------|------------|
| CNEN1    | 0060     | CN15IE  | CN14IE  | CN13IE  | CN12IE  | CN11IE  | —      | —     | —       | CN7IE   | CN6IE   | CN5IE   | CN4IE  | CN3IE  | CN2IE  | CN1IE  | CN0IE   | 0000       |
| CNEN2    | 0062     | —       | CN30IE  | CN29IE  | —       | CN27IE  | —      | —     | CN24IE  | CN23IE  | CN22IE  | CN21IE  | —      | —      | —      | —      | CN16IE  | 0000       |
| CNPU1    | 0068     | CN15PUE | CN14PUE | CN13PUE | CN12PUE | CN11PUE | —      | —     | —       | CN7PUE  | CN6PUE  | CN5PUE  | CN4PUE | CN3PUE | CN2PUE | CN1PUE | CN0PUE  | 0000       |
| CNPU2    | 006A     | —       | CN30PUE | CN29PUE | —       | CN27PUE | —      | —     | CN24PUE | CN23PUE | CN22PUE | CN21PUE | —      | —      | —      | —      | CN16PUE | 0000       |

**Legend:** x = unknown value on Reset, — = unimplemented, read as '0'. Reset values are shown in hexadecimal.

**TABLE 4-5: CHANGE NOTIFICATION REGISTER MAP FOR dsPIC33FJ32(GP/MC)104 DEVICES**

| SFR Name | SFR Addr | Bit 15  | Bit 14  | Bit 13  | Bit 12  | Bit 11  | Bit 10  | Bit 9   | Bit 8   | Bit 7   | Bit 6   | Bit 5   | Bit 4   | Bit 3   | Bit 2   | Bit 1   | Bit 0   | All Resets |
|----------|----------|---------|---------|---------|---------|---------|---------|---------|---------|---------|---------|---------|---------|---------|---------|---------|---------|------------|
| CNEN1    | 0060     | CN15IE  | CN13IE  | CN13IE  | CN12IE  | CN11IE  | CN10IE  | CN9IE   | CN8IE   | CN7IE   | CN6IE   | CN5IE   | CN4IE   | CN3IE   | CN2IE   | CN1IE   | CN0IE   | 0000       |
| CNEN2    | 0062     | —       | CN30IE  | CN29IE  | CN28IE  | CN27IE  | CN26IE  | CN25IE  | CN24IE  | CN23IE  | CN22IE  | CN21IE  | CN20IE  | CN19IE  | CN18IE  | CN17IE  | CN16IE  | 0000       |
| CNPU1    | 0068     | CN15PUE | CN13PUE | CN13PUE | CN12PUE | CN11PUE | CN10PUE | CN9PUE  | CN8PUE  | CN7PUE  | CN6PUE  | CN5PUE  | CN4PUE  | CN3PUE  | CN2PUE  | CN1PUE  | CN0PUE  | 0000       |
| CNPU2    | 006A     | —       | CN30PUE | CN29PUE | CN28PUE | CN27PUE | CN26PUE | CN25PUE | CN24PUE | CN23PUE | CN22PUE | CN21PUE | CN20PUE | CN19PUE | CN18PUE | CN17PUE | CN16PUE | 0000       |

**Legend:** x = unknown value on Reset, — = unimplemented, read as '0'. Reset values are shown in hexadecimal.

**TABLE 4-6: INTERRUPT CONTROLLER REGISTER MAP**

| SFR Name | SFR Addr | Bit 15                 | Bit 14 | Bit 13                      | Bit 12              | Bit 11              | Bit 10   | Bit 9                 | Bit 8 | Bit 7    | Bit 6       | Bit 5                      | Bit 4   | Bit 3   | Bit 2  | Bit 1                       | Bit 0                  | All Resets |      |
|----------|----------|------------------------|--------|-----------------------------|---------------------|---------------------|----------|-----------------------|-------|----------|-------------|----------------------------|---------|---------|--------|-----------------------------|------------------------|------------|------|
| INTCON1  | 0080     | NSTDIS                 | OVAERR | OVBERR                      | COVAERR             | COVBERR             | OVATE    | OVBTE                 | COVTE | SFTACERR | DIV0ERR     | —                          | MATHERR | ADDRERR | STKERR | OSCFAIL                     | —                      | 0000       |      |
| INTCON2  | 0082     | ALTIVT                 | DISI   | —                           | —                   | —                   | —        | —                     | —     | —        | —           | —                          | —       | —       | INT2EP | INT1EP                      | INT0EP                 | 0000       |      |
| IFS0     | 0084     | —                      | —      | AD1IF                       | U1TXIF              | U1RXIF              | SPI1IF   | SPI1EIF               | T3IF  | T2IF     | OC2IF       | IC2IF                      | —       | T1IF    | OC1IF  | IC1IF                       | INT0IF                 | 0000       |      |
| IFS1     | 0086     | —                      | —      | INT2IF                      | T5IF <sup>(2)</sup> | T4IF <sup>(2)</sup> | —        | —                     | —     | —        | —           | —                          | INT1IF  | CNIF    | CMIF   | MI2C1IF                     | SI2C1IF                | 0000       |      |
| IFS2     | 0088     | —                      | —      | —                           | —                   | —                   | —        | —                     | —     | —        | —           | IC3IF                      | —       | —       | —      | —                           | —                      | 0000       |      |
| IFS3     | 008A     | FLTA1IF <sup>(1)</sup> | RTCIF  | —                           | —                   | —                   | —        | PWM1IF <sup>(1)</sup> | —     | —        | —           | —                          | —       | —       | —      | —                           | —                      | 0000       |      |
| IFS4     | 008C     | —                      | —      | CTMUIF                      | —                   | —                   | —        | —                     | —     | —        | —           | —                          | —       | —       | —      | U1EIF                       | FLTB1IF <sup>(3)</sup> | 0000       |      |
| IEC0     | 0094     | —                      | —      | AD1IE                       | U1TXIE              | U1RXIE              | SPI1IE   | SPI1EIE               | T3IE  | T2IE     | OC2IE       | IC2IE                      | —       | T1IE    | OC1IE  | IC1IE                       | INT0IE                 | 0000       |      |
| IEC1     | 0096     | —                      | —      | INT2IE                      | T5IE <sup>(2)</sup> | T4IE <sup>(2)</sup> | —        | —                     | —     | —        | —           | —                          | INT1IE  | CNIE    | CMIE   | MI2C1IE                     | SI2C1IE                | 0000       |      |
| IEC2     | 0098     | —                      | —      | —                           | —                   | —                   | —        | —                     | —     | —        | —           | IC3IE                      | —       | —       | —      | —                           | —                      | 0000       |      |
| IEC3     | 009A     | FLTA1IE <sup>(1)</sup> | RTCIE  | —                           | —                   | —                   | —        | PWM1IE <sup>(1)</sup> | —     | —        | —           | —                          | —       | —       | —      | —                           | —                      | 0000       |      |
| IEC4     | 009C     | —                      | —      | CTMUIE                      | —                   | —                   | —        | —                     | —     | —        | —           | —                          | —       | —       | —      | U1EIE                       | FLTB1IE <sup>(3)</sup> | 0000       |      |
| IPC0     | 00A4     | —                      | —      | T1IP<2:0>                   |                     |                     | —        | OC1IP<2:0>            |       |          | —           | IC1IP<2:0>                 |         |         | —      | INT0IP<2:0>                 |                        |            | 4444 |
| IPC1     | 00A6     | —                      | —      | T2IP<2:0>                   |                     |                     | —        | OC2IP<2:0>            |       |          | —           | IC2IP<2:0>                 |         |         | —      | —                           | —                      | —          | 4440 |
| IPC2     | 00A8     | —                      | —      | U1RXIP<2:0>                 |                     |                     | —        | SPI1IP<2:0>           |       |          | —           | SPI1EIP<2:0>               |         |         | —      | T3IP<2:0>                   |                        |            | 4444 |
| IPC3     | 00AA     | —                      | —      | —                           | —                   | —                   | —        | —                     | —     | —        | —           | AD1IP<2:0>                 |         |         | —      | U1TXIP<2:0>                 |                        |            | 0044 |
| IPC4     | 00AC     | —                      | —      | CNIP<2:0>                   |                     |                     | —        | CMIP<2:0>             |       |          | —           | MI2C1IP<2:0>               |         |         | —      | SI2C1IP<2:0>                |                        |            | 4444 |
| IPC5     | 00AE     | —                      | —      | —                           | —                   | —                   | —        | —                     | —     | —        | —           | —                          | —       | —       | —      | INT1IP<2:0>                 |                        |            | 0004 |
| IPC6     | 00B0     | —                      | —      | T4IP<2:0> <sup>(2)</sup>    |                     |                     | —        | —                     | —     | —        | —           | —                          | —       | —       | —      | —                           | —                      | —          | 4000 |
| IPC7     | 00B2     | —                      | —      | —                           | —                   | —                   | —        | —                     | —     | —        | —           | —                          | —       | —       | —      | —                           | —                      | —          | 0044 |
| IPC9     | 00B6     | —                      | —      | —                           | —                   | —                   | —        | —                     | —     | —        | —           | —                          | —       | —       | —      | —                           | —                      | —          | 0040 |
| IPC14    | 00C0     | —                      | —      | —                           | —                   | —                   | —        | —                     | —     | —        | —           | PWM1IP<2:0> <sup>(1)</sup> |         |         | —      | —                           | —                      | —          | 0040 |
| IPC15    | 00C2     | —                      | —      | FLTA1IP<2:0> <sup>(1)</sup> |                     |                     | —        | RTCIP<2:0>            |       |          | —           | —                          | —       | —       | —      | —                           | —                      | —          | 4400 |
| IPC16    | 00C4     | —                      | —      | —                           | —                   | —                   | —        | —                     | —     | —        | —           | U1EIP<2:0>                 |         |         | —      | FLTB1IP<2:0> <sup>(3)</sup> |                        |            | 0040 |
| IPC19    | 00CA     | —                      | —      | —                           | —                   | —                   | —        | —                     | —     | —        | —           | CTMUIP<2:0>                |         |         | —      | —                           | —                      | —          | 0040 |
| INTTREG  | 00E0     | —                      | —      | —                           | —                   | —                   | ILR<3:0> |                       |       | —        | VECNUM<6:0> |                            |         |         |        |                             | 0000                   |            |      |

**Legend:** x = unknown value on Reset, — = unimplemented, read as '0'. Reset values are shown in hexadecimal.

- Note**
- 1: This bit is available in dsPIC33FJXXMC10X devices only.
  - 2: This bit is available in dsPIC33FJ32(GP/MC)10X devices only.
  - 3: This bit is available in dsPIC33FJ(16/32)MC102/104 devices only.

**TABLE 4-7: TIMERS REGISTER MAP FOR dsPIC33FJ16(GP/MC)10X DEVICES**

| SFR Name | SFR Addr | Bit 15   | Bit 14 | Bit 13 | Bit 12 | Bit 11 | Bit 10 | Bit 9 | Bit 8 | Bit 7 | Bit 6 | Bit 5      | Bit 4 | Bit 3 | Bit 2 | Bit 1 | Bit 0 | All Resets |
|----------|----------|--|--------|--------|--------|--------|--------|-------|-------|-------|-------|------------|-------|-------|-------|-------|-------|------------|
| TMR1     | 0100     | Timer1 Register  |        |        |        |        |        |       |       |       |       |            |       |       |       |       |       | 0000       |
| PR1      | 0102     | Period Register 1  |        |        |        |        |        |       |       |       |       |            |       |       |       |       |       | FFFF       |
| T1CON    | 0104     | TON  | —      | TSIDL  | —      | —      | —      | —     | —     | —     | TGATE | TCKPS<1:0> | —     | TSYNC | TCS   | —     | 0000  |            |
| TMR2     | 0106     | Timer2 Register  |        |        |        |        |        |       |       |       |       |            |       |       |       |       |       | 0000       |
| TMR3HLD  | 0108     | Timer3 Holding Register (for 32-bit timer operations only) |        |        |        |        |        |       |       |       |       |            |       |       |       |       |       | xxxx       |
| TMR3     | 010A     | Timer3 Register  |        |        |        |        |        |       |       |       |       |            |       |       |       |       |       | 0000       |
| PR2      | 010C     | Period Register 2  |        |        |        |        |        |       |       |       |       |            |       |       |       |       |       | FFFF       |
| PR3      | 010E     | Period Register 3  |        |        |        |        |        |       |       |       |       |            |       |       |       |       |       | FFFF       |
| T2CON    | 0110     | TON  | —      | TSIDL  | —      | —      | —      | —     | —     | —     | TGATE | TCKPS<1:0> | T32   | —     | TCS   | —     | 0000  |            |
| T3CON    | 0112     | TON  | —      | TSIDL  | —      | —      | —      | —     | —     | —     | TGATE | TCKPS<1:0> | —     | —     | TCS   | —     | 0000  |            |

**Legend:** x = unknown value on Reset, — = unimplemented, read as '0'. Reset values are shown in hexadecimal.

**TABLE 4-8: TIMERS REGISTER MAP FOR DSPIC33FJ32(GP/MC)10X DEVICES**

| SFR Name | SFR Addr | Bit 15   | Bit 14 | Bit 13 | Bit 12 | Bit 11 | Bit 10 | Bit 9 | Bit 8 | Bit 7 | Bit 6 | Bit 5      | Bit 4 | Bit 3 | Bit 2 | Bit 1 | Bit 0 | All Resets |
|----------|----------|--|--------|--------|--------|--------|--------|-------|-------|-------|-------|------------|-------|-------|-------|-------|-------|------------|
| TMR1     | 0100     | Timer1 Register  |        |        |        |        |        |       |       |       |       |            |       |       |       |       |       | 0000       |
| PR1      | 0102     | Period Register 1  |        |        |        |        |        |       |       |       |       |            |       |       |       |       |       | FFFF       |
| T1CON    | 0104     | TON  | —      | TSIDL  | —      | —      | —      | —     | —     | —     | TGATE | TCKPS<1:0> | —     | TSYNC | TCS   | —     | 0000  |            |
| TMR2     | 0106     | Timer2 Register  |        |        |        |        |        |       |       |       |       |            |       |       |       |       |       | 0000       |
| TMR3HLD  | 0108     | Timer3 Holding Register (for 32-bit timer operations only) |        |        |        |        |        |       |       |       |       |            |       |       |       |       |       | xxxx       |
| TMR3     | 010A     | Timer3 Register  |        |        |        |        |        |       |       |       |       |            |       |       |       |       |       | 0000       |
| PR2      | 010C     | Period Register 2  |        |        |        |        |        |       |       |       |       |            |       |       |       |       |       | FFFF       |
| PR3      | 010E     | Period Register 3  |        |        |        |        |        |       |       |       |       |            |       |       |       |       |       | FFFF       |
| T2CON    | 0110     | TON  | —      | TSIDL  | —      | —      | —      | —     | —     | —     | TGATE | TCKPS<1:0> | T32   | —     | TCS   | —     | 0000  |            |
| T3CON    | 0112     | TON  | —      | TSIDL  | —      | —      | —      | —     | —     | —     | TGATE | TCKPS<1:0> | —     | —     | TCS   | —     | 0000  |            |
| TMR4     | 0114     | Timer4 Register  |        |        |        |        |        |       |       |       |       |            |       |       |       |       |       | 0000       |
| TMR5HLD  | 0116     | Timer5 Holding Register (for 32-bit operations only)       |        |        |        |        |        |       |       |       |       |            |       |       |       |       |       | xxxx       |
| TMR5     | 0118     | Timer5 Register  |        |        |        |        |        |       |       |       |       |            |       |       |       |       |       | 0000       |
| PR4      | 011A     | Period Register 4  |        |        |        |        |        |       |       |       |       |            |       |       |       |       |       | FFFF       |
| PR5      | 011C     | Period Register 5  |        |        |        |        |        |       |       |       |       |            |       |       |       |       |       | FFFF       |
| T4CON    | 011E     | TON  | —      | TSIDL  | —      | —      | —      | —     | —     | —     | TGATE | TCKPS<1:0> | T32   | —     | TCS   | —     | 0000  |            |
| T5CON    | 0120     | TON  | —      | TSIDL  | —      | —      | —      | —     | —     | —     | TGATE | TCKPS<1:0> | —     | —     | TCS   | —     | 0000  |            |

**Legend:** x = unknown value on Reset, — = unimplemented, read as '0'. Reset values are shown in hexadecimal.

**TABLE 4-9: INPUT CAPTURE REGISTER MAP**

| SFR Name | SFR Addr | Bit 15                   | Bit 14 | Bit 13 | Bit 12 | Bit 11 | Bit 10 | Bit 9 | Bit 8 | Bit 7 | Bit 6    | Bit 5 | Bit 4 | Bit 3    | Bit 2 | Bit 1 | Bit 0 | All Resets |
|----------|----------|--------------------------|--------|--------|--------|--------|--------|-------|-------|-------|----------|-------|-------|----------|-------|-------|-------|------------|
| IC1BUF   | 0140     | Input 1 Capture Register |        |        |        |        |        |       |       |       |          |       |       |          |       |       |       | xxxx       |
| IC1CON   | 0142     | —                        | —      | ICSIDL | —      | —      | —      | —     | —     | ICTMR | ICI<1:0> | ICOV  | ICBNE | ICM<2:0> |       |       | 0000  |            |
| IC2BUF   | 0144     | Input 2 Capture Register |        |        |        |        |        |       |       |       |          |       |       |          |       |       |       | xxxx       |
| IC2CON   | 0146     | —                        | —      | ICSIDL | —      | —      | —      | —     | —     | ICTMR | ICI<1:0> | ICOV  | ICBNE | ICM<2:0> |       |       | 0000  |            |
| IC3BUF   | 0148     | Input 3 Capture Register |        |        |        |        |        |       |       |       |          |       |       |          |       |       |       | xxxx       |
| IC3CON   | 014A     | —                        | —      | ICSIDL | —      | —      | —      | —     | —     | ICTMR | ICI<1:0> | ICOV  | ICBNE | ICM<2:0> |       |       | 0000  |            |

**Legend:** x = unknown value on Reset, — = unimplemented, read as '0'. Reset values are shown in hexadecimal.

**TABLE 4-10: OUTPUT COMPARE REGISTER MAP**

| SFR Name | SFR Addr | Bit 15                              | Bit 14 | Bit 13 | Bit 12 | Bit 11 | Bit 10 | Bit 9 | Bit 8 | Bit 7 | Bit 6 | Bit 5 | Bit 4 | Bit 3  | Bit 2    | Bit 1 | Bit 0 | All Resets |
|----------|----------|-------------------------------------|--------|--------|--------|--------|--------|-------|-------|-------|-------|-------|-------|--------|----------|-------|-------|------------|
| OC1RS    | 0180     | Output Compare 1 Secondary Register |        |        |        |        |        |       |       |       |       |       |       |        |          |       |       | xxxx       |
| OC1R     | 0182     | Output Compare 1 Register           |        |        |        |        |        |       |       |       |       |       |       |        |          |       |       | xxxx       |
| OC1CON   | 0184     | —                                   | —      | OCSIDL | —      | —      | —      | —     | —     | —     | —     | —     | OCFLT | OCTSEL | OCM<2:0> |       |       | 0000       |
| OC2RS    | 0186     | Output Compare 2 Secondary Register |        |        |        |        |        |       |       |       |       |       |       |        |          |       |       | xxxx       |
| OC2R     | 0188     | Output Compare 2 Register           |        |        |        |        |        |       |       |       |       |       |       |        |          |       |       | xxxx       |
| OC2CON   | 018A     | —                                   | —      | OCSIDL | —      | —      | —      | —     | —     | —     | —     | —     | OCFLT | OCTSEL | OCM<2:0> |       |       | 0000       |

**Legend:** x = unknown value on Reset, — = unimplemented, read as '0'. Reset values are shown in hexadecimal.

**TABLE 4-11: 6-OUTPUT PWM1 REGISTER MAP FOR dsPIC33FJXXMC10X DEVICES**

| SFR Name  | Addr. | Bit 15                    | Bit 14                             | Bit 13   | Bit 12 | Bit 11 | Bit 10 | Bit 9       | Bit 8      | Bit 7      | Bit 6    | Bit 5  | Bit 4       | Bit 3  | Bit 2      | Bit 1               | Bit 0               | Reset State         |                     |
|-----------|-------|---------------------------|------------------------------------|----------|--------|--------|--------|-------------|------------|------------|----------|--------|-------------|--------|------------|---------------------|---------------------|---------------------|---------------------|
| P1TCON    | 01C0  | PTEN                      | —                                  | PTSIDL   | —      | —      | —      | —           | —          | PTOPS<3:0> |          |        | PTCKPS<1:0> |        | PTMOD<1:0> |                     | 0000 0000 0000 0000 |                     |                     |
| P1TMR     | 01C2  | PTDIR                     | PWM Timer Count Value Register     |          |        |        |        |             |            |            |          |        |             |        |            |                     |                     | 0000 0000 0000 0000 |                     |
| P1TPER    | 01C4  | —                         | PWM Time Base Period Register      |          |        |        |        |             |            |            |          |        |             |        |            |                     |                     | 0111 1111 1111 1111 |                     |
| P1SECMP   | 01C6  | SEVTDIR                   | PWM Special Event Compare Register |          |        |        |        |             |            |            |          |        |             |        |            |                     |                     | 0000 0000 0000 0000 |                     |
| PWM1CON1  | 01C8  | —                         | —                                  | —        | —      | —      | —      | PMOD3       | PMOD2      | PMOD1      | —        | PEN3H  | PEN2H       | PEN1H  | —          | PEN3L               | PEN2L               | PEN1L               | 0000 0000 0000 0000 |
| PWM1CON2  | 01CA  | —                         | —                                  | —        | —      | —      | —      | SEVOPS<3:0> |            |            | —        | —      | —           | —      | IUE        | OSYNC               | UDIS                | 0000 0000 0000 0000 |                     |
| P1DTCON1  | 01CC  | DTBPS<1:0>                |                                    | DTB<5:0> |        |        |        |             | DTAPS<1:0> |            | DTA<5:0> |        |             |        |            | 0000 0000 0000 0000 |                     |                     |                     |
| P1DTCON2  | 01CE  | —                         | —                                  | —        | —      | —      | —      | —           | —          | —          | —        | DTS3A  | DTS3I       | DTS2A  | DTS2I      | DTS1A               | DTS1I               | 0000 0000 0000 0000 |                     |
| P1FLTACON | 01D0  | —                         | —                                  | FAOV3H   | FAOV3L | FAOV2H | FAOV2L | FAOV1H      | FAOV1L     | FLTAM      | —        | —      | —           | —      | FAEN3      | FAEN2               | FAEN1               | 0000 0000 0000 0111 |                     |
| P1FLTBCON | 01D2  | —                         | —                                  | FBOV3H   | FBOV3L | FBOV2H | FBOV2L | FBOV1H      | FBOV1L     | FLTBM      | —        | —      | —           | —      | FBEN3      | FBEN2               | FBEN1               | 0000 0000 0000 0111 |                     |
| P1OVDCON  | 01D4  | —                         | —                                  | POVD3H   | POVD3L | POVD2H | POVD2L | POVD1H      | POVD1L     | —          | —        | POUT3H | POUT3L      | POUT2H | POUT2L     | POUT1H              | POUT1L              | 0011 1111 0000 0000 |                     |
| P1DC1     | 01D6  | PWM Duty Cycle 1 Register |                                    |          |        |        |        |             |            |            |          |        |             |        |            |                     |                     | 0000 0000 0000 0000 |                     |
| P1DC2     | 01D8  | PWM Duty Cycle 2 Register |                                    |          |        |        |        |             |            |            |          |        |             |        |            |                     |                     | 0000 0000 0000 0000 |                     |
| P1DC3     | 01DA  | PWM Duty Cycle 3 Register |                                    |          |        |        |        |             |            |            |          |        |             |        |            |                     |                     | 0000 0000 0000 0000 |                     |
| PWM1KEY   | 01DE  | PWMKEY <15:0>             |                                    |          |        |        |        |             |            |            |          |        |             |        |            |                     |                     | 0000 0000 0000 0000 |                     |

**Legend:** — = unimplemented, read as '0'

**TABLE 4-12: I2C1 REGISTER MAP**

| SFR Name | SFR Addr | Bit 15  | Bit 14 | Bit 13  | Bit 12 | Bit 11 | Bit 10 | Bit 9                 | Bit 8                        | Bit 7             | Bit 6 | Bit 5 | Bit 4 | Bit 3 | Bit 2 | Bit 1 | Bit 0 | All Resets |
|----------|----------|---------|--------|---------|--------|--------|--------|-----------------------|------------------------------|-------------------|-------|-------|-------|-------|-------|-------|-------|------------|
| I2C1RCV  | 0200     | —       | —      | —       | —      | —      | —      | —                     | —                            | Receive Register  |       |       |       |       |       |       |       | 0000       |
| I2C1TRN  | 0202     | —       | —      | —       | —      | —      | —      | —                     | —                            | Transmit Register |       |       |       |       |       |       |       | 00FF       |
| I2C1BRG  | 0204     | —       | —      | —       | —      | —      | —      | —                     | Baud Rate Generator Register |                   |       |       |       |       |       |       | 0000  |            |
| I2C1CON  | 0206     | I2CEN   | —      | I2CSIDL | SCLREL | IPMIEN | A10M   | DISSLW                | SMEN                         | GCEN              | STREN | ACKDT | ACKEN | RCEN  | PEN   | RSEN  | SEN   | 1000       |
| I2C1STAT | 0208     | ACKSTAT | TRSTAT | —       | —      | —      | BCL    | GCSTAT                | ADD10                        | IWCOL             | I2COV | D_A   | P     | S     | R_W   | RBF   | TBF   | 0000       |
| I2C1ADD  | 020A     | —       | —      | —       | —      | —      | —      | Address Register      |                              |                   |       |       |       |       |       | 0000  |       |            |
| I2C1MSK  | 020C     | —       | —      | —       | —      | —      | —      | Address Mask Register |                              |                   |       |       |       |       |       | 0000  |       |            |

**Legend:** x = unknown value on Reset, — = unimplemented, read as '0'. Reset values are shown in hexadecimal.

**TABLE 4-13: UART1 REGISTER MAP**

| SFR Name | SFR Addr | Bit 15                        | Bit 14 | Bit 13   | Bit 12 | Bit 11 | Bit 10 | Bit 9 | Bit 8                  | Bit 7        | Bit 6  | Bit 5 | Bit 4  | Bit 3 | Bit 2      | Bit 1 | Bit 0 | All Resets |
|----------|----------|-------------------------------|--------|----------|--------|--------|--------|-------|------------------------|--------------|--------|-------|--------|-------|------------|-------|-------|------------|
| U1MODE   | 0220     | UARTEN                        | —      | USIDL    | IREN   | RTSMD  | —      | UEN1  | UEN0                   | WAKE         | LPBACK | ABAUD | URXINV | BRGH  | PDSEL<1:0> |       | STSEL | 0000       |
| U1STA    | 0222     | UTXISEL1                      | UTXINV | UTXISEL0 | —      | UTXBRK | UTXEN  | UTXBF | TRMT                   | URXISEL<1:0> |        | ADDEN | RIDLE  | PERR  | FERR       | OERR  | URXDA | 0110       |
| U1TXREG  | 0224     | —                             | —      | —        | —      | —      | —      | —     | UART Transmit Register |              |        |       |        |       |            |       | xxxx  |            |
| U1RXREG  | 0226     | —                             | —      | —        | —      | —      | —      | —     | UART Receive Register  |              |        |       |        |       |            |       | 0000  |            |
| U1BRG    | 0228     | Baud Rate Generator Prescaler |        |          |        |        |        |       |                        |              |        |       |        |       |            |       | 0000  |            |

**Legend:** x = unknown value on Reset, — = unimplemented, read as '0'. Reset values are shown in hexadecimal.

**TABLE 4-14: SPI1 REGISTER MAP**

| SFR Name | SFR Addr | Bit 15                                    | Bit 14 | Bit 13  | Bit 12 | Bit 11 | Bit 10 | Bit 9 | Bit 8 | Bit 7 | Bit 6  | Bit 5 | Bit 4     | Bit 3 | Bit 2 | Bit 1     | Bit 0  | All Resets |
|----------|----------|---|--------|---------|--------|--------|--------|-------|-------|-------|--------|-------|-----------|-------|-------|-----------|--------|------------|
| SPI1STAT | 0240     | SPIEN                                     | —      | SPISIDL | —      | —      | —      | —     | —     | —     | SPIROV | —     | —         | —     | —     | SPITBF    | SPIRBF | 0000       |
| SPI1CON1 | 0242     | —   | —      | —       | DISSCK | DISSDO | MODE16 | SMP   | CKE   | SSEN  | CKP    | MSTEN | SPRE<2:0> |       |       | PPRE<1:0> |        | 0000       |
| SPI1CON2 | 0244     | FRMEN                                     | SPIFSD | FRMPOL  | —      | —      | —      | —     | —     | —     | —      | —     | —         | —     | —     | FRMDLY    | —      | 0000       |
| SPI1BUF  | 0248     | SPI1 Transmit and Receive Buffer Register |        |         |        |        |        |       |       |       |        |       |           |       |       |           | 0000   |            |

**Legend:** x = unknown value on Reset, — = unimplemented, read as '0'. Reset values are shown in hexadecimal.

**TABLE 4-15: ADC1 REGISTER MAP FOR dsPIC33FJXX(GP/MC)101 DEVICES**

| File Name | Addr | Bit 15             | Bit 14 | Bit 13 | Bit 12     | Bit 11 | Bit 10                | Bit 9                | Bit 8     | Bit 7 | Bit 6     | Bit 5      | Bit 4  | Bit 3 | Bit 2        | Bit 1   | Bit 0 | All Resets |      |
|-----------|------|--------------------|--------|--------|------------|--------|-----------------------|----------------------|-----------|-------|-----------|------------|--------|-------|--------------|---------|-------|------------|------|
| ADC1BUF0  | 0300 | ADC Data Buffer 0  |        |        |            |        |                       |                      |           |       |           |            |        |       |              |         |       |            | xxxx |
| ADC1BUF1  | 0302 | ADC Data Buffer 1  |        |        |            |        |                       |                      |           |       |           |            |        |       |              |         |       |            | xxxx |
| ADC1BUF2  | 0304 | ADC Data Buffer 2  |        |        |            |        |                       |                      |           |       |           |            |        |       |              |         |       |            | xxxx |
| ADC1BUF3  | 0306 | ADC Data Buffer 3  |        |        |            |        |                       |                      |           |       |           |            |        |       |              |         |       |            | xxxx |
| ADC1BUF4  | 0308 | ADC Data Buffer 4  |        |        |            |        |                       |                      |           |       |           |            |        |       |              |         |       |            | xxxx |
| ADC1BUF5  | 030A | ADC Data Buffer 5  |        |        |            |        |                       |                      |           |       |           |            |        |       |              |         |       |            | xxxx |
| ADC1BUF6  | 030C | ADC Data Buffer 6  |        |        |            |        |                       |                      |           |       |           |            |        |       |              |         |       |            | xxxx |
| ADC1BUF7  | 030E | ADC Data Buffer 7  |        |        |            |        |                       |                      |           |       |           |            |        |       |              |         |       |            | xxxx |
| ADC1BUF8  | 0310 | ADC Data Buffer 8  |        |        |            |        |                       |                      |           |       |           |            |        |       |              |         |       |            | xxxx |
| ADC1BUF9  | 0312 | ADC Data Buffer 9  |        |        |            |        |                       |                      |           |       |           |            |        |       |              |         |       |            | xxxx |
| ADC1BUFA  | 0314 | ADC Data Buffer 10 |        |        |            |        |                       |                      |           |       |           |            |        |       |              |         |       |            | xxxx |
| ADC1BUFB  | 0316 | ADC Data Buffer 11 |        |        |            |        |                       |                      |           |       |           |            |        |       |              |         |       |            | xxxx |
| ADC1BUFC  | 0318 | ADC Data Buffer 12 |        |        |            |        |                       |                      |           |       |           |            |        |       |              |         |       |            | xxxx |
| ADC1BUFD  | 031A | ADC Data Buffer 13 |        |        |            |        |                       |                      |           |       |           |            |        |       |              |         |       |            | xxxx |
| ADC1BUFE  | 031C | ADC Data Buffer 14 |        |        |            |        |                       |                      |           |       |           |            |        |       |              |         |       |            | xxxx |
| ADC1BUFF  | 031E | ADC Data Buffer 15 |        |        |            |        |                       |                      |           |       |           |            |        |       |              |         |       |            | xxxx |
| AD1CON1   | 0320 | ADON               | —      | ADSIDL | —          | —      | —                     | FORM<1:0>            | SSRC<2:0> |       |           | —          | SIMSAM | ASAM  | SAMP         | DONE    | 0000  |            |      |
| AD1CON2   | 0322 | VCFG<2:0>          |        |        | —          | —      | CSCNA                 | CHPS<1:0>            | BUFS      | —     | SMPI<3:0> |            |        |       | BUFM         | ALTS    | 0000  |            |      |
| AD1CON3   | 0324 | ADRC               | —      | —      | SAMC<4:0>  |        |                       |                      | ADCS<7:0> |       |           |            |        |       |              | 0000    |       |            |      |
| AD1CHS123 | 0326 | —                  | —      | —      | —          | —      | CH123NB<1:0>          | CH123SB              | —         | —     | —         | —          | —      | —     | CH123NA<1:0> | CH123SA | 0000  |            |      |
| AD1CHS0   | 0328 | CH0NB              | —      | —      | CH0SB<4:0> |        |                       |                      | CH0NA     | —     | —         | CH0SA<4:0> |        |       |              | 0000    |       |            |      |
| AD1PCFGL  | 032C | —                  | —      | —      | —          | —      | PCFG10 <sup>(1)</sup> | PCFG9 <sup>(1)</sup> | —         | —     | —         | —          | —      | PCFG3 | PCFG2        | PCFG1   | PCFG0 | 0000       |      |
| AD1CSSL   | 0330 | —                  | —      | —      | —          | —      | CSS10 <sup>(1)</sup>  | CSS9 <sup>(1)</sup>  | —         | —     | —         | —          | —      | CSS3  | CSS2         | CSS1    | CSS0  | 0000       |      |

**Legend:** x = unknown value on Reset, — = unimplemented, read as '0'. Reset values are shown in hexadecimal.

**Note 1:** This bit is available in dsPIC33FJ32(GP/MC)101/102 devices only.

**TABLE 4-16: ADC1 REGISTER MAP FOR dsPIC33FJXX(GP/MC)102 DEVICES**

| File Name | Addr | Bit 15             | Bit 14 | Bit 13 | Bit 12     | Bit 11 | Bit 10                | Bit 9                | Bit 8     | Bit 7 | Bit 6     | Bit 5      | Bit 4  | Bit 3 | Bit 2        | Bit 1   | Bit 0 | All Resets |
|-----------|------|--------------------|--------|--------|------------|--------|-----------------------|----------------------|-----------|-------|-----------|------------|--------|-------|--------------|---------|-------|------------|
| ADC1BUF0  | 0300 | ADC Data Buffer 0  |        |        |            |        |                       |                      |           |       |           |            |        |       |              |         |       | xxxx       |
| ADC1BUF1  | 0302 | ADC Data Buffer 1  |        |        |            |        |                       |                      |           |       |           |            |        |       |              |         |       | xxxx       |
| ADC1BUF2  | 0304 | ADC Data Buffer 2  |        |        |            |        |                       |                      |           |       |           |            |        |       |              |         |       | xxxx       |
| ADC1BUF3  | 0306 | ADC Data Buffer 3  |        |        |            |        |                       |                      |           |       |           |            |        |       |              |         |       | xxxx       |
| ADC1BUF4  | 0308 | ADC Data Buffer 4  |        |        |            |        |                       |                      |           |       |           |            |        |       |              |         |       | xxxx       |
| ADC1BUF5  | 030A | ADC Data Buffer 5  |        |        |            |        |                       |                      |           |       |           |            |        |       |              |         |       | xxxx       |
| ADC1BUF6  | 030C | ADC Data Buffer 6  |        |        |            |        |                       |                      |           |       |           |            |        |       |              |         |       | xxxx       |
| ADC1BUF7  | 030E | ADC Data Buffer 7  |        |        |            |        |                       |                      |           |       |           |            |        |       |              |         |       | xxxx       |
| ADC1BUF8  | 0310 | ADC Data Buffer 8  |        |        |            |        |                       |                      |           |       |           |            |        |       |              |         |       | xxxx       |
| ADC1BUF9  | 0312 | ADC Data Buffer 9  |        |        |            |        |                       |                      |           |       |           |            |        |       |              |         |       | xxxx       |
| ADC1BUFA  | 0314 | ADC Data Buffer 10 |        |        |            |        |                       |                      |           |       |           |            |        |       |              |         |       | xxxx       |
| ADC1BUFB  | 0316 | ADC Data Buffer 11 |        |        |            |        |                       |                      |           |       |           |            |        |       |              |         |       | xxxx       |
| ADC1BUFC  | 0318 | ADC Data Buffer 12 |        |        |            |        |                       |                      |           |       |           |            |        |       |              |         |       | xxxx       |
| ADC1BUFD  | 031A | ADC Data Buffer 13 |        |        |            |        |                       |                      |           |       |           |            |        |       |              |         |       | xxxx       |
| ADC1BUFE  | 031C | ADC Data Buffer 14 |        |        |            |        |                       |                      |           |       |           |            |        |       |              |         |       | xxxx       |
| ADC1BUFF  | 031E | ADC Data Buffer 15 |        |        |            |        |                       |                      |           |       |           |            |        |       |              |         |       | xxxx       |
| AD1CON1   | 0320 | ADON               | —      | ADSIDL | —          | —      | —                     | FORM<1:0>            | SSRC<2:0> |       |           | —          | SIMSAM | ASAM  | SAMP         | DONE    | 0000  |            |
| AD1CON2   | 0322 | VCFG<2:0>          |        |        | —          | —      | CSCNA                 | CHPS<1:0>            | BUFS      | —     | SMPI<3:0> |            |        |       | BUFM         | ALTS    | 0000  |            |
| AD1CON3   | 0324 | ADRC               | —      | —      | SAMC<4:0>  |        |                       |                      | ADCS<7:0> |       |           |            |        |       |              | 0000    |       |            |
| AD1CHS123 | 0326 | —                  | —      | —      | —          | —      | CH123NB<1:0>          | CH123SB              | —         | —     | —         | —          | —      | —     | CH123NA<1:0> | CH123SA | 0000  |            |
| AD1CHS0   | 0328 | CH0NB              | —      | —      | CH0SB<4:0> |        |                       |                      | CH0NA     | —     | —         | CH0SA<4:0> |        |       |              |         | 0000  |            |
| AD1PCFGL  | 032C | —                  | —      | —      | —          | —      | PCFG10 <sup>(1)</sup> | PCFG9 <sup>(1)</sup> | —         | —     | —         | PCFG5      | PCFG4  | PCFG3 | PCFG2        | PCFG1   | PCFG0 | 0000       |
| AD1CSSL   | 0330 | —                  | —      | —      | —          | —      | CSS10 <sup>(1)</sup>  | CSS9 <sup>(1)</sup>  | —         | —     | —         | CSS5       | CSS4   | CSS3  | CSS2         | CSS1    | CSS0  | 0000       |

**Legend:** x = unknown value on Reset, — = unimplemented, read as '0'. Reset values are shown in hexadecimal.

**Note 1:** This bit is available in dsPIC33FJ32(GP/MC)101/102 devices only.



**TABLE 4-17: ADC1 REGISTER MAP FOR dsPIC33FJ32(GP/MC)104 DEVICES**

| File Name | Addr | Bit 15             | Bit 14 | Bit 13 | Bit 12     | Bit 11 | Bit 10                | Bit 9                | Bit 8     | Bit 7 | Bit 6     | Bit 5      | Bit 4  | Bit 3 | Bit 2        | Bit 1   | Bit 0 | All Resets |
|-----------|------|--------------------|--------|--------|------------|--------|-----------------------|----------------------|-----------|-------|-----------|------------|--------|-------|--------------|---------|-------|------------|
| ADC1BUF0  | 0300 | ADC Data Buffer 0  |        |        |            |        |                       |                      |           |       |           |            |        |       |              |         |       | xxxx       |
| ADC1BUF1  | 0302 | ADC Data Buffer 1  |        |        |            |        |                       |                      |           |       |           |            |        |       |              |         |       | xxxx       |
| ADC1BUF2  | 0304 | ADC Data Buffer 2  |        |        |            |        |                       |                      |           |       |           |            |        |       |              |         |       | xxxx       |
| ADC1BUF3  | 0306 | ADC Data Buffer 3  |        |        |            |        |                       |                      |           |       |           |            |        |       |              |         |       | xxxx       |
| ADC1BUF4  | 0308 | ADC Data Buffer 4  |        |        |            |        |                       |                      |           |       |           |            |        |       |              |         |       | xxxx       |
| ADC1BUF5  | 030A | ADC Data Buffer 5  |        |        |            |        |                       |                      |           |       |           |            |        |       |              |         |       | xxxx       |
| ADC1BUF6  | 030C | ADC Data Buffer 6  |        |        |            |        |                       |                      |           |       |           |            |        |       |              |         |       | xxxx       |
| ADC1BUF7  | 030E | ADC Data Buffer 7  |        |        |            |        |                       |                      |           |       |           |            |        |       |              |         |       | xxxx       |
| ADC1BUF8  | 0310 | ADC Data Buffer 8  |        |        |            |        |                       |                      |           |       |           |            |        |       |              |         |       | xxxx       |
| ADC1BUF9  | 0312 | ADC Data Buffer 9  |        |        |            |        |                       |                      |           |       |           |            |        |       |              |         |       | xxxx       |
| ADC1BUFA  | 0314 | ADC Data Buffer 10 |        |        |            |        |                       |                      |           |       |           |            |        |       |              |         |       | xxxx       |
| ADC1BUFB  | 0316 | ADC Data Buffer 11 |        |        |            |        |                       |                      |           |       |           |            |        |       |              |         |       | xxxx       |
| ADC1BUFC  | 0318 | ADC Data Buffer 12 |        |        |            |        |                       |                      |           |       |           |            |        |       |              |         |       | xxxx       |
| ADC1BUFD  | 031A | ADC Data Buffer 13 |        |        |            |        |                       |                      |           |       |           |            |        |       |              |         |       | xxxx       |
| ADC1BUFE  | 031C | ADC Data Buffer 14 |        |        |            |        |                       |                      |           |       |           |            |        |       |              |         |       | xxxx       |
| ADC1BUFF  | 031E | ADC Data Buffer 15 |        |        |            |        |                       |                      |           |       |           |            |        |       |              |         |       | xxxx       |
| AD1CON1   | 0320 | ADON               | —      | ADSIDL | —          | —      | —                     | FORM<1:0>            | SSRC<2:0> |       |           | —          | SIMSAM | ASAM  | SAMP         | DONE    | 0000  |            |
| AD1CON2   | 0322 | VCFG<2:0>          |        |        | —          | —      | CSCNA                 | CHPS<1:0>            | BUFS      | —     | SMPI<3:0> |            |        |       | BUFM         | ALTS    | 0000  |            |
| AD1CON3   | 0324 | ADRC               | —      | —      | SAMC<4:0>  |        |                       |                      | ADCS<7:0> |       |           |            |        |       |              | 0000    |       |            |
| AD1CHS123 | 0326 | —                  | —      | —      | —          | —      | CH123NB<1:0>          | CH123SB              | —         | —     | —         | —          | —      | —     | CH123NA<1:0> | CH123SA | 0000  |            |
| AD1CHS0   | 0328 | CH0NB              | —      | —      | CH0SB<4:0> |        |                       |                      | CH0NA     | —     | —         | CH0SA<4:0> |        |       |              |         | 0000  |            |
| AD1PCFGL  | 032C | PCFG15             | —      | —      | PCFG12     | PCFG11 | PCFG10 <sup>(1)</sup> | PCFG9 <sup>(1)</sup> | PCFG8     | PCFG7 | PCFG6     | PCFG5      | PCFG4  | PCFG3 | PCFG2        | PCFG1   | PCFG0 | 0000       |
| AD1CSSL   | 0330 | CSS15              | —      | —      | CSS12      | CSS11  | CSS10 <sup>(1)</sup>  | CSS9 <sup>(1)</sup>  | CSS8      | CSS7  | CSS6      | CSS5       | CSS4   | CSS3  | CSS2         | CSS1    | CSS0  | 0000       |

**Legend:** x = unknown value on Reset, — = unimplemented, read as '0'. Reset values are shown in hexadecimal.

**Note 1:** This bit is available in dsPIC33FJ32(GP/MC)104 devices only.

**TABLE 4-18: CTMU REGISTER MAP**

| File Name | Addr | Bit 15     | Bit 14  | Bit 13       | Bit 12 | Bit 11 | Bit 10   | Bit 9     | Bit 8    | Bit 7   | Bit 6   | Bit 5        | Bit 4 | Bit 3 | Bit 2 | Bit 1 | Bit 0 | All Resets |
|-----------|------|------------|---------|--------------|--------|--------|----------|-----------|----------|---------|---------|--------------|-------|-------|-------|-------|-------|------------|
| CTMUCON1  | 033A | CTMUEN     | —       | CTMUSIDL     | TGEN   | EDGEN  | EDGSEQEN | IDISSEN   | CTTRIG   | —       | —       | —            | —     | —     | —     | —     | —     | 0000       |
| CTMUCON2  | 033C | EDG1MOD    | EDG1POL | EDG1SEL<3:0> |        |        |          | EDG2STAT  | EDG1STAT | EDG2MOD | EDG2POL | EDG2SEL<3:0> |       |       | —     | —     | 0000  |            |
| CTMUICON  | 033E | ITRIM<5:0> |         |              |        |        |          | IRNG<1:0> |          | —       | —       | —            | —     | —     | —     | —     | —     | 0000       |

**Legend:** x = unknown value on Reset, — = unimplemented, read as '0'. Reset values are shown in hexadecimal.

**TABLE 4-19: REAL-TIME CLOCK AND CALENDAR REGISTER MAP**

| File Name | Addr | Bit 15  | Bit 14 | Bit 13     | Bit 12  | Bit 11  | Bit 10 | Bit 9        | Bit 8 | Bit 7     | Bit 6 | Bit 5 | Bit 4 | Bit 3 | Bit 2 | Bit 1 | Bit 0 | All Resets |
|-----------|------|---|--------|------------|---------|---------|--------|--------------|-------|-----------|-------|-------|-------|-------|-------|-------|-------|------------|
| ALRMVAL   | 0620 | Alarm Value Register Window based on APTR<1:0>  |        |            |         |         |        |              |       |           |       |       |       |       |       |       |       | xxxx       |
| ALCFGRPT  | 0622 | ALRMEN  | CHIME  | AMASK<3:0> |         |         |        | ALRMPTR<1:0> |       | ARPT<7:0> |       |       |       |       |       |       | 0000  |            |
| RTCVAL    | 0624 | RTCC Value Register Window based on RTCPTR<1:0> |        |            |         |         |        |              |       |           |       |       |       |       |       |       |       | xxxx       |
| RCFGCAL   | 0626 | RTCEN   | —      | RTCWREN    | RTCSYNC | HALFSEC | RTCOE  | RTCPTR<1:0>  |       | CAL<7:0>  |       |       |       |       |       |       | 0000  |            |

**Legend:** x = unknown value on Reset, — = unimplemented, read as '0'. Reset values are shown in hexadecimal.

**TABLE 4-20: PAD CONFIGURATION REGISTER MAP**

| File Name | Addr | Bit 15 | Bit 14 | Bit 13 | Bit 12 | Bit 11 | Bit 10 | Bit 9 | Bit 8 | Bit 7 | Bit 6 | Bit 5 | Bit 4 | Bit 3 | Bit 2 | Bit 1    | Bit 0 | All Resets |
|-----------|------|--------|--------|--------|--------|--------|--------|-------|-------|-------|-------|-------|-------|-------|-------|----------|-------|------------|
| PADCFG1   | 02FC | —      | —      | —      | —      | —      | —      | —     | —     | —     | —     | —     | —     | —     | —     | RTSECSEL | —     | 0000       |

**Legend:** x = unknown value on Reset, — = unimplemented, read as '0'. Reset values are shown in hexadecimal.

**TABLE 4-21: COMPARATOR REGISTER MAP**

| File Name | Addr. | Bit 15 | Bit 14 | Bit 13 | Bit 12 | Bit 11       | Bit 10  | Bit 9      | Bit 8 | Bit 7        | Bit 6      | Bit 5 | Bit 4 | Bit 3        | Bit 2      | Bit 1    | Bit 0 | All Resets |
|-----------|-------|--------|--------|--------|--------|--------------|---------|------------|-------|--------------|------------|-------|-------|--------------|------------|----------|-------|------------|
| CMSTAT    | 0650  | CMSIDL | —      | —      | —      | —            | C3EVT   | C2EVT      | C1EVT | —            | —          | —     | —     | —            | C3OUT      | C2OUT    | C1OUT | 0000       |
| CVRCON    | 0652  | —      | —      | —      | —      | —            | VREFSEL | BGSEL<1:0> |       | CVREN        | CVROE      | CVRR  | —     | CVR<3:0>     |            |          | 0000  |            |
| CM1CON    | 0654  | CON    | COE    | CPOL   | —      | —            | —       | CEVT       | COUT  | EVPOL<1:0>   |            | —     | CREF  | —            | —          | CCH<1:0> |       | 0000       |
| CM1MSKSR  | 0656  | —      | —      | —      | —      | SELSRCC<3:0> |         |            |       | SELSRCB<3:0> |            |       |       | SELSRCA<3:0> |            |          |       | 0000       |
| CM1MSKCON | 0658  | HLMS   | —      | OCEN   | OCNEN  | OBEN         | OBNEN   | OAEN       | OANEN | NAGS         | PAGS       | ACEN  | ACNEN | ABEN         | ABNEN      | AAEN     | AANEN | 0000       |
| CM1FLTR   | 065A  | —      | —      | —      | —      | —            | —       | —          | —     | —            | CFSEL<2:0> |       |       | CFLTREN      | CFDIV<2:0> |          |       | 0000       |
| CM2CON    | 065C  | CON    | COE    | CPOL   | —      | —            | —       | CEVT       | COUT  | EVPOL<1:0>   |            | —     | CREF  | —            | —          | CCH<1:0> |       | 0000       |
| CM2MSKSR  | 065E  | —      | —      | —      | —      | SELSRCC<3:0> |         |            |       | SELSRCB<3:0> |            |       |       | SELSRCA<3:0> |            |          |       | 0000       |
| CM2MSKCON | 0660  | HLMS   | —      | OCEN   | OCNEN  | OBEN         | OBNEN   | OAEN       | OANEN | NAGS         | PAGS       | ACEN  | ACNEN | ABEN         | ABNEN      | AAEN     | AANEN | 0000       |
| CM2FLTR   | 0662  | —      | —      | —      | —      | —            | —       | —          | —     | —            | CFSEL<2:0> |       |       | CFLTREN      | CFDIV<2:0> |          |       | 0000       |
| CM3CON    | 0664  | CON    | COE    | CPOL   | —      | —            | —       | CEVT       | COUT  | EVPOL<1:0>   |            | —     | CREF  | —            | —          | CCH<1:0> |       | 0000       |
| CM3MSKSR  | 0666  | —      | —      | —      | —      | SELSRCC<3:0> |         |            |       | SELSRCB<3:0> |            |       |       | SELSRCA<3:0> |            |          |       | 0000       |
| CM3MSKCON | 0668  | HLMS   | —      | OCEN   | OCNEN  | OBEN         | OBNEN   | OAEN       | OANEN | NAGS         | PAGS       | ACEN  | ACNEN | ABEN         | ABNEN      | AAEN     | AANEN | 0000       |
| CM3FLTR   | 066A  | —      | —      | —      | —      | —            | —       | —          | —     | —            | CFSEL<2:0> |       |       | CFLTREN      | CFDIV<2:0> |          |       | 0000       |

**Legend:** x = unknown value on Reset, — = unimplemented, read as '0'. Reset values are shown in hexadecimal.

**TABLE 4-22: PERIPHERAL PIN SELECT INPUT REGISTER MAP**

| File Name | Addr | Bit 15 | Bit 14 | Bit 13 | Bit 12                    | Bit 11 | Bit 10 | Bit 9 | Bit 8 | Bit 7 | Bit 6 | Bit 5 | Bit 4                     | Bit 3      | Bit 2 | Bit 1 | Bit 0 | All Resets |      |
|-----------|------|--------|--------|--------|---------------------------|--------|--------|-------|-------|-------|-------|-------|---------------------------|------------|-------|-------|-------|------------|------|
| RPINR0    | 0680 | —      | —      | —      | INT1R<4:0>                |        |        |       |       | —     | —     | —     | —                         | —          | —     | —     | —     | —          | 1F00 |
| RPINR1    | 0682 | —      | —      | —      | —                         | —      | —      | —     | —     | —     | —     | —     | —                         | INT2R<4:0> |       |       |       | 001F       |      |
| RPINR3    | 0686 | —      | —      | —      | T3CKR<4:0>                |        |        |       |       | —     | —     | —     | T2CKR<4:0>                |            |       |       | 1F1F  |            |      |
| RPINR4    | 0688 | —      | —      | —      | T5CKR<4:0> <sup>(1)</sup> |        |        |       |       | —     | —     | —     | T4CKR<4:0> <sup>(1)</sup> |            |       |       | 1F1F  |            |      |
| RPINR7    | 068E | —      | —      | —      | IC2R<4:0>                 |        |        |       |       | —     | —     | —     | IC1R<4:0>                 |            |       |       | 1F1F  |            |      |
| RPINR8    | 0690 | —      | —      | —      | —                         | —      | —      | —     | —     | —     | —     | —     | —                         | IC3R<4:0>  |       |       |       | 001F       |      |
| RPINR11   | 0696 | —      | —      | —      | —                         | —      | —      | —     | —     | —     | —     | —     | —                         | OCFAR<4:0> |       |       |       | 001F       |      |
| RPINR18   | 06A4 | —      | —      | —      | U1CTSR<4:0>               |        |        |       |       | —     | —     | —     | U1RXR<4:0>                |            |       |       | 1F1F  |            |      |
| RPINR20   | 06A8 | —      | —      | —      | SCK1R<4:0> <sup>(1)</sup> |        |        |       |       | —     | —     | —     | SDI1R<4:0> <sup>(1)</sup> |            |       |       | 1F1F  |            |      |
| RPINR21   | 06AA | —      | —      | —      | —                         | —      | —      | —     | —     | —     | —     | —     | —                         | SS1R<4:0>  |       |       |       | 001F       |      |

**Legend:** x = unknown value on Reset, — = unimplemented, read as '0'. Reset values are shown in hexadecimal.

**Note 1:** These bits are available in dsPIC33FJ32(GP/MC)10X devices only.

**TABLE 4-23: PERIPHERAL PIN SELECT OUTPUT REGISTER MAP FOR dsPIC33FJXXGP101 DEVICES**

| File Name | Addr | Bit 15 | Bit 14 | Bit 13 | Bit 12     | Bit 11 | Bit 10 | Bit 9 | Bit 8 | Bit 7 | Bit 6 | Bit 5      | Bit 4 | Bit 3 | Bit 2 | Bit 1 | Bit 0 | All Resets |
|-----------|------|--------|--------|--------|------------|--------|--------|-------|-------|-------|-------|------------|-------|-------|-------|-------|-------|------------|
| RPOR0     | 06C0 | —      | —      | —      | RP1R<4:0>  |        |        |       | —     | —     | —     | RP0R<4:0>  |       |       |       | 0000  |       |            |
| RPOR2     | 06C4 | —      | —      | —      | —          | —      | —      | —     | —     | —     | —     | RP4R<4:0>  |       |       |       | 0000  |       |            |
| RPOR3     | 06C6 | —      | —      | —      | RP7R<4:0>  |        |        |       | —     | —     | —     | —          | —     | —     | —     | —     | —     | 0000       |
| RPOR4     | 06C8 | —      | —      | —      | RP9R<4:0>  |        |        |       | —     | —     | —     | RP8R<4:0>  |       |       |       | 0000  |       |            |
| RPOR7     | 06CE | —      | —      | —      | RP15R<4:0> |        |        |       | —     | —     | —     | RP14R<4:0> |       |       |       | 0000  |       |            |

**Legend:** x = unknown value on Reset, — = unimplemented, read as '0'. Reset values are shown in hexadecimal.

**TABLE 4-24: PERIPHERAL PIN SELECT OUTPUT REGISTER MAP FOR dsPIC33FJXXMC101 DEVICES**

| File Name | Addr | Bit 15 | Bit 14 | Bit 13 | Bit 12     | Bit 11 | Bit 10 | Bit 9 | Bit 8 | Bit 7 | Bit 6 | Bit 5      | Bit 4 | Bit 3 | Bit 2 | Bit 1 | Bit 0 | All Resets |
|-----------|------|--------|--------|--------|------------|--------|--------|-------|-------|-------|-------|------------|-------|-------|-------|-------|-------|------------|
| RPOR0     | 06C0 | —      | —      | —      | RP1R<4:0>  |        |        |       | —     | —     | —     | RP0R<4:0>  |       |       |       | 0000  |       |            |
| RPOR2     | 06C4 | —      | —      | —      | —          | —      | —      | —     | —     | —     | —     | RP4R<4:0>  |       |       |       | 0000  |       |            |
| RPOR3     | 06C6 | —      | —      | —      | RP7R<4:0>  |        |        |       | —     | —     | —     | —          | —     | —     | —     | —     | —     | 0000       |
| RPOR4     | 06C8 | —      | —      | —      | RP9R<4:0>  |        |        |       | —     | —     | —     | RP8R<4:0>  |       |       |       | 0000  |       |            |
| RPOR6     | 06CC | —      | —      | —      | RP13R<4:0> |        |        |       | —     | —     | —     | RP12R<4:0> |       |       |       | 0000  |       |            |
| RPOR7     | 06CE | —      | —      | —      | RP15R<4:0> |        |        |       | —     | —     | —     | RP14R<4:0> |       |       |       | 0000  |       |            |

**Legend:** x = unknown value on Reset, — = unimplemented, read as '0'. Reset values are shown in hexadecimal.

**TABLE 4-25: PERIPHERAL PIN SELECT OUTPUT REGISTER MAP FOR dsPIC33FJXX(GP/MC)102 DEVICES**

| File Name | Addr | Bit 15 | Bit 14 | Bit 13 | Bit 12     | Bit 11 | Bit 10 | Bit 9 | Bit 8 | Bit 7 | Bit 6 | Bit 5      | Bit 4 | Bit 3 | Bit 2 | Bit 1 | Bit 0 | All Resets |
|-----------|------|--------|--------|--------|------------|--------|--------|-------|-------|-------|-------|------------|-------|-------|-------|-------|-------|------------|
| RPOR0     | 06C0 | —      | —      | —      | RP1R<4:0>  |        |        |       | —     | —     | —     | RP0R<4:0>  |       |       |       | 0000  |       |            |
| RPOR1     | 06C2 | —      | —      | —      | RP3R<4:0>  |        |        |       | —     | —     | —     | RP2R<4:0>  |       |       |       | 0000  |       |            |
| RPOR2     | 06C4 | —      | —      | —      | RP5R<4:0>  |        |        |       | —     | —     | —     | RP4R<4:0>  |       |       |       | 0000  |       |            |
| RPOR3     | 06C6 | —      | —      | —      | RP7R<4:0>  |        |        |       | —     | —     | —     | RP6R<4:0>  |       |       |       | 0000  |       |            |
| RPOR4     | 06C8 | —      | —      | —      | RP9R<4:0>  |        |        |       | —     | —     | —     | RP8R<4:0>  |       |       |       | 0000  |       |            |
| RPOR5     | 06CA | —      | —      | —      | RP11R<4:0> |        |        |       | —     | —     | —     | RP10R<4:0> |       |       |       | 0000  |       |            |
| RPOR6     | 06CC | —      | —      | —      | RP13R<4:0> |        |        |       | —     | —     | —     | RP12R<4:0> |       |       |       | 0000  |       |            |
| RPOR7     | 06CE | —      | —      | —      | RP15R<4:0> |        |        |       | —     | —     | —     | RP14R<4:0> |       |       |       | 0000  |       |            |

**Legend:** x = unknown value on Reset, — = unimplemented, read as '0'. Reset values are shown in hexadecimal.

**TABLE 4-26: PERIPHERAL PIN SELECT OUTPUT REGISTER MAP FOR dsPIC33FJ32(GP/MC)104 DEVICES**

| File Name | Addr | Bit 15 | Bit 14 | Bit 13 | Bit 12 | Bit 11 | Bit 10     | Bit 9 | Bit 8 | Bit 7 | Bit 6 | Bit 5 | Bit 4 | Bit 3 | Bit 2      | Bit 1 | Bit 0 | All Resets |
|-----------|------|--------|--------|--------|--------|--------|------------|-------|-------|-------|-------|-------|-------|-------|------------|-------|-------|------------|
| RPOR0     | 06C0 | —      | —      | —      |        |        | RP1R<4:0>  |       | —     | —     | —     |       |       |       | RP0R<4:0>  |       |       | 0000       |
| RPOR1     | 06C2 | —      | —      | —      |        |        | RP3R<4:0>  |       | —     | —     | —     |       |       |       | RP2R<4:0>  |       |       | 0000       |
| RPOR2     | 06C4 | —      | —      | —      |        |        | RP5R<4:0>  |       | —     | —     | —     |       |       |       | RP4R<4:0>  |       |       | 0000       |
| RPOR3     | 06C6 | —      | —      | —      |        |        | RP7R<4:0>  |       | —     | —     | —     |       |       |       | RP6R<4:0>  |       |       | 0000       |
| RPOR4     | 06C8 | —      | —      | —      |        |        | RP9R<4:0>  |       | —     | —     | —     |       |       |       | RP8R<4:0>  |       |       | 0000       |
| RPOR5     | 06CA | —      | —      | —      |        |        | RP11R<4:0> |       | —     | —     | —     |       |       |       | RP10R<4:0> |       |       | 0000       |
| RPOR6     | 06CC | —      | —      | —      |        |        | RP13R<4:0> |       | —     | —     | —     |       |       |       | RP12R<4:0> |       |       | 0000       |
| RPOR7     | 06CE | —      | —      | —      |        |        | RP15R<4:0> |       | —     | —     | —     |       |       |       | RP14R<4:0> |       |       | 0000       |
| RPOR8     | 06D0 | —      | —      | —      |        |        | RP17R<4:0> |       | —     | —     | —     |       |       |       | RP16R<4:0> |       |       | 0000       |
| RPOR9     | 06D2 | —      | —      | —      |        |        | RP19R<4:0> |       | —     | —     | —     |       |       |       | RP18R<4:0> |       |       | 0000       |
| RPOR10    | 06D4 | —      | —      | —      |        |        | RP21R<4:0> |       | —     | —     | —     |       |       |       | RP20R<4:0> |       |       | 0000       |
| RPOR11    | 06D6 | —      | —      | —      |        |        | RP23R<4:0> |       | —     | —     | —     |       |       |       | RP22R<4:0> |       |       | 0000       |
| RPOR12    | 06D8 | —      | —      | —      |        |        | RP25R<4:0> |       | —     | —     | —     |       |       |       | RP24R<4:0> |       |       | 0000       |

**Legend:** x = unknown value on Reset, — = unimplemented, read as '0'. Reset values are shown in hexadecimal.

**TABLE 4-27: PORTA REGISTER MAP FOR dsPIC33FJ16(GP/MC)101/102 DEVICES**

| File Name | Addr | Bit 15 | Bit 14 | Bit 13 | Bit 12 | Bit 11 | Bit 10 | Bit 9 | Bit 8 | Bit 7 | Bit 6 | Bit 5 | Bit 4  | Bit 3  | Bit 2  | Bit 1  | Bit 0  | All Resets |
|-----------|------|--------|--------|--------|--------|--------|--------|-------|-------|-------|-------|-------|--------|--------|--------|--------|--------|------------|
| TRISA     | 02C0 | —      | —      | —      | —      | —      | —      | —     | —     | —     | —     | —     | TRISA4 | TRISA3 | TRISA2 | TRISA1 | TRISA0 | 001F       |
| PORTA     | 02C2 | —      | —      | —      | —      | —      | —      | —     | —     | —     | —     | —     | RA4    | RA3    | RA2    | RA1    | RA0    | xxxx       |
| LATA      | 02C4 | —      | —      | —      | —      | —      | —      | —     | —     | —     | —     | —     | LATA4  | LATA3  | LATA2  | LATA1  | LATA0  | xxxx       |
| ODCA      | 02C6 | —      | —      | —      | —      | —      | —      | —     | —     | —     | —     | —     | ODCA4  | ODCA3  | ODCA2  | —      | —      | 0000       |

**Legend:** x = unknown value on Reset, — = unimplemented, read as '0'. Reset values are shown in hexadecimal.

**TABLE 4-28: PORTA REGISTER MAP FOR dsPIC33FJ32(GP/MC)101/102 DEVICES**

| File Name | Addr | Bit 15 | Bit 14 | Bit 13 | Bit 12 | Bit 11 | Bit 10 | Bit 9 | Bit 8 | Bit 7 | Bit 6 | Bit 5 | Bit 4  | Bit 3  | Bit 2  | Bit 1  | Bit 0  | All Resets |
|-----------|------|--------|--------|--------|--------|--------|--------|-------|-------|-------|-------|-------|--------|--------|--------|--------|--------|------------|
| TRISA     | 02C0 | —      | —      | —      | —      | —      | —      | —     | —     | —     | —     | —     | TRISA4 | TRISA3 | TRISA2 | TRISA1 | TRISA0 | 001F       |
| PORTA     | 02C2 | —      | —      | —      | —      | —      | —      | —     | —     | —     | —     | —     | RA4    | RA3    | RA2    | RA1    | RA0    | xxxx       |
| LATA      | 02C4 | —      | —      | —      | —      | —      | —      | —     | —     | —     | —     | —     | LATA4  | LATA3  | LATA2  | LATA1  | LATA0  | xxxx       |
| ODCA      | 02C6 | —      | —      | —      | —      | —      | —      | —     | —     | —     | —     | —     | —      | ODCA3  | ODCA2  | —      | —      | 0000       |

**Legend:** x = unknown value on Reset, — = unimplemented, read as '0'. Reset values are shown in hexadecimal.

**TABLE 4-29: PORTA REGISTER MAP FOR dsPIC33FJ32(GP/MC)104 DEVICES**

| File Name | Addr | Bit 15 | Bit 14 | Bit 13 | Bit 12 | Bit 11 | Bit 10  | Bit 9  | Bit 8  | Bit 7  | Bit 6 | Bit 5 | Bit 4  | Bit 3  | Bit 2  | Bit 1  | Bit 0  | All Resets |
|-----------|------|--------|--------|--------|--------|--------|---------|--------|--------|--------|-------|-------|--------|--------|--------|--------|--------|------------|
| TRISA     | 02C0 | —      | —      | —      | —      | —      | TRISA10 | TRISA9 | TRISA8 | TRISA7 | —     | —     | TRISA4 | TRISA3 | TRISA2 | TRISA1 | TRISA0 | 001F       |
| PORTA     | 02C2 | —      | —      | —      | —      | —      | RA10    | RA9    | RA8    | RA7    | —     | —     | RA4    | RA3    | RA2    | RA1    | RA0    | xxxx       |
| LATA      | 02C4 | —      | —      | —      | —      | —      | LATA10  | LATA9  | LATA8  | LATA7  | —     | —     | LATA4  | LATA3  | LATA2  | LATA1  | LATA0  | xxxx       |
| ODCA      | 02C6 | —      | —      | —      | —      | —      | ODCA10  | ODCA9  | ODCA8  | ODCA7  | —     | —     | —      | ODCA3  | ODCA2  | —      | —      | 0000       |

**Legend:** x = unknown value on Reset, — = unimplemented, read as '0'. Reset values are shown in hexadecimal.

**TABLE 4-30: PORTB REGISTER MAP FOR dsPIC33FJ16GP101 DEVICES**

| File Name | Addr | Bit 15  | Bit 14  | Bit 13 | Bit 12 | Bit 11 | Bit 10 | Bit 9  | Bit 8  | Bit 7  | Bit 6 | Bit 5 | Bit 4  | Bit 3 | Bit 2 | Bit 1  | Bit 0  | All Resets |
|-----------|------|---------|---------|--------|--------|--------|--------|--------|--------|--------|-------|-------|--------|-------|-------|--------|--------|------------|
| TRISB     | 02C8 | TRISB15 | TRISB14 | —      | —      | —      | —      | TRISB9 | TRISB8 | TRISB7 | —     | —     | TRISB4 | —     | —     | TRISB1 | TRISB0 | C393       |
| PORTB     | 02CA | RB15    | RB14    | —      | —      | —      | —      | RB9    | RB8    | RB7    | —     | —     | RB4    | —     | —     | RB1    | RB0    | xxxx       |
| LATB      | 02CC | LATB15  | LATB14  | —      | —      | —      | —      | LATB9  | LATB8  | LATB7  | —     | —     | LATB4  | —     | —     | LATB1  | LATB0  | xxxx       |
| ODCB      | 02CE | ODCB15  | ODCB14  | —      | —      | —      | —      | ODCB9  | ODCB8  | ODCB7  | —     | —     | ODCB4  | —     | —     | —      | —      | 0000       |

**Legend:** x = unknown value on Reset, — = unimplemented, read as '0'. Reset values are shown in hexadecimal.

**TABLE 4-31: PORTB REGISTER MAP FOR dsPIC33FJ16MC101 DEVICES**

| File Name | Addr | Bit 15  | Bit 14  | Bit 13  | Bit 12  | Bit 11 | Bit 10 | Bit 9  | Bit 8  | Bit 7  | Bit 6 | Bit 5 | Bit 4  | Bit 3 | Bit 2 | Bit 1  | Bit 0  | All Resets |
|-----------|------|---------|---------|---------|---------|--------|--------|--------|--------|--------|-------|-------|--------|-------|-------|--------|--------|------------|
| TRISB     | 02C8 | TRISB15 | TRISB14 | TRISB13 | TRISB12 | —      | —      | TRISB9 | TRISB8 | TRISB7 | —     | —     | TRISB4 | —     | —     | TRISB1 | TRISB0 | F393       |
| PORTB     | 02CA | RB15    | RB14    | RB13    | RB12    | —      | —      | RB9    | RB8    | RB7    | —     | —     | RB4    | —     | —     | RB1    | RB0    | xxxx       |
| LATB      | 02CC | LATB15  | LATB14  | LATB13  | LATB12  | —      | —      | LATB9  | LATB8  | LATB7  | —     | —     | LATB4  | —     | —     | LATB1  | LATB0  | xxxx       |
| ODCB      | 02CE | ODCB15  | ODCB14  | ODCB13  | ODCB12  | —      | —      | ODCB9  | ODCB8  | ODCB7  | —     | —     | ODCB4  | —     | —     | —      | —      | 0000       |

**Legend:** x = unknown value on Reset, — = unimplemented, read as '0'. Reset values are shown in hexadecimal.

**TABLE 4-32: PORTB REGISTER MAP FOR dsPIC33FJ16(GP/MC)102 DEVICES**

| File Name | Addr | Bit 15  | Bit 14  | Bit 13  | Bit 12  | Bit 11  | Bit 10  | Bit 9  | Bit 8  | Bit 7  | Bit 6  | Bit 5  | Bit 4  | Bit 3  | Bit 2  | Bit 1  | Bit 0  | All Resets |
|-----------|------|---------|---------|---------|---------|---------|---------|--------|--------|--------|--------|--------|--------|--------|--------|--------|--------|------------|
| TRISB     | 02C8 | TRISB15 | TRISB14 | TRISB13 | TRISB12 | TRISB11 | TRISB10 | TRISB9 | TRISB8 | TRISB7 | TRISB6 | TRISB5 | TRISB4 | TRISB3 | TRISB2 | TRISB1 | TRISB0 | FFFF       |
| PORTB     | 02CA | RB15    | RB14    | RB13    | RB12    | RB11    | RB10    | RB9    | RB8    | RB7    | RB6    | RB5    | RB4    | RB3    | RB2    | RB1    | RB0    | xxxx       |
| LATB      | 02CC | LATB15  | LATB14  | LATB13  | LATB12  | LATB11  | LATB10  | LATB9  | LATB8  | LATB7  | LATB6  | LATB5  | LATB4  | LATB3  | LATB2  | LATB1  | LATB0  | xxxx       |
| ODCB      | 02CE | ODCB15  | ODCB14  | ODCB13  | ODCB12  | ODCB11  | ODCB10  | ODCB9  | ODCB8  | ODCB7  | ODCB6  | ODCB5  | ODCB4  | —      | —      | —      | —      | 0000       |

**Legend:** x = unknown value on Reset, — = unimplemented, read as '0'. Reset values are shown in hexadecimal.

**TABLE 4-33: PORTB REGISTER MAP FOR dsPIC33FJ32GP101 DEVICES**

| File Name | Addr | Bit 15  | Bit 14  | Bit 13 | Bit 12 | Bit 11 | Bit 10 | Bit 9  | Bit 8  | Bit 7  | Bit 6 | Bit 5 | Bit 4  | Bit 3 | Bit 2 | Bit 1  | Bit 0  | All Resets |
|-----------|------|---------|---------|--------|--------|--------|--------|--------|--------|--------|-------|-------|--------|-------|-------|--------|--------|------------|
| TRISB     | 02C8 | TRISB15 | TRISB14 | —      | —      | —      | —      | TRISB9 | TRISB8 | TRISB7 | —     | —     | TRISB4 | —     | —     | TRISB1 | TRISB0 | C393       |
| PORTB     | 02CA | RB15    | RB14    | —      | —      | —      | —      | RB9    | RB8    | RB7    | —     | —     | RB4    | —     | —     | RB1    | RB0    | xxxx       |
| LATB      | 02CC | LATB15  | LATB14  | —      | —      | —      | —      | LATB9  | LATB8  | LATB7  | —     | —     | LATB4  | —     | —     | LATB1  | LATB0  | xxxx       |
| ODCB      | 02CE | ODCB15  | ODCB14  | —      | —      | —      | —      | ODCB9  | ODCB8  | ODCB7  | —     | —     | —      | —     | —     | —      | —      | 0000       |

**Legend:** x = unknown value on Reset, — = unimplemented, read as '0'. Reset values are shown in hexadecimal

**TABLE 4-34: PORTB REGISTER MAP FOR dsPIC33FJ32MC101 DEVICES**

| File Name | Addr | Bit 15  | Bit 14  | Bit 13  | Bit 12  | Bit 11 | Bit 10 | Bit 9  | Bit 8  | Bit 7  | Bit 6 | Bit 5 | Bit 4  | Bit 3 | Bit 2 | Bit 1  | Bit 0  | All Resets |
|-----------|------|---------|---------|---------|---------|--------|--------|--------|--------|--------|-------|-------|--------|-------|-------|--------|--------|------------|
| TRISB     | 02C8 | TRISB15 | TRISB14 | TRISB13 | TRISB12 | —      | —      | TRISB9 | TRISB8 | TRISB7 | —     | —     | TRISB4 | —     | —     | TRISB1 | TRISB0 | F393       |
| PORTB     | 02CA | RB15    | RB14    | RB13    | RB12    | —      | —      | RB9    | RB8    | RB7    | —     | —     | RB4    | —     | —     | RB1    | RB0    | xxxx       |
| LATB      | 02CC | LATB15  | LATB14  | LATB13  | LATB12  | —      | —      | LATB9  | LATB8  | LATB7  | —     | —     | LATB4  | —     | —     | LATB1  | LATB0  | xxxx       |
| ODCB      | 02CE | ODCB15  | ODCB14  | ODCB13  | ODCB12  | —      | —      | ODCB9  | ODCB8  | ODCB7  | —     | —     | —      | —     | —     | —      | —      | 0000       |

**Legend:** x = unknown value on Reset, — = unimplemented, read as '0'. Reset values are shown in hexadecimal

**TABLE 4-35: PORTB REGISTER MAP FOR dsPIC33FJ32(GP/MC)102 AND dsPIC33FJ32(GP/MC)104 DEVICES**

| File Name | Addr | Bit 15  | Bit 14  | Bit 13  | Bit 12  | Bit 11  | Bit 10  | Bit 9  | Bit 8  | Bit 7  | Bit 6  | Bit 5  | Bit 4  | Bit 3  | Bit 2  | Bit 1  | Bit 0  | All Resets |
|-----------|------|---------|---------|---------|---------|---------|---------|--------|--------|--------|--------|--------|--------|--------|--------|--------|--------|------------|
| TRISB     | 02C8 | TRISB15 | TRISB14 | TRISB13 | TRISB12 | TRISB11 | TRISB10 | TRISB9 | TRISB8 | TRISB7 | TRISB6 | TRISB5 | TRISB4 | TRISB3 | TRISB2 | TRISB1 | TRISB0 | FFFF       |
| PORTB     | 02CA | RB15    | RB14    | RB13    | RB12    | RB11    | RB10    | RB9    | RB8    | RB7    | RB6    | RB5    | RB4    | RB3    | RB2    | RB1    | RB0    | xxxx       |
| LATB      | 02CC | LATB15  | LATB14  | LATB13  | LATB12  | LATB11  | LATB10  | LATB9  | LATB8  | LATB7  | LATB6  | LATB5  | LATB4  | LATB3  | LATB2  | LATB1  | LATB0  | xxxx       |
| ODCB      | 02CE | ODCB15  | ODCB14  | ODCB13  | ODCB12  | ODCB11  | ODCB10  | ODCB9  | ODCB8  | ODCB7  | ODCB6  | ODCB5  | —      | —      | —      | —      | —      | 0000       |

**Legend:** x = unknown value on Reset, — = unimplemented, read as '0'. Reset values are shown in hexadecimal.

**TABLE 4-36: PORTC REGISTER MAP FOR dsPIC33FJ32(GP/MC)104 DEVICES**

| File Name | Addr | Bit 15 | Bit 14 | Bit 13 | Bit 12 | Bit 11 | Bit 10 | Bit 9  | Bit 8  | Bit 7  | Bit 6  | Bit 5  | Bit 4  | Bit 3  | Bit 2  | Bit 1  | Bit 0  | All Resets |
|-----------|------|--------|--------|--------|--------|--------|--------|--------|--------|--------|--------|--------|--------|--------|--------|--------|--------|------------|
| TRISC     | 02D8 | —      | —      | —      | —      | —      | —      | TRISC9 | TRISC8 | TRISC7 | TRISC6 | TRISC5 | TRISC4 | TRISC3 | TRISC2 | TRISC1 | TRISC0 | FFFF       |
| PORTC     | 02DA | —      | —      | —      | —      | —      | —      | RC9    | RC8    | RC7    | RC6    | RC5    | RC4    | RC3    | RC2    | RC1    | RC0    | xxxx       |
| LATC      | 02DC | —      | —      | —      | —      | —      | —      | LATC9  | LATC8  | LATC7  | LATC6  | LATC5  | LATC4  | LATC3  | LATC2  | LATC1  | LATC0  | xxxx       |
| ODCC      | 02DE | —      | —      | —      | —      | —      | —      | ODCC9  | ODCC8  | ODCC7  | ODCC6  | —      | —      | —      | —      | —      | —      | 0000       |

**Legend:** x = unknown value on Reset, — = unimplemented, read as '0'. Reset values are shown in hexadecimal.

**TABLE 4-37: SYSTEM CONTROL REGISTER MAP**

| File Name | Addr | Bit 15 | Bit 14    | Bit 13 | Bit 12 | Bit 11 | Bit 10      | Bit 9 | Bit 8 | Bit 7   | Bit 6  | Bit 5  | Bit 4    | Bit 3 | Bit 2 | Bit 1   | Bit 0 | All Resets          |
|-----------|------|--------|-----------|--------|--------|--------|-------------|-------|-------|---------|--------|--------|----------|-------|-------|---------|-------|---------------------|
| RCON      | 0740 | TRAPR  | IOPUWR    | —      | —      | —      | —           | CM    | VREGS | EXTR    | SWR    | SWDTEN | WDTO     | SLEEP | IDLE  | BOR     | POR   | xxxx <sup>(1)</sup> |
| OSCCON    | 0742 | —      | COSC<2:0> |        |        | —      | NOSC<2:0>   |       |       | CLKLOCK | IOLOCK | LOCK   | —        | CF    | —     | LPOSCEN | OSWEN | 0300 <sup>(2)</sup> |
| CLKDIV    | 0744 | ROI    | DOZE<2:0> |        |        | DOZEN  | FRCDIV<2:0> |       |       | —       | —      | —      | —        | —     | —     | —       | —     | 3040                |
| OSCTUN    | 0748 | —      | —         | —      | —      | —      | —           | —     | —     | —       | —      | —      | TUN<5:0> |       |       |         | 0000  |                     |

**Legend:** x = unknown value on Reset, — = unimplemented, read as '0'. Reset values are shown in hexadecimal.

**Note 1:** RCON register Reset values are dependent on the type of Reset.

**2:** OSCCON register Reset values are dependent on the FOSC Configuration bits and by type of Reset.

**TABLE 4-38: NVM REGISTER MAP**

| File Name | Addr | Bit 15 | Bit 14 | Bit 13 | Bit 12 | Bit 11 | Bit 10 | Bit 9 | Bit 8 | Bit 7       | Bit 6 | Bit 5 | Bit 4 | Bit 3      | Bit 2 | Bit 1 | Bit 0               | All Resets |
|-----------|------|--------|--------|--------|--------|--------|--------|-------|-------|-------------|-------|-------|-------|------------|-------|-------|---------------------|------------|
| NVMCON    | 0760 | WR     | WREN   | WRERR  | —      | —      | —      | —     | —     | —           | ERASE | —     | —     | NVMOP<3:0> |       |       | 0000 <sup>(1)</sup> |            |
| NVMKEY    | 0766 | —      | —      | —      | —      | —      | —      | —     | —     | NVMKEY<7:0> |       |       |       |            |       |       | 0000                |            |

**Legend:** x = unknown value on Reset, — = unimplemented, read as '0'. Reset values are shown in hexadecimal.

**Note 1:** Reset value shown is for POR only. Value on other Reset states is dependent on the state of memory write or erase operations at the time of Reset.

**TABLE 4-39: PMD REGISTER MAP**

| File Name | Addr | Bit 15              | Bit 14              | Bit 13 | Bit 12 | Bit 11 | Bit 10 | Bit 9                 | Bit 8 | Bit 7  | Bit 6 | Bit 5 | Bit 4 | Bit 3  | Bit 2  | Bit 1 | Bit 0 | All Resets |
|-----------|------|---------------------|---------------------|--------|--------|--------|--------|-----------------------|-------|--------|-------|-------|-------|--------|--------|-------|-------|------------|
| PMD1      | 0770 | T5MD <sup>(2)</sup> | T4MD <sup>(2)</sup> | T3MD   | T2MD   | T1MD   | —      | PWM1MD <sup>(1)</sup> | —     | I2C1MD | —     | U1MD  | —     | SP11MD | —      | —     | AD1MD | 0000       |
| PMD2      | 0772 | —                   | —                   | —      | —      | —      | IC3MD  | IC2MD                 | IC1MD | —      | —     | —     | —     | —      | —      | OC2MD | OC1MD | 0000       |
| PMD3      | 0774 | —                   | —                   | —      | —      | —      | CMPMD  | RTCCMD                | —     | —      | —     | —     | —     | —      | —      | —     | —     | 0000       |
| PMD4      | 0776 | —                   | —                   | —      | —      | —      | —      | —                     | —     | —      | —     | —     | —     | —      | CTMUMD | —     | —     | 0000       |

**Legend:** x = unknown value on Reset, — = unimplemented, read as '0'. Reset values are shown in hexadecimal.

**Note 1:** This bit is available in dsPIC33FJXXMC10X devices only.

**2:** This bit is available in dsPIC33FJ32(GP/MC)10X devices only.



## 4.2.6 SOFTWARE STACK

In addition to its use as a working register, the W15 register in the dsPIC33FJ16(GP/MC)101/102 and dsPIC33FJ32(GP/MC)101/102/104 devices is also used as a software Stack Pointer. The Stack Pointer always points to the first available free word and grows from lower to higher addresses. It pre-decrements for stack pops and post-increments for stack pushes, as shown in Figure 4-6. For a PC push during any CALL instruction, the MSb of the PC is zero-extended before the push, ensuring that the MSb is always clear.

**Note:** A PC push during exception processing concatenates the SRL register to the MSb of the PC prior to the push.

The Stack Pointer Limit register (SPLIM) associated with the Stack Pointer sets an upper address boundary for the stack. SPLIM is uninitialized at Reset. As is the case for the Stack Pointer, SPLIM<0> is forced to '0' because all stack operations must be word-aligned.

Whenever an EA is generated using W15 as a source or destination pointer, the resulting address is compared with the value in SPLIM. If the contents of the Stack Pointer (W15) and the SPLIM register are equal and a push operation is performed, a stack error trap will not occur. However, the stack error trap will occur on a subsequent push operation. For example, to cause a stack error trap when the stack grows beyond address 0x0C00 in RAM, initialize the SPLIM with the value 0x0BFE.

Similarly, a Stack Pointer underflow (stack error) trap is generated when the Stack Pointer address is found to be less than 0x0800. This prevents the stack from interfering with the SFR space.

A write to the SPLIM register should not be immediately followed by an indirect read operation using W15.

**FIGURE 4-6: CALL STACK FRAME**



## 4.2.7 DATA RAM PROTECTION FEATURE

The dsPIC33F product family supports Data RAM protection features that enable segments of RAM to be protected when used in conjunction with Boot and Secure Code Segment Security. BSRAM (Secure RAM Segment for BS) is accessible only from the Boot Segment Flash code when enabled. SSRAM (Secure RAM Segment for RAM) is accessible only from the Secure Segment Flash code when enabled. See Table 4-1 for an overview of the BSRAM and SSRAM SFRs.

## 4.3 Instruction Addressing Modes

The addressing modes shown in Table 4-40 form the basis of the addressing modes that are optimized to support the specific features of individual instructions. The addressing modes provided in the MAC class of instructions differ from those provided in other instruction types.

### 4.3.1 FILE REGISTER INSTRUCTIONS

Most file register instructions use a 13-bit address field (f) to directly address data present in the first 8192 bytes of data memory (near data space). Most file register instructions employ a working register, W0, which is denoted as WREG in these instructions. The destination is typically either the same file register or WREG (with the exception of the MUL instruction), which writes the result to a register or register pair. The MOV instruction allows additional flexibility and can access the entire data space.

### 4.3.2 MCU INSTRUCTIONS

The three-operand MCU instructions are of the form:

Operand 3 = Operand 1 <function> Operand 2

where Operand 1 is always a working register (that is, the addressing mode can only be register direct), which is referred to as Wb. Operand 2 can be a W register, fetched from data memory, or a 5-bit literal. The result location can be either a W register or a data memory location. The following addressing modes are supported by MCU instructions:

- Register Direct
- Register Indirect
- Register Indirect Post-Modified
- Register Indirect Pre-Modified
- 5-Bit or 10-Bit Literal

**Note:** Not all instructions support all of the addressing modes given above. Individual instructions can support different subsets of these addressing modes.

**TABLE 4-40: FUNDAMENTAL ADDRESSING MODES SUPPORTED**

| Addressing Mode   | Description  |
|---|--|
| File Register Direct                                      | The address of the file register is specified explicitly.  |
| Register Direct   | The contents of a register are accessed directly.  |
| Register Indirect   | The contents of Wn forms the Effective Address (EA).   |
| Register Indirect Post-Modified                           | The contents of Wn forms the EA. Wn is post-modified (incremented or decremented) by a constant value. |
| Register Indirect Pre-Modified                            | Wn is pre-modified (incremented or decremented) by a signed constant value to form the EA.             |
| Register Indirect with Register Offset (Register Indexed) | The sum of Wn and Wb forms the EA.   |
| Register Indirect with Literal Offset                     | The sum of Wn and a literal forms the EA.  |

### 4.3.3 MOVE AND ACCUMULATOR INSTRUCTIONS

Move instructions and the DSP accumulator class of instructions provide a greater degree of addressing flexibility than other instructions. In addition to the addressing modes supported by most MCU instructions, move and accumulator instructions also support Register Indirect with Register Offset Addressing mode, also referred to as Register Indexed mode.

**Note:** For the *MOV* instructions, the addressing mode specified in the instruction can differ for the source and destination EA. However, the 4-bit Wb (Register Offset) field is shared by both source and destination (but typically only used by one).

In summary, the following addressing modes are supported by move and accumulator instructions:

- Register Direct
- Register Indirect
- Register Indirect Post-modified
- Register Indirect Pre-modified
- Register Indirect with Register Offset (Indexed)
- Register Indirect with Literal Offset
- 8-Bit Literal
- 16-Bit Literal

**Note:** Not all instructions support all the addressing modes given above. Individual instructions may support different subsets of these addressing modes.

### 4.3.4 MAC INSTRUCTIONS

The dual source operand DSP instructions (*CLR*, *ED*, *EDAC*, *MAC*, *MPY*, *MPY.N*, *MOVSAC*, and *MSC*), also referred to as *MAC* instructions, use a simplified set of addressing modes to allow the user application to effectively manipulate the Data Pointers through register indirect tables.

The two-source operand prefetch registers must be members of the set {W8, W9, W10, W11}. For data reads, W8 and W9 are always directed to the X RAGU, and W10 and W11 are always directed to the Y AGU. The Effective Addresses generated (before and after modification) must, therefore, be valid addresses within X data space for W8 and W9 and Y data space for W10 and W11.

**Note:** Register Indirect with Register Offset Addressing mode is available only for W9 (in X space) and W11 (in Y space).

In summary, the following addressing modes are supported by the *MAC* class of instructions:

- Register Indirect
- Register Indirect Post-Modified by 2
- Register Indirect Post-Modified by 4
- Register Indirect Post-Modified by 6
- Register Indirect with Register Offset (Indexed)

### 4.3.5 OTHER INSTRUCTIONS

In addition to the addressing modes outlined previously, some instructions use literal constants of various sizes. For example, *BRA* (branch) instructions use 16-bit signed literals to specify the branch destination directly, whereas the *DISI* instruction uses a 14-bit unsigned literal field. In some instructions, such as *ADD Acc*, the source of an operand or result is implied by the opcode itself. Certain operations, such as *NOP*, do not have any operands.

## 4.4 Modulo Addressing

Modulo Addressing mode is a method of providing an automated means to support circular data buffers using hardware. The objective is to remove the need for software to perform data address boundary checks when executing tightly looped code, as is typical in many DSP algorithms.

Modulo Addressing can operate in either data or program space (since the Data Pointer mechanism is essentially the same for both). One circular buffer can be supported in each of the X (which also provides the pointers into program space) and Y data spaces. Modulo Addressing can operate on any W Register Pointer. However, it is not advisable to use W14 or W15 for Modulo Addressing since these two registers are used as the Stack Frame Pointer and Stack Pointer, respectively.

In general, any particular circular buffer can be configured to operate in only one direction as there are certain restrictions on the buffer start address (for incrementing buffers), or end address (for decrementing buffers), based upon the direction of the circular buffer.

The only exception to the usage restrictions is for buffers that have a power-of-two length. As these buffers satisfy the start and end address criteria, they can operate in a bidirectional mode (that is, address boundary checks are performed on both the lower and upper address boundaries).

### 4.4.1 START AND END ADDRESS

The Modulo Addressing scheme requires that a starting and ending address be specified and loaded into the 16-bit Modulo Buffer Address registers: XMODSRT, XMODEND, YMODSRT, and YMODEND (see [Table 4-1](#)).

**Note:** Y space Modulo Addressing EA calculations assume word-sized data (LSb of every EA is always clear).

The length of a circular buffer is not directly specified. It is determined by the difference between the corresponding start and end addresses. The maximum possible length of the circular buffer is 32K words (64 Kbytes).

### 4.4.2 W ADDRESS REGISTER SELECTION

- The Modulo and Bit-Reversed Addressing Control register, MODCON<15:0>, contains enable flags as well as a W register field to specify the W Address registers. The XWM and YWM fields select which registers will operate with Modulo Addressing.
- If XWM = 15, X RAGU and X WAGU Modulo Addressing is disabled.
- If YWM = 15, Y AGU Modulo Addressing is disabled.

The X Address Space Pointer W register (XWM), to which Modulo Addressing is to be applied, is stored in MODCON<3:0> (see [Table 4-1](#)). Modulo Addressing is enabled for X data space when XWM is set to any value other than '15' and the XMODEN bit is set at MODCON<15>.

The Y Address Space Pointer W register (YWM) to which Modulo Addressing is to be applied is stored in MODCON<7:4>. Modulo Addressing is enabled for Y data space when YWM is set to any value other than '15' and the YMODEN bit is set at MODCON<14>.

**FIGURE 4-7: MODULO ADDRESSING OPERATION EXAMPLE**



## 4.4.3 MODULO ADDRESSING APPLICABILITY

Modulo Addressing can be applied to the Effective Address (EA) calculation associated with any W register. Address boundaries check for addresses equal to:

- The upper boundary addresses for incrementing buffers
- The lower boundary addresses for decrementing buffers

It is important to realize that the address boundaries check for addresses less than or greater than the upper (for incrementing buffers) and lower (for decrementing buffers) boundary addresses (not just equal to). Address changes can, therefore, jump beyond boundaries and still be adjusted correctly.

**Note:** The modulo corrected Effective Address is written back to the register only when Pre-Modify or Post-Modify Addressing mode is used to compute the Effective Address. When an address offset (such as  $[W7 + W2]$ ) is used, Modulo Address correction is performed, but the contents of the register remain unchanged.

## 4.5 Bit-Reversed Addressing

Bit-Reversed Addressing mode is intended to simplify data reordering for radix-2 FFT algorithms. It is supported by the X AGU for data writes only.

The modifier, which can be a constant value or register contents, is regarded as having its bit order reversed. The address source and destination are kept in normal order. Thus, the only operand requiring reversal is the modifier.

## 4.5.1 BIT-REVERSED ADDRESSING IMPLEMENTATION

Bit-Reversed Addressing mode is enabled in any of these situations:

- BWM bits (W register selection) in the MODCON register are any value other than '15' (the stack cannot be accessed using Bit-Reversed Addressing)
- The BREN bit is set in the XBREV register
- The addressing mode used is Register Indirect with Pre-Increment or Post-Increment

If the length of a bit-reversed buffer is  $M = 2^N$  bytes, the last 'N' bits of the data buffer start address must be zeros.

$XB<14:0>$  is the Bit-Reversed Address modifier, or 'pivot point,' which is typically a constant. In the case of an FFT computation, its value is equal to half of the FFT data buffer size.

**Note:** All bit-reversed EA calculations assume word-sized data (LSb of every EA is always clear). The XB value is scaled accordingly to generate compatible (byte) addresses.

When enabled, Bit-Reversed Addressing is executed only for Register Indirect with Pre-Increment or Post-Increment Addressing and word-sized data writes. It will not function for any other addressing mode or for byte-sized data and normal addresses are generated instead. When Bit-Reversed Addressing is active, the W Address Pointer is always added to the address modifier (XB) and the offset associated with the Register Indirect Addressing mode is ignored. In addition, as word-sized data is a requirement, the LSb of the EA is ignored (and always clear).

**Note:** Modulo Addressing and Bit-Reversed Addressing should not be enabled together. If an application attempts to do so, Bit-Reversed Addressing will assume priority, when active, for the X WAGU, and X WAGU, Modulo Addressing will be disabled. However, Modulo Addressing will continue to function in the X RAGU.

If Bit-Reversed Addressing has already been enabled by setting the BREN (XBREV<15>) bit, a write to the XBREV register should not be immediately followed by an indirect read operation using the W register that has been designated as the Bit-Reversed Pointer.

**FIGURE 4-8: BIT-REVERSED ADDRESS EXAMPLE**



**TABLE 4-41: BIT-REVERSED ADDRESS SEQUENCE (16-ENTRY)**

| Normal Address |    |    |    |         | Bit-Reversed Address |    |    |    |         |
|----------------|----|----|----|---------|----------------------|----|----|----|---------|
| A3             | A2 | A1 | A0 | Decimal | A3                   | A2 | A1 | A0 | Decimal |
| 0              | 0  | 0  | 0  | 0       | 0                    | 0  | 0  | 0  | 0       |
| 0              | 0  | 0  | 1  | 1       | 1                    | 0  | 0  | 0  | 8       |
| 0              | 0  | 1  | 0  | 2       | 0                    | 1  | 0  | 0  | 4       |
| 0              | 0  | 1  | 1  | 3       | 1                    | 1  | 0  | 0  | 12      |
| 0              | 1  | 0  | 0  | 4       | 0                    | 0  | 1  | 0  | 2       |
| 0              | 1  | 0  | 1  | 5       | 1                    | 0  | 1  | 0  | 10      |
| 0              | 1  | 1  | 0  | 6       | 0                    | 1  | 1  | 0  | 6       |
| 0              | 1  | 1  | 1  | 7       | 1                    | 1  | 1  | 0  | 14      |
| 1              | 0  | 0  | 0  | 8       | 0                    | 0  | 0  | 1  | 1       |
| 1              | 0  | 0  | 1  | 9       | 1                    | 0  | 0  | 1  | 9       |
| 1              | 0  | 1  | 0  | 10      | 0                    | 1  | 0  | 1  | 5       |
| 1              | 0  | 1  | 1  | 11      | 1                    | 1  | 0  | 1  | 13      |
| 1              | 1  | 0  | 0  | 12      | 0                    | 0  | 1  | 1  | 3       |
| 1              | 1  | 0  | 1  | 13      | 1                    | 0  | 1  | 1  | 11      |
| 1              | 1  | 1  | 0  | 14      | 0                    | 1  | 1  | 1  | 7       |
| 1              | 1  | 1  | 1  | 15      | 1                    | 1  | 1  | 1  | 15      |

## 4.6 Interfacing Program and Data Memory Spaces

The dsPIC33FJ16(GP/MC)101/102 and dsPIC33FJ32(GP/MC)101/102/104 architecture uses a 24-bit-wide program space and a 16-bit-wide data space. The architecture is also a modified Harvard scheme, meaning that data can also be present in the program space. To use this data successfully, it must be accessed in a way that preserves the alignment of information in both spaces.

Aside from normal execution, the dsPIC33FJ16(GP/MC)101/102 and dsPIC33FJ32(GP/MC)101/102/104 architecture provides two methods by which program space can be accessed during operation:

- Using table instructions to access individual bytes, or words, anywhere in the program space
- Remapping a portion of the program space into the data space (Program Space Visibility)

Table instructions allow an application to read or write to small areas of the program memory. This capability makes the method ideal for accessing data tables that need to be updated periodically. It also allows access to all bytes of the program word. The remapping method allows an application to access a large block of data on a read-only basis, which is ideal for lookups from a large table of static data. The application can only access the lsw of the program word.

### 4.6.1 ADDRESSING PROGRAM SPACE

Since the address ranges for the data and program spaces are 16 and 24 bits, respectively, a method is needed to create a 23-bit or 24-bit program address from 16-bit data registers. The solution depends on the interface method to be used.

For table operations, the 8-bit Table Page register (TBLPAG) is used to define a 32K word region within the program space. This is concatenated with a 16-bit EA to arrive at a full 24-bit program space address. In this format, the MSb of TBLPAG is used to determine if the operation occurs in the user memory (TBLPAG<7> = 0) or the configuration memory (TBLPAG<7> = 1).

For remapping operations, the 8-bit Program Space Visibility register (PSVPAG) is used to define a 16K word page in the program space. When the MSb of the EA is '1', PSVPAG is concatenated with the lower 15 bits of the EA to form a 23-bit program space address. Unlike table operations, this limits remapping operations strictly to the user memory area.

Table 4-42 and Figure 4-9 show how the program EA is created for table operations and remapping accesses from the data EA.

**TABLE 4-42: PROGRAM SPACE ADDRESS CONSTRUCTION**

| Access Type                                    | Access Space  | Program Space Address              |                                  |               |                              |     |
|--|---------------|------------------------------------|----------------------------------|---------------|------------------------------|-----|
|  |               | <23>                               | <22:16>                          | <15>          | <14:1>                       | <0> |
| Instruction Access<br>(Code Execution)         | User          | 0                                  | PC<22:1>                         |               |                              | 0   |
|  |               | 0xx xxxx xxxxx xxxxx xxxxx xxx0    |                                  |               |                              |     |
| TBLRD/TBLWT<br>(Byte/Word Read/Write)          | User          | TBLPAG<7:0>                        |                                  | Data EA<15:0> |                              |     |
|  |               | 0xxx xxxxx xxxxx xxxxx xxxxx xxxxx |                                  |               |                              |     |
|  | Configuration | TBLPAG<7:0>                        |                                  | Data EA<15:0> |                              |     |
|  |               | 1xxx xxxxx xxxxx xxxxx xxxxx xxxxx |                                  |               |                              |     |
| Program Space Visibility<br>(Block Remap/Read) | User          | 0                                  | PSVPAG<7:0>                      |               | Data EA<14:0> <sup>(1)</sup> |     |
|  |               | 0                                  | xxxx xxxxx xxx xxxxx xxxxx xxxxx |               |                              |     |

**Note 1:** Data EA<15> is always '1' in this case, but is not used in calculating the program space address. Bit 15 of the address is PSVPAG<0>.

**FIGURE 4-9: DATA ACCESS FROM PROGRAM SPACE ADDRESS GENERATION**





4.6.2 DATA ACCESS FROM PROGRAM MEMORY USING TABLE INSTRUCTIONS

The TBLRDL and TBLWTL instructions offer a direct method of reading or writing the lower word of any address within the program space without going through data space. The TBLRDH and TBLWTH instructions are the only method to read or write the upper 8 bits of a program space word as data.

The PC is incremented by two for each successive 24-bit program word. This allows program memory addresses to directly map to data space addresses. Program memory can thus be regarded as two 16-bit-wide word address spaces, residing side by side, each with the same address range. TBLRDL and TBLWTL access the space that contains the least significant data word. TBLRDH and TBLWTH access the space that contains the upper data byte.

Two table instructions are provided to move byte or word-sized (16-bit) data to and from program space. Both function as either byte or word operations.

- TBLRDL (Table Read Low):
  - In Word mode, this instruction maps the lower word of the program space location (P<15:0>) to a data address (D<15:0>).
  - In Byte mode, either the upper or lower byte of the lower program word is mapped to the lower byte of a data address. The upper byte is selected when Byte Select is '1'; the lower byte is selected when it is '0'.

- TBLRDH (Table Read High):
  - In Word mode, this instruction maps the entire upper word of a program address (P<23:16>) to a data address. Note that D<15:8>, the 'phantom byte', will always be '0'.
  - In Byte mode, this instruction maps the upper or lower byte of the program word to D<7:0> of the data address, in the TBLRDL instruction. The data is always '0' when the upper 'phantom' byte is selected (Byte Select = 1).

In a similar fashion, two table instructions, TBLWTH and TBLWTL, are used to write individual bytes or words to a program space address. The details of their operation are explained in Section 5.0 "Flash Program Memory".

For all table operations, the area of program memory space to be accessed is determined by the Table Page register (TBLPAG). TBLPAG covers the entire program memory space of the device, including user and configuration spaces. When TBLPAG<7> = 0, the table page is located in the user memory space. When TBLPAG<7> = 1, the page is located in configuration space.

FIGURE 4-10: ACCESSING PROGRAM MEMORY WITH TABLE INSTRUCTIONS



## 4.6.3 READING DATA FROM PROGRAM MEMORY USING PROGRAM SPACE VISIBILITY

The upper 32 Kbytes of data space may optionally be mapped into any 16K word page of the program space. This option provides transparent access to stored constant data from the data space without the need to use special instructions (such as `TBLRDL` and `TBLRDH`).

Program space access through the data space occurs if the MSb of the data space EA is '1' and program space visibility is enabled by setting the PSV bit in the Core Control register (`CORCON<2>`). The location of the program memory space to be mapped into the data space is determined by the Program Space Visibility Page register (`PSVPAG`). This 8-bit register defines any one of 256 possible pages of 16K words in program space. In effect, `PSVPAG` functions as the upper 8 bits of the program memory address, with the 15 bits of the EA functioning as the lower bits. By incrementing the PC by 2 for each program memory word, the lower 15 bits of data space addresses directly map to the lower 15 bits in the corresponding program space addresses.

Data reads to this area add a cycle to the instruction being executed, since two program memory fetches are required.

Although each data space address, 0x8000 and higher, maps directly into a corresponding program memory address (see Figure 4-11), only the lower 16 bits of the

24-bit program word are used to contain the data. The upper 8 bits of any program space location used as data should be programmed with '1111 1111' or '0000 0000' to force a `NOB`. This prevents possible issues should the area of code ever be accidentally executed.

**Note:** PSV access is temporarily disabled during table reads/writes.

For operations that use PSV and are executed outside a `REPEAT` loop, the `MOV` and `MOV.D` instructions require one instruction cycle in addition to the specified execution time. All other instructions require two instruction cycles in addition to the specified execution time.

For operations that use PSV, and are executed inside a `REPEAT` loop, these instances require two instruction cycles in addition to the specified execution time of the instruction:

- Execution in the first iteration
- Execution in the last iteration
- Execution prior to exiting the loop due to an interrupt
- Execution upon re-entering the loop after an interrupt is serviced

Any other iteration of the `REPEAT` loop will allow the instruction using PSV to access data, to execute in a single cycle.

**FIGURE 4-11: PROGRAM SPACE VISIBILITY OPERATION**



## 5.0 FLASH PROGRAM MEMORY

**Note 1:** This data sheet summarizes the features of the dsPIC33FJ16(GP/MC)101/102 and dsPIC33FJ32(GP/MC)101/102/104 family devices. It is not intended to be a comprehensive reference source. To complement the information in this data sheet, refer to **Section 5. “Flash Programming”** (DS70191) in the “dsPIC33F/PIC24H Family Reference Manual”, which is available from the Microchip web site ([www.microchip.com](http://www.microchip.com)).

**2:** Some registers and associated bits described in this section may not be available on all devices. Refer to **Section 4.0 “Memory Organization”** in this data sheet for device-specific register and bit information.

The dsPIC33FJ16(GP/MC)101/102 and dsPIC33FJ32(GP/MC)101/102/104 devices contain internal Flash program memory for storing and executing application code. The memory is readable, writable, and erasable during normal operation over the entire VDD range.

Flash memory can be programmed in two ways:

- In-Circuit Serial Programming™ (ICSP™) programming capability
- Run-Time Self-Programming (RTSP)

ICSP allows a device to be serially programmed while in the end application circuit. This is done with two lines for programming clock and programming data (one of the alternate programming pin pairs: PGECx/PGEDx), and three other lines for power (VDD), ground (VSS) and Master Clear (MCLR). This allows users to manufacture boards with unprogrammed devices, and then program the Digital Signal Controller just before shipping the product. This also allows the most recent firmware or a custom firmware to be programmed.

RTSP is accomplished using TBLRD (table read) and TBLWT (table write) instructions. With RTSP, the user application can write program memory data in a single program memory word, and erase program memory in blocks or ‘pages’ of 512 instructions (1536 bytes).

### 5.1 Table Instructions and Flash Programming

Regardless of the method used, all programming of Flash memory is done with the table read and table write instructions. These allow direct read and write access to the program memory space, from the data memory, while the device is in normal operating mode. The 24-bit target address in the program memory is formed using bits <7:0> of the TBLPAG register and the Effective Address (EA) from a W register specified in the table instruction, as shown in [Figure 5-1](#).

The TBLRDL and the TBLWTL instructions are used to read or write to bits<15:0> of program memory. TBLRDL and TBLWTL can access program memory in both Word and Byte modes.

The TBLRDH and TBLWTH instructions are used to read or write to bits <23:16> of program memory. TBLRDH and TBLWTH can also access program memory in Word or Byte mode.

**FIGURE 5-1: ADDRESSING FOR TABLE REGISTERS**



## 5.2 RTSP Operation

The dsPIC33FJ16(GP/MC)101/102 and dsPIC33FJ32(GP/MC)101/102/104 Flash program memory array is organized into rows of 64 instructions or 192 bytes. RTSP allows the user application to erase a page of memory, which consists of eight rows (512 instructions); and to program one word. [Table 26-12](#) shows typical erase and programming times. The 8-row erase pages are edge-aligned from the beginning of program memory, on boundaries of 1536 bytes.

## 5.3 Programming Operations

A complete programming sequence is necessary for programming or erasing the internal Flash in RTSP mode. The processor stalls (waits) until the operation is finished.

The programming time depends on the FRC accuracy (see [Table 26-18](#)) and the value of the FRC Oscillator Tuning register (see [Register 8-3](#)). Use the following formula to calculate the minimum and maximum values for the Word Write Time and Page Erase Time (see [Table 26-12](#)).

### EQUATION 5-1: PROGRAMMING TIME

$$\frac{T}{7.37 \text{ MHz} \times (\text{FRC Accuracy})\% \times (\text{FRC Tuning})\%}$$

For example, if the device is operating at +125°C, the FRC accuracy will be ±2%. If the TUN<5:0> bits (see [Register 8-3](#)) are set to `0b000000`, the minimum row write time is equal to [Equation 5-2](#).

### EQUATION 5-2: MINIMUM ROW WRITE TIME

$$T_{RW} = \frac{355 \text{ Cycles}}{7.37 \text{ MHz} \times (1 + 0.02) \times (1 - 0.00375)} = 47.4 \mu\text{s}$$

The maximum row write time is equal to [Equation 5-3](#).

### EQUATION 5-3: MAXIMUM ROW WRITE TIME

$$T_{RW} = \frac{355 \text{ Cycles}}{7.37 \text{ MHz} \times (1 - 0.02) \times (1 - 0.00375)} = 49.3 \mu\text{s}$$

Setting the WR bit (NVMCON<15>) starts the operation, and the WR bit is automatically cleared when the operation is finished.

### 5.3.1 PROGRAMMING ALGORITHM FOR FLASH PROGRAM MEMORY

Programmers can program one word (24 bits) of program Flash memory at a time. To do this, it is necessary to erase the 8-row erase page that contains the desired address of the location the user wants to change.

For protection against accidental operations, the write initiate sequence for NVMKEY must be used to allow any erase or program operation to proceed. After the programming command has been executed, the user application must wait for the programming time until programming is complete. The two instructions following the start of the programming sequence should be NOPS.

**Note:** Performing a page erase operation on the last page of program memory will clear the Flash Configuration Words, thereby enabling code protection as a result. Therefore, users should avoid performing page erase operations on the last page of program memory.

Refer to [Section 5. “Flash Programming”](#) (DS70191) in the “*dsPIC33F/PIC24H Family Reference Manual*” for details and codes examples on programming using RTSP.

## 5.4 Control Registers

Two SFRs are used to read and write the program Flash memory: NVMCON and NVMKEY.

The NVMCON register ([Register 5-1](#)) controls which blocks are to be erased, which memory type is to be programmed, and the start of the programming cycle.

NVMKEY is a write-only register that is used for write protection. To start a programming or erase sequence, the user application must consecutively write 0x55 and 0xAA to the NVMKEY register. Refer to [Section 5.3 “Programming Operations”](#) for further details.

# dsPIC33FJ16(GP/MC)101/102 AND dsPIC33FJ32(GP/MC)101/102/104

## REGISTER 5-1: NVMCON: FLASH MEMORY CONTROL REGISTER

|                       |                      |                      |     |     |     |     |       |
|-----------------------|----------------------|----------------------|-----|-----|-----|-----|-------|
| R/SO-0 <sup>(1)</sup> | R/W-0 <sup>(1)</sup> | R/W-0 <sup>(1)</sup> | U-0 | U-0 | U-0 | U-0 | U-0   |
| WR                    | WREN                 | WRERR                | —   | —   | —   | —   | —     |
| bit 15                |                      |                      |     |     |     |     | bit 8 |

|       |                      |     |     |                           |                      |                      |                      |
|-------|----------------------|-----|-----|---------------------------|----------------------|----------------------|----------------------|
| U-0   | R/W-0 <sup>(1)</sup> | U-0 | U-0 | R/W-0 <sup>(1)</sup>      | R/W-0 <sup>(1)</sup> | R/W-0 <sup>(1)</sup> | R/W-0 <sup>(1)</sup> |
| —     | ERASE                | —   | —   | NVMOP<3:0> <sup>(2)</sup> |                      |                      |                      |
| bit 7 |                      |     |     |                           |                      |                      | bit 0                |

|                   |                                    |
|-------------------|------------------------------------|
| <b>Legend:</b>    | SO = Settable Only bit             |
| R = Readable bit  | W = Writable bit                   |
| -n = Value at POR | '1' = Bit is set                   |
|                   | U = Unimplemented bit, read as '0' |
|                   | '0' = Bit is cleared               |
|                   | x = Bit is unknown                 |

- bit 15      **WR:** Write Control bit<sup>(1)</sup>  
 1 = Initiates a Flash memory program or erase operation. The operation is self-timed and the bit is cleared by hardware once operation is complete  
 0 = Program or erase operation is complete and inactive
- bit 14      **WREN:** Write Enable bit<sup>(1)</sup>  
 1 = Enables Flash program/erase operations  
 0 = Inhibits Flash program/erase operations
- bit 13      **WRERR:** Write Sequence Error Flag bit<sup>(1)</sup>  
 1 = An improper program or erase sequence attempt or termination has occurred (bit is set automatically on any set attempt of the WR bit)  
 0 = The program or erase operation completed normally
- bit 12-7    **Unimplemented:** Read as '0'
- bit 6      **ERASE:** Erase/Program Enable bit<sup>(1)</sup>  
 1 = Performs the erase operation specified by NVMOP<3:0> on the next WR command  
 0 = Performs the program operation specified by NVMOP<3:0> on the next WR command
- bit 5-4    **Unimplemented:** Read as '0'
- bit 3-0    **NVMOP<3:0>:** NVM Operation Select bits<sup>(1,2)</sup>  
If ERASE = 1:  
 1111 = No operation  
 1101 = Erase General Segment  
 1100 = No operation  
 0011 = No operation  
 0010 = Memory page erase operation  
 0001 = No operation  
 0000 = No operation  
  
If ERASE = 0:  
 1111 = No operation  
 1101 = No operation  
 1100 = No operation  
 0011 = Memory word program operation  
 0010 = No operation  
 0001 = No operation  
 0000 = No operation

**Note 1:** These bits can only be reset on a POR.

**2:** All other combinations of NVMOP<3:0> are unimplemented.

# dsPIC33FJ16(GP/MC)101/102 AND dsPIC33FJ32(GP/MC)101/102/104

## REGISTER 5-2: NVMKEY: NONVOLATILE MEMORY KEY REGISTER

|        |     |     |     |     |     |     |       |
|--------|-----|-----|-----|-----|-----|-----|-------|
| U-0    | U-0 | U-0 | U-0 | U-0 | U-0 | U-0 | U-0   |
| —      | —   | —   | —   | —   | —   | —   | —     |
| bit 15 |     |     |     |     |     |     | bit 8 |

|             |     |     |     |     |     |     |       |
|-------------|-----|-----|-----|-----|-----|-----|-------|
| W-0         | W-0 | W-0 | W-0 | W-0 | W-0 | W-0 | W-0   |
| NVMKEY<7:0> |     |     |     |     |     |     |       |
| bit 7       |     |     |     |     |     |     | bit 0 |

**Legend:**

R = Readable bit                      W = Writable bit                      U = Unimplemented bit, read as '0'  
 -n = Value at POR                      '1' = Bit is set                      '0' = Bit is cleared                      x = Bit is unknown

bit 15-8                      **Unimplemented:** Read as '0'  
 bit 7-0                      **NVMKEY<7:0>:** Key Register bits (write-only)

## 6.0 RESETS

**Note 1:** This data sheet summarizes the features of the dsPIC33FJ16(GP/MC)101/102 and dsPIC33FJ32(GP/MC)101/102/104 family devices. It is not intended to be a comprehensive reference source. To complement the information in this data sheet, refer to **Section 8. “Reset”** (DS70192) in the “dsPIC33F/PIC24H Family Reference Manual”, which is available from the Microchip web site ([www.microchip.com](http://www.microchip.com)).

**2:** Some registers and associated bits described in this section may not be available on all devices. Refer to **Section 4.0 “Memory Organization”** in this data sheet for device-specific register and bit information.

The Reset module combines all Reset sources and controls the device Master Reset Signal,  $\overline{\text{SYSRST}}$ . The following is a list of device Reset sources:

- POR: Power-on Reset
- BOR: Brown-out Reset
- MCLR: Master Clear Pin Reset
- SWR: RESET Instruction
- WDTO: Watchdog Timer Reset
- CM: Configuration Mismatch Reset
- TRAPR: Trap Conflict Reset
- IOPUWR: Illegal Condition Device Reset
  - Illegal Opcode Reset
  - Uninitialized W Register Reset
  - Security Reset

A simplified block diagram of the Reset module is shown in [Figure 6-1](#).

Any active source of Reset will make the  $\overline{\text{SYSRST}}$  signal active. On system Reset, some of the registers associated with the CPU and peripherals are forced to a known Reset state, and some are unaffected.

**Note:** Refer to the specific peripheral section or **Section 3.0 “CPU”** of this data sheet for register Reset states.

All types of device Reset set a corresponding status bit in the RCON register to indicate the type of Reset (see [Register 6-1](#)).

All bits that are set, with the exception of the POR bit (RCON<0>), are cleared during a POR event. The user application can set or clear any bit at any time during code execution. The RCON bits only serve as status bits. Setting a particular Reset status bit in software does not cause a device Reset to occur.

The RCON register also has other bits associated with the Watchdog Timer and device power-saving states. The function of these bits is discussed in other sections of this data sheet.

**Note:** The status bits in the RCON register should be cleared after they are read so that the next RCON register value after a device Reset is meaningful.

**FIGURE 6-1: RESET SYSTEM BLOCK DIAGRAM**



# dsPIC33FJ16(GP/MC)101/102 AND dsPIC33FJ32(GP/MC)101/102/104

## 6.1 Reset Control Register

REGISTER 6-1: RCON: RESET CONTROL REGISTER<sup>(1)</sup>

|        |        |     |     |     |     |       |       |
|--------|--------|-----|-----|-----|-----|-------|-------|
| R/W-0  | R/W-0  | U-0 | U-0 | U-0 | U-0 | R/W-0 | R/W-0 |
| TRAPR  | IOPUWR | —   | —   | —   | —   | CM    | VREGS |
| bit 15 |        |     |     |     |     | bit 8 |       |

|       |       |                       |       |       |       |       |       |
|-------|-------|-----------------------|-------|-------|-------|-------|-------|
| R/W-0 | R/W-0 | R/W-0                 | R/W-0 | R/W-0 | R/W-0 | R/W-1 | R/W-1 |
| EXTR  | SWR   | SWDTEN <sup>(2)</sup> | WDTO  | SLEEP | IDLE  | BOR   | POR   |
| bit 7 |       |                       |       |       |       | bit 0 |       |

**Legend:**

R = Readable bit                      W = Writable bit                      U = Unimplemented bit, read as '0'  
 -n = Value at POR                      '1' = Bit is set                      '0' = Bit is cleared                      x = Bit is unknown

- bit 15            **TRAPR:** Trap Reset Flag bit  
 1 = A Trap Conflict Reset has occurred  
 0 = A Trap Conflict Reset has not occurred
- bit 14            **IOPUWR:** Illegal Opcode or Uninitialized W Access Reset Flag bit  
 1 = An illegal opcode detection, an illegal address mode or uninitialized W register used as an Address Pointer caused a Reset  
 0 = An Illegal Opcode or Uninitialized W Reset has not occurred
- bit 13-10       **Unimplemented:** Read as '0'
- bit 9             **CM:** Configuration Mismatch Flag bit  
 1 = A Configuration Mismatch Reset has occurred  
 0 = A Configuration Mismatch Reset has not occurred
- bit 8             **VREGS:** Voltage Regulator Stand-by During Sleep bit  
 1 = Voltage regulator is active during Sleep  
 0 = Voltage regulator goes into Stand-by mode during Sleep
- bit 7             **EXTR:** External Reset ( $\overline{\text{MCLR}}$ ) Pin bit  
 1 = A Master Clear (pin) Reset has occurred  
 0 = A Master Clear (pin) Reset has not occurred
- bit 6             **SWR:** Software Reset (Instruction) Flag bit  
 1 = A RESET instruction has been executed  
 0 = A RESET instruction has not been executed
- bit 5             **SWDTEN:** Software Enable/Disable of WDT bit<sup>(2)</sup>  
 1 = WDT is enabled  
 0 = WDT is disabled
- bit 4             **WDTO:** Watchdog Timer Time-out Flag bit  
 1 = WDT time-out has occurred  
 0 = WDT time-out has not occurred
- bit 3             **SLEEP:** Wake-up from Sleep Flag bit  
 1 = Device has been in Sleep mode  
 0 = Device has not been in Sleep mode

- Note 1:** All of the Reset status bits can be set or cleared in software. Setting one of these bits in software does not cause a device Reset.
- 2:** If the FWDTEN Configuration bit is '1' (unprogrammed), the WDT is always enabled, regardless of the SWDTEN bit setting.



## REGISTER 6-1: RCON: RESET CONTROL REGISTER<sup>(1)</sup> (CONTINUED)

|       |  |
|-------|--|
| bit 2 | <b>IDLE:</b> Wake-up from Idle Flag bit<br>1 = Device has been in Idle mode<br>0 = Device has not been in Idle mode  |
| bit 1 | <b>BOR:</b> Brown-out Reset Flag bit<br>1 = A Brown-out Reset has occurred<br>0 = A Brown-out Reset has not occurred |
| bit 0 | <b>POR:</b> Power-on Reset Flag bit<br>1 = A Power-on Reset has occurred<br>0 = A Power-on Reset has not occurred    |

- Note 1:** All of the Reset status bits can be set or cleared in software. Setting one of these bits in software does not cause a device Reset.
- 2:** If the FWDTEN Configuration bit is '1' (unprogrammed), the WDT is always enabled, regardless of the SWDTEN bit setting.

# dsPIC33FJ16(GP/MC)101/102 AND dsPIC33FJ32(GP/MC)101/102/104

## 6.2 System Reset

The dsPIC33FJ16(GP/MC)101/102 and dsPIC33FJ32(GP/MC)101/102/104 family of devices have two types of Reset:

- Cold Reset
- Warm Reset

A Cold Reset is the result of a POR or a BOR. On a Cold Reset, the FNOSC Configuration bits in the FOSC Configuration register selects the device clock source.

A Warm Reset is the result of all other Reset sources, including the RESET instruction. On Warm Reset, the device will continue to operate from the current clock source as indicated by the Current Oscillator Selection (COSC<2:0>) bits in the Oscillator Control (OSCCON<14:12>) register.

The device is kept in a Reset state until the system power supplies have stabilized at appropriate levels and the oscillator clock is ready. The sequence in which this occurs is shown in [Figure 6-2](#).

**TABLE 6-1: OSCILLATOR DELAY**

| Oscillator Mode        | Oscillator Start-up Delay | Oscillator Start-up Timer | PLL Lock Time        | Total Delay   |
|------------------------|---------------------------|---------------------------|----------------------|---|
| FRC, FRCDIV16, FRCDIVN | TOSCD <sup>(1)</sup>      | —                         | —                    | TOSCD   |
| FRCPLL                 | TOSCD <sup>(1)</sup>      | —                         | TLOCK <sup>(3)</sup> | TOSCD <sup>(1)</sup> + TLOCK <sup>(3)</sup>                       |
| MS                     | TOSCD <sup>(1)</sup>      | TOST <sup>(2)</sup>       | —                    | TOSCD <sup>(1)</sup> + TOST <sup>(2)</sup>                        |
| HS                     | TOSCD <sup>(1)</sup>      | TOST <sup>(2)</sup>       | —                    | TOSCD <sup>(1)</sup> + TOST <sup>(2)</sup>                        |
| EC                     | —                         | —                         | —                    | —   |
| MSPLL                  | TOSCD <sup>(1)</sup>      | TOST <sup>(2)</sup>       | TLOCK <sup>(3)</sup> | TOSCD <sup>(1)</sup> + TOST <sup>(2)</sup> + TLOCK <sup>(3)</sup> |
| ECPLL                  | —                         | —                         | TLOCK <sup>(3)</sup> | TLOCK <sup>(3)</sup>  |
| SOSC                   | TOSCD <sup>(1)</sup>      | TOST <sup>(2)</sup>       | —                    | TOSCD <sup>(1)</sup> + TOST <sup>(2)</sup>                        |
| LPRC                   | TOSCD <sup>(1)</sup>      | —                         | —                    | TOSCD <sup>(1)</sup>  |

**Note 1:** TOSCD = Oscillator Start-up Delay (1.1 μs max. for FRC, 70 μs max. for LPRC). Crystal oscillator start-up times vary with crystal characteristics, load capacitance, etc.

**2:** TOST = Oscillator Start-up Timer Delay (1024 oscillator clock period). For example, TOST = 102.4 μs for a 10 MHz crystal and TOST = 32 ms for a 32 kHz crystal.

**3:** TLOCK = PLL Lock time (1.5 ms nominal) if PLL is enabled.

FIGURE 6-2: SYSTEM RESET TIMING



TABLE 6-2: OSCILLATOR PARAMETERS

| Symbol | Parameter                     | Value          |
|--------|-------------------------------|----------------|
| VPOR   | POR Threshold                 | 1.8V nominal   |
| TPOR   | POR Extension Time            | 30 μs maximum  |
| VBOR   | BOR Threshold                 | 2.5V nominal   |
| TBOR   | BOR Extension Time            | 100 μs maximum |
| TPWRT  | Power-up Time Delay           | 64 ms nominal  |
| TFSCM  | Fail-Safe Clock Monitor Delay | 900 μs maximum |

**Note:** When the device exits the Reset condition (begins normal operation), the device operating parameters (voltage, frequency, temperature, etc.) must be within their operating ranges; otherwise, the device may not function correctly. The user application must ensure that the delay between the time power is first applied, and the time SYSRST becomes inactive, is long enough to get all operating parameters within specification.

## 6.3 POR

A POR circuit ensures the device is reset from power-on. The POR circuit is active until VDD crosses the VPOR threshold and the delay, TPOR, has elapsed. The delay, TPOR, ensures that the internal device bias circuits become stable.

The device supply voltage characteristics must meet the specified starting voltage and rise rate requirements to generate the POR. Refer to [Section 26.0 “Electrical Characteristics”](#) for details.

The POR status (POR) bit in the Reset Control (RCON<0>) register is set to indicate the Power-on Reset.

## 6.4 BOR and PWRT

The on-chip regulator has a BOR circuit that resets the device when the VDD is too low ( $V_{DD} < V_{BOR}$ ) for proper device operation. The BOR circuit keeps the device in Reset until VDD crosses the VBOR threshold and the delay, TBOR, has elapsed. The delay, TBOR, ensures the voltage regulator output becomes stable.

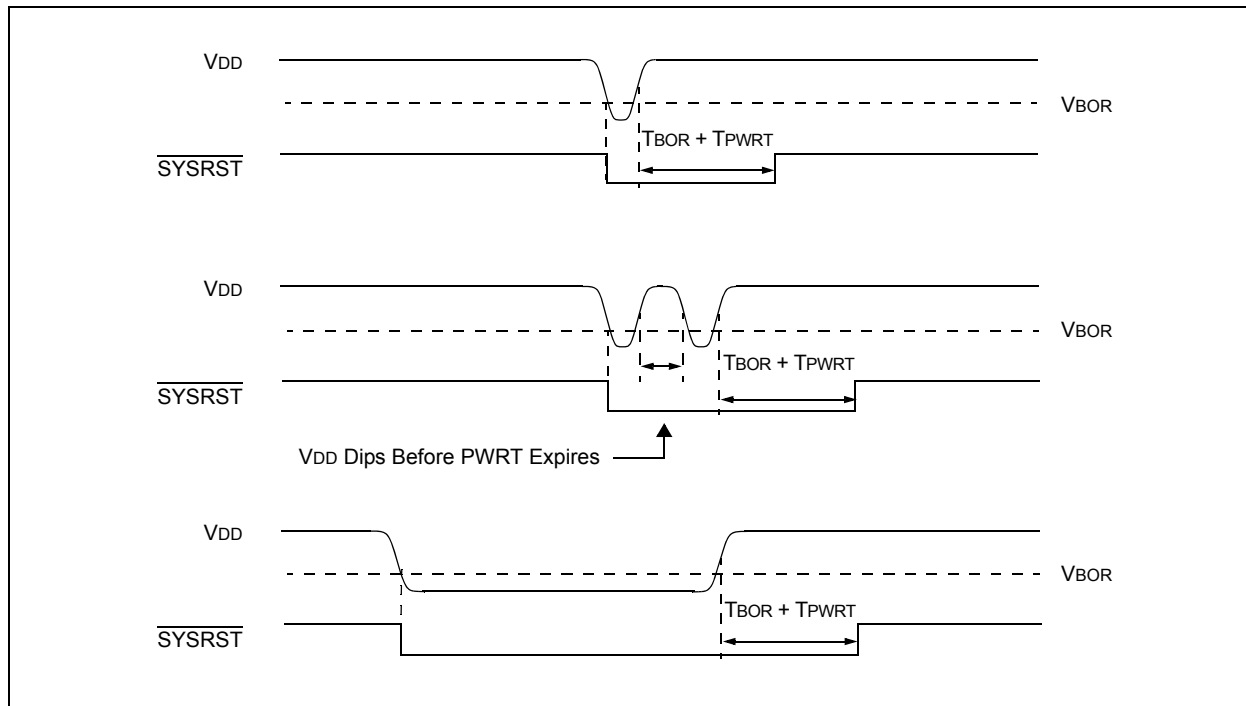
The BOR status (BOR) bit in the Reset Control (RCON<1>) register is set to indicate the Brown-out Reset.

The device will not run at full speed after a BOR as the VDD should rise to acceptable levels for full-speed operation. The Power-up Timer (PWRT) provides power-up time delay (TPWRT) to ensure that the system power supplies have stabilized at the appropriate levels for full-speed operation before the SYSRST is released.

Refer to [Section 23.0 “Special Features”](#) for further details.

[Figure 6-3](#) shows the typical brown-out scenarios. The Reset delay (TBOR + TPWRT) is initiated each time VDD rises above the VBOR trip point.

**FIGURE 6-3: BROWN-OUT RESET SITUATIONS**



## 6.5 External Reset (EXTR)

The External Reset is generated by driving the  $\overline{\text{MCLR}}$  pin low. The  $\overline{\text{MCLR}}$  pin is a Schmitt trigger input with an additional glitch filter. Reset pulses that are longer than the minimum pulse width will generate a Reset. Refer to [Section 26.0 “Electrical Characteristics”](#) for minimum pulse-width specifications. The External Reset (MCLR) Pin (EXTR) bit in the Reset Control (RCON) register is set to indicate the  $\overline{\text{MCLR}}$  Reset.

### 6.5.1 EXTERNAL SUPERVISORY CIRCUIT

Many systems have external supervisory circuits that generate Reset signals to reset multiple devices in the system. This External Reset signal can be directly connected to the  $\overline{\text{MCLR}}$  pin to reset the device when the rest of the system is reset.

### 6.5.2 INTERNAL SUPERVISORY CIRCUIT

When using the internal power supervisory circuit to reset the device, the External Reset pin ( $\overline{\text{MCLR}}$ ) should be tied directly or resistively to VDD. In this case, the  $\overline{\text{MCLR}}$  pin will not be used to generate a Reset. The External Reset pin ( $\overline{\text{MCLR}}$ ) does not have an internal pull-up and must not be left unconnected.

## 6.6 Software RESET Instruction (SWR)

Whenever the `RESET` instruction is executed, the device will assert `SYSRST`, placing the device in a special Reset state. This Reset state will not re-initialize the clock. The clock source in effect prior to the `RESET` instruction will remain as the source. `SYSRST` is released at the next instruction cycle and the Reset vector fetch will commence.

The Software Reset (Instruction) Flag (SWR) bit in the Reset Control (RCON<6>) register is set to indicate the Software Reset.

## 6.7 Watchdog Timer Time-out Reset (WDTO)

Whenever a Watchdog Timer Time-out Reset occurs, the device will asynchronously assert `SYSRST`. The clock source will remain unchanged. A WDT time-out during Sleep or Idle mode will wake-up the processor, but will not reset the processor.

The Watchdog Timer Time-out Flag (WDTO) bit in the Reset Control (RCON<4>) register is set to indicate the Watchdog Reset. Refer to [Section 23.4 “Watchdog Timer \(WDT\)”](#) for more information on Watchdog Reset.

## 6.8 Trap Conflict Reset

If a lower priority hard trap occurs while a higher priority trap is being processed, a hard Trap Conflict Reset occurs. The hard traps include exceptions of Priority Level 13 through Level 15, inclusive. The address error (Level 13) and oscillator error (Level 14) traps fall into this category.

The Trap Reset Flag (TRAPR) bit in the Reset Control (RCON<15>) register is set to indicate the Trap Conflict Reset. Refer to [Section 7.0 “Interrupt Controller”](#) for more information on Trap Conflict Resets.

## 6.9 Configuration Mismatch Reset

To maintain the integrity of the Peripheral Pin Select Control registers, they are constantly monitored with shadow registers in hardware. If an unexpected change in any of the registers occurs (such as cell disturbances caused by ESD or other external events), a Configuration Mismatch Reset occurs.

The Configuration Mismatch Flag (CM) bit in the Reset Control (RCON<9>) register is set to indicate the Configuration Mismatch Reset. Refer to [Section 10.0 “I/O Ports”](#) for more information on the Configuration Mismatch Reset.

|  |
|--|
| <b>Note:</b> The Configuration Mismatch feature and associated Reset flag is not available on all devices. |
|--|

## 6.10 Illegal Condition Device Reset

An Illegal Condition Device Reset occurs due to the following sources:

- Illegal Opcode Reset
- Uninitialized W Register Reset
- Security Reset

The Illegal Opcode or Uninitialized W Access Reset Flag (IOPUWR) bit in the Reset Control (RCON<14>) register is set to indicate the Illegal Condition Device Reset.

### 6.10.1 ILLEGAL OPCODE RESET

A device Reset is generated if the device attempts to execute an illegal opcode value that is fetched from program memory.

The Illegal Opcode Reset function can prevent the device from executing program memory sections that are used to store constant data. To take advantage of the Illegal Opcode Reset, use only the lower 16 bits of each program memory section to store the data values. The upper 8 bits should be programmed with 0x3F, which is an illegal opcode value.

## 6.10.2 UNINITIALIZED W REGISTER RESET

Any attempts to use the uninitialized W register as an Address Pointer will reset the device. The W register array (with the exception of W15) is cleared during all Resets and is considered uninitialized until written to.

## 6.10.3 SECURITY RESET

If a Program Flow Change (PFC) or Vector Flow Change (VFC) targets a restricted location in a protected segment (Boot and Secure Segment), that operation will cause a Security Reset.

The PFC occurs when the Program Counter is reloaded as a result of a Call, Jump, Computed Jump, Return, Return from Subroutine or other form of branch instruction.

The VFC occurs when the Program Counter is reloaded with an interrupt or trap vector.

## 6.11 Using the RCON Status Bits

The user application can read the Reset Control (RCON) register after any device Reset to determine the cause of the Reset.

**Note:** The status bits in the RCON register should be cleared after they are read so that the next RCON register value after a device Reset will be meaningful.

Table 6-3 provides a summary of Reset flag bit operation.

**TABLE 6-3: RESET FLAG BIT OPERATION**

| Flag Bit         | Set by:   | Cleared by:                                     |
|------------------|---|---|
| TRAPR (RCON<15>) | Trap conflict event   | POR, BOR  |
| IOPWR (RCON<14>) | Illegal opcode or uninitialized W register access or Security Reset | POR, BOR  |
| CM (RCON<9>)     | Configuration Mismatch  | POR, BOR  |
| EXTR (RCON<7>)   | MCLR Reset  | POR   |
| SWR (RCON<6>)    | RESET instruction   | POR, BOR  |
| WDTO (RCON<4>)   | WDT Time-out  | PWRSV instruction, CLRWDT instruction, POR, BOR |
| SLEEP (RCON<3>)  | PWRSV #SLEEP instruction  | POR, BOR  |
| IDLE (RCON<2>)   | PWRSV #IDLE instruction   | POR, BOR  |
| BOR (RCON<1>)    | POR, BOR  | —   |
| POR (RCON<0>)    | POR   | —   |

**Note:** All Reset flag bits can be set or cleared by user software.

## 7.0 INTERRUPT CONTROLLER

**Note 1:** This data sheet summarizes the features of the dsPIC33FJ16(GP/MC)101/102 and dsPIC33FJ32(GP/MC)101/102/104 family devices. It is not intended to be a comprehensive reference source. To complement the information in this data sheet, refer to **Section 41. “Interrupts (Part IV)”** (DS70300) in the “*dsPIC33F/PIC24H Family Reference Manual*”, which is available on the Microchip web site ([www.microchip.com](http://www.microchip.com)).

**2:** Some registers and associated bits described in this section may not be available on all devices. Refer to **Section 4.0 “Memory Organization”** in this data sheet for device-specific register and bit information.

The interrupt controller reduces the numerous peripheral interrupt request signals to a single interrupt request signal to the dsPIC33FJ16(GP/MC)101/102 and dsPIC33FJ32(GP/MC)101/102/104 CPU. It has the following features:

- Up to eight processor exceptions and software traps
- Seven user-selectable priority levels
- Interrupt Vector Table (IVT) with up to 118 vectors
- A unique vector for each interrupt or exception source
- Fixed priority within a specified user priority level
- Alternate Interrupt Vector Table (AIVT) for debug support
- Fixed interrupt entry and return latencies

### 7.1 Interrupt Vector Table

The Interrupt Vector Table (IVT) is shown in [Figure 7-1](#). The IVT resides in program memory, starting at location, 000004h. The IVT contains 126 vectors consisting of eight non-maskable trap vectors, plus up to 118 sources of interrupt. In general, each interrupt source has its own vector. Each interrupt vector contains a 24-bit-wide address. The value programmed into each interrupt vector location is the starting address of the associated Interrupt Service Routine (ISR).

Interrupt vectors are prioritized in terms of their natural priority. This priority is linked to their position in the vector table. Lower addresses generally have a higher natural priority. For example, the interrupt associated with Vector 0 will take priority over interrupts at any other vector address.

dsPIC33FJ16(GP/MC)101/102 and dsPIC33FJ32(GP/MC)101/102/104 devices implement up to 26 unique interrupts and 4 nonmaskable traps. These are summarized in [Table 7-1](#) and [Table 7-2](#).

#### 7.1.1 ALTERNATE INTERRUPT VECTOR TABLE

The Alternate Interrupt Vector Table (AIVT) is located after the IVT, as shown in [Figure 7-1](#). Access to the AIVT is provided by the ALTIVT control bit (INTCON2<15>). If the ALTIVT bit is set, all interrupt and exception processes use the alternate vectors instead of the default vectors. The alternate vectors are organized in the same manner as the default vectors.

The AIVT supports debugging by providing a way to switch between an application and a support environment without requiring the interrupt vectors to be reprogrammed. This feature also enables switching between applications to facilitate evaluation of different software algorithms at run time. If the AIVT is not needed, the AIVT should be programmed with the same addresses used in the IVT.

### 7.2 Reset Sequence

A device Reset is not a true exception because the interrupt controller is not involved in the Reset process. The dsPIC33FJ16(GP/MC)101/102 and dsPIC33FJ32(GP/MC)101/102/104 devices clear their registers in response to a Reset, forcing the PC to zero. The Digital Signal Controller then begins program execution at location, 0x000000. A GOTO instruction at the Reset address can redirect program execution to the appropriate start-up routine.

**Note:** Any unimplemented or unused vector locations in the IVT and AIVT should be programmed with the address of a default interrupt handler routine that contains a RESET instruction.

**FIGURE 7-1: dsPIC33FJ16(GP/MC)101/102 AND dsPIC33FJ32(GP/MC)101/102/104 INTERRUPT VECTOR TABLE**





# dsPIC33FJ16(GP/MC)101/102 AND dsPIC33FJ32(GP/MC)101/102/104

**TABLE 7-1: INTERRUPT VECTORS**

| Vector Number | Interrupt Request (IRQ) Number | IVT Address       | AIVT Address      | Interrupt Source                                 |
|---------------|--------------------------------|-------------------|-------------------|--|
| 8             | 0                              | 0x000014          | 0x000114          | INT0 – External Interrupt 0                      |
| 9             | 1                              | 0x000016          | 0x000116          | IC1 – Input Capture 1                            |
| 10            | 2                              | 0x000018          | 0x000118          | OC1 – Output Compare 1                           |
| 11            | 3                              | 0x00001A          | 0x00011A          | T1 – Timer1                                      |
| 12            | 4                              | 0x00001C          | 0x00011C          | Reserved   |
| 13            | 5                              | 0x00001E          | 0x00011E          | IC2 – Input Capture 2                            |
| 14            | 6                              | 0x000020          | 0x000120          | OC2 – Output Compare 2                           |
| 15            | 7                              | 0x000022          | 0x000122          | T2 – Timer2                                      |
| 16            | 8                              | 0x000024          | 0x000124          | T3 – Timer3                                      |
| 17            | 9                              | 0x000026          | 0x000126          | SPI1E – SPI1 Error                               |
| 18            | 10                             | 0x000028          | 0x000128          | SPI1 – SPI1 Transfer Done                        |
| 19            | 11                             | 0x00002A          | 0x00012A          | U1RX – UART1 Receiver                            |
| 20            | 12                             | 0x00002C          | 0x00012C          | U1TX – UART1 Transmitter                         |
| 21            | 13                             | 0x00002E          | 0x00012E          | ADC1 – ADC1                                      |
| 22-23         | 14-15                          | 0x000030-0x000032 | 0x000130-0x000132 | Reserved   |
| 24            | 16                             | 0x000034          | 0x000134          | SI2C1 – I2C1 Slave Events                        |
| 25            | 17                             | 0x000036          | 0x000136          | MI2C1 – I2C1 Master Events                       |
| 26            | 18                             | 0x000038          | 0x000138          | CMP – Comparator Interrupt                       |
| 27            | 19                             | 0x00003A          | 0x00013A          | Change Notification Interrupt                    |
| 28            | 20                             | 0x00003C          | 0x00013C          | INT1 – External Interrupt 1                      |
| 29-34         | 21-26                          | 0x00003E-0x000038 | 0x00013E-0x000138 | Reserved   |
| 35            | 27                             | 0x00004A          | 0x00014A          | T4 – Timer4 <sup>(2)</sup>                       |
| 36            | 28                             | 0x00004C          | 0x00014C          | T5 – Timer4 <sup>(2)</sup>                       |
| 37            | 29                             | 0x00004E          | 0x00014E          | INT2 – External Interrupt 2                      |
| 38-44         | 30-36                          | 0x000050-0x00005C | 0x000150-0x00015C | Reserved   |
| 45            | 37                             | 0x00005E          | 0x00015E          | IC3 – Input Capture 3                            |
| 46-64         | 38-56                          | 0x000060-0x000084 | 0x000160-0x000184 | Reserved   |
| 65            | 57                             | 0x000086          | 0x000186          | PWM1 – PWM1 Period Match <sup>(1)</sup>          |
| 66-69         | 58-61                          | 0x000088-0x00008E | 0x000188-0x00018E | Reserved   |
| 70            | 62                             | 0x000090          | 0x000190          | RTCC – Real-Time Clock and Calendar              |
| 71            | 63                             | 0x000092          | 0x000192          | $\overline{FLTA1}$ – PWM1 Fault A <sup>(1)</sup> |
| 72            | 64                             | 0x000094          | 0x000194          | $\overline{FLTB1}$ – PWM1 Fault B <sup>(3)</sup> |
| 73            | 65                             | 0x000096          | 0x000196          | U1E – UART1 Error                                |
| 74-84         | 66-76                          | 0x000098-0x0000AC | 0x000198-0x0001AC | Reserved   |
| 85            | 77                             | 0x0000AE          | 0x0001AE          | CTMU – Charge Time Measurement Unit              |
| 86-125        | 78-117                         | 0x0000B0-0x0000FE | 0x0001B0-0x0001FE | Reserved   |

**Note 1:** This interrupt vector is available in dsPIC33FJ(16/32)MC10X devices only.

**2:** This interrupt vector is available in dsPIC33FJ32(GP/MC)10X devices only.

**3:** This interrupt vector is available in dsPIC33FJ(16/32)MC102/104 devices only.

**TABLE 7-2: TRAP VECTORS**

| Vector Number | IVT Address | AIVT Address | Trap Source        |
|---------------|-------------|--------------|--------------------|
| 0             | 0x000004    | 0x000104     | Reserved           |
| 1             | 0x000006    | 0x000106     | Oscillator Failure |
| 2             | 0x000008    | 0x000108     | Address Error      |
| 3             | 0x00000A    | 0x00010A     | Stack Error        |
| 4             | 0x00000C    | 0x00010C     | Math Error         |
| 5             | 0x00000E    | 0x00010E     | Reserved           |
| 6             | 0x000010    | 0x000110     | Reserved           |
| 7             | 0x000012    | 0x000112     | Reserved           |

### 7.3 Interrupt Control and Status Registers

The dsPIC33FJ16(GP/MC)101/102 and dsPIC33FJ32(GP/MC)101/102/104 devices implement a total of 22 registers for the interrupt controller:

- INTCON1
- INTCON2
- IFSx
- IECx
- IPCx
- INTTREG

#### 7.3.1 INTCON1 AND INTCON2

Global interrupt functions are controlled from INTCON1 and INTCON2. INTCON1 contains the Interrupt Nesting Disable (NSTDIS) bit as well as the control and status flags for the processor trap sources. The INTCON2 register controls the external interrupt request signal behavior and the use of the Alternate Interrupt Vector Table.

#### 7.3.2 IFSx Registers

The IFSx registers maintain all of the interrupt request flags. Each source of interrupt has a status bit, which is set by the respective peripherals or external signal and is cleared via software.

#### 7.3.3 IECx Registers

The IECx registers maintain all of the interrupt enable bits. These control bits are used to individually enable interrupts from the peripherals or external signals.

#### 7.3.4 IPCx Registers

The IPCx registers are used to set the Interrupt Priority Level (IPL) for each source of interrupt. Each user interrupt source can be assigned to one of eight priority levels.

#### 7.3.5 INTTREG

The INTTREG register contains the associated interrupt vector number and the new CPU Interrupt Priority Level, which are latched into Vector Number (VECNUM<6:0>) and Interrupt Level (ILR<3:0>) bit fields in the INTTREG register. The new Interrupt Priority Level is the priority of the pending interrupt.

The interrupt sources are assigned to the IFSx, IECx and IPCx registers in the same sequence that they are listed in [Table 7-1](#). For example, the INT0 (External Interrupt 0) is shown as having Vector Number 8 and a natural order priority of 0. Thus, the INTOIF bit is found in IFS0<0>, the INTOIE bit in IEC0<0> and the INTOIPx bits in the first positions of IPC0 (IPC0<2:0>).

#### 7.3.6 STATUS/CONTROL REGISTERS

Although they are not specifically part of the interrupt control hardware, two of the CPU Control registers contain bits that control interrupt functionality.

- The CPU STATUS Register, SR, contains the IPL<2:0> bits (SR<7:5>). These bits indicate the current CPU Interrupt Priority Level. The user application can change the current CPU Interrupt Priority Level by writing to the IPLx bits.
- The CORCON register contains the IPL3 bit which, together with IPL<2:0>, also indicates the current CPU Interrupt Priority Level. IPL3 is a read-only bit so that trap events cannot be masked by the user software.

All Interrupt registers are described in [Register 7-1](#) through [Register 7-28](#) in the following pages.

# dsPIC33FJ16(GP/MC)101/102 AND dsPIC33FJ32(GP/MC)101/102/104

## REGISTER 7-1: SR: CPU STATUS REGISTER<sup>(1)</sup>

|                      |                      |                      |       |       |       |       |       |
|----------------------|----------------------|----------------------|-------|-------|-------|-------|-------|
| R-0                  | R-0                  | R/C-0                | R/C-0 | R-0   | R/C-0 | R-0   | R/W-0 |
| OA                   | OB                   | SA                   | SB    | OAB   | SAB   | DA    | DC    |
| bit 15               |                      |                      |       |       |       | bit 8 |       |
| R/W-0 <sup>(3)</sup> | R/W-0 <sup>(3)</sup> | R/W-0 <sup>(3)</sup> | R-0   | R/W-0 | R/W-0 | R/W-0 | R/W-0 |
| IPL2 <sup>(2)</sup>  | IPL1 <sup>(2)</sup>  | IPL0 <sup>(2)</sup>  | RA    | N     | OV    | Z     | C     |
| bit 7                |                      |                      |       |       |       | bit 0 |       |

|                   |                                    |
|-------------------|------------------------------------|
| <b>Legend:</b>    | C = Clearable bit                  |
| R = Readable bit  | W = Writable bit                   |
| -n = Value at POR | '1' = Bit is set                   |
|                   | U = Unimplemented bit, read as '0' |
|                   | '0' = Bit is cleared               |
|                   | x = Bit is unknown                 |

bit 7-5 **IPL<2:0>**: CPU Interrupt Priority Level Status bits<sup>(2,3)</sup>

111 = CPU Interrupt Priority Level is 7 (15); user interrupts are disabled  
 110 = CPU Interrupt Priority Level is 6 (14)  
 101 = CPU Interrupt Priority Level is 5 (13)  
 100 = CPU Interrupt Priority Level is 4 (12)  
 011 = CPU Interrupt Priority Level is 3 (11)  
 010 = CPU Interrupt Priority Level is 2 (10)  
 001 = CPU Interrupt Priority Level is 1 (9)  
 000 = CPU Interrupt Priority Level is 0 (8)

- Note 1:** For complete register details, see [Register 3-1](#).
- 2:** The IPL<2:0> bits are concatenated with the IPL<3> bit (CORCON<3>) to form the CPU Interrupt Priority Level. The value in parentheses indicates the IPL if IPL<3> = 1. User interrupts are disabled when IPL<3> = 1.
- 3:** The IPL<2:0> Status bits are read-only when NSTDIS (INTCON1<15>) = 1.

## REGISTER 7-2: CORCON: CORE CONTROL REGISTER<sup>(1)</sup>

|        |       |       |        |                     |         |       |       |
|--------|-------|-------|--------|---------------------|---------|-------|-------|
| U-0    | U-0   | U-0   | R/W-0  | R/W-0               | R-0     | R-0   | R-0   |
| —      | —     | —     | US     | EDT                 | DL<2:0> |       |       |
| bit 15 |       |       |        |                     |         | bit 8 |       |
| R/W-0  | R/W-0 | R/W-1 | R/W-0  | R/C-0               | R/W-0   | R/W-0 | R/W-0 |
| SATA   | SATB  | SATDW | ACCSAT | IPL3 <sup>(2)</sup> | PSV     | RND   | IF    |
| bit 7  |       |       |        |                     |         | bit 0 |       |

|                   |                                    |
|-------------------|------------------------------------|
| <b>Legend:</b>    | C = Clearable bit                  |
| R = Readable bit  | W = Writable bit                   |
| -n = Value at POR | '1' = Bit is set                   |
|                   | U = Unimplemented bit, read as '0' |
|                   | '0' = Bit is cleared               |
|                   | x = Bit is unknown                 |

bit 3 **IPL3**: CPU Interrupt Priority Level Status bit<sup>(2)</sup>

1 = CPU Interrupt Priority Level is greater than 7  
 0 = CPU Interrupt Priority Level is 7 or less

- Note 1:** For complete register details, see [Register 3-2](#).
- 2:** The IPL3 bit is concatenated with the IPL<2:0> bits (SR<7:5>) to form the CPU Interrupt Priority Level.

# dsPIC33FJ16(GP/MC)101/102 AND dsPIC33FJ32(GP/MC)101/102/104

## REGISTER 7-3: INTCON1: INTERRUPT CONTROL REGISTER 1

|        |        |        |         |         |       |       |       |
|--------|--------|--------|---------|---------|-------|-------|-------|
| R/W-0  | R/W-0  | R/W-0  | R/W-0   | R/W-0   | R/W-0 | R/W-0 | R/W-0 |
| NSTDIS | OVAERR | OVBERR | COVAERR | COVBERR | OVATE | OVBTE | COVTE |
| bit 15 |        |        |         |         |       |       | bit 8 |

|          |         |     |         |         |        |         |       |
|----------|---------|-----|---------|---------|--------|---------|-------|
| R/W-0    | R/W-0   | U-0 | R/W-0   | R/W-0   | R/W-0  | R/W-0   | U-0   |
| SFTACERR | DIV0ERR | —   | MATHERR | ADDRERR | STKERR | OSCFAIL | —     |
| bit 7    |         |     |         |         |        |         | bit 0 |

### Legend:

R = Readable bit  
-n = Value at POR

W = Writable bit  
'1' = Bit is set

U = Unimplemented bit, read as '0'  
'0' = Bit is cleared  
x = Bit is unknown

- bit 15      **NSTDIS:** Interrupt Nesting Disable bit  
1 = Interrupt nesting is disabled  
0 = Interrupt nesting is enabled
- bit 14      **OVAERR:** Accumulator A Overflow Trap Flag bit  
1 = Trap was caused by overflow of Accumulator A  
0 = Trap was not caused by overflow of Accumulator A
- bit 13      **OVBERR:** Accumulator B Overflow Trap Flag bit  
1 = Trap was caused by overflow of Accumulator B  
0 = Trap was not caused by overflow of Accumulator B
- bit 12      **COVAERR:** Accumulator A Catastrophic Overflow Trap Flag bit  
1 = Trap was caused by catastrophic overflow of Accumulator A  
0 = Trap was not caused by catastrophic overflow of Accumulator A
- bit 11      **COVBERR:** Accumulator B Catastrophic Overflow Trap Flag bit  
1 = Trap was caused by catastrophic overflow of Accumulator B  
0 = Trap was not caused by catastrophic overflow of Accumulator B
- bit 10      **OVATE:** Accumulator A Overflow Trap Enable bit  
1 = Trap overflow of Accumulator A  
0 = Trap is disabled
- bit 9        **OVBTE:** Accumulator B Overflow Trap Enable bit  
1 = Trap overflow of Accumulator B  
0 = Trap disabled
- bit 8        **COVTE:** Catastrophic Overflow Trap Enable bit  
1 = Trap on catastrophic overflow of Accumulator A or B enabled  
0 = Trap is disabled
- bit 7        **SFTACERR:** Shift Accumulator Error Status bit  
1 = Math error trap was caused by an invalid accumulator shift  
0 = Math error trap was not caused by an invalid accumulator shift
- bit 6        **DIV0ERR:** Arithmetic Error Status bit  
1 = Math error trap was caused by a divide-by-zero  
0 = Math error trap was not caused by a divide-by-zero
- bit 5        **Unimplemented:** Read as '0'
- bit 4        **MATHERR:** Arithmetic Error Status bit  
1 = Math error trap has occurred  
0 = Math error trap has not occurred

## REGISTER 7-3: INTCON1: INTERRUPT CONTROL REGISTER 1 (CONTINUED)

- bit 3      **ADDRERR:** Address Error Trap Status bit  
            1 = Address error trap has occurred  
            0 = Address error trap has not occurred
- bit 2      **STKERR:** Stack Error Trap Status bit  
            1 = Stack error trap has occurred  
            0 = Stack error trap has not occurred
- bit 1      **OSCFAIL:** Oscillator Failure Trap Status bit  
            1 = Oscillator failure trap has occurred  
            0 = Oscillator failure trap has not occurred
- bit 0      **Unimplemented:** Read as '0'

# dsPIC33FJ16(GP/MC)101/102 AND dsPIC33FJ32(GP/MC)101/102/104

## REGISTER 7-4: INTCON2: INTERRUPT CONTROL REGISTER 2

|        |      |     |     |     |     |     |       |
|--------|------|-----|-----|-----|-----|-----|-------|
| R/W-0  | R-0  | U-0 | U-0 | U-0 | U-0 | U-0 | U-0   |
| ALTIVT | DISI | —   | —   | —   | —   | —   | —     |
| bit 15 |      |     |     |     |     |     | bit 8 |

|       |     |     |     |     |        |        |        |
|-------|-----|-----|-----|-----|--------|--------|--------|
| U-0   | U-0 | U-0 | U-0 | U-0 | R/W-0  | R/W-0  | R/W-0  |
| —     | —   | —   | —   | —   | INT2EP | INT1EP | INT0EP |
| bit 7 |     |     |     |     |        |        | bit 0  |

### Legend:

R = Readable bit                      W = Writable bit                      U = Unimplemented bit, read as '0'  
 -n = Value at POR                      '1' = Bit is set                      '0' = Bit is cleared                      x = Bit is unknown

- bit 15            **ALTIVT:** Enable Alternate Interrupt Vector Table bit  
                   1 = Uses Alternate Interrupt Vector Table  
                   0 = Uses standard Interrupt Vector Table (default)
- bit 14            **DISI:** DISI Instruction Status bit  
                   1 = DISI instruction is active  
                   0 = DISI instruction is not active
- bit 13-3        **Unimplemented:** Read as '0'
- bit 2            **INT2EP:** External Interrupt 2 Edge Detect Polarity Select bit  
                   1 = Interrupt on negative edge  
                   0 = Interrupt on positive edge
- bit 1            **INT1EP:** External Interrupt 1 Edge Detect Polarity Select bit  
                   1 = Interrupt on negative edge  
                   0 = Interrupt on positive edge
- bit 0            **INT0EP:** External Interrupt 0 Edge Detect Polarity Select bit  
                   1 = Interrupt on negative edge  
                   0 = Interrupt on positive edge

# dsPIC33FJ16(GP/MC)101/102 AND dsPIC33FJ32(GP/MC)101/102/104

## REGISTER 7-5: IFS0: INTERRUPT FLAG STATUS REGISTER 0

|        |     |       |        |        |        |         |       |
|--------|-----|-------|--------|--------|--------|---------|-------|
| U-0    | U-0 | R/W-0 | R/W-0  | R/W-0  | R/W-0  | R/W-0   | R/W-0 |
| —      | —   | AD1IF | U1TXIF | U1RXIF | SPI1IF | SPI1EIF | T3IF  |
| bit 15 |     |       |        |        |        | bit 8   |       |

|       |       |       |     |       |       |       |        |
|-------|-------|-------|-----|-------|-------|-------|--------|
| R/W-0 | R/W-0 | R/W-0 | U-0 | R/W-0 | R/W-0 | R/W-0 | R/W-0  |
| T2IF  | OC2IF | IC2IF | —   | T1IF  | OC1IF | IC1IF | INT0IF |
| bit 7 |       |       |     |       |       | bit 0 |        |

### Legend:

|                   |                  |                                    |
|-------------------|------------------|------------------------------------|
| R = Readable bit  | W = Writable bit | U = Unimplemented bit, read as '0' |
| -n = Value at POR | '1' = Bit is set | '0' = Bit is cleared               |
|                   |                  | x = Bit is unknown                 |

- bit 15-14      **Unimplemented:** Read as '0'
- bit 13        **AD1IF:** ADC1 Conversion Complete Interrupt Flag Status bit  
1 = Interrupt request has occurred  
0 = Interrupt request has not occurred
- bit 12        **U1TXIF:** UART1 Transmitter Interrupt Flag Status bit  
1 = Interrupt request has occurred  
0 = Interrupt request has not occurred
- bit 11        **U1RXIF:** UART1 Receiver Interrupt Flag Status bit  
1 = Interrupt request has occurred  
0 = Interrupt request has not occurred
- bit 10        **SPI1IF:** SPI1 Event Interrupt Flag Status bit  
1 = Interrupt request has occurred  
0 = Interrupt request has not occurred
- bit 9          **SPI1EIF:** SPI1 Fault Interrupt Flag Status bit  
1 = Interrupt request has occurred  
0 = Interrupt request has not occurred
- bit 8          **T3IF:** Timer3 Interrupt Flag Status bit  
1 = Interrupt request has occurred  
0 = Interrupt request has not occurred
- bit 7          **T2IF:** Timer2 Interrupt Flag Status bit  
1 = Interrupt request has occurred  
0 = Interrupt request has not occurred
- bit 6          **OC2IF:** Output Compare Channel 2 Interrupt Flag Status bit  
1 = Interrupt request has occurred  
0 = Interrupt request has not occurred
- bit 5          **IC2IF:** Input Capture Channel 2 Interrupt Flag Status bit  
1 = Interrupt request has occurred  
0 = Interrupt request has not occurred
- bit 4          **Unimplemented:** Read as '0'
- bit 3          **T1IF:** Timer1 Interrupt Flag Status bit  
1 = Interrupt request has occurred  
0 = Interrupt request has not occurred

## REGISTER 7-5: IFS0: INTERRUPT FLAG STATUS REGISTER 0 (CONTINUED)

- bit 2      **OC1IF:** Output Compare Channel 1 Interrupt Flag Status bit  
1 = Interrupt request has occurred  
0 = Interrupt request has not occurred
- bit 1      **IC1IF:** Input Capture Channel 1 Interrupt Flag Status bit  
1 = Interrupt request has occurred  
0 = Interrupt request has not occurred
- bit 0      **INT0IF:** External Interrupt 0 Flag Status bit  
1 = Interrupt request has occurred  
0 = Interrupt request has not occurred



# dsPIC33FJ16(GP/MC)101/102 AND dsPIC33FJ32(GP/MC)101/102/104

## REGISTER 7-6: IFS1: INTERRUPT FLAG STATUS REGISTER 1

|        |     |        |                     |                     |     |       |     |
|--------|-----|--------|---------------------|---------------------|-----|-------|-----|
| U-0    | U-0 | R/W-0  | R/W-0               | R/W-0               | U-0 | U-0   | U-0 |
| —      | —   | INT2IF | T5IF <sup>(1)</sup> | T4IF <sup>(1)</sup> | —   | —     | —   |
| bit 15 |     |        |                     |                     |     | bit 8 |     |

|       |     |     |        |       |       |         |         |
|-------|-----|-----|--------|-------|-------|---------|---------|
| U-0   | U-0 | U-0 | R/W-0  | R/W-0 | R/W-0 | R/W-0   | R/W-0   |
| —     | —   | —   | INT1IF | CNIF  | CMIF  | MI2C1IF | SI2C1IF |
| bit 7 |     |     |        |       |       | bit 0   |         |

### Legend:

R = Readable bit                      W = Writable bit                      U = Unimplemented bit, read as '0'  
-n = Value at POR                      '1' = Bit is set                      '0' = Bit is cleared                      x = Bit is unknown

- bit 15-14      **Unimplemented:** Read as '0'
- bit 13      **INT2IF:** External Interrupt 2 Flag Status bit  
                    1 = Interrupt request has occurred  
                    0 = Interrupt request has not occurred
- bit 12      **T5IF:** Timer5 Interrupt Flag Status bit<sup>(1)</sup>  
                    1 = Interrupt request has occurred  
                    0 = Interrupt request has not occurred
- bit 11      **T4IF:** Timer4 Interrupt Flag Status bit<sup>(1)</sup>  
                    1 = Interrupt request has occurred  
                    0 = Interrupt request has not occurred
- bit 10-5      **Unimplemented:** Read as '0'
- bit 4      **INT1IF:** External Interrupt 1 Flag Status bit  
                    1 = Interrupt request has occurred  
                    0 = Interrupt request has not occurred
- bit 3      **CNIF:** Input Change Notification Interrupt Flag Status bit  
                    1 = Interrupt request has occurred  
                    0 = Interrupt request has not occurred
- bit 2      **CMIF:** Comparator Interrupt Flag Status bit  
                    1 = Interrupt request has occurred  
                    0 = Interrupt request has not occurred
- bit 1      **MI2C1IF:** I2C1 Master Events Interrupt Flag Status bit  
                    1 = Interrupt request has occurred  
                    0 = Interrupt request has not occurred
- bit 0      **SI2C1IF:** I2C1 Slave Events Interrupt Flag Status bit  
                    1 = Interrupt request has occurred  
                    0 = Interrupt request has not occurred

**Note 1:** This bit is available in dsPIC33FJ32(GP/MC)10X devices only.

# dsPIC33FJ16(GP/MC)101/102 AND dsPIC33FJ32(GP/MC)101/102/104

## REGISTER 7-7: IFS2: INTERRUPT FLAG STATUS REGISTER 2

|        |     |     |     |     |     |     |       |
|--------|-----|-----|-----|-----|-----|-----|-------|
| U-0    | U-0 | U-0 | U-0 | U-0 | U-0 | U-0 | U-0   |
| —      | —   | —   | —   | —   | —   | —   | —     |
| bit 15 |     |     |     |     |     |     | bit 8 |

|       |     |       |     |     |     |     |       |
|-------|-----|-------|-----|-----|-----|-----|-------|
| U-0   | U-0 | R/W-0 | U-0 | U-0 | U-0 | U-0 | U-0   |
| —     | —   | IC3IF | —   | —   | —   | —   | —     |
| bit 7 |     |       |     |     |     |     | bit 0 |

### Legend:

R = Readable bit                      W = Writable bit                      U = Unimplemented bit, read as '0'  
 -n = Value at POR                      '1' = Bit is set                      '0' = Bit is cleared                      x = Bit is unknown

- bit 15-6            **Unimplemented:** Read as '0'
- bit 5              **IC3IF:** Input Capture Channel 3 Interrupt Flag Status bit  
                     1 = Interrupt request has occurred  
                     0 = Interrupt request has not occurred
- bit 4-0            **Unimplemented:** Read as '0'

## REGISTER 7-8: IFS3: INTERRUPT FLAG STATUS REGISTER 3

|                        |       |     |     |     |     |                       |       |
|------------------------|-------|-----|-----|-----|-----|-----------------------|-------|
| R/W-0                  | R/W-0 | U-0 | U-0 | U-0 | U-0 | R/W-0                 | U-0   |
| FLTA1IF <sup>(1)</sup> | RTCIF | —   | —   | —   | —   | PWM1IF <sup>(1)</sup> | —     |
| bit 15                 |       |     |     |     |     |                       | bit 8 |

|       |     |     |     |     |     |     |       |
|-------|-----|-----|-----|-----|-----|-----|-------|
| U-0   | U-0 | U-0 | U-0 | U-0 | U-0 | U-0 | U-0   |
| —     | —   | —   | —   | —   | —   | —   | —     |
| bit 7 |     |     |     |     |     |     | bit 0 |

### Legend:

R = Readable bit                      W = Writable bit                      U = Unimplemented bit, read as '0'  
 -n = Value at POR                      '1' = Bit is set                      '0' = Bit is cleared                      x = Bit is unknown

- bit 15            **FLTA1IF:** PWM1 Fault A Interrupt Flag Status bit<sup>(1)</sup>  
                     1 = Interrupt request has occurred  
                     0 = Interrupt request has not occurred
- bit 14            **RTCIF:** RTCC Interrupt Flag Status bit  
                     1 = Interrupt request has occurred  
                     0 = Interrupt request has not occurred
- bit 13-10        **Unimplemented:** Read as '0'
- bit 9             **PWM1IF:** PWM1 Interrupt Flag Status bit<sup>(1)</sup>  
                     1 = Interrupt request has occurred  
                     0 = Interrupt request has not occurred
- bit 8-0           **Unimplemented:** Read as '0'

**Note 1:** This bit is available in dsPIC(16/32)MC10X devices only.

# dsPIC33FJ16(GP/MC)101/102 AND dsPIC33FJ32(GP/MC)101/102/104

## REGISTER 7-9: IFS4: INTERRUPT FLAG STATUS REGISTER 4

|        |     |        |     |     |     |     |       |
|--------|-----|--------|-----|-----|-----|-----|-------|
| U-0    | U-0 | R/W-0  | U-0 | U-0 | U-0 | U-0 | U-0   |
| —      | —   | CTMUIF | —   | —   | —   | —   | —     |
| bit 15 |     |        |     |     |     |     | bit 8 |

|       |     |     |     |     |     |       |                        |
|-------|-----|-----|-----|-----|-----|-------|------------------------|
| U-0   | U-0 | U-0 | U-0 | U-0 | U-0 | R/W-0 | R/W-0                  |
| —     | —   | —   | —   | —   | —   | U1EIF | FLTB1IF <sup>(1)</sup> |
| bit 7 |     |     |     |     |     |       | bit 0                  |

|                   |                  |                                    |                    |
|-------------------|------------------|------------------------------------|--------------------|
| <b>Legend:</b>    |                  |                                    |                    |
| R = Readable bit  | W = Writable bit | U = Unimplemented bit, read as '0' |                    |
| -n = Value at POR | '1' = Bit is set | '0' = Bit is cleared               | x = Bit is unknown |

- bit 15-14     **Unimplemented:** Read as '0'
- bit 13       **CTMUIF:** CTMU Interrupt Flag Status bit
  - 1 = Interrupt request has occurred
  - 0 = Interrupt request has not occurred
- bit 12-2     **Unimplemented:** Read as '0'
- bit 1        **U1EIF:** UART1 Error Interrupt Flag Status bit
  - 1 = Interrupt request has occurred
  - 0 = Interrupt request has not occurred
- bit 0        **FLTB1IF:** PWM1 Fault B Interrupt Flag Status bit<sup>(1)</sup>
  - 1 = Interrupt request has occurred
  - 0 = Interrupt request has not occurred

**Note 1:** This bit is available in dsPIC(16/32)MC102/104 devices only.

# dsPIC33FJ16(GP/MC)101/102 AND dsPIC33FJ32(GP/MC)101/102/104

## REGISTER 7-10: IEC0: INTERRUPT ENABLE CONTROL REGISTER 0

|        |     |       |        |        |        |         |       |
|--------|-----|-------|--------|--------|--------|---------|-------|
| U-0    | U-0 | R/W-0 | R/W-0  | R/W-0  | R/W-0  | R/W-0   | R/W-0 |
| —      | —   | AD1IE | U1TXIE | U1RXIE | SPI1IE | SPI1EIE | T3IE  |
| bit 15 |     |       |        |        |        |         | bit 8 |

|       |       |       |     |       |       |       |        |
|-------|-------|-------|-----|-------|-------|-------|--------|
| R/W-0 | R/W-0 | R/W-0 | U-0 | R/W-0 | R/W-0 | R/W-0 | R/W-0  |
| T2IE  | OC2IE | IC2IE | —   | T1IE  | OC1IE | IC1IE | INT0IE |
| bit 7 |       |       |     |       |       |       | bit 0  |

### Legend:

R = Readable bit                      W = Writable bit                      U = Unimplemented bit, read as '0'  
 -n = Value at POR                      '1' = Bit is set                      '0' = Bit is cleared                      x = Bit is unknown

- bit 15-14      **Unimplemented:** Read as '0'
- bit 13        **AD1IE:** ADC1 Conversion Complete Interrupt Enable bit  
                  1 = Interrupt request is enabled  
                  0 = Interrupt request is not enabled
- bit 12        **U1TXIE:** UART1 Transmitter Interrupt Enable bit  
                  1 = Interrupt request is enabled  
                  0 = Interrupt request is not enabled
- bit 11        **U1RXIE:** UART1 Receiver Interrupt Enable bit  
                  1 = Interrupt request is enabled  
                  0 = Interrupt request is not enabled
- bit 10        **SPI1IE:** SPI1 Event Interrupt Enable bit  
                  1 = Interrupt request is enabled  
                  0 = Interrupt request is not enabled
- bit 9         **SPI1EIE:** SPI1 Event Interrupt Enable bit  
                  1 = Interrupt request is enabled  
                  0 = Interrupt request is not enabled
- bit 8         **T3IE:** Timer3 Interrupt Enable bit  
                  1 = Interrupt request is enabled  
                  0 = Interrupt request is not enabled
- bit 7         **T2IE:** Timer2 Interrupt Enable bit  
                  1 = Interrupt request is enabled  
                  0 = Interrupt request is not enabled
- bit 6         **OC2IE:** Output Compare Channel 2 Interrupt Enable bit  
                  1 = Interrupt request is enabled  
                  0 = Interrupt request is not enabled
- bit 5         **IC2IE:** Input Capture Channel 2 Interrupt Enable bit  
                  1 = Interrupt request is enabled  
                  0 = Interrupt request is not enabled
- bit 4         **Unimplemented:** Read as '0'
- bit 3         **T1IE:** Timer1 Interrupt Enable bit  
                  1 = Interrupt request is enabled  
                  0 = Interrupt request is not enabled
- bit 2         **OC1IE:** Output Compare Channel 1 Interrupt Enable bit  
                  1 = Interrupt request is enabled  
                  0 = Interrupt request is not enabled
- bit 1         **IC1IE:** Input Capture Channel 1 Interrupt Enable bit  
                  1 = Interrupt request is enabled  
                  0 = Interrupt request is not enabled
- bit 0         **INT0IE:** External Interrupt 0 Enable bit  
                  1 = Interrupt request is enabled  
                  0 = Interrupt request is not enabled

# dsPIC33FJ16(GP/MC)101/102 AND dsPIC33FJ32(GP/MC)101/102/104

## REGISTER 7-11: IEC1: INTERRUPT ENABLE CONTROL REGISTER 1

|        |     |        |                     |                     |     |       |     |
|--------|-----|--------|---------------------|---------------------|-----|-------|-----|
| U-0    | U-0 | R/W-0  | R/W-0               | R/W-0               | U-0 | U-0   | U-0 |
| —      | —   | INT2IE | T5IE <sup>(1)</sup> | T4IE <sup>(1)</sup> | —   | —     | —   |
| bit 15 |     |        |                     |                     |     | bit 8 |     |

|       |     |     |        |      |       |         |         |
|-------|-----|-----|--------|------|-------|---------|---------|
| U-0   | U-0 | U-0 | U-0    | U-0  | R/W-0 | R/W-0   | R/W-0   |
| —     | —   | —   | INT1IE | CNIE | CMIE  | MI2C1IE | SI2C1IE |
| bit 7 |     |     |        |      |       | bit 0   |         |

### Legend:

R = Readable bit

W = Writable bit

U = Unimplemented bit, read as '0'

-n = Value at POR

'1' = Bit is set

'0' = Bit is cleared

x = Bit is unknown

- bit 15-14     **Unimplemented:** Read as '0'
- bit 13        **INT2IE:** External Interrupt 2 Enable bit  
                   1 = Interrupt request is enabled  
                   0 = Interrupt request is not enabled
- bit 12        **T5IE:** Timer5 Interrupt Enable bit<sup>(1)</sup>  
                   1 = Interrupt request has occurred  
                   0 = Interrupt request has not occurred
- bit 11        **T4IE:** Timer4 Interrupt Enable bit<sup>(1)</sup>  
                   1 = Interrupt request has occurred  
                   0 = Interrupt request has not occurred
- bit 10-5      **Unimplemented:** Read as '0'
- bit 4          **INT1IE:** External Interrupt 1 Enable bit  
                   1 = Interrupt request is enabled  
                   0 = Interrupt request is not enabled
- bit 3          **CNIE:** Input Change Notification Interrupt Enable bit  
                   1 = Interrupt request is enabled  
                   0 = Interrupt request is not enabled
- bit 2          **CMIE:** Comparator Interrupt Enable bit  
                   1 = Interrupt request is enabled  
                   0 = Interrupt request is not enabled
- bit 1          **MI2C1IE:** I2C1 Master Events Interrupt Enable bit  
                   1 = Interrupt request is enabled  
                   0 = Interrupt request is not enabled
- bit 0          **SI2C1IE:** I2C1 Slave Events Interrupt Enable bit  
                   1 = Interrupt request is enabled  
                   0 = Interrupt request is not enabled

**Note 1:** This bit is available in dsPIC33FJ32(GP/MC)10X devices only.

# dsPIC33FJ16(GP/MC)101/102 AND dsPIC33FJ32(GP/MC)101/102/104

## REGISTER 7-12: IEC2: INTERRUPT ENABLE CONTROL REGISTER 2

|        |     |     |     |     |     |       |     |
|--------|-----|-----|-----|-----|-----|-------|-----|
| U-0    | U-0 | U-0 | U-0 | U-0 | U-0 | U-0   | U-0 |
| —      | —   | —   | —   | —   | —   | —     | —   |
| bit 15 |     |     |     |     |     | bit 8 |     |

|       |     |       |     |     |     |       |     |
|-------|-----|-------|-----|-----|-----|-------|-----|
| U-0   | U-0 | R/W-0 | U-0 | U-0 | U-0 | U-0   | U-0 |
| —     | —   | IC3IE | —   | —   | —   | —     | —   |
| bit 7 |     |       |     |     |     | bit 0 |     |

### Legend:

R = Readable bit                      W = Writable bit                      U = Unimplemented bit, read as '0'  
 -n = Value at POR                      '1' = Bit is set                      '0' = Bit is cleared                      x = Bit is unknown

- bit 15-6            **Unimplemented:** Read as '0'
- bit 5              **IC3IE:** Input Capture Channel 3 Interrupt Enable bit  
                     1 = Interrupt request is enabled  
                     0 = Interrupt request is not enabled
- bit 4-0            **Unimplemented:** Read as '0'

## REGISTER 7-13: IEC3: INTERRUPT ENABLE CONTROL REGISTER 3

|                        |       |     |     |     |     |                       |     |
|------------------------|-------|-----|-----|-----|-----|-----------------------|-----|
| R/W-0                  | R/W-0 | U-0 | U-0 | U-0 | U-0 | R/W-0                 | U-0 |
| FLTA1IE <sup>(1)</sup> | RTCIE | —   | —   | —   | —   | PWM1IE <sup>(1)</sup> | —   |
| bit 15                 |       |     |     |     |     | bit 8                 |     |

|       |     |     |     |     |     |       |     |
|-------|-----|-----|-----|-----|-----|-------|-----|
| U-0   | U-0 | U-0 | U-0 | U-0 | U-0 | U-0   | U-0 |
| —     | —   | —   | —   | —   | —   | —     | —   |
| bit 7 |     |     |     |     |     | bit 0 |     |

### Legend:

R = Readable bit                      W = Writable bit                      U = Unimplemented bit, read as '0'  
 -n = Value at POR                      '1' = Bit is set                      '0' = Bit is cleared                      x = Bit is unknown

- bit 15            **FLTA1IE:** PWM1 Fault A Interrupt Enable bit<sup>(1)</sup>  
                     1 = Interrupt request is enabled  
                     0 = Interrupt request is not enabled
- bit 14            **RTCIE:** RTCC Interrupt Enable bit  
                     1 = Interrupt request is enabled  
                     0 = Interrupt request is not enabled
- bit 13-10       **Unimplemented:** Read as '0'
- bit 9             **PWM1IE:** PWM1 Interrupt Enable bit<sup>(1)</sup>  
                     1 = Interrupt request is enabled  
                     0 = Interrupt request is not enabled
- bit 8-0           **Unimplemented:** Read as '0'

**Note 1:** This bit is available in dsPIC(16/32)MC10X devices only.

# dsPIC33FJ16(GP/MC)101/102 AND dsPIC33FJ32(GP/MC)101/102/104

## REGISTER 7-14: IEC4: INTERRUPT ENABLE CONTROL REGISTER 4

|        |     |        |     |     |     |       |     |
|--------|-----|--------|-----|-----|-----|-------|-----|
| U-0    | U-0 | R/W-0  | U-0 | U-0 | U-0 | U-0   | U-0 |
| —      | —   | CTMUIE | —   | —   | —   | —     | —   |
| bit 15 |     |        |     |     |     | bit 8 |     |

|       |     |     |     |     |     |       |                        |
|-------|-----|-----|-----|-----|-----|-------|------------------------|
| U-0   | U-0 | U-0 | U-0 | U-0 | U-0 | R/W-0 | R/W-0                  |
| —     | —   | —   | —   | —   | —   | U1EIE | FLTB1IE <sup>(1)</sup> |
| bit 7 |     |     |     |     |     | bit 0 |                        |

### Legend:

R = Readable bit

W = Writable bit

U = Unimplemented bit, read as '0'

-n = Value at POR

'1' = Bit is set

'0' = Bit is cleared

x = Bit is unknown

bit 15-14 **Unimplemented:** Read as '0'

bit 13 **CTMUIE:** CTMU Interrupt Enable bit

1 = Interrupt request is enabled

0 = Interrupt request is not enabled

bit 12-2 **Unimplemented:** Read as '0'

bit 1 **U1EIE:** UART1 Error Interrupt Enable bit

1 = Interrupt request is enabled

0 = Interrupt request is not enabled

bit 0 **FLTB1IE:** PWM1 Fault B Interrupt Enable bit<sup>(1)</sup>

1 = Interrupt request has occurred

0 = Interrupt request has not occurred

**Note 1:** This bit is available in dsPIC(16/32)MC102/104 devices only.

# dsPIC33FJ16(GP/MC)101/102 AND dsPIC33FJ32(GP/MC)101/102/104

## REGISTER 7-15: IPC0: INTERRUPT PRIORITY CONTROL REGISTER 0

|        |           |       |       |       |            |       |       |
|--------|-----------|-------|-------|-------|------------|-------|-------|
| U-0    | R/W-1     | R/W-0 | R/W-0 | U-0   | R/W-1      | R/W-0 | R/W-0 |
| —      | T1IP<2:0> |       |       | —     | OC1IP<2:0> |       |       |
| bit 15 |           |       |       | bit 8 |            |       |       |

|       |            |       |       |       |             |       |       |
|-------|------------|-------|-------|-------|-------------|-------|-------|
| U-0   | R/W-1      | R/W-0 | R/W-0 | U-0   | R/W-1       | R/W-0 | R/W-0 |
| —     | IC1IP<2:0> |       |       | —     | INT0IP<2:0> |       |       |
| bit 7 |            |       |       | bit 0 |             |       |       |

### Legend:

R = Readable bit

W = Writable bit

U = Unimplemented bit, read as '0'

-n = Value at POR

'1' = Bit is set

'0' = Bit is cleared

x = Bit is unknown

bit 15 **Unimplemented:** Read as '0'

bit 14-12 **T1IP<2:0>:** Timer1 Interrupt Priority bits

111 = Interrupt is Priority 7 (highest priority interrupt)

•

•

•

001 = Interrupt is Priority 1

000 = Interrupt source is disabled

bit 11 **Unimplemented:** Read as '0'

bit 10-8 **OC1IP<2:0>:** Output Compare Channel 1 Interrupt Priority bits

111 = Interrupt is Priority 7 (highest priority interrupt)

•

•

•

001 = Interrupt is Priority 1

000 = Interrupt source is disabled

bit 7 **Unimplemented:** Read as '0'

bit 6-4 **IC1IP<2:0>:** Input Capture Channel 1 Interrupt Priority bits

111 = Interrupt is Priority 7 (highest priority interrupt)

•

•

•

001 = Interrupt is Priority 1

000 = Interrupt source is disabled

bit 3 **Unimplemented:** Read as '0'

bit 2-0 **INT0IP<2:0>:** External Interrupt 0 Priority bits

111 = Interrupt is Priority 7 (highest priority interrupt)

•

•

•

001 = Interrupt is Priority 1

000 = Interrupt source is disabled



# dsPIC33FJ16(GP/MC)101/102 AND dsPIC33FJ32(GP/MC)101/102/104

## REGISTER 7-16: IPC1: INTERRUPT PRIORITY CONTROL REGISTER 1

|        |           |       |       |       |            |       |       |
|--------|-----------|-------|-------|-------|------------|-------|-------|
| U-0    | R/W-1     | R/W-0 | R/W-0 | U-0   | R/W-1      | R/W-0 | R/W-0 |
| —      | T2IP<2:0> |       |       | —     | OC2IP<2:0> |       |       |
| bit 15 |           |       |       | bit 8 |            |       |       |

|       |            |       |       |       |     |     |     |
|-------|------------|-------|-------|-------|-----|-----|-----|
| U-0   | R/W-1      | R/W-0 | R/W-0 | U-0   | U-0 | U-0 | U-0 |
| —     | IC2IP<2:0> |       |       | —     | —   | —   | —   |
| bit 7 |            |       |       | bit 0 |     |     |     |

### Legend:

R = Readable bit

W = Writable bit

U = Unimplemented bit, read as '0'

-n = Value at POR

'1' = Bit is set

'0' = Bit is cleared

x = Bit is unknown

bit 15 **Unimplemented:** Read as '0'

bit 14-12 **T2IP<2:0>:** Timer2 Interrupt Priority bits

111 = Interrupt is Priority 7 (highest priority interrupt)

•

•

•

001 = Interrupt is Priority 1

000 = Interrupt source is disabled

bit 11 **Unimplemented:** Read as '0'

bit 10-8 **OC2IP<2:0>:** Output Compare Channel 2 Interrupt Priority bits

111 = Interrupt is Priority 7 (highest priority interrupt)

•

•

•

001 = Interrupt is Priority 1

000 = Interrupt source is disabled

bit 7 **Unimplemented:** Read as '0'

bit 6-4 **IC2IP<2:0>:** Input Capture Channel 2 Interrupt Priority bits

111 = Interrupt is Priority 7 (highest priority interrupt)

•

•

•

001 = Interrupt is Priority 1

000 = Interrupt source is disabled

bit 3-0 **Unimplemented:** Read as '0'

# dsPIC33FJ16(GP/MC)101/102 AND dsPIC33FJ32(GP/MC)101/102/104

## REGISTER 7-17: IPC2: INTERRUPT PRIORITY CONTROL REGISTER 2

|        |             |       |       |       |             |       |       |
|--------|-------------|-------|-------|-------|-------------|-------|-------|
| U-0    | R/W-1       | R/W-0 | R/W-0 | U-0   | R/W-1       | R/W-0 | R/W-0 |
| —      | U1RXIP<2:0> |       |       | —     | SPI1IP<2:0> |       |       |
| bit 15 |             |       |       | bit 8 |             |       |       |

|       |              |       |       |       |           |       |       |
|-------|--------------|-------|-------|-------|-----------|-------|-------|
| U-0   | R/W-1        | R/W-0 | R/W-0 | U-0   | R/W-1     | R/W-0 | R/W-0 |
| —     | SPI1EIP<2:0> |       |       | —     | T3IP<2:0> |       |       |
| bit 7 |              |       |       | bit 0 |           |       |       |

### Legend:

R = Readable bit

W = Writable bit

U = Unimplemented bit, read as '0'

-n = Value at POR

'1' = Bit is set

'0' = Bit is cleared

x = Bit is unknown

- bit 15      **Unimplemented:** Read as '0'
- bit 14-12    **U1RXIP<2:0>:** UART1 Receiver Interrupt Priority bits  
 111 = Interrupt is Priority 7 (highest priority interrupt)  
 •  
 •  
 •  
 001 = Interrupt is Priority 1  
 000 = Interrupt source is disabled
- bit 11      **Unimplemented:** Read as '0'
- bit 10-8    **SPI1IP<2:0>:** SPI1 Event Interrupt Priority bits  
 111 = Interrupt is Priority 7 (highest priority interrupt)  
 •  
 •  
 •  
 001 = Interrupt is Priority 1  
 000 = Interrupt source is disabled
- bit 7        **Unimplemented:** Read as '0'
- bit 6-4     **SPI1EIP<2:0>:** SPI1 Error Interrupt Priority bits  
 111 = Interrupt is Priority 7 (highest priority interrupt)  
 •  
 •  
 •  
 001 = Interrupt is Priority 1  
 000 = Interrupt source is disabled
- bit 3        **Unimplemented:** Read as '0'
- bit 2-0     **T3IP<2:0>:** Timer3 Interrupt Priority bits  
 111 = Interrupt is Priority 7 (highest priority interrupt)  
 •  
 •  
 •  
 001 = Interrupt is Priority 1  
 000 = Interrupt source is disabled

# dsPIC33FJ16(GP/MC)101/102 AND dsPIC33FJ32(GP/MC)101/102/104

## REGISTER 7-18: IPC3: INTERRUPT PRIORITY CONTROL REGISTER 3

|        |     |     |     |     |     |     |       |
|--------|-----|-----|-----|-----|-----|-----|-------|
| U-0    | U-0 | U-0 | U-0 | U-0 | U-0 | U-0 | U-0   |
| —      | —   | —   | —   | —   | —   | —   | —     |
| bit 15 |     |     |     |     |     |     | bit 8 |

|       |            |       |       |       |             |       |       |
|-------|------------|-------|-------|-------|-------------|-------|-------|
| U-0   | R/W-1      | R/W-0 | R/W-0 | U-0   | R/W-1       | R/W-0 | R/W-0 |
| —     | AD1IP<2:0> |       |       | —     | U1TXIP<2:0> |       |       |
| bit 7 |            |       |       | bit 0 |             |       |       |

|                   |                  |                                    |                    |
|-------------------|------------------|------------------------------------|--------------------|
| <b>Legend:</b>    |                  |                                    |                    |
| R = Readable bit  | W = Writable bit | U = Unimplemented bit, read as '0' |                    |
| -n = Value at POR | '1' = Bit is set | '0' = Bit is cleared               | x = Bit is unknown |

- bit 15-7      **Unimplemented:** Read as '0'
- bit 6-4      **AD1IP<2:0>:** ADC1 Conversion Complete Interrupt Priority bits
  - 111 = Interrupt is Priority 7 (highest priority interrupt)
  - 
  - 
  - 
  - 001 = Interrupt is Priority 1
  - 000 = Interrupt source is disabled
- bit 3        **Unimplemented:** Read as '0'
- bit 2-0      **U1TXIP<2:0>:** UART1 Transmitter Interrupt Priority bits
  - 111 = Interrupt is Priority 7 (highest priority interrupt)
  - 
  - 
  - 
  - 001 = Interrupt is Priority 1
  - 000 = Interrupt source is disabled

# dsPIC33FJ16(GP/MC)101/102 AND dsPIC33FJ32(GP/MC)101/102/104

## REGISTER 7-19: IPC4: INTERRUPT PRIORITY CONTROL REGISTER 4

|        |           |       |       |       |           |       |       |
|--------|-----------|-------|-------|-------|-----------|-------|-------|
| U-0    | R/W-1     | R/W-0 | R/W-0 | U-0   | R/W-1     | R/W-0 | R/W-0 |
| —      | CNIP<2:0> |       |       | —     | CMIP<2:0> |       |       |
| bit 15 |           |       |       | bit 8 |           |       |       |

|       |              |       |       |       |              |       |       |
|-------|--------------|-------|-------|-------|--------------|-------|-------|
| U-0   | R/W-1        | R/W-0 | R/W-0 | U-0   | R/W-1        | R/W-0 | R/W-0 |
| —     | MI2C1IP<2:0> |       |       | —     | SI2C1IP<2:0> |       |       |
| bit 7 |              |       |       | bit 0 |              |       |       |

### Legend:

R = Readable bit                      W = Writable bit                      U = Unimplemented bit, read as '0'  
 -n = Value at POR                      '1' = Bit is set                      '0' = Bit is cleared                      x = Bit is unknown

- bit 15                      **Unimplemented:** Read as '0'
- bit 14-12                **CNIP<2:0>:** Change Notification Interrupt Priority bits
  - 111 = Interrupt is Priority 7 (highest priority interrupt)
  - 
  - 
  - 
  - 001 = Interrupt is Priority 1
  - 000 = Interrupt source is disabled
- bit 11                      **Unimplemented:** Read as '0'
- bit 10-8                **CMIP<2:0>:** Comparator Interrupt Priority bits
  - 111 = Interrupt is Priority 7 (highest priority interrupt)
  - 
  - 
  - 
  - 001 = Interrupt is Priority 1
  - 000 = Interrupt source is disabled
- bit 7                      **Unimplemented:** Read as '0'
- bit 6-4                **MI2C1IP<2:0>:** I2C1 Master Events Interrupt Priority bits
  - 111 = Interrupt is Priority 7 (highest priority interrupt)
  - 
  - 
  - 
  - 001 = Interrupt is Priority 1
  - 000 = Interrupt source is disabled
- bit 3                      **Unimplemented:** Read as '0'
- bit 2-0                **SI2C1IP<2:0>:** I2C1 Slave Events Interrupt Priority bits
  - 111 = Interrupt is Priority 7 (highest priority interrupt)
  - 
  - 
  - 
  - 001 = Interrupt is Priority 1
  - 000 = Interrupt source is disabled

# dsPIC33FJ16(GP/MC)101/102 AND dsPIC33FJ32(GP/MC)101/102/104

## REGISTER 7-20: IPC5: INTERRUPT PRIORITY CONTROL REGISTER 5

|        |     |     |     |     |     |       |     |
|--------|-----|-----|-----|-----|-----|-------|-----|
| U-0    | U-0 | U-0 | U-0 | U-0 | U-0 | U-0   | U-0 |
| —      | —   | —   | —   | —   | —   | —     | —   |
| bit 15 |     |     |     |     |     | bit 8 |     |

|       |     |     |     |     |             |       |       |
|-------|-----|-----|-----|-----|-------------|-------|-------|
| U-0   | U-0 | U-0 | U-0 | U-0 | R/W-1       | R/W-0 | R/W-0 |
| —     | —   | —   | —   | —   | INT1IP<2:0> |       |       |
| bit 7 |     |     |     |     | bit 0       |       |       |

### Legend:

R = Readable bit                      W = Writable bit                      U = Unimplemented bit, read as '0'  
 -n = Value at POR                      '1' = Bit is set                      '0' = Bit is cleared                      x = Bit is unknown

bit 15-3                      **Unimplemented:** Read as '0'  
 bit 2-0                      **INT1IP<2:0>:** External Interrupt 1 Priority bits  
     111 = Interrupt is Priority 7 (highest priority interrupt)  
     •  
     •  
     •  
     001 = Interrupt is Priority 1  
     000 = Interrupt source is disabled

## REGISTER 7-21: IPC6: INTERRUPT PRIORITY CONTROL REGISTER 6

|        |                          |       |       |     |     |       |     |
|--------|--------------------------|-------|-------|-----|-----|-------|-----|
| U-0    | R/W-1                    | R/W-0 | R/W-0 | U-0 | U-0 | U-0   | U-0 |
| —      | T4IP<2:0> <sup>(1)</sup> |       |       | —   | —   | —     | —   |
| bit 15 |                          |       |       |     |     | bit 8 |     |

|       |     |     |     |     |     |     |       |
|-------|-----|-----|-----|-----|-----|-----|-------|
| U-0   | U-0 | U-0 | U-0 | U-0 | U-0 | U-0 | U-0   |
| —     | —   | —   | —   | —   | —   | —   | —     |
| bit 7 |     |     |     |     |     |     | bit 0 |

### Legend:

R = Readable bit                      W = Writable bit                      U = Unimplemented bit, read as '0'  
 -n = Value at POR                      '1' = Bit is set                      '0' = Bit is cleared                      x = Bit is unknown

bit 15                      **Unimplemented:** Read as '0'  
 bit 14-12                      **T4IP<2:0>:** Timer4 Interrupt Priority bits<sup>(1)</sup>  
     111 = Interrupt is Priority 7 (highest priority interrupt)  
     •  
     •  
     •  
     001 = Interrupt is Priority 1  
     000 = Interrupt source is disabled  
 bit 11-0                      **Unimplemented:** Read as '0'

**Note 1:** These bits are available in dsPIC33FJ32(GP/MC)10X devices only.

# dsPIC33FJ16(GP/MC)101/102 AND dsPIC33FJ32(GP/MC)101/102/104

## REGISTER 7-22: IPC7: INTERRUPT PRIORITY CONTROL REGISTER 7

|        |     |     |     |     |     |     |       |
|--------|-----|-----|-----|-----|-----|-----|-------|
| U-0    | U-0 | U-0 | U-0 | U-0 | U-0 | U-0 | U-0   |
| —      | —   | —   | —   | —   | —   | —   | —     |
| bit 15 |     |     |     |     |     |     | bit 8 |

|       |             |       |       |     |                          |       |       |
|-------|-------------|-------|-------|-----|--------------------------|-------|-------|
| U-0   | R/W-1       | R/W-0 | R/W-0 | U-0 | R/W-1                    | R/W-0 | R/W-0 |
| —     | INT2IP<2:0> |       |       | —   | T5IP<2:0> <sup>(1)</sup> |       |       |
| bit 7 |             |       |       |     |                          |       | bit 0 |

### Legend:

R = Readable bit

W = Writable bit

U = Unimplemented bit, read as '0'

-n = Value at POR

'1' = Bit is set

'0' = Bit is cleared

x = Bit is unknown

bit 15-7 **Unimplemented:** Read as '0'

bit 6-4 **INT2IP<2:0>:** External Interrupt 2 Priority bits

111 = Interrupt is Priority 7 (highest priority interrupt)

•

•

•

001 = Interrupt is Priority 1

000 = Interrupt source is disabled

bit 3 **Unimplemented:** Read as '0'

bit 2-0 **T5IP<2:0>:** Timer5 Interrupt Priority bits<sup>(1)</sup>

111 = Interrupt is Priority 7 (highest priority interrupt)

•

•

•

001 = Interrupt is Priority 1

000 = Interrupt source is disabled

**Note 1:** These bits are available in dsPIC33FJ32(GP/MC)10X devices only.

# dsPIC33FJ16(GP/MC)101/102 AND dsPIC33FJ32(GP/MC)101/102/104

## REGISTER 7-23: IPC9: INTERRUPT PRIORITY CONTROL REGISTER 9

|        |     |     |     |     |     |     |       |
|--------|-----|-----|-----|-----|-----|-----|-------|
| U-0    | U-0 | U-0 | U-0 | U-0 | U-0 | U-0 | U-0   |
| —      | —   | —   | —   | —   | —   | —   | —     |
| bit 15 |     |     |     |     |     |     | bit 8 |

|       |            |       |       |     |     |     |       |
|-------|------------|-------|-------|-----|-----|-----|-------|
| U-0   | R/W-1      | R/W-0 | R/W-0 | U-0 | U-0 | U-0 | U-0   |
| —     | IC3IP<2:0> |       |       | —   | —   | —   | —     |
| bit 7 |            |       |       |     |     |     | bit 0 |

### Legend:

R = Readable bit                      W = Writable bit                      U = Unimplemented bit, read as '0'  
 -n = Value at POR                      '1' = Bit is set                      '0' = Bit is cleared                      x = Bit is unknown

bit 15-7            **Unimplemented:** Read as '0'  
 bit 6-4            **IC3IP<2:0>:** External Interrupt 3 Priority bits  
                     111 = Interrupt is Priority 7 (highest priority interrupt)  
                     •  
                     •  
                     •  
                     001 = Interrupt is Priority 1  
                     000 = Interrupt source is disabled  
 bit 3-0            **Unimplemented:** Read as '0'

## REGISTER 7-24: IPC14: INTERRUPT PRIORITY CONTROL REGISTER 14

|        |     |     |     |     |     |     |       |
|--------|-----|-----|-----|-----|-----|-----|-------|
| U-0    | U-0 | U-0 | U-0 | U-0 | U-0 | U-0 | U-0   |
| —      | —   | —   | —   | —   | —   | —   | —     |
| bit 15 |     |     |     |     |     |     | bit 8 |

|       |                            |       |       |     |     |     |       |
|-------|----------------------------|-------|-------|-----|-----|-----|-------|
| U-0   | R/W-1                      | R/W-0 | R/W-0 | U-0 | U-0 | U-0 | U-0   |
| —     | PWM1IP<2:0> <sup>(1)</sup> |       |       | —   | —   | —   | —     |
| bit 7 |                            |       |       |     |     |     | bit 0 |

### Legend:

R = Readable bit                      W = Writable bit                      U = Unimplemented bit, read as '0'  
 -n = Value at POR                      '1' = Bit is set                      '0' = Bit is cleared                      x = Bit is unknown

bit 15-7            **Unimplemented:** Read as '0'  
 bit 6-4            **PWM1IP<2:0>:** PWM1 Interrupt Priority bits<sup>(1)</sup>  
                     111 = Interrupt is Priority 7 (highest priority interrupt)  
                     •  
                     •  
                     •  
                     001 = Interrupt is Priority 1  
                     000 = Interrupt source is disabled  
 bit 3-0            **Unimplemented:** Read as '0'

**Note 1:** These bits are available in dsPIC(16/32)MC10X devices only.

# dsPIC33FJ16(GP/MC)101/102 AND dsPIC33FJ32(GP/MC)101/102/104

## REGISTER 7-25: IPC15: INTERRUPT PRIORITY CONTROL REGISTER 15

|        |                             |       |       |       |            |       |       |
|--------|-----------------------------|-------|-------|-------|------------|-------|-------|
| U-0    | R/W-1                       | R/W-0 | R/W-0 | U-0   | R/W-1      | R/W-0 | R/W-0 |
| —      | FLTA1IP<2:0> <sup>(1)</sup> |       |       | —     | RTCIP<2:0> |       |       |
| bit 15 |                             |       |       | bit 8 |            |       |       |

|       |     |     |     |     |     |     |       |
|-------|-----|-----|-----|-----|-----|-----|-------|
| U-0   | U-0 | U-0 | U-0 | U-0 | U-0 | U-0 | U-0   |
| —     | —   | —   | —   | —   | —   | —   | —     |
| bit 7 |     |     |     |     |     |     | bit 0 |

### Legend:

R = Readable bit

W = Writable bit

U = Unimplemented bit, read as '0'

-n = Value at POR

'1' = Bit is set

'0' = Bit is cleared

x = Bit is unknown

- bit 15           **Unimplemented:** Read as '0'
- bit 14-12       **FLTA1IP<2:0>:** PWM1 Fault A Interrupt Priority bits<sup>(1)</sup>  
                   111 = Interrupt is Priority 7 (highest priority interrupt)  
                   •  
                   •  
                   •  
                   001 = Interrupt is Priority 1  
                   000 = Interrupt source is disabled
- bit 11           **Unimplemented:** Read as '0'
- bit 10-8        **RTCIP<2:0>:** RTCC Interrupt Priority bits  
                   111 = Interrupt is Priority 7 (highest priority interrupt)  
                   •  
                   •  
                   •  
                   001 = Interrupt is Priority 1  
                   000 = Interrupt source is disabled
- bit 7-0          **Unimplemented:** Read as '0'

**Note 1:** These bits are available in dsPIC(16/32)MC10X devices only.



# dsPIC33FJ16(GP/MC)101/102 AND dsPIC33FJ32(GP/MC)101/102/104

## REGISTER 7-26: IPC16: INTERRUPT PRIORITY CONTROL REGISTER 16

|        |     |     |     |     |     |       |     |
|--------|-----|-----|-----|-----|-----|-------|-----|
| U-0    | U-0 | U-0 | U-0 | U-0 | U-0 | U-0   | U-0 |
| —      | —   | —   | —   | —   | —   | —     | —   |
| bit 15 |     |     |     |     |     | bit 8 |     |

|       |            |       |       |       |                             |       |       |
|-------|------------|-------|-------|-------|-----------------------------|-------|-------|
| U-0   | R/W-1      | R/W-0 | R/W-0 | U-0   | R/W-0                       | R/W-0 | R/W-0 |
| —     | U1EIP<2:0> |       |       | —     | FLTB1IP<2:0> <sup>(1)</sup> |       |       |
| bit 7 |            |       |       | bit 0 |                             |       |       |

### Legend:

R = Readable bit

W = Writable bit

U = Unimplemented bit, read as '0'

-n = Value at POR

'1' = Bit is set

'0' = Bit is cleared

x = Bit is unknown

bit 15-7 **Unimplemented:** Read as '0'

bit 6-4 **U1EIP<2:0>:** UART1 Error Interrupt Priority bits  
 111 = Interrupt is Priority 7 (highest priority interrupt)  
 •  
 •  
 •  
 001 = Interrupt is Priority 1  
 000 = Interrupt source is disabled

bit 3 **Unimplemented:** Read as '0'

bit 2-0 **FLTB1IP<2:0>:** PWM1 Fault B Interrupt Priority bits<sup>(1)</sup>  
 111 = Interrupt is Priority 7 (highest priority interrupt)  
 •  
 •  
 •  
 001 = Interrupt is Priority 1  
 000 = Interrupt source is disabled

**Note 1:** These bits are available in dsPIC(16/32)MC102/104 devices only.

# dsPIC33FJ16(GP/MC)101/102 AND dsPIC33FJ32(GP/MC)101/102/104

## REGISTER 7-27: IPC19: INTERRUPT PRIORITY CONTROL REGISTER 19

|        |     |     |     |     |     |     |       |
|--------|-----|-----|-----|-----|-----|-----|-------|
| U-0    | U-0 | U-0 | U-0 | U-0 | U-0 | U-0 | U-0   |
| —      | —   | —   | —   | —   | —   | —   | —     |
| bit 15 |     |     |     |     |     |     | bit 8 |

|       |             |       |       |     |     |     |       |
|-------|-------------|-------|-------|-----|-----|-----|-------|
| U-0   | R/W-1       | R/W-0 | R/W-0 | U-0 | U-0 | U-0 | U-0   |
| —     | CTMUIP<2:0> |       |       | —   | —   | —   | —     |
| bit 7 |             |       |       |     |     |     | bit 0 |

### Legend:

R = Readable bit                      W = Writable bit                      U = Unimplemented bit, read as '0'  
 -n = Value at POR                      '1' = Bit is set                      '0' = Bit is cleared                      x = Bit is unknown

- bit 15-7            **Unimplemented:** Read as '0'
- bit 6-4            **CTMUIP<2:0>:** CTMU Interrupt Priority bits
  - 111 = Interrupt is Priority 7 (highest priority interrupt)
  - 
  - 
  - 
  - 001 = Interrupt is Priority 1
  - 000 = Interrupt source is disabled
- bit 3-0            **Unimplemented:** Read as '0'

# dsPIC33FJ16(GP/MC)101/102 AND dsPIC33FJ32(GP/MC)101/102/104

## REGISTER 7-28: INTTREG: INTERRUPT CONTROL AND STATUS REGISTER

|        |     |     |     |          |     |     |     |
|--------|-----|-----|-----|----------|-----|-----|-----|
| U-0    | U-0 | U-0 | U-0 | R-0      | R-0 | R-0 | R-0 |
| —      | —   | —   | —   | ILR<3:0> |     |     |     |
| bit 15 |     |     |     | bit 8    |     |     |     |

|       |             |     |     |     |     |     |       |
|-------|-------------|-----|-----|-----|-----|-----|-------|
| U-0   | R-0         | R-0 | R-0 | R-0 | R-0 | R-0 | R-0   |
| —     | VECNUM<6:0> |     |     |     |     |     |       |
| bit 7 |             |     |     |     |     |     | bit 0 |

|                   |                  |                                    |                    |
|-------------------|------------------|------------------------------------|--------------------|
| <b>Legend:</b>    |                  |                                    |                    |
| R = Readable bit  | W = Writable bit | U = Unimplemented bit, read as '0' |                    |
| -n = Value at POR | '1' = Bit is set | '0' = Bit is cleared               | x = Bit is unknown |

- bit 15-12      **Unimplemented:** Read as '0'
- bit 11-8      **ILR<3:0>:** New CPU Interrupt Priority Level bits
  - 1111 = CPU Interrupt Priority Level is 15
  - 
  - 
  - 
  - 0001 = CPU Interrupt Priority Level is 1
  - 0000 = CPU Interrupt Priority Level is 0
- bit 7          **Unimplemented:** Read as '0'
- bit 6-0      **VECNUM<6:0>:** Vector Number of Pending Interrupt bits
  - 0111111 = Interrupt Vector pending is Number 135
  - 
  - 
  - 
  - 0000001 = Interrupt Vector pending is Number 9
  - 0000000 = Interrupt Vector pending is Number 8

## 7.4 Interrupt Setup Procedures

### 7.4.1 INITIALIZATION

To configure an interrupt source at initialization:

1. Set the NSTDIS bit (INTCON1<15>) if nested interrupts are not desired.
2. Select the user-assigned priority level for the interrupt source by writing the control bits into the appropriate IPCx register. The priority level will depend on the specific application and type of interrupt source. If multiple priority levels are not desired, the IPCx register control bits for all enabled interrupt sources can be programmed to the same non-zero value.

**Note:** At a device Reset, the IPCx registers are initialized such that all user interrupt sources are assigned to Priority Level 4.

3. Clear the interrupt flag status bit associated with the peripheral in the associated IFSx register.
4. Enable the interrupt source by setting the interrupt enable control bit associated with the source in the appropriate IECx register.

### 7.4.2 INTERRUPT SERVICE ROUTINE

The method used to declare an ISR and initialize the IVT with the correct vector address depends on the programming language (C or assembler) and the language development toolsuite used to develop the application.

In general, the user application must clear the interrupt flag in the appropriate IFSx register for the source of interrupt that the ISR handles. Otherwise, program will re-enter the ISR immediately after exiting the routine. If the ISR is coded in assembly language, it must be terminated using a `RETFIE` instruction to unstack the saved PC value, SRL value and old CPU priority level.

### 7.4.3 TRAP SERVICE ROUTINE

A Trap Service Routine (TSR) is coded like an ISR, except that the appropriate trap status flag in the INTCON1 register must be cleared to avoid re-entry into the TSR.

### 7.4.4 INTERRUPT DISABLE

All user interrupts can be disabled using this procedure:

1. Push the current SR value onto the software stack using the `PUSH` instruction.
2. Force the CPU to Priority Level 7 by inclusive ORing the value `OEH` with `SRL`.

To enable user interrupts, the `POP` instruction can be used to restore the previous SR value.

**Note:** Only user interrupts with a priority level of 7 or lower can be disabled. Trap sources (Level 8-Level 15) cannot be disabled.

The `DISI` instruction provides a convenient way to disable interrupts of Priority Levels 1-6 for a fixed period of time. Level 7 interrupt sources are not disabled by the `DISI` instruction.

## 8.0 OSCILLATOR CONFIGURATION

**Note 1:** This data sheet summarizes the features of the dsPIC33FJ16(GP/MC)101/102 and dsPIC33FJ32(GP/MC)101/102/104 family devices. It is not intended to be a comprehensive reference source. To complement the information in this data sheet, refer to **Section 52. “Oscillator (Part VI)”** (DS70644) in the “dsPIC33F/PIC24H Family Reference Manual”, which is available from the Microchip web site ([www.microchip.com](http://www.microchip.com)).

**2:** Some registers and associated bits described in this section may not be available on all devices. Refer to **Section 4.0 “Memory Organization”** in this data sheet for device-specific register and bit information.

The oscillator system for dsPIC33FJ16(GP/MC)101/102 and dsPIC33FJ32(GP/MC)101/102/104 devices provides:

- External and internal oscillator options as clock sources
- An on-chip, 4x Phase Lock Loop (PLL) to scale the internal operating frequency to the required system clock frequency
- An internal FRC oscillator that can also be used with the PLL, thereby allowing full-speed operation without any external clock generation hardware
- Clock switching between various clock sources
- Programmable clock postscaler for system power savings
- A Fail-Safe Clock Monitor (FSCM) that detects clock failure and takes fail-safe measures
- A Clock Control register (OSCCON)
- Nonvolatile Configuration bits for main oscillator selection

A simplified diagram of the oscillator system is shown in **Figure 8-1**.

**FIGURE 8-1: OSCILLATOR SYSTEM DIAGRAM**



## 8.1 CPU Clocking System

The dsPIC33FJ16(GP/MC)101/102 and dsPIC33FJ32(GP/MC)101/102/104 devices provide seven system clock options:

- Fast RC (FRC) Oscillator
- FRC Oscillator with 4x PLL
- Primary (MS, HS or EC) Oscillator
- Primary Oscillator with 4x PLL
- Secondary (LP) Oscillator
- Low-Power RC (LPRC) Oscillator
- FRC Oscillator with postscaler

### 8.1.1 SYSTEM CLOCK SOURCES

#### 8.1.1.1 Fast RC

The Fast RC (FRC) internal oscillator runs at a nominal frequency of 7.37 MHz. User software can tune the FRC frequency. User software can optionally specify a factor (ranging from 1:2 to 1:256) by which the FRC clock frequency is divided. This factor is selected using the FRCDIV<2:0> (CLKDIV<10:8>) bits.

The FRC frequency depends on the FRC accuracy (see [Table 26-18](#)) and the value of the FRC Oscillator Tuning register (see [Register 8-3](#)).

#### 8.1.1.2 Primary

The primary oscillator can use one of the following as its clock source:

- MS (Crystal): Crystals and ceramic resonators in the range of 4 MHz to 10 MHz. The crystal is connected to the OSC1 and OSC2 pins.
- HS (High-Speed Crystal): Crystals in the range of 10 MHz to 32 MHz. The crystal is connected to the OSC1 and OSC2 pins.
- EC (External Clock): The external clock signal is directly applied to the OSC1 pin.

#### 8.1.1.3 Secondary

The secondary (LP) oscillator is designed for low power and uses a 32.768 kHz crystal or ceramic resonator. The LP oscillator uses the SOSCI and SOSCO pins.

#### 8.1.1.4 Low-Power RC

The Low-Power RC (LPRC) internal oscillator runs at a nominal frequency of 32.768 kHz. It is also used as a reference clock by the Watchdog Timer (WDT) and Fail-Safe Clock Monitor (FSCM).

#### 8.1.1.5 PLL

The clock signals generated by the FRC and primary oscillators can be optionally applied to an on-chip, 4x Phase Lock Loop (PLL) to provide faster output frequencies for device operation. PLL configuration is described in [Section 8.1.3 “PLL Configuration”](#).

### 8.1.2 SYSTEM CLOCK SELECTION

The oscillator source used at a device Power-on Reset event is selected using Configuration bit settings. The Oscillator Configuration bit settings are located in the Configuration registers in the program memory. (Refer to [Section 23.1 “Configuration Bits”](#) for further details.) The initial Oscillator Selection Configuration bits, FNOSC<2:0> (FOSCSEL<2:0>), and the Primary Oscillator Mode Select Configuration bits, POSCMD<1:0> (FOSC<1:0>), select the oscillator source that is used at a Power-on Reset. The FRC primary oscillator is the default (unprogrammed) selection.

The Configuration bits allow users to choose among 12 different clock modes, shown in [Table 8-1](#).

The output of the oscillator (or the output of the PLL if a PLL mode has been selected) FOSC is divided by 2 to generate the device instruction clock (FCY) and the peripheral clock time base (FP). FCY defines the operating speed of the device, and speeds up to 16 MHz are supported by the dsPIC33FJ16(GP/MC)101/102 and dsPIC33FJ32(GP/MC)101/102/104 architecture.

Instruction execution speed or device operating frequency, FCY, is given by:

#### EQUATION 8-1: DEVICE OPERATING FREQUENCY

$$FCY = \frac{FOSC}{2}$$

### 8.1.3 PLL CONFIGURATION

The primary oscillator and internal FRC oscillator can optionally use an on-chip, 4x PLL to obtain higher speeds of operation.

For example, suppose an 8 MHz crystal is being used with the selected oscillator mode of MS with PLL. This provides a FOSC of 8 MHz \* 4 = 32 MHz. The resultant device operating speed is 32/2 = 16 MIPS.

### EQUATION 8-2: MS WITH PLL MODE EXAMPLE

$$F_{CY} = \frac{F_{OSC}}{2} = \frac{1}{2} (8000000 \cdot 4) = 16 \text{ MIPS}$$

**TABLE 8-1: CONFIGURATION BIT VALUES FOR CLOCK SELECTION**

| Oscillator Mode  | Oscillator Source | POSCMD<1:0> | FNOSC<2:0> | See Note |
|--|-------------------|-------------|------------|----------|
| Fast RC Oscillator with Divide-by-n (FRCDIVN)              | Internal          | xx          | 111        | 1, 2     |
| Fast RC Oscillator with Divide-by-16 (FRCDIV16)            | Internal          | xx          | 110        | 1        |
| Low-Power RC Oscillator (LPRC)                             | Internal          | xx          | 101        | 1        |
| Secondary (Timer1) Oscillator (SOSC)                       | Secondary         | xx          | 100        | 1        |
| Primary Oscillator (MS) with PLL (MSPLL)                   | Primary           | 01          | 011        | —        |
| Primary Oscillator (EC) with PLL (ECPLL)                   | Primary           | 00          | 011        | 1        |
| Primary Oscillator (HS)                                    | Primary           | 10          | 010        | —        |
| Primary Oscillator (MS)                                    | Primary           | 01          | 010        | —        |
| Primary Oscillator (EC)                                    | Primary           | 00          | 010        | 1        |
| Fast RC Oscillator (FRC) with Divide-by-n and PLL (FRCPLL) | Internal          | xx          | 001        | 1        |
| Fast RC Oscillator (FRC)                                   | Internal          | xx          | 000        | 1        |

- Note 1:** OSC2 pin function is determined by the OSCIOFNC Configuration bit.  
**Note 2:** This is the default oscillator mode for an unprogrammed (erased) device.

# dsPIC33FJ16(GP/MC)101/102 AND dsPIC33FJ32(GP/MC)101/102/104

## 8.2 Oscillator Control Registers

**REGISTER 8-1: OSCCON: OSCILLATOR CONTROL REGISTER<sup>(1)</sup>**

|        |           |     |     |       |                          |       |       |
|--------|-----------|-----|-----|-------|--------------------------|-------|-------|
| U-0    | R-0       | R-0 | R-0 | U-0   | R/W-y                    | R/W-y | R/W-y |
| —      | COSC<2:0> |     |     | —     | NOSC<2:0> <sup>(2)</sup> |       |       |
| bit 15 |           |     |     | bit 8 |                          |       |       |

|         |        |      |     |       |     |         |       |
|---------|--------|------|-----|-------|-----|---------|-------|
| R/W-0   | R/W-0  | R-0  | U-0 | R/C-0 | U-0 | R/W-0   | R/W-0 |
| CLKLOCK | IOLOCK | LOCK | —   | CF    | —   | LPOSCEN | OSWEN |
| bit 7   |        |      |     |       |     | bit 0   |       |

|                   |                   |  |
|-------------------|-------------------|--|
| <b>Legend:</b>    | C = Clearable bit | y = Value set from Configuration bits on POR |
| R = Readable bit  | W = Writable bit  | U = Unimplemented bit, read as '0'           |
| -n = Value at POR | '1' = Bit is set  | '0' = Bit is cleared                         |
|                   |                   | x = Bit is unknown                           |

bit 15 **Unimplemented:** Read as '0'

bit 14-12 **COSC<2:0>:** Current Oscillator Selection bits (read-only)

- 111 = Fast RC Oscillator (FRC) with Divide-by-n
- 110 = Fast RC Oscillator (FRC) with Divide-by-16
- 101 = Low-Power RC Oscillator (LPRC)
- 100 = Secondary Oscillator (SOSC)
- 011 = Primary Oscillator (MS, EC) with PLL
- 010 = Primary Oscillator (MS, HS, EC)
- 001 = Fast RC Oscillator (FRC) with Divide-by-n and PLL (FRCPLL)
- 000 = Fast RC Oscillator (FRC)

bit 11 **Unimplemented:** Read as '0'

bit 10-8 **NOSC<2:0>:** New Oscillator Selection bits<sup>(2)</sup>

- 111 = Fast RC Oscillator (FRC) with Divide-by-n
- 110 = Fast RC Oscillator (FRC) with Divide-by-16
- 101 = Low-Power RC Oscillator (LPRC)
- 100 = Secondary Oscillator (SOSC)
- 011 = Primary Oscillator (MS, EC) with PLL
- 010 = Primary Oscillator (MS, HS, EC)
- 001 = Fast RC Oscillator (FRC) with Divide-by-n and PLL (FRCPLL)
- 000 = Fast RC Oscillator (FRC)

bit 7 **CLKLOCK:** Clock Lock Enable bit

If Clock Switching is Enabled and FSCM is Disabled (FCKSM<1:0> (FOSC<7:6>) = 0b01):

- 1 = Clock switching is disabled, system clock source is locked
- 0 = Clock switching is enabled, system clock source can be modified by clock switching

bit 6 **IOLOCK:** Peripheral Pin Select Lock bit

- 1 = Peripheral Pin Select is locked, write to Peripheral Pin Select registers is not allowed
- 0 = Peripheral Pin Select is not locked, write to Peripheral Pin Select registers is allowed

bit 5 **LOCK:** PLL Lock Status bit (read-only)

- 1 = Indicates that PLL is in lock or PLL start-up timer is satisfied
- 0 = Indicates that PLL is out of lock, start-up timer is in progress or PLL is disabled

bit 4 **Unimplemented:** Read as '0'

**Note 1:** Writes to this register require an unlock sequence. Refer to **Section 52. "Oscillator (Part VI)"** (DS70644) in the *"dsPIC33F/PIC24H Family Reference Manual"* for details.

**2:** Direct clock switches between any primary oscillator mode with PLL and FRCPLL mode are not permitted. This applies to clock switches in either direction. In these instances, the application must switch to FRC mode as a transition clock source between the two PLL modes.



## REGISTER 8-1: OSCCON: OSCILLATOR CONTROL REGISTER<sup>(1)</sup> (CONTINUED)

- bit 3      **CF:** Clock Fail Detect bit (read/clear by application)  
            1 = FSCM has detected clock failure  
            0 = FSCM has not detected clock failure
- bit 2      **Unimplemented:** Read as '0'
- bit 1      **LPOSCEN:** Secondary (LP) Oscillator Enable bit  
            1 = Enables secondary oscillator  
            0 = Disables secondary oscillator
- bit 0      **OSWEN:** Oscillator Switch Enable bit  
            1 = Requests oscillator switch to selection specified by NOSC<2:0> bits  
            0 = Oscillator switch is complete

- Note 1:** Writes to this register require an unlock sequence. Refer to **Section 52. "Oscillator (Part VI)"** (DS70644) in the *"dsPIC33F/PIC24H Family Reference Manual"* for details.
- 2:** Direct clock switches between any primary oscillator mode with PLL and FRCPLL mode are not permitted. This applies to clock switches in either direction. In these instances, the application must switch to FRC mode as a transition clock source between the two PLL modes.

# dsPIC33FJ16(GP/MC)101/102 AND dsPIC33FJ32(GP/MC)101/102/104

## REGISTER 8-2: CLKDIV: CLOCK DIVISOR REGISTER

|        |                            |       |       |                          |             |       |       |
|--------|----------------------------|-------|-------|--------------------------|-------------|-------|-------|
| R/W-0  | R/W-0                      | R/W-1 | R/W-1 | R/W-0                    | R/W-0       | R/W-0 | R/W-0 |
| ROI    | DOZE<2:0> <sup>(2,3)</sup> |       |       | DOZEN <sup>(1,2,3)</sup> | FRCDIV<2:0> |       |       |
| bit 15 |                            |       |       |                          |             |       | bit 8 |

|       |     |     |     |     |     |     |       |
|-------|-----|-----|-----|-----|-----|-----|-------|
| U-0   | U-0 | U-0 | U-0 | U-0 | U-0 | U-0 | U-0   |
| —     | —   | —   | —   | —   | —   | —   | —     |
| bit 7 |     |     |     |     |     |     | bit 0 |

### Legend:

R = Readable bit                      W = Writable bit                      U = Unimplemented bit, read as '0'  
 -n = Value at POR                      '1' = Bit is set                      '0' = Bit is cleared                      x = Bit is unknown

- bit 15                      **ROI:** Recover on Interrupt bit  
                                  1 = Interrupts will clear the DOZEN bit and the processor clock/peripheral clock ratio is set to 1:1  
                                  0 = Interrupts have no effect on the DOZEN bit
- bit 14-12                **DOZE<2:0>:** Processor Clock Reduction Select bits<sup>(2,3)</sup>  
                                  111 = Fcy/128  
                                  110 = Fcy/64  
                                  101 = Fcy/32  
                                  100 = Fcy/16  
                                  011 = Fcy/8 (default)  
                                  010 = Fcy/4  
                                  001 = Fcy/2  
                                  000 = Fcy/1
- bit 11                    **DOZEN:** DOZE Mode Enable bit<sup>(1,2,3)</sup>  
                                  1 = DOZE<2:0> bits field specifies the ratio between the peripheral clocks and the processor clocks  
                                  0 = Processor clock/peripheral clock ratio is forced to 1:1
- bit 10-8                **FRCDIV<2:0>:** Internal Fast RC Oscillator Postscaler bits  
                                  111 = FRC divide-by-256  
                                  110 = FRC divide-by-64  
                                  101 = FRC divide-by-32  
                                  100 = FRC divide-by-16  
                                  011 = FRC divide-by-8  
                                  010 = FRC divide-by-4  
                                  001 = FRC divide-by-2  
                                  000 = FRC divide-by-1 (default)
- bit 7-0                 **Unimplemented:** Read as '0'

- Note 1:** This bit is cleared when the ROI bit is set and an interrupt occurs.  
**Note 2:** If DOZEN = 1, writes to DOZE<2:0> are ignored.  
**Note 3:** If DOZE<2:0> = 000, the DOZEN bit cannot be set by the user; writes are ignored.

# dsPIC33FJ16(GP/MC)101/102 AND dsPIC33FJ32(GP/MC)101/102/104

## REGISTER 8-3: OSCTUN: FRC OSCILLATOR TUNING REGISTER

|        |     |     |     |     |     |       |     |
|--------|-----|-----|-----|-----|-----|-------|-----|
| U-0    | U-0 | U-0 | U-0 | U-0 | U-0 | U-0   | U-0 |
| —      | —   | —   | —   | —   | —   | —     | —   |
| bit 15 |     |     |     |     |     | bit 8 |     |

|       |     |                         |       |       |       |       |       |
|-------|-----|-------------------------|-------|-------|-------|-------|-------|
| U-0   | U-0 | R/W-0                   | R/W-0 | R/W-0 | R/W-0 | R/W-0 | R/W-0 |
| —     | —   | TUN<5:0> <sup>(1)</sup> |       |       |       |       |       |
| bit 7 |     |                         |       |       |       | bit 0 |       |

### Legend:

R = Readable bit

W = Writable bit

U = Unimplemented bit, read as '0'

-n = Value at POR

'1' = Bit is set

'0' = Bit is cleared

x = Bit is unknown

bit 15-6 **Unimplemented:** Read as '0'

bit 5-0 **TUN<5:0>:** FRC Oscillator Tuning bits<sup>(1)</sup>

011111 = Center frequency +11.625% (8.23 MHz)

011110 = Center frequency +11.25% (8.20 MHz)

•

•

•

000001 = Center frequency +0.375% (7.40 MHz)

000000 = Center frequency (7.37 MHz nominal)

111111 = Center frequency -0.375% (7.345 MHz)

•

•

•

100001 = Center frequency -11.625% (6.52 MHz)

100000 = Center frequency -12% (6.49 MHz)

**Note 1:** OSCTUN functionality has been provided to help customers compensate for temperature effects on the FRC frequency over a wide range of temperatures. The tuning step size is an approximation and is neither characterized nor tested.

## 8.3 Clock Switching Operation

Applications are free to switch among any of the four clock sources (Primary, LP, FRC and LPRC) under software control at any time. To limit the possible side effects of this flexibility, dsPIC33FJ16(GP/MC)101/102 and dsPIC33FJ32(GP/MC)101/102/104 devices have a safeguard lock built into the switch process.

**Note:** Primary Oscillator mode has three different submodes (MS, HS, and EC), which are determined by the POSCMD<1:0> Configuration bits. While an application can switch to and from Primary Oscillator mode in software, it cannot switch among the different primary submodes without reprogramming the device.

### 8.3.1 ENABLING CLOCK SWITCHING

To enable clock switching, the FCKSM1 Configuration bit in the FOSC Configuration register must be programmed to '0'. (Refer to [Section 23.1 "Configuration Bits"](#) for further details.) If the FCKSM1 Configuration bit is unprogrammed ('1'), the clock switching function and Fail-Safe Clock Monitor function are disabled. This is the default setting.

The NOSCx control bits (OSCCON<10:8>) do not control the clock selection when clock switching is disabled. However, the COSCx bits (OSCCON<14:12>) reflect the clock source selected by the FNOSCx Configuration bits.

The OSWEN control bit (OSCCON<0>) has no effect when clock switching is disabled; it is held at '0' at all times.

### 8.3.2 OSCILLATOR SWITCHING SEQUENCE

Performing a clock switch requires this basic sequence:

1. If desired, read the COSC bits (OSCCON<14:12>) to determine the current oscillator source.
2. Perform the unlock sequence to allow a write to the OSCCON register high byte.
3. Write the appropriate value to the NOSCx control bits (OSCCON<10:8>) for the new oscillator source.
4. Perform the unlock sequence to allow a write to the OSCCON register low byte.
5. Set the OSWEN bit (OSCCON<0>) to initiate the oscillator switch.

Once the basic sequence is completed, the system clock hardware responds automatically as follows:

1. The clock switching hardware compares the COSCx status bits with the new value of the NOSCx control bits. If they are the same, the clock switch is a redundant operation. In this case, the OSWEN bit is cleared automatically and the clock switch is aborted.

2. If a valid clock switch has been initiated, the LOCK and CF (OSCCON<5,3>) status bits are cleared.
3. The new oscillator is turned on by the hardware if it is not currently running. If a crystal oscillator must be turned on, the hardware waits until the Oscillator Start-up Timer (OST) expires. If the new source is using the PLL, the hardware waits until a PLL lock is detected (LOCK = 1).
4. The hardware waits for 10 clock cycles from the new clock source and then performs the clock switch.
5. The hardware clears the OSWEN bit to indicate a successful clock transition. In addition, the NOSCx bit values are transferred to the COSCx status bits.
6. The old clock source is turned off at this time, with the exception of LPRC (if WDT or FSCM is enabled) or LP (if LPOSCEN remains set).

**Note 1:** The processor continues to execute code throughout the clock switching sequence. Timing-sensitive code should not be executed during this time.

**2:** Direct clock switches between any Primary Oscillator mode with PLL and FRCPLL mode are not permitted. This applies to clock switches in either direction. In these instances, the application must switch to FRC mode as a transition clock source between the two PLL modes.

**3:** Refer to [Section 52. "Oscillator \(Part VI\)"](#) (DS70644) in the *dsPIC33F/PIC24H Family Reference Manual* for details.

## 8.4 Fail-Safe Clock Monitor (FSCM)

The Fail-Safe Clock Monitor (FSCM) allows the device to continue to operate even in the event of an oscillator failure. The FSCM function is enabled by programming. If the FSCM function is enabled, the LPRC internal oscillator runs at all times (except during Sleep mode) and is not subject to control by the Watchdog Timer.

In the event of an oscillator failure, the FSCM generates a clock failure trap event and switches the system clock over to the FRC oscillator. Then, the application program can either attempt to restart the oscillator or execute a controlled shutdown. The trap can be treated as a Warm Reset by simply loading the Reset address into the oscillator fail trap vector.

If the PLL multiplier is used to scale the system clock, the internal FRC is also multiplied by the same factor on clock failure. Essentially, the device switches to FRC with PLL on a clock failure.

## 9.0 POWER-SAVING FEATURES

**Note 1:** This data sheet summarizes the features of the dsPIC33FJ16(GP/MC)101/102 and dsPIC33FJ32(GP/MC)101/102/104 family devices. It is not intended to be a comprehensive reference source. To complement the information in this data sheet, refer to **Section 9. “Watchdog Timer and Power-Saving Modes”** (DS70196) in the “dsPIC33F/PIC24H Family Reference Manual”, which is available from the Microchip web site ([www.microchip.com](http://www.microchip.com)).

**2:** Some registers and associated bits described in this section may not be available on all devices. Refer to **Section 4.0 “Memory Organization”** in this data sheet for device-specific register and bit information.

The dsPIC33FJ16(GP/MC)101/102 and dsPIC33FJ32(GP/MC)101/102/104 devices provide the ability to manage power consumption by selectively managing clocking to the CPU and the peripherals. In general, a lower clock frequency and a reduction in the number of circuits being clocked constitutes lower consumed power. Devices can manage power consumption in four different ways:

- Clock Frequency
- Instruction-Based Sleep and Idle modes
- Software-Controlled Doze mode
- Selective Peripheral Control in Software

Combinations of these methods can be used to selectively tailor an application’s power consumption while still maintaining critical application features, such as timing-sensitive communications.

### 9.1 Clock Frequency and Clock Switching

dsPIC33FJ16(GP/MC)101/102 and dsPIC33FJ32(GP/MC)101/102/104 devices allow a wide range of clock frequencies to be selected under application control. If the system clock configuration is not locked, users can choose low-power or high-precision oscillators by simply changing the NOSCx bits (OSCCON<10:8>). The process of changing a system clock during operation, as well as limitations to the process, are discussed in more detail in **Section 8.0 “Oscillator Configuration”**.

#### EXAMPLE 9-1: PWRSAV INSTRUCTION SYNTAX

```
PWRSAV #SLEEP_MODE    ; Put the device into SLEEP mode
PWRSAV #IDLE_MODE     ; Put the device into IDLE mode
```

## 9.2 Instruction-Based Power-Saving Modes

dsPIC33FJ16(GP/MC)101/102 and dsPIC33FJ32(GP/MC)101/102/104 devices have two special power-saving modes that are entered through the execution of a special PWRSAV instruction. Sleep mode stops clock operation and halts all code execution. Idle mode halts the CPU and code execution, but allows peripheral modules to continue operation. The assembler syntax of the PWRSAV instruction is shown in **Example 9-1**.

**Note:** SLEEP\_MODE and IDLE\_MODE are constants defined in the assembler include file for the selected device.

Sleep and Idle modes can be exited as a result of an enabled interrupt, WDT time-out or a device Reset. When the device exits these modes, it is said to wake-up.

### 9.2.1 SLEEP MODE

The following occur in Sleep mode:

- The system clock source is shut down. If an on-chip oscillator is used, it is turned off.
- The device current consumption is reduced to a minimum, provided that no I/O pin is sourcing current
- The Fail-Safe Clock Monitor does not operate, since the system clock source is disabled
- The LPRC clock continues to run in Sleep mode if the WDT is enabled
- The WDT, if enabled, is automatically cleared prior to entering Sleep mode
- Some device features or peripherals may continue to operate. This includes items such as the Input Change Notification (ICN) on the I/O ports, or peripherals that use an external clock input.
- Any peripheral that requires the system clock source for its operation is disabled

The device will wake-up from Sleep mode on any of the these events:

- Any interrupt source that is individually enabled
- Any form of device Reset
- A WDT time-out

On wake-up from Sleep mode, the processor restarts with the same clock source that was active when Sleep mode was entered.

## 9.2.2 IDLE MODE

The following occur in Idle mode:

- The CPU stops executing instructions.
- The WDT is automatically cleared.
- The system clock source remains active. By default, all peripheral modules continue to operate normally from the system clock source, but can also be selectively disabled (see [Section 9.4 “Peripheral Module Disable”](#)).
- If the WDT or FSCM is enabled, the LPRC also remains active.

The device will wake from Idle mode on any of these events:

- Any interrupt that is individually enabled
- Any device Reset
- A WDT time-out

On wake-up from Idle mode, the clock is reapplied to the CPU and instruction execution will begin (2-4 clock cycles later), starting with the instruction following the `PWRSVAV` instruction, or the first instruction in the ISR.

## 9.2.3 INTERRUPTS COINCIDENT WITH POWER SAVE INSTRUCTIONS

Any interrupt that coincides with the execution of a `PWRSVAV` instruction is held off until entry into Sleep or Idle mode has completed. The device then wakes up from Sleep or Idle mode.

## 9.3 Doze Mode

The preferred strategies for reducing power consumption are changing clock speed and invoking one of the power-saving modes. In some circumstances, this may not be practical. For example, it may be necessary for an application to maintain uninterrupted synchronous communication, even while it is doing nothing else. Reducing system clock speed can introduce communication errors, while using a power-saving mode can stop communications completely.

Doze mode is a simple and effective alternative method to reduce power consumption while the device is still executing code. In this mode, the system clock continues to operate from the same source and at the same speed. Peripheral modules continue to be clocked at the same speed, while the CPU clock speed is reduced. Synchronization between the two clock domains is maintained, allowing the peripherals to access the SFRs while the CPU executes code at a slower rate.

Doze mode is enabled by setting the DOZEN bit (`CLKDIV<11>`). The ratio between peripheral and core clock speed is determined by the `DOZE<2:0>` bits (`CLKDIV<14:12>`). There are eight possible configurations, from 1:1 to 1:128, with 1:1 being the default setting.

Programs can use Doze mode to selectively reduce power consumption in event-driven applications. This allows clock-sensitive functions, such as synchronous communications, to continue without interruption while the CPU Idles, waiting for something to invoke an interrupt routine. An automatic return to full-speed CPU operation on interrupts can be enabled by setting the ROI bit (`CLKDIV<15>`). By default, interrupt events have no effect on Doze mode operation.

For example, suppose the device is operating at 20 MIPS and the UART module has been configured for 500 kbps based on this device operating speed. If the device is placed in Doze mode with a clock frequency ratio of 1:4, the UART module continues to communicate at the required bit rate of 500 kbps, but the CPU now starts executing instructions at a frequency of 5 MIPS.

## 9.4 Peripheral Module Disable

The Peripheral Module Disable (PMD) registers provide a method to disable a peripheral module by stopping all clock sources supplied to that module. When a peripheral is disabled using the appropriate PMD control bit, the peripheral is in a minimum power consumption state. The control and status registers associated with the peripheral are also disabled, so writes to those registers will have no effect and read values will be invalid.

A peripheral module is enabled only if both the associated bit in the PMD register is cleared and the peripheral is supported by the specific dsPIC® DSC variant. If the peripheral is present in the device, it is enabled in the PMD register by default.

**Note:** If a PMD bit is set, the corresponding module is disabled after a delay of one instruction cycle. Similarly, if a PMD bit is cleared, the corresponding module is enabled after a delay of one instruction cycle (assuming the module control registers are already configured to enable module operation).

## 9.5 PMD Control Registers

### REGISTER 9-1: PMD1: PERIPHERAL MODULE DISABLE CONTROL REGISTER 1

|                     |                     |       |       |       |     |        |     |
|---------------------|---------------------|-------|-------|-------|-----|--------|-----|
| R/W-0               | R/W-0               | R/W-0 | R/W-0 | R/W-0 | U-0 | R/W-0  | U-0 |
| T5MD <sup>(1)</sup> | T4MD <sup>(1)</sup> | T3MD  | T2MD  | T1MD  | —   | PWM1MD | —   |
| bit 15              |                     |       |       |       |     | bit 8  |     |

|        |     |       |     |        |     |       |                      |
|--------|-----|-------|-----|--------|-----|-------|----------------------|
| R/W-0  | U-0 | R/W-0 | U-0 | R/W-0  | U-0 | U-0   | R/W-0                |
| I2C1MD | —   | U1MD  | —   | SPI1MD | —   | —     | AD1MD <sup>(2)</sup> |
| bit 7  |     |       |     |        |     | bit 0 |                      |

**Legend:**

|                   |                  |                                    |
|-------------------|------------------|------------------------------------|
| R = Readable bit  | W = Writable bit | U = Unimplemented bit, read as '0' |
| -n = Value at POR | '1' = Bit is set | '0' = Bit is cleared               |
|                   |                  | x = Bit is unknown                 |

- bit 15      **T5MD:** Timer5 Module Disable bit<sup>(1)</sup>  
                  1 = Timer5 module is disabled  
                  0 = Timer5 module is enabled
- bit 14      **T4MD:** Timer4 Module Disable bit<sup>(1)</sup>  
                  1 = Timer4 module is disabled  
                  0 = Timer4 module is enabled
- bit 13      **T3MD:** Timer3 Module Disable bit  
                  1 = Timer3 module is disabled  
                  0 = Timer3 module is enabled
- bit 12      **T2MD:** Timer2 Module Disable bit  
                  1 = Timer2 module is disabled  
                  0 = Timer2 module is enabled
- bit 11      **T1MD:** Timer1 Module Disable bit  
                  1 = Timer1 module is disabled  
                  0 = Timer1 module is enabled
- bit 10      **Unimplemented:** Read as '0'
- bit 9        **PWM1MD:** PWM1 Module Disable bit  
                  1 = PWM1 module is disabled  
                  0 = PWM1 module is enabled
- bit 18      **Unimplemented:** Read as '0'
- bit 7        **I2C1MD:** I2C1 Module Disable bit  
                  1 = I2C1 module is disabled  
                  0 = I2C1 module is enabled
- bit 6        **Unimplemented:** Read as '0'
- bit 5        **U1MD:** UART1 Module Disable bit  
                  1 = UART1 module is disabled  
                  0 = UART1 module is enabled
- bit 4        **Unimplemented:** Read as '0'

- Note 1:** This bit is available in dsPIC33FJ32(GP/MC)10X devices only.
- 2:** PCFGx bits have no effect if the ADC module is disabled by setting this bit. When the bit is set, all port pins that have been multiplexed with ANx will be in Digital mode.

# dsPIC33FJ16(GP/MC)101/102 AND dsPIC33FJ32(GP/MC)101/102/104

## REGISTER 9-1: PMD1: PERIPHERAL MODULE DISABLE CONTROL REGISTER 1 (CONTINUED)

- bit 3      **SPI1MD:** SPI1 Module Disable bit  
           1 = SPI1 module is disabled  
           0 = SPI1 module is enabled
- bit 2-1    **Unimplemented:** Read as '0'
- bit 0      **AD1MD:** ADC1 Module Disable bit<sup>(2)</sup>  
           1 = ADC1 module is disabled  
           0 = ADC1 module is enabled

**Note 1:** This bit is available in dsPIC33FJ32(GP/MC)10X devices only.

**2:** PCFGx bits have no effect if the ADC module is disabled by setting this bit. When the bit is set, all port pins that have been multiplexed with ANx will be in Digital mode.

## REGISTER 9-2: PMD2: PERIPHERAL MODULE DISABLE CONTROL REGISTER 2

|        |     |     |     |     |       |       |       |
|--------|-----|-----|-----|-----|-------|-------|-------|
| U-0    | U-0 | U-0 | U-0 | U-0 | R/W-0 | R/W-0 | R/W-0 |
| —      | —   | —   | —   | —   | IC3MD | IC2MD | IC1MD |
| bit 15 |     |     |     |     | bit 8 |       |       |

|       |     |     |     |     |     |       |       |
|-------|-----|-----|-----|-----|-----|-------|-------|
| U-0   | U-0 | U-0 | U-0 | U-0 | U-0 | R/W-0 | R/W-0 |
| —     | —   | —   | —   | —   | —   | OC2MD | OC1MD |
| bit 7 |     |     |     |     |     | bit 0 |       |

### Legend:

|                   |                  |                                    |
|-------------------|------------------|------------------------------------|
| R = Readable bit  | W = Writable bit | U = Unimplemented bit, read as '0' |
| -n = Value at POR | '1' = Bit is set | '0' = Bit is cleared               |
|                   |                  | x = Bit is unknown                 |

- bit 15-11    **Unimplemented:** Read as '0'
- bit 10      **IC3MD:** Input Capture 3 Module Disable bit  
           1 = Input Capture 3 module is disabled  
           0 = Input Capture 3 module is enabled
- bit 9        **IC2MD:** Input Capture 2 Module Disable bit  
           1 = Input Capture 2 module is disabled  
           0 = Input Capture 2 module is enabled
- bit 8        **IC1MD:** Input Capture 1 Module Disable bit  
           1 = Input Capture 1 module is disabled  
           0 = Input Capture 1 module is enabled
- bit 7-2     **Unimplemented:** Read as '0'
- bit 1        **OC2MD:** Output Compare 2 Module Disable bit  
           1 = Output Compare 2 module is disabled  
           0 = Output Compare 2 module is enabled
- bit 0        **OC1MD:** Output Compare 1 Module Disable bit  
           1 = Output Compare 1 module is disabled  
           0 = Output Compare 1 module is enabled



# dsPIC33FJ16(GP/MC)101/102 AND dsPIC33FJ32(GP/MC)101/102/104

## REGISTER 9-3: PMD3: PERIPHERAL MODULE DISABLE CONTROL REGISTER 3

|        |     |     |     |     |       |        |     |
|--------|-----|-----|-----|-----|-------|--------|-----|
| U-0    | U-0 | U-0 | U-0 | U-0 | R/W-0 | R/W-0  | U-0 |
| —      | —   | —   | —   | —   | CMPMD | RTCCMD | —   |
| bit 15 |     |     |     |     |       | bit 8  |     |
| U-0    | U-0 | U-0 | U-0 | U-0 | U-0   | U-0    | U-0 |
| —      | —   | —   | —   | —   | —     | —      | —   |
| bit 7  |     |     |     |     |       | bit 0  |     |

### Legend:

R = Readable bit                      W = Writable bit                      U = Unimplemented bit, read as '0'  
 -n = Value at POR                      '1' = Bit is set                      '0' = Bit is cleared                      x = Bit is unknown

- bit 15-11     **Unimplemented:** Read as '0'
- bit 10        **CMPMD:** Comparator Module Disable bit  
                   1 = Comparator module is disabled  
                   0 = Comparator module is enabled
- bit 9         **RTCCMD:** RTCC Module Disable bit  
                   1 = RTCC module is disabled  
                   0 = RTCC module is enabled
- bit 8-0       **Unimplemented:** Read as '0'

## REGISTER 9-4: PMD4: PERIPHERAL MODULE DISABLE CONTROL REGISTER 4

|        |     |     |     |     |        |       |     |
|--------|-----|-----|-----|-----|--------|-------|-----|
| U-0    | U-0 | U-0 | U-0 | U-0 | U-0    | U-0   | U-0 |
| —      | —   | —   | —   | —   | —      | —     | —   |
| bit 15 |     |     |     |     |        | bit 8 |     |
| U-0    | U-0 | U-0 | U-0 | U-0 | R/W-0  | U-0   | U-0 |
| —      | —   | —   | —   | —   | CTMUMD | —     | —   |
| bit 7  |     |     |     |     |        | bit 0 |     |

### Legend:

R = Readable bit                      W = Writable bit                      U = Unimplemented bit, read as '0'  
 -n = Value at POR                      '1' = Bit is set                      '0' = Bit is cleared                      x = Bit is unknown

- bit 15-3     **Unimplemented:** Read as '0'
- bit 2        **CTMUMD:** CTMU Module Disable bit  
                   1 = CTMU module is disabled  
                   0 = CTMU module is enabled
- bit 1-0       **Unimplemented:** Read as '0'

NOTES:

## 10.0 I/O PORTS

**Note 1:** This data sheet summarizes the features of the dsPIC33FJ16(GP/MC)101/102 and dsPIC33FJ32(GP/MC)101/102/104 family devices. It is not intended to be a comprehensive reference source. To complement the information in this data sheet, refer to **Section 10. “I/O Ports”** (DS70193) in the “*dsPIC33F/PIC24H Family Reference Manual*”, which is available from the Microchip web site ([www.microchip.com](http://www.microchip.com)).

**2:** Some registers and associated bits described in this section may not be available on all devices. Refer to **Section 4.0 “Memory Organization”** in this data sheet for device-specific register and bit information.

All of the device pins (except VDD, VSS,  $\overline{\text{MCLR}}$ , and OSC1/CLKI) are shared among the peripherals and the parallel I/O ports. All I/O input ports feature Schmitt Trigger inputs for improved noise immunity.

### 10.1 Parallel I/O (PIO) Ports

Generally a parallel I/O port that shares a pin with a peripheral is subservient to the peripheral. The peripheral's output buffer data and control signals are provided to a pair of multiplexers. The multiplexers select whether the peripheral or the associated port has ownership of the output data and control signals of the I/O pin. The logic also prevents “loop through,” in which a port's digital output can drive the input of a peripheral that shares the same pin. [Figure 10-1](#) shows how ports are shared with other peripherals and the associated I/O pin to which they are connected.

When a peripheral is enabled and the peripheral is actively driving an associated pin, the use of the pin as a general purpose output pin is disabled. The I/O pin can be read, but the output driver for the parallel port bit is disabled. If a peripheral is enabled, but the peripheral is not actively driving a pin, that pin can be driven by a port.

All port pins have three registers directly associated with their operation as digital I/O. The Data Direction register (TRISx) determines whether the pin is an input or an output. If the data direction bit is a ‘1’, the pin is an input. All port pins are defined as inputs after a Reset. Reads from the Output Latch (LATx) register read the latch. Writes to the Output Latch register write the latch. Reads from the port (PORTx) read the port pins, while writes to the port pins write the latch.

Any bit and its associated data and control registers that is not valid for a particular device will be disabled. This means the corresponding LATx and TRISx registers and the port pin will read as zeros.

When a pin is shared with another peripheral or function that is defined as an input only, it is nevertheless regarded as a dedicated port because there is no other competing source of outputs.

**FIGURE 10-1: BLOCK DIAGRAM OF A TYPICAL SHARED PORT STRUCTURE**



## 10.1.1 OPEN-DRAIN CONFIGURATION

In addition to the PORT, LAT and TRIS registers for data control, some port pins can also be individually configured for either digital or open-drain output. This is controlled by the Open-Drain Control register, ODCx, associated with each port. Setting any of the bits configures the corresponding pin to act as an open-drain output.

The open-drain feature allows the generation of outputs higher than V<sub>DD</sub> (e.g., 5V) on any desired 5V tolerant pins by using external pull-up resistors. The maximum open-drain voltage allowed is the same as the maximum V<sub>IH</sub> specification.

See “[Pin Diagrams](#)” for the available pins and their functionality.

## 10.2 Configuring Analog Port Pins

The AD1PCFGL and TRIS registers control the operation of the Analog-to-Digital port pins. The port pins that are to function as analog inputs must have their corresponding TRIS bit set (input). If the TRIS bit is cleared (output), the digital output level (V<sub>OH</sub> or V<sub>OL</sub>) will be converted.

The AD1PCFGL register has a default value of 0x0000; therefore, all pins that share ANx functions are analog (not digital) by default.

When the PORT register is read, all pins configured as analog input channels will read as cleared (a low level).

Pins configured as digital inputs will not convert an analog input. Analog levels on any pin defined as a digital input (including the ANx pins) can cause the input buffer to consume current that exceeds the device specifications.

### 10.2.1 I/O PORT WRITE/READ TIMING

One instruction cycle is required between a port direction change or port write operation and a read operation of the same port. Typically this instruction would be an NOP. An demonstration is shown in [Example 10-1](#).

#### EXAMPLE 10-1: PORT WRITE/READ EXAMPLE

```
MOV    0xFF00, W0           ; Configure PORTB<15:8> as inputs
MOV    W0, TRISBB          ; and PORTB<7:0> as outputs
NOP                                     ; Delay 1 cycle
btss   PORTB, #13          ; Next Instruction
```

## 10.3 Input Change Notification (ICN)

The Input Change Notification function of the I/O ports allows the dsPIC33FJ16(GP/MC)101/102 and dsPIC33FJ32(GP/MC)101/102/104 devices to generate interrupt requests to the processor in response to a Change-of-State (COS) on selected input pins. This feature can detect input Change-of-States even in Sleep mode when the clocks are disabled. Depending on the device pin count, up to 21 external signals (CNx pin) can be selected (enabled) for generating an interrupt request on a Change-of-State.

Four control registers are associated with the CN module. The CNEN1 and CNEN2 registers contain the interrupt enable control bits for each of the CN input pins. Setting any of these bits enables a CN interrupt for the corresponding pins.

Each CN pin also has a weak pull-up connected to it. The pull-ups act as a current source connected to the pin, and eliminate the need for external resistors when push-button or keypad devices are connected. The pull-ups are enabled separately using the CNPU1 and CNPU2 registers, which contain the control bits for each of the CN pins. Setting any of the control bits enables the weak pull-ups for the corresponding pins.

**Note:** Pull-ups on Input Change Notification pins should always be disabled when the port pin is configured as a digital output.

## 10.4 Peripheral Pin Select (PPS)

Peripheral Pin Select configuration enables peripheral set selection and placement on a wide range of I/O pins. By increasing the pinout options available on a particular device, programmers can better tailor the microcontroller to their entire application, rather than trimming the application to fit the device.

The Peripheral Pin Select configuration feature operates over a fixed subset of digital I/O pins. Programmers can independently map the input and/or output of most digital peripherals to any one of these I/O pins. Peripheral Pin Select is performed in software, and generally does not require the device to be reprogrammed. Hardware safeguards are included that prevent accidental or spurious changes to the peripheral mapping, once it has been established.

### 10.4.1 AVAILABLE PINS

The Peripheral Pin Select feature is used with a range of up to 16 pins. The number of available pins depends on the particular device and its pin count. Pins that support the Peripheral Pin Select feature include the designation “RPn” in their full pin designation, where “RP” designates a remappable peripheral and “n” is the remappable pin number.

### 10.4.2 CONTROLLING PERIPHERAL PIN SELECT

Peripheral Pin Select features are controlled through two sets of Special Function Registers: one to map peripheral inputs and one to map outputs. Because they are separately controlled, a particular peripheral’s input and output (if the peripheral has both) can be placed on any selectable function pin without constraint.

The association of a peripheral to a peripheral selectable pin is handled in two different ways, depending on whether an input or output is being mapped.

### 10.4.2.1 Input Mapping

The inputs of the Peripheral Pin Select options are mapped on the basis of the peripheral. A control register associated with a peripheral dictates the pin it will be mapped to. The RPNR<sub>x</sub> registers are used to configure peripheral input mapping (see [Register 10-1](#) through [Register 10-10](#)). Each register contains sets of 5-bit fields, with each set associated with one of the remappable peripherals. Programming a given peripheral’s bit field with an appropriate 5-bit value maps the RP<sub>n</sub> pin with that value to that peripheral. For any given device, the valid range of values for any bit field corresponds to the maximum number of Peripheral Pin Selections supported by the device.

[Figure 10-2](#) illustrates remappable pin selection for U1RX input.

**Note:** For input mapping only, the Peripheral Pin Select (PPS) functionality does not have priority over the TRIS<sub>x</sub> settings. Therefore, when configuring the RP<sub>x</sub> pin for input, the corresponding bit in the TRIS<sub>x</sub> register must also be configured for input (i.e., set to ‘1’).

**FIGURE 10-2: REMAPPABLE MUX INPUT FOR U1RX**



**TABLE 10-1: SELECTABLE INPUT SOURCES (MAPS INPUT TO FUNCTION)<sup>(1)</sup>**

| Input Name              | Function Name      | Register | Configuration Bits        |
|-------------------------|--------------------|----------|---------------------------|
| External Interrupt 1    | INT1               | RPINR0   | INT1R<4:0>                |
| External Interrupt 2    | INT2               | RPINR1   | INT2R<4:0>                |
| Timer2 External Clock   | T2CK               | RPINR3   | T2CKR<4:0>                |
| Timer3 External Clock   | T3CK               | RPINR3   | T3CKR<4:0>                |
| Timer4 External Clock   | T4CK               | RPINR4   | T4CKR<4:0> <sup>(2)</sup> |
| Timer5 External Clock   | T5CK               | RPINR4   | T5CKR<4:0> <sup>(2)</sup> |
| Input Capture 1         | IC1                | RPINR7   | IC1R<4:0>                 |
| Input Capture 2         | IC2                | RPINR7   | IC2R<4:0>                 |
| Input Capture 3         | IC3                | RPINR8   | IC3R<4:0>                 |
| Output Compare Fault A  | OCFA               | RPINR11  | OCFAR<4:0>                |
| UART1 Receive           | U1RX               | RPINR18  | U1RXR<4:0>                |
| UART1 Clear-to-Send     | $\overline{U1CTS}$ | RPINR18  | U1CTSR<4:0>               |
| SDI1 SPI Data Input 1   | SDI1               | RPINR20  | SDI1R<4:0> <sup>(2)</sup> |
| SCK1 SPI Clock Input 1  | SCK1               | RPINR20  | SCK1R<4:0> <sup>(2)</sup> |
| SPI1 Slave Select Input | $\overline{SS1}$   | RPINR21  | SS1R<4:0> <sup>(2)</sup>  |

**Note 1:** Unless otherwise noted, all inputs use the Schmitt input buffers.

**2:** These bits are available in dsPIC33FJ32(GP/MC)10X devices only.

### 10.4.2.2 Output Mapping

In contrast to the inputs, the outputs of the Peripheral Pin Select options are mapped on the basis of the pin. In this case, a control register associated with a particular pin dictates the peripheral output to be mapped. The RPORx registers are used to control output mapping. Like the RPINRx registers, each register contains sets of 5-bit fields, with each set associated with one RPn pin (see [Register 10-11](#) through [Register 10-18](#)). The value of the bit field corresponds to one of the peripherals, and that peripheral's output is mapped to the pin (see [Table 10-2](#) and [Figure 10-3](#)).

The list of peripherals for output mapping also includes a null value of '00000' because of the mapping technique. This permits any given pin to remain unconnected from the output of any of the pin selectable peripherals.

**FIGURE 10-3: MULTIPLEXING OF REMAPPABLE OUTPUT FOR RPn**



**TABLE 10-2: OUTPUT SELECTION FOR REMAPPABLE PIN (RPn)**

| Function | RPnR<4:0> | Output Name   |
|----------|-----------|---|
| NULL     | 00000     | RPn tied to Default Port Pin                        |
| C1OUT    | 00001     | RPn tied to Comparator 1 Output                     |
| C2OUT    | 00010     | RPn tied to Comparator 2 Output                     |
| U1TX     | 00011     | RPn tied to UART1 Transmit                          |
| U1RTS    | 00100     | RPn tied to UART1 Ready-to-Send                     |
| SCK1     | 01000     | RPn tied to SPI Clock <sup>(1)</sup>                |
| SDO1     | 00111     | RPn tied to SPI Data Output <sup>(1)</sup>          |
| SS1      | 01001     | RPn tied to SPI1 Slave Select Output <sup>(1)</sup> |
| OC1      | 10010     | RPn tied to Output Compare 1                        |
| OC2      | 10011     | RPn tied to Output Compare 2                        |
| CTPLS    | 11101     | RPn tied to CTMU Pulse Output                       |
| C3OUT    | 11110     | RPn tied to Comparator 3 Output                     |

**Note 1:** This function is available in dsPIC33FJ32(GP/MC)10X devices only.

### 10.4.3 CONTROLLING CONFIGURATION CHANGES

Because peripheral remapping can be changed during run time, some restrictions on peripheral remapping are needed to prevent accidental configuration changes. dsPIC33FJ16(GP/MC)101/102 and dsPIC33FJ32(GP/MC)101/102/104 devices include three features to prevent alterations to the peripheral map:

- Control register lock sequence
- Continuous state monitoring
- Configuration bit pin select lock

#### 10.4.3.1 Control Register Lock

Under normal operation, writes to the RPINRx and RPORx registers are not allowed. Attempted writes appear to execute normally, but the contents of the registers remain unchanged. To change these registers, they must be unlocked in hardware. The register lock is controlled by the IOLOCK bit (OSCCON<6>). Setting IOLOCK prevents writes to the control registers; clearing IOLOCK allows writes.

To set or clear IOLOCK, a specific command sequence must be executed:

1. Write 0x46 to OSCCON<7:0>.
2. Write 0x57 to OSCCON<7:0>.
3. Clear (or set) IOLOCK as a single operation.

**Note:** MPLAB® C30 provides built-in C language functions for unlocking the OSCCON register:

```
__builtin_write_OSCCONL(value)
__builtin_write_OSCCONH(value)
```

See MPLAB IDE Help for more information.

Unlike the similar sequence with the oscillator's LOCK bit, IOLOCK remains in one state until changed. This allows all of the Peripheral Pin Selects to be configured with a single unlock sequence followed by an update to all control registers, then locked with a second lock sequence.

#### 10.4.3.2 Continuous State Monitoring

In addition to being protected from direct writes, the contents of the RPINRx and RPORx registers are constantly monitored in hardware by shadow registers. If an unexpected change in any of the registers occurs (such as cell disturbances caused by ESD or other external events), a Configuration Mismatch Reset will be triggered.

#### 10.4.3.3 Configuration Bit Pin Select Lock

As an additional level of safety, the device can be configured to prevent more than one write session to the RPINRx and RPORx registers. The IOL1WAY (FOSC<5>) Configuration bit blocks the IOLOCK bit from being cleared after it has been set once. If IOLOCK remains set, the register unlock procedure will not execute, and the Peripheral Pin Select Control registers cannot be written to. The only way to clear the bit and re-enable peripheral remapping is to perform a device Reset.

In the default (unprogrammed) state, IOL1WAY is set, restricting users to one write session. Programming IOL1WAY allows user applications unlimited access (with the proper use of the unlock sequence) to the Peripheral Pin Select registers.



## 10.5 I/O Helpful Tips

1. In some cases, certain pins, as defined in [Section 26.0 “Electrical Characteristics”](#), [Table 26-11](#) under “Injection Current”, have internal protection diodes to VDD and VSS. The term, “Injection Current”, is also referred to as “Clamp Current”. On designated pins, with sufficient external current limiting precautions by the user, I/O pin input voltages are allowed to be greater or less than the data sheet absolute maximum ratings with nominal VDD, with respect to the VSS and VDD supplies. Note that when the user application forward biases either of the high or low side internal input clamp diodes, that the resulting current being injected into the device, that is clamped internally by the VDD and VSS power rails, may affect the ADC accuracy by four to six counts.
2. I/O pins that are shared with any analog input pin, (i.e., ANx), are always analog pins by default after any Reset. Consequently, any pin(s) configured as an analog input pin, automatically disables the digital input pin buffer. As such, any attempt to read a digital input pin will always return a ‘0’ regardless of the digital logic level on the pin if the analog pin is configured. To use a pin as a digital I/O pin on a shared ANx pin, the user application needs to configure the Analog Pin Configuration register in the ADC module (AD1PCFGL), by setting the appropriate bit that corresponds to that I/O port pin, to a ‘1’. On devices with more than one ADC, both analog pin configurations for both ADC modules must be configured as a digital I/O pin for that pin to function as a digital I/O pin.

**Note:** Although it is not possible to use a digital input pin when its analog function is enabled, it is possible to use the digital I/O output function, TRISx = 0x0, while the analog function is also enabled. However, this is not recommended, particularly if the analog input is connected to an external analog voltage source, which would create signal contention between the analog signal and the output pin driver.

3. Most I/O pins have multiple functions. Referring to the device pin diagrams in the data sheet, the priorities of the functions allocated to any pins are indicated by reading the pin name from left-to-right. The left most function name takes precedence over any function to its right in the naming convention. For example: AN16/T2CK/T7CK/RC1. This indicates that AN16 is the highest priority in this example and will supersede all other functions to its right in the list. Those other functions to its right, even if enabled, would not work as long as any other function to its left was enabled. This rule applies to all of the functions listed for a given pin.

4. Each CN pin has a configurable internal weak pull-up resistor. The pull-ups act as a current source connected to the pin, and eliminates the need for external resistors in certain applications. The internal pull-up is to  $\sim(VDD-0.8)$ , not VDD. This is still above the minimum VIH of CMOS and TTL devices.
5. When driving LEDs directly, the I/O pin can source or sink more current than what is specified in the VOH/IOH and VOL/IOL DC characteristic specification. The respective IOH and IOL current rating only applies to maintaining the corresponding output at or above the VOH and at or below the VOL levels. However, for LEDs unlike digital inputs of an externally connected device, they are not governed by the same minimum VIH/VIL levels. An I/O pin output can safely sink or source any current less than that listed in the absolute maximum rating section of the data sheet. For example:

$$V_{OH} = 2.4V @ I_{OH} = -6 \text{ mA and } V_{DD} = 3.3V$$

The maximum output current sourced by any 6 mA I/O pin = 15 mA.

LED source current < 15 mA is technically permitted. Refer to the VOH/IOH specifications in [Section 26.0 “Electrical Characteristics”](#) for additional information.

## 10.6 I/O Resources

Many useful resources are provided on the main product page of the Microchip web site for the devices listed in this data sheet. This product page, which can be accessed using this [link](#), contains the latest updates and additional information.

**Note:** In the event you are not able to access the product page using the link above, enter this URL in your browser:  
<http://www.microchip.com/wwwproducts/Devices.aspx?dDocName=en554109>

### 10.6.1 KEY RESOURCES

- “dsPIC33F/PIC24H Family Reference Manual”, [Section 10. “I/O Ports”](#) (DS70193)
- Code Samples
- Application Notes
- Software Libraries
- Webinars
- All related “dsPIC33F/PIC24H Family Reference Manual” Sections
- Development Tools

# dsPIC33FJ16(GP/MC)101/102 AND dsPIC33FJ32(GP/MC)101/102/104

## 10.7 Peripheral Pin Select Registers

The dsPIC33FJ16(GP/MC)101/102 and dsPIC33FJ32(GP/MC)101/102/104 family of devices implements up to 23 registers for remappable peripheral configuration.

**Note:** Input and Output Register values can only be changed if IOLOCK (OSCCON<6>) = 0. See [Section 10.4.3.1 “Control Register Lock”](#) for a specific command sequence.

### REGISTER 10-1: RPIN0: PERIPHERAL PIN SELECT INPUT REGISTER 0

|        |     |     |            |       |       |       |       |       |
|--------|-----|-----|------------|-------|-------|-------|-------|-------|
| U-0    | U-0 | U-0 | R/W-1      | R/W-1 | R/W-1 | R/W-1 | R/W-1 |       |
| —      | —   | —   | INT1R<4:0> |       |       |       |       |       |
| bit 15 |     |     |            |       |       |       |       | bit 8 |

|       |     |     |     |     |     |     |       |
|-------|-----|-----|-----|-----|-----|-----|-------|
| U-0   | U-0 | U-0 | U-0 | U-0 | U-0 | U-0 | U-0   |
| —     | —   | —   | —   | —   | —   | —   | —     |
| bit 7 |     |     |     |     |     |     | bit 0 |

**Legend:**

|                   |                  |  |
|-------------------|------------------|--|
| R = Readable bit  | W = Writable bit | U = Unimplemented bit, read as '0'           |
| -n = Value at POR | '1' = Bit is set | '0' = Bit is cleared      x = Bit is unknown |

- bit 15-13      **Unimplemented:** Read as '0'
- bit 12-8      **INT1R<4:0>:** Assign External Interrupt 1 (INTR1) to the Corresponding RPn Pin bits
  - 11111 = Input tied to Vss
  - 11110 = Reserved
  - .
  - .
  - .
  - 11010 = Reserved
  - 11001 = Input tied to RP25
  - .
  - .
  - .
  - 00001 = Input tied to RP1
  - 00000 = Input tied to RP0
- bit 7-0      **Unimplemented:** Read as '0'

# dsPIC33FJ16(GP/MC)101/102 AND dsPIC33FJ32(GP/MC)101/102/104

## REGISTER 10-2: RPINR1: PERIPHERAL PIN SELECT INPUT REGISTER 1

|        |     |     |     |     |     |       |     |
|--------|-----|-----|-----|-----|-----|-------|-----|
| U-0    | U-0 | U-0 | U-0 | U-0 | U-0 | U-0   | U-0 |
| —      | —   | —   | —   | —   | —   | —     | —   |
| bit 15 |     |     |     |     |     | bit 8 |     |

|       |     |     |            |       |       |       |       |
|-------|-----|-----|------------|-------|-------|-------|-------|
| U-0   | U-0 | U-0 | R/W-1      | R/W-1 | R/W-1 | R/W-1 | R/W-1 |
| —     | —   | —   | INT2R<4:0> |       |       |       |       |
| bit 7 |     |     | bit 0      |       |       |       |       |

### Legend:

R = Readable bit

W = Writable bit

U = Unimplemented bit, read as '0'

-n = Value at POR

'1' = Bit is set

'0' = Bit is cleared

x = Bit is unknown

bit 15-5      **Unimplemented:** Read as '0'

bit 4-0      **INT2R<4:0>:** Assign External Interrupt 2 (INTR2) to the Corresponding RPn Pin bits

11111 = Input tied to Vss

11110 = Reserved

.

.

.

11010 = Reserved

11001 = Input tied to RP25

.

.

.

00001 = Input tied to RP1

00000 = Input tied to RP0

# dsPIC33FJ16(GP/MC)101/102 AND dsPIC33FJ32(GP/MC)101/102/104

## REGISTER 10-3: RPINR3: PERIPHERAL PIN SELECT INPUT REGISTER 3

|        |     |     |            |       |       |       |       |       |
|--------|-----|-----|------------|-------|-------|-------|-------|-------|
| U-0    | U-0 | U-0 | R/W-1      | R/W-1 | R/W-1 | R/W-1 | R/W-1 |       |
| —      | —   | —   | T3CKR<4:0> |       |       |       |       |       |
| bit 15 |     |     |            |       |       |       |       | bit 8 |

|       |     |     |            |       |       |       |       |       |
|-------|-----|-----|------------|-------|-------|-------|-------|-------|
| U-0   | U-0 | U-0 | R/W-1      | R/W-1 | R/W-1 | R/W-1 | R/W-1 |       |
| —     | —   | —   | T2CKR<4:0> |       |       |       |       |       |
| bit 7 |     |     |            |       |       |       |       | bit 0 |

### Legend:

R = Readable bit                      W = Writable bit                      U = Unimplemented bit, read as '0'  
-n = Value at POR                      '1' = Bit is set                      '0' = Bit is cleared                      x = Bit is unknown

bit 15-13                      **Unimplemented:** Read as '0'

bit 12-8                      **T3CKR<4:0>:** Assign Timer3 External Clock (T3CK) to the Corresponding RPn Pin bits

11111 = Input tied to Vss  
11110 = Reserved

.  
.  
.

11010 = Reserved  
11001 = Input tied to RP25

.  
.  
.

00001 = Input tied to RP1  
00000 = Input tied to RP0

bit 7-5                      **Unimplemented:** Read as '0'

bit 4-0                      **T2CKR<4:0>:** Assign Timer2 External Clock (T2CK) to the Corresponding RPn Pin bits

11111 = Input tied to Vss  
11110 = Reserved

.  
.  
.

11010 = Reserved  
11001 = Input tied to RP25

.  
.  
.

00001 = Input tied to RP1  
00000 = Input tied to RP0

# dsPIC33FJ16(GP/MC)101/102 AND dsPIC33FJ32(GP/MC)101/102/104

## REGISTER 10-4: RPINR4: PERIPHERAL PIN SELECT INPUT REGISTER 4

|        |     |     |                           |       |       |       |       |       |
|--------|-----|-----|---------------------------|-------|-------|-------|-------|-------|
| U-0    | U-0 | U-0 | R/W-1                     | R/W-1 | R/W-1 | R/W-1 | R/W-1 |       |
| —      | —   | —   | T5CKR<4:0> <sup>(1)</sup> |       |       |       |       |       |
| bit 15 |     |     |                           |       |       |       |       | bit 8 |

|       |     |     |                           |       |       |       |       |       |
|-------|-----|-----|---------------------------|-------|-------|-------|-------|-------|
| U-0   | U-0 | U-0 | R/W-1                     | R/W-1 | R/W-1 | R/W-1 | R/W-1 |       |
| —     | —   | —   | T4CKR<4:0> <sup>(1)</sup> |       |       |       |       |       |
| bit 7 |     |     |                           |       |       |       |       | bit 0 |

### Legend:

|                   |                  |                                    |
|-------------------|------------------|------------------------------------|
| R = Readable bit  | W = Writable bit | U = Unimplemented bit, read as '0' |
| -n = Value at POR | '1' = Bit is set | '0' = Bit is cleared               |
|                   |                  | x = Bit is unknown                 |

bit 15-13      **Unimplemented:** Read as '0'

bit 12-8      **T5CKR<4:0>:** Assign Timer5 External Clock (T5CK) to the Corresponding RPn Pin bits<sup>(1)</sup>

11111 = Input tied to Vss  
11110 = Reserved

.  
.  
.

11010 = Reserved  
11001 = Input tied to RP25

.  
.  
.

00001 = Input tied to RP1  
00000 = Input tied to RP0

bit 7-5      **Unimplemented:** Read as '0'

bit 4-0      **T4CKR<4:0>:** Assign Timer4 External Clock (T4CK) to the Corresponding RPn Pin bits<sup>(1)</sup>

11111 = Input tied to Vss  
11110 = Reserved

.  
.  
.

11010 = Reserved  
11001 = Input tied to RP25

.  
.  
.

00001 = Input tied to RP1  
00000 = Input tied to RP0

**Note 1:** These bits are available in dsPIC33FJ32(GP/MC)10X devices only.

# dsPIC33FJ16(GP/MC)101/102 AND dsPIC33FJ32(GP/MC)101/102/104

## REGISTER 10-5: RPINR7: PERIPHERAL PIN SELECT INPUT REGISTER 7

|        |     |     |           |       |       |       |       |       |
|--------|-----|-----|-----------|-------|-------|-------|-------|-------|
| U-0    | U-0 | U-0 | R/W-1     | R/W-1 | R/W-1 | R/W-1 | R/W-1 |       |
| —      | —   | —   | IC2R<4:0> |       |       |       |       |       |
| bit 15 |     |     |           |       |       |       |       | bit 8 |

|       |     |     |           |       |       |       |       |       |
|-------|-----|-----|-----------|-------|-------|-------|-------|-------|
| U-0   | U-0 | U-0 | R/W-1     | R/W-1 | R/W-1 | R/W-1 | R/W-1 |       |
| —     | —   | —   | IC1R<4:0> |       |       |       |       |       |
| bit 7 |     |     |           |       |       |       |       | bit 0 |

### Legend:

R = Readable bit                      W = Writable bit                      U = Unimplemented bit, read as '0'  
 -n = Value at POR                      '1' = Bit is set                      '0' = Bit is cleared                      x = Bit is unknown

bit 15-13                      **Unimplemented:** Read as '0'

bit 12-8                      **IC2R<4:0>:** Assign Input Capture 2 (IC2) to the Corresponding RPN Pin bits

11111 = Input tied to Vss

11110 = Reserved

.

.

.

11010 = Reserved

11001 = Input tied to RP25

.

.

.

00001 = Input tied to RP1

00000 = Input tied to RP0

bit 7-5                      **Unimplemented:** Read as '0'

bit 4-0                      **IC1R<4:0>:** Assign Input Capture 1 (IC1) to the Corresponding RPN Pin bits

11111 = Input tied to Vss

11110 = Reserved

.

.

.

11010 = Reserved

11001 = Input tied to RP25

.

.

.

00001 = Input tied to RP1

00000 = Input tied to RP0

# dsPIC33FJ16(GP/MC)101/102 AND dsPIC33FJ32(GP/MC)101/102/104

## REGISTER 10-6: RPNR8: PERIPHERAL PIN SELECT INPUT REGISTER 8

|        |     |     |     |     |     |     |       |
|--------|-----|-----|-----|-----|-----|-----|-------|
| U-0    | U-0 | U-0 | U-0 | U-0 | U-0 | U-0 | U-0   |
| —      | —   | —   | —   | —   | —   | —   | —     |
| bit 15 |     |     |     |     |     |     | bit 8 |

|       |     |     |           |       |       |       |       |
|-------|-----|-----|-----------|-------|-------|-------|-------|
| U-0   | U-0 | U-0 | R/W-1     | R/W-1 | R/W-1 | R/W-1 | R/W-1 |
| —     | —   | —   | IC3R<4:0> |       |       |       | —     |
| bit 7 |     |     |           |       |       |       | bit 0 |

|                   |                  |                                    |                    |
|-------------------|------------------|------------------------------------|--------------------|
| <b>Legend:</b>    |                  |                                    |                    |
| R = Readable bit  | W = Writable bit | U = Unimplemented bit, read as '0' |                    |
| -n = Value at POR | '1' = Bit is set | '0' = Bit is cleared               | x = Bit is unknown |

bit 15-5      **Unimplemented:** Read as '0'

bit 4-0      **IC3R<4:0>:** Assign Input Capture 3 (IC3) to the Corresponding RPn Pin bits

11111 = Input tied to Vss

11110 = Reserved

.

.

.

11010 = Reserved

11001 = Input tied to RP25

.

.

.

00001 = Input tied to RP1

00000 = Input tied to RP0

# dsPIC33FJ16(GP/MC)101/102 AND dsPIC33FJ32(GP/MC)101/102/104

## REGISTER 10-7: RPINR11: PERIPHERAL PIN SELECT INPUT REGISTER 11

|        |     |     |     |     |     |     |       |
|--------|-----|-----|-----|-----|-----|-----|-------|
| U-0    | U-0 | U-0 | U-0 | U-0 | U-0 | U-0 | U-0   |
| —      | —   | —   | —   | —   | —   | —   | —     |
| bit 15 |     |     |     |     |     |     | bit 8 |

|       |     |     |            |       |       |       |       |
|-------|-----|-----|------------|-------|-------|-------|-------|
| U-0   | U-0 | U-0 | R/W-1      | R/W-1 | R/W-1 | R/W-1 | R/W-1 |
| —     | —   | —   | OCFAR<4:0> |       |       |       |       |
| bit 7 |     |     |            |       |       |       | bit 0 |

### Legend:

R = Readable bit                      W = Writable bit                      U = Unimplemented bit, read as '0'  
-n = Value at POR                      '1' = Bit is set                      '0' = Bit is cleared                      x = Bit is unknown

bit 15-5                      **Unimplemented:** Read as '0'

bit 4-0                      **OCFAR<4:0>:** Assign Output Capture A (OCFA) to the Corresponding RPn Pin bits

11111 = Input tied to Vss

11110 = Reserved

.

.

.

11010 = Reserved

11001 = Input tied to RP25

.

.

.

00001 = Input tied to RP1

00000 = Input tied to RP0



# dsPIC33FJ16(GP/MC)101/102 AND dsPIC33FJ32(GP/MC)101/102/104

## REGISTER 10-8: RPINR18: PERIPHERAL PIN SELECT INPUT REGISTER 18

|        |     |     |             |       |       |       |       |       |
|--------|-----|-----|-------------|-------|-------|-------|-------|-------|
| U-0    | U-0 | U-0 | R/W-1       | R/W-1 | R/W-1 | R/W-1 | R/W-1 |       |
| —      | —   | —   | U1CTSR<4:0> |       |       |       |       |       |
| bit 15 |     |     |             |       |       |       |       | bit 8 |

|       |     |     |            |       |       |       |       |       |
|-------|-----|-----|------------|-------|-------|-------|-------|-------|
| U-0   | U-0 | U-0 | R/W-1      | R/W-1 | R/W-1 | R/W-1 | R/W-1 |       |
| —     | —   | —   | U1RXR<4:0> |       |       |       |       |       |
| bit 7 |     |     |            |       |       |       |       | bit 0 |

### Legend:

R = Readable bit                      W = Writable bit                      U = Unimplemented bit, read as '0'  
 -n = Value at POR                      '1' = Bit is set                      '0' = Bit is cleared                      x = Bit is unknown

bit 15-13                      **Unimplemented:** Read as '0'

bit 12-8                      **U1CTSR<4:0>:** Assign UART1 Clear-to-Send (U1CTS) to the Corresponding RPn Pin bits

11111 = Input tied to Vss

11110 = Reserved

.

.

.

11010 = Reserved

11001 = Input tied to RP25

.

.

.

00001 = Input tied to RP1

00000 = Input tied to RP0

bit 7-5                      **Unimplemented:** Read as '0'

bit 4-0                      **U1RXR<4:0>:** Assign UART1 Receive (U1RX) to the Corresponding RPn Pin bits

11111 = Input tied to Vss

11110 = Reserved

.

.

.

11010 = Reserved

11001 = Input tied to RP25

.

.

.

00001 = Input tied to RP1

00000 = Input tied to RP0

# dsPIC33FJ16(GP/MC)101/102 AND dsPIC33FJ32(GP/MC)101/102/104

## REGISTER 10-9: RPIR20: PERIPHERAL PIN SELECT INPUT REGISTER 20

|        |     |     |                           |       |       |       |       |       |
|--------|-----|-----|---------------------------|-------|-------|-------|-------|-------|
| U-0    | U-0 | U-0 | R/W-1                     | R/W-1 | R/W-1 | R/W-1 | R/W-1 |       |
| —      | —   | —   | SCK1R<4:0> <sup>(1)</sup> |       |       |       |       |       |
| bit 15 |     |     |                           |       |       |       |       | bit 8 |

|       |     |     |                           |       |       |       |       |       |
|-------|-----|-----|---------------------------|-------|-------|-------|-------|-------|
| U-0   | U-0 | U-0 | R/W-1                     | R/W-1 | R/W-1 | R/W-1 | R/W-1 |       |
| —     | —   | —   | SDI1R<4:0> <sup>(1)</sup> |       |       |       |       |       |
| bit 7 |     |     |                           |       |       |       |       | bit 0 |

### Legend:

R = Readable bit                      W = Writable bit                      U = Unimplemented bit, read as '0'  
 -n = Value at POR                      '1' = Bit is set                      '0' = Bit is cleared                      x = Bit is unknown

bit 15-14                      **Unimplemented:** Read as '0'

bit 13-8                      **SCK1R<4:0>:** Assign SPI1 Clock Input (SCK1IN) to the Corresponding RPn Pin bits<sup>(1)</sup>

11111 = Input tied to Vss  
 11110 = Reserved

.  
 .  
 .

11010 = Reserved  
 11001 = Input tied to RP25

.  
 .  
 .

00001 = Input tied to RP1  
 00000 = Input tied to RP0

bit 7-6                      **Unimplemented:** Read as '0'

bit 5-0                      **SDI1R<4:0>:** Assign SPI1 Data Input (SDI1) to the Corresponding RPn Pin bits<sup>(1)</sup>

11111 = Input tied to Vss  
 11110 = Reserved

.  
 .  
 .

11010 = Reserved  
 11001 = Input tied to RP25

.  
 .  
 .

00001 = Input tied to RP1  
 00000 = Input tied to RP0

**Note 1:** These bits are available in dsPIC33FJ32(GP/MC)10X devices only.

# dsPIC33FJ16(GP/MC)101/102 AND dsPIC33FJ32(GP/MC)101/102/104

## REGISTER 10-10: RPINR21: PERIPHERAL PIN SELECT INPUT REGISTER 21

|        |     |     |     |     |     |     |       |
|--------|-----|-----|-----|-----|-----|-----|-------|
| U-0    | U-0 | U-0 | U-0 | U-0 | U-0 | U-0 | U-0   |
| —      | —   | —   | —   | —   | —   | —   | —     |
| bit 15 |     |     |     |     |     |     | bit 8 |

|       |     |     |           |       |       |       |       |
|-------|-----|-----|-----------|-------|-------|-------|-------|
| U-0   | U-0 | U-0 | R/W-1     | R/W-1 | R/W-1 | R/W-1 | R/W-1 |
| —     | —   | —   | SS1R<4:0> |       |       |       |       |
| bit 7 |     |     |           |       |       |       | bit 0 |

### Legend:

R = Readable bit

W = Writable bit

U = Unimplemented bit, read as '0'

-n = Value at POR

'1' = Bit is set

'0' = Bit is cleared

x = Bit is unknown

bit 15-5      **Unimplemented:** Read as '0'

bit 4-0      **SS1R<4:0>:** Assign SPI1 Slave Select Input (SS1IN) to the Corresponding RPn Pin bits

11111 = Input tied to Vss

11110 = Reserved

.

.

.

11010 = Reserved

11001 = Input tied to RP25

.

.

.

00001 = Input tied to RP1

00000 = Input tied to RP0

# dsPIC33FJ16(GP/MC)101/102 AND dsPIC33FJ32(GP/MC)101/102/104

## REGISTER 10-11: RPOR0: PERIPHERAL PIN SELECT OUTPUT REGISTER 0

|        |     |     |           |       |       |       |       |
|--------|-----|-----|-----------|-------|-------|-------|-------|
| U-0    | U-0 | U-0 | R/W-0     | R/W-0 | R/W-0 | R/W-0 | R/W-0 |
| —      | —   | —   | RP1R<4:0> |       |       |       |       |
| bit 15 |     |     |           |       |       |       | bit 8 |

|       |     |     |           |       |       |       |       |
|-------|-----|-----|-----------|-------|-------|-------|-------|
| U-0   | U-0 | U-0 | R/W-0     | R/W-0 | R/W-0 | R/W-0 | R/W-0 |
| —     | —   | —   | RP0R<4:0> |       |       |       |       |
| bit 7 |     |     |           |       |       |       | bit 0 |

### Legend:

R = Readable bit                      W = Writable bit                      U = Unimplemented bit, read as '0'  
 -n = Value at POR                      '1' = Bit is set                      '0' = Bit is cleared                      x = Bit is unknown

- bit 15-13      **Unimplemented:** Read as '0'
- bit 12-8      **RP1R<4:0>:** Peripheral Output Function is Assigned to RP1 Output Pin bits  
 (see [Table 10-2](#) for peripheral function numbers)
- bit 7-5        **Unimplemented:** Read as '0'
- bit 4-0        **RP0R<4:0>:** Peripheral Output Function is Assigned to RP0 Output Pin bits  
 (see [Table 10-2](#) for peripheral function numbers)

## REGISTER 10-12: RPOR1: PERIPHERAL PIN SELECT OUTPUT REGISTER 1

|        |     |     |                          |       |       |       |       |
|--------|-----|-----|--------------------------|-------|-------|-------|-------|
| U-0    | U-0 | U-0 | R/W-0                    | R/W-0 | R/W-0 | R/W-0 | R/W-0 |
| —      | —   | —   | RP3R<4:0> <sup>(1)</sup> |       |       |       |       |
| bit 15 |     |     |                          |       |       |       | bit 8 |

|       |     |     |                          |       |       |       |       |
|-------|-----|-----|--------------------------|-------|-------|-------|-------|
| U-0   | U-0 | U-0 | R/W-0                    | R/W-0 | R/W-0 | R/W-0 | R/W-0 |
| —     | —   | —   | RP2R<4:0> <sup>(1)</sup> |       |       |       |       |
| bit 7 |     |     |                          |       |       |       | bit 0 |

### Legend:

R = Readable bit                      W = Writable bit                      U = Unimplemented bit, read as '0'  
 -n = Value at POR                      '1' = Bit is set                      '0' = Bit is cleared                      x = Bit is unknown

- bit 15-13      **Unimplemented:** Read as '0'
- bit 12-8      **RP3R<4:0>:** Peripheral Output Function is Assigned to RP3 Output Pin bits<sup>(1)</sup>  
 (see [Table 10-2](#) for peripheral function numbers)
- bit 7-5        **Unimplemented:** Read as '0'
- bit 4-0        **RP2R<4:0>:** Peripheral Output Function is Assigned to RP2 Output Pin bits<sup>(1)</sup>  
 (see [Table 10-2](#) for peripheral function numbers)

**Note 1:** These bits are not available in dsPIC33FJXX(GP/MC)101 devices.

# dsPIC33FJ16(GP/MC)101/102 AND dsPIC33FJ32(GP/MC)101/102/104

## REGISTER 10-13: RPOR2: PERIPHERAL PIN SELECT OUTPUT REGISTER 2

|        |     |     |                          |       |       |       |       |
|--------|-----|-----|--------------------------|-------|-------|-------|-------|
| U-0    | U-0 | U-0 | R/W-0                    | R/W-0 | R/W-0 | R/W-0 | R/W-0 |
| —      | —   | —   | RP5R<4:0> <sup>(1)</sup> |       |       |       |       |
| bit 15 |     |     |                          |       |       |       | bit 8 |

|       |     |     |           |       |       |       |       |
|-------|-----|-----|-----------|-------|-------|-------|-------|
| U-0   | U-0 | U-0 | R/W-0     | R/W-0 | R/W-0 | R/W-0 | R/W-0 |
| —     | —   | —   | RP4R<4:0> |       |       |       |       |
| bit 7 |     |     |           |       |       |       | bit 0 |

### Legend:

R = Readable bit                      W = Writable bit                      U = Unimplemented bit, read as '0'  
 -n = Value at POR                      '1' = Bit is set                      '0' = Bit is cleared                      x = Bit is unknown

- bit 15-13      **Unimplemented:** Read as '0'
- bit 12-8      **RP5R<4:0>:** Peripheral Output Function is Assigned to RP5 Output Pin bits<sup>(1)</sup>  
                   (see [Table 10-2](#) for peripheral function numbers)
- bit 7-5        **Unimplemented:** Read as '0'
- bit 4-0        **RP4R<4:0>:** Peripheral Output Function is Assigned to RP4 Output Pin bits  
                   (see [Table 10-2](#) for peripheral function numbers)

**Note 1:** These bits are not available in dsPIC33FJ(16/32)(GP/MC)101 devices.

## REGISTER 10-14: RPOR3: PERIPHERAL PIN SELECT OUTPUT REGISTER 3

|        |     |     |           |       |       |       |       |
|--------|-----|-----|-----------|-------|-------|-------|-------|
| U-0    | U-0 | U-0 | R/W-0     | R/W-0 | R/W-0 | R/W-0 | R/W-0 |
| —      | —   | —   | RP7R<4:0> |       |       |       |       |
| bit 15 |     |     |           |       |       |       | bit 8 |

|       |     |     |                          |       |       |       |       |
|-------|-----|-----|--------------------------|-------|-------|-------|-------|
| U-0   | U-0 | U-0 | R/W-0                    | R/W-0 | R/W-0 | R/W-0 | R/W-0 |
| —     | —   | —   | RP6R<4:0> <sup>(1)</sup> |       |       |       |       |
| bit 7 |     |     |                          |       |       |       | bit 0 |

### Legend:

R = Readable bit                      W = Writable bit                      U = Unimplemented bit, read as '0'  
 -n = Value at POR                      '1' = Bit is set                      '0' = Bit is cleared                      x = Bit is unknown

- bit 15-13      **Unimplemented:** Read as '0'
- bit 12-8      **RP7R<4:0>:** Peripheral Output Function is Assigned to RP7 Output Pin bits  
                   (see [Table 10-2](#) for peripheral function numbers)
- bit 7-5        **Unimplemented:** Read as '0'
- bit 4-0        **RP6R<4:0>:** Peripheral Output Function is Assigned to RP6 Output Pin bits<sup>(1)</sup>  
                   (see [Table 10-2](#) for peripheral function numbers)

**Note 1:** These bits are not available in dsPIC33FJ(16/32)(GP/MC)101 devices.

# dsPIC33FJ16(GP/MC)101/102 AND dsPIC33FJ32(GP/MC)101/102/104

## REGISTER 10-15: RPOR4: PERIPHERAL PIN SELECT OUTPUT REGISTER 4

|        |     |     |           |       |       |       |       |
|--------|-----|-----|-----------|-------|-------|-------|-------|
| U-0    | U-0 | U-0 | R/W-0     | R/W-0 | R/W-0 | R/W-0 | R/W-0 |
| —      | —   | —   | RP9R<4:0> |       |       |       |       |
| bit 15 |     |     |           |       |       |       | bit 8 |

|       |     |     |           |       |       |       |       |
|-------|-----|-----|-----------|-------|-------|-------|-------|
| U-0   | U-0 | U-0 | R/W-0     | R/W-0 | R/W-0 | R/W-0 | R/W-0 |
| —     | —   | —   | RP8R<4:0> |       |       |       |       |
| bit 7 |     |     |           |       |       |       | bit 0 |

### Legend:

R = Readable bit                      W = Writable bit                      U = Unimplemented bit, read as '0'  
 -n = Value at POR                      '1' = Bit is set                      '0' = Bit is cleared                      x = Bit is unknown

- bit 15-13      **Unimplemented:** Read as '0'
- bit 12-8      **RP9R<4:0>:** Peripheral Output Function is Assigned to RP9 Output Pin bits  
 (see [Table 10-2](#) for peripheral function numbers)
- bit 7-5      **Unimplemented:** Read as '0'
- bit 4-0      **RP8R<4:0>:** Peripheral Output Function is Assigned to RP8 Output Pin bits  
 (see [Table 10-2](#) for peripheral function numbers)

## REGISTER 10-16: RPOR5: PERIPHERAL PIN SELECT OUTPUT REGISTER 5

|        |     |     |                           |       |       |       |       |
|--------|-----|-----|---------------------------|-------|-------|-------|-------|
| U-0    | U-0 | U-0 | R/W-0                     | R/W-0 | R/W-0 | R/W-0 | R/W-0 |
| —      | —   | —   | RP11R<4:0> <sup>(1)</sup> |       |       |       |       |
| bit 15 |     |     |                           |       |       |       | bit 8 |

|       |     |     |                           |       |       |       |       |
|-------|-----|-----|---------------------------|-------|-------|-------|-------|
| U-0   | U-0 | U-0 | R/W-0                     | R/W-0 | R/W-0 | R/W-0 | R/W-0 |
| —     | —   | —   | RP10R<4:0> <sup>(1)</sup> |       |       |       |       |
| bit 7 |     |     |                           |       |       |       | bit 0 |

### Legend:

R = Readable bit                      W = Writable bit                      U = Unimplemented bit, read as '0'  
 -n = Value at POR                      '1' = Bit is set                      '0' = Bit is cleared                      x = Bit is unknown

- bit 15-13      **Unimplemented:** Read as '0'
- bit 12-8      **RP11R<4:0>:** Peripheral Output Function is Assigned to RP11 Output Pin bits<sup>(1)</sup>  
 (see [Table 10-2](#) for peripheral function numbers)
- bit 7-5      **Unimplemented:** Read as '0'
- bit 4-0      **RP10R<4:0>:** Peripheral Output Function is Assigned to RP10 Output Pin bits<sup>(1)</sup>  
 (see [Table 10-2](#) for peripheral function numbers)

**Note 1:** These bits are not available in dsPIC33FJXX(GP/MC)101 devices.

# dsPIC33FJ16(GP/MC)101/102 AND dsPIC33FJ32(GP/MC)101/102/104

## REGISTER 10-17: RPOR6: PERIPHERAL PIN SELECT OUTPUT REGISTER 6

|        |     |     |                           |       |       |       |       |
|--------|-----|-----|---------------------------|-------|-------|-------|-------|
| U-0    | U-0 | U-0 | R/W-0                     | R/W-0 | R/W-0 | R/W-0 | R/W-0 |
| —      | —   | —   | RP13R<4:0> <sup>(1)</sup> |       |       |       |       |
| bit 15 |     |     |                           |       |       |       | bit 8 |

|       |     |     |                           |       |       |       |       |
|-------|-----|-----|---------------------------|-------|-------|-------|-------|
| U-0   | U-0 | U-0 | R/W-0                     | R/W-0 | R/W-0 | R/W-0 | R/W-0 |
| —     | —   | —   | RP12R<4:0> <sup>(1)</sup> |       |       |       |       |
| bit 7 |     |     |                           |       |       |       | bit 0 |

### Legend:

R = Readable bit                      W = Writable bit                      U = Unimplemented bit, read as '0'  
 -n = Value at POR                      '1' = Bit is set                      '0' = Bit is cleared                      x = Bit is unknown

- bit 15-13      **Unimplemented:** Read as '0'
- bit 12-8      **RP13R<4:0>:** Peripheral Output Function is Assigned to RP13 Output Pin bits<sup>(1)</sup>  
                   (see [Table 10-2](#) for peripheral function numbers)
- bit 7-5        **Unimplemented:** Read as '0'
- bit 4-0        **RP12R<4:0>:** Peripheral Output Function is Assigned to RP12 Output Pin bits<sup>(1)</sup>  
                   (see [Table 10-2](#) for peripheral function numbers)

**Note 1:** These bits are not available in dsPIC33FJXXGP101 devices.

## REGISTER 10-18: RPOR7: PERIPHERAL PIN SELECT OUTPUT REGISTER 7

|        |     |     |            |       |       |       |       |
|--------|-----|-----|------------|-------|-------|-------|-------|
| U-0    | U-0 | U-0 | R/W-0      | R/W-0 | R/W-0 | R/W-0 | R/W-0 |
| —      | —   | —   | RP15R<4:0> |       |       |       |       |
| bit 15 |     |     |            |       |       |       | bit 8 |

|       |     |     |            |       |       |       |       |
|-------|-----|-----|------------|-------|-------|-------|-------|
| U-0   | U-0 | U-0 | R/W-0      | R/W-0 | R/W-0 | R/W-0 | R/W-0 |
| —     | —   | —   | RP14R<4:0> |       |       |       |       |
| bit 7 |     |     |            |       |       |       | bit 0 |

### Legend:

R = Readable bit                      W = Writable bit                      U = Unimplemented bit, read as '0'  
 -n = Value at POR                      '1' = Bit is set                      '0' = Bit is cleared                      x = Bit is unknown

- bit 15-13      **Unimplemented:** Read as '0'
- bit 12-8      **RP15R<4:0>:** Peripheral Output Function is Assigned to RP15 Output Pin bits  
                   (see [Table 10-2](#) for peripheral function numbers)
- bit 7-5        **Unimplemented:** Read as '0'
- bit 4-0        **RP14R<4:0>:** Peripheral Output Function is Assigned to RP14 Output Pin bits  
                   (see [Table 10-2](#) for peripheral function numbers)

# dsPIC33FJ16(GP/MC)101/102 AND dsPIC33FJ32(GP/MC)101/102/104

## REGISTER 10-19: RPOR8: PERIPHERAL PIN SELECT OUTPUT REGISTER 8

|        |     |     |                           |       |       |       |       |
|--------|-----|-----|---------------------------|-------|-------|-------|-------|
| U-0    | U-0 | U-0 | R/W-0                     | R/W-0 | R/W-0 | R/W-0 | R/W-0 |
| —      | —   | —   | RP17R<4:0> <sup>(1)</sup> |       |       |       |       |
| bit 15 |     |     |                           |       |       |       | bit 8 |

|       |     |     |                           |       |       |       |       |
|-------|-----|-----|---------------------------|-------|-------|-------|-------|
| U-0   | U-0 | U-0 | R/W-0                     | R/W-0 | R/W-0 | R/W-0 | R/W-0 |
| —     | —   | —   | RP16R<4:0> <sup>(1)</sup> |       |       |       |       |
| bit 7 |     |     |                           |       |       |       | bit 0 |

### Legend:

R = Readable bit                      W = Writable bit                      U = Unimplemented bit, read as '0'  
 -n = Value at POR                      '1' = Bit is set                      '0' = Bit is cleared                      x = Bit is unknown

- bit 15-13      **Unimplemented:** Read as '0'
- bit 12-8      **RP17R<4:0>:** Peripheral Output Function is Assigned to RP17 Output Pin bits<sup>(1)</sup>  
                   (see [Table 10-2](#) for peripheral function numbers)
- bit 7-5        **Unimplemented:** Read as '0'
- bit 4-0        **RP16R<4:0>:** Peripheral Output Function is Assigned to RP16 Output Pin bits<sup>(1)</sup>  
                   (see [Table 10-2](#) for peripheral function numbers)

**Note 1:** These bits are available in dsPIC33FJ32(GP/MC)104 devices only.

## REGISTER 10-20: RPOR9: PERIPHERAL PIN SELECT OUTPUT REGISTER 9

|        |     |     |                           |       |       |       |       |
|--------|-----|-----|---------------------------|-------|-------|-------|-------|
| U-0    | U-0 | U-0 | R/W-0                     | R/W-0 | R/W-0 | R/W-0 | R/W-0 |
| —      | —   | —   | RP19R<4:0> <sup>(1)</sup> |       |       |       |       |
| bit 15 |     |     |                           |       |       |       | bit 8 |

|       |     |     |                           |       |       |       |       |
|-------|-----|-----|---------------------------|-------|-------|-------|-------|
| U-0   | U-0 | U-0 | R/W-0                     | R/W-0 | R/W-0 | R/W-0 | R/W-0 |
| —     | —   | —   | RP18R<4:0> <sup>(1)</sup> |       |       |       |       |
| bit 7 |     |     |                           |       |       |       | bit 0 |

### Legend:

R = Readable bit                      W = Writable bit                      U = Unimplemented bit, read as '0'  
 -n = Value at POR                      '1' = Bit is set                      '0' = Bit is cleared                      x = Bit is unknown

- bit 15-13      **Unimplemented:** Read as '0'
- bit 12-8      **RP19R<4:0>:** Peripheral Output Function is Assigned to RP19 Output Pin bits<sup>(1)</sup>  
                   (see [Table 10-2](#) for peripheral function numbers)
- bit 7-5        **Unimplemented:** Read as '0'
- bit 4-0        **RP18R<4:0>:** Peripheral Output Function is Assigned to RP18 Output Pin bits<sup>(1)</sup>  
                   (see [Table 10-2](#) for peripheral function numbers)

**Note 1:** These bits are available in dsPIC33FJ32(GP/MC)104 devices only.



# dsPIC33FJ16(GP/MC)101/102 AND dsPIC33FJ32(GP/MC)101/102/104

## REGISTER 10-21: RPOR10: PERIPHERAL PIN SELECT OUTPUT REGISTER 10

|        |     |     |                           |       |       |       |       |
|--------|-----|-----|---------------------------|-------|-------|-------|-------|
| U-0    | U-0 | U-0 | R/W-0                     | R/W-0 | R/W-0 | R/W-0 | R/W-0 |
| —      | —   | —   | RP21R<4:0> <sup>(1)</sup> |       |       |       |       |
| bit 15 |     |     |                           |       |       |       | bit 8 |

|       |     |     |                           |       |       |       |       |
|-------|-----|-----|---------------------------|-------|-------|-------|-------|
| U-0   | U-0 | U-0 | R/W-0                     | R/W-0 | R/W-0 | R/W-0 | R/W-0 |
| —     | —   | —   | RP20R<4:0> <sup>(1)</sup> |       |       |       |       |
| bit 7 |     |     |                           |       |       |       | bit 0 |

### Legend:

R = Readable bit                      W = Writable bit                      U = Unimplemented bit, read as '0'  
-n = Value at POR                      '1' = Bit is set                      '0' = Bit is cleared                      x = Bit is unknown

- bit 15-13      **Unimplemented:** Read as '0'
- bit 12-8      **RP21R<4:0>:** Peripheral Output Function is Assigned to RP21 Output Pin bits<sup>(1)</sup>  
(see [Table 10-2](#) for peripheral function numbers)
- bit 7-5      **Unimplemented:** Read as '0'
- bit 4-0      **RP20R<4:0>:** Peripheral Output Function is Assigned to RP20 Output Pin bits<sup>(1)</sup>  
(see [Table 10-2](#) for peripheral function numbers)

**Note 1:** These bits are available in dsPIC33FJ32(GP/MC)104 devices only.

## REGISTER 10-22: RPOR11: PERIPHERAL PIN SELECT OUTPUT REGISTER 11

|        |     |     |                           |       |       |       |       |
|--------|-----|-----|---------------------------|-------|-------|-------|-------|
| U-0    | U-0 | U-0 | R/W-0                     | R/W-0 | R/W-0 | R/W-0 | R/W-0 |
| —      | —   | —   | RP23R<4:0> <sup>(1)</sup> |       |       |       |       |
| bit 15 |     |     |                           |       |       |       | bit 8 |

|       |     |     |                           |       |       |       |       |
|-------|-----|-----|---------------------------|-------|-------|-------|-------|
| U-0   | U-0 | U-0 | R/W-0                     | R/W-0 | R/W-0 | R/W-0 | R/W-0 |
| —     | —   | —   | RP22R<4:0> <sup>(1)</sup> |       |       |       |       |
| bit 7 |     |     |                           |       |       |       | bit 0 |

### Legend:

R = Readable bit                      W = Writable bit                      U = Unimplemented bit, read as '0'  
-n = Value at POR                      '1' = Bit is set                      '0' = Bit is cleared                      x = Bit is unknown

- bit 15-13      **Unimplemented:** Read as '0'
- bit 12-8      **RP23R<4:0>:** Peripheral Output Function is Assigned to RP23 Output Pin bits<sup>(1)</sup>  
(see [Table 10-2](#) for peripheral function numbers)
- bit 7-5      **Unimplemented:** Read as '0'
- bit 4-0      **RP22R<4:0>:** Peripheral Output Function is Assigned to RP22 Output Pin bits<sup>(1)</sup>  
(see [Table 10-2](#) for peripheral function numbers)

**Note 1:** These bits are available in dsPIC33FJ32(GP/MC)104 devices only.

# dsPIC33FJ16(GP/MC)101/102 AND dsPIC33FJ32(GP/MC)101/102/104

## REGISTER 10-23: RPOR12: PERIPHERAL PIN SELECT OUTPUT REGISTER 12

|        |     |     |                           |       |       |       |       |
|--------|-----|-----|---------------------------|-------|-------|-------|-------|
| U-0    | U-0 | U-0 | R/W-0                     | R/W-0 | R/W-0 | R/W-0 | R/W-0 |
| —      | —   | —   | RP25R<4:0> <sup>(1)</sup> |       |       |       |       |
| bit 15 |     |     |                           |       |       |       | bit 8 |

|       |     |     |                           |       |       |       |       |
|-------|-----|-----|---------------------------|-------|-------|-------|-------|
| U-0   | U-0 | U-0 | R/W-0                     | R/W-0 | R/W-0 | R/W-0 | R/W-0 |
| —     | —   | —   | RP24R<4:0> <sup>(1)</sup> |       |       |       |       |
| bit 7 |     |     |                           |       |       |       | bit 0 |

### Legend:

R = Readable bit                      W = Writable bit                      U = Unimplemented bit, read as '0'  
 -n = Value at POR                      '1' = Bit is set                      '0' = Bit is cleared                      x = Bit is unknown

- bit 15-13      **Unimplemented:** Read as '0'
- bit 12-8      **RP25R<4:0>:** Peripheral Output Function is Assigned to RP25 Output Pin bits<sup>(1)</sup>  
                   (see [Table 10-2](#) for peripheral function numbers)
- bit 7-5        **Unimplemented:** Read as '0'
- bit 4-0        **RP24R<4:0>:** Peripheral Output Function is Assigned to RP24 Output Pin bits<sup>(1)</sup>  
                   (see [Table 10-2](#) for peripheral function numbers)

**Note 1:** These bits are available in dsPIC33FJ32(GP/MC)104 devices only.

## 11.0 TIMER1

**Note 1:** This data sheet summarizes the features of the dsPIC33FJ16(GP/MC)101/102 and dsPIC33FJ32(GP/MC)101/102/104 family devices. It is not intended to be a comprehensive reference source. To complement the information in this data sheet, refer to **Section 11. “Timers”** (DS70205) in the “dsPIC33F/PIC24H Family Reference Manual”, which is available from the Microchip web site ([www.microchip.com](http://www.microchip.com)).

**2:** Some registers and associated bits described in this section may not be available on all devices. Refer to **Section 4.0 “Memory Organization”** in this data sheet for device-specific register and bit information.

The Timer1 module is a 16-bit timer, which can serve as the time counter for the Real-Time Clock (RTC) or operate as a free-running interval timer/counter. Timer1 can operate in three modes:

- 16-bit Timer
- 16-bit Synchronous Counter
- 16-bit Asynchronous Counter

Timer1 also supports these features:

- Timer gate operation
- Selectable prescaler settings
- Timer operation during CPU Idle and Sleep modes
- Interrupt on 16-bit Period register match or falling edge of external gate signal

Figure 11-1 presents a block diagram of the 16-bit timer module.

To configure Timer1 for operation:

1. Load the timer value into the TMR1 register.
2. Load the timer period value into the PR1 register.
3. Select the timer prescaler ratio using the TCKPS<1:0> bits in the T1CON register.
4. Set the Clock and Gating modes using the TCS and TGATE bits in the T1CON register.
5. Set or clear the TSYNC bit in T1CON to select synchronous or asynchronous operation.
6. If interrupts are required, set the Timer1 Interrupt Enable bit, T1IE. Use the Timer1 Interrupt Priority bits, T1IP<2:0>, to set the interrupt priority.
7. Set the TON bit (= 1) in the T1CON register.

**FIGURE 11-1: 16-BIT TIMER1 MODULE BLOCK DIAGRAM**



# dsPIC33FJ16(GP/MC)101/102 AND dsPIC33FJ32(GP/MC)101/102/104

## 11.1 Timer1 Control Register

REGISTER 11-1: T1CON: TIMER1 CONTROL REGISTER

|                    |     |       |     |     |     |     |       |
|--------------------|-----|-------|-----|-----|-----|-----|-------|
| R/W-0              | U-0 | R/W-0 | U-0 | U-0 | U-0 | U-0 | U-0   |
| TON <sup>(1)</sup> | —   | TSIDL | —   | —   | —   | —   | —     |
| bit 15             |     |       |     |     |     |     | bit 8 |

|       |       |            |       |     |       |                    |       |
|-------|-------|------------|-------|-----|-------|--------------------|-------|
| U-0   | R/W-0 | R/W-0      | R/W-0 | U-0 | R/W-0 | R/W-0              | U-0   |
| —     | TGATE | TCKPS<1:0> |       | —   | TSYNC | TCS <sup>(1)</sup> | —     |
| bit 7 |       |            |       |     |       |                    | bit 0 |

|                   |                  |                                    |                    |
|-------------------|------------------|------------------------------------|--------------------|
| <b>Legend:</b>    |                  |                                    |                    |
| R = Readable bit  | W = Writable bit | U = Unimplemented bit, read as '0' |                    |
| -n = Value at POR | '1' = Bit is set | '0' = Bit is cleared               | x = Bit is unknown |

- bit 15      **TON:** Timer1 On bit<sup>(1)</sup>  
             1 = Starts 16-bit Timer1  
             0 = Stops 16-bit Timer1
- bit 14      **Unimplemented:** Read as '0'
- bit 13      **TSIDL:** Timer1 Stop in Idle Mode bit  
             1 = Discontinues module operation when device enters Idle mode  
             0 = Continues module operation in Idle mode
- bit 12-7    **Unimplemented:** Read as '0'
- bit 6      **TGATE:** Timer1 Gated Time Accumulation Enable bit  
             When TCS = 1:  
             This bit is ignored.  
             When TCS = 0:  
             1 = Gated time accumulation is enabled  
             0 = Gated time accumulation is disabled
- bit 5-4    **TCKPS<1:0>** Timer1 Input Clock Prescale Select bits  
             11 = 1:256  
             10 = 1:64  
             01 = 1:8  
             00 = 1:1
- bit 3      **Unimplemented:** Read as '0'
- bit 2      **TSYNC:** Timer1 External Clock Input Synchronization Select bit  
             When TCS = 1:  
             1 = Synchronizes external clock input  
             0 = Does not synchronize external clock input  
             When TCS = 0:  
             This bit is ignored.
- bit 1      **TCS:** Timer1 Clock Source Select bit<sup>(1)</sup>  
             1 = External clock from pin, T1CK (on the rising edge)  
             0 = Internal clock (FCY)
- bit 0      **Unimplemented:** Read as '0'

**Note 1:** When TCS = 1 and TON = 1, writes to the TMR1 register are inhibited from the CPU.

## 12.0 TIMER2/3 AND TIMER4/5

**Note 1:** This data sheet summarizes the features of the dsPIC33FJ16(GP/MC)101/102 and dsPIC33FJ32(GP/MC)101/102/104 family devices. It is not intended to be a comprehensive reference source. To complement the information in this data sheet, refer to **Section 11. “Timers”** (DS70205) in the “*dsPIC33F/PIC24H Family Reference Manual*”, which is available from the Microchip web site ([www.microchip.com](http://www.microchip.com)).

**2:** Some registers and associated bits described in this section may not be available on all devices. Refer to **Section 4.0 “Memory Organization”** in this data sheet for device-specific register and bit information.

Timer2/3 and Timer4/5 have three 2-bit timers that can also be configured as two independent 16-bit timers with selectable operating modes.

**Note 1:** Timer4 and Timer5 are available in dsPIC33FJ32(GP/MC10X) devices only.

As a 32-bit timer, Timer2/3 and Timer4/5 permit operation in three modes:

- Two independent 16-bit timers (e.g., Timer2 and Timer3 or Timer4 and Timer5) with all 16-bit operating modes (except Asynchronous Counter mode)
- Single 32-bit timer (Timer2/3 and Timer4/5)
- Single 32-bit synchronous counter (Timer2/3 and Timer4/5)

Timer2/3 and Timer4/5 also support:

- Timer gate operation
- Selectable prescaler settings
- Timer operation during Idle and Sleep modes
- Interrupt on a 32-bit Period register match
- Time base for input capture and output compare modules (Timer2 and Timer3 only)
- ADC1 event trigger (Timer2/3 only)

Individually, all eight of the 16-bit timers can function as synchronous timers or counters. They also offer the features listed above, except for the event trigger. The operating modes and enabled features are determined by setting the appropriate bit(s) in the T2CON, T3CON, T4CON and T5CON registers (see [Register 12-1](#) through [Register 12-2](#)).

For 32-bit timer/counter operation, Timer2/4 is the least significant word (lsw) and Timer3/5 is the most significant word (msw) of the 32-bit timers.

**Note:** For 32-bit operation, T3CON and T5CON control bits are ignored. Only T2CON and T4CON control bits are used for setup and control. Timer2 and Timer4 clock and gate inputs are used for the 32-bit timer modules, but an interrupt is generated with the Timer3 and Timer5 interrupt flags.

### 12.1 32-Bit Operation

To configure Timer2/3 and Timer4/5 for 32-bit operation:

1. Set the T32 control bit.
2. Select the prescaler ratio for Timer2 or Timer4 using the TCKPS<1:0> bits.
3. Set the Clock and Gating modes using the corresponding TCS and TGATE bits.
4. Load the timer period value. PR3/PR5 contains the msw of the value, while PR2/PR4 contains the least significant word (lsw).
5. If interrupts are required, set the interrupt enable bit, T3IE or T5IE. Use the priority bits, T3IP<2:0> or T5IP<2:0>, to set the interrupt priority. While Timer2/Timer4 controls the timer, the interrupt appears as a Timer3/Timer5 interrupt.
6. Set the corresponding TON bit.

The timer value at any point is stored in the register pair, TMR3:TMR2 or TMR5:TMR4, which always contains the msw of the count, while TMR2 or TMR4 contains the lsw.

### 12.2 16-Bit Operation

To configure any of the timers for individual 16-bit operation:

1. Clear the T32 bit corresponding to that timer.
2. Select the timer prescaler ratio using the TCKPS<1:0> bits.
3. Set the Clock and Gating modes using the TCS and TGATE bits.
4. Load the timer period value into the PRx register.
5. If interrupts are required, set the interrupt enable bit, TxIE. Use the priority bits, TxIP<2:0>, to set the interrupt priority.
6. Set the TON bit.

FIGURE 12-1: TIMER2/3 AND TIMER4/5 (32-BIT) BLOCK DIAGRAM<sup>(1,3,4)</sup>

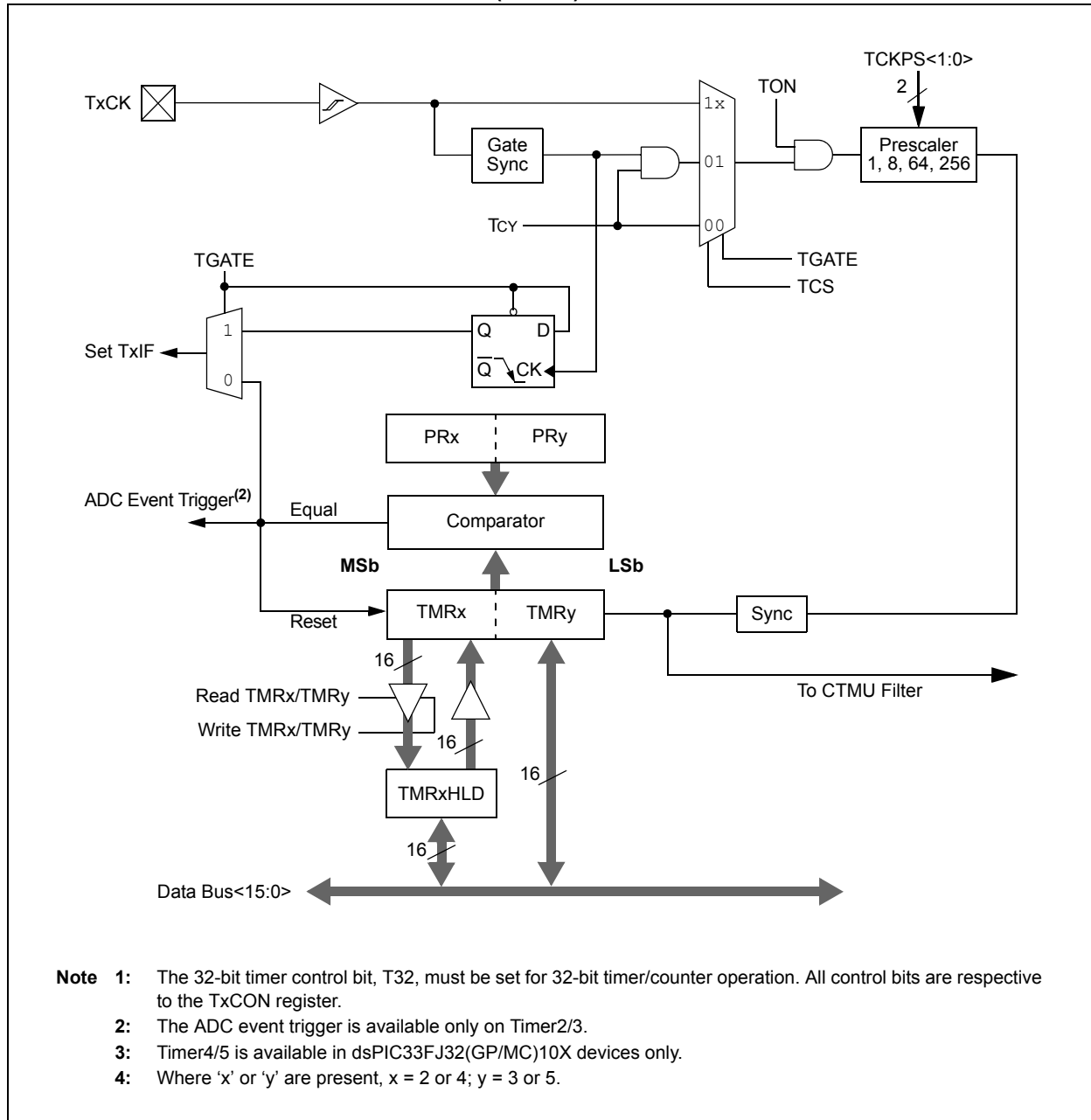


FIGURE 12-2: TIMER2 AND TIMER4 (16-BIT) BLOCK DIAGRAM<sup>(1)</sup>

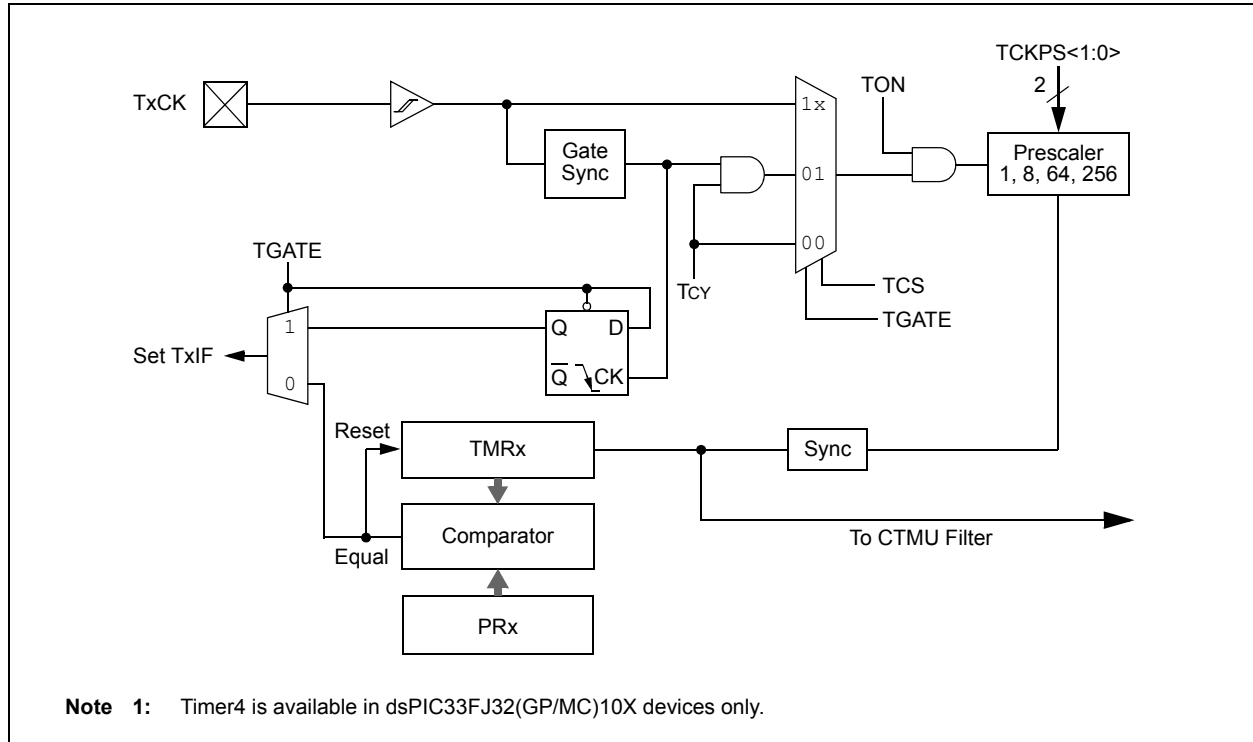


FIGURE 12-3: TIMER3 AND TIMER5 (16-BIT) BLOCK DIAGRAM<sup>(1)</sup>



## 12.3 Timer2/3 and Timer4/5 Control Registers

### REGISTER 12-1: T2CON CONTROL REGISTER

|        |     |       |     |     |     |     |       |
|--------|-----|-------|-----|-----|-----|-----|-------|
| R/W-0  | U-0 | R/W-0 | U-0 | U-0 | U-0 | U-0 | U-0   |
| TON    | —   | TSIDL | —   | —   | —   | —   | —     |
| bit 15 |     |       |     |     |     |     | bit 8 |

|       |       |            |       |       |     |       |       |
|-------|-------|------------|-------|-------|-----|-------|-------|
| U-0   | R/W-0 | R/W-0      | R/W-0 | R/W-0 | U-0 | R/W-0 | U-0   |
| —     | TGATE | TCKPS<1:0> |       | T32   | —   | TCS   | —     |
| bit 7 |       |            |       |       |     |       | bit 0 |

#### Legend:

R = Readable bit

W = Writable bit

U = Unimplemented bit, read as '0'

-n = Value at POR

'1' = Bit is set

'0' = Bit is cleared

x = Bit is unknown

- bit 15      **TON:** Timer2 On bit  
 When T32 = 1:  
 1 = Starts 32-bit Timer2/3  
 0 = Stops 32-bit Timer2/3  
 When T32 = 0:  
 1 = Starts 16-bit Timer2  
 0 = Stops 16-bit Timer2
- bit 14      **Unimplemented:** Read as '0'
- bit 13      **TSIDL:** Timer2 Stop in Idle Mode bit  
 1 = Discontinues module operation when device enters Idle mode  
 0 = Continues module operation in Idle mode
- bit 12-7    **Unimplemented:** Read as '0'
- bit 6      **TGATE:** Timer2 Gated Time Accumulation Enable bit  
 When TCS = 1:  
 This bit is ignored.  
 When TCS = 0:  
 1 = Gated time accumulation is enabled  
 0 = Gated time accumulation is disabled
- bit 5-4    **TCKPS<1:0>:** Timer2 Input Clock Prescale Select bits  
 11 = 1:256  
 10 = 1:64  
 01 = 1:8  
 00 = 1:1
- bit 3      **T32:** 32-Bit Timer Mode Select bit  
 1 = Timer2 and Timer3 form a single 32-bit timer  
 0 = Timer2 and Timer3 act as two 16-bit timers
- bit 2      **Unimplemented:** Read as '0'
- bit 1      **TCS:** Timer2 Clock Source Select bit  
 1 = External clock from pin, T2CK (on the rising edge)  
 0 = Internal clock (FCY)
- bit 0      **Unimplemented:** Read as '0'



# dsPIC33FJ16(GP/MC)101/102 AND dsPIC33FJ32(GP/MC)101/102/104

## REGISTER 12-2: T3CON CONTROL REGISTER

|                    |     |                      |     |     |     |     |       |
|--------------------|-----|----------------------|-----|-----|-----|-----|-------|
| R/W-0              | U-0 | R/W-0                | U-0 | U-0 | U-0 | U-0 | U-0   |
| TON <sup>(2)</sup> | —   | TSIDL <sup>(1)</sup> | —   | —   | —   | —   | —     |
| bit 15             |     |                      |     |     |     |     | bit 8 |

|       |                      |                           |       |     |     |                    |       |
|-------|----------------------|---------------------------|-------|-----|-----|--------------------|-------|
| U-0   | R/W-0                | R/W-0                     | R/W-0 | U-0 | U-0 | R/W-0              | U-0   |
| —     | TGATE <sup>(2)</sup> | TCKPS<1:0> <sup>(2)</sup> |       | —   | —   | TCS <sup>(2)</sup> | —     |
| bit 7 |                      |                           |       |     |     |                    | bit 0 |

### Legend:

R = Readable bit                      W = Writable bit                      U = Unimplemented bit, read as '0'  
 -n = Value at POR                      '1' = Bit is set                      '0' = Bit is cleared                      x = Bit is unknown

- bit 15            **TON:** Timer3 On bit<sup>(2)</sup>  
                   1 = Starts 16-bit Timer3  
                   0 = Stops 16-bit Timer3
- bit 14            **Unimplemented:** Read as '0'
- bit 13            **TSIDL:** Timer3 Stop in Idle Mode bit<sup>(1)</sup>  
                   1 = Discontinues timer operation when device enters Idle mode  
                   0 = Continues timer operation in Idle mode
- bit 12-7        **Unimplemented:** Read as '0'
- bit 6            **TGATE:** Timer3 Gated Time Accumulation Enable bit<sup>(2)</sup>  
                   When TCS = 1:  
                   This bit is ignored.  
                   When TCS = 0:  
                   1 = Gated time accumulation is enabled  
                   0 = Gated time accumulation is disabled
- bit 5-4        **TCKPS<1:0>:** Timer3 Input Clock Prescale Select bits<sup>(2)</sup>  
                   11 = 1:256 prescale value  
                   10 = 1:64 prescale value  
                   01 = 1:8 prescale value  
                   00 = 1:1 prescale value
- bit 3-2        **Unimplemented:** Read as '0'
- bit 1            **TCS:** Timer3 Clock Source Select bit<sup>(2)</sup>  
                   1 = External clock from T3CK pin  
                   0 = Internal clock (FOSC/2)
- bit 0            **Unimplemented:** Read as '0'

- Note 1:** When 32-bit timer operation is enabled (T32 = 1) in the Timer2 Control register (T2CON<3>), the TSIDL bit must be cleared to operate the 32-bit timer in Idle mode.
- 2:** When the 32-bit timer operation is enabled (T32 = 1) in the Timer2 Control register (T2CON<3>), these bits have no effect.

# dsPIC33FJ16(GP/MC)101/102 AND dsPIC33FJ32(GP/MC)101/102/104

## REGISTER 12-3: T4CON CONTROL REGISTER<sup>(1)</sup>

|        |     |       |     |     |     |     |       |
|--------|-----|-------|-----|-----|-----|-----|-------|
| R/W-0  | U-0 | R/W-0 | U-0 | U-0 | U-0 | U-0 | U-0   |
| TON    | —   | TSIDL | —   | —   | —   | —   | —     |
| bit 15 |     |       |     |     |     |     | bit 8 |

|       |       |            |       |       |     |       |       |
|-------|-------|------------|-------|-------|-----|-------|-------|
| U-0   | R/W-0 | R/W-0      | R/W-0 | R/W-0 | U-0 | R/W-0 | U-0   |
| —     | TGATE | TCKPS<1:0> |       | T32   | —   | TCS   | —     |
| bit 7 |       |            |       |       |     |       | bit 0 |

### Legend:

R = Readable bit                      W = Writable bit                      U = Unimplemented bit, read as '0'  
 -n = Value at POR                      '1' = Bit is set                      '0' = Bit is cleared                      x = Bit is unknown

- bit 15            **TON:** Timer4 On bit  
                   When T32 = 1:  
                   1 = Starts 32-bit Timer4/5  
                   0 = Stops 32-bit Timer4/5  
                   When T32 = 0:  
                   1 = Starts 16-bit Timer4  
                   0 = Stops 16-bit Timer4
- bit 14            **Unimplemented:** Read as '0'
- bit 13            **TSIDL:** Timer4 Stop in Idle Mode bit  
                   1 = Discontinues module operation when device enters Idle mode  
                   0 = Continues module operation in Idle mode
- bit 12-7        **Unimplemented:** Read as '0'
- bit 6            **TGATE:** Timer4 Gated Time Accumulation Enable bit  
                   When TCS = 1:  
                   This bit is ignored.  
                   When TCS = 0:  
                   1 = Gated time accumulation is enabled  
                   0 = Gated time accumulation is disabled
- bit 5-4        **TCKPS<1:0>:** Timer4 Input Clock Prescale Select bits  
                   11 = 1:256  
                   10 = 1:64  
                   01 = 1:8  
                   00 = 1:1
- bit 3            **T32:** 32-Bit Timer Mode Select bit  
                   1 = Timer4 and Timer5 form a single 32-bit timer  
                   0 = Timer4 and Timer5 act as two 16-bit timers
- bit 2            **Unimplemented:** Read as '0'
- bit 1            **TCS:** Timer4 Clock Source Select bit  
                   1 = External clock from pin, T4CK (on the rising edge)  
                   0 = Internal clock (Fcy)
- bit 0            **Unimplemented:** Read as '0'

**Note 1:** This register is available in dsPIC33FJ32(GP/MC)10X devices only.

# dsPIC33FJ16(GP/MC)101/102 AND dsPIC33FJ32(GP/MC)101/102/104

## REGISTER 12-4: T5CON CONTROL REGISTER<sup>(1)</sup>

|                    |     |                      |     |     |     |     |       |
|--------------------|-----|----------------------|-----|-----|-----|-----|-------|
| R/W-0              | U-0 | R/W-0                | U-0 | U-0 | U-0 | U-0 | U-0   |
| TON <sup>(3)</sup> | —   | TSIDL <sup>(2)</sup> | —   | —   | —   | —   | —     |
| bit 15             |     |                      |     |     |     |     | bit 8 |

|       |                      |                           |       |     |     |                    |       |
|-------|----------------------|---------------------------|-------|-----|-----|--------------------|-------|
| U-0   | R/W-0                | R/W-0                     | R/W-0 | U-0 | U-0 | R/W-0              | U-0   |
| —     | TGATE <sup>(3)</sup> | TCKPS<1:0> <sup>(3)</sup> |       | —   | —   | TCS <sup>(3)</sup> | —     |
| bit 7 |                      |                           |       |     |     |                    | bit 0 |

### Legend:

R = Readable bit                      W = Writable bit                      U = Unimplemented bit, read as '0'  
 -n = Value at POR                      '1' = Bit is set                      '0' = Bit is cleared                      x = Bit is unknown

- bit 15            **TON:** Timer5 On bit<sup>(3)</sup>  
                   1 = Starts 16-bit Timer3  
                   0 = Stops 16-bit Timer3
- bit 14            **Unimplemented:** Read as '0'
- bit 13            **TSIDL:** Timer5 Stop in Idle Mode bit<sup>(2)</sup>  
                   1 = Discontinues timer operation when device enters Idle mode  
                   0 = Continues timer operation in Idle mode
- bit 12-7        **Unimplemented:** Read as '0'
- bit 6            **TGATE:** Timer5 Gated Time Accumulation Enable bit<sup>(3)</sup>  
                   When TCS = 1:  
                   This bit is ignored.  
                   When TCS = 0:  
                   1 = Gated time accumulation is enabled  
                   0 = Gated time accumulation is disabled
- bit 5-4        **TCKPS<1:0>:** Timer5 Input Clock Prescale Select bits<sup>(3)</sup>  
                   11 = 1:256 prescale value  
                   10 = 1:64 prescale value  
                   01 = 1:8 prescale value  
                   00 = 1:1 prescale value
- bit 3-2        **Unimplemented:** Read as '0'
- bit 1            **TCS:** Timer5 Clock Source Select bit<sup>(3)</sup>  
                   1 = External clock from T5CK pin  
                   0 = Internal clock (FOSC/2)
- bit 0            **Unimplemented:** Read as '0'

- Note 1:** This register is available in dsPIC33FJ32(GP/MC)10X devices only.
- Note 2:** When 32-bit timer operation is enabled (T32 = 1) in the Timer4 Control register (T4CON<3>), the TSIDL bit must be cleared to operate the 32-bit timer in Idle mode.
- Note 3:** When the 32-bit timer operation is enabled (T32 = 1) in the Timer4 Control register (T4CON<3>), these bits have no effect.

NOTES:

### 13.0 INPUT CAPTURE

**Note 1:** This data sheet summarizes the features of the dsPIC33FJ16(GP/MC)101/102 and dsPIC33FJ32(GP/MC)101/102/104 family devices. It is not intended to be a comprehensive reference source. To complement the information in this data sheet, refer to **Section 12. “Input Capture”** (DS70198) in the “dsPIC33F/PIC24H Family Reference Manual”, which is available from the Microchip web site ([www.microchip.com](http://www.microchip.com)).

**2:** Some registers and associated bits described in this section may not be available on all devices. Refer to **Section 4.0 “Memory Organization”** in this data sheet for device-specific register and bit information.

The input capture module is useful in applications requiring frequency (period) and pulse measurement. The dsPIC33FJ16(GP/MC)101/102 and dsPIC33FJ32(GP/MC)101/102/104 devices support up to three input capture channels.

The input capture module captures the 16-bit value of the selected Time Base register when an event occurs at the ICx pin. The events that cause a capture event are listed below in three categories:

1. Simple Capture Event modes:
  - Capture timer value on every falling edge of input at ICx pin
  - Capture timer value on every rising edge of input at ICx pin
2. Capture timer value on every edge (rising and falling)
3. Prescaler Capture Event modes:
  - Capture timer value on every 4th rising edge of input at ICx pin
  - Capture timer value on every 16th rising edge of input at ICx pin

Each input capture channel can select one of two 16-bit timers (Timer2 or Timer3) for the time base. The selected timer can use either an internal or external clock.

Other operational features include:

- Device wake-up from capture pin during CPU Sleep and Idle modes
- Interrupt on input capture event
- 4-word FIFO buffer for capture values:
  - Interrupt optionally generated after 1, 2, 3 or 4 buffer locations are filled
- Use of input capture to provide additional sources of external interrupts

**FIGURE 13-1: INPUT CAPTURE BLOCK DIAGRAM**



## 13.1 Input Capture Register

**REGISTER 13-1: ICxCON: INPUT CAPTURE x CONTROL REGISTER**

|        |     |        |     |     |     |     |       |
|--------|-----|--------|-----|-----|-----|-----|-------|
| U-0    | U-0 | R/W-0  | U-0 | U-0 | U-0 | U-0 | U-0   |
| —      | —   | ICSIDL | —   | —   | —   | —   | —     |
| bit 15 |     |        |     |     |     |     | bit 8 |

|       |          |       |         |         |          |       |       |
|-------|----------|-------|---------|---------|----------|-------|-------|
| R/W-0 | R/W-0    | R/W-0 | R-0, HC | R-0, HC | R/W-0    | R/W-0 | R/W-0 |
| ICTMR | ICI<1:0> |       | ICOV    | ICBNE   | ICM<2:0> |       |       |
| bit 7 |          |       |         |         |          |       | bit 0 |

**Legend:**

R = Readable bit                      W = Writable bit                      U = Unimplemented bit, read as '0'  
 -n = Value at POR                      '1' = Bit is set                      '0' = Bit is cleared                      x = Bit is unknown

- bit 15-14      **Unimplemented:** Read as '0'
- bit 13      **ICSIDL:** Input Capture Stop in Idle Control bit
  - 1 = Input capture module will halt in CPU Idle mode
  - 0 = Input capture module will continue to operate in CPU Idle mode
- bit 12-8      **Unimplemented:** Read as '0'
- bit 7      **ICTMR:** Input Capture Timer Select bits
  - 1 = TMR2 contents are captured on capture event
  - 0 = TMR3 contents are captured on capture event
- bit 6-5      **ICI<1:0>:** Select Number of Captures per Interrupt bits
  - 11 = Interrupt on every fourth capture event
  - 10 = Interrupt on every third capture event
  - 01 = Interrupt on every second capture event
  - 00 = Interrupt on every capture event
- bit 4      **ICOV:** Input Capture Overflow Status Flag bit (read-only)
  - 1 = Input capture overflow occurred
  - 0 = No input capture overflow occurred
- bit 3      **ICBNE:** Input Capture Buffer Empty Status bit (read-only)
  - 1 = Input capture buffer is not empty, at least one more capture value can be read
  - 0 = Input capture buffer is empty
- bit 2-0      **ICM<2:0>:** Input Capture Mode Select bits
  - 111 = Input capture functions as interrupt pin only when device is in Sleep or Idle mode (Rising edge detect only, all other control bits are not applicable.)
  - 110 = Unused (module disabled)
  - 101 = Capture mode, every 16th rising edge
  - 100 = Capture mode, every 4th rising edge
  - 011 = Capture mode, every rising edge
  - 010 = Capture mode, every falling edge
  - 001 = Capture mode, every edge (rising and falling) (ICI<1:0> bits do not control interrupt generation for this mode.)
  - 000 = Input capture module turned off

## 14.0 OUTPUT COMPARE

**Note 1:** This data sheet summarizes the features of the dsPIC33FJ16(GP/MC)101/102 and dsPIC33FJ32(GP/MC)101/102/104 family devices. It is not intended to be a comprehensive reference source. To complement the information in this data sheet, refer to **Section 13. “Output Compare”** (DS70209) of the “dsPIC33F/PIC24H Family Reference Manual”, which is available from the Microchip web site ([www.microchip.com](http://www.microchip.com)).

**2:** Some registers and associated bits described in this section may not be available on all devices. Refer to **Section 4.0 “Memory Organization”** in this data sheet for device-specific register and bit information.

The output compare module can select either Timer2 or Timer3 for its time base. The module compares the value of the timer with the value of one or two compare registers depending on the operating mode selected. The state of the output pin changes when the timer value matches the Compare register value. The output compare module generates either a single output pulse, or a sequence of output pulses, by changing the state of the output pin on the compare match events. The output compare module can also generate interrupts on compare match events.

The output compare module has multiple operating modes:

- Active-Low One-Shot mode
- Active-High One-Shot mode
- Toggle mode
- Delayed One-Shot mode
- Continuous Pulse mode
- PWM mode without Fault protection
- PWM mode with Fault protection

**FIGURE 14-1: OUTPUT COMPARE MODULE BLOCK DIAGRAM**



## 14.1 Output Compare Modes

Configure the Output Compare modes by setting the appropriate Output Compare Mode (OCM<2:0>) bits in the Output Compare x Control (OCxCON<2:0>) register. Table 14-1 lists the different bit settings for the Output Compare modes. Figure 14-2 illustrates the output compare operation for various modes. The user

application must disable the associated timer when writing to the Output Compare Control registers to avoid malfunctions.

**Note:** See Section 13. “Output Compare” in the “dsPIC33F/PIC24H Family Reference Manual” (DS70209) for OCxR and OCxRS register restrictions.

**TABLE 14-1: OUTPUT COMPARE MODES**

| OCM<2:0> | Mode                              | OCx Pin Initial State                        | OCx Interrupt Generation         |
|----------|-----------------------------------|--|----------------------------------|
| 000      | Module Disabled                   | Controlled by GPIO register                  | —                                |
| 001      | Active-Low One-Shot               | 0  | OCx Rising Edge                  |
| 010      | Active-High One-Shot              | 1  | OCx Falling Edge                 |
| 011      | Toggle Mode                       | Current output is maintained                 | OCx Rising and Falling Edge      |
| 100      | Delayed One-Shot                  | 0  | OCx Falling Edge                 |
| 101      | Continuous Pulse                  | 0  | OCx Falling Edge                 |
| 110      | PWM Mode without Fault Protection | 0, if OCxR is zero<br>1, if OCxR is non-zero | No Interrupt                     |
| 111      | PWM Mode with Fault Protection    | 0, if OCxR is zero<br>1, if OCxR is non-zero | OCFA Falling Edge for OC1 to OC4 |

**FIGURE 14-2: OUTPUT COMPARE OPERATION**





## 14.2 Output Compare Control Register

**REGISTER 14-1: OCxCON: OUTPUT COMPARE x CONTROL REGISTER**

|        |     |        |     |     |     |     |       |
|--------|-----|--------|-----|-----|-----|-----|-------|
| U-0    | U-0 | R/W-0  | U-0 | U-0 | U-0 | U-0 | U-0   |
| —      | —   | OCSIDL | —   | —   | —   | —   | —     |
| bit 15 |     |        |     |     |     |     | bit 8 |

|       |     |     |         |        |          |       |       |
|-------|-----|-----|---------|--------|----------|-------|-------|
| U-0   | U-0 | U-0 | R-0, HC | R/W-0  | R/W-0    | R/W-0 | R/W-0 |
| —     | —   | —   | OCFLT   | OCTSEL | OCM<2:0> |       |       |
| bit 7 |     |     |         |        |          |       | bit 0 |

|                   |                                    |
|-------------------|------------------------------------|
| <b>Legend:</b>    | HC = Hardware Clearable bit        |
| R = Readable bit  | W = Writable bit                   |
| -n = Value at POR | '1' = Bit is set                   |
|                   | U = Unimplemented bit, read as '0' |
|                   | '0' = Bit is cleared               |
|                   | x = Bit is unknown                 |

- bit 15-14     **Unimplemented:** Read as '0'
- bit 13       **OCSIDL:** Stop Output Compare in Idle Mode Control bit
  - 1 = Output Compare x will halt in CPU Idle mode
  - 0 = Output Compare x will continue to operate in CPU Idle mode
- bit 12-5     **Unimplemented:** Read as '0'
- bit 4        **OCFLT:** PWM Fault Condition Status bit
  - 1 = PWM Fault condition has occurred (cleared in hardware only)
  - 0 = No PWM Fault condition has occurred
  - (This bit is only used when OCM<2:0> = 111.)
- bit 3        **OCTSEL:** Output Compare Timer Selection bit
  - 1 = Timer3 is the clock source for Output Compare x
  - 0 = Timer2 is the clock source for Output Compare x
- bit 2-0     **OCM<2:0>:** Output Compare Mode Select bits
  - 111 = PWM mode on OCx, Fault pin is enabled
  - 110 = PWM mode on OCx, Fault pin is disabled
  - 101 = Initializes OCx pin low, generates continuous output pulses on OCx pin
  - 100 = Initializes OCx pin low, generates single output pulse on OCx pin
  - 011 = Compare event toggles OCx pin
  - 010 = Initializes OCx pin high, compare event forces OCx pin low
  - 001 = Initializes OCx pin low, compare event forces OCx pin high
  - 000 = Output compare channel is disabled

# **dsPIC33FJ16(GP/MC)101/102 AND dsPIC33FJ32(GP/MC)101/102/104**

---

NOTES:

## 15.0 MOTOR CONTROL PWM MODULE

**Note 1:** This data sheet summarizes the features of the dsPIC33FJ16(GP/MC)101/102 and dsPIC33FJ32(GP/MC)101/102/104 family devices. It is not intended to be a comprehensive reference source. To complement the information in this data sheet, refer to **Section 14. “Motor Control PWM”** (DS70187), in the “*dsPIC33F/PIC24H Family Reference Manual*”, which is available on the Microchip web site ([www.microchip.com](http://www.microchip.com)).

**2:** Some registers and associated bits described in this section may not be available on all devices. Refer to **Section 4.0 “Memory Organization”** in this data sheet for device-specific register and bit information.

The dsPIC33FJ16MC10X devices have a 6-channel Pulse-Width Modulation (PWM) module.

The PWM module has the following features:

- Up to 16-bit resolution
- On-the-fly PWM frequency changes
- Edge-Aligned and Center-Aligned Output modes
- Single Pulse Generation mode
- Interrupt support for asymmetrical updates in Center-Aligned mode
- Output override control for Electrically Commutative Motor (ECM) operation or BLDC
- Special Event comparator for scheduling other peripheral events
- Fault pins to optionally drive each of the PWM output pins to a defined state
- Duty cycle updates configurable to be immediate or synchronized to the PWM time base

## 15.1 PWM1: 6-Channel PWM Module

This module simplifies the task of generating multiple synchronized PWM outputs. The following power and motion control applications are supported by the PWM module:

- 3-Phase AC Induction Motor
- Switched Reluctance (SR) Motor
- Brushless DC (BLDC) Motor
- Uninterruptible Power Supply (UPS)

This module contains three duty cycle generators, numbered 1 through 3. The module has six PWM output pins, numbered PWM1H1/PWM1L1 through PWM1H3/PWM1L3. The six I/O pins are grouped into high/low numbered pairs, denoted by the suffix H or L, respectively. For complementary loads, the low PWM pins are always the complement of the corresponding high I/O pin.

FIGURE 15-1: 6-CHANNEL PWM MODULE BLOCK DIAGRAM (PWM1)



## 15.2 PWM Faults

The Motor Control PWM module incorporates up to two Fault inputs, FLTA1 and FLTB1. These Fault inputs are implemented with Class B safety features. These features ensure that the PWM outputs enter a safe state when either of the Fault inputs is asserted.

The FLTA1 and FLTB1 pins, when enabled and having ownership of a pin, also enable a soft internal pull-down resistor. The soft pull-down provides a safety feature by automatically asserting the Fault should a break occur in the Fault signal connection.

The implementation of internal pull-down resistors is dependent on the device variant. Table 15-1 describes which devices and pins implement the internal pull-down resistors.

**TABLE 15-1: INTERNAL PULL-DOWN RESISTORS ON PWM FAULT PINS**

| Device           | Fault Pin | Internal Pull-Down Implemented? |
|------------------|-----------|---------------------------------|
| dsPIC33FJXXMC101 | FLTA1     | No                              |
| dsPIC33FJXXMC102 | FLTA1     | Yes                             |
|                  | FLTB1     | Yes                             |
| dsPIC33FJ32MC104 | FLTA1     | Yes                             |
|                  | FLTB1     | Yes                             |

On devices without internal pull-downs on the Fault pin, it is recommended to connect an external pull-down resistor for Class B safety features.

### 15.2.1 PWM FAULTS AT RESET

During any Reset event, the PWM module maintains ownership of both PWM Fault pins. At Reset, both Faults are enabled in latched mode to guarantee the fail-safe power-up of the application. The application software must clear both of the PWM Faults before enabling the Motor Control PWM module.

The Fault condition must be cleared by the external circuitry driving the Fault input pin high and clearing the Fault interrupt flag. After the Fault pin condition has been cleared, the PWM module restores the PWM output signals on the next PWM period or half-period boundary.

Refer to **Section 14. “Motor Control PWM”** (DS70187), in the “*dsPIC33F/PIC24H Family Reference Manual*” for more information on the PWM Faults.

**Note:** The number of PWM Faults mapped to the device pins depend on the specific variant. Regardless of the variant, both Faults will be enabled during any Reset event. The application must clear both FLTA1 and FLTB1 before enabling the Motor Control PWM module. Refer to the specific device pin diagrams to see which Fault pins are mapped to the device pins.

## 15.3 Write-Protected Registers

On dsPIC33FJ(16/32)MC10X devices, write protection is implemented for the PWMxCON1, PxFLTA1 and PxFLTB1 registers. The write protection feature prevents any inadvertent writes to these registers. The write protection feature can be controlled by the PWMLOCK Configuration bit in the FOSCSEL Configuration register. The default state of the write protection feature is enabled (PWMLOCK = 1). The write protection feature can be disabled by configuring PWMLOCK (FOSCSEL<6>) = 0.

The user application can gain access to these locked registers either by configuring the PWMLOCK bit (FOSCSEL<6>) = 0 or by performing the unlock sequence. To perform the unlock sequence, the user application must write two consecutive values (0xABCD and 0x4321) to the PWMxKEY register to perform the unlock operation. The write access to the PWMxCON1, PxFLTA1 or PxFLTB1 registers must be the next SFR access following the unlock process. There can be no other SFR accesses during the unlock process and subsequent write access.

To write to all registers, the PWMxCON1, PxFLTA1 and PxFLTB1 registers require three unlock operations.

The correct unlocking sequence is described in [Example 15-1](#) and [Example 15-2](#).

## EXAMPLE 15-1: ASSEMBLY CODE FOR WRITE-PROTECTED REGISTER UNLOCK AND FAULT CLEARING SEQUENCE

```
; FLTA1 pin must be pulled high externally in order to clear and disable the Fault
; Writing to P1FLTBCON register requires unlock sequence

mov #0xabcd,w10      ; Load first unlock key to w10 register
mov #0x4321,w11      ; Load second unlock key to w11 register
mov #0x0000,w0       ; Load desired value of P1FLTACON register in w0
mov w10, PWM1KEY     ; Write first unlock key to PWM1KEY register
mov w11, PWM1KEY     ; Write second unlock key to PWM1KEY register
mov w0,P1FLTACON     ; Write desired value to P1FLTACON register

; FLTB1 pin must be pulled high externally in order to clear and disable the Fault
; Writing to P1FLTBCON register requires unlock sequence

mov #0xabcd,w10      ; Load first unlock key to w10 register
mov #0x4321,w11      ; Load second unlock key to w11 register
mov #0x0000,w0       ; Load desired value of P1FLTBCON register in w0
mov w10, PWM1KEY     ; Write first unlock key to PWM1KEY register
mov w11, PWM1KEY     ; Write second unlock key to PWM1KEY register
mov w0,P1FLTBCON     ; Write desired value to P1FLTBCON register

; Enable all PWMs using PWM1CON1 register
; Writing to PWM1CON1 register requires unlock sequence

mov #0xabcd,w10      ; Load first unlock key to w10 register
mov #0x4321,w11      ; Load second unlock key to w11 register
mov #0x0077,w0       ; Load desired value of PWM1CON1 register in w0
mov w10, PWM1KEY     ; Write first unlock key to PWM1KEY register
mov w11, PWM1KEY     ; Write second unlock key to PWM1KEY register
mov w0,PWM1CON1     ; Write desired value to PWM1CON1 register
```

## EXAMPLE 15-2: C CODE FOR WRITE-PROTECTED REGISTER UNLOCK AND FAULT CLEARING SEQUENCE

```
// FLTA1 pin must be pulled high externally in order to clear and disable the Fault
// Writing to P1FLTACON register requires unlock sequence
// Use builtin function to write 0x0000 to P1FLTACON register
__builtin_write_PWMSFR(&P1FLTACON, 0x0000, &PWM1KEY);

// FLTB1 pin must be pulled high externally in order to clear and disable the Fault
// Writing to P1FLTBCON register requires unlock sequence
// Use builtin function to write 0x0000 to P1FLTBCON register
__builtin_write_PWMSFR(&P1FLTBCON, 0x0000, &PWM1KEY);

// Enable all PWMs using PWM1CON1 register
// Writing to PWM1CON1 register requires unlock sequence
// Use builtin function to write 0x0077 to PWM1CON1 register
__builtin_write_PWMSFR(&PWM1CON1, 0x0077, &PWM1KEY);
```

## 15.4 PWM Control Registers

**REGISTER 15-1: P<sub>x</sub>TCON: PWM<sub>x</sub> TIME BASE CONTROL REGISTER**

|        |     |        |     |     |     |     |       |
|--------|-----|--------|-----|-----|-----|-----|-------|
| R/W-0  | U-0 | R/W-0  | U-0 | U-0 | U-0 | U-0 | U-0   |
| PTEN   | —   | PTSIDL | —   | —   | —   | —   | —     |
| bit 15 |     |        |     |     |     |     | bit 8 |

|            |       |       |       |             |       |            |       |
|------------|-------|-------|-------|-------------|-------|------------|-------|
| R/W-0      | R/W-0 | R/W-0 | R/W-0 | R/W-0       | R/W-0 | R/W-0      | R/W-0 |
| PTOPS<3:0> |       |       |       | PTCKPS<1:0> |       | PTMOD<1:0> |       |
| bit 7      |       |       |       |             |       |            | bit 0 |

**Legend:**

|                   |                  |                                    |
|-------------------|------------------|------------------------------------|
| R = Readable bit  | W = Writable bit | U = Unimplemented bit, read as '0' |
| -n = Value at POR | '1' = Bit is set | '0' = Bit is cleared               |
|                   |                  | x = Bit is unknown                 |

- bit 15      **PTEN:** PWM Time Base Timer Enable bit  
             1 = PWM time base is on  
             0 = PWM time base is off
  
- bit 14      **Unimplemented:** Read as '0'
- bit 13      **PTSIDL:** PWM Time Base Stop in Idle Mode bit  
             1 = PWM time base halts in CPU Idle mode  
             0 = PWM time base runs in CPU Idle mode
  
- bit 12-8    **Unimplemented:** Read as '0'
- bit 7-4     **PTOPS<3:0>:** PWM Time Base Output Postscale Select bits  
             1111 = 1:16 postscale  
             •  
             •  
             •  
             0001 = 1:2 postscale  
             0000 = 1:1 postscale
  
- bit 3-2     **PTCKPS<1:0>:** PWM Time Base Input Clock Prescale Select bits  
             11 = PWM time base input clock period is 64 T<sub>CY</sub> (1:64 prescale)  
             10 = PWM time base input clock period is 16 T<sub>CY</sub> (1:16 prescale)  
             01 = PWM time base input clock period is 4 T<sub>CY</sub> (1:4 prescale)  
             00 = PWM time base input clock period is T<sub>CY</sub> (1:1 prescale)
  
- bit 1-0     **PTMOD<1:0>:** PWM Time Base Mode Select bits  
             11 = PWM time base operates in a Continuous Up/Down Count mode with interrupts for double PWM updates  
             10 = PWM time base operates in a Continuous Up/Down Count mode  
             01 = PWM time base operates in Single Pulse mode  
             00 = PWM time base operates in a Free-Running mode





## REGISTER 15-4: PxSECMP: PWMx SPECIAL EVENT COMPARE REGISTER

|                        |                              |       |       |       |       |       |       |       |
|------------------------|------------------------------|-------|-------|-------|-------|-------|-------|-------|
| R/W-0                  | R/W-0                        | R/W-0 | R/W-0 | R/W-0 | R/W-0 | R/W-0 | R/W-0 |       |
| SEVTDIR <sup>(1)</sup> | SEVTCMP<14:8> <sup>(2)</sup> |       |       |       |       |       |       |       |
| bit 15                 |                              |       |       |       |       |       |       | bit 8 |

|                             |       |       |       |       |       |       |       |
|-----------------------------|-------|-------|-------|-------|-------|-------|-------|
| R/W-0                       | R/W-0 | R/W-0 | R/W-0 | R/W-0 | R/W-0 | R/W-0 | R/W-0 |
| SEVTCMP<7:0> <sup>(2)</sup> |       |       |       |       |       |       |       |
| bit 7                       |       |       |       |       |       |       | bit 0 |

|                   |                  |                                    |                    |
|-------------------|------------------|------------------------------------|--------------------|
| <b>Legend:</b>    |                  |                                    |                    |
| R = Readable bit  | W = Writable bit | U = Unimplemented bit, read as '0' |                    |
| -n = Value at POR | '1' = Bit is set | '0' = Bit is cleared               | x = Bit is unknown |

- bit 15      **SEVTDIR:** Special Event Trigger Time Base Direction bit<sup>(1)</sup>  
                  1 = A Special Event Trigger will occur when the PWM time base is counting down  
                  0 = A Special Event Trigger will occur when the PWM time base is counting up
- bit 14-0    **SEVTCMP<14:0>:** Special Event Compare Value bits<sup>(2)</sup>

- Note 1:** SEVTDIR is compared with PTDIR (PxTMR<15>) to generate the Special Event Trigger.  
**Note 2:** PxSECMP<14:0> is compared with PxTMR<14:0> to generate the Special Event Trigger.

# dsPIC33FJ16(GP/MC)101/102 AND dsPIC33FJ32(GP/MC)101/102/104

## REGISTER 15-5: PWMxCON1: PWMx CONTROL REGISTER 1<sup>(1)</sup>

|        |     |     |     |     |       |       |       |
|--------|-----|-----|-----|-----|-------|-------|-------|
| U-0    | U-0 | U-0 | U-0 | U-0 | R/W-0 | R/W-0 | R/W-0 |
| —      | —   | —   | —   | —   | PMOD3 | PMOD2 | PMOD1 |
| bit 15 |     |     |     |     | bit 8 |       |       |

|       |                      |                      |                      |     |                      |                      |                      |
|-------|----------------------|----------------------|----------------------|-----|----------------------|----------------------|----------------------|
| U-0   | R/W-0                | R/W-0                | R/W-0                | U-0 | R/W-0                | R/W-0                | R/W-0                |
| —     | PEN3H <sup>(2)</sup> | PEN2H <sup>(2)</sup> | PEN1H <sup>(2)</sup> | —   | PEN3L <sup>(2)</sup> | PEN2L <sup>(2)</sup> | PEN1L <sup>(2)</sup> |
| bit 7 |                      |                      |                      |     | bit 0                |                      |                      |

### Legend:

R = Readable bit

W = Writable bit

U = Unimplemented bit, read as '0'

-n = Value at POR

'1' = Bit is set

'0' = Bit is cleared

x = Bit is unknown

bit 15-11 **Unimplemented:** Read as '0'

bit 10-8 **PMOD<3:1>:** PWM I/O Pair Mode bits

1 = PWM I/O pin pair is in the Independent PWM Output mode

0 = PWM I/O pin pair is in the Complementary Output mode

bit 7 **Unimplemented:** Read as '0'

bit 6-4 **PEN3H: PEN1H:** PWMxH I/O Enable bits<sup>(2)</sup>

1 = PWMxH pin is enabled for PWM output

0 = PWMxH pin is disabled, I/O pin becomes a general purpose I/O

bit 3 **Unimplemented:** Read as '0'

bit 2-0 **PEN3L: PEN1L:** PWMxL I/O Enable bits<sup>(2)</sup>

1 = PWMxL pin is enabled for PWM output

0 = PWMxL pin is disabled, I/O pin becomes a general purpose I/O

**Note 1:** The PWMxCON1 register is a write-protected register. Refer to [Section 15.3 “Write-Protected Registers”](#) for more information on the unlock sequence.

**2:** The Reset status for this bit depends on the setting of the PWMPIN Configuration bit (FPOR<7>):

- If PWMPIN = 1 (default), the PWM pins are controlled by the PORT register at Reset, meaning they are initially programmed as inputs (i.e., tri-stated).
- If PWMPIN = 0, the PWM pins are controlled by the PWM module at Reset and are therefore, initially programmed as output pins.

# dsPIC33FJ16(GP/MC)101/102 AND dsPIC33FJ32(GP/MC)101/102/104

## REGISTER 15-6: PWMxCON2: PWMx CONTROL REGISTER 2

|        |     |     |     |             |       |       |       |
|--------|-----|-----|-----|-------------|-------|-------|-------|
| U-0    | U-0 | U-0 | U-0 | R/W-0       | R/W-0 | R/W-0 | R/W-0 |
| —      | —   | —   | —   | SEVOPS<3:0> |       |       |       |
| bit 15 |     |     |     | bit 8       |       |       |       |

|       |     |     |     |       |       |       |       |
|-------|-----|-----|-----|-------|-------|-------|-------|
| U-0   | U-0 | U-0 | U-0 | U-0   | R/W-0 | R/W-0 | R/W-0 |
| —     | —   | —   | —   | —     | IUE   | OSYNC | UDIS  |
| bit 7 |     |     |     | bit 0 |       |       |       |

### Legend:

R = Readable bit

W = Writable bit

U = Unimplemented bit, read as '0'

-n = Value at POR

'1' = Bit is set

'0' = Bit is cleared

x = Bit is unknown

bit 15-12 **Unimplemented:** Read as '0'

bit 11-8 **SEVOPS<3:0>:** PWM Special Event Trigger Output Postscale Select bits

1111 = 1:16 postscale

•

•

•

0001 = 1:2 postscale

0000 = 1:1 postscale

bit 7-3 **Unimplemented:** Read as '0'

bit 2 **IUE:** Immediate Update Enable bit

1 = Updates to the active PxDC registers are immediate

0 = Updates to the active PxDC registers are synchronized to the PWM time base

bit 1 **OSYNC:** Output Override Synchronization bit

1 = Output overrides via the PxOVDCON register are synchronized to the PWM time base

0 = Output overrides via the PxOVDCON register occur on the next Tcy boundary

bit 0 **UDIS:** PWM Update Disable bit

1 = Updates from Duty Cycle and Period Buffer registers are disabled

0 = Updates from Duty Cycle and Period Buffer registers are enabled

# dsPIC33FJ16(GP/MC)101/102 AND dsPIC33FJ32(GP/MC)101/102/104

## REGISTER 15-7: PxDTCON1: PWMx DEAD-TIME CONTROL REGISTER 1

|            |       |          |       |       |       |       |       |
|------------|-------|----------|-------|-------|-------|-------|-------|
| R/W-0      | R/W-0 | R/W-0    | R/W-0 | R/W-0 | R/W-0 | R/W-0 | R/W-0 |
| DTBPS<1:0> |       | DTB<5:0> |       |       |       |       |       |
| bit 15     |       | bit 8    |       |       |       |       |       |

|            |       |          |       |       |       |       |       |
|------------|-------|----------|-------|-------|-------|-------|-------|
| R/W-0      | R/W-0 | R/W-0    | R/W-0 | R/W-0 | R/W-0 | R/W-0 | R/W-0 |
| DTAPS<1:0> |       | DTA<5:0> |       |       |       |       |       |
| bit 7      |       | bit 0    |       |       |       |       |       |

### Legend:

R = Readable bit

W = Writable bit

U = Unimplemented bit, read as '0'

-n = Value at POR

'1' = Bit is set

'0' = Bit is cleared

x = Bit is unknown

bit 15-14 **DTBPS<1:0>**: Dead-Time Unit B Prescale Select bits

11 = Clock period for Dead-Time Unit B is 8 TCY

10 = Clock period for Dead-Time Unit B is 4 TCY

01 = Clock period for Dead-Time Unit B is 2 TCY

00 = Clock period for Dead-Time Unit B is TCY

bit 13-8 **DTB<5:0>**: Unsigned 6-Bit Dead-Time Value for Dead-Time Unit B bits

bit 7-6 **DTAPS<1:0>**: Dead-Time Unit A Prescale Select bits

11 = Clock period for Dead-Time Unit A is 8 TCY

10 = Clock period for Dead-Time Unit A is 4 TCY

01 = Clock period for Dead-Time Unit A is 2 TCY

00 = Clock period for Dead-Time Unit A is TCY

bit 5-0 **DTA<5:0>**: Unsigned 6-Bit Dead-Time Value for Dead-Time Unit A bits

# dsPIC33FJ16(GP/MC)101/102 AND dsPIC33FJ32(GP/MC)101/102/104

**REGISTER 15-8: PxDTCON2: PWMx DEAD-TIME CONTROL REGISTER 2**

|        |     |     |     |     |     |     |       |
|--------|-----|-----|-----|-----|-----|-----|-------|
| U-0    | U-0 | U-0 | U-0 | U-0 | U-0 | U-0 | U-0   |
| —      | —   | —   | —   | —   | —   | —   | —     |
| bit 15 |     |     |     |     |     |     | bit 8 |

|       |     |       |       |       |       |       |       |
|-------|-----|-------|-------|-------|-------|-------|-------|
| U-0   | U-0 | R/W-0 | R/W-0 | R/W-0 | R/W-0 | R/W-0 | R/W-0 |
| —     | —   | DTS3A | DTS3I | DTS2A | DTS2I | DTS1A | DTS1I |
| bit 7 |     |       |       |       |       |       | bit 0 |

**Legend:**

|                   |                  |  |
|-------------------|------------------|--|
| R = Readable bit  | W = Writable bit | U = Unimplemented bit, read as '0'           |
| -n = Value at POR | '1' = Bit is set | '0' = Bit is cleared      x = Bit is unknown |

- bit 15-6      **Unimplemented:** Read as '0'
- bit 5      **DTS3A:** Dead-Time Select for PWM3 Signal Going Active bit  
             1 = Dead time provided from Unit B  
             0 = Dead time provided from Unit A
- bit 4      **DTS3I:** Dead-Time Select for PWM3 Signal Going Inactive bit  
             1 = Dead time provided from Unit B  
             0 = Dead time provided from Unit A
- bit 3      **DTS2A:** Dead-Time Select for PWM2 Signal Going Active bit  
             1 = Dead time provided from Unit B  
             0 = Dead time provided from Unit A
- bit 2      **DTS2I:** Dead-Time Select for PWM2 Signal Going Inactive bit  
             1 = Dead time provided from Unit B  
             0 = Dead time provided from Unit A
- bit 1      **DTS1A:** Dead-Time Select for PWM1 Signal Going Active bit  
             1 = Dead time provided from Unit B  
             0 = Dead time provided from Unit A
- bit 0      **DTS1I:** Dead-Time Select for PWM1 Signal Going Inactive bit  
             1 = Dead time provided from Unit B  
             0 = Dead time provided from Unit A

# dsPIC33FJ16(GP/MC)101/102 AND dsPIC33FJ32(GP/MC)101/102/104

## REGISTER 15-9: P<sub>x</sub>FLTACON: PWM<sub>x</sub> FAULT A CONTROL REGISTER<sup>(1,2,3,4)</sup>

|        |     |        |        |        |        |        |        |
|--------|-----|--------|--------|--------|--------|--------|--------|
| U-0    | U-0 | R/W-0  | R/W-0  | R/W-0  | R/W-0  | R/W-0  | R/W-0  |
| —      | —   | FAOV3H | FAOV3L | FAOV2H | FAOV2L | FAOV1H | FAOV1L |
| bit 15 |     |        |        |        |        | bit 8  |        |

|       |     |     |     |     |       |       |       |
|-------|-----|-----|-----|-----|-------|-------|-------|
| R/W-0 | U-0 | U-0 | U-0 | U-0 | R/W-1 | R/W-1 | R/W-1 |
| FLTAM | —   | —   | —   | —   | FAEN3 | FAEN2 | FAEN1 |
| bit 7 |     |     |     |     |       | bit 0 |       |

### Legend:

R = Readable bit

W = Writable bit

U = Unimplemented bit, read as '0'

-n = Value at POR

'1' = Bit is set

'0' = Bit is cleared

x = Bit is unknown

bit 15-14 **Unimplemented:** Read as '0'

bit 13-8 **FAOV<sub>x</sub>H<3:1>:FAOV<sub>x</sub>L<3:1>**: Fault Input A PWM Override Value bits  
 1 = The PWM output pin is driven active on an external Fault input event  
 0 = The PWM output pin is driven inactive on an external Fault input event

bit 7 **FLTAM**: Fault A Mode bit  
 1 = The Fault A input pin functions in the Cycle-by-Cycle mode  
 0 = The Fault A input pin latches all control pins to the programmed states in P<sub>x</sub>FLTACON<13:8>

bit 6-3 **Unimplemented:** Read as '0'

bit 2 **FAEN3**: Fault Input A Enable bit  
 1 = PWM<sub>x</sub>H3/PWM<sub>x</sub>L3 pin pair is controlled by Fault Input A  
 0 = PWM<sub>x</sub>H3/PWM<sub>x</sub>L3 pin pair is not controlled by Fault Input A

bit 1 **FAEN2**: Fault Input A Enable bit  
 1 = PWM<sub>x</sub>H2/PWM<sub>x</sub>L2 pin pair is controlled by Fault Input A  
 0 = PWM<sub>x</sub>H2/PWM<sub>x</sub>L2 pin pair is not controlled by Fault Input A

bit 0 **FAEN1**: Fault Input A Enable bit  
 1 = PWM<sub>x</sub>H1/PWM<sub>x</sub>L1 pin pair is controlled by Fault Input A  
 0 = PWM<sub>x</sub>H1/PWM<sub>x</sub>L1 pin pair is not controlled by Fault Input A

**Note 1:** Comparator outputs are not internally connected to the PWM Fault control logic. If using the comparator modules for Fault generation, the user must externally connect the desired comparator output pin to the dedicated  $\overline{FLTA1}$  or  $\overline{FLTB1}$  input pin.

**2:** Refer to [Table 15-1](#) for  $\overline{FLTA1}$  implementation details.

**3:** The P<sub>x</sub>FLTACON register is a write-protected register. Refer to [Section 15.3 "Write-Protected Registers"](#) for more information on the unlock sequence.

**4:** During any Reset event,  $\overline{FLTA1}$  is enabled by default and must be cleared as described in [Section 15.2 "PWM Faults"](#).

# dsPIC33FJ16(GP/MC)101/102 AND dsPIC33FJ32(GP/MC)101/102/104

## REGISTER 15-10: PxFLTBCON: PWMx FAULT B CONTROL REGISTER<sup>(1,2,3,4)</sup>

|        |     |        |        |        |        |        |        |
|--------|-----|--------|--------|--------|--------|--------|--------|
| U-0    | U-0 | R/W-0  | R/W-0  | R/W-0  | R/W-0  | R/W-0  | R/W-0  |
| —      | —   | FBOV3H | FBOV3L | FBOV2H | FBOV2L | FBOV1H | FBOV1L |
| bit 15 |     |        |        |        |        |        | bit 8  |

|       |     |     |     |     |       |       |       |
|-------|-----|-----|-----|-----|-------|-------|-------|
| R/W-0 | U-0 | U-0 | U-0 | U-0 | R/W-1 | R/W-1 | R/W-1 |
| FLTBM | —   | —   | —   | —   | FBEN3 | FBEN2 | FBEN1 |
| bit 7 |     |     |     |     |       |       | bit 0 |

### Legend:

R = Readable bit                      W = Writable bit                      U = Unimplemented bit, read as '0'  
-n = Value at POR                      '1' = Bit is set                      '0' = Bit is cleared                      x = Bit is unknown

- bit 15-14        **Unimplemented:** Read as '0'
- bit 13-8        **FBOVxH<3:1>:FBOVxL<3:1>**: Fault Input B PWM Override Value bits
  - 1 = The PWM output pin is driven active on an external Fault input event
  - 0 = The PWM output pin is driven inactive on an external Fault input event
- bit 7            **FLTBM:** Fault B Mode bit
  - 1 = The Fault B input pin functions in the Cycle-by-Cycle mode
  - 0 = The Fault B input pin latches all control pins to the programmed states in PxFLTBCON<13:8>
- bit 6-3        **Unimplemented:** Read as '0'
- bit 2            **FBEN3:** Fault Input B Enable bit
  - 1 = PWMxH3/PWMxL3 pin pair is controlled by Fault Input B
  - 0 = PWMxH3/PWMxL3 pin pair is not controlled by Fault Input B
- bit 1            **FBEN2:** Fault Input B Enable bit
  - 1 = PWMxH2/PWMxL2 pin pair is controlled by Fault Input B
  - 0 = PWMxH2/PWMxL2 pin pair is not controlled by Fault Input B
- bit 0            **FBEN1:** Fault Input B Enable bit
  - 1 = PWMxH1/PWMxL1 pin pair is controlled by Fault Input B
  - 0 = PWMxH1/PWMxL1 pin pair is not controlled by Fault Input B

- Note 1:** Comparator outputs are not internally connected to the PWM Fault control logic. If using the Comparator modules for Fault generation, the user must externally connect the desired comparator output pin to the dedicated  $\overline{\text{FLTA1}}$  or  $\overline{\text{FLTB1}}$  input pin.
- 2:** Refer to [Table 15-1](#) for  $\overline{\text{FLTB1}}$  implementation details.
- 3:** The PxFLTACON register is a write-protected register. Refer to [Section 15.3 “Write-Protected Registers”](#) for more information on the unlock sequence.
- 4:** During any Reset event,  $\overline{\text{FLTB1}}$  is enabled by default and must be cleared as described in [Section 15.2 “PWM Faults”](#).

# dsPIC33FJ16(GP/MC)101/102 AND dsPIC33FJ32(GP/MC)101/102/104

## REGISTER 15-11: PxOVDCON: PWMx OVERRIDE CONTROL REGISTER

|        |     |        |        |        |        |        |        |
|--------|-----|--------|--------|--------|--------|--------|--------|
| U-0    | U-0 | R/W-1  | R/W-1  | R/W-1  | R/W-1  | R/W-1  | R/W-1  |
| —      | —   | POVD3H | POVD3L | POVD2H | POVD2L | POVD1H | POVD1L |
| bit 15 |     |        |        |        |        |        | bit 8  |

|       |     |        |        |        |        |        |        |
|-------|-----|--------|--------|--------|--------|--------|--------|
| U-0   | U-0 | R/W-0  | R/W-0  | R/W-0  | R/W-0  | R/W-0  | R/W-0  |
| —     | —   | POUT3H | POUT3L | POUT2H | POUT2L | POUT1H | POUT1L |
| bit 7 |     |        |        |        |        |        | bit 0  |

### Legend:

R = Readable bit

W = Writable bit

U = Unimplemented bit, read as '0'

-n = Value at POR

'1' = Bit is set

'0' = Bit is cleared

x = Bit is unknown

bit 15-14 **Unimplemented:** Read as '0'

bit 13-8 **POVDxH<3:1>:POVDxL<3:1>:** PWM Output Override bits

1 = Output on PWMx I/O pin is controlled by the PWM generator

0 = Output on PWMx I/O pin is controlled by the value in the corresponding POUTxH:POUTxL bits

bit 7-6 **Unimplemented:** Read as '0'

bit 5-0 **POUTxH<3:1>:POUTxL<3:1>:** PWM Manual Output bits

1 = PWMx I/O pin is driven active when the corresponding POVDxH:POVDxL bits are cleared

0 = PWMx I/O pin is driven inactive when the corresponding POVDxH:POVDxL bits are cleared



# dsPIC33FJ16(GP/MC)101/102 AND dsPIC33FJ32(GP/MC)101/102/104

## REGISTER 15-12: PxDC1: PWMx DUTY CYCLE REGISTER 1

|            |       |       |       |       |       |       |       |
|------------|-------|-------|-------|-------|-------|-------|-------|
| R/W-0      | R/W-0 | R/W-0 | R/W-0 | R/W-0 | R/W-0 | R/W-0 | R/W-0 |
| PDC1<15:8> |       |       |       |       |       |       |       |
| bit 15     |       |       |       | bit 8 |       |       |       |

|           |       |       |       |       |       |       |       |
|-----------|-------|-------|-------|-------|-------|-------|-------|
| R/W-0     | R/W-0 | R/W-0 | R/W-0 | R/W-0 | R/W-0 | R/W-0 | R/W-0 |
| PDC1<7:0> |       |       |       |       |       |       |       |
| bit 7     |       |       |       | bit 0 |       |       |       |

|                   |  |                  |  |                                    |  |                    |  |
|-------------------|--|------------------|--|------------------------------------|--|--------------------|--|
| <b>Legend:</b>    |  |                  |  |                                    |  |                    |  |
| R = Readable bit  |  | W = Writable bit |  | U = Unimplemented bit, read as '0' |  |                    |  |
| -n = Value at POR |  | '1' = Bit is set |  | '0' = Bit is cleared               |  | x = Bit is unknown |  |

bit 15-0      **PDC1<15:0>**: PWM Duty Cycle 1 Value bits

## REGISTER 15-13: PxDC2: PWMx DUTY CYCLE REGISTER 2

|            |       |       |       |       |       |       |       |
|------------|-------|-------|-------|-------|-------|-------|-------|
| R/W-0      | R/W-0 | R/W-0 | R/W-0 | R/W-0 | R/W-0 | R/W-0 | R/W-0 |
| PDC2<15:8> |       |       |       |       |       |       |       |
| bit 15     |       |       |       | bit 8 |       |       |       |

|           |       |       |       |       |       |       |       |
|-----------|-------|-------|-------|-------|-------|-------|-------|
| R/W-0     | R/W-0 | R/W-0 | R/W-0 | R/W-0 | R/W-0 | R/W-0 | R/W-0 |
| PDC2<7:0> |       |       |       |       |       |       |       |
| bit 7     |       |       |       | bit 0 |       |       |       |

|                   |  |                  |  |                                    |  |                    |  |
|-------------------|--|------------------|--|------------------------------------|--|--------------------|--|
| <b>Legend:</b>    |  |                  |  |                                    |  |                    |  |
| R = Readable bit  |  | W = Writable bit |  | U = Unimplemented bit, read as '0' |  |                    |  |
| -n = Value at POR |  | '1' = Bit is set |  | '0' = Bit is cleared               |  | x = Bit is unknown |  |

bit 15-0      **PDC2<15:0>**: PWM Duty Cycle 2 Value bits

## REGISTER 15-14: PxDC3: PWMx DUTY CYCLE REGISTER 3

|            |       |       |       |       |       |       |       |
|------------|-------|-------|-------|-------|-------|-------|-------|
| R/W-0      | R/W-0 | R/W-0 | R/W-0 | R/W-0 | R/W-0 | R/W-0 | R/W-0 |
| PDC3<15:8> |       |       |       |       |       |       |       |
| bit 15     |       |       |       | bit 8 |       |       |       |

|           |       |       |       |       |       |       |       |
|-----------|-------|-------|-------|-------|-------|-------|-------|
| R/W-0     | R/W-0 | R/W-0 | R/W-0 | R/W-0 | R/W-0 | R/W-0 | R/W-0 |
| PDC3<7:0> |       |       |       |       |       |       |       |
| bit 7     |       |       |       | bit 0 |       |       |       |

|                   |  |                  |  |                                    |  |                    |  |
|-------------------|--|------------------|--|------------------------------------|--|--------------------|--|
| <b>Legend:</b>    |  |                  |  |                                    |  |                    |  |
| R = Readable bit  |  | W = Writable bit |  | U = Unimplemented bit, read as '0' |  |                    |  |
| -n = Value at POR |  | '1' = Bit is set |  | '0' = Bit is cleared               |  | x = Bit is unknown |  |

bit 15-0      **PDC3<15:0>**: PWM Duty Cycle 3 Value bits

# dsPIC33FJ16(GP/MC)101/102 AND dsPIC33FJ32(GP/MC)101/102/104

## REGISTER 15-15: PWMxKEY: PWMx UNLOCK REGISTER

|              |       |       |       |       |       |       |       |
|--------------|-------|-------|-------|-------|-------|-------|-------|
| R/W-0        | R/W-0 | R/W-0 | R/W-0 | R/W-0 | R/W-0 | R/W-0 | R/W-0 |
| PWMKEY<15:8> |       |       |       |       |       |       |       |
| bit 15       |       |       |       | bit 8 |       |       |       |

|             |       |       |       |       |       |       |       |
|-------------|-------|-------|-------|-------|-------|-------|-------|
| R/W-0       | R/W-0 | R/W-0 | R/W-0 | R/W-0 | R/W-0 | R/W-0 | R/W-0 |
| PWMKEY<7:0> |       |       |       |       |       |       |       |
| bit 7       |       |       |       | bit 0 |       |       |       |

### Legend:

R = Readable bit

W = Writable bit

U = Unimplemented, read as '0'

-n = Value at POR

'1' = Bit is set

'0' = Bit is cleared

x = Bit is unknown

bit 15-0 **PWMKEY<15:0>**: PWMx Unlock bits

If the PWMLOCK Configuration bit is asserted (PWMLOCK = 1), the PWMxCON1, PxFLTACON and PxFLTBCON registers are writable only after the proper sequence is written to the PWMxKEY register. If the PWMLOCK Configuration bit is deasserted (PWMLOCK = 0), the PWMxCON1, PxFLTACON and PxFLTBCON registers are writable at all times. Refer to **Section 14. "Motor Control PWM"** (DS70187) in the "*dsPIC33F/PIC24H Family Reference Manual*" for details on the unlock sequence.

## 16.0 SERIAL PERIPHERAL INTERFACE (SPI)

**Note 1:** This data sheet summarizes the features of the dsPIC33FJ16(GP/MC)101/102 and dsPIC33FJ32(GP/MC)101/102/104 family devices. It is not intended to be a comprehensive reference source. To complement the information in this data sheet, refer to **Section 18. “Serial Peripheral Interface (SPI)”** (DS70206) in the “dsPIC33F/PIC24H Family Reference Manual”, which is available from the Microchip web site ([www.microchip.com](http://www.microchip.com)).

**2:** Some registers and associated bits described in this section may not be available on all devices. Refer to **Section 4.0 “Memory Organization”** in this data sheet for device-specific register and bit information.

The Serial Peripheral Interface (SPI) module is a synchronous serial interface useful for communicating with other peripheral or microcontroller devices. These peripheral devices can be serial EEPROMs, shift registers, display drivers, Analog-to-Digital Converters, etc. The SPI module is compatible with SPI and SIO from Motorola®.

Each SPI module consists of a 16-bit shift register, SPIxSR (where x = 1 or 2), used for shifting data in and out, and a buffer register, SPIxBUF. A control register, SPIxCON, configures the module. Additionally, a status register, SPIxSTAT, indicates status conditions.

The serial interface consists of four pins:

- SDIx (serial data input)
- SDOx (serial data output)
- SCKx (shift clock input or output)
- SSx (active-low slave select).

In Master mode operation, SCKx is a clock output. In Slave mode, it is a clock input.

**FIGURE 16-1: SPIx MODULE BLOCK DIAGRAM**



## 16.1 SPI Helpful Tips

1. In Frame mode, if there is a possibility that the master may not be initialized before the slave:
  - a) If FRMPOL (SPIxCON2<13>) = 1, use a pull-down resistor on  $\overline{SSx}$ .
  - b) If FRMPOL = 0, use a pull-up resistor on  $\overline{SSx}$ .

**Note:** This insures that the first frame transmission after initialization is not shifted or corrupted.

2. In Non-Framed 3-Wire mode, (i.e., not using  $\overline{SSx}$  from a master):
  - a) If CKP (SPIxCON1<6>) = 1, always place a pull-up resistor on  $\overline{SSx}$ .
  - b) If CKP = 0, always place a pull-down resistor on  $\overline{SSx}$ .

**Note:** This will insure that during power-up and initialization, the master/slave will not lose sync due to an errant SCK transition that would cause the slave to accumulate data shift errors for both transmit and receive, appearing as corrupted data.

3. FRMEN (SPIxCON2<15>) = 1 and SSEN (SPIxCON1<7>) = 1 are exclusive and invalid. In Frame mode, SCKx is continuous and the Frame Sync pulse is active on the  $\overline{SSx}$  pin, which indicates the start of a data frame.

**Note:** Not all third-party devices support Frame mode timing. Refer to the SPI electrical characteristics for details.

4. In Master mode only, set the SMP bit (SPIxCON1<9>) to a '1' for the fastest SPI data rate possible. The SMP bit can only be set at the same time or after the MSTEN bit (SPIxCON1<5>) is set.
5. To avoid invalid slave read data to the master, the user's master software must ensure enough time for slave software to fill its write buffer before the user application initiates a master write/read cycle. It is always advisable to preload the SPIxBUF Transmit register in advance of the next master transaction cycle. SPIxBUF is transferred to the SPIx Shift register and is empty once the data transmission begins.
6. The SPI related pins (SDI1, SDO1, SCK1) are located at fixed positions in the dsPIC33FJ16(GP/MC)10X devices. The same pins are remappable in the dsPIC33FJ32(GP/MC)10X devices.

## 16.2 SPI Resources

Many useful resources are provided on the main product page of the Microchip web site for the devices listed in this data sheet. This product page, which can be accessed using this [link](#), contains the latest updates and additional information.

**Note:** In the event you are not able to access the product page using the link above, enter this URL in your browser:  
<http://www.microchip.com/wwwproducts/Devices.aspx?dDocName=en554109>

### 16.2.1 KEY RESOURCES

- **Section 18. "Serial Peripheral Interface (SPI)"** (DS70206) in the "*dsPIC33F/PIC24H Family Reference Manual*".
- Code Samples
- Application Notes
- Software Libraries
- Webinars
- All related "*dsPIC33F/PIC24H Family Reference Manual*" sections
- Development Tools

## 16.3 SPI Control Registers

**REGISTER 16-1: SPIxSTAT: SPIx STATUS AND CONTROL REGISTER**

|        |     |         |     |     |     |     |       |
|--------|-----|---------|-----|-----|-----|-----|-------|
| R/W-0  | U-0 | R/W-0   | U-0 | U-0 | U-0 | U-0 | U-0   |
| SPIEN  | —   | SPISIDL | —   | —   | —   | —   | —     |
| bit 15 |     |         |     |     |     |     | bit 8 |

|       |        |     |     |     |     |        |        |
|-------|--------|-----|-----|-----|-----|--------|--------|
| U-0   | R/C-0  | U-0 | U-0 | U-0 | U-0 | R-0    | R-0    |
| —     | SPIROV | —   | —   | —   | —   | SPITBF | SPIRBF |
| bit 7 |        |     |     |     |     |        | bit 0  |

|                   |                   |                                    |
|-------------------|-------------------|------------------------------------|
| <b>Legend:</b>    | C = Clearable bit | U = Unimplemented bit, read as '0' |
| R = Readable bit  | W = Writable bit  | '0' = Bit is cleared               |
| -n = Value at POR | '1' = Bit is set  | x = Bit is unknown                 |

- bit 15      **SPIEN:** SPIx Enable bit  
 1 = Enables module and configures SCKx, SDOx, SDIx and  $\overline{SSx}$  as serial port pins  
 0 = Disables module
- bit 14      **Unimplemented:** Read as '0'
- bit 13      **SPISIDL:** SPIx Stop in Idle Mode bit  
 1 = Discontinues module operation when device enters Idle mode  
 0 = Continues module operation in Idle mode
- bit 12-7    **Unimplemented:** Read as '0'
- bit 6        **SPIROV:** SPIx Receive Overflow Flag bit  
 1 = A new byte/word is completely received and discarded; the user software has not read the previous data in the SPIxBUF register  
 0 = No overflow has occurred.
- bit 5-2     **Unimplemented:** Read as '0'
- bit 1        **SPITBF:** SPIx Transmit Buffer Full Status bit  
 1 = Transmit has not yet started, SPIxTXB is full  
 0 = Transmit has started, SPIxTXB is empty  
 Automatically set in hardware when the CPU writes the SPIxBUF location, loading SPIxTXB. Automatically cleared in hardware when the SPIx module transfers data from SPIxTXB to SPIxSR.
- bit 0        **SPIRBF:** SPIx Receive Buffer Full Status bit  
 1 = Receive complete, SPIxRXB is full  
 0 = Receive is not complete, SPIxRXB is empty  
 Automatically set in hardware when SPIx transfers data from SPIxSR to SPIxRXB. Automatically cleared in hardware when the core reads the SPIxBUF location, reading SPIxRXB.

# dsPIC33FJ16(GP/MC)101/102 AND dsPIC33FJ32(GP/MC)101/102/104

## REGISTER 16-2: SPIxCON1: SPIx CONTROL REGISTER 1

|        |     |     |        |        |        |       |                    |
|--------|-----|-----|--------|--------|--------|-------|--------------------|
| U-0    | U-0 | U-0 | R/W-0  | R/W-0  | R/W-0  | R/W-0 | R/W-0              |
| —      | —   | —   | DISSCK | DISSDO | MODE16 | SMP   | CKE <sup>(1)</sup> |
| bit 15 |     |     |        |        |        |       | bit 8              |

|                     |       |       |                          |       |       |                          |       |
|---------------------|-------|-------|--------------------------|-------|-------|--------------------------|-------|
| R/W-0               | R/W-0 | R/W-0 | R/W-0                    | R/W-0 | R/W-0 | R/W-0                    | R/W-0 |
| SSEN <sup>(2)</sup> | CKP   | MSTEN | SPRE<2:0> <sup>(3)</sup> |       |       | PPRE<1:0> <sup>(3)</sup> |       |
| bit 7               |       |       |                          |       |       |                          | bit 0 |

### Legend:

R = Readable bit                      W = Writable bit                      U = Unimplemented bit, read as '0'  
 -n = Value at POR                      '1' = Bit is set                      '0' = Bit is cleared                      x = Bit is unknown

- bit 15-13      **Unimplemented:** Read as '0'
- bit 12      **DISSCK:** Disable SCKx pin bit (SPI Master modes only)
  - 1 = Internal SPI clock is disabled, pin functions as I/O
  - 0 = Internal SPI clock is enabled
- bit 11      **DISSDO:** Disable SDOx pin bit
  - 1 = SDOx pin is not used by module; pin functions as I/O
  - 0 = SDOx pin is controlled by the module
- bit 10      **MODE16:** Word/Byte Communication Select bit
  - 1 = Communication is word-wide (16 bits)
  - 0 = Communication is byte-wide (8 bits)
- bit 9      **SMP:** SPIx Data Input Sample Phase bit
  - Master mode:
  - 1 = Input data sampled at end of data output time
  - 0 = Input data sampled at middle of data output time
  - Slave mode:
  - SMP must be cleared when SPIx is used in Slave mode.
- bit 8      **CKE:** Clock Edge Select bit<sup>(1)</sup>
  - 1 = Serial output data changes on transition from active clock state to Idle clock state (see bit 6)
  - 0 = Serial output data changes on transition from Idle clock state to active clock state (see bit 6)
- bit 7      **SSEN:** SPIx Slave Select Enable bit (Slave mode)<sup>(2)</sup>
  - 1 =  $\overline{SSx}$  pin is used for Slave mode
  - 0 =  $\overline{SSx}$  pin is not used by module, pin is controlled by port function
- bit 6      **CKP:** Clock Polarity Select bit
  - 1 = Idle state for clock is a high level; active state is a low level
  - 0 = Idle state for clock is a low level; active state is a high level
- bit 5      **MSTEN:** Master Mode Enable bit
  - 1 = Master mode
  - 0 = Slave mode

- Note 1:** The CKE bit is not used in the Framed SPI modes. Program this bit to '0' for the Framed SPI modes (FRMEN = 1).
- 2:** This bit must be cleared when FRMEN = 1.
- 3:** Do not set both primary and secondary prescalers to a value of 1:1.

## REGISTER 16-2: SPIxCON1: SPIx CONTROL REGISTER 1 (CONTINUED)

- bit 4-2      **SPRE<2:0>**: Secondary Prescale bits (Master mode)<sup>(3)</sup>  
111 = Secondary prescale 1:1  
110 = Secondary prescale 2:1  
.  
.  
.  
000 = Secondary prescale 8:1
- bit 1-0      **PPRE<1:0>**: Primary Prescale bits (Master mode)<sup>(3)</sup>  
11 = Primary prescale 1:1  
10 = Primary prescale 4:1  
01 = Primary prescale 16:1  
00 = Primary prescale 64:1

- Note 1:** The CKE bit is not used in the Framed SPI modes. Program this bit to '0' for the Framed SPI modes (FRMEN = 1).
- 2:** This bit must be cleared when FRMEN = 1.
- 3:** Do not set both primary and secondary prescalers to a value of 1:1.

# dsPIC33FJ16(GP/MC)101/102 AND dsPIC33FJ32(GP/MC)101/102/104

## REGISTER 16-3: SPIxCON2: SPIx CONTROL REGISTER 2

|        |        |        |     |     |     |     |       |
|--------|--------|--------|-----|-----|-----|-----|-------|
| R/W-0  | R/W-0  | R/W-0  | U-0 | U-0 | U-0 | U-0 | U-0   |
| FRMEN  | SPIFSD | FRMPOL | —   | —   | —   | —   | —     |
| bit 15 |        |        |     |     |     |     | bit 8 |

|       |     |     |     |     |     |        |     |
|-------|-----|-----|-----|-----|-----|--------|-----|
| U-0   | U-0 | U-0 | U-0 | U-0 | U-0 | R/W-0  | U-0 |
| —     | —   | —   | —   | —   | —   | FRMDLY | —   |
| bit 7 |     |     |     |     |     | bit 0  |     |

### Legend:

|                   |                  |                                    |
|-------------------|------------------|------------------------------------|
| R = Readable bit  | W = Writable bit | U = Unimplemented bit, read as '0' |
| -n = Value at POR | '1' = Bit is set | '0' = Bit is cleared               |
|                   |                  | x = Bit is unknown                 |

- bit 15      **FRMEN:** Framed SPIx Support bit  
             1 = Framed SPIx support is enabled ( $\overline{SSx}$  pin used as Frame Sync pulse input/output)  
             0 = Framed SPIx support is disabled
- bit 14      **SPIFSD:** Frame Sync Pulse Direction Control bit  
             1 = Frame Sync pulse input (slave)  
             0 = Frame Sync pulse output (master)
- bit 13      **FRMPOL:** Frame Sync Pulse Polarity bit  
             1 = Frame Sync pulse is active-high  
             0 = Frame Sync pulse is active-low
- bit 12-2    **Unimplemented:** Read as '0'
- bit 1        **FRMDLY:** Frame Sync Pulse Edge Select bit  
             1 = Frame Sync pulse coincides with first bit clock  
             0 = Frame Sync pulse precedes first bit clock
- bit 0        **Unimplemented:** This bit must not be set to '1' by the user application



## 17.0 INTER-INTEGRATED CIRCUIT™ (I<sup>2</sup>C™)

**Note 1:** This data sheet summarizes the features of the dsPIC33FJ16(GP/MC)101/102 and dsPIC33FJ32(GP/MC)101/102/104 family devices. It is not intended to be a comprehensive reference source. To complement the information in this data sheet, refer to **Section 19. “Inter-Integrated Circuit™ (I<sup>2</sup>C™)”** (DS70195) in the “dsPIC33F/PIC24H Family Reference Manual”, which is available from the Microchip web site ([www.microchip.com](http://www.microchip.com)).

**2:** Some registers and associated bits described in this section may not be available on all devices. Refer to **Section 4.0 “Memory Organization”** in this data sheet for device-specific register and bit information.

The Inter-Integrated Circuit™ (I<sup>2</sup>C™) module provides complete hardware support for both Slave and Multi-Master modes of the I<sup>2</sup>C serial communication standard, with a 16-bit interface.

The I<sup>2</sup>C module has a 2-pin interface:

- The SCLx pin is clock
- The SDAx pin is data

The I<sup>2</sup>C module offers the following key features:

- I<sup>2</sup>C interface supporting both Master and Slave modes of operation.
- I<sup>2</sup>C Slave mode supports 7-bit and 10-bit addresses
- I<sup>2</sup>C Master mode supports 7-bit and 10-bit addresses
- I<sup>2</sup>C port allows bidirectional transfers between master and slaves
- Serial clock synchronization for I<sup>2</sup>C port can be used as a handshake mechanism to suspend and resume serial transfer (SCLREL control)
- I<sup>2</sup>C supports multi-master operation, detects bus collision and arbitrates accordingly

## 17.1 Operating Modes

The hardware fully implements all the master and slave functions of the I<sup>2</sup>C Standard and Fast mode specifications, as well as 7-bit and 10-bit addressing.

The I<sup>2</sup>C module can operate either as a slave or a master on an I<sup>2</sup>C bus.

The following types of I<sup>2</sup>C operation are supported:

- I<sup>2</sup>C slave operation with 7-bit address
- I<sup>2</sup>C slave operation with 10-bit address
- I<sup>2</sup>C master operation with 7-bit or 10-bit address

For details about the communication sequence in each of these modes, refer to the Microchip web site ([www.microchip.com](http://www.microchip.com)) for the latest “dsPIC33F/PIC24H Family Reference Manual” sections.

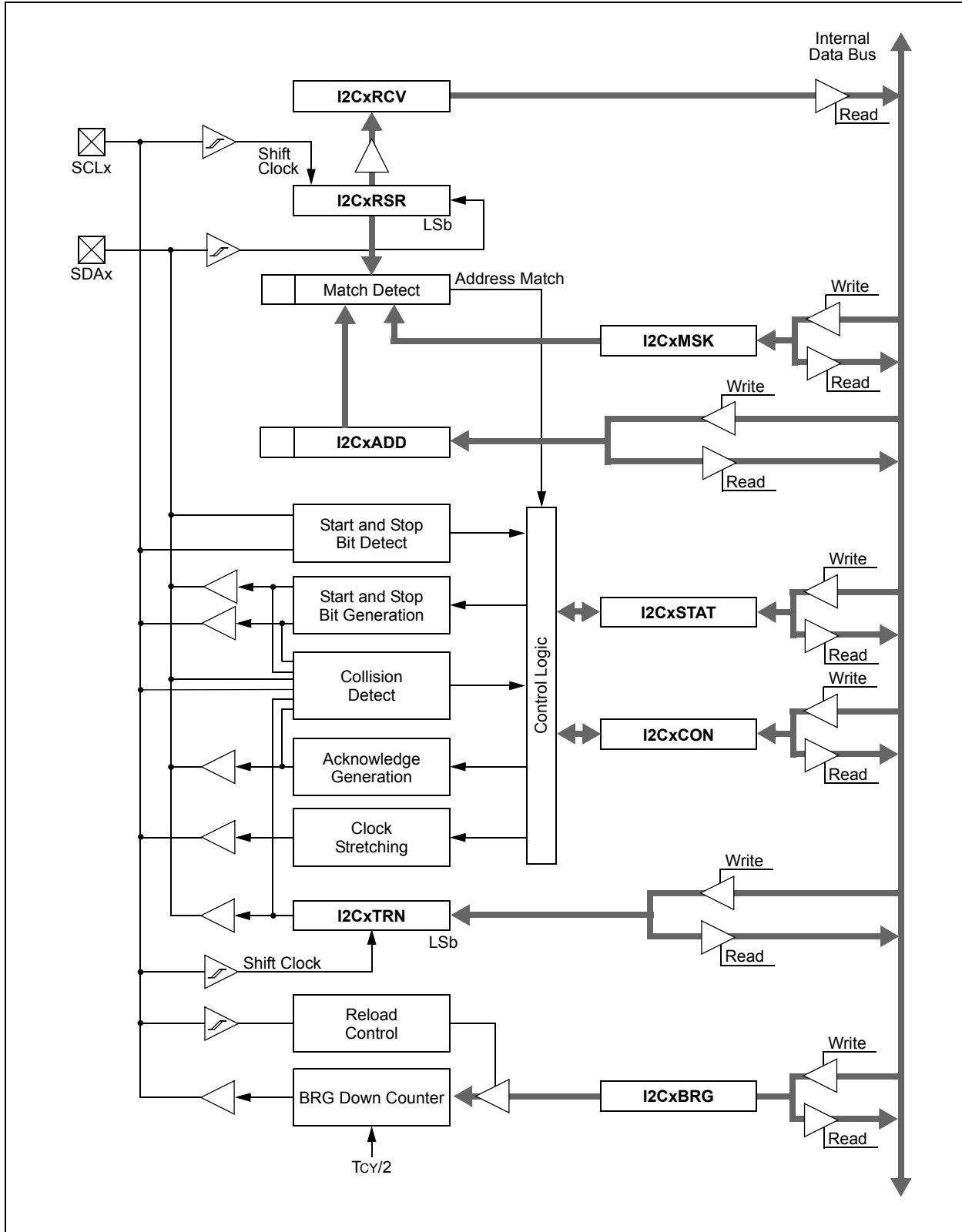
## 17.2 I<sup>2</sup>C Registers

I2CxCON and I2CxSTAT are control and status registers, respectively. The I2CxCON register is readable and writable. The lower six bits of I2CxSTAT are read-only. The remaining bits of the I2CxSTAT are read/write:

- I2CxRSR is the shift register used for shifting data
- I2CxRCV is the receive buffer and the register to which data bytes are written or from which data bytes are read
- I2CxTRN is the transmit register to which bytes are written during a transmit operation
- I2CxADD register holds the slave address
- ADD10 status bit indicates 10-Bit Addressing mode
- I2CxBRG acts as the Baud Rate Generator (BRG) reload value

In receive operations, I2CxRSR and I2CxRCV together form a double-buffered receiver. When I2CxRSR receives a complete byte, it is transferred to I2CxRCV and an interrupt pulse is generated.

FIGURE 17-1: I<sup>2</sup>C™ BLOCK DIAGRAM (x = 1)



## 17.3 I<sup>2</sup>C Control Registers

**REGISTER 17-1: I2CxCON: I2Cx CONTROL REGISTER**

|        |     |         |           |        |       |        |       |
|--------|-----|---------|-----------|--------|-------|--------|-------|
| R/W-0  | U-0 | R/W-0   | R/W-1, HC | R/W-0  | R/W-0 | R/W-0  | R/W-0 |
| I2CEN  | —   | I2CSIDL | SCLREL    | IPMIEN | A10M  | DISSLW | SMEN  |
| bit 15 |     |         |           |        |       |        | bit 8 |

|       |       |       |           |           |           |           |           |
|-------|-------|-------|-----------|-----------|-----------|-----------|-----------|
| R/W-0 | R/W-0 | R/W-0 | R/W-0, HC | R/W-0, HC | R/W-0, HC | R/W-0, HC | R/W-0, HC |
| GCEN  | STREN | ACKDT | ACKEN     | RCEN      | PEN       | RSEN      | SEN       |
| bit 7 |       |       |           |           |           |           | bit 0     |

|                   |                                    |
|-------------------|------------------------------------|
| <b>Legend:</b>    | HC = Hardware Clearable bit        |
| R = Readable bit  | W = Writable bit                   |
| -n = Value at POR | '1' = Bit is set                   |
|                   | U = Unimplemented bit, read as '0' |
|                   | '0' = Bit is cleared               |
|                   | x = Bit is unknown                 |

- bit 15      **I2CEN:** I2Cx Enable bit  
 1 = Enables the I2Cx module and configures the SDAx and SCLx pins as serial port pins  
 0 = Disables the I2Cx module; all I<sup>2</sup>C pins are controlled by port functions
- bit 14      **Unimplemented:** Read as '0'
- bit 13      **I2CSIDL:** I2Cx Stop in Idle Mode bit  
 1 = Discontinues module operation when device enters an Idle mode  
 0 = Continues module operation in Idle mode
- bit 12      **SCLREL:** SCLx Release Control bit (when operating as I<sup>2</sup>C slave)  
 1 = Releases SCLx clock  
 0 = Holds SCLx clock low (clock stretch)  
If STREN = 1:  
 Bit is R/W (i.e., software can write '0' to initiate stretch and write '1' to release clock). Hardware clears at beginning of every slave data byte transmission. Hardware clears at end of every slave address byte reception. Hardware clears at every slave data byte reception.  
If STREN = 0:  
 Bit is R/S (i.e., software can only write '1' to release clock). Hardware clears at beginning of every slave data byte transmission. Hardware clears at end of every slave address byte reception.
- bit 11      **IPMIEN:** Intelligent Peripheral Management Interface (IPMI) Enable bit  
 1 = IPMI mode is enabled; all addresses Acknowledged  
 0 = IPMI mode is disabled
- bit 10      **A10M:** I2Cx 10-Bit Slave Address bit  
 1 = I2CxADD is a 10-bit slave address  
 0 = I2CxADD is a 7-bit slave address
- bit 9        **DISSLW:** Disable Slew Rate Control bit  
 1 = Slew rate control is disabled  
 0 = Slew rate control is enabled
- bit 8        **SMEN:** SMBus Input Levels bit  
 1 = Enables I/O pin thresholds compliant with SMBus specification  
 0 = Disables SMBus input thresholds
- bit 7        **GCEN:** General Call Enable bit (when operating as I<sup>2</sup>C slave)  
 1 = Enables interrupt when a general call address is received in the I2CxRSR (module is enabled for reception)  
 0 = General call address is disabled

## REGISTER 17-1: I2CxCON: I2Cx CONTROL REGISTER (CONTINUED)

- bit 6      **STREN:** SCLx Clock Stretch Enable bit (when operating as I<sup>2</sup>C slave)  
Used in conjunction with the SCLREL bit.  
1 = Enables software or receives clock stretching  
0 = Disables software or receives clock stretching
- bit 5      **ACKDT:** Acknowledge Data bit (when operating as I<sup>2</sup>C master, applicable during master receive)  
Value that will be transmitted when the software initiates an Acknowledge sequence.  
1 = Sends NACK during Acknowledge  
0 = Sends ACK during Acknowledge
- bit 4      **ACKEN:** Acknowledge Sequence Enable bit (when operating as I<sup>2</sup>C master, applicable during master receive)  
1 = Initiates Acknowledge sequence on SDAx and SCLx pins and transmits ACKDT data bit; hardware clears at end of master Acknowledge sequence  
0 = Acknowledge sequence is not in progress
- bit 3      **RCEN:** Receive Enable bit (when operating as I<sup>2</sup>C master)  
1 = Enables Receive mode for I<sup>2</sup>C; hardware clears at end of eighth bit of the master receive data byte.  
0 = Receive sequence is not in progress
- bit 2      **PEN:** Stop Condition Enable bit (when operating as I<sup>2</sup>C master)  
1 = Initiates Stop condition on SDAx and SCLx pins; hardware clears at end of the master Stop sequence  
0 = Stop condition not in progress
- bit 1      **RSEN:** Repeated Start Condition Enable bit (when operating as I<sup>2</sup>C master)  
1 = Initiates Repeated Start condition on SDAx and SCLx pins; hardware clears at end of the master Repeated Start sequence  
0 = Repeated Start condition is not in progress
- bit 0      **SEN:** Start Condition Enable bit (when operating as I<sup>2</sup>C master)  
1 = Initiates Start condition on SDAx and SCLx pins; hardware clears at end of master Start sequence  
0 = Start condition is not in progress

# dsPIC33FJ16(GP/MC)101/102 AND dsPIC33FJ32(GP/MC)101/102/104

## REGISTER 17-2: I2CxSTAT: I2Cx STATUS REGISTER

|          |          |     |     |     |           |          |          |
|----------|----------|-----|-----|-----|-----------|----------|----------|
| R-0, HSC | R-0, HSC | U-0 | U-0 | U-0 | R/C-0, HS | R-0, HSC | R-0, HSC |
| ACKSTAT  | TRSTAT   | —   | —   | —   | BCL       | GCSTAT   | ADD10    |
| bit 15   |          |     |     |     |           |          | bit 8    |

|           |           |          |            |            |          |          |          |
|-----------|-----------|----------|------------|------------|----------|----------|----------|
| R/C-0, HS | R/C-0, HS | R-0, HSC | R/C-0, HSC | R/C-0, HSC | R-0, HSC | R-0, HSC | R-0, HSC |
| IWCOL     | I2COV     | D_A      | P          | S          | R_W      | RBF      | TBF      |
| bit 7     |           |          |            |            |          |          | bit 0    |

|                   |                   |   |
|-------------------|-------------------|---|
| <b>Legend:</b>    | C = Clearable bit | U = Unimplemented bit, read as '0'                                  |
| R = Readable bit  | W = Writable bit  | HS = Hardware Settable bit    HSC = Hardware Settable/Clearable bit |
| -n = Value at POR | '1' = Bit is set  | '0' = Bit is cleared            x = Bit is unknown                  |

- bit 15        **ACKSTAT:** Acknowledge Status bit  
(when operating as I<sup>2</sup>C master, applicable to master transmit operation)  
1 = NACK received from slave  
0 = ACK received from slave  
Hardware sets or clears at end of slave Acknowledge.
- bit 14        **TRSTAT:** Transmit Status bit (when operating as I<sup>2</sup>C master, applicable to master transmit operation)  
1 = Master transmit is in progress (8 bits + ACK)  
0 = Master transmit is not in progress  
Hardware sets at beginning of master transmission. Hardware clears at end of slave Acknowledge.
- bit 13-11    **Unimplemented:** Read as '0'
- bit 10        **BCL:** Master Bus Collision Detect bit  
1 = A bus collision has been detected during a master operation  
0 = No collision  
Hardware sets at detection of bus collision.
- bit 9         **GCSTAT:** General Call Status bit  
1 = General call address was received  
0 = General call address was not received  
Hardware sets when address matches general call address. Hardware clears at Stop detection.
- bit 8         **ADD10:** 10-Bit Address Status bit  
1 = 10-bit address was matched  
0 = 10-bit address was not matched  
Hardware sets at match of 2nd byte of matched 10-bit address. Hardware clears at Stop detection.
- bit 7         **IWCOL:** Write Collision Detect bit  
1 = An attempt to write to the I2CxTRN register failed because the I<sup>2</sup>C module is busy  
0 = No collision  
Hardware sets at occurrence of a write to I2CxTRN while busy (cleared by software).
- bit 6         **I2COV:** Receive Overflow Flag bit  
1 = A byte was received while the I2CxRCV register is still holding the previous byte  
0 = No overflow  
Hardware sets at attempt to transfer I2CxRSR to I2CxRCV (cleared by software).
- bit 5         **D\_A:** Data/Address bit (when operating as I<sup>2</sup>C slave)  
1 = Indicates that the last byte received was data  
0 = Indicates that the last byte received was device address  
Hardware clears at device address match. Hardware sets by reception of a slave byte.
- bit 4         **P:** Stop bit  
1 = Indicates that a Stop bit has been detected last  
0 = Stop bit was not detected last  
Hardware sets or clears when Start, Repeated Start or Stop is detected.

## REGISTER 17-2: I2CxSTAT: I2Cx STATUS REGISTER (CONTINUED)

- bit 3      **S:** Start bit  
1 = Indicates that a Start (or Repeated Start) bit has been detected last  
0 = Start bit was not detected last  
Hardware sets or clears when Start, Repeated Start or Stop is detected.
- bit 2      **R\_W:** Read/Write Information bit (when operating as I<sup>2</sup>C slave)  
1 = Read – indicates data transfer is output from slave  
0 = Write – indicates data transfer is input to slave  
Hardware sets or clears after reception of an I<sup>2</sup>C device address byte.
- bit 1      **RBF:** Receive Buffer Full Status bit  
1 = Receive is complete, I2CxRCV is full  
0 = Receive is not complete, I2CxRCV is empty  
Hardware sets when I2CxRCV is written with received byte. Hardware clears when software reads I2CxRCV.
- bit 0      **TBF:** Transmit Buffer Full Status bit  
1 = Transmit in progress, I2CxTRN is full  
0 = Transmit complete, I2CxTRN is empty  
Hardware sets when software writes to I2CxTRN. Hardware clears at completion of data transmission.

# dsPIC33FJ16(GP/MC)101/102 AND dsPIC33FJ32(GP/MC)101/102/104

---

## REGISTER 17-3: I2CxMSK: I2Cx SLAVE MODE ADDRESS MASK REGISTER

|        |     |     |     |     |     |       |       |
|--------|-----|-----|-----|-----|-----|-------|-------|
| U-0    | U-0 | U-0 | U-0 | U-0 | U-0 | R/W-0 | R/W-0 |
| —      | —   | —   | —   | —   | —   | AMSK9 | AMSK8 |
| bit 15 |     |     |     |     |     | bit 8 |       |

|       |       |       |       |       |       |       |       |
|-------|-------|-------|-------|-------|-------|-------|-------|
| R/W-0 | R/W-0 | R/W-0 | R/W-0 | R/W-0 | R/W-0 | R/W-0 | R/W-0 |
| AMSK7 | AMSK6 | AMSK5 | AMSK4 | AMSK3 | AMSK2 | AMSK1 | AMSK0 |
| bit 7 |       |       |       |       |       | bit 0 |       |

|                   |                  |                                    |                    |
|-------------------|------------------|------------------------------------|--------------------|
| <b>Legend:</b>    |                  |                                    |                    |
| R = Readable bit  | W = Writable bit | U = Unimplemented bit, read as '0' |                    |
| -n = Value at POR | '1' = Bit is set | '0' = Bit is cleared               | x = Bit is unknown |

bit 15-10     **Unimplemented:** Read as '0'

bit 9-0       **AMSKx:** Mask for Address Bit x Select bits

1 = Enables masking for Bit x of incoming message address; bit match not required in this position

0 = Disables masking for Bit x; bit match required in this position

# **dsPIC33FJ16(GP/MC)101/102 AND dsPIC33FJ32(GP/MC)101/102/104**

---

NOTES:



## 18.0 UNIVERSAL ASYNCHRONOUS RECEIVER TRANSMITTER (UART)

**Note 1:** This data sheet summarizes the features of the dsPIC33FJ16(GP/MC)101/102 and dsPIC33FJ32(GP/MC)101/102/104 family devices. It is not intended to be a comprehensive reference source. To complement the information in this data sheet, refer to **Section 17. "UART"** (DS70188) in the "dsPIC33F/PIC24H Family Reference Manual", which is available from the Microchip web site ([www.microchip.com](http://www.microchip.com)).

**2:** Some registers and associated bits described in this section may not be available on all devices. Refer to **Section 4.0 "Memory Organization"** in this data sheet for device-specific register and bit information.

The Universal Asynchronous Receiver Transmitter (UART) module is one of the serial I/O modules available in the dsPIC33FJ16(GP/MC)101/102 and dsPIC33FJ32(GP/MC)101/102/104 device family. The UART is a full-duplex asynchronous system that can communicate with peripheral devices, such as personal computers, LIN/J2602, RS-232 and RS-485 interfaces. The module also supports a hardware flow control option with the UxCTS and UxRTS pins, and also includes an IrDA® encoder and decoder.

The primary features of the UART module are:

- Full-Duplex, 8-Bit or 9-Bit Data Transmission through the UxTX and UxRX Pins
- Even, Odd or No Parity options (for 8-bit data)
- One or Two Stop bits
- Hardware Flow Control Option with  $\overline{UxCTS}$  and  $\overline{UxRTS}$  Pins
- Fully Integrated Baud Rate Generator with 16-Bit Prescaler
- Baud Rates Ranging from 1 Mbps to 6 bps at 16x mode at 16 MIPS
- Baud Rates Ranging from 4 Mbps to 24.4 bps at 4x mode at 16 MIPS
- 4-Deep First-In First-Out (FIFO) Transmit Data Buffer
- 4-Deep FIFO Receive Data Buffer
- Parity, Framing and Buffer Overrun Error Detection
- Support for 9-bit mode with Address Detect (9th bit = 1)
- Transmit and Receive Interrupts
- A Separate Interrupt for all UART Error Conditions
- Loopback mode for Diagnostic Support
- Support for Sync and Break Characters
- Support for Automatic Baud Rate Detection
- IrDA® Encoder and Decoder Logic
- 16x Baud Clock Output for IrDA® Support

A simplified block diagram of the UART module is shown in **Figure 18-1**. The UART module consists of these key hardware elements:

- Baud Rate Generator
- Asynchronous Transmitter
- Asynchronous Receiver

**FIGURE 18-1: UART SIMPLIFIED BLOCK DIAGRAM**



## 18.1 UART Helpful Tips

1. In multi-node direct connect UART networks, UART receive inputs react to the complementary logic level, defined by the URXINV bit (UxMODE<4>) which defines the Idle state, the default of which is logic high (i.e., URXINV = 0). Because remote devices do not initialize at the same time, it is likely that one of the devices, because the RX line is floating, will trigger a Start bit detection and will cause the first byte received after the device has been initialized to be invalid. To avoid this situation, the user should use a pull-up or pull-down resistor on the RX pin depending on the value of the URXINV bit.
  - a) If URXINV = 0, use a pull-up resistor on the RX pin.
  - b) If URXINV = 1, use a pull-down resistor on the RX pin.
2. The first character received on a wake-up from Sleep mode, caused by activity on the UxRX pin of the UART module, will be invalid. In Sleep mode, peripheral clocks are disabled. By the time the oscillator system has restarted and stabilized from Sleep mode, the baud rate bit sampling clock, relative to the incoming UxRX bit timing, is no longer synchronized, resulting in the first character being invalid. This is to be expected.

## 18.2 UART Resources

Many useful resources are provided on the main product page of the Microchip web site for the devices listed in this data sheet. This product page, which can be accessed using this [link](#), contains the latest updates and additional information.

|  |
|--|
| <p><b>Note:</b> In the event you are not able to access the product page using the link above, enter this URL in your browser:<br/><a href="http://www.microchip.com/wwwproducts/Devices.aspx?dDocName=en554109">http://www.microchip.com/wwwproducts/Devices.aspx?dDocName=en554109</a></p> |
|--|

### 18.2.1 KEY RESOURCES

- **Section 17. “UART”** (DS70188) in the *“dsPIC33F/PIC24H Family Reference Manual”*
- Code Samples
- Application Notes
- Software Libraries
- Webinars
- All related *“dsPIC33F/PIC24H Family Reference Manual”* sections
- Development Tools

## 18.3 UART Control Registers

### REGISTER 18-1: UxMODE: UARTx MODE REGISTER

|                       |     |       |                     |       |     |          |       |
|-----------------------|-----|-------|---------------------|-------|-----|----------|-------|
| R/W-0                 | U-0 | R/W-0 | R/W-0               | R/W-0 | U-0 | R/W-0    | R/W-0 |
| UARTEN <sup>(1)</sup> | —   | USIDL | IREN <sup>(2)</sup> | RTSMD | —   | UEN<1:0> |       |
| bit 15                |     |       |                     |       |     | bit 8    |       |

|           |        |           |        |       |            |       |       |
|-----------|--------|-----------|--------|-------|------------|-------|-------|
| R/W-0, HC | R/W-0  | R/W-0, HC | R/W-0  | R/W-0 | R/W-0      | R/W-0 | R/W-0 |
| WAKE      | LPBACK | ABAUD     | URXINV | BRGH  | PDSEL<1:0> |       | STSEL |
| bit 7     |        |           |        |       |            | bit 0 |       |

|                   |                             |  |
|-------------------|-----------------------------|--|
| <b>Legend:</b>    | HC = Hardware Clearable bit |  |
| R = Readable bit  | W = Writable bit            | U = Unimplemented bit, read as '0'           |
| -n = Value at POR | '1' = Bit is set            | '0' = Bit is cleared      x = Bit is unknown |

- bit 15      **UARTEN:** UARTx Enable bit<sup>(1)</sup>  
 1 = UARTx is enabled; all UARTx pins are controlled by UARTx as defined by the UEN<1:0> bits  
 0 = UARTx is disabled; all UARTx pins are controlled by port latches; UARTx power consumption is minimal
- bit 14      **Unimplemented:** Read as '0'
- bit 13      **USIDL:** UARTx Stop in Idle Mode bit  
 1 = Discontinues module operation when device enters Idle mode  
 0 = Continues module operation in Idle mode
- bit 12      **IREN:** IrDA® Encoder and Decoder Enable bit<sup>(2)</sup>  
 1 = IrDA encoder and decoder are enabled  
 0 = IrDA encoder and decoder are disabled
- bit 11      **RTSMD:** UARTx Mode Selection for  $\overline{UxRTS}$  Pin bit  
 1 =  $\overline{UxRTS}$  pin in Simplex mode  
 0 =  $\overline{UxRTS}$  pin in Flow Control mode
- bit 10      **Unimplemented:** Read as '0'
- bit 9-8      **UEN<1:0>:** UARTx Pin Enable bits  
 11 = UxTX, UxRX and BCLK pins are enabled and used;  $\overline{UxCTS}$  pin is controlled by port latches  
 10 = UxTX, UxRX,  $\overline{UxCTS}$  and  $\overline{UxRTS}$  pins are enabled and used  
 01 = UxTX, UxRX and  $\overline{UxRTS}$  pins are enabled and used;  $\overline{UxCTS}$  pin is controlled by port latches  
 00 = UxTX and UxRX pins are enabled and used;  $\overline{UxCTS}$  and  $\overline{UxRTS}$ /BCLK pins are controlled by port latches
- bit 7      **WAKE:** Wake-up on Start bit Detect During Sleep Mode Enable bit  
 1 = UARTx will continue to sample the UxRX pin; interrupt is generated on falling edge; bit is cleared in hardware on following rising edge  
 0 = No wake-up is enabled
- bit 6      **LPBACK:** UARTx Loopback Mode Select bit  
 1 = Enables Loopback mode  
 0 = Loopback mode is disabled
- bit 5      **ABAUD:** Auto-Baud Enable bit  
 1 = Enables baud rate measurement on the next character – requires reception of a Sync field (55h) before other data; cleared in hardware upon completion  
 0 = Baud rate measurement is disabled or completed

**Note 1:** Refer to **Section 17. “UART”** (DS70188) in the “dsPIC33F/PIC24H Family Reference Manual” for information on enabling the UART module for receive or transmit operation.

**2:** This feature is available for 16x BRG mode (BRGH = 0) only.

## REGISTER 18-1: UxMODE: UARTx MODE REGISTER (CONTINUED)

- bit 4            **URXINV:** UARTx Receive Polarity Inversion bit  
                  1 = UxRX Idle state is '0'  
                  0 = UxRX Idle state is '1'
- bit 3            **BRGH:** High Baud Rate Enable bit  
                  1 = BRG generates 4 clocks per bit period (4x baud clock, High-Speed mode)  
                  0 = BRG generates 16 clocks per bit period (16x baud clock, Standard mode)
- bit 2-1         **PDSEL<1:0>:** Parity and Data Selection bits  
                  11 = 9-bit data, no parity  
                  10 = 8-bit data, odd parity  
                  01 = 8-bit data, even parity  
                  00 = 8-bit data, no parity
- bit 0            **STSEL:** Stop Bit Selection bit  
                  1 = Two Stop bits  
                  0 = One Stop bit

- Note 1:** Refer to **Section 17. "UART"** (DS70188) in the "*dsPIC33F/PIC24H Family Reference Manual*" for information on enabling the UART module for receive or transmit operation.
- 2:** This feature is available for 16x BRG mode (BRGH = 0) only.

# dsPIC33FJ16(GP/MC)101/102 AND dsPIC33FJ32(GP/MC)101/102/104

## REGISTER 18-2: UxSTA: UARTx STATUS AND CONTROL REGISTER

|          |        |          |     |           |                      |       |       |
|----------|--------|----------|-----|-----------|----------------------|-------|-------|
| R/W-0    | R/W-0  | R/W-0    | U-0 | R/W-0, HC | R/W-0                | R-0   | R-1   |
| UTXISEL1 | UTXINV | UTXISEL0 | —   | UTXBRK    | UTXEN <sup>(1)</sup> | UTXBF | TRMT  |
| bit 15   |        |          |     |           |                      |       | bit 8 |

|              |       |       |      |      |      |       |       |
|--------------|-------|-------|------|------|------|-------|-------|
| R/W-0        | R/W-0 | R/W-0 | R-1  | R-0  | R-0  | R/C-0 | R-0   |
| URXISEL<1:0> |       | ADDEN | RIDL | PERR | FERR | OERR  | URXDA |
| bit 7        |       |       |      |      |      |       | bit 0 |

|                   |                   |  |
|-------------------|-------------------|--|
| <b>Legend:</b>    | C = Clearable bit | HC = Hardware Clearable bit                  |
| R = Readable bit  | W = Writable bit  | U = Unimplemented bit, read as '0'           |
| -n = Value at POR | '1' = Bit is set  | '0' = Bit is cleared      x = Bit is unknown |

- bit 15,13    **UTXISEL<1:0>:** UARTx Transmission Interrupt Mode Selection bits
- 11 = Reserved; do not use
  - 10 = Interrupt when a character is transferred to the Transmit Shift Register (TSR) and as a result, the transmit buffer becomes empty
  - 01 = Interrupt when the last character is shifted out of the Transmit Shift Register; all transmit operations are completed
  - 00 = Interrupt when a character is transferred to the Transmit Shift Register (this implies there is at least one character open in the transmit buffer)
- bit 14    **UTXINV:** UARTx Transmit Polarity Inversion bit
- If IREN = 0:
- 1 = UxTX Idle state is '0'
  - 0 = UxTX Idle state is '1'
- If IREN = 1:
- 1 = IrDA encoded, UxTX Idle state is '1'
  - 0 = IrDA encoded, UxTX Idle state is '0'
- bit 12    **Unimplemented:** Read as '0'
- bit 11    **UTXBRK:** UARTx Transmit Break bit
- 1 = Sends Sync Break on next transmission – Start bit, followed by twelve '0' bits, followed by Stop bit; cleared by hardware upon completion
  - 0 = Sync Break transmission is disabled or completed
- bit 10    **UTXEN:** UARTx Transmit Enable bit<sup>(1)</sup>
- 1 = Transmit is enabled, UxTX pin is controlled by UARTx
  - 0 = Transmit is disabled, any pending transmission is aborted and the buffer is reset; UxTX pin is controlled by port
- bit 9    **UTXBF:** UARTx Transmit Buffer Full Status bit (read-only)
- 1 = Transmit buffer is full
  - 0 = Transmit buffer is not full, at least one more character can be written
- bit 8    **TRMT:** Transmit Shift Register Empty bit (read-only)
- 1 = Transmit Shift Register is empty and transmit buffer is empty (the last transmission has completed)
  - 0 = Transmit Shift Register is not empty, a transmission is in progress or queued
- bit 7-6    **URXISEL<1:0>:** UARTx Receive Interrupt Mode Selection bits
- 11 = Interrupt is set on UxRSR transfer, making the receive buffer full (i.e., has 4 data characters)
  - 10 = Interrupt is set on UxRSR transfer, making the receive buffer 3/4 full (i.e., has 3 data characters)
  - 0x = Interrupt is set when any character is received and transferred from the UxRSR to the receive buffer; receive buffer has one or more characters

**Note 1:** Refer to **Section 17. “UART”** (DS70188) in the “dsPIC33F/PIC24H Family Reference Manual” for information on enabling the UART module for transmit operation.

## REGISTER 18-2: UxSTA: UARTx STATUS AND CONTROL REGISTER (CONTINUED)

- bit 5      **ADDEN:** Address Character Detect bit (Bit 8 of received data = 1)  
1 = Address Detect mode is enabled; if 9-bit mode is not selected, this does not take effect  
0 = Address Detect mode is disabled
- bit 4      **RIDLE:** Receiver Idle bit (read-only)  
1 = Receiver is Idle  
0 = Receiver is active
- bit 3      **PERR:** Parity Error Status bit (read-only)  
1 = Parity error has been detected for the current character (character at the top of the receive FIFO)  
0 = Parity error has not been detected
- bit 2      **FERR:** Framing Error Status bit (read-only)  
1 = Framing error has been detected for the current character (character at the top of the receive FIFO)  
0 = Framing error has not been detected
- bit 1      **OERR:** Receive Buffer Overrun Error Status bit (read-only/clear only)  
1 = Receive buffer has overflowed  
0 = Receive buffer has not overflowed; clearing a previously set OERR bit (1 → 0 transition) will reset the receiver buffer and the UxRSR to the empty state
- bit 0      **URXDA:** Receive Buffer Data Available bit (read-only)  
1 = Receive buffer has data, at least one more character can be read  
0 = Receive buffer is empty

**Note 1:** Refer to **Section 17. “UART”** (DS70188) in the *“dsPIC33F/PIC24H Family Reference Manual”* for information on enabling the UART module for transmit operation.

## 19.0 10-BIT ANALOG-TO-DIGITAL CONVERTER (ADC)

**Note 1:** This data sheet summarizes the features of the dsPIC33FJ16(GP/MC)101/102 and dsPIC33FJ32(GP/MC)101/102/104 family devices. It is not intended to be a comprehensive reference source. To complement the information in this data sheet, refer to **Section 16. “Analog-to-Digital Converter (ADC)”** (DS70183) in the “dsPIC33F/PIC24H Family Reference Manual”, which is available from the Microchip web site ([www.microchip.com](http://www.microchip.com)).

**2:** Some registers and associated bits described in this section may not be available on all devices. Refer to **Section 4.0 “Memory Organization”** in this data sheet for device-specific register and bit information.

The dsPIC33FJ16(GP/MC)101/102 and dsPIC33FJ32(GP/MC)101/102/104 devices have up to 14 ADC module input channels.

### 19.1 Key Features

The 10-bit ADC configuration has the following key features:

- Successive Approximation (SAR) conversion
- Conversion speeds of up to 1.1 Msps
- Up to 14 analog input pins
- Four Sample-and-Hold (S&H) circuits for simultaneous sampling of up to four analog input pins
- Automatic Channel Scan mode
- Selectable conversion trigger source
- Selectable Buffer Fill modes
- Four result alignment options (signed/unsigned, fractional/integer)
- Operation during CPU Sleep and Idle modes
- 16-word conversion result buffer

Depending on the particular device pinout, the ADC can have up to 14 analog input pins.

Block diagrams of the ADC module are shown in [Figure 19-1](#) through [Figure 19-3](#).

### 19.2 ADC Initialization

To configure the ADC module:

1. Select port pins as analog inputs (AD1PCFGL<15:0>).
2. Select the analog conversion clock to match the desired data rate with the processor clock (ADxCON3<7:0>).
3. Determine how many Sample-and-Hold channels will be used (ADxCON2<9:8>).
4. Select the appropriate sample/conversion sequence (ADxCON1<7:5> and ADxCON3<12:8>).
5. Select the way conversion results are presented in the buffer (ADxCON1<9:8>).
6. Turn on the ADC module (ADxCON1<15>).
7. Configure ADC interrupt (if required):
  - a) Clear the ADxIF bit.
  - b) Select the ADC interrupt priority.

# dsPIC33FJ16(GP/MC)101/102 AND dsPIC33FJ32(GP/MC)101/102/104

**FIGURE 19-1: ADC1 BLOCK DIAGRAM FOR dsPIC33FJXX(GP/MC)101 DEVICES**





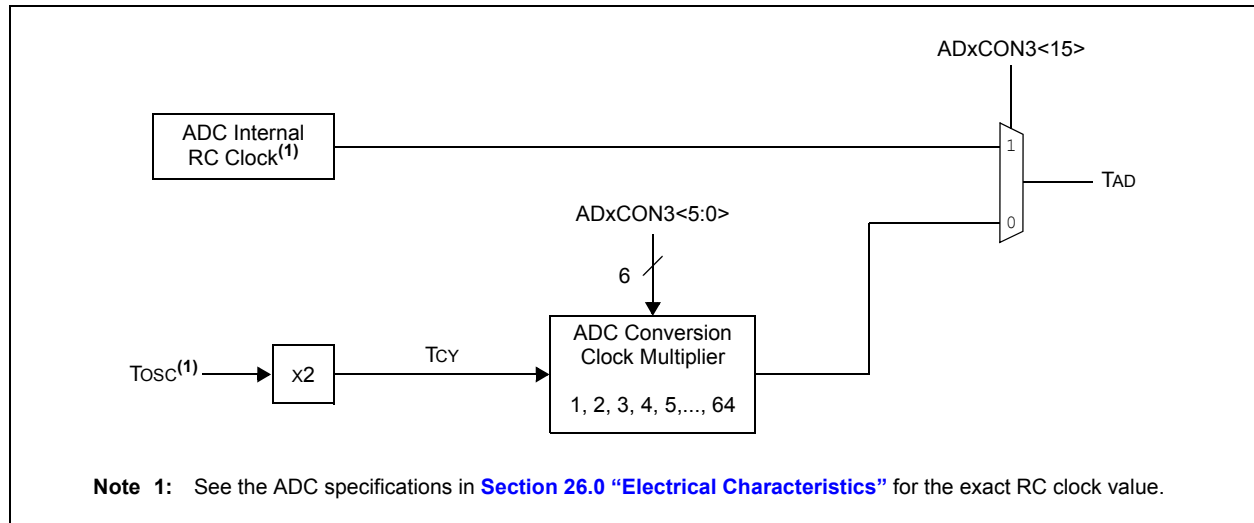
FIGURE 19-2: ADC1 BLOCK DIAGRAM FOR dsPIC33FJXX(GP/MC)102 DEVICES



FIGURE 19-3: ADC1 BLOCK DIAGRAM FOR dsPIC33FJ32(GP/MC)104 DEVICES



FIGURE 19-4: ADC CONVERSION CLOCK PERIOD BLOCK DIAGRAM



### 19.3 ADC Helpful Tips

1. The SMPI<3:0> (AD1CON2<5:2>) control bits:
  - a) Determine when the ADC interrupt flag is set and an interrupt is generated if enabled.
  - b) When the CSCNA bit (AD1CON2<10>) is set to '1', determine when the ADC analog scan channel list, defined in the AD1CSSL register, starts over from the beginning.
2. The ADC has 16 result buffers. ADC conversion results are stored sequentially in ADC1BUF0-ADC1BUFF regardless of which analog inputs are being used, subject to the SMPI<3:0> bits (AD1CON2<5:2>). There is no relationship between the ANx input being measured and which ADC buffer (ADC1BUF0-ADC1BUFF) that the conversion results will be placed in.
3. The DONE bit (AD1CON1<0>) is only cleared at the start of each conversion and is set at the completion of the conversion, but remains set indefinitely, even through the next sample phase until the next conversion begins. If application code is monitoring the DONE bit in any kind of software loop, the user must consider this behavior because the CPU code execution is faster than the ADC. As a result, in Manual Sample mode, particularly where the user's code is setting the SAMP bit (AD1CON1<1>), the DONE bit should also be cleared by the user application just before setting the SAMP bit.

### 19.4 ADC Resources

Many useful resources are provided on the main product page of the Microchip web site for the devices listed in this data sheet. This product page, which can be accessed using this [link](#), contains the latest updates and additional information.

**Note:** In the event you are not able to access the product page using the link above, enter this URL in your browser: <http://www.microchip.com/wwwproducts/Devices.aspx?dDocName=en554109>

#### 19.4.1 KEY RESOURCES

- **Section 16. “Analog-to-Digital Converter (ADC)”** (DS70183) in the “dsPIC33F/PIC24H Family Reference Manual”
- Code Samples
- Application Notes
- Software Libraries
- Webinars
- All related “dsPIC33F/PIC24H Family Reference Manual” sections
- Development Tools

## 19.5 ADC Control Registers

**REGISTER 19-1: AD1CON1: ADC1 CONTROL REGISTER 1**

|        |     |        |     |     |     |           |       |
|--------|-----|--------|-----|-----|-----|-----------|-------|
| R/W-0  | U-0 | R/W-0  | U-0 | U-0 | U-0 | R/W-0     | R/W-0 |
| ADON   | —   | ADSIDL | —   | —   | —   | FORM<1:0> |       |
| bit 15 |     |        |     |     |     | bit 8     |       |

|           |       |       |     |        |       |               |               |
|-----------|-------|-------|-----|--------|-------|---------------|---------------|
| R/W-0     | R/W-0 | R/W-0 | U-0 | R/W-0  | R/W-0 | R/W-0, HC, HS | R/C-0, HC, HS |
| SSRC<2:0> |       |       | —   | SIMSAM | ASAM  | SAMP          | DONE          |
| bit 7     |       |       |     |        |       | bit 0         |               |

|                   |                             |                                    |                    |
|-------------------|-----------------------------|------------------------------------|--------------------|
| <b>Legend:</b>    | HC = Hardware Clearable bit | HS = Hardware Settable bit         | C = Clearable bit  |
| R = Readable bit  | W = Writable bit            | U = Unimplemented bit, read as '0' |                    |
| -n = Value at POR | '1' = Bit is set            | '0' = Bit is cleared               | x = Bit is unknown |

- bit 15      **ADON:** ADC Operating Mode bit  
 1 = ADC module is operating  
 0 = ADC is off
- bit 14      **Unimplemented:** Read as '0'
- bit 13      **ADSIDL:** ADC Stop in Idle Mode bit  
 1 = Discontinues module operation when device enters Idle mode  
 0 = Continues module operation in Idle mode
- bit 12-10   **Unimplemented:** Read as '0'
- bit 9-8      **FORM<1:0>:** Data Output Format bits  
 11 = Signed fractional (DOUT = sddd dddd dd00 0000, where s = .NOT.d<9>)  
 10 = Fractional (DOUT = dddd dddd dd00 0000)  
 01 = Signed integer (DOUT = ssss sssd dddd dddd, where s = .NOT.d<9>)  
 00 = Integer (DOUT = 0000 00dd dddd dddd)
- bit 7-5      **SSRC<2:0>:** Sample Clock Source Select bits  
 111 = Internal counter ends sampling and starts conversion (auto-convert)  
 110 = CTMU  
 101 = Reserved  
 100 = Reserved  
 011 = Motor control PWM interval ends sampling and starts conversion<sup>(1)</sup>  
 010 = GP Timer3 compare ends sampling and starts conversion  
 001 = Active transition on INT0 pin ends sampling and starts conversion  
 000 = Clearing SAMP bit ends sampling and starts conversion
- bit 4      **Unimplemented:** Read as '0'
- bit 3      **SIMSAM:** Simultaneous Sample Select bit (applicable only when CHPS<1:0> = 01 or 1x)  
 1 = Samples CH0, CH1, CH2, CH3 simultaneously (when CHPS<1:0> = 1x); or samples CH0 and CH1 simultaneously (when CHPS<1:0> = 01)  
 0 = Samples multiple channels individually in sequence
- bit 2      **ASAM:** ADC Sample Auto-Start bit  
 1 = Sampling begins immediately after last conversion; SAMP bit is auto-set  
 0 = Sampling begins when the SAMP bit is set

**Note 1:** This feature is available in dsPIC33FJ(16/32)MC10X devices only.

## REGISTER 19-1: AD1CON1: ADC1 CONTROL REGISTER 1 (CONTINUED)

- bit 1      **SAMP:** ADC Sample Enable bit  
1 = ADC Sample-and-Hold amplifiers are sampling  
0 = ADC Sample-and-Hold amplifiers are holding  
If ASAM = 0, software can write '1' to begin sampling; automatically set by hardware if ASAM = 1.  
If SSRC<2:0> = 000, software can write '0' to end sampling and start conversion. If SSRC<2:0> ≠ 000, automatically cleared by hardware to end sampling and start conversion.
- bit 0      **DONE:** ADC Conversion Status bit  
1 = ADC conversion cycle is completed  
0 = ADC conversion has not started or is in progress  
Automatically set by hardware when ADC conversion is complete. Software can write '0' to clear the DONE bit status (software not allowed to write '1'). Clearing this bit will NOT affect any operation in progress. Automatically cleared by hardware at start of a new conversion.

**Note 1:** This feature is available in dsPIC33FJ(16/32)MC10X devices only.

# dsPIC33FJ16(GP/MC)101/102 AND dsPIC33FJ32(GP/MC)101/102/104

## REGISTER 19-2: AD1CON2: ADC1 CONTROL REGISTER 2

|           |       |       |     |     |       |           |       |       |
|-----------|-------|-------|-----|-----|-------|-----------|-------|-------|
| R/W-0     | R/W-0 | R/W-0 | U-0 | U-0 | R/W-0 | R/W-0     | R/W-0 |       |
| VCFG<2:0> |       |       | —   | —   | CSCNA | CHPS<1:0> |       |       |
| bit 15    |       |       |     |     |       |           |       | bit 8 |

|       |     |           |       |       |       |       |       |       |
|-------|-----|-----------|-------|-------|-------|-------|-------|-------|
| R-0   | U-0 | R/W-0     | R/W-0 | R/W-0 | R/W-0 | R/W-0 | R/W-0 |       |
| BUFS  | —   | SMPI<3:0> |       |       |       | BUFM  | ALTS  |       |
| bit 7 |     |           |       |       |       |       |       | bit 0 |

### Legend:

R = Readable bit                      W = Writable bit                      U = Unimplemented bit, read as '0'  
 -n = Value at POR                      '1' = Bit is set                      '0' = Bit is cleared                      x = Bit is unknown

bit 15-13      **VCFG<2:0>**: Converter Voltage Reference Configuration bits

|     | ADREF+ | ADREF- |
|-----|--------|--------|
| xxx | AVDD   | AVSS   |

bit 12-11      **Unimplemented**: Read as '0'

bit 10      **CSCNA**: Scan Input Selections for CH0+ During Sample A bit

- 1 = Scans inputs
- 0 = Does not scan inputs

bit 9-8      **CHPS<1:0>**: Select Channels Utilized bits

- 1x = Converts CH0, CH1, CH2 and CH3
- 01 = Converts CH0 and CH1
- 00 = Converts CH0

bit 7      **BUFS**: Buffer Fill Status bit (valid only when BUFM = 1)

- 1 = ADC is currently filling second half of buffer, user should access data in the first half
- 0 = ADC is currently filling first half of buffer, user application should access data in the second half

bit 6      **Unimplemented**: Read as '0'

bit 5-2      **SMPI<3:0>**: Sample/Convert Sequences Per Interrupt Selection bits

- 1111 = Interrupts at the completion of conversion for each 16th sample/convert sequence
- 1110 = Interrupts at the completion of conversion for each 15th sample/convert sequence

- 
- 
- 

- 0001 = Interrupts at the completion of conversion for each 2nd sample/convert sequence
- 0000 = Interrupts at the completion of conversion for each sample/convert sequence

bit 1      **BUFM**: Buffer Fill Mode Select bit

- 1 = Starts filling first half of buffer on first interrupt and the second half of buffer on next interrupt
- 0 = Always starts filling buffer from the beginning

bit 0      **ALTS**: Alternate Input Sample Mode Select bit

- 1 = Uses channel input selects for Sample A on first sample and Sample B on next sample
- 0 = Always uses channel input selects for Sample A

# dsPIC33FJ16(GP/MC)101/102 AND dsPIC33FJ32(GP/MC)101/102/104

## REGISTER 19-3: AD1CON3: ADC1 CONTROL REGISTER 3

|                          |       |       |                          |       |       |       |       |
|--------------------------|-------|-------|--------------------------|-------|-------|-------|-------|
| R/W-0                    | U-0   | U-0   | R/W-0                    | R/W-0 | R/W-0 | R/W-0 | R/W-0 |
| ADRC                     | —     | —     | SAMC<4:0> <sup>(1)</sup> |       |       |       |       |
| bit 15                   |       |       |                          |       |       |       | bit 8 |
| R/W-0                    | R/W-0 | R/W-0 | R/W-0                    | R/W-0 | R/W-0 | R/W-0 | R/W-0 |
| ADCS<7:0> <sup>(2)</sup> |       |       |                          |       |       |       |       |
| bit 7                    |       |       |                          |       |       |       | bit 0 |

### Legend:

R = Readable bit                      W = Writable bit                      U = Unimplemented bit, read as '0'  
 -n = Value at POR                      '1' = Bit is set                      '0' = Bit is cleared                      x = Bit is unknown

bit 15            **ADRC:** ADC Conversion Clock Source bit  
                   1 = ADC internal RC clock  
                   0 = Clock derived from system clock

bit 14-13       **Unimplemented:** Read as '0'

bit 12-8        **SAMC<4:0>:** Auto-Sample Time bits<sup>(1)</sup>  
                   11111 = 31 TAD  
                   •  
                   •  
                   •  
                   00001 = 1 TAD  
                   00000 = 0 TAD

bit 7-0         **ADCS<7:0>:** ADC Conversion Clock Select bits<sup>(2)</sup>  
                   11111111 = Reserved  
                   •  
                   •  
                   •  
                   •  
                   01000000 = Reserved  
                   00111111 =  $T_{CY} \cdot (ADCS<7:0> + 1) = 64 \cdot T_{CY} = TAD$   
                   •  
                   •  
                   •  
                   00000010 =  $T_{CY} \cdot (ADCS<7:0> + 1) = 3 \cdot T_{CY} = TAD$   
                   00000001 =  $T_{CY} \cdot (ADCS<7:0> + 1) = 2 \cdot T_{CY} = TAD$   
                   00000000 =  $T_{CY} \cdot (ADCS<7:0> + 1) = 1 \cdot T_{CY} = TAD$

**Note 1:** This bit is only used if SSRC<2:0> (AD1CON1<7:5>) = 1.  
**Note 2:** This bit is not used if ADRC (AD1CON3<15>) = 1.

# dsPIC33FJ16(GP/MC)101/102 AND dsPIC33FJ32(GP/MC)101/102/104

## REGISTER 19-4: AD1CHS123: ADC1 INPUT CHANNEL 1, 2, 3 SELECT REGISTER

|        |     |     |     |     |              |       |         |
|--------|-----|-----|-----|-----|--------------|-------|---------|
| U-0    | U-0 | U-0 | U-0 | U-0 | R/W-0        | R/W-0 | R/W-0   |
| —      | —   | —   | —   | —   | CH123NB<1:0> |       | CH123SB |
| bit 15 |     |     |     |     |              | bit 8 |         |

|       |     |     |     |     |              |       |         |
|-------|-----|-----|-----|-----|--------------|-------|---------|
| U-0   | U-0 | U-0 | U-0 | U-0 | R/W-0        | R/W-0 | R/W-0   |
| —     | —   | —   | —   | —   | CH123NA<1:0> |       | CH123SA |
| bit 7 |     |     |     |     |              | bit 0 |         |

### Legend:

R = Readable bit

W = Writable bit

U = Unimplemented bit, read as '0'

-n = Value at POR

'1' = Bit is set

'0' = Bit is cleared

x = Bit is unknown

bit 15-11 **Unimplemented:** Read as '0'

bit 10-9 **CH123NB<1:0>:** Channel 1, 2, 3 Negative Input Select for Sample B bits

#### **dsPIC33FJ16(GP/MC)101/102 Devices Only:**

11 = Reserved

10 = Reserved

0x = CH1, CH2, CH3 negative input is AVss

#### **dsPIC33FJ32(GP/MC)101/102 Devices Only:**

11 = CH1 negative input is AN9, CH2 negative input is AN10, CH3 negative input is not connected

10 = Reserved

0x = CH1, CH2, CH3 negative input is AVss

#### **dsPIC33FJ32(GP/MC)104 Devices Only:**

11 = CH1 negative input is AN9, CH2 negative input is AN10, CH3 negative input is AN11

10 = CH1 negative input is AN6, CH2 negative input is AN7, CH3 negative input is AN8

0x = CH1, CH2, CH3 negative input is AVss

bit 8 **CH123SB:** Channel 1, 2, 3 Positive Input Select for Sample B bit

#### **dsPIC33FJXX(GP/MC)101 Devices Only:**

1 = CH1 positive input is AN3, CH2 and CH3 positive inputs are not connected

0 = CH1 positive input is AN0, CH2 positive input is AN1, CH3 positive input is AN2

#### **All Other Devices:**

1 = CH1 positive input is AN3, CH2 positive input is AN4, CH3 positive input is AN5

0 = CH1 positive input is AN0, CH2 positive input is AN1, CH3 positive input is AN2

bit 7-3 **Unimplemented:** Read as '0'

bit 2-1 **CH123NA<1:0>:** Channel 1, 2, 3 Negative Input Select for Sample A bits

Refer to bits<10-9> for the available settings.

bit 0 **CH123SA:** Channel 1, 2, 3 Positive Input Select for Sample A bit

Refer to bit 8 for the available settings.



# dsPIC33FJ16(GP/MC)101/102 AND dsPIC33FJ32(GP/MC)101/102/104

**REGISTER 19-5: AD1CHS0: ADC1 INPUT CHANNEL 0 SELECT REGISTER**

|        |     |     |            |       |       |       |       |
|--------|-----|-----|------------|-------|-------|-------|-------|
| R/W-0  | U-0 | U-0 | R/W-0      | R/W-0 | R/W-0 | R/W-0 | R/W-0 |
| CH0NB  | —   | —   | CH0SB<4:0> |       |       |       |       |
| bit 15 |     |     |            |       |       |       | bit 8 |

|       |     |     |            |       |       |       |       |
|-------|-----|-----|------------|-------|-------|-------|-------|
| R/W-0 | U-0 | U-0 | R/W-0      | R/W-0 | R/W-0 | R/W-0 | R/W-0 |
| CH0NA | —   | —   | CH0SA<4:0> |       |       |       |       |
| bit 7 |     |     |            |       |       |       | bit 0 |

**Legend:**

R = Readable bit                      W = Writable bit                      U = Unimplemented bit, read as '0'  
 -n = Value at POR                      '1' = Bit is set                      '0' = Bit is cleared                      x = Bit is unknown

- bit 15            **CH0NB:** Channel 0 Negative Input Select for Sample B bit  
                   1 = Channel 0 negative input is AN1  
                   0 = Channel 0 negative input is AVss
- bit 14-13       **Unimplemented:** Read as '0'
- bit 12-8        **CH0SB<4:0>:** Channel 0 Positive Input Select for Sample B bits  
                   11111-10000 = Reserved; do not use  
                   01111 = Channel 0 positive input is AN15<sup>(2)</sup>  
                   01110 = No channels connected, all inputs floating (used for CTMU)  
                   01101 = Channel 0 positive input is connected to CTMU temperature sensor  
                   01100 = Channel 0 positive input is AN12<sup>(2)</sup>  
                   01011 = Channel 0 positive input is AN11<sup>(2)</sup>  
                   01010 = Channel 0 positive input is AN10<sup>(3)</sup>  
                   01001 = Channel 0 positive input is AN9<sup>(3)</sup>  
                   01000 = Channel 0 positive input is AN8<sup>(2)</sup>  
                   00111 = Channel 0 positive input is AN7<sup>(2)</sup>  
                   00110 = Channel 0 positive input is AN6<sup>(2)</sup>  
                   00101 = Channel 0 positive input is AN5<sup>(1)</sup>  
                   00100 = Channel 0 positive input is AN4<sup>(1)</sup>  
                   00011 = Channel 0 positive input is AN3  
                   00010 = Channel 0 positive input is AN2  
                   00001 = Channel 0 positive input is AN1  
                   00000 = Channel 0 positive input is AN0
- bit 7            **CH0NA:** Channel 0 Negative Input Select for Sample A bit  
                   1 = Channel 0 negative input is AN1  
                   0 = Channel 0 negative input is AVss
- bit 6-5        **Unimplemented:** Read as '0'
- bit 4-0        **CH0SA<4:0>:** Channel 0 Positive Input Select for Sample A bits  
                   Refer to bits<12-8> for the available settings.

- Note 1:** This setting is available on all devices, excluding the dsPIC33FJXX(GP/MC)101, where it is reserved.  
**Note 2:** This setting is available in the dsPIC33FJ32(GP/MC)104 devices only and is reserved in all other devices.  
**Note 3:** This setting is available on all devices, excluding the dsPIC33FJ16(GP/MC)101/102, where it is reserved.

# dsPIC33FJ16(GP/MC)101/102 AND dsPIC33FJ32(GP/MC)101/102/104

## REGISTER 19-6: AD1CSSL: ADC1 INPUT SCAN SELECT REGISTER LOW<sup>(1,2,3)</sup>

|                      |     |     |                      |                      |                      |                     |                     |
|----------------------|-----|-----|----------------------|----------------------|----------------------|---------------------|---------------------|
| R/W-0                | U-0 | U-0 | R/W-0                | R/W-0                | R/W-0                | R/W-0               | R/W-0               |
| CSS15 <sup>(4)</sup> | —   | —   | CSS12 <sup>(4)</sup> | CSS11 <sup>(4)</sup> | CSS10 <sup>(6)</sup> | CSS9 <sup>(6)</sup> | CSS8 <sup>(4)</sup> |
| bit 15               |     |     |                      |                      |                      |                     | bit 8               |

|                     |                     |                     |                     |       |       |       |       |
|---------------------|---------------------|---------------------|---------------------|-------|-------|-------|-------|
| R/W-0               | R/W-0               | R/W-0               | R/W-0               | R/W-0 | R/W-0 | R/W-0 | R/W-0 |
| CSS7 <sup>(4)</sup> | CSS6 <sup>(4)</sup> | CSS5 <sup>(5)</sup> | CSS4 <sup>(5)</sup> | CSS3  | CSS2  | CSS1  | CSS0  |
| bit 7               |                     |                     |                     |       |       |       | bit 0 |

### Legend:

R = Readable bit                      W = Writable bit                      U = Unimplemented bit, read as '0'  
 -n = Value at POR                      '1' = Bit is set                      '0' = Bit is cleared                      x = Bit is unknown

- bit 15                      **CSS15:** ADC Input Scan Selection bit<sup>(4)</sup>  
                                     1 = Selects ANx for input scan  
                                     0 = Skips ANx for input scan
- bit 14-13                      **Unimplemented:** Read as '0'
- bit 12-0                      **CSS<12:0>:** ADC Input Scan Selection bits<sup>(4,5,6)</sup>  
                                     1 = Selects ANx for input scan  
                                     0 = Skips ANx for input scan

- Note 1:** On devices without 14 analog inputs, all AD1CSSL bits can be selected by the user application. However, inputs selected for scan without a corresponding input on the device converts VREFL.
- 2:** CSSx = ANx, where x = 0 through 12 and 15.
- 3:** CTMU temperature sensor input cannot be scanned.
- 4:** The CSS<15,12:11,8:6> bits are available in the dsPIC33FJ32(GP/MC)104 devices only and are reserved in all other devices.
- 5:** The CSS<5:4> bits are available on all devices, excluding the dsPIC33FJXX(GP/MC)101 devices, where they are reserved.
- 6:** The CSS<10:9> bits are available on all devices, excluding the dsPIC33FJ16(GP/MC)101/102 devices, where they are reserved.

# dsPIC33FJ16(GP/MC)101/102 AND dsPIC33FJ32(GP/MC)101/102/104

## REGISTER 19-7: AD1PCFGL: ADC1 PORT CONFIGURATION REGISTER LOW<sup>(1,2,3)</sup>

|                         |     |     |                         |                         |                         |                        |                        |
|-------------------------|-----|-----|-------------------------|-------------------------|-------------------------|------------------------|------------------------|
| R/W-0                   | U-0 | U-0 | R/W-0                   | R/W-0                   | R/W-0                   | R/W-0                  | R/W-0                  |
| PCFG15 <sup>(4,5)</sup> | —   | —   | PCFG12 <sup>(4,5)</sup> | PCFG11 <sup>(4,5)</sup> | PCFG10 <sup>(4,7)</sup> | PCFG9 <sup>(4,7)</sup> | PCFG8 <sup>(4,5)</sup> |
| bit 15                  |     |     |                         |                         |                         |                        | bit 8                  |

|                        |                        |                        |                        |                      |                      |                      |                      |
|------------------------|------------------------|------------------------|------------------------|----------------------|----------------------|----------------------|----------------------|
| R/W-0                  | R/W-0                  | R/W-0                  | R/W-0                  | R/W-0                | R/W-0                | R/W-0                | R/W-0                |
| PCFG7 <sup>(4,5)</sup> | PCFG6 <sup>(4,5)</sup> | PCFG5 <sup>(4,6)</sup> | PCFG4 <sup>(4,6)</sup> | PCFG3 <sup>(4)</sup> | PCFG2 <sup>(4)</sup> | PCFG1 <sup>(4)</sup> | PCFG0 <sup>(4)</sup> |
| bit 7                  |                        |                        |                        |                      |                      |                      | bit 0                |

### Legend:

R = Readable bit                      W = Writable bit                      U = Unimplemented bit, read as '0'  
 -n = Value at POR                      '1' = Bit is set                      '0' = Bit is cleared                      x = Bit is unknown

- bit 15                      **PCFG15:** ADC Port Configuration Control bit<sup>(4,5)</sup>  
                                  1 = Port pin is in Digital mode, port read input is enabled, ADC input multiplexer is connected to AVss  
                                  0 = Port pin is in Analog mode, port read input is disabled, ADC samples pin voltage
- bit 14-13                      **Unimplemented:** Read as '0'
- bit 12-0                      **PCFG<12:0>:** ADC Port Configuration Control bits<sup>(4,5,6,7)</sup>  
                                  1 = Port pin is in Digital mode, port read input is enabled, ADC input multiplexer is connected to AVss  
                                  0 = Port pin is in Analog mode, port read input is disabled, ADC samples pin voltage

- Note 1:** On devices without 14 analog inputs, all PCFG bits are R/W by user. However, PCFGx bits are ignored on ports without a corresponding input on the device.
- 2:** PCFGx = ANx, where x = 0 through 12, and 15.
- 3:** The PCFGx bits have no effect if the ADC module is disabled by setting the AD1MD bit in the PMD1 register. When the bit is set, all port pins that have been multiplexed with ANx will be in Digital mode.
- 4:** Pins shared with analog functions (i.e., ANx) are analog by default and therefore, must be set by the user to enable any digital function on that pin. Reading any port pin with the analog function enabled will return a '0', regardless of the signal input level.
- 5:** The PCFG<15,12:11,8:6> bits are available in the dsPIC33FJ32(GP/MC)104 devices only and are reserved in all other devices.
- 6:** The PCFG<5:4> bits are available on all devices, excluding the dsPIC33FJXX(GP/MC)101 devices, where they are reserved.
- 7:** The PCFG<10:9> bits are available on all devices, excluding the dsPIC33FJ16(GP/MC)101/102 devices, where they are reserved.

NOTES:

## 20.0 COMPARATOR MODULE

**Note 1:** This data sheet summarizes the features of the dsPIC33FJ16(GP/MC)101/102 and dsPIC33FJ32(GP/MC)101/102/104 device families. It is not intended to be a comprehensive reference source. To complement the information in this data sheet, refer to **Section 54. “Comparator with Blanking”** (DS70647) of the “dsPIC33F/PIC24H Family Reference Manual”, which is available from the Microchip web site ([www.microchip.com](http://www.microchip.com)).

**2:** Some registers and associated bits described in this section may not be available on all devices. Refer to **Section 4.0 “Memory Organization”** in this data sheet for device-specific register and bit information.

The comparator module provides three comparators that can be configured in different ways. As shown in **Figure 20-1**, individual comparator options are specified by the comparator module’s Special Function Register (SFR) control bits.

These options allow users to:

- Select the edge for trigger and interrupt generation
- Select low-power control
- Configure the comparator voltage reference and band gap
- Configure output blanking and masking

The comparator operating mode is determined by the input selections (i.e., whether the input voltage is compared to a second input voltage) to an internal voltage reference.

**FIGURE 20-1: COMPARATOR I/O OPERATING MODES**

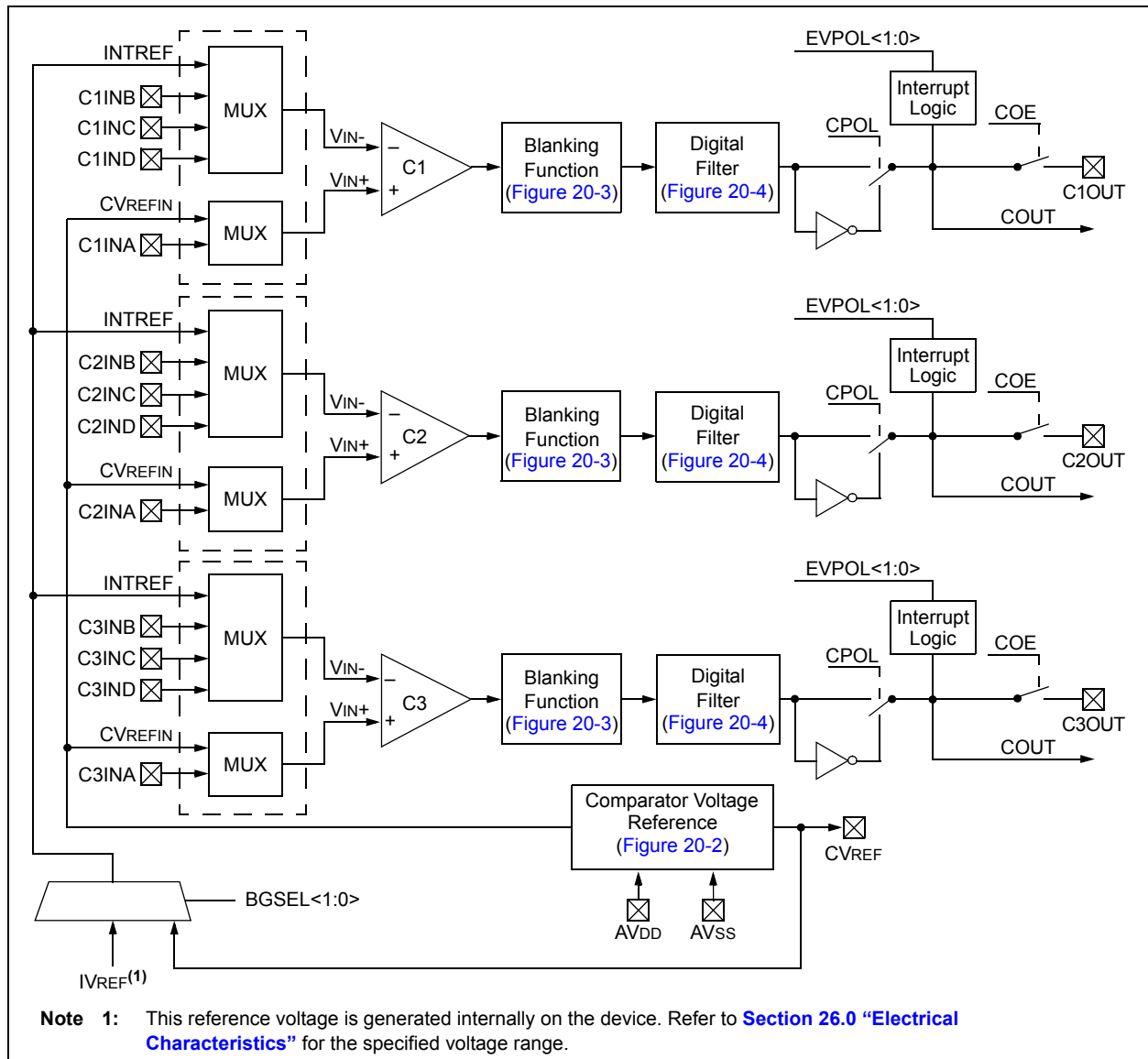


FIGURE 20-2: COMPARATOR VOLTAGE REFERENCE BLOCK DIAGRAM



FIGURE 20-3: USER-PROGRAMMABLE BLANKING FUNCTION BLOCK DIAGRAM



FIGURE 20-4: DIGITAL FILTER INTERCONNECT BLOCK DIAGRAM



# dsPIC33FJ16(GP/MC)101/102 AND dsPIC33FJ32(GP/MC)101/102/104

## 20.1 Comparator Control Registers

### REGISTER 20-1: CMSTAT: COMPARATOR STATUS REGISTER

|        |     |     |     |     |       |       |       |
|--------|-----|-----|-----|-----|-------|-------|-------|
| R/W-0  | U-0 | U-0 | U-0 | U-0 | R-0   | R-0   | R-0   |
| CMSIDL | —   | —   | —   | —   | C3EVT | C2EVT | C1EVT |
| bit 15 |     |     |     |     | bit 8 |       |       |

|       |     |     |     |     |       |       |       |
|-------|-----|-----|-----|-----|-------|-------|-------|
| U-0   | U-0 | U-0 | U-0 | U-0 | R-0   | R-0   | R-0   |
| —     | —   | —   | —   | —   | C3OUT | C2OUT | C1OUT |
| bit 7 |     |     |     |     | bit 0 |       |       |

#### Legend:

R = Readable bit

W = Writable bit

U = Unimplemented bit, read as '0'

-n = Value at POR

'1' = Bit is set

'0' = Bit is cleared

x = Bit is unknown

- bit 15      **CMSIDL:** Comparator Stop in Idle Mode bit  
 1 = Discontinues operation of all comparators when device enters Idle mode  
 0 = Continues operation of all comparators in Idle mode
- bit 14-11    **Unimplemented:** Read as '0'
- bit 10      **C3EVT:** Comparator 3 Event Status bit  
 1 = Comparator event occurred  
 0 = Comparator event did not occur
- bit 9        **C2EVT:** Comparator 2 Event Status bit  
 1 = Comparator event occurred  
 0 = Comparator event did not occur
- bit 8        **C1EVT:** Comparator 1 Event Status bit  
 1 = Comparator event occurred  
 0 = Comparator event did not occur
- bit 7-3      **Unimplemented:** Read as '0'
- bit 2        **C3OUT:** Comparator 3 Output Status bit  
When CPOL = 0:  
 1 =  $V_{IN+} > V_{IN-}$   
 0 =  $V_{IN+} < V_{IN-}$   
When CPOL = 1:  
 1 =  $V_{IN+} < V_{IN-}$   
 0 =  $V_{IN+} > V_{IN-}$
- bit 1        **C2OUT:** Comparator 2 Output Status bit  
When CPOL = 0:  
 1 =  $V_{IN+} > V_{IN-}$   
 0 =  $V_{IN+} < V_{IN-}$   
When CPOL = 1:  
 1 =  $V_{IN+} < V_{IN-}$   
 0 =  $V_{IN+} > V_{IN-}$
- bit 0        **C1OUT:** Comparator 1 Output Status bit  
When CPOL = 0:  
 1 =  $V_{IN+} > V_{IN-}$   
 0 =  $V_{IN+} < V_{IN-}$   
When CPOL = 1:  
 1 =  $V_{IN+} < V_{IN-}$   
 0 =  $V_{IN+} > V_{IN-}$



# dsPIC33FJ16(GP/MC)101/102 AND dsPIC33FJ32(GP/MC)101/102/104

## REGISTER 20-2: CMxCON: COMPARATOR x CONTROL REGISTER

|        |       |       |     |     |     |       |       |
|--------|-------|-------|-----|-----|-----|-------|-------|
| R/W-0  | R/W-0 | R/W-0 | U-0 | U-0 | U-0 | R/W-0 | R/W-0 |
| CON    | COE   | CPOL  | —   | —   | —   | CEVT  | COUT  |
| bit 15 |       |       |     |     |     |       | bit 8 |

|            |       |     |       |     |     |          |       |
|------------|-------|-----|-------|-----|-----|----------|-------|
| R/W-0      | R/W-0 | U-0 | R/W-0 | U-0 | U-0 | R/W-0    | R/W-0 |
| EVPOL<1:0> |       | —   | CREF  | —   | —   | CCH<1:0> |       |
| bit 7      |       |     |       |     |     |          | bit 0 |

### Legend:

R = Readable bit                      W = Writable bit                      U = Unimplemented bit, read as '0'  
 -n = Value at POR                      '1' = Bit is set                      '0' = Bit is cleared                      x = Bit is unknown

- bit 15            **CON:** Comparator Enable bit  
                   1 = Comparator is enabled  
                   0 = Comparator is disabled
- bit 14            **COE:** Comparator Output Enable bit  
                   1 = Comparator output is present on the CxOUT pin  
                   0 = Comparator output is internal only
- bit 13            **CPOL:** Comparator Output Polarity Select bit  
                   1 = Comparator output is inverted  
                   0 = Comparator output is not inverted
- bit 12-10        **Unimplemented:** Read as '0'
- bit 9             **CEVT:** Comparator Event bit  
                   1 = Comparator event according to EVPOL<1:0> settings occurred; disables future triggers and interrupts until the bit is cleared  
                   0 = Comparator event did not occur
- bit 8             **COUT:** Comparator Output bit  
                   When CPOL = 0 (non-inverted polarity):  
                   1 =  $V_{IN+} > V_{IN-}$   
                   0 =  $V_{IN+} < V_{IN-}$   
                   When CPOL = 1 (inverted polarity):  
                   1 =  $V_{IN+} < V_{IN-}$   
                   0 =  $V_{IN+} > V_{IN-}$
- bit 7-6          **EVPOL<1:0>:** Trigger/Event/Interrupt Polarity Select bits  
                   11 = Trigger/event/interrupt is generated on any change of the comparator output (while CEVT = 0)  
                   10 = Trigger/event/interrupt is generated only on high-to-low transition of the polarity selected comparator output (while CEVT = 0)  
                   If CPOL = 1 (inverted polarity):  
                   Low-to-high transition of the comparator output.  
                   If CPOL = 0 (non-inverted polarity):  
                   High-to-low transition of the comparator output.  
                   01 = Trigger/event/interrupt is generated only on low-to-high transition of the polarity-selected comparator output (while CEVT = 0)  
                   If CPOL = 1 (inverted polarity):  
                   High-to-low transition of the comparator output.  
                   If CPOL = 0 (non-inverted polarity):  
                   Low-to-high transition of the comparator output.  
                   00 = Trigger/event/interrupt generation is disabled
- bit 5             **Unimplemented:** Read as '0'

## REGISTER 20-2: CMxCON: COMPARATOR x CONTROL REGISTER (CONTINUED)

- bit 4           **CREF:** Comparator Reference Select bit (VIN+ input)  
                  1 = VIN+ input connects to internal CVREFIN voltage  
                  0 = VIN+ input connects to CxINA pin
- bit 3-2        **Unimplemented:** Read as '0'
- bit 1-0        **CCH<1:0>:** Comparator Channel Select bits  
                  11 = VIN- input of comparator connects to INTREF  
                  10 = VIN- input of comparator connects to CxIND pin  
                  01 = VIN- input of comparator connects to CxINC pin  
                  00 = VIN- input of comparator connects to CxINB pin

# dsPIC33FJ16(GP/MC)101/102 AND dsPIC33FJ32(GP/MC)101/102/104

## REGISTER 20-3: CMxMSKSRG: COMPARATOR x MASK SOURCE SELECT REGISTER

|        |     |     |     |              |       |       |      |
|--------|-----|-----|-----|--------------|-------|-------|------|
| U-0    | U-0 | U-0 | U-0 | R/W-0        | R/W-0 | R/W-0 | RW-0 |
| —      | —   | —   | —   | SELSRCC<3:0> |       |       |      |
| bit 15 |     |     |     | bit 8        |       |       |      |

|              |       |       |       |              |       |       |       |
|--------------|-------|-------|-------|--------------|-------|-------|-------|
| R/W-0        | R/W-0 | R/W-0 | R/W-0 | R/W-0        | R/W-0 | R/W-0 | R/W-0 |
| SELSRCB<3:0> |       |       |       | SELSRCA<3:0> |       |       |       |
| bit 7        |       |       |       | bit 0        |       |       |       |

### Legend:

R = Readable bit                      W = Writable bit                      U = Unimplemented bit, read as '0'  
-n = Value at POR                      '1' = Bit is set                      '0' = Bit is cleared                      x = Bit is unknown

- bit 15-12            **Unimplemented:** Read as '0'
- bit 11-8            **SELSRCC<3:0>:** Mask C Input Select bits
- 1111 = Reserved
  - 1110 = Reserved
  - 1101 = Reserved
  - 1100 = Reserved
  - 1011 = Reserved
  - 1010 = Reserved
  - 1001 = Reserved
  - 1000 = Reserved
  - 0111 = Reserved
  - 0110 = Reserved
  - 0101 = PWM1H3
  - 0100 = PWM1L3
  - 0011 = PWM1H2
  - 0010 = PWM1L2
  - 0001 = PWM1H1
  - 0000 = PWM1L1
- bit 7-4             **SELSRCB<3:0>:** Mask B Input Select bits
- 1111 = Reserved
  - 1110 = Reserved
  - 1101 = Reserved
  - 1100 = Reserved
  - 1011 = Reserved
  - 1010 = Reserved
  - 1001 = Reserved
  - 1000 = Reserved
  - 0111 = Reserved
  - 0110 = Reserved
  - 0101 = PWM1H3
  - 0100 = PWM1L3
  - 0011 = PWM1H2
  - 0010 = PWM1L2
  - 0001 = PWM1H1
  - 0000 = PWM1L1

## REGISTER 20-3: CMxMKSRC: COMPARATOR x MASK SOURCE SELECT REGISTER (CONTINUED)

bit 3-0      **SELSRCA<3:0>**: Mask A Input Select bits

- 1111 = Reserved
- 1110 = Reserved
- 1101 = Reserved
- 1100 = Reserved
- 1011 = Reserved
- 1010 = Reserved
- 1001 = Reserved
- 1000 = Reserved
- 0111 = Reserved
- 0110 = Reserved
- 0101 = PWM1H3
- 0100 = PWM1L3
- 0011 = PWM1H2
- 0010 = PWM1L2
- 0001 = PWM1H1
- 0000 = PWM1L1

# dsPIC33FJ16(GP/MC)101/102 AND dsPIC33FJ32(GP/MC)101/102/104

## REGISTER 20-4: CMxMSKCON: COMPARATOR x MASK GATING CONTROL REGISTER

|        |     |       |       |       |       |       |       |
|--------|-----|-------|-------|-------|-------|-------|-------|
| R/W-0  | U-0 | R/W-0 | R/W-0 | R/W-0 | R/W-0 | R/W-0 | R/W-0 |
| HLMS   | —   | OCEN  | OCNEN | OBEN  | OBNEN | OAEN  | OANEN |
| bit 15 |     |       |       |       |       | bit 8 |       |

|       |       |       |       |       |       |       |       |
|-------|-------|-------|-------|-------|-------|-------|-------|
| R/W-0 | R/W-0 | R/W-0 | R/W-0 | R/W-0 | R/W-0 | R/W-0 | R/W-0 |
| NAGS  | PAGS  | ACEN  | ACNEN | ABEN  | ABNEN | AAEN  | AANEN |
| bit 7 |       |       |       |       |       | bit 0 |       |

### Legend:

R = Readable bit                      W = Writable bit                      U = Unimplemented bit, read as '0'  
 -n = Value at POR                      '1' = Bit is set                      '0' = Bit is cleared                      x = Bit is unknown

- bit 15            **HLMS:** High or Low Level Masking Select bits  
                   1 = The masking (blinking) function will prevent any asserted ('0') comparator signal from propagating  
                   0 = The masking (blinking) function will prevent any asserted ('1') comparator signal from propagating
- bit 14            **Unimplemented:** Read as '0'
- bit 13            **OCEN:** OR Gate C Input Inverted Enable bit  
                   1 = MCI is connected to OR gate  
                   0 = MCI is not connected to OR gate
- bit 12            **OCNEN:** OR Gate C Input Inverted Enable bit  
                   1 = Inverted MCI is connected to OR gate  
                   0 = Inverted MCI is not connected to OR gate
- bit 11            **OBEN:** OR Gate B Input Inverted Enable bit  
                   1 = MBI is connected to OR gate  
                   0 = MBI is not connected to OR gate
- bit 10            **OBNEN:** OR Gate B Input Inverted Enable bit  
                   1 = Inverted MBI is connected to OR gate  
                   0 = Inverted MBI is not connected to OR gate
- bit 9             **OAEN:** OR Gate A Input Enable bit  
                   1 = MAI is connected to OR gate  
                   0 = MAI is not connected to OR gate
- bit 8             **OANEN:** OR Gate A Input Inverted Enable bit  
                   1 = Inverted MAI is connected to OR gate  
                   0 = Inverted MAI is not connected to OR gate
- bit 7             **NAGS:** Negative AND Gate Output Select  
                   1 = Inverted ANDI is connected to OR gate  
                   0 = Inverted ANDI is not connected to OR gate
- bit 6             **PAGS:** Positive AND Gate Output Select  
                   1 = ANDI is connected to OR gate  
                   0 = ANDI is not connected to OR gate
- bit 5             **ACEN:** AND Gate A1 C Input Inverted Enable bit  
                   1 = MCI is connected to AND gate  
                   0 = MCI is not connected to AND gate
- bit 4             **ACNEN:** AND Gate A1 C Input Inverted Enable bit  
                   1 = Inverted MCI is connected to AND gate  
                   0 = Inverted MCI is not connected to AND gate

## REGISTER 20-4: CMxMSKCON: COMPARATOR x MASK GATING CONTROL REGISTER (CONTINUED)

- bit 3      **ABEN:** AND Gate A1 B Input Inverted Enable bit  
1 = MBI is connected to AND gate  
0 = MBI is not connected to AND gate
- bit 2      **ABNEN:** AND Gate A1 B Input Inverted Enable bit  
1 = Inverted MBI is connected to AND gate  
0 = Inverted MBI is not connected to AND gate
- bit 1      **AAEN:** AND Gate A1 A Input Enable bit  
1 = MAI is connected to AND gate  
0 = MAI is not connected to AND gate
- bit 0      **AANEN:** AND Gate A1 A Input Inverted Enable bit  
1 = Inverted MAI is connected to AND gate  
0 = Inverted MAI is not connected to AND gate

# dsPIC33FJ16(GP/MC)101/102 AND dsPIC33FJ32(GP/MC)101/102/104

## REGISTER 20-5: CMxFLTR: COMPARATOR x FILTER CONTROL REGISTER

|        |     |     |     |     |     |       |     |
|--------|-----|-----|-----|-----|-----|-------|-----|
| U-0    | U-0 | U-0 | U-0 | U-0 | U-0 | U-0   | U-0 |
| —      | —   | —   | —   | —   | —   | —     | —   |
| bit 15 |     |     |     |     |     | bit 8 |     |

|       |            |       |       |         |            |       |       |
|-------|------------|-------|-------|---------|------------|-------|-------|
| U-0   | R/W-0      | R/W-0 | R/W-0 | R/W-0   | R/W-0      | R/W-0 | R/W-0 |
| —     | CFSEL<2:0> |       |       | CFLTREN | CFDIV<2:0> |       |       |
| bit 7 |            |       |       |         |            | bit 0 |       |

### Legend:

R = Readable bit                      W = Writable bit                      U = Unimplemented bit, read as '0'  
-n = Value at POR                      '1' = Bit is set                      '0' = Bit is cleared                      x = Bit is unknown

- bit 15-7            **Unimplemented:** Read as '0'
- bit 6-4            **CFSEL<2:0>:** Comparator Filter Input Clock Select bits
  - 111 = Reserved
  - 110 = Reserved
  - 101 = Timer3
  - 100 = Timer2
  - 011 = Reserved
  - 010 = PWM Special Event Trigger
  - 001 = FOSC
  - 000 = FCY
- bit 3              **CFLTREN:** Comparator Filter Enable bit
  - 1 = Digital filter is enabled
  - 0 = Digital filter is disabled
- bit 2-0            **CFDIV<2:0>:** Comparator Filter Clock Divide Select bits
  - 111 = Clock Divide 1:128
  - 110 = Clock Divide 1:64
  - 101 = Clock Divide 1:32
  - 100 = Clock Divide 1:16
  - 011 = Clock Divide 1:8
  - 010 = Clock Divide 1:4
  - 001 = Clock Divide 1:2
  - 000 = Clock Divide 1:1

# dsPIC33FJ16(GP/MC)101/102 AND dsPIC33FJ32(GP/MC)101/102/104

## REGISTER 20-6: CVRCON: COMPARATOR VOLTAGE REFERENCE CONTROL REGISTER

|        |     |     |     |     |         |            |       |
|--------|-----|-----|-----|-----|---------|------------|-------|
| U-0    | U-0 | U-0 | U-0 | U-0 | R/W-0   | R/W-0      | R/W-0 |
| —      | —   | —   | —   | —   | VREFSEL | BGSEL<1:0> |       |
| bit 15 |     |     |     |     | bit 8   |            |       |

|       |                      |       |     |          |       |       |       |
|-------|----------------------|-------|-----|----------|-------|-------|-------|
| R/W-0 | R/W-0                | R/W-0 | U-0 | R/W-0    | R/W-0 | R/W-0 | R/W-0 |
| CVREN | CVROE <sup>(1)</sup> | CVRR  | —   | CVR<3:0> |       |       |       |
| bit 7 |                      |       |     | bit 0    |       |       |       |

### Legend:

R = Readable bit

W = Writable bit

U = Unimplemented bit, read as '0'

-n = Value at POR

'1' = Bit is set

'0' = Bit is cleared

x = Bit is unknown

bit 15-11 **Unimplemented:** Read as '0'

bit 10 **VREFSEL:** Voltage Reference Select bit

1 = CVREFIN = CVREF pin

0 = CVREFIN is generated by the resistor network

bit 9-8 **BGSEL<1:0>:** Band Gap Reference Source Select bits

11 = INTREF = CVREF pin

10 = INTREF = 1.2V (nominal)<sup>(2)</sup>

0x = Reserved

bit 7 **CVREN:** Comparator Voltage Reference Enable bit

1 = Comparator voltage reference circuit is powered on

0 = Comparator voltage reference circuit is powered down

bit 6 **CVROE:** Comparator Voltage Reference Output Enable bit<sup>(1)</sup>

1 = Voltage level is output on CVREF pin

0 = Voltage level is disconnected from CVREF pin

bit 5 **CVRR:** Comparator Voltage Reference Range Selection bit

1 = CVRSRC/24 step-size

0 = CVRSRC/32 step-size

bit 4 **Unimplemented:** Read as '0'

bit 3-0 **CVR<3:0>:** Comparator Voltage Reference Value Selection  $0 \leq \text{CVR}<3:0> \leq 15$  bits

When CVRR = 1:

$$\text{CVREFIN} = (\text{CVR}<3:0>/24) \cdot (\text{CVRSRC})$$

When CVRR = 0:

$$\text{CVREFIN} = 1/4 \cdot (\text{CVRSRC}) + (\text{CVR}<3:0>/32) \cdot (\text{CVRSRC})$$

**Note 1:** CVROE overrides the TRIS bit setting.

**Note 2:** This reference voltage is generated internally on the device. Refer to [Section 26.0 “Electrical Characteristics”](#) for the specified voltage range.



## 21.0 REAL-TIME CLOCK AND CALENDAR (RTCC)

**Note 1:** This data sheet summarizes the features of the dsPIC33FJ16(GP/MC)101/102 and dsPIC33FJ32(GP/MC)101/102/104 device families of devices. It is not intended to be a comprehensive reference source. To complement the information in this data sheet, refer to **Section 37. “Real-Time Clock and Calendar (RTCC)”** (DS70310) in the “dsPIC33F/PIC24H Family Reference Manual”, which is available on the Microchip web site ([www.microchip.com](http://www.microchip.com)).

**2:** Some registers and associated bits described in this section may not be available on all devices. Refer to **Section 4.0 “Memory Organization”** in this data sheet for device-specific register and bit information.

This chapter discusses the Real-Time Clock and Calendar (RTCC) module, available on dsPIC33FJ16(GP/MC)101/102 and dsPIC33FJ32(GP/MC)101/102/104 devices, and its operation.

Some of the key features of the RTCC module are:

- Time: hours, minutes and seconds
- 24-hour format (military time)
- Calendar: weekday, date, month and year
- Alarm configurable
- Year range: 2000 to 2099
- Leap year correction
- BCD format for compact firmware
- Optimized for low-power operation
- User calibration with auto-adjust
- Calibration range:  $\pm 2.64$  seconds error per month
- Requirements: external 32.768 kHz clock crystal
- Alarm pulse or seconds clock output on RTCC pin

The RTCC module is intended for applications where accurate time must be maintained for extended periods of time with minimum to no intervention from the CPU. The RTCC module is optimized for low-power usage to provide extended battery lifetime while keeping track of time.

The RTCC module is a 100-year clock and calendar with automatic leap year detection. The range of the clock is from 00:00:00 (midnight) on January 1, 2000 to 23:59:59 on December 31, 2099.

The hours are available in 24-hour (military time) format. The clock provides a granularity of one second with half-second visibility to the user.

**FIGURE 21-1: RTCC BLOCK DIAGRAM**



## 21.1 RTCC Module Registers

The RTCC module registers are organized into three categories:

- RTCC Control Registers
- RTCC Value Registers
- Alarm Value Registers

### 21.1.1 REGISTER MAPPING

To limit the register interface, the RTCC Timer and Alarm Time registers are accessed through corresponding register pointers. The RTCC Value register window (RTCVALH and RTCVALL) uses the RTCPTR bits (RCFGCAL<9:8>) to select the desired Timer register pair (see [Table 21-1](#)).

By writing the RTCVALH byte, the RTCC Pointer value (RTCPTR<1:0> bits) decrements by one until it reaches '00'. Once it reaches '00', the MINUTES and SECONDS value will be accessible through RTCVALH and RTCVALL until the pointer value is manually changed.

**TABLE 21-1: RTCVAL REGISTER MAPPING**

| RTCPTR<br><1:0> | RTCC Value Register Window |             |
|-----------------|----------------------------|-------------|
|                 | RTCVAL<15:8>               | RTCVAL<7:0> |
| 00              | MINUTES                    | SECONDS     |
| 01              | WEEKDAY                    | HOURS       |
| 10              | MONTH                      | DAY         |
| 11              | —                          | YEAR        |

The Alarm Value register window (ALRMVALH and ALRMVALL) uses the ALRMPTR bits (ALCFGRTPT<9:8>) to select the desired Alarm register pair (see [Table 21-2](#)).

By writing the ALRMVALH byte, the Alarm Pointer value (ALRMPTR<1:0> bits) decrements by one until it reaches '00'. Once it reaches '00', the ALRMMIN and ALRMSEC value will be accessible through ALRMVALH and ALRMVALL until the pointer value is manually changed.

**TABLE 21-2: ALRMVAL REGISTER MAPPING**

| ALRMPTR<br><1:0> | Alarm Value Register Window |              |
|------------------|-----------------------------|--------------|
|                  | ALRMVAL<15:8>               | ALRMVAL<7:0> |
| 00               | ALRMMIN                     | ALRMSEC      |
| 01               | ALRMWD                      | ALRMHR       |
| 10               | ALRMMNTH                    | ALRMDAY      |
| 11               | —                           | —            |

Considering that the 16-bit core does not distinguish between 8-bit and 16-bit read operations, the user must be aware that when reading either the ALRMVALH or ALRMVALL, bytes will decrement the ALRMPTR<1:0> value. The same applies to the RTCVALH or RTCVALL bytes with the RTCPTR<1:0> being decremented.

**Note:** This only applies to read operations and not write operations.

### 21.1.2 WRITE LOCK

In order to perform a write to any of the RTCC Timer registers, the RTCWREN bit (RCFGCAL<13>) must be set (refer to [Example 21-1](#)).

**Note:** To avoid accidental writes to the timer, it is recommended that the RTCWREN bit (RCFGCAL<13>) is kept clear at any other time. For the RTCWREN bit to be set, there is only 1 instruction cycle time window allowed between the 55h/AA sequence and the setting of RTCWREN; therefore, it is recommended that code follow the procedure in [Example 21-1](#).

**EXAMPLE 21-1: SETTING THE RTCWREN BIT**

```

MOV    #NVMKEY, W1      ;move the address of NVMKEY into W1
MOV    #0x55, W2
MOV    #0xAA, W3
MOV    W2, [W1]         ;start 55/AA sequence
MOV    W3, [W1]
BSET   RCFGCAL, #13     ;set the RTCWREN bit
    
```

## 21.2 RTCC Control Registers

### REGISTER 21-1: RCFGAL: RTCC CALIBRATION AND CONFIGURATION REGISTER<sup>(1)</sup>

|                      |       |         |         |                        |       |             |       |
|----------------------|-------|---------|---------|------------------------|-------|-------------|-------|
| R/W-0                | U-0   | R/W-0   | R-0     | R-0                    | R/W-0 | R/W-0       | R/W-0 |
| RTCEN <sup>(2)</sup> | —     | RTCWREN | RTCSYNC | HALFSEC <sup>(3)</sup> | RTCOE | RTCPTR<1:0> |       |
| bit 15               |       |         |         |                        |       |             | bit 8 |
|                      |       |         |         |                        |       |             |       |
| R/W-0                | R/W-0 | R/W-0   | R/W-0   | R/W-0                  | R/W-0 | R/W-0       | R/W-0 |
| CAL<7:0>             |       |         |         |                        |       |             |       |
| bit 7                |       |         |         |                        |       |             | bit 0 |

**Legend:**

|                   |                  |  |
|-------------------|------------------|--|
| R = Readable bit  | W = Writable bit | U = Unimplemented bit, read as '0'           |
| -n = Value at POR | '1' = Bit is set | '0' = Bit is cleared      x = Bit is unknown |

- bit 15      **RTCEN:** RTCC Enable bit<sup>(2)</sup>  
 1 = RTCC module is enabled  
 0 = RTCC module is disabled
- bit 14      **Unimplemented:** Read as '0'
- bit 13      **RTCWREN:** RTCC Value Registers Write Enable bit  
 1 = RTCVALH and RTCVALL registers can be written to by the user  
 0 = RTCVALH and RTCVALL registers are locked out from being written to by the user
- bit 12      **RTCSYNC:** RTCC Value Registers Read Synchronization bit  
 1 = RTCVALH, RTCVALL and ALCFGRPT registers can change while reading, due to a rollover ripple, resulting in an invalid data read. If the register is read twice and the results are the same data, the data can be assumed to be valid.  
 0 = RTCVALH, RTCVALL or ALCFGRPT registers can be read without concern over a rollover ripple
- bit 11      **HALFSEC:** Half-Second Status bit<sup>(3)</sup>  
 1 = Second half period of a second  
 0 = First half period of a second
- bit 10      **RTCOE:** RTCC Output Enable bit  
 1 = RTCC output is enabled  
 0 = RTCC output is disabled
- bit 9-8      **RTCPTR<1:0>:** RTCC Value Register Window Pointer bits  
 Points to the corresponding RTCC Value registers when reading RTCVALH and RTCVALL registers; the RTCPTR<1:0> value decrements on every read or write of RTCVALH until it reaches '00'.  
RTCVAL<15:8>:  
 00 = MINUTES  
 01 = WEEKDAY  
 10 = MONTH  
 11 = Reserved  
RTCVAL<7:0>:  
 00 = SECONDS  
 01 = HOURS  
 10 = DAY  
 11 = YEAR

- Note 1:** The RCFGAL register is only affected by a POR.  
**Note 2:** A write to the RTCEN bit is only allowed when RTCWREN = 1.  
**Note 3:** This bit is read-only; it is cleared to '0' on a write to the lower half of the MINSEC register.

# dsPIC33FJ16(GP/MC)101/102 AND dsPIC33FJ32(GP/MC)101/102/104

---

## REGISTER 21-1: RCFGAL: RTCC CALIBRATION AND CONFIGURATION REGISTER<sup>(1)</sup> (CONTINUED)

bit 7-0      **CAL<7:0>**: RTC Drift Calibration bits

- 01111111 = Maximum positive adjustment; adds 508 RTC clock pulses every one minute
- 
- 
- 
- 00000001 = Minimum positive adjustment; adds 4 RTC clock pulses every one minute
- 00000000 = No adjustment
- 11111111 = Minimum negative adjustment; subtracts 4 RTC clock pulses every one minute
- 
- 
- 
- 10000000 = Maximum negative adjustment; subtracts 512 RTC clock pulses every one minute

- Note 1:** The RCFGAL register is only affected by a POR.  
**2:** A write to the RTCEN bit is only allowed when RTCWREN = 1.  
**3:** This bit is read-only; it is cleared to '0' on a write to the lower half of the MINSEC register.

# dsPIC33FJ16(GP/MC)101/102 AND dsPIC33FJ32(GP/MC)101/102/104

## REGISTER 21-2: PADCFG1: PAD CONFIGURATION CONTROL REGISTER

|        |     |     |     |     |     |     |       |
|--------|-----|-----|-----|-----|-----|-----|-------|
| U-0    | U-0 | U-0 | U-0 | U-0 | U-0 | U-0 | U-0   |
| —      | —   | —   | —   | —   | —   | —   | —     |
| bit 15 |     |     |     |     |     |     | bit 8 |

|       |     |     |     |     |     |                         |       |
|-------|-----|-----|-----|-----|-----|-------------------------|-------|
| U-0   | U-0 | U-0 | U-0 | U-0 | U-0 | R/W-0                   | U-0   |
| —     | —   | —   | —   | —   | —   | RTSECSEL <sup>(1)</sup> | —     |
| bit 7 |     |     |     |     |     |                         | bit 0 |

### Legend:

R = Readable bit

W = Writable bit

U = Unimplemented bit, read as '0'

-n = Value at POR

'1' = Bit is set

'0' = Bit is cleared

x = Bit is unknown

bit 15-2      **Unimplemented:** Read as '0'

bit 1      **RTSECSEL:** RTCC Seconds Clock Output Select bit<sup>(1)</sup>

1 = RTCC seconds clock is selected for the RTCC pin

0 = RTCC alarm pulse is selected for the RTCC pin

bit 0      **Unimplemented:** Read as '0'

**Note 1:** To enable the actual RTCC output, the RTCOE (RCFGCAL) bit needs to be set.

# dsPIC33FJ16(GP/MC)101/102 AND dsPIC33FJ32(GP/MC)101/102/104

## REGISTER 21-3: ALCFGRPT: ALARM CONFIGURATION REGISTER

|        |       |            |       |       |       |              |       |
|--------|-------|------------|-------|-------|-------|--------------|-------|
| R/W-0  | R/W-0 | R/W-0      | R/W-0 | R/W-0 | R/W-0 | R/W-0        | R/W-0 |
| ALRMEN | CHIME | AMASK<3:0> |       |       |       | ALRMPTR<1:0> |       |
| bit 15 |       |            |       |       |       | bit 8        |       |

|           |       |       |       |       |       |       |       |
|-----------|-------|-------|-------|-------|-------|-------|-------|
| R/W-0     | R/W-0 | R/W-0 | R/W-0 | R/W-0 | R/W-0 | R/W-0 | R/W-0 |
| ARPT<7:0> |       |       |       |       |       |       |       |
| bit 7     |       |       |       |       |       | bit 0 |       |

|                   |                  |                                    |                    |
|-------------------|------------------|------------------------------------|--------------------|
| <b>Legend:</b>    |                  |                                    |                    |
| R = Readable bit  | W = Writable bit | U = Unimplemented bit, read as '0' |                    |
| -n = Value at POR | '1' = Bit is set | '0' = Bit is cleared               | x = Bit is unknown |

- bit 15      **ALRMEN:** Alarm Enable bit  
 1 = Alarm is enabled (cleared automatically after an alarm event whenever ARPT<7:0> = 0x00 and CHIME = 0)  
 0 = Alarm is disabled
- bit 14      **CHIME:** Chime Enable bit  
 1 = Chime is enabled; ARPT<7:0> bits are allowed to roll over from 0x00 to 0xFF  
 0 = Chime is disabled; ARPT<7:0> bits stop once they reach 0x00
- bit 13-10    **AMASK<3:0>:** Alarm Mask Configuration bits  
 0000 = Every half second  
 0001 = Every second  
 0010 = Every 10 seconds  
 0011 = Every minute  
 0100 = Every 10 minutes  
 0101 = Every hour  
 0110 = Once a day  
 0111 = Once a week  
 1000 = Once a month  
 1001 = Once a year (except when configured for February 29th, once every 4 years)  
 101x = Reserved – do not use  
 11xx = Reserved – do not use
- bit 9-8      **ALRMPTR<1:0>:** Alarm Value Register Window Pointer bits  
 Points to the corresponding Alarm Value registers when reading ALRMVALH and ALRMVALL registers; the ALRMPTR<1:0> value decrements on every read or write of ALRMVALH until it reaches '00'.  
ALRMVAL<15:8>:  
 00 = ALRMMIN  
 01 = ALRMWD  
 10 = ALRMMNTH  
 11 = Unimplemented  
ALRMVAL<7:0>:  
 00 = ALRMSEC  
 01 = ALRMHR  
 10 = ALRMDAY  
 11 = Unimplemented
- bit 7-0      **ARPT<7:0>:** Alarm Repeat Counter Value bits  
 11111111 = Alarm will repeat 255 more times  
 •  
 •  
 •  
 00000000 = Alarm will not repeat  
 The counter decrements on any alarm event. The counter is prevented from rolling over from 0x00 to 0xFF unless CHIME = 1.

# dsPIC33FJ16(GP/MC)101/102 AND dsPIC33FJ32(GP/MC)101/102/104

## REGISTER 21-4: RTCVAL (WHEN RTCPTR<1:0> = 11): YEAR VALUE REGISTER<sup>(1)</sup>

|        |     |     |     |     |     |     |       |
|--------|-----|-----|-----|-----|-----|-----|-------|
| U-0    | U-0 | U-0 | U-0 | U-0 | U-0 | U-0 | U-0   |
| —      | —   | —   | —   | —   | —   | —   | —     |
| bit 15 |     |     |     |     |     |     | bit 8 |

|            |       |       |       |            |       |       |       |
|------------|-------|-------|-------|------------|-------|-------|-------|
| R/W-x      | R/W-x | R/W-x | R/W-x | R/W-x      | R/W-x | R/W-x | R/W-x |
| YRTEN<3:0> |       |       |       | YRONE<3:0> |       |       |       |
| bit 7      |       |       |       |            |       |       | bit 0 |

### Legend:

R = Readable bit                      W = Writable bit                      U = Unimplemented bit, read as '0'  
 -n = Value at POR                      '1' = Bit is set                      '0' = Bit is cleared                      x = Bit is unknown

- bit 15-8            **Unimplemented:** Read as '0'
- bit 7-4            **YRTEN<3:0>:** Binary Coded Decimal Value of Year's Tens Digit bits  
Contains a value from 0 to 9.
- bit 3-0            **YRONE<3:0>:** Binary Coded Decimal Value of Year's Ones Digit bits  
Contains a value from 0 to 9.

**Note 1:** A write to this register is only allowed when RTCWREN = 1.

## REGISTER 21-5: RTCVAL (WHEN RTCPTR<1:0> = 10): MONTH AND DAY VALUE REGISTER<sup>(1)</sup>

|        |     |     |         |             |     |     |       |
|--------|-----|-----|---------|-------------|-----|-----|-------|
| U-0    | U-0 | U-0 | R-x     | R-x         | R-x | R-x | R-x   |
| —      | —   | —   | MHTTEN0 | MTHONE<3:0> |     |     |       |
| bit 15 |     |     |         |             |     |     | bit 8 |

|       |     |             |       |             |       |       |       |
|-------|-----|-------------|-------|-------------|-------|-------|-------|
| U-0   | U-0 | R/W-x       | R/W-x | R/W-x       | R/W-x | R/W-x | R/W-x |
| —     | —   | DAYTEN<1:0> |       | DAYONE<3:0> |       |       |       |
| bit 7 |     |             |       |             |       |       | bit 0 |

### Legend:

R = Readable bit                      W = Writable bit                      U = Unimplemented bit, read as '0'  
 -n = Value at POR                      '1' = Bit is set                      '0' = Bit is cleared                      x = Bit is unknown

- bit 15-13           **Unimplemented:** Read as '0'
- bit 12            **MHTTEN0:** Binary Coded Decimal Value of Month's Tens Digit bit  
Contains a value of 0 or 1.
- bit 11-8           **MTHONE<3:0>:** Binary Coded Decimal Value of Month's Ones Digit bits  
Contains a value from 0 to 9.
- bit 7-6            **Unimplemented:** Read as '0'
- bit 5-4            **DAYTEN<1:0>:** Binary Coded Decimal Value of Day's Tens Digit bits  
Contains a value from 0 to 3.
- bit 3-0            **DAYONE<3:0>:** Binary Coded Decimal Value of Day's Ones Digit bits  
Contains a value from 0 to 9.

**Note 1:** A write to this register is only allowed when RTCWREN = 1.

# dsPIC33FJ16(GP/MC)101/102 AND dsPIC33FJ32(GP/MC)101/102/104

## REGISTER 21-6: RTCVAL (WHEN RTCPTR<1:0> = 01): WEEKDAY AND HOURS VALUE REGISTER<sup>(1)</sup>

|        |     |     |     |     |           |       |       |
|--------|-----|-----|-----|-----|-----------|-------|-------|
| U-0    | U-0 | U-0 | U-0 | U-0 | R/W-x     | R/W-x | R/W-x |
| —      | —   | —   | —   | —   | WDAY<2:0> |       |       |
| bit 15 |     |     |     |     | bit 8     |       |       |

|       |     |            |       |            |       |       |       |
|-------|-----|------------|-------|------------|-------|-------|-------|
| U-0   | U-0 | R/W-x      | R/W-x | R/W-x      | R/W-x | R/W-x | R/W-x |
| —     | —   | HRTEN<1:0> |       | HRONE<3:0> |       |       |       |
| bit 7 |     | bit 0      |       |            |       |       |       |

### Legend:

R = Readable bit

W = Writable bit

U = Unimplemented bit, read as '0'

-n = Value at POR

'1' = Bit is set

'0' = Bit is cleared

x = Bit is unknown

bit 15-11      **Unimplemented:** Read as '0'

bit 10-8      **WDAY<2:0>:** Binary Coded Decimal Value of Weekday Digit bits  
Contains a value from 0 to 6.

bit 7-6        **Unimplemented:** Read as '0'

bit 5-4        **HRTEN<1:0>:** Binary Coded Decimal Value of Hour's Tens Digit bits  
Contains a value from 0 to 2.

bit 3-0        **HRONE<3:0>:** Binary Coded Decimal Value of Hour's Ones Digit bits  
Contains a value from 0 to 9.

**Note 1:** A write to this register is only allowed when RTCWREN = 1.



# dsPIC33FJ16(GP/MC)101/102 AND dsPIC33FJ32(GP/MC)101/102/104

## REGISTER 21-7: RTCVAL (WHEN RTCPTR<1:0> = 00): MINUTES AND SECONDS VALUE REGISTER

|        |             |       |       |             |       |       |       |
|--------|-------------|-------|-------|-------------|-------|-------|-------|
| U-0    | R/W-x       | R/W-x | R/W-x | R/W-x       | R/W-x | R/W-x | R/W-x |
| —      | MINTEN<2:0> |       |       | MINONE<3:0> |       |       |       |
| bit 15 |             |       |       |             |       |       | bit 8 |

|       |             |       |       |             |       |       |       |
|-------|-------------|-------|-------|-------------|-------|-------|-------|
| U-0   | R/W-x       | R/W-x | R/W-x | R/W-x       | R/W-x | R/W-x | R/W-x |
| —     | SECTEN<2:0> |       |       | SECONE<3:0> |       |       |       |
| bit 7 |             |       |       |             |       |       | bit 0 |

### Legend:

R = Readable bit                      W = Writable bit                      U = Unimplemented bit, read as '0'  
 -n = Value at POR                      '1' = Bit is set                      '0' = Bit is cleared                      x = Bit is unknown

- bit 15                      **Unimplemented:** Read as '0'
- bit 14-12                **MINTEN<2:0>:** Binary Coded Decimal Value of Minute's Tens Digit bits  
Contains a value from 0 to 5.
- bit 11-8                 **MINONE<3:0>:** Binary Coded Decimal Value of Minute's Ones Digit bits  
Contains a value from 0 to 9.
- bit 7                     **Unimplemented:** Read as '0'
- bit 6-4                  **SECTEN<2:0>:** Binary Coded Decimal Value of Second's Tens Digit bits  
Contains a value from 0 to 5.
- bit 3-0                 **SECONE<3:0>:** Binary Coded Decimal Value of Second's Ones Digit bits  
Contains a value from 0 to 9.

# dsPIC33FJ16(GP/MC)101/102 AND dsPIC33FJ32(GP/MC)101/102/104

## REGISTER 21-8: ALRMVAL (WHEN ALRMPTR<1:0> = 10): ALARM MONTH AND DAY VALUE REGISTER<sup>(1)</sup>

|        |     |     |         |             |       |       |       |       |
|--------|-----|-----|---------|-------------|-------|-------|-------|-------|
| U-0    | U-0 | U-0 | R/W-x   | R/W-x       | R/W-x | R/W-x | R/W-x |       |
| —      | —   | —   | MHTTEN0 | MTHONE<3:0> |       |       |       |       |
| bit 15 |     |     |         |             |       |       |       | bit 8 |

|       |     |             |       |             |       |       |       |
|-------|-----|-------------|-------|-------------|-------|-------|-------|
| U-0   | U-0 | R/W-x       | R/W-x | R/W-x       | R/W-x | R/W-x | R/W-x |
| —     | —   | DAYTEN<1:0> |       | DAYONE<3:0> |       |       |       |
| bit 7 |     |             |       |             |       | bit 0 |       |

### Legend:

R = Readable bit                      W = Writable bit                      U = Unimplemented bit, read as '0'  
 -n = Value at POR                      '1' = Bit is set                      '0' = Bit is cleared                      x = Bit is unknown

- bit 15-13      **Unimplemented:** Read as '0'
- bit 12        **MHTTEN0:** Binary Coded Decimal Value of Month's Tens Digit bit  
Contains a value of 0 or 1.
- bit 11-8      **MTHONE<3:0>:** Binary Coded Decimal Value of Month's Ones Digit bits  
Contains a value from 0 to 9.
- bit 7-6       **Unimplemented:** Read as '0'
- bit 5-4       **DAYTEN<1:0>:** Binary Coded Decimal Value of Day's Tens Digit bits  
Contains a value from 0 to 3.
- bit 3-0       **DAYONE<3:0>:** Binary Coded Decimal Value of Day's Ones Digit bits  
Contains a value from 0 to 9.

**Note 1:** A write to this register is only allowed when RTCWREN = 1.

# dsPIC33FJ16(GP/MC)101/102 AND dsPIC33FJ32(GP/MC)101/102/104

## REGISTER 21-9: ALRMVAL (WHEN ALRMPTR<1:0> = 01): ALARM WEEKDAY AND HOURS VALUE REGISTER<sup>(1)</sup>

|        |     |     |     |     |       |       |       |
|--------|-----|-----|-----|-----|-------|-------|-------|
| U-0    | U-0 | U-0 | U-0 | U-0 | R/W-x | R/W-x | R/W-x |
| —      | —   | —   | —   | —   | WDAY2 | WDAY1 | WDAY0 |
| bit 15 |     |     |     |     |       | bit 8 |       |

|       |     |            |       |            |       |       |       |
|-------|-----|------------|-------|------------|-------|-------|-------|
| U-0   | U-0 | R/W-x      | R/W-x | R/W-x      | R/W-x | R/W-x | R/W-x |
| —     | —   | HRTEN<1:0> |       | HRONE<3:0> |       |       |       |
| bit 7 |     |            |       |            |       | bit 0 |       |

### Legend:

R = Readable bit                      W = Writable bit                      U = Unimplemented bit, read as '0'  
 -n = Value at POR                      '1' = Bit is set                      '0' = Bit is cleared                      x = Bit is unknown

- bit 15-11      **Unimplemented:** Read as '0'
- bit 10-8      **WDAY<2:0>:** Binary Coded Decimal Value of Weekday Digit bits  
Contains a value from 0 to 6.
- bit 7-6      **Unimplemented:** Read as '0'
- bit 5-4      **HRTEN<1:0>:** Binary Coded Decimal Value of Hour's Tens Digit bits  
Contains a value from 0 to 2.
- bit 3-0      **HRONE<3:0>:** Binary Coded Decimal Value of Hour's Ones Digit bits  
Contains a value from 0 to 9.

**Note 1:** A write to this register is only allowed when RTCWREN = 1.

# dsPIC33FJ16(GP/MC)101/102 AND dsPIC33FJ32(GP/MC)101/102/104

## REGISTER 21-10: ALRMVAL (WHEN ALRMPTR<1:0> = 00): ALARM MINUTES AND SECONDS VALUE REGISTER

|        |             |       |       |             |       |       |       |
|--------|-------------|-------|-------|-------------|-------|-------|-------|
| U-0    | R/W-x       | R/W-x | R/W-x | R/W-x       | R/W-x | R/W-x | R/W-x |
| —      | MINTEN<2:0> |       |       | MINONE<3:0> |       |       |       |
| bit 15 |             |       |       |             |       |       | bit 8 |

|       |             |       |       |              |       |       |       |
|-------|-------------|-------|-------|--------------|-------|-------|-------|
| U-0   | R/W-x       | R/W-x | R/W-x | R/W-x        | R/W-x | R/W-x | R/W-x |
| —     | SECTEN<2:0> |       |       | SECCONE<3:0> |       |       |       |
| bit 7 |             |       |       |              |       |       | bit 0 |

### Legend:

|                   |                  |  |
|-------------------|------------------|--|
| R = Readable bit  | W = Writable bit | U = Unimplemented bit, read as '0'           |
| -n = Value at POR | '1' = Bit is set | '0' = Bit is cleared      x = Bit is unknown |

- bit 15      **Unimplemented:** Read as '0'
- bit 14-12    **MINTEN<2:0>:** Binary Coded Decimal Value of Minute's Tens Digit bits  
Contains a value from 0 to 5.
- bit 11-8    **MINONE<3:0>:** Binary Coded Decimal Value of Minute's Ones Digit bits  
Contains a value from 0 to 9.
- bit 7      **Unimplemented:** Read as '0'
- bit 6-4    **SECTEN<2:0>:** Binary Coded Decimal Value of Second's Tens Digit bits  
Contains a value from 0 to 5.
- bit 3-0    **SECCONE<3:0>:** Binary Coded Decimal Value of Second's Ones Digit bits  
Contains a value from 0 to 9.

## 22.0 CHARGE TIME MEASUREMENT UNIT (CTMU)

**Note 1:** This data sheet summarizes the features of the dsPIC33FJ16(GP/MC)101/102 and dsPIC33FJ32(GP/MC)101/102/104 device families of devices. It is not intended to be a comprehensive reference source. To complement the information in this data sheet, refer to **Section 55. “Charge Time Measurement Unit (CTMU)”** (DS70635) in the “dsPIC33F/PIC24H Family Reference Manual”, which is available on the Microchip web site ([www.microchip.com](http://www.microchip.com)).

**2:** Some registers and associated bits described in this section may not be available on all devices. Refer to **Section 4.0 “Memory Organization”** in this data sheet for device-specific register and bit information.

Together with other on-chip analog modules, the CTMU can be used to precisely measure time, measure capacitance, measure relative changes in capacitance or generate output pulses that are independent of the system clock.

The CTMU module is ideal for interfacing with capacitive-based sensors. The CTMU is controlled through three registers: CTMUCON1, CTMUCON2 and CTMUICON. CTMUCON1 enables the module, the edge delay generation, sequencing of edges, and controls the current source and the output trigger. CTMUCON2 controls the edge source selection, edge source polarity selection and edge sampling mode. The CTMUICON register controls the selection and trim of the current source.

[Figure 22-1](#) shows the CTMU block diagram.

The Charge Time Measurement Unit (CTMU) is a flexible analog module that provides accurate differential time measurement between pulse sources, as well as asynchronous pulse generation. Its key features include:

- Four edge input trigger sources
- Polarity control for each edge source
- Control of edge sequence
- Control of response to edges
- Precise time measurement resolution of 200 ps
- Accurate current source suitable for capacitive measurement
- On-chip temperature measurement using a built-in diode

**FIGURE 22-1: CTMU BLOCK DIAGRAM**



## 22.1 CTMU Control Registers

**REGISTER 22-1: CTMUCON1: CTMU CONTROL REGISTER 1**

|        |     |          |                     |       |          |                        |        |
|--------|-----|----------|---------------------|-------|----------|------------------------|--------|
| R/W-0  | U-0 | R/W-0    | R/W-0               | R/W-0 | R/W-0    | R/W-0                  | R/W-0  |
| CTMUEN | —   | CTMUSIDL | TGEN <sup>(1)</sup> | EDGEN | EDGSEQEN | IDISSEN <sup>(2)</sup> | CTTRIG |
| bit 15 |     |          |                     |       |          |                        | bit 8  |
|        |     |          |                     |       |          |                        |        |
| U-0    | U-0 | U-0      | U-0                 | U-0   | U-0      | U-0                    | U-0    |
| —      | —   | —        | —                   | —     | —        | —                      | —      |
| bit 7  |     |          |                     |       |          |                        | bit 0  |

**Legend:**

|                   |                  |                                    |                    |
|-------------------|------------------|------------------------------------|--------------------|
| R = Readable bit  | W = Writable bit | U = Unimplemented bit, read as '0' |                    |
| -n = Value at POR | '1' = Bit is set | '0' = Bit is cleared               | x = Bit is unknown |

- bit 15      **CTMUEN:** CTMU Enable bit  
             1 = Module is enabled  
             0 = Module is disabled
- bit 14      **Unimplemented:** Read as '0'
- bit 13      **CTMUSIDL:** CTMU Stop in Idle Mode bit  
             1 = Discontinues module operation when device enters Idle mode  
             0 = Continues module operation in Idle mode
- bit 12      **TGEN:** Time Generation Enable bit<sup>(1)</sup>  
             1 = Enables edge delay generation  
             0 = Disables edge delay generation
- bit 11      **EDGEN:** Edge Enable bit  
             1 = Edges are not blocked  
             0 = Edges are blocked
- bit 10      **EDGSEQEN:** Edge Sequence Enable bit  
             1 = Edge 1 event must occur before Edge 2 event can occur  
             0 = No edge sequence is needed
- bit 9        **IDISSEN:** Analog Current Source Control bit<sup>(2)</sup>  
             1 = Analog current source output is grounded  
             0 = Analog current source output is not grounded
- bit 8        **CTTRIG:** Trigger Control bit  
             1 = Trigger output is enabled  
             0 = Trigger output is disabled
- bit 7-0     **Unimplemented:** Read as '0'

- Note 1:** If TGEN = 1, the peripheral inputs and outputs must be configured to an available RPN pin. For more information, see [Section 10.4 “Peripheral Pin Select \(PPS\)”](#).
- 2:** The ADC module S&H capacitor is not automatically discharged between sample/conversion cycles. Software using the ADC as part of a capacitance measurement must discharge the ADC capacitor before conducting the measurement. The IDISSEN bit, when set to '1', performs this function. The ADC must be sampling while the IDISSEN bit is active to connect the discharge sink to the capacitor array.

# dsPIC33FJ16(GP/MC)101/102 AND dsPIC33FJ32(GP/MC)101/102/104

## REGISTER 22-2: CTMUCON2: CTMU CONTROL REGISTER 2

|         |         |              |       |       |          |          |       |
|---------|---------|--------------|-------|-------|----------|----------|-------|
| R/W-0   | R/W-0   | R/W-0        | R/W-0 | R/W-0 | R/W-0    | R/W-0    | R/W-0 |
| EDG1MOD | EDG1POL | EDG1SEL<3:0> |       |       | EDG2STAT | EDG1STAT |       |
| bit 15  |         |              |       |       |          | bit 8    |       |

|         |         |              |       |       |       |       |     |
|---------|---------|--------------|-------|-------|-------|-------|-----|
| R/W-0   | R/W-0   | R/W-0        | R/W-0 | R/W-0 | R/W-0 | U-0   | U-0 |
| EDG2MOD | EDG2POL | EDG2SEL<3:0> |       |       | —     | —     |     |
| bit 7   |         |              |       |       |       | bit 0 |     |

### Legend:

R = Readable bit                      W = Writable bit                      U = Unimplemented bit, read as '0'  
 -n = Value at POR                      '1' = Bit is set                      '0' = Bit is cleared                      x = Bit is unknown

bit 15            **EDG1MOD:** Edge 1 Edge Sampling Selection bit

- 1 = Edge 1 is edge-sensitive
- 0 = Edge 1 is level-sensitive

bit 14            **EDG1POL:** Edge 1 Polarity Select bit

- 1 = Edge 1 is programmed for a positive edge response
- 0 = Edge 1 is programmed for a negative edge response

bit 13-10        **EDG1SEL<3:0>:** Edge 1 Source Select bits

- 1xxx = Reserved
- 01xx = Reserved
- 0011 = CTED1 pin
- 0010 = CTED2 pin
- 0001 = OC1 module
- 0000 = Timer1 module

bit 9             **EDG2STAT:** Edge 2 Status bit

- Indicates the status of Edge 2 and can be written to control the edge source.
- 1 = Edge 2 has occurred
- 0 = Edge 2 has not occurred

bit 8             **EDG1STAT:** Edge 1 Status bit

- Indicates the status of Edge 1 and can be written to control the edge source.
- 1 = Edge 1 has occurred
- 0 = Edge 1 has not occurred

bit 7             **EDG2MOD:** Edge 2 Edge Sampling Selection bit

- 1 = Edge 2 is edge-sensitive
- 0 = Edge 2 is level-sensitive

bit 6             **EDG2POL:** Edge 2 Polarity Select bit

- 1 = Edge 2 is programmed for a positive edge response
- 0 = Edge 2 is programmed for a negative edge response

bit 5-2          **EDG2SEL<3:0>:** Edge 2 Source Select bits

- 1xxx = Reserved
- 01xx = Reserved
- 0011 = CTED2 pin
- 0010 = CTED1 pin
- 0001 = Comparator 2 module
- 0000 = IC1 module

bit 1-0          **Unimplemented:** Read as '0'



# dsPIC33FJ16(GP/MC)101/102 AND dsPIC33FJ32(GP/MC)101/102/104

## REGISTER 22-3: CTMUICON: CTMU CURRENT CONTROL REGISTER

|            |       |       |       |       |       |           |       |
|------------|-------|-------|-------|-------|-------|-----------|-------|
| R/W-0      | R/W-0 | R/W-0 | R/W-0 | R/W-0 | R/W-0 | R/W-0     | R/W-0 |
| ITRIM<5:0> |       |       |       |       |       | IRNG<1:0> |       |
| bit 15     |       |       |       |       |       | bit 8     |       |

|       |     |     |     |     |     |       |     |
|-------|-----|-----|-----|-----|-----|-------|-----|
| U-0   | U-0 | U-0 | U-0 | U-0 | U-0 | U-0   | U-0 |
| —     | —   | —   | —   | —   | —   | —     | —   |
| bit 7 |     |     |     |     |     | bit 0 |     |

### Legend:

R = Readable bit                      W = Writable bit                      U = Unimplemented bit, read as '0'  
 -n = Value at POR                      '1' = Bit is set                      '0' = Bit is cleared                      x = Bit is unknown

- bit 15-10     **ITRIM<5:0>**: Current Source Trim bits
- 011111 = Nominal current output specified by IRNG<1:0> + 62%
  - 011110 = Nominal current output specified by IRNG<1:0> + 60%
  - 
  - 
  - 
  - 000001 = Nominal current output specified by IRNG<1:0> + 2%
  - 000000 = Nominal current output specified by IRNG<1:0>
  - 111111 = Nominal current output specified by IRNG<1:0> – 2%
  - 
  - 
  - 
  - 100010 = Nominal current output specified by IRNG<1:0> – 62%
  - 100001 = Nominal current output specified by IRNG<1:0> – 64%
- bit 9-8     **IRNG<1:0>**: Current Source Range Select bits
- 11 = 100 × Base Current<sup>(1)</sup>
  - 10 = 10 × Base Current
  - 01 = Base current level (0.55 μA nominal)
  - 00 = Reserved
- bit 7-0     **Unimplemented**: Read as '0'

**Note 1:** This setting must be used for the CTMU temperature sensor.

NOTES:

## 23.0 SPECIAL FEATURES

**Note 1:** This data sheet summarizes the features of the dsPIC33FJ16(GP/MC)101/102 and dsPIC33FJ32(GP/MC)101/102/104 devices. It is not intended to be a comprehensive reference source. To complement the information in this data sheet, refer to **Section 24. “Programming and Diagnostics”** (DS70207) and **Section 25. “Device Configuration”** (DS70194) in the *“dsPIC33F/PIC24H Family Reference Manual”*, which are available from the Microchip web site ([www.microchip.com](http://www.microchip.com)).

**2:** Some registers and associated bits described in this section may not be available on all devices. Refer to **Section 4.0 “Memory Organization”** in this data sheet for device-specific register and bit information.

dsPIC33FJ16(GP/MC)101/102 and dsPIC33FJ32(GP/MC)101/102/104 devices include several features intended to maximize application flexibility and reliability, and minimize cost through elimination of external components. These are:

- Flexible Configuration
- Watchdog Timer (WDT)
- Code Protection
- In-Circuit Serial Programming™ (ICSP™)
- In-Circuit Emulation

### 23.1 Configuration Bits

The Configuration Shadow register bits can be configured (read as ‘0’) or left unprogrammed (read as ‘1’) to select various device configurations. These read-only bits are mapped starting at program memory location, 0xF80000. A detailed explanation of the various bit functions is provided in [Table 23-4](#).

Note that address 0xF80000 is beyond the user program memory space and belongs to the configuration memory space (0x800000-0xFFFFF), which can only be accessed using table reads.

In dsPIC33FJ16(GP/MC)101/102 and dsPIC33FJ32(GP/MC)101/102/104 devices, the configuration bytes are implemented as volatile memory. This means that configuration data must be programmed each time the device is powered up. Configuration data is stored in the two words at the top of the on-chip program memory space, known as the Flash Configuration Words. Their specific locations are shown in [Table 23-2](#). These are packed representations of the actual device Configuration bits, whose actual locations are distributed among several locations in configuration space. The configuration data is automatically loaded from the Flash Configuration Words to the proper Configuration registers during device Resets.

**Note:** Configuration data is reloaded on all types of device Resets.

When creating applications for these devices, users should always specifically allocate the location of the Flash Configuration Word for configuration data. This is to make certain that program code is not stored in this address when the code is compiled.

The upper byte of all Flash Configuration Words in program memory should always be ‘1111 1111’. This makes them appear to be NOP instructions in the remote event that their locations are ever executed by accident. Since Configuration bits are not implemented in the corresponding locations, writing ‘1’s to these locations has no effect on device operation.

**Note:** Performing a page erase operation on the last page of program memory clears the Flash Configuration Words, enabling code protection as a result. Therefore, users should avoid performing page erase operations on the last page of program memory.

The Configuration Shadow register map is shown in [Table 23-1](#).

**TABLE 23-1: CONFIGURATION SHADOW REGISTER MAP**

| Address | Name    | Bit 7                   | Bit 6                  | Bit 5                   | Bit 4                   | Bit 3        | Bit 2      | Bit 1       | Bit 0 |
|---------|---------|-------------------------|------------------------|-------------------------|-------------------------|--------------|------------|-------------|-------|
| F80004  | FGS     | —                       | —                      | —                       | —                       | —            | —          | GCP         | GWRP  |
| F80006  | FOSCSEL | IESO                    | PWMLOCK <sup>(1)</sup> | —                       | WDTWIN<1:0>             |              | FNOSC<2:0> |             |       |
| F80008  | FOSC    | FCKSM<1:0>              |                        | IOL1WAY                 | —                       | —            | OSCIOfNC   | POSCMD<1:0> |       |
| F8000A  | FWDT    | FWDTEN                  | WINDIS                 | PLLKEN                  | WDTPRE                  | WDTPOST<3:0> |            |             |       |
| F8000C  | FPOR    | PWMPIN <sup>(1)</sup>   | HPOL <sup>(1)</sup>    | LPOL <sup>(1)</sup>     | ALTI2C1                 | —            | —          | —           | —     |
| F8000E  | FICD    | Reserved <sup>(2)</sup> | —                      | Reserved <sup>(3)</sup> | Reserved <sup>(3)</sup> | —            | —          | ICS<1:0>    |       |

**Legend:** — = unimplemented, read as '1'.

**Note 1:** These bits are available in dsPIC33FJ(16/32)MC10X devices only.

**2:** This bit is reserved for use by development tools.

**3:** These bits are reserved, program as '0'.

The Configuration Flash Word maps are shown in [Table 23-2](#) and [Table 23-3](#).

**TABLE 23-2: CONFIGURATION FLASH WORDS FOR dsPIC33FJ16(GP/MC)10X DEVICES<sup>(1)</sup>**

| File Name | Addr.  | Bits 23-16 | Bit 15                  | Bit 14                  | Bit 13                | Bit 12      | Bit 11                  | Bit 10              | Bit 9    | Bit 8      | Bit 7  | Bit 6    | Bit 5   | Bit 4               | Bit 3        | Bit 2       | Bit 1 | Bit 0 |
|-----------|--------|------------|-------------------------|-------------------------|-----------------------|-------------|-------------------------|---------------------|----------|------------|--------|----------|---------|---------------------|--------------|-------------|-------|-------|
| CONFIG2   | 002BFC | —          | IESO                    | PWMLOCK <sup>(2)</sup>  | PWMPIN <sup>(2)</sup> | WDTWIN<1:0> |                         | FNOSC<2:0>          |          | FCKSM<1:0> |        | OSCIOfNC | IOL1WAY | LPOL <sup>(2)</sup> | ALTI2C1      | POSCMD<1:0> |       |       |
| CONFIG1   | 002BFE | —          | Reserved <sup>(3)</sup> | Reserved <sup>(3)</sup> | GCP                   | GWRP        | Reserved <sup>(4)</sup> | HPOL <sup>(2)</sup> | ICS<1:0> |            | FWDTEN | WINDIS   | PLLKEN  | WDTPRE              | WDTPOST<3:0> |             |       |       |

**Legend:** — = unimplemented, read as '1'.

**Note 1:** During a Power-on Reset (POR), the contents of these Flash locations are transferred to the Configuration Shadow registers.

**2:** These bits are reserved on dsPIC33FJ16GP10X devices and read as '1'.

**3:** These bits are reserved, program as '0'.

**4:** This bit is reserved for use by development tools and must be programmed as '1'.

**TABLE 23-3: CONFIGURATION FLASH WORDS FOR dsPIC33FJ32(GP/MC)10X DEVICES<sup>(1)</sup>**

| File Name | Addr.  | Bits 23-16 | Bit 15                  | Bit 14                  | Bit 13                | Bit 12      | Bit 11                  | Bit 10              | Bit 9    | Bit 8      | Bit 7  | Bit 6    | Bit 5   | Bit 4               | Bit 3        | Bit 2       | Bit 1 | Bit 0 |
|-----------|--------|------------|-------------------------|-------------------------|-----------------------|-------------|-------------------------|---------------------|----------|------------|--------|----------|---------|---------------------|--------------|-------------|-------|-------|
| CONFIG2   | 0057FC | —          | IESO                    | PWMLOCK <sup>(2)</sup>  | PWMPIN <sup>(2)</sup> | WDTWIN<1:0> |                         | FNOSC<2:0>          |          | FCKSM<1:0> |        | OSCIOfNC | IOL1WAY | LPOL <sup>(2)</sup> | ALTI2C1      | POSCMD<1:0> |       |       |
| CONFIG1   | 0057FE | —          | Reserved <sup>(3)</sup> | Reserved <sup>(3)</sup> | GCP                   | GWRP        | Reserved <sup>(4)</sup> | HPOL <sup>(2)</sup> | ICS<1:0> |            | FWDTEN | WINDIS   | PLLKEN  | WDTPRE              | WDTPOST<3:0> |             |       |       |

**Legend:** — = unimplemented, read as '1'.

**Note 1:** During a Power-on Reset (POR), the contents of these Flash locations are transferred to the Configuration Shadow registers.

**2:** These bits are reserved in dsPIC33FJ32GP10X devices and read as '1'.

**3:** These bits are reserved, program as '0'.

**4:** This bit is reserved for use by development tools and must be programmed as '1'.

# dsPIC33FJ16(GP/MC)101/102 AND dsPIC33FJ32(GP/MC)101/102/104

**TABLE 23-4: dsPIC33F CONFIGURATION BITS DESCRIPTION**

| Bit Field   | Description   |
|-------------|---|
| GCP         | General Segment Code-Protect bit<br>1 = User program memory is not code-protected<br>0 = Code protection is enabled for the entire program memory space   |
| GWRP        | General Segment Write-Protect bit<br>1 = User program memory is not write-protected<br>0 = User program memory is write-protected   |
| IESO        | Two-Speed Oscillator Start-up Enable bit<br>1 = Starts up device with FRC, then automatically switches to the user-selected oscillator source when ready<br>0 = Starts up device with user-selected oscillator source   |
| PWMLOCK     | PWM Lock Enable bit<br>1 = Certain PWM registers may only be written after key sequence<br>0 = PWM registers may be written without a key sequence  |
| WDTWIN<1:0> | Watchdog Timer Window Select bits<br>11 = WDT window is 24% of WDT period<br>10 = WDT window is 37.5% of WDT period<br>01 = WDT window is 50% of WDT period<br>00 = WDT window is 75% of WDT period   |
| FNOSC<2:0>  | Oscillator Selection bits<br>111 = Fast RC Oscillator with Divide-by-N (FRCDIVN)<br>110 = Reserved; do not use<br>101 = Low-Power RC Oscillator (LPRC)<br>100 = Secondary Oscillator (SOSC)<br>011 = Primary Oscillator with PLL module (MS + PLL, EC + PLL)<br>010 = Primary Oscillator (MS, HS, EC)<br>001 = Fast RC Oscillator with Divide-by-N and PLL module (FRCDIVN + PLL)<br>000 = Fast RC Oscillator (FRC) |
| FCKSM<1:0>  | Clock Switching Mode bits<br>1x = Clock switching is disabled, Fail-Safe Clock Monitor is disabled<br>01 = Clock switching is enabled, Fail-Safe Clock Monitor is disabled<br>00 = Clock switching is enabled, Fail-Safe Clock Monitor is enabled   |
| IOL1WAY     | Peripheral Pin Select Configuration bit<br>1 = Allow only one reconfiguration<br>0 = Allow multiple reconfigurations  |
| OSCIOfNC    | OSC2 Pin Function bit (except in MS and HS modes)<br>1 = OSC2 is clock output<br>0 = OSC2 is general purpose digital I/O pin  |
| POSCMD<1:0> | Primary Oscillator Mode Select bits<br>11 = Primary Oscillator is disabled<br>10 = HS Crystal Oscillator mode (10 MHz-32 MHz)<br>01 = MS Crystal Oscillator mode (3 MHz-10 MHz)<br>00 = EC (External Clock) mode (DC-32 MHz)  |
| FWDTEN      | Watchdog Timer Enable bit<br>1 = Watchdog Timer is always enabled (LPRC oscillator cannot be disabled; clearing the SWDTEN bit in the RCON register will have no effect)<br>0 = Watchdog Timer is enabled/disabled by user software (LPRC can be disabled by clearing the SWDTEN bit in the RCON register)  |
| WINDIS      | Watchdog Timer Window Enable bit<br>1 = Watchdog Timer in Non-Window mode<br>0 = Watchdog Timer in Window mode  |

# dsPIC33FJ16(GP/MC)101/102 AND dsPIC33FJ32(GP/MC)101/102/104

TABLE 23-4: dsPIC33F CONFIGURATION BITS DESCRIPTION (CONTINUED)

| Bit Field    | Description   |
|--------------|---|
| WDTPRE       | Watchdog Timer Prescaler bit<br>1 = 1:128<br>0 = 1:32   |
| WDTPOST<3:0> | Watchdog Timer Postscaler bits<br>1111 = 1:32,768<br>1110 = 1:16,384<br>•<br>•<br>•<br>0001 = 1:2<br>0000 = 1:1   |
| PLLKEN       | PLL Lock Enable bit<br>1 = Clock switch to PLL will wait until the PLL lock signal is valid<br>0 = Clock switch will not wait for the PLL lock signal   |
| ALTI2C       | Alternate I <sup>2</sup> C™ Pins bit<br>1 = I <sup>2</sup> C is mapped to SDA1/SCL1 pins<br>0 = I <sup>2</sup> C is mapped to ASDA1/ASCL1 pins  |
| ICS<1:0>     | ICD Communication Channel Select bits<br>11 = Communicate on PGEC1 and PGED1<br>10 = Communicate on PGEC2 and PGED2<br>01 = Communicate on PGEC3 and PGED3<br>00 = Reserved, do not use                           |
| PWMPIN       | Motor Control PWM Module Pin Mode bit<br>1 = PWM module pins controlled by PORT register at device Reset (tri-stated)<br>0 = PWM module pins controlled by PWM module at device Reset (configured as output pins) |
| HPOL         | Motor Control PWM High Side Polarity bit<br>1 = PWM module high side output pins have active-high output polarity<br>0 = PWM module high side output pins have active-low output polarity                         |
| LPOL         | Motor Control PWM Low Side Polarity bit<br>1 = PWM module low side output pins have active-high output polarity<br>0 = PWM module low side output pins have active-low output polarity                            |

# dsPIC33FJ16(GP/MC)101/102 AND dsPIC33FJ32(GP/MC)101/102/104

---

## REGISTER 23-1: DEVID: DEVICE ID REGISTER

|                             |   |   |   |   |   |   |   |   |        |
|-----------------------------|---|---|---|---|---|---|---|---|--------|
| R                           | R | R | R | R | R | R | R | R |        |
| DEVID<23:16> <sup>(1)</sup> |   |   |   |   |   |   |   |   |        |
| bit 23                      |   |   |   |   |   |   |   |   | bit 16 |

|                            |   |   |   |   |   |   |   |   |       |
|----------------------------|---|---|---|---|---|---|---|---|-------|
| R                          | R | R | R | R | R | R | R | R |       |
| DEVID<15:8> <sup>(1)</sup> |   |   |   |   |   |   |   |   |       |
| bit 15                     |   |   |   |   |   |   |   |   | bit 8 |

|                           |   |   |   |   |   |   |   |   |       |
|---------------------------|---|---|---|---|---|---|---|---|-------|
| R                         | R | R | R | R | R | R | R | R |       |
| DEVID<7:0> <sup>(1)</sup> |   |   |   |   |   |   |   |   |       |
| bit 7                     |   |   |   |   |   |   |   |   | bit 0 |

|                                  |                       |
|----------------------------------|-----------------------|
| <b>Legend:</b> R = Read-Only bit | U = Unimplemented bit |
|----------------------------------|-----------------------|

bit 23-0      **DEVID<23:0>**: Device Identifier bits<sup>(1)</sup>

**Note 1:** Refer to the “dsPIC33F Flash Programming Specification for Devices with Volatile Configuration Bits” (DS70659) for the list of device ID values.

## REGISTER 23-2: DEVREV: DEVICE REVISION REGISTER

|                              |   |   |   |   |   |   |   |   |        |
|------------------------------|---|---|---|---|---|---|---|---|--------|
| R                            | R | R | R | R | R | R | R | R |        |
| DEVREV<23:16> <sup>(1)</sup> |   |   |   |   |   |   |   |   |        |
| bit 23                       |   |   |   |   |   |   |   |   | bit 16 |

|                             |   |   |   |   |   |   |   |   |       |
|-----------------------------|---|---|---|---|---|---|---|---|-------|
| R                           | R | R | R | R | R | R | R | R |       |
| DEVREV<15:8> <sup>(1)</sup> |   |   |   |   |   |   |   |   |       |
| bit 15                      |   |   |   |   |   |   |   |   | bit 8 |

|                            |   |   |   |   |   |   |   |   |       |
|----------------------------|---|---|---|---|---|---|---|---|-------|
| R                          | R | R | R | R | R | R | R | R |       |
| DEVREV<7:0> <sup>(1)</sup> |   |   |   |   |   |   |   |   |       |
| bit 7                      |   |   |   |   |   |   |   |   | bit 0 |

|                                  |                       |
|----------------------------------|-----------------------|
| <b>Legend:</b> R = Read-only bit | U = Unimplemented bit |
|----------------------------------|-----------------------|

bit 23-0      **DEVREV<23:0>**: Device Revision bits<sup>(1)</sup>

**Note 1:** Refer to the “dsPIC33F Flash Programming Specification for Devices with Volatile Configuration Bits” (DS70659) for the list of device revision values.

## 23.2 On-Chip Voltage Regulator

All of the dsPIC33FJ16(GP/MC)101/102 and dsPIC33FJ32(GP/MC)101/102/104 devices power their core digital logic at a nominal 2.5V. This can create a conflict for designs that are required to operate at a higher typical voltage, such as 3.3V. To simplify system design, all devices in the dsPIC33FJ16(GP/MC)101/102 and dsPIC33FJ32(GP/MC)101/102/104 family incorporate an on-chip regulator that allows the device to run its core logic from VDD.

The regulator provides power to the core from the other VDD pins. When the regulator is enabled, a low-ESR (less than 5 ohms) capacitor (such as tantalum or ceramic) must be connected to the VCAP pin (Figure 23-1). This helps to maintain the stability of the regulator. The recommended value for the filter capacitor is provided in Table 26-14 located in Section 26.1 “DC Characteristics”.

**Note:** It is important for low-ESR capacitors to be placed as close as possible to the VCAP pin.

On a POR, it takes approximately 20  $\mu$ s for the on-chip voltage regulator to generate an output voltage. During this time, designated as TSTARTUP, code execution is disabled. TSTARTUP is applied every time the device resumes operation after any power-down.

**FIGURE 23-1: CONNECTIONS FOR THE ON-CHIP VOLTAGE REGULATOR<sup>(1,2,3)</sup>**



## 23.3 BOR: Brown-out Reset

The Brown-out Reset (BOR) module is based on an internal voltage reference circuit that monitors the regulated supply voltage, VCAP. The main purpose of the BOR module is to generate a device Reset when a brown-out condition occurs. Brown-out conditions are generally caused by glitches on the AC mains (for example, missing portions of the AC cycle waveform due to bad power transmission lines or voltage sags due to excessive current draw when a large inductive load is turned on).

A BOR generates a Reset pulse, which resets the device. The BOR selects the clock source, based on the device Configuration bit values (FNOSC<2:0> and POSCMD<1:0>).

If an Oscillator mode is selected, the BOR activates the Oscillator Start-up Timer (OST). The system clock is held until OST expires. If the PLL is used, the clock is held until the LOCK bit (OSCCON<5>) is '1'.

Concurrently, the PWRT Time-out (TPWRT) is applied before the internal Reset is released. If TPWRT = 0 and a crystal oscillator is being used, then a nominal delay of TFSCM = 100 is applied. The total delay in this case is TFSCM.

The BOR Status bit (RCON<1>) is set to indicate that a BOR has occurred. The BOR circuit continues to operate while in Sleep or Idle modes and resets the device should VDD fall below the BOR threshold voltage.



## 23.4 Watchdog Timer (WDT)

For dsPIC33FJ16(GP/MC)101/102 and dsPIC33FJ32(GP/MC)101/102/104 devices, the WDT is driven by the LPRC oscillator. When the WDT is enabled, the clock source is also enabled.

### 23.4.1 PRESCALER/POSTSCALER

The nominal WDT clock source from LPRC is 32 kHz. This feeds a prescaler that can be configured for either 5-bit (divide-by-32) or 7-bit (divide-by-128) operation. The prescaler is set by the WDTPRE Configuration bit. With a 32 kHz input, the prescaler yields a nominal WDT Time-out (TWDT) period of 1 ms in 5-bit mode or 4 ms in 7-bit mode.

A variable postscaler divides down the WDT prescaler output and allows for a wide range of time-out periods. The postscaler is controlled by the WDTPOST<3:0> Configuration bits (FWDT<3:0>), which allow the selection of 16 settings, from 1:1 to 1:32,768. Using the prescaler and postscaler, time-out periods, ranging from 1 ms to 131 seconds, can be achieved.

The WDT, prescaler and postscaler are reset:

- On any device Reset
- On the completion of a clock switch, whether invoked by software (i.e., setting the OSWEN bit after changing the NOSCx bits) or by hardware (i.e., Fail-Safe Clock Monitor)
- When a PWRSAV instruction is executed (i.e., Sleep or Idle mode is entered)
- When the device exits Sleep or Idle mode to resume normal operation
- By a CLRWDT instruction during normal execution

**Note:** The CLRWDT and PWRSAV instructions clear the prescaler and postscaler counts when executed.

### 23.4.2 SLEEP AND IDLE MODES

If the WDT is enabled, it will continue to run during Sleep or Idle modes. When the WDT time-out occurs, the device will wake the device and code execution will continue from where the PWRSAV instruction was executed. The corresponding SLEEP or IDLE bits (RCON<3:2>) will need to be cleared in software after the device wakes up.

### 23.4.3 ENABLING WDT

The WDT is enabled or disabled by the FWDTEN Configuration bit in the FWDT Configuration register. When the FWDTEN Configuration bit is set, the WDT is always enabled.

The WDT can be optionally controlled in software when the FWDTEN Configuration bit has been programmed to '0'. The WDT is enabled in software by setting the SWDTEN control bit (RCON<5>). The SWDTEN control bit is cleared on any device Reset. The software WDT option allows the user application to enable the WDT for critical code segments and disables the WDT during non-critical segments for maximum power savings.

**Note:** If the WINDIS bit (FWDT<6>) is cleared, the CLRWDT instruction should be executed by the application software only during the last 1/4 of the WDT period. This CLRWDT window can be determined by using a timer. If a CLRWDT instruction is executed before this window, a WDT Reset occurs.

The WDT flag bit, WDTO (RCON<4>), is not automatically cleared following a WDT time-out. To detect subsequent WDT events, the flag must be cleared in software.

**FIGURE 23-2: WDT BLOCK DIAGRAM**



## 23.5 In-Circuit Serial Programming™ (ICSP™)

Devices can be serially programmed while in the end application circuit. This is done with two lines for clock and data and three other lines for power, ground and the programming sequence. Serial programming allows customers to manufacture boards with unprogrammed devices and then program the Digital Signal Controller just before shipping the product. Serial programming also allows the most recent firmware or a custom firmware to be programmed. Refer to the “*dsPIC33F Flash Programming Specification for Devices with Volatile Configuration Bits*” (DS70659) for details about In-Circuit Serial Programming (ICSP).

Any of the three pairs of programming clock/data pins can be used:

- PGEC1 and PGED1
- PGEC2 and PGED2
- PGEC3 and PGED3

## 23.6 In-Circuit Debugger

When MPLAB® ICD 3 is selected as a debugger, the in-circuit debugging functionality is enabled. This function allows simple debugging functions when used with MPLAB IDE. Debugging functionality is controlled through the PGECx (Emulation/Debug Clock) and PGEDx (Emulation/Debug Data) pin functions.

Any of the three pairs of debugging clock/data pins can be used:

- PGEC1 and PGED1
- PGEC2 and PGED2
- PGEC3 and PGED3

To use the in-circuit debugger function of the device, the design must implement ICSP connections to  $\overline{\text{MCLR}}$ ,  $V_{\text{DD}}$ ,  $V_{\text{SS}}$  and the PGECx/PGEDx pin pair. In addition, when the feature is enabled, some of the resources are not available for general use. These resources include the first 80 bytes of data RAM and two I/O pins.

## 24.0 INSTRUCTION SET SUMMARY

**Note:** This data sheet summarizes the features of the dsPIC33FJ16(GP/MC)101/102 and dsPIC33FJ32(GP/MC)101/102/104 devices. However, it is not intended to be a comprehensive reference source. To complement the information in this data sheet, refer to the latest family reference sections of the “dsPIC33F/PIC24H Family Reference Manual”, which are available from the Microchip web site ([www.microchip.com](http://www.microchip.com)).

The dsPIC33F instruction set is identical to that of the dsPIC30F.

Most instructions are a single program memory word (24 bits). Only three instructions require two program memory locations.

Each single-word instruction is a 24-bit word, divided into an 8-bit opcode, which specifies the instruction type and one or more operands, which further specify the operation of the instruction.

The instruction set is highly orthogonal and is grouped into five basic categories:

- Word or byte-oriented operations
- Bit-oriented operations
- Literal operations
- DSP operations
- Control operations

Table 24-1 shows the general symbols used in describing the instructions.

The dsPIC33F instruction set summary in Table 24-2 lists all the instructions, along with the status flags affected by each instruction.

Most word or byte-oriented W register instructions (including barrel shift instructions) have three operands:

- The first source operand, which is typically a register ‘Wb’ without any address modifier
- The second source operand, which is typically a register ‘Ws’ with or without an address modifier
- The destination of the result, which is typically a register ‘Wd’ with or without an address modifier

However, word or byte-oriented file register instructions have two operands:

- The file register specified by the value ‘f’
- The destination, which could be either the file register ‘f’ or the W0 register, which is denoted as ‘WREG’

Most bit-oriented instructions (including simple rotate/shift instructions) have two operands:

- The W register (with or without an address modifier) or file register (specified by the value of ‘Ws’ or ‘f’)
- The bit in the W register or file register (specified by a literal value or indirectly by the contents of register ‘Wb’)

The literal instructions that involve data movement can use some of the following operands:

- A literal value to be loaded into a W register or file register (specified by ‘k’)
- The W register or file register where the literal value is to be loaded (specified by ‘Wb’ or ‘f’)

However, literal instructions that involve arithmetic or logical operations use some of the following operands:

- The first source operand, which is a register ‘Wb’ without any address modifier
- The second source operand, which is a literal value
- The destination of the result (only if not the same as the first source operand), which is typically a register ‘Wd’ with or without an address modifier

The MAC class of DSP instructions can use some of the following operands:

- The accumulator (A or B) to be used (required operand)
- The W registers to be used as the two operands
- The X and Y address space prefetch operations
- The X and Y address space prefetch destinations
- The accumulator write-back destination

The other DSP instructions do not involve any multiplication and can include:

- The accumulator to be used (required)
- The source or destination operand (designated as Wso or Wdo, respectively) with or without an address modifier
- The amount of shift specified by a W register ‘Wn’ or a literal value

The control instructions can use some of the following operands:

- A program memory address
- The mode of the table read and table write instructions

# dsPIC33FJ16(GP/MC)101/102 AND dsPIC33FJ32(GP/MC)101/102/104

Most instructions are a single word. Certain double-word instructions are designed to provide all the required information in these 48 bits. In the second word, the 8 MSBs are '0's. If this second word is executed as an instruction (by itself), it will execute as a NOP.

The double-word instructions execute in two instruction cycles.

Most single-word instructions are executed in a single instruction cycle, unless a conditional test is true, or the Program Counter is changed as a result of the instruction. In these cases, the execution takes two instruction cycles with the additional instruction cycle(s) executed

as a NOP. Notable exceptions are the BRA (unconditional/computed branch), indirect CALL/GOTO, all table reads and writes and RETURN/RETFIE instructions, which are single-word instructions but take two or three cycles. Certain instructions that involve skipping over the subsequent instruction require either two or three cycles if the skip is performed, depending on whether the instruction being skipped is a single-word or two-word instruction. Moreover, double-word moves require two cycles.

**Note:** For more details on the instruction set, refer to the "16-Bit MCU and DSC Programmer's Reference Manual" (DS70157).

**TABLE 24-1: SYMBOLS USED IN OPCODE DESCRIPTIONS**

| Field           | Description   |
|-----------------|---|
| #text           | Means literal defined by "text"   |
| (text)          | Means "content of text"   |
| [text]          | Means "the location addressed by text"  |
| { }             | Optional field or operation   |
| <n:m>           | Register bit field  |
| .b              | Byte mode selection   |
| .d              | Double-Word mode selection  |
| .S              | Shadow register select  |
| .w              | Word mode selection (default)   |
| Acc             | One of two accumulators {A, B}  |
| AWB             | Accumulator write-back destination address register $\in \{W13, [W13]+ = 2\}$               |
| bit4            | 4-bit bit selection field (used in word addressed instructions) $\in \{0...15\}$            |
| C, DC, N, OV, Z | MCU Status bits: Carry, Digit Carry, Negative, Overflow, Sticky Zero                        |
| Expr            | Absolute address, label or expression (resolved by the linker)                              |
| f               | File register address $\in \{0x0000...0x1FFF\}$   |
| lit1            | 1-bit unsigned literal $\in \{0,1\}$  |
| lit4            | 4-bit unsigned literal $\in \{0...15\}$   |
| lit5            | 5-bit unsigned literal $\in \{0...31\}$   |
| lit8            | 8-bit unsigned literal $\in \{0...255\}$  |
| lit10           | 10-bit unsigned literal $\in \{0...255\}$ for Byte mode, $\{0:1023\}$ for Word mode         |
| lit14           | 14-bit unsigned literal $\in \{0...16384\}$   |
| lit16           | 16-bit unsigned literal $\in \{0...65535\}$   |
| lit23           | 23-bit unsigned literal $\in \{0...8388608\}$ ; LSb must be '0'                             |
| None            | Field does not require an entry, can be blank   |
| OA, OB, SA, SB  | DSP Status bits: ACCA Overflow, ACCB Overflow, ACCA Saturate, ACCB Saturate                 |
| PC              | Program Counter   |
| Slit10          | 10-bit signed literal $\in \{-512...511\}$  |
| Slit16          | 16-bit signed literal $\in \{-32768...32767\}$  |
| Slit6           | 6-bit signed literal $\in \{-16...16\}$   |
| Wb              | Base W register $\in \{W0..W15\}$   |
| Wd              | Destination W register $\in \{Wd, [Wd], [Wd++] , [Wd--], [++Wd], [--Wd] \}$                 |
| Wdo             | Destination W register $\in \{Wnd, [Wnd], [Wnd++] , [Wnd--], [++Wnd], [--Wnd], [Wnd+Wb] \}$ |
| Wm,Wn           | Dividend, Divisor working register pair (direct addressing)                                 |

**TABLE 24-1: SYMBOLS USED IN OPCODE DESCRIPTIONS (CONTINUED)**

| Field | Description   |
|-------|---|
| Wm*Wm | Multiplicand and Multiplier working register pair for Square instructions $\in \{W4 * W4, W5 * W5, W6 * W6, W7 * W7\}$  |
| Wm*Wn | Multiplicand and Multiplier working register pair for DSP instructions $\in \{W4 * W5, W4 * W6, W4 * W7, W5 * W6, W5 * W7, W6 * W7\}$   |
| Wn    | One of 16 working registers $\in \{W0..W15\}$   |
| Wnd   | One of 16 destination working registers $\in \{W0..W15\}$   |
| Wns   | One of 16 source working registers $\in \{W0..W15\}$  |
| WREG  | W0 (working register used in file register instructions)  |
| Ws    | Source W register $\in \{Ws, [Ws], [Ws++] , [Ws--], [++Ws], [--Ws]\}$   |
| Wso   | Source W register $\in \{Wns, [Wns], [Wns++] , [Wns--], [++Wns], [--Wns], [Wns+Wb]\}$   |
| Wx    | X data space prefetch address register for DSP instructions<br>$\in \{[W8] + = 6, [W8] + = 4, [W8] + = 2, [W8], [W8] - = 6, [W8] - = 4, [W8] - = 2, [W9] + = 6, [W9] + = 4, [W9] + = 2, [W9], [W9] - = 6, [W9] - = 4, [W9] - = 2, [W9 + W12], \text{none}\}$                |
| Wxd   | X data space prefetch destination register for DSP instructions $\in \{W4..W7\}$  |
| Wy    | Y data space prefetch address register for DSP instructions<br>$\in \{[W10] + = 6, [W10] + = 4, [W10] + = 2, [W10], [W10] - = 6, [W10] - = 4, [W10] - = 2, [W11] + = 6, [W11] + = 4, [W11] + = 2, [W11], [W11] - = 6, [W11] - = 4, [W11] - = 2, [W11 + W12], \text{none}\}$ |
| Wyd   | Y data space prefetch destination register for DSP instructions $\in \{W4..W7\}$  |

# dsPIC33FJ16(GP/MC)101/102 AND dsPIC33FJ32(GP/MC)101/102/104

**TABLE 24-2: INSTRUCTION SET OVERVIEW**

| Base Instr #       | Assembly Mnemonic | Assembly Syntax             | Description  | # of Words | # of Cycles | Status Flags Affected |
|--------------------|-------------------|-----------------------------|--|------------|-------------|-----------------------|
| 1                  | ADD               | ADD <i>Acc</i>              | Add Accumulators   | 1          | 1           | OA,OB,SA,SB           |
|                    |                   | ADD <i>f</i>                | $f = f + WREG$   | 1          | 1           | C,DC,N,OV,Z           |
|                    |                   | ADD <i>f, WREG</i>          | $WREG = f + WREG$  | 1          | 1           | C,DC,N,OV,Z           |
|                    |                   | ADD #lit10, <i>Wn</i>       | $Wd = lit10 + Wd$  | 1          | 1           | C,DC,N,OV,Z           |
|                    |                   | ADD <i>Wb, Ws, Wd</i>       | $Wd = Wb + Ws$   | 1          | 1           | C,DC,N,OV,Z           |
|                    |                   | ADD <i>Wb, #lit5, Wd</i>    | $Wd = Wb + lit5$   | 1          | 1           | C,DC,N,OV,Z           |
|                    |                   | ADD <i>Wso, #Slit4, Acc</i> | 16-bit Signed Add to Accumulator                           | 1          | 1           | OA,OB,SA,SB           |
| 2                  | ADDC              | ADDC <i>f</i>               | $f = f + WREG + (C)$                                       | 1          | 1           | C,DC,N,OV,Z           |
|                    |                   | ADDC <i>f, WREG</i>         | $WREG = f + WREG + (C)$                                    | 1          | 1           | C,DC,N,OV,Z           |
|                    |                   | ADDC #lit10, <i>Wn</i>      | $Wd = lit10 + Wd + (C)$                                    | 1          | 1           | C,DC,N,OV,Z           |
|                    |                   | ADDC <i>Wb, Ws, Wd</i>      | $Wd = Wb + Ws + (C)$                                       | 1          | 1           | C,DC,N,OV,Z           |
|                    |                   | ADDC <i>Wb, #lit5, Wd</i>   | $Wd = Wb + lit5 + (C)$                                     | 1          | 1           | C,DC,N,OV,Z           |
| 3                  | AND               | AND <i>f</i>                | $f = f .AND. WREG$   | 1          | 1           | N,Z                   |
|                    |                   | AND <i>f, WREG</i>          | $WREG = f .AND. WREG$                                      | 1          | 1           | N,Z                   |
|                    |                   | AND #lit10, <i>Wn</i>       | $Wd = lit10 .AND. Wd$                                      | 1          | 1           | N,Z                   |
|                    |                   | AND <i>Wb, Ws, Wd</i>       | $Wd = Wb .AND. Ws$   | 1          | 1           | N,Z                   |
|                    |                   | AND <i>Wb, #lit5, Wd</i>    | $Wd = Wb .AND. lit5$                                       | 1          | 1           | N,Z                   |
| 4                  | ASR               | ASR <i>f</i>                | $f = \text{Arithmetic Right Shift } f$                     | 1          | 1           | C,N,OV,Z              |
|                    |                   | ASR <i>f, WREG</i>          | $WREG = \text{Arithmetic Right Shift } f$                  | 1          | 1           | C,N,OV,Z              |
|                    |                   | ASR <i>Ws, Wd</i>           | $Wd = \text{Arithmetic Right Shift } Ws$                   | 1          | 1           | C,N,OV,Z              |
|                    |                   | ASR <i>Wb, Wns, Wnd</i>     | $Wnd = \text{Arithmetic Right Shift } Wb \text{ by } Wns$  | 1          | 1           | N,Z                   |
|                    |                   | ASR <i>Wb, #lit5, Wnd</i>   | $Wnd = \text{Arithmetic Right Shift } Wb \text{ by } lit5$ | 1          | 1           | N,Z                   |
| 5                  | BCLR              | BCLR <i>f, #bit4</i>        | Bit Clear <i>f</i>   | 1          | 1           | None                  |
|                    |                   | BCLR <i>Ws, #bit4</i>       | Bit Clear <i>Ws</i>  | 1          | 1           | None                  |
| 6                  | BRA               | BRA <i>C, Expr</i>          | Branch if Carry  | 1          | 1 (2)       | None                  |
|                    |                   | BRA <i>GE, Expr</i>         | Branch if greater than or equal                            | 1          | 1 (2)       | None                  |
|                    |                   | BRA <i>GEU, Expr</i>        | Branch if unsigned greater than or equal                   | 1          | 1 (2)       | None                  |
|                    |                   | BRA <i>GT, Expr</i>         | Branch if greater than                                     | 1          | 1 (2)       | None                  |
|                    |                   | BRA <i>GTU, Expr</i>        | Branch if unsigned greater than                            | 1          | 1 (2)       | None                  |
|                    |                   | BRA <i>LE, Expr</i>         | Branch if less than or equal                               | 1          | 1 (2)       | None                  |
|                    |                   | BRA <i>LEU, Expr</i>        | Branch if unsigned less than or equal                      | 1          | 1 (2)       | None                  |
|                    |                   | BRA <i>LT, Expr</i>         | Branch if less than  | 1          | 1 (2)       | None                  |
|                    |                   | BRA <i>LTU, Expr</i>        | Branch if unsigned less than                               | 1          | 1 (2)       | None                  |
|                    |                   | BRA <i>N, Expr</i>          | Branch if Negative   | 1          | 1 (2)       | None                  |
|                    |                   | BRA <i>NC, Expr</i>         | Branch if Not Carry  | 1          | 1 (2)       | None                  |
|                    |                   | BRA <i>NN, Expr</i>         | Branch if Not Negative                                     | 1          | 1 (2)       | None                  |
|                    |                   | BRA <i>NOV, Expr</i>        | Branch if Not Overflow                                     | 1          | 1 (2)       | None                  |
|                    |                   | BRA <i>NZ, Expr</i>         | Branch if Not Zero   | 1          | 1 (2)       | None                  |
|                    |                   | BRA <i>OA, Expr</i>         | Branch if Accumulator A overflow                           | 1          | 1 (2)       | None                  |
|                    |                   | BRA <i>OB, Expr</i>         | Branch if Accumulator B overflow                           | 1          | 1 (2)       | None                  |
|                    |                   | BRA <i>OV, Expr</i>         | Branch if Overflow   | 1          | 1 (2)       | None                  |
|                    |                   | BRA <i>SA, Expr</i>         | Branch if Accumulator A saturated                          | 1          | 1 (2)       | None                  |
|                    |                   | BRA <i>SB, Expr</i>         | Branch if Accumulator B saturated                          | 1          | 1 (2)       | None                  |
|                    |                   | BRA <i>Expr</i>             | Branch Unconditionally                                     | 1          | 2           | None                  |
| BRA <i>Z, Expr</i> | Branch if Zero    | 1                           | 1 (2)  | None       |             |                       |
| BRA <i>Wn</i>      | Computed Branch   | 1                           | 2  | None       |             |                       |
| 7                  | BSET              | BSET <i>f, #bit4</i>        | Bit Set <i>f</i>   | 1          | 1           | None                  |
|                    |                   | BSET <i>Ws, #bit4</i>       | Bit Set <i>Ws</i>  | 1          | 1           | None                  |
| 8                  | BSW               | BSW.C <i>Ws, Wb</i>         | Write C bit to $Ws<Wb>$                                    | 1          | 1           | None                  |
|                    |                   | BSW.Z <i>Ws, Wb</i>         | Write Z bit to $Ws<Wb>$                                    | 1          | 1           | None                  |

# dsPIC33FJ16(GP/MC)101/102 AND dsPIC33FJ32(GP/MC)101/102/104

**TABLE 24-2: INSTRUCTION SET OVERVIEW (CONTINUED)**

| Base Instr # | Assembly Mnemonic | Assembly Syntax  | Description  | # of Words | # of Cycles   | Status Flags Affected |
|--------------|-------------------|--|--|------------|---------------|-----------------------|
| 9            | BTG               | BTG <i>f</i> , #bit4   | Bit Toggle <i>f</i>  | 1          | 1             | None                  |
|              |                   | BTG <i>Ws</i> , #bit4  | Bit Toggle <i>Ws</i>   | 1          | 1             | None                  |
| 10           | BTSC              | BTSC <i>f</i> , #bit4  | Bit Test <i>f</i> , Skip if Clear                                | 1          | 1<br>(2 or 3) | None                  |
|              |                   | BTSC <i>Ws</i> , #bit4   | Bit Test <i>Ws</i> , Skip if Clear                               | 1          | 1<br>(2 or 3) | None                  |
| 11           | BTSS              | BTSS <i>f</i> , #bit4  | Bit Test <i>f</i> , Skip if Set                                  | 1          | 1<br>(2 or 3) | None                  |
|              |                   | BTSS <i>Ws</i> , #bit4   | Bit Test <i>Ws</i> , Skip if Set                                 | 1          | 1<br>(2 or 3) | None                  |
| 12           | BTST              | BTST <i>f</i> , #bit4  | Bit Test <i>f</i>  | 1          | 1             | Z                     |
|              |                   | BTST.C <i>Ws</i> , #bit4   | Bit Test <i>Ws</i> to C  | 1          | 1             | C                     |
|              |                   | BTST.Z <i>Ws</i> , #bit4   | Bit Test <i>Ws</i> to Z  | 1          | 1             | Z                     |
|              |                   | BTST.C <i>Ws</i> , Wb  | Bit Test <i>Ws</i> <Wb> to C                                     | 1          | 1             | C                     |
|              |                   | BTST.Z <i>Ws</i> , Wb  | Bit Test <i>Ws</i> <Wb> to Z                                     | 1          | 1             | Z                     |
| 13           | BTSTS             | BTSTS <i>f</i> , #bit4   | Bit Test then Set <i>f</i>                                       | 1          | 1             | Z                     |
|              |                   | BTSTS.C <i>Ws</i> , #bit4  | Bit Test <i>Ws</i> to C, then Set                                | 1          | 1             | C                     |
|              |                   | BTSTS.Z <i>Ws</i> , #bit4  | Bit Test <i>Ws</i> to Z, then Set                                | 1          | 1             | Z                     |
| 14           | CALL              | CALL <i>lit</i> 23   | Call subroutine  | 2          | 2             | None                  |
|              |                   | CALL <i>Wn</i>   | Call indirect subroutine   | 1          | 2             | None                  |
| 15           | CLR               | CLR <i>f</i>   | $f = 0x0000$   | 1          | 1             | None                  |
|              |                   | CLR WREG   | WREG = 0x0000  | 1          | 1             | None                  |
|              |                   | CLR <i>Ws</i>  | $Ws = 0x0000$  | 1          | 1             | None                  |
|              |                   | CLR <i>Acc</i> , <i>Wx</i> , <i>Wxd</i> , <i>Wy</i> , <i>Wyd</i> , AWB | Clear Accumulator  | 1          | 1             | OA,OB,SA,SB           |
| 16           | CLRWDT            | CLRWDT   | Clear Watchdog Timer   | 1          | 1             | WDTO,Sleep            |
| 17           | COM               | COM <i>f</i>   | $f = \bar{f}$  | 1          | 1             | N,Z                   |
|              |                   | COM <i>f</i> , WREG  | WREG = $\bar{f}$   | 1          | 1             | N,Z                   |
|              |                   | COM <i>Ws</i> , Wd   | $Wd = \bar{Ws}$  | 1          | 1             | N,Z                   |
| 18           | CP                | CP <i>f</i>  | Compare <i>f</i> with WREG                                       | 1          | 1             | C,DC,N,OV,Z           |
|              |                   | CP <i>Wb</i> , #lit5   | Compare <i>Wb</i> with lit5                                      | 1          | 1             | C,DC,N,OV,Z           |
|              |                   | CP <i>Wb</i> , <i>Ws</i>   | Compare <i>Wb</i> with <i>Ws</i> ( $Wb - Ws$ )                   | 1          | 1             | C,DC,N,OV,Z           |
| 19           | CP0               | CP0 <i>f</i>   | Compare <i>f</i> with 0x0000                                     | 1          | 1             | C,DC,N,OV,Z           |
|              |                   | CP0 <i>Ws</i>  | Compare <i>Ws</i> with 0x0000                                    | 1          | 1             | C,DC,N,OV,Z           |
| 20           | CPB               | CPB <i>f</i>   | Compare <i>f</i> with WREG, with Borrow                          | 1          | 1             | C,DC,N,OV,Z           |
|              |                   | CPB <i>Wb</i> , #lit5  | Compare <i>Wb</i> with lit5, with Borrow                         | 1          | 1             | C,DC,N,OV,Z           |
|              |                   | CPB <i>Wb</i> , <i>Ws</i>  | Compare <i>Wb</i> with <i>Ws</i> , with Borrow ( $Wb - Ws - C$ ) | 1          | 1             | C,DC,N,OV,Z           |
| 21           | CPSEQ             | CPSEQ <i>Wb</i> , <i>Wn</i>  | Compare <i>Wb</i> with <i>Wn</i> , skip if =                     | 1          | 1<br>(2 or 3) | None                  |
| 22           | CPSGT             | CPSGT <i>Wb</i> , <i>Wn</i>  | Compare <i>Wb</i> with <i>Wn</i> , skip if >                     | 1          | 1<br>(2 or 3) | None                  |
| 23           | CPSLT             | CPSLT <i>Wb</i> , <i>Wn</i>  | Compare <i>Wb</i> with <i>Wn</i> , skip if <                     | 1          | 1<br>(2 or 3) | None                  |
| 24           | CPSNE             | CPSNE <i>Wb</i> , <i>Wn</i>  | Compare <i>Wb</i> with <i>Wn</i> , skip if ≠                     | 1          | 1<br>(2 or 3) | None                  |
| 25           | DAW               | DAW <i>Wn</i>  | <i>Wn</i> = decimal adjust <i>Wn</i>                             | 1          | 1             | C                     |
| 26           | DEC               | DEC <i>f</i>   | $f = f - 1$  | 1          | 1             | C,DC,N,OV,Z           |
|              |                   | DEC <i>f</i> , WREG  | WREG = $f - 1$   | 1          | 1             | C,DC,N,OV,Z           |
|              |                   | DEC <i>Ws</i> , Wd   | $Wd = Ws - 1$  | 1          | 1             | C,DC,N,OV,Z           |
| 27           | DEC2              | DEC2 <i>f</i>  | $f = f - 2$  | 1          | 1             | C,DC,N,OV,Z           |
|              |                   | DEC2 <i>f</i> , WREG   | WREG = $f - 2$   | 1          | 1             | C,DC,N,OV,Z           |
|              |                   | DEC2 <i>Ws</i> , Wd  | $Wd = Ws - 2$  | 1          | 1             | C,DC,N,OV,Z           |
| 28           | DISI              | DISI #lit14  | Disable Interrupts for <i>k</i> instruction cycles               | 1          | 1             | None                  |

# dsPIC33FJ16(GP/MC)101/102 AND dsPIC33FJ32(GP/MC)101/102/104

**TABLE 24-2: INSTRUCTION SET OVERVIEW (CONTINUED)**

| Base Instr #  | Assembly Mnemonic                      | Assembly Syntax                       | Description                            | # of Words | # of Cycles | Status Flags Affected |
|---------------|--|---------------------------------------|--|------------|-------------|-----------------------|
| 29            | DIV                                    | DIV.S Wm, Wn                          | Signed 16/16-bit Integer Divide        | 1          | 18          | N,Z,C,OV              |
|               |  | DIV.SD Wm, Wn                         | Signed 32/16-bit Integer Divide        | 1          | 18          | N,Z,C,OV              |
|               |  | DIV.U Wm, Wn                          | Unsigned 16/16-bit Integer Divide      | 1          | 18          | N,Z,C,OV              |
|               |  | DIV.UD Wm, Wn                         | Unsigned 32/16-bit Integer Divide      | 1          | 18          | N,Z,C,OV              |
| 30            | DIVF                                   | DIVF Wm, Wn                           | Signed 16/16-bit Fractional Divide     | 1          | 18          | N,Z,C,OV              |
| 31            | DO                                     | DO #lit14, Expr                       | Do code to PC + Expr, lit14 + 1 times  | 2          | 2           | None                  |
|               |  | DO Wn, Expr                           | Do code to PC + Expr, (Wn) + 1 times   | 2          | 2           | None                  |
| 32            | ED                                     | ED Wm*Wm, Acc, Wx, Wy, Wxd            | Euclidean Distance (no accumulate)     | 1          | 1           | OA,OB,OAB, SA,SB,SAB  |
| 33            | EDAC                                   | EDAC Wm*Wm, Acc, Wx, Wy, Wxd          | Euclidean Distance                     | 1          | 1           | OA,OB,OAB, SA,SB,SAB  |
| 34            | EXCH                                   | EXCH Wns, Wnd                         | Swap Wns with Wnd                      | 1          | 1           | None                  |
| 35            | FBCL                                   | FBCL Ws, Wnd                          | Find Bit Change from Left (MSb) Side   | 1          | 1           | C                     |
| 36            | FF1L                                   | FF1L Ws, Wnd                          | Find First One from Left (MSb) Side    | 1          | 1           | C                     |
| 37            | FF1R                                   | FF1R Ws, Wnd                          | Find First One from Right (LSb) Side   | 1          | 1           | C                     |
| 38            | GOTO                                   | GOTO Expr                             | Go to address                          | 2          | 2           | None                  |
|               |  | GOTO Wn                               | Go to indirect                         | 1          | 2           | None                  |
| 39            | INC                                    | INC f                                 | f = f + 1                              | 1          | 1           | C,DC,N,OV,Z           |
|               |  | INC f, WREG                           | WREG = f + 1                           | 1          | 1           | C,DC,N,OV,Z           |
|               |  | INC Ws, Wd                            | Wd = Ws + 1                            | 1          | 1           | C,DC,N,OV,Z           |
| 40            | INC2                                   | INC2 f                                | f = f + 2                              | 1          | 1           | C,DC,N,OV,Z           |
|               |  | INC2 f, WREG                          | WREG = f + 2                           | 1          | 1           | C,DC,N,OV,Z           |
|               |  | INC2 Ws, Wd                           | Wd = Ws + 2                            | 1          | 1           | C,DC,N,OV,Z           |
| 41            | IOR                                    | IOR f                                 | f = f .IOR. WREG                       | 1          | 1           | N,Z                   |
|               |  | IOR f, WREG                           | WREG = f .IOR. WREG                    | 1          | 1           | N,Z                   |
|               |  | IOR #lit10, Wn                        | Wd = lit10 .IOR. Wd                    | 1          | 1           | N,Z                   |
|               |  | IOR Wb, Ws, Wd                        | Wd = Wb .IOR. Ws                       | 1          | 1           | N,Z                   |
|               |  | IOR Wb, #lit5, Wd                     | Wd = Wb .IOR. lit5                     | 1          | 1           | N,Z                   |
| 42            | LAC                                    | LAC Wso, #Slit4, Acc                  | Load Accumulator                       | 1          | 1           | OA,OB,OAB, SA,SB,SAB  |
| 43            | LNK                                    | LNK #lit14                            | Link Frame Pointer                     | 1          | 1           | None                  |
| 44            | LSR                                    | LSR f                                 | f = Logical Right Shift f              | 1          | 1           | C,N,OV,Z              |
|               |  | LSR f, WREG                           | WREG = Logical Right Shift f           | 1          | 1           | C,N,OV,Z              |
|               |  | LSR Ws, Wd                            | Wd = Logical Right Shift Ws            | 1          | 1           | C,N,OV,Z              |
|               |  | LSR Wb, Wns, Wnd                      | Wnd = Logical Right Shift Wb by Wns    | 1          | 1           | N,Z                   |
|               |  | LSR Wb, #lit5, Wnd                    | Wnd = Logical Right Shift Wb by lit5   | 1          | 1           | N,Z                   |
| 45            | MAC                                    | MAC Wm*Wn, Acc, Wx, Wxd, Wy, Wyd, AWB | Multiply and Accumulate                | 1          | 1           | OA,OB,OAB, SA,SB,SAB  |
|               |  | MAC Wm*Wm, Acc, Wx, Wxd, Wy, Wyd      | Square and Accumulate                  | 1          | 1           | OA,OB,OAB, SA,SB,SAB  |
| 46            | MOV                                    | MOV f, Wn                             | Move f to Wn                           | 1          | 1           | None                  |
|               |  | MOV f                                 | Move f to f                            | 1          | 1           | N,Z                   |
|               |  | MOV f, WREG                           | Move f to WREG                         | 1          | 1           | None                  |
|               |  | MOV #lit16, Wn                        | Move 16-bit literal to Wn              | 1          | 1           | None                  |
|               |  | MOV.b #lit8, Wn                       | Move 8-bit literal to Wn               | 1          | 1           | None                  |
|               |  | MOV Wn, f                             | Move Wn to f                           | 1          | 1           | None                  |
|               |  | MOV Wso, Wdo                          | Move Ws to Wd                          | 1          | 1           | None                  |
|               |  | MOV WREG, f                           | Move WREG to f                         | 1          | 1           | None                  |
|               |  | MOV.D Wns, Wd                         | Move Double from W(ns):W(ns + 1) to Wd | 1          | 2           | None                  |
| MOV.D Ws, Wnd | Move Double from Ws to W(nd + 1):W(nd) | 1                                     | 2                                      | None       |             |                       |
| 47            | MOVSAC                                 | MOVSAC Acc, Wx, Wxd, Wy, Wyd, AWB     | Prefetch and store accumulator         | 1          | 1           | None                  |



# dsPIC33FJ16(GP/MC)101/102 AND dsPIC33FJ32(GP/MC)101/102/104

**TABLE 24-2: INSTRUCTION SET OVERVIEW (CONTINUED)**

| Base Instr # | Assembly Mnemonic | Assembly Syntax                       | Description                                    | # of Words | # of Cycles | Status Flags Affected |
|--------------|-------------------|---------------------------------------|--|------------|-------------|-----------------------|
| 48           | MPY               | MPY Wm*Wn, Acc, Wx, Wxd, Wy, Wyd      | Multiply Wm by Wn to Accumulator               | 1          | 1           | OA,OB,OAB, SA,SB,SAB  |
|              |                   | MPY Wm*Wm, Acc, Wx, Wxd, Wy, Wyd      | Square Wm to Accumulator                       | 1          | 1           | OA,OB,OAB, SA,SB,SAB  |
| 49           | MPY.N             | MPY.N Wm*Wn, Acc, Wx, Wxd, Wy, Wyd    | (Multiply Wm by Wn) to Accumulator             | 1          | 1           | None                  |
| 50           | MSC               | MSC Wm*Wm, Acc, Wx, Wxd, Wy, Wyd, AWB | Multiply and Subtract from Accumulator         | 1          | 1           | OA,OB,OAB, SA,SB,SAB  |
| 51           | MUL               | MUL.SS Wb, Ws, Wnd                    | {Wnd + 1, Wnd} = signed(Wb) * signed(Ws)       | 1          | 1           | None                  |
|              |                   | MUL.SU Wb, Ws, Wnd                    | {Wnd + 1, Wnd} = signed(Wb) * unsigned(Ws)     | 1          | 1           | None                  |
|              |                   | MUL.US Wb, Ws, Wnd                    | {Wnd + 1, Wnd} = unsigned(Wb) * signed(Ws)     | 1          | 1           | None                  |
|              |                   | MUL.UU Wb, Ws, Wnd                    | {Wnd + 1, Wnd} = unsigned(Wb) * unsigned(Ws)   | 1          | 1           | None                  |
|              |                   | MUL.SU Wb, #lit5, Wnd                 | {Wnd + 1, Wnd} = signed(Wb) * unsigned(lit5)   | 1          | 1           | None                  |
|              |                   | MUL.UU Wb, #lit5, Wnd                 | {Wnd + 1, Wnd} = unsigned(Wb) * unsigned(lit5) | 1          | 1           | None                  |
|              |                   | MUL f                                 | W3:W2 = f * WREG                               | 1          | 1           | None                  |
| 52           | NEG               | NEG Acc                               | Negate Accumulator                             | 1          | 1           | OA,OB,OAB, SA,SB,SAB  |
|              |                   | NEG f                                 | $f = \bar{f} + 1$                              | 1          | 1           | C,DC,N,OV,Z           |
|              |                   | NEG f, WREG                           | $WREG = \bar{f} + 1$                           | 1          | 1           | C,DC,N,OV,Z           |
|              |                   | NEG Ws, Wd                            | $Wd = \overline{Ws} + 1$                       | 1          | 1           | C,DC,N,OV,Z           |
| 53           | NOP               | NOP                                   | No Operation                                   | 1          | 1           | None                  |
|              |                   | NOPR                                  | No Operation                                   | 1          | 1           | None                  |
| 54           | POP               | POP f                                 | Pop f from Top-of-Stack (TOS)                  | 1          | 1           | None                  |
|              |                   | POP Wdo                               | Pop from Top-of-Stack (TOS) to Wdo             | 1          | 1           | None                  |
|              |                   | POP.D Wnd                             | Pop from Top-of-Stack (TOS) to W(nd):W(nd + 1) | 1          | 2           | None                  |
|              |                   | POP.S                                 | Pop Shadow Registers                           | 1          | 1           | All                   |
| 55           | PUSH              | PUSH f                                | Push f to Top-of-Stack (TOS)                   | 1          | 1           | None                  |
|              |                   | PUSH Wso                              | Push Wso to Top-of-Stack (TOS)                 | 1          | 1           | None                  |
|              |                   | PUSH.D Wns                            | Push W(ns):W(ns + 1) to Top-of-Stack (TOS)     | 1          | 2           | None                  |
|              |                   | PUSH.S                                | Push Shadow Registers                          | 1          | 1           | None                  |
| 56           | PWRSVAV           | PWRSVAV #lit1                         | Go into Sleep or Idle mode                     | 1          | 1           | WDTO,Sleep            |
| 57           | RCALL             | RCALL Expr                            | Relative Call                                  | 1          | 2           | None                  |
|              |                   | RCALL Wn                              | Computed Call                                  | 1          | 2           | None                  |
| 58           | REPEAT            | REPEAT #lit14                         | Repeat Next Instruction lit14 + 1 times        | 1          | 1           | None                  |
|              |                   | REPEAT Wn                             | Repeat Next Instruction (Wn) + 1 times         | 1          | 1           | None                  |
| 59           | RESET             | RESET                                 | Software device Reset                          | 1          | 1           | None                  |
| 60           | RETFIE            | RETFIE                                | Return from interrupt                          | 1          | 3 (2)       | None                  |
| 61           | RETLW             | RETLW #lit10, Wn                      | Return with literal in Wn                      | 1          | 3 (2)       | None                  |
| 62           | RETURN            | RETURN                                | Return from Subroutine                         | 1          | 3 (2)       | None                  |
| 63           | RLC               | RLC f                                 | f = Rotate Left through Carry f                | 1          | 1           | C,N,Z                 |
|              |                   | RLC f, WREG                           | WREG = Rotate Left through Carry f             | 1          | 1           | C,N,Z                 |
|              |                   | RLC Ws, Wd                            | Wd = Rotate Left through Carry Ws              | 1          | 1           | C,N,Z                 |
| 64           | RLNC              | RLNC f                                | f = Rotate Left (No Carry) f                   | 1          | 1           | N,Z                   |
|              |                   | RLNC f, WREG                          | WREG = Rotate Left (No Carry) f                | 1          | 1           | N,Z                   |
|              |                   | RLNC Ws, Wd                           | Wd = Rotate Left (No Carry) Ws                 | 1          | 1           | N,Z                   |
| 65           | RRC               | RRC f                                 | f = Rotate Right through Carry f               | 1          | 1           | C,N,Z                 |
|              |                   | RRC f, WREG                           | WREG = Rotate Right through Carry f            | 1          | 1           | C,N,Z                 |
|              |                   | RRC Ws, Wd                            | Wd = Rotate Right through Carry Ws             | 1          | 1           | C,N,Z                 |

# dsPIC33FJ16(GP/MC)101/102 AND dsPIC33FJ32(GP/MC)101/102/104

**TABLE 24-2: INSTRUCTION SET OVERVIEW (CONTINUED)**

| Base Instr # | Assembly Mnemonic | Assembly Syntax        | Description                           | # of Words | # of Cycles | Status Flags Affected |
|--------------|-------------------|------------------------|---------------------------------------|------------|-------------|-----------------------|
| 66           | RRNC              | RRNC f                 | f = Rotate Right (No Carry) f         | 1          | 1           | N,Z                   |
|              |                   | RRNC f, WREG           | WREG = Rotate Right (No Carry) f      | 1          | 1           | N,Z                   |
|              |                   | RRNC Ws, Wd            | Wd = Rotate Right (No Carry) Ws       | 1          | 1           | N,Z                   |
| 67           | SAC               | SAC Acc, #Slit4, Wdo   | Store Accumulator                     | 1          | 1           | None                  |
|              |                   | SAC.R Acc, #Slit4, Wdo | Store Rounded Accumulator             | 1          | 1           | None                  |
| 68           | SE                | SE Ws, Wnd             | Wnd = sign-extended Ws                | 1          | 1           | C,N,Z                 |
| 69           | SETM              | SETM f                 | f = 0xFFFF                            | 1          | 1           | None                  |
|              |                   | SETM WREG              | WREG = 0xFFFF                         | 1          | 1           | None                  |
|              |                   | SETM Ws                | Ws = 0xFFFF                           | 1          | 1           | None                  |
| 70           | SFTAC             | SFTAC Acc, Wn          | Arithmetic Shift Accumulator by (Wn)  | 1          | 1           | OA,OB,OAB,SA,SB,SAB   |
|              |                   | SFTAC Acc, #Slit6      | Arithmetic Shift Accumulator by Slit6 | 1          | 1           | OA,OB,OAB,SA,SB,SAB   |
| 71           | SL                | SL f                   | f = Left Shift f                      | 1          | 1           | C,N,OV,Z              |
|              |                   | SL f, WREG             | WREG = Left Shift f                   | 1          | 1           | C,N,OV,Z              |
|              |                   | SL Ws, Wd              | Wd = Left Shift Ws                    | 1          | 1           | C,N,OV,Z              |
|              |                   | SL Wb, Wns, Wnd        | Wnd = Left Shift Wb by Wns            | 1          | 1           | N,Z                   |
|              |                   | SL Wb, #lit5, Wnd      | Wnd = Left Shift Wb by lit5           | 1          | 1           | N,Z                   |
| 72           | SUB               | SUB Acc                | Subtract Accumulators                 | 1          | 1           | OA,OB,OAB,SA,SB,SAB   |
|              |                   | SUB f                  | f = f - WREG                          | 1          | 1           | C,DC,N,OV,Z           |
|              |                   | SUB f, WREG            | WREG = f - WREG                       | 1          | 1           | C,DC,N,OV,Z           |
|              |                   | SUB #lit10, Wn         | Wn = Wn - lit10                       | 1          | 1           | C,DC,N,OV,Z           |
|              |                   | SUB Wb, Ws, Wd         | Wd = Wb - Ws                          | 1          | 1           | C,DC,N,OV,Z           |
|              |                   | SUB Wb, #lit5, Wd      | Wd = Wb - lit5                        | 1          | 1           | C,DC,N,OV,Z           |
| 73           | SUBB              | SUBB f                 | f = f - WREG - ( $\bar{C}$ )          | 1          | 1           | C,DC,N,OV,Z           |
|              |                   | SUBB f, WREG           | WREG = f - WREG - ( $\bar{C}$ )       | 1          | 1           | C,DC,N,OV,Z           |
|              |                   | SUBB #lit10, Wn        | Wn = Wn - lit10 - ( $\bar{C}$ )       | 1          | 1           | C,DC,N,OV,Z           |
|              |                   | SUBB Wb, Ws, Wd        | Wd = Wb - Ws - ( $\bar{C}$ )          | 1          | 1           | C,DC,N,OV,Z           |
|              |                   | SUBB Wb, #lit5, Wd     | Wd = Wb - lit5 - ( $\bar{C}$ )        | 1          | 1           | C,DC,N,OV,Z           |
| 74           | SUBR              | SUBR f                 | f = WREG - f                          | 1          | 1           | C,DC,N,OV,Z           |
|              |                   | SUBR f, WREG           | WREG = WREG - f                       | 1          | 1           | C,DC,N,OV,Z           |
|              |                   | SUBR Wb, Ws, Wd        | Wd = Ws - Wb                          | 1          | 1           | C,DC,N,OV,Z           |
|              |                   | SUBR Wb, #lit5, Wd     | Wd = lit5 - Wb                        | 1          | 1           | C,DC,N,OV,Z           |
| 75           | SUBBR             | SUBBR f                | f = WREG - f - ( $\bar{C}$ )          | 1          | 1           | C,DC,N,OV,Z           |
|              |                   | SUBBR f, WREG          | WREG = WREG - f - ( $\bar{C}$ )       | 1          | 1           | C,DC,N,OV,Z           |
|              |                   | SUBBR Wb, Ws, Wd       | Wd = Ws - Wb - ( $\bar{C}$ )          | 1          | 1           | C,DC,N,OV,Z           |
|              |                   | SUBBR Wb, #lit5, Wd    | Wd = lit5 - Wb - ( $\bar{C}$ )        | 1          | 1           | C,DC,N,OV,Z           |
| 76           | SWAP              | SWAP.b Wn              | Wn = nibble swap Wn                   | 1          | 1           | None                  |
|              |                   | SWAP Wn                | Wn = byte swap Wn                     | 1          | 1           | None                  |
| 77           | TBLRDH            | TBLRDH Ws, Wd          | Read Prog<23:16> to Wd<7:0>           | 1          | 2           | None                  |
| 78           | TBLRDL            | TBLRDL Ws, Wd          | Read Prog<15:0> to Wd                 | 1          | 2           | None                  |
| 79           | TBLWTH            | TBLWTH Ws, Wd          | Write Ws<7:0> to Prog<23:16>          | 1          | 2           | None                  |
| 80           | TBLWTL            | TBLWTL Ws, Wd          | Write Ws to Prog<15:0>                | 1          | 2           | None                  |
| 81           | ULNK              | ULNK                   | Unlink Frame Pointer                  | 1          | 1           | None                  |
| 82           | XOR               | XOR f                  | f = f .XOR. WREG                      | 1          | 1           | N,Z                   |
|              |                   | XOR f, WREG            | WREG = f .XOR. WREG                   | 1          | 1           | N,Z                   |
|              |                   | XOR #lit10, Wn         | Wd = lit10 .XOR. Wd                   | 1          | 1           | N,Z                   |
|              |                   | XOR Wb, Ws, Wd         | Wd = Wb .XOR. Ws                      | 1          | 1           | N,Z                   |
|              |                   | XOR Wb, #lit5, Wd      | Wd = Wb .XOR. lit5                    | 1          | 1           | N,Z                   |
| 83           | ZE                | ZE Ws, Wnd             | Wnd = Zero-extend Ws                  | 1          | 1           | C,Z,N                 |

## 25.0 DEVELOPMENT SUPPORT

The PIC® microcontrollers and dsPIC® Digital Signal Controllers are supported with a full range of software and hardware development tools:

- Integrated Development Environment
  - MPLAB® IDE Software
- Compilers/Assemblers/Linkers
  - MPLAB C Compiler for Various Device Families
  - HI-TECH C® for Various Device Families
  - MPASM™ Assembler
  - MPLINK™ Object Linker/  
MPLIB™ Object Librarian
  - MPLAB Assembler/Linker/Librarian for Various Device Families
- Simulators
  - MPLAB SIM Software Simulator
- Emulators
  - MPLAB REAL ICE™ In-Circuit Emulator
- In-Circuit Debuggers
  - MPLAB ICD 3
  - PICKit™ 3 Debug Express
- Device Programmers
  - PICKit™ 2 Programmer
  - MPLAB PM3 Device Programmer
- Low-Cost Demonstration/Development Boards, Evaluation Kits, and Starter Kits

## 25.1 MPLAB Integrated Development Environment Software

The MPLAB IDE software brings an ease of software development previously unseen in the 8/16/32-bit microcontroller market. The MPLAB IDE is a Windows® operating system-based application that contains:

- A single graphical interface to all debugging tools
  - Simulator
  - Programmer (sold separately)
  - In-Circuit Emulator (sold separately)
  - In-Circuit Debugger (sold separately)
- A full-featured editor with color-coded context
- A multiple project manager
- Customizable data windows with direct edit of contents
- High-level source code debugging
- Mouse over variable inspection
- Drag and drop variables from source to watch windows
- Extensive on-line help
- Integration of select third party tools, such as IAR C Compilers

The MPLAB IDE allows you to:

- Edit your source files (either C or assembly)
- One-touch compile or assemble, and download to emulator and simulator tools (automatically updates all project information)
- Debug using:
  - Source files (C or assembly)
  - Mixed C and assembly
  - Machine code

MPLAB IDE supports multiple debugging tools in a single development paradigm, from the cost-effective simulators, through low-cost in-circuit debuggers, to full-featured emulators. This eliminates the learning curve when upgrading to tools with increased flexibility and power.

## 25.2 MPLAB C Compilers for Various Device Families

The MPLAB C Compiler code development systems are complete ANSI C compilers for Microchip's PIC18, PIC24 and PIC32 families of microcontrollers and the dsPIC30 and dsPIC33 families of Digital Signal Controllers. These compilers provide powerful integration capabilities, superior code optimization and ease of use.

For easy source level debugging, the compilers provide symbol information that is optimized to the MPLAB IDE debugger.

## 25.3 HI-TECH C for Various Device Families

The HI-TECH C Compiler code development systems are complete ANSI C compilers for Microchip's PIC family of microcontrollers and the dsPIC family of Digital Signal Controllers. These compilers provide powerful integration capabilities, omniscient code generation and ease of use.

For easy source level debugging, the compilers provide symbol information that is optimized to the MPLAB IDE debugger.

The compilers include a macro assembler, linker, pre-processor, and one-step driver, and can run on multiple platforms.

## 25.4 MPASM Assembler

The MPASM Assembler is a full-featured, universal macro assembler for PIC10/12/16/18 MCUs.

The MPASM Assembler generates relocatable object files for the MPLINK Object Linker, Intel® standard HEX files, MAP files to detail memory usage and symbol reference, absolute LST files that contain source lines and generated machine code and COFF files for debugging.

The MPASM Assembler features include:

- Integration into MPLAB IDE projects
- User-defined macros to streamline assembly code
- Conditional assembly for multi-purpose source files
- Directives that allow complete control over the assembly process

## 25.5 MPLINK Object Linker/ MPLIB Object Librarian

The MPLINK Object Linker combines relocatable objects created by the MPASM Assembler and the MPLAB C18 C Compiler. It can link relocatable objects from precompiled libraries, using directives from a linker script.

The MPLIB Object Librarian manages the creation and modification of library files of precompiled code. When a routine from a library is called from a source file, only the modules that contain that routine will be linked in with the application. This allows large libraries to be used efficiently in many different applications.

The object linker/library features include:

- Efficient linking of single libraries instead of many smaller files
- Enhanced code maintainability by grouping related modules together
- Flexible creation of libraries with easy module listing, replacement, deletion and extraction

## 25.6 MPLAB Assembler, Linker and Librarian for Various Device Families

MPLAB Assembler produces relocatable machine code from symbolic assembly language for PIC24, PIC32 and dsPIC devices. MPLAB C Compiler uses the assembler to produce its object file. The assembler generates relocatable object files that can then be archived or linked with other relocatable object files and archives to create an executable file. Notable features of the assembler include:

- Support for the entire device instruction set
- Support for fixed-point and floating-point data
- Command line interface
- Rich directive set
- Flexible macro language
- MPLAB IDE compatibility

## 25.7 MPLAB SIM Software Simulator

The MPLAB SIM Software Simulator allows code development in a PC-hosted environment by simulating the PIC MCUs and dsPIC® DSCs on an instruction level. On any given instruction, the data areas can be examined or modified and stimuli can be applied from a comprehensive stimulus controller. Registers can be logged to files for further run-time analysis. The trace buffer and logic analyzer display extend the power of the simulator to record and track program execution, actions on I/O, most peripherals and internal registers.

The MPLAB SIM Software Simulator fully supports symbolic debugging using the MPLAB C Compilers, and the MPASM and MPLAB Assemblers. The software simulator offers the flexibility to develop and debug code outside of the hardware laboratory environment, making it an excellent, economical software development tool.

## 25.8 MPLAB REAL ICE In-Circuit Emulator System

MPLAB REAL ICE In-Circuit Emulator System is Microchip's next generation high-speed emulator for Microchip Flash DSC and MCU devices. It debugs and programs PIC® Flash MCUs and dsPIC® Flash DSCs with the easy-to-use, powerful graphical user interface of the MPLAB Integrated Development Environment (IDE), included with each kit.

The emulator is connected to the design engineer's PC using a high-speed USB 2.0 interface and is connected to the target with either a connector compatible with in-circuit debugger systems (RJ11) or with the new high-speed, noise tolerant, Low-Voltage Differential Signal (LVDS) interconnection (CAT5).

The emulator is field upgradable through future firmware downloads in MPLAB IDE. In upcoming releases of MPLAB IDE, new devices will be supported, and new features will be added. MPLAB REAL ICE offers significant advantages over competitive emulators including low-cost, full-speed emulation, run-time variable watches, trace analysis, complex breakpoints, a ruggedized probe interface and long (up to three meters) interconnection cables.

## 25.9 MPLAB ICD 3 In-Circuit Debugger System

MPLAB ICD 3 In-Circuit Debugger System is Microchip's most cost effective high-speed hardware debugger/programmer for Microchip Flash Digital Signal Controller (DSC) and microcontroller (MCU) devices. It debugs and programs PIC® Flash microcontrollers and dsPIC® DSCs with the powerful, yet easy-to-use graphical user interface of MPLAB Integrated Development Environment (IDE).

The MPLAB ICD 3 In-Circuit Debugger probe is connected to the design engineer's PC using a high-speed USB 2.0 interface and is connected to the target with a connector compatible with the MPLAB REAL ICE systems (RJ-11).

## 25.10 PICkit 3 In-Circuit Debugger/ Programmer and PICkit 3 Debug Express

The MPLAB PICkit 3 allows debugging and programming of PIC® and dsPIC® Flash microcontrollers at a most affordable price point using the powerful graphical user interface of the MPLAB Integrated Development Environment (IDE). The MPLAB PICkit 3 is connected to the design engineer's PC using a full speed USB interface and can be connected to the target via a Microchip debug (RJ-11) connector (compatible with MPLAB ICD 3 and MPLAB REAL ICE). The connector uses two device I/O pins and the Reset line to implement in-circuit debugging and In-Circuit Serial Programming™.

The PICkit 3 Debug Express include the PICkit 3, demo board and microcontroller, hookup cables and CDROM with user's guide, lessons, tutorial, compiler and MPLAB IDE software.

## 25.11 PICKit 2 Development Programmer/Debugger and PICKit 2 Debug Express

The PICKit™ 2 Development Programmer/Debugger is a low-cost development tool with an easy to use interface for programming and debugging Microchip's Flash families of microcontrollers. The full featured Windows® programming interface supports baseline (PIC10F, PIC12F5xx, PIC16F5xx), midrange (PIC12F6xx, PIC16F), PIC18F, PIC24, dsPIC30, dsPIC33, and PIC32 families of 8-bit, 16-bit, and 32-bit microcontrollers, and many Microchip Serial EEPROM products. With Microchip's powerful MPLAB Integrated Development Environment (IDE) the PICKit™ 2 enables in-circuit debugging on most PIC® microcontrollers. In-Circuit-Debugging runs, halts and single steps the program while the PIC microcontroller is embedded in the application. When halted at a breakpoint, the file registers can be examined and modified.

The PICKit 2 Debug Express include the PICKit 2, demo board and microcontroller, hookup cables and CDROM with user's guide, lessons, tutorial, compiler and MPLAB IDE software.

## 25.12 MPLAB PM3 Device Programmer

The MPLAB PM3 Device Programmer is a universal, CE compliant device programmer with programmable voltage verification at VDDMIN and VDDMAX for maximum reliability. It features a large LCD display (128 x 64) for menus and error messages and a modular, detachable socket assembly to support various package types. The ICSP™ cable assembly is included as a standard item. In Stand-Alone mode, the MPLAB PM3 Device Programmer can read, verify and program PIC devices without a PC connection. It can also set code protection in this mode. The MPLAB PM3 connects to the host PC via an RS-232 or USB cable. The MPLAB PM3 has high-speed communications and optimized algorithms for quick programming of large memory devices and incorporates an MMC card for file storage and data applications.

## 25.13 Demonstration/Development Boards, Evaluation Kits, and Starter Kits

A wide variety of demonstration, development and evaluation boards for various PIC MCUs and dsPIC DSCs allows quick application development on fully functional systems. Most boards include prototyping areas for adding custom circuitry and provide application firmware and source code for examination and modification.

The boards support a variety of features, including LEDs, temperature sensors, switches, speakers, RS-232 interfaces, LCD displays, potentiometers and additional EEPROM memory.

The demonstration and development boards can be used in teaching environments, for prototyping custom circuits and for learning about various microcontroller applications.

In addition to the PICDEM™ and dsPICDEM™ demonstration/development board series of circuits, Microchip has a line of evaluation kits and demonstration software for analog filter design, KEELOQ® security ICs, CAN, IrDA®, PowerSmart battery management, SEEVAL® evaluation system, Sigma-Delta ADC, flow rate sensing, plus many more.

Also available are starter kits that contain everything needed to experience the specified device. This usually includes a single application and debug capability, all on one board.

Check the Microchip web page ([www.microchip.com](http://www.microchip.com)) for the complete list of demonstration, development and evaluation kits.

## 26.0 ELECTRICAL CHARACTERISTICS

This section provides an overview of the dsPIC33FJ16(GP/MC)101/102 and dsPIC33FJ32(GP/MC)101/102/104 electrical characteristics. Additional information will be provided in future revisions of this document as it becomes available.

Absolute maximum ratings for the dsPIC33FJ16(GP/MC)101/102 and dsPIC33FJ32(GP/MC)101/102/104 family are listed below. Exposure to these maximum rating conditions for extended periods may affect device reliability. Functional operation of the device at these, or any other conditions above the parameters indicated in the operation listings of this specification, is not implied.

### Absolute Maximum Ratings<sup>(1)</sup>

|   |                       |
|---|-----------------------|
| Ambient temperature under bias .....  | -40°C to +125°C       |
| Storage temperature .....   | -65°C to +150°C       |
| Voltage on VDD with respect to VSS .....  | -0.3V to +4.0V        |
| Voltage on any pin that is not 5V tolerant with respect to VSS <sup>(3)</sup> .....     | -0.3V to (VDD + 0.3V) |
| Voltage on any 5V tolerant pin with respect to VSS when VDD ≥ 3.0V <sup>(3)</sup> ..... | -0.3V to +5.6V        |
| Voltage on any 5V tolerant pin with respect to VSS when VDD < 3.0V <sup>(3)</sup> ..... | -0.3V to (VDD + 0.3V) |
| Maximum current out of VSS pin .....  | 300 mA                |
| Maximum current into VDD pin <sup>(2)</sup> .....                                       | 250 mA                |
| Maximum output current sourced and sunk by any I/O pin excluding OSCO .....             | 15 mA                 |
| Maximum output current sourced and sunk by OSCO.....                                    | 25 mA                 |
| Maximum current sunk by all ports .....   | 200 mA                |
| Maximum current sourced by all ports <sup>(2)</sup> .....                               | 200 mA                |

**Note 1:** Stresses above those listed under “Absolute Maximum Ratings” may cause permanent damage to the device. This is a stress rating only, and functional operation of the device at those or any other conditions above those indicated in the operation listings of this specification is not implied. Exposure to maximum rating conditions for extended periods may affect device reliability.

**2:** Maximum allowable current is a function of the device maximum power dissipation (see [Table 26-2](#)).

**3:** See the [“Pin Diagrams”](#) section for 5V tolerant pins.

# dsPIC33FJ16(GP/MC)101/102 AND dsPIC33FJ32(GP/MC)101/102/104

## 26.1 DC Characteristics

**TABLE 26-1: OPERATING MIPS vs. VOLTAGE**

| Characteristic | VDD Range<br>(in Volts)               | Temp Range<br>(in °C) | Max MIPS   |
|----------------|---------------------------------------|-----------------------|--|
|                |                                       |                       | dsPIC33FJ16(GP/MC)101/102 and<br>dsPIC33FJ32(GP/MC)101/102/104 |
| DC5            | V <sub>BOR</sub> -3.6V <sup>(1)</sup> | -40°C to +85°C        | 16   |
|                | V <sub>BOR</sub> -3.6V <sup>(1)</sup> | -40°C to +125°C       | 16   |

**Note 1:** Overall functional device operation at V<sub>BOR</sub> < V<sub>DD</sub> < V<sub>DDMIN</sub> is ensured but not characterized. All device analog modules, such as the ADC, etc., will function but with degraded performance below V<sub>DDMIN</sub>.

**TABLE 26-2: THERMAL OPERATING CONDITIONS**

| Rating  | Symbol            | Min  | Typ | Max  | Unit |
|---|-------------------|--|-----|------|------|
| Industrial Temperature Devices  |                   |  |     |      |      |
| Operating Junction Temperature Range  | T <sub>J</sub>    | -40  | —   | +125 | °C   |
| Operating Ambient Temperature Range   | T <sub>A</sub>    | -40  | —   | +85  | °C   |
| Extended Temperature Devices  |                   |  |     |      |      |
| Operating Junction Temperature Range  | T <sub>J</sub>    | -40  | —   | +140 | °C   |
| Operating Ambient Temperature Range   | T <sub>A</sub>    | -40  | —   | +125 | °C   |
| Power Dissipation:<br>Internal Chip Power Dissipation:<br>P <sub>INT</sub> = V <sub>DD</sub> × (I <sub>DD</sub> – Σ I <sub>OH</sub> )<br>I/O Pin Power Dissipation:<br>I/O = Σ ({V <sub>DD</sub> – V <sub>OH</sub> } × I <sub>OH</sub> ) + Σ (V <sub>OL</sub> × I <sub>OL</sub> ) | P <sub>D</sub>    | P <sub>INT</sub> + P <sub>IO</sub>                 |     |      | W    |
| Maximum Allowed Power Dissipation   | P <sub>DMAX</sub> | (T <sub>J</sub> – T <sub>A</sub> )/θ <sub>JA</sub> |     |      | W    |

**TABLE 26-3: THERMAL PACKAGING CHARACTERISTICS**

| Characteristic                                   | Symbol          | Typ  | Max | Unit | Notes |
|--|-----------------|------|-----|------|-------|
| Package Thermal Resistance, 18-pin PDIP          | θ <sub>JA</sub> | 50   | —   | °C/W | 1     |
| Package Thermal Resistance, 20-pin PDIP          | θ <sub>JA</sub> | 50   | —   | °C/W | 1     |
| Package Thermal Resistance, 28-pin SPDIP         | θ <sub>JA</sub> | 50   | —   | °C/W | 1     |
| Package Thermal Resistance, 18-pin SOIC          | θ <sub>JA</sub> | 63   | —   | °C/W | 1     |
| Package Thermal Resistance, 20-pin SOIC          | θ <sub>JA</sub> | 63   | —   | °C/W | 1     |
| Package Thermal Resistance, 28-pin SOIC          | θ <sub>JA</sub> | 55   | —   | °C/W | 1     |
| Package Thermal Resistance, 20-pin SSOP          | θ <sub>JA</sub> | 90   | —   | °C/W | 1     |
| Package Thermal Resistance, 28-pin SSOP          | θ <sub>JA</sub> | 71   | —   | °C/W | 1     |
| Package Thermal Resistance, 28-pin QFN (6x6 mm)  | θ <sub>JA</sub> | 37   | —   | °C/W | 1     |
| Package Thermal Resistance, 36-pin VTLA (5x5 mm) | θ <sub>JA</sub> | 31.1 | —   | °C/W | 1     |
| Package Thermal Resistance, 44-pin TQFP          | θ <sub>JA</sub> | 45   | —   | °C/W | 1, 2  |
| Package Thermal Resistance, 44-pin QFN           | θ <sub>JA</sub> | 32   | —   | °C/W | 1, 2  |
| Package Thermal Resistance, 44-pin VTLA          | θ <sub>JA</sub> | 30   | —   | °C/W | 1, 2  |

**Note 1:** Junction to ambient thermal resistance; Theta-JA (θ<sub>JA</sub>) numbers are achieved by package simulations.

**2:** This package is available in dsPIC33FJ32(GP/MC)104 devices only.



# dsPIC33FJ16(GP/MC)101/102 AND dsPIC33FJ32(GP/MC)101/102/104

**TABLE 26-4: DC TEMPERATURE AND VOLTAGE SPECIFICATIONS**

| DC CHARACTERISTICS       |                                     |   | Standard Operating Conditions: 3.0V to 3.6V<br>(unless otherwise stated)<br>Operating temperature $-40^{\circ}\text{C} \leq T_A \leq +85^{\circ}\text{C}$ for Industrial<br>$-40^{\circ}\text{C} \leq T_A \leq +125^{\circ}\text{C}$ for Extended |                    |     |       |                         |
|--------------------------|-------------------------------------|---|---|--------------------|-----|-------|-------------------------|
| Param No.                | Symbol                              | Characteristic  | Min   | Typ <sup>(1)</sup> | Max | Units | Conditions              |
| <b>Operating Voltage</b> |                                     |   |   |                    |     |       |                         |
| DC10                     | <b>Supply Voltage<sup>(3)</sup></b> |   |   |                    |     |       |                         |
|                          | VDD                                 | —   | VBOR  | —                  | 3.6 | V     | Industrial and Extended |
| DC12                     | VDR                                 | <b>RAM Data Retention Voltage<sup>(2)</sup></b>                         | 1.8   | —                  | —   | V     |                         |
| DC16                     | VPOR                                | <b>VDD Start Voltage</b><br>to Ensure Internal<br>Power-on Reset Signal | —   | 1.75               | VSS | V     |                         |
| DC17                     | SVDD                                | <b>VDD Rise Rate</b><br>to Ensure Internal<br>Power-on Reset Signal     | 0.024   | —                  | —   | V/ms  | 0-2.4V in 0.1s          |

**Note 1:** Data in “Typ” column is at 3.3V, +25°C unless otherwise stated.

**2:** This is the limit to which VDD may be lowered without losing RAM data.

**3:** Overall functional device operation at  $V_{BOR} < V_{DD} < V_{DDMIN}$  is ensured but not characterized. All device analog modules, such as the ADC, etc., will function but with degraded performance below  $V_{DDMIN}$ .

**TABLE 26-5: ELECTRICAL CHARACTERISTICS: BROWN-OUT RESET (BOR)**

| DC CHARACTERISTICS |        |  | Standard Operating Conditions: 3.0V to 3.6V<br>(unless otherwise stated)<br>Operating temperature $-40^{\circ}\text{C} \leq T_A \leq +85^{\circ}\text{C}$ for Industrial<br>$-40^{\circ}\text{C} \leq T_A \leq +125^{\circ}\text{C}$ for Extended |      |      |       |                   |
|--------------------|--------|--|---|------|------|-------|-------------------|
| Param No.          | Symbol | Characteristic                             | Min <sup>(1)</sup>  | Typ  | Max  | Units | Conditions        |
| BO10               | VBOR   | BOR Event on VDD Transition<br>High-to-Low | 2.40  | 2.48 | 2.55 | V     | See <b>Note 2</b> |

**Note 1:** Parameters are for design guidance only and are not tested in manufacturing.

**2:** Overall functional device operation at  $V_{BOR} < V_{DD} < V_{DDMIN}$  is ensured but not characterized. All device analog modules, such as the ADC, etc., will function but with degraded performance below  $V_{DDMIN}$ .

# dsPIC33FJ16(GP/MC)101/102 AND dsPIC33FJ32(GP/MC)101/102/104

**TABLE 26-6: DC CHARACTERISTICS: OPERATING CURRENT (IDD)**

| DC CHARACTERISTICS   |                        |     | Standard Operating Conditions: 3.0V to 3.6V<br>(unless otherwise stated)<br>Operating temperature -40°C ≤ TA ≤ +85°C for Industrial<br>-40°C ≤ TA ≤ +125°C for Extended |            |                                     |
|--|------------------------|-----|---|------------|-------------------------------------|
| Parameter No.  | Typical <sup>(1)</sup> | Max | Units   | Conditions |                                     |
| <b>Operating Current (IDD)<sup>(2)</sup> – dsPIC33FJ16(GP/MC)10X Devices</b> |                        |     |   |            |                                     |
| DC20d  | 0.7                    | 1.7 | mA  | 3.3V       | LPRC<br>(32.768 kHz) <sup>(3)</sup> |
| DC20a  | 0.7                    | 1.7 | mA  |            |                                     |
| DC20b  | 1.0                    | 1.7 | mA  |            |                                     |
| DC20c  | 1.3                    | 1.7 | mA  |            |                                     |
| DC21d  | 1.9                    | 2.6 | mA  | 3.3V       | 1 MIPS <sup>(3)</sup>               |
| DC21a  | 1.9                    | 2.6 | mA  |            |                                     |
| DC21b  | 1.9                    | 2.6 | mA  |            |                                     |
| DC21c  | 2.0                    | 2.6 | mA  |            |                                     |
| DC22d  | 6.5                    | 8.5 | mA  | 3.3V       | 4 MIPS <sup>(3)</sup>               |
| DC22a  | 6.5                    | 8.5 | mA  |            |                                     |
| DC22b  | 6.5                    | 8.5 | mA  |            |                                     |
| DC22c  | 6.5                    | 8.5 | mA  |            |                                     |
| DC23d  | 12.2                   | 16  | mA  | 3.3V       | 10 MIPS <sup>(3)</sup>              |
| DC23a  | 12.2                   | 16  | mA  |            |                                     |
| DC23b  | 12.2                   | 16  | mA  |            |                                     |
| DC23c  | 12.2                   | 16  | mA  |            |                                     |
| DC24d  | 16                     | 21  | mA  | 3.3V       | 16 MIPS                             |
| DC24a  | 16                     | 21  | mA  |            |                                     |
| DC24b  | 16                     | 21  | mA  |            |                                     |
| DC24c  | 16                     | 21  | mA  |            |                                     |

**Note 1:** Data in “Typical” column is at 3.3V, +25°C unless otherwise stated.

**2:** IDD is primarily a function of the operating voltage and frequency. Other factors, such as I/O pin loading and switching rate, oscillator type, internal code execution pattern and temperature, also have an impact on the current consumption. The test conditions for all IDD measurements are as follows:

- Oscillator is configured in EC mode, OSC1 is driven with external square wave from rail-to-rail
- CLKO is configured as an I/O input pin in the Configuration Word
- All I/O pins are configured as inputs and pulled to Vss
- MCLR = VDD, WDT and FSCM are disabled
- CPU, SRAM, program memory and data memory are operational
- No peripheral modules are operating; however, every peripheral is being clocked (PMDx bits are all zeroed)
- CPU executing `while(1)` statement

**3:** These parameters are characterized, but not tested in manufacturing.

# dsPIC33FJ16(GP/MC)101/102 AND dsPIC33FJ32(GP/MC)101/102/104

**TABLE 26-6: DC CHARACTERISTICS: OPERATING CURRENT (IDD) (CONTINUED)**

| DC CHARACTERISTICS   |                        |     | Standard Operating Conditions: 3.0V to 3.6V<br>(unless otherwise stated)<br>Operating temperature -40°C ≤ TA ≤ +85°C for Industrial<br>-40°C ≤ TA ≤ +125°C for Extended |            |                                     |
|--|------------------------|-----|---|------------|-------------------------------------|
| Parameter No.  | Typical <sup>(1)</sup> | Max | Units   | Conditions |                                     |
| <b>Operating Current (IDD)<sup>(2)</sup> – dsPIC33FJ32(GP/MC)10X Devices</b> |                        |     |   |            |                                     |
| DC20d  | 1                      | 2   | mA  | 3.3V       | LPRC<br>(32.768 kHz) <sup>(3)</sup> |
| DC20a  | 1                      | 2   | mA  |            |                                     |
| DC20b  | 1.1                    | 2   | mA  |            |                                     |
| DC20c  | 1.3                    | 2   | mA  |            |                                     |
| DC21d  | 1.7                    | 3   | mA  | 3.3V       | 1 MIPS <sup>(3)</sup>               |
| DC21a  | 2.3                    | 3   | mA  |            |                                     |
| DC21b  | 2.3                    | 3   | mA  |            |                                     |
| DC21c  | 2.4                    | 3   | mA  |            |                                     |
| DC22d  | 7                      | 8.5 | mA  | 3.3V       | 4 MIPS <sup>(3)</sup>               |
| DC22a  | 7                      | 8.5 | mA  |            |                                     |
| DC22b  | 7                      | 8.5 | mA  |            |                                     |
| DC22c  | 7                      | 8.5 | mA  |            |                                     |
| DC23d  | 13.2                   | 17  | mA  | 3.3V       | 10 MIPS <sup>(3)</sup>              |
| DC23a  | 13.2                   | 17  | mA  |            |                                     |
| DC23b  | 13.2                   | 17  | mA  |            |                                     |
| DC23c  | 13.2                   | 17  | mA  |            |                                     |
| DC24d  | 17                     | 22  | mA  | 3.3V       | 16 MIPS                             |
| DC24a  | 17                     | 22  | mA  |            |                                     |
| DC24b  | 17                     | 22  | mA  |            |                                     |
| DC24c  | 17                     | 22  | mA  |            |                                     |

**Note 1:** Data in “Typical” column is at 3.3V, +25°C unless otherwise stated.

**2:** IDD is primarily a function of the operating voltage and frequency. Other factors, such as I/O pin loading and switching rate, oscillator type, internal code execution pattern and temperature, also have an impact on the current consumption. The test conditions for all IDD measurements are as follows:

- Oscillator is configured in EC mode, OSC1 is driven with external square wave from rail-to-rail
- CLKO is configured as an I/O input pin in the Configuration Word
- All I/O pins are configured as inputs and pulled to VSS
- MCLR = VDD, WDT and FSCM are disabled
- CPU, SRAM, program memory and data memory are operational
- No peripheral modules are operating; however, every peripheral is being clocked (PMDx bits are all zeroed)
- CPU executing `while(1)` statement

**3:** These parameters are characterized, but not tested in manufacturing.

# dsPIC33FJ16(GP/MC)101/102 AND dsPIC33FJ32(GP/MC)101/102/104

**TABLE 26-7: DC CHARACTERISTICS: IDLE CURRENT (IDLE)**

| DC CHARACTERISTICS  |                        |     | Standard Operating Conditions: 3.0V to 3.6V<br>(unless otherwise stated)<br>Operating temperature $-40^{\circ}\text{C} \leq T_A \leq +85^{\circ}\text{C}$ for Industrial<br>$-40^{\circ}\text{C} \leq T_A \leq +125^{\circ}\text{C}$ for Extended |            |      |                                     |
|---|------------------------|-----|---|------------|------|-------------------------------------|
| Parameter No.   | Typical <sup>(1)</sup> | Max | Units   | Conditions |      |                                     |
| <b>Idle Current (IDLE): Core OFF, Clock ON Base Current<sup>(2)</sup> – dsPIC33FJ16(GP/MC)10X Devices</b> |                        |     |   |            |      |                                     |
| DC40d   | 0.4                    | 1.0 | mA  | -40°C      | 3.3V | LPRC<br>(32.768 kHz) <sup>(3)</sup> |
| DC40a   | 0.4                    | 1.0 | mA  | +25°C      |      |                                     |
| DC40b   | 0.4                    | 1.0 | mA  | +85°C      |      |                                     |
| DC40c   | 0.5                    | 1.0 | mA  | +125°C     |      |                                     |
| DC41d   | 0.5                    | 1.1 | mA  | -40°C      | 3.3V | 1 MIPS <sup>(3)</sup>               |
| DC41a   | 0.5                    | 1.1 | mA  | +25°C      |      |                                     |
| DC41b   | 0.5                    | 1.1 | mA  | +85°C      |      |                                     |
| DC41c   | 0.8                    | 1.1 | mA  | +125°C     |      |                                     |
| DC42d   | 0.9                    | 1.6 | mA  | -40°C      | 3.3V | 4 MIPS <sup>(3)</sup>               |
| DC42a   | 0.9                    | 1.6 | mA  | +25°C      |      |                                     |
| DC42b   | 1.0                    | 1.6 | mA  | +85°C      |      |                                     |
| DC42c   | 1.2                    | 1.6 | mA  | +125°C     |      |                                     |
| DC43a   | 1.6                    | 2.6 | mA  | +25°C      | 3.3V | 10 MIPS <sup>(3)</sup>              |
| DC43d   | 1.6                    | 2.6 | mA  | -40°C      |      |                                     |
| DC43b   | 1.7                    | 2.6 | mA  | +85°C      |      |                                     |
| DC43c   | 2                      | 2.6 | mA  | +125°C     |      |                                     |
| DC44d   | 2.4                    | 3.8 | mA  | -40°C      | 3.3V | 16 MIPS <sup>(3)</sup>              |
| DC44a   | 2.4                    | 3.8 | mA  | +25°C      |      |                                     |
| DC44b   | 2.6                    | 3.8 | mA  | +85°C      |      |                                     |
| DC44c   | 2.9                    | 3.8 | mA  | +125°C     |      |                                     |

**Note 1:** Data in “Typical” column is at 3.3V, +25°C unless otherwise stated.

**2:** Base Idle current is measured as follows:

- CPU core is off, oscillator is configured in EC mode, OSC1 is driven with external square wave from rail-to-rail
- CLKO is configured as an I/O input pin in the Configuration Word
- External Secondary Oscillator (SOSC) is disabled (i.e., SOSCO and SOSCI pins are configured as digital I/O inputs)
- All I/O pins are configured as inputs and pulled to V<sub>SS</sub>
- MCLR = V<sub>DD</sub>, WDT and FSCM are disabled
- No peripheral modules are operating; however, every peripheral is being clocked (PMDx bits are all zeroed)

**3:** These parameters are characterized, but not tested in manufacturing.

**TABLE 26-7: DC CHARACTERISTICS: IDLE CURRENT (IDLE) (CONTINUED)**

| DC CHARACTERISTICS  |                        |     | Standard Operating Conditions: 3.0V to 3.6V<br>(unless otherwise stated)<br>Operating temperature -40°C ≤ T <sub>A</sub> ≤ +85°C for Industrial<br>-40°C ≤ T <sub>A</sub> ≤ +125°C for Extended |            |   |
|---|------------------------|-----|---|------------|---|
| Parameter No.   | Typical <sup>(1)</sup> | Max | Units   | Conditions |   |
| <b>Idle Current (IDLE): Core OFF, Clock ON Base Current<sup>(2)</sup> – dsPIC33FJ32(GP/MC)10X Devices</b> |                        |     |   |            |   |
| DC40d   | 0.4                    | 1.0 | mA  | -40°C      | 3.3V<br><br>LPRC<br>(32.768 kHz) <sup>(3)</sup> |
| DC40a   | 0.4                    | 1.0 | mA  | +25°C      |   |
| DC40b   | 0.4                    | 1.0 | mA  | +85°C      |   |
| DC40c   | 0.5                    | 1.0 | mA  | +125°C     |   |
| DC41d   | 0.5                    | 1.1 | mA  | -40°C      | 3.3V<br><br>1 MIPS <sup>(3)</sup>               |
| DC41a   | 0.5                    | 1.1 | mA  | +25°C      |   |
| DC41b   | 0.5                    | 1.1 | mA  | +85°C      |   |
| DC41c   | 0.8                    | 1.1 | mA  | +125°C     |   |
| DC42d   | 0.9                    | 1.6 | mA  | -40°C      | 3.3V<br><br>4 MIPS <sup>(3)</sup>               |
| DC42a   | 0.9                    | 1.6 | mA  | +25°C      |   |
| DC42b   | 1.0                    | 1.6 | mA  | +85°C      |   |
| DC42c   | 1.2                    | 1.6 | mA  | +125°C     |   |
| DC43a   | 1.6                    | 2.6 | mA  | +25°C      | 3.3V<br><br>10 MIPS <sup>(3)</sup>              |
| DC43d   | 1.6                    | 2.6 | mA  | -40°C      |   |
| DC43b   | 1.7                    | 2.6 | mA  | +85°C      |   |
| DC43c   | 2.0                    | 2.6 | mA  | +125°C     |   |
| DC44d   | 2.4                    | 3.8 | mA  | -40°C      | 3.3V<br><br>16 MIPS <sup>(3)</sup>              |
| DC44a   | 2.4                    | 3.8 | mA  | +25°C      |   |
| DC44b   | 2.6                    | 3.8 | mA  | +85°C      |   |
| DC44c   | 2.9                    | 3.8 | mA  | +125°C     |   |

**Note 1:** Data in “Typical” column is at 3.3V, +25°C unless otherwise stated.

**2:** Base Idle current is measured as follows:

- CPU core is off, oscillator is configured in EC mode, OSC1 is driven with external square wave from rail-to-rail
- CLKO is configured as an I/O input pin in the Configuration Word
- External Secondary Oscillator (SOSC) is disabled (i.e., SOSCO and SOSCI pins are configured as digital I/O inputs)
- All I/O pins are configured as inputs and pulled to V<sub>SS</sub>
- $\overline{\text{MCLR}} = \text{V}_{\text{DD}}$ , WDT and FSCM are disabled
- No peripheral modules are operating; however, every peripheral is being clocked (PMDx bits are all zeroed)

**3:** These parameters are characterized, but not tested in manufacturing.

# dsPIC33FJ16(GP/MC)101/102 AND dsPIC33FJ32(GP/MC)101/102/104

**TABLE 26-8: DC CHARACTERISTICS: POWER-DOWN CURRENT (IPD)**

| DC CHARACTERISTICS  |                        |     | Standard Operating Conditions: 3.0V to 3.6V<br>(unless otherwise stated)<br>Operating temperature $-40^{\circ}\text{C} \leq T_A \leq +85^{\circ}\text{C}$ for Industrial<br>$-40^{\circ}\text{C} \leq T_A \leq +125^{\circ}\text{C}$ for Extended |            |  |
|---|------------------------|-----|---|------------|--|
| Parameter No.   | Typical <sup>(1)</sup> | Max | Units   | Conditions |  |
| <b>Power-Down Current (IPD)<sup>(2)</sup> – dsPIC33FJ16(GP/MC)10X Devices</b> |                        |     |   |            |  |
| DC60d   | 27                     | 250 | $\mu\text{A}$   | 3.3V       | Base Power-Down Current <sup>(3,4)</sup>                         |
| DC60a   | 32                     | 250 | $\mu\text{A}$   |            |  |
| DC60b   | 43                     | 250 | $\mu\text{A}$   |            |  |
| DC60c   | 150                    | 500 | $\mu\text{A}$   |            |  |
| DC61d   | 420                    | 600 | $\mu\text{A}$   | 3.3V       | Watchdog Timer Current: $\Delta I_{\text{WDT}}$ <sup>(3,5)</sup> |
| DC61a   | 420                    | 600 | $\mu\text{A}$   |            |  |
| DC61b   | 530                    | 750 | $\mu\text{A}$   |            |  |
| DC61c   | 620                    | 900 | $\mu\text{A}$   |            |  |
| <b>Power-Down Current (IPD)<sup>(2)</sup> – dsPIC33FJ32(GP/MC)10X Devices</b> |                        |     |   |            |  |
| DC60d   | 27                     | 250 | $\mu\text{A}$   | 3.3V       | Base Power-Down Current <sup>(3,4)</sup>                         |
| DC60a   | 32                     | 250 | $\mu\text{A}$   |            |  |
| DC60b   | 43                     | 250 | $\mu\text{A}$   |            |  |
| DC60c   | 150                    | 500 | $\mu\text{A}$   |            |  |
| DC61d   | 420                    | 600 | $\mu\text{A}$   | 3.3V       | Watchdog Timer Current: $\Delta I_{\text{WDT}}$ <sup>(3,5)</sup> |
| DC61a   | 420                    | 600 | $\mu\text{A}$   |            |  |
| DC61b   | 530                    | 750 | $\mu\text{A}$   |            |  |
| DC61c   | 620                    | 900 | $\mu\text{A}$   |            |  |

**Note 1:** Data in the Typical column is at 3.3V, +25°C unless otherwise stated.

**2:** IPD (Sleep) current is measured as follows:

- CPU core is off, oscillator is configured in EC mode, OSC1 is driven with external square wave from rail-to-rail
- CLKO is configured as an I/O input pin in the Configuration Word
- External Secondary Oscillator (SOSC) is disabled (i.e., SOSCO and SOSCI pins are configured as digital I/O inputs)
- All I/O pins are configured as inputs and pulled to VSS
- $\overline{\text{MCLR}} = V_{\text{DD}}$ , WDT and FSCM are disabled
- All peripheral modules are disabled (PMDx bits are all ones)
- VREGS bit (RCON<8>) = 1 (i.e., core regulator is set to stand-by while the device is in Sleep mode)
- On applicable devices, RTCC is disabled, plus the VREGS bit (RCON<8>) = 1

**3:** The  $\Delta$  current is the additional current consumed when the module is enabled. This current should be added to the base IPD current.

**4:** These currents are measured on the device containing the most memory in this family.

**5:** These parameters are characterized, but not tested in manufacturing.

# dsPIC33FJ16(GP/MC)101/102 AND dsPIC33FJ32(GP/MC)101/102/104

**TABLE 26-9: DC CHARACTERISTICS: DOZE CURRENT (IDOZE)**

| DC CHARACTERISTICS  |                        |      | Standard Operating Conditions: 3.0V to 3.6V<br>(unless otherwise stated)<br>Operating temperature $-40^{\circ}\text{C} \leq T_A \leq +85^{\circ}\text{C}$ for Industrial<br>$-40^{\circ}\text{C} \leq T_A \leq +125^{\circ}\text{C}$ for Extended |       |            |      |         |
|---|------------------------|------|---|-------|------------|------|---------|
| Parameter No.   | Typical <sup>(1)</sup> | Max  | Doze Ratio <sup>(2)</sup>   | Units | Conditions |      |         |
| <b>Doze Current (IDOZE)<sup>(2)</sup> – dsPIC33FJ16(GP/MC)10X Devices</b> |                        |      |   |       |            |      |         |
| DC73a   | 13.2                   | 17.2 | 1:2   | mA    | -40°C      | 3.3V | 16 MIPS |
| DC73f   | 4.7                    | 6.2  | 1:64  | mA    |            |      |         |
| DC73g   | 4.7                    | 6.2  | 1:128   | mA    |            |      |         |
| DC70a   | 13.2                   | 17.2 | 1:2   | mA    | +25°C      | 3.3V | 16 MIPS |
| DC70f   | 4.7                    | 6.2  | 1:64  | mA    |            |      |         |
| DC70g   | 4.7                    | 6.2  | 1:128   | mA    |            |      |         |
| DC71a   | 13.2                   | 17.2 | 1:2   | mA    | +85°C      | 3.3V | 16 MIPS |
| DC71f   | 4.7                    | 6.2  | 1:64  | mA    |            |      |         |
| DC71g   | 4.7                    | 6.2  | 1:128   | mA    |            |      |         |
| DC72a   | 13.2                   | 17.2 | 1:2   | mA    | +125°C     | 3.3V | 16 MIPS |
| DC72f   | 4.7                    | 6.2  | 1:64  | mA    |            |      |         |
| DC72g   | 4.7                    | 6.2  | 1:128   | mA    |            |      |         |
| <b>Doze Current (IDOZE)<sup>(2)</sup> – dsPIC33FJ32(GP/MC)10X Devices</b> |                        |      |   |       |            |      |         |
| DC73a   | 13.2                   | 17.2 | 1:2   | mA    | -40°C      | 3.3V | 16 MIPS |
| DC73f   | 4.7                    | 6.2  | 1:64  | mA    |            |      |         |
| DC73g   | 4.7                    | 6.2  | 1:128   | mA    |            |      |         |
| DC70a   | 13.2                   | 17.2 | 1:2   | mA    | +25°C      | 3.3V | 16 MIPS |
| DC70f   | 4.7                    | 6.2  | 1:64  | mA    |            |      |         |
| DC70g   | 4.7                    | 6.2  | 1:128   | mA    |            |      |         |
| DC71a   | 13.2                   | 17.2 | 1:2   | mA    | +85°C      | 3.3V | 16 MIPS |
| DC71f   | 4.7                    | 6.2  | 1:64  | mA    |            |      |         |
| DC71g   | 4.7                    | 6.2  | 1:128   | mA    |            |      |         |
| DC72a   | 13.2                   | 17.2 | 1:2   | mA    | +125°C     | 3.3V | 16 MIPS |
| DC72f   | 4.7                    | 6.2  | 1:64  | mA    |            |      |         |
| DC72g   | 4.7                    | 6.2  | 1:128   | mA    |            |      |         |

**Note 1:** Data in the Typical column is at 3.3V, +25°C unless otherwise stated.

**2:** IDOZE is primarily a function of the operating voltage and frequency. Other factors, such as I/O pin loading and switching rate, oscillator type, internal code execution pattern and temperature, also have an impact on the current consumption. The test conditions for all IDOZE measurements are as follows:

- Oscillator is configured in EC mode, OSC1 is driven with external square wave from rail-to-rail
- CLKO is configured as an I/O input pin in the Configuration Word
- All I/O pins are configured as inputs and pulled to VSS
- MCLR = VDD, WDT and FSCM are disabled
- CPU, SRAM, program memory and data memory are operational
- No peripheral modules are operating; however, every peripheral is being clocked (PMDx bits are all zeroes)
- CPU executing `while(1)` statement

# dsPIC33FJ16(GP/MC)101/102 AND dsPIC33FJ32(GP/MC)101/102/104

**TABLE 26-10: DC CHARACTERISTICS: I/O PIN INPUT SPECIFICATIONS**

| DC CHARACTERISTICS                                      |                 |  | Standard Operating Conditions: 3.0V to 3.6V<br>(unless otherwise stated)<br>Operating temperature $-40^{\circ}\text{C} \leq T_A \leq +85^{\circ}\text{C}$ for Industrial<br>$-40^{\circ}\text{C} \leq T_A \leq +125^{\circ}\text{C}$ for Extended |                    |   |       |   |
|---|-----------------|--|---|--------------------|---|-------|---|
| Param No.   | Symbol          | Characteristic                               | Min   | Typ <sup>(1)</sup> | Max   | Units | Conditions  |
| DI10<br>DI15<br>DI18<br>DI19                            | V <sub>IL</sub> | <b>Input Low Voltage</b>                     |   |                    |   |       |   |
|   |                 | I/O Pins                                     | V <sub>SS</sub>   | —                  | 0.2 V <sub>DD</sub>   | V     |   |
|   |                 | MCLR   | V <sub>SS</sub>   | —                  | 0.2 V <sub>DD</sub>   | V     |   |
|   |                 | I/O Pins with SDAx, SCLx                     | V <sub>SS</sub>   | —                  | 0.3 V <sub>DD</sub>   | V     | SMBus disabled  |
| DI19  |                 | I/O Pins with SDAx, SCLx                     | V <sub>SS</sub>   | —                  | 0.8   | V     | SMBus enabled   |
| DI20<br>DI28<br>DI29                                    | V <sub>IH</sub> | <b>Input High Voltage</b>                    |   |                    |   |       |   |
|   |                 | I/O Pins Not 5V Tolerant <sup>(4)</sup>      | 0.7 V <sub>DD</sub>   | —                  | V <sub>DD</sub>   | V     |   |
|   |                 | I/O Pins 5V Tolerant <sup>(4)</sup>          | 0.7 V <sub>DD</sub>   | —                  | 5.5   | V     |   |
|   |                 | SDAx, SCLx                                   | 0.7 V <sub>DD</sub>   | —                  | 5.5   | V     | SMBus disabled  |
| DI29  |                 | SDAx, SCLx                                   | 2.1   | —                  | 5.5   | V     | SMBus enabled   |
| DI30  | ICNPU           | <b>CNx Pull-up Current</b>                   | 50  | 250                | 450   | μA    | V <sub>DD</sub> = 3.3V, V <sub>PIN</sub> = V <sub>SS</sub>  |
| DI50<br>DI51<br>DI51a<br>DI51b<br>DI51c<br>DI55<br>DI56 | I <sub>IL</sub> | <b>Input Leakage Current<sup>(2,3)</sup></b> |   |                    |   |       |   |
|   |                 | I/O Pins 5V Tolerant <sup>(4)</sup>          | —   | —                  | ±2  | μA    | V <sub>SS</sub> ≤ V <sub>PIN</sub> ≤ V <sub>DD</sub> ,<br>Pin at high-impedance                                     |
|   |                 | I/O Pins Not 5V Tolerant <sup>(4)</sup>      | —   | —                  | ±1  | μA    | V <sub>SS</sub> ≤ V <sub>PIN</sub> ≤ V <sub>DD</sub> ,<br>Pin at high-impedance,<br>-40°C ≤ T <sub>A</sub> ≤ +85°C  |
|   |                 | I/O Pins Not 5V Tolerant <sup>(4)</sup>      | —   | —                  | ±2  | μA    | Shared with external<br>reference pins,<br>-40°C ≤ T <sub>A</sub> ≤ +85°C   |
|   |                 | I/O Pins Not 5V Tolerant <sup>(4)</sup>      | —   | —                  | ±3.5  | μA    | V <sub>SS</sub> ≤ V <sub>PIN</sub> ≤ V <sub>DD</sub> ,<br>Pin at high-impedance,<br>-40°C ≤ T <sub>A</sub> ≤ +125°C |
|   |                 | I/O Pins Not 5V Tolerant <sup>(4)</sup>      | —   | —                  | ±8  | μA    | Analog pins shared with<br>external<br>reference pins,<br>-40°C ≤ T <sub>A</sub> ≤ +125°C                           |
|   |                 | MCLR   | —   | —                  | ±2  | μA    | V <sub>SS</sub> ≤ V <sub>PIN</sub> ≤ V <sub>DD</sub>  |
| OSC1  | —               | —  | ±2  | μA                 | V <sub>SS</sub> ≤ V <sub>PIN</sub> ≤ V <sub>DD</sub> ,<br>XT and HS modes |       |   |

- Note 1:** Data in “Typ” column is at 3.3V, +25°C unless otherwise stated.
- Note 2:** The leakage current on the MCLR pin is strongly dependent on the applied voltage level. The specified levels represent normal operating conditions. Higher leakage current can be measured at different input voltages.
- Note 3:** Negative current is defined as current sourced by the pin.
- Note 4:** See “[Pin Diagrams](#)” for the 5V tolerant I/O pins.
- Note 5:** V<sub>IL</sub> source < (V<sub>SS</sub> – 0.3). Characterized but not tested.
- Note 6:** Non-5V tolerant pins, V<sub>IH</sub> source > (V<sub>DD</sub> + 0.3), 5V tolerant pins, V<sub>IH</sub> source > 5.5V. Characterized but not tested.
- Note 7:** Digital 5V tolerant pins cannot tolerate any “positive” input injection current from input sources > 5.5V.
- Note 8:** Injection currents > | 0 | can affect the ADC results by approximately 4-6 counts.
- Note 9:** Any number and/or combination of I/O pins, not excluded under I<sub>ICL</sub> or I<sub>ICH</sub> conditions, are permitted provided the mathematical “absolute instantaneous” sum of the input injection currents from all pins do not exceed the specified limit. Characterized but not tested.



TABLE 26-10: DC CHARACTERISTICS: I/O PIN INPUT SPECIFICATIONS (CONTINUED)

| DC CHARACTERISTICS |                    |  | Standard Operating Conditions: 3.0V to 3.6V<br>(unless otherwise stated)<br>Operating temperature -40°C ≤ TA ≤ +85°C for Industrial<br>-40°C ≤ TA ≤ +125°C for Extended |                       |     |       |  |
|--------------------|--------------------|--|---|-----------------------|-----|-------|--|
| Param No.          | Symbol             | Characteristic   | Min   | Typ <sup>(1)</sup>    | Max | Units | Conditions   |
| DI60a              | I <sub>ICL</sub>   | Input Low Injection Current  | 0   | -5 <sup>(5,8)</sup>   | —   | mA    | All pins except V <sub>DD</sub> , V <sub>SS</sub> , AV <sub>DD</sub> , AV <sub>SS</sub> , M <sub>CLR</sub> , V <sub>CAP</sub> , S <sub>OSCI</sub> , S <sub>OSCO</sub> and RB14                                       |
| DI60b              | I <sub>ICH</sub>   | Input High Injection Current                                       | 0   | +5 <sup>(6,7,8)</sup> | —   | mA    | All pins except V <sub>DD</sub> , V <sub>SS</sub> , AV <sub>DD</sub> , AV <sub>SS</sub> , M <sub>CLR</sub> , V <sub>CAP</sub> , S <sub>OSCI</sub> , S <sub>OSCO</sub> , RB14 and digital 5V-tolerant designated pins |
| DI60c              | ∑ I <sub>ICT</sub> | Total Input Injection Current<br>(sum of all I/O and control pins) | -20 <sup>(9)</sup>  | +20 <sup>(9)</sup>    | —   | mA    | Absolute instantaneous sum of all ± input injection currents from all I/O pins,<br>(   I <sub>ICL</sub>   +   I <sub>ICH</sub>   ) ≤ ∑ I <sub>ICT</sub>  |

- Note 1:** Data in “Typ” column is at 3.3V, +25°C unless otherwise stated.
- 2:** The leakage current on the M<sub>CLR</sub> pin is strongly dependent on the applied voltage level. The specified levels represent normal operating conditions. Higher leakage current can be measured at different input voltages.
- 3:** Negative current is defined as current sourced by the pin.
- 4:** See “Pin Diagrams” for the 5V tolerant I/O pins.
- 5:** V<sub>IL</sub> source < (V<sub>SS</sub> – 0.3). Characterized but not tested.
- 6:** Non-5V tolerant pins, V<sub>IH</sub> source > (V<sub>DD</sub> + 0.3), 5V tolerant pins, V<sub>IH</sub> source > 5.5V. Characterized but not tested.
- 7:** Digital 5V tolerant pins cannot tolerate any “positive” input injection current from input sources > 5.5V.
- 8:** Injection currents > | 0 | can affect the ADC results by approximately 4-6 counts.
- 9:** Any number and/or combination of I/O pins, not excluded under I<sub>ICL</sub> or I<sub>ICH</sub> conditions, are permitted provided the mathematical “absolute instantaneous” sum of the input injection currents from all pins do not exceed the specified limit. Characterized but not tested.

# dsPIC33FJ16(GP/MC)101/102 AND dsPIC33FJ32(GP/MC)101/102/104

**TABLE 26-11: DC CHARACTERISTICS: I/O PIN OUTPUT SPECIFICATIONS**

| DC CHARACTERISTICS |        |   | Standard Operating Conditions: 3.0V to 3.6V<br>(unless otherwise stated)<br>Operating temperature $-40^{\circ}\text{C} \leq T_A \leq +85^{\circ}\text{C}$ for Industrial<br>$-40^{\circ}\text{C} \leq T_A \leq +125^{\circ}\text{C}$ for Extended |                    |     |       |  |
|--------------------|--------|---|---|--------------------|-----|-------|--|
| Param No.          | Symbol | Characteristic  | Min   | Typ <sup>(1)</sup> | Max | Units | Conditions   |
| DO10               | VOL    | <b>Output Low Voltage</b><br>I/O Pins:<br>4x Sink Driver Pins – All pins<br>excluding OSCO    | —   | —                  | 0.4 | V     | $I_{OL} \leq 6 \text{ mA}$ , $V_{DD} = 3.3\text{V}$<br>See <b>Note 1</b>   |
|                    |        | <b>Output Low Voltage</b><br>I/O Pins:<br>8x Sink Driver Pins – OSCO                          | —   | —                  | 0.4 | V     | $I_{OL} \leq 10 \text{ mA}$ , $V_{DD} = 3.3\text{V}$<br>See <b>Note 1</b>  |
| DO20               | VOH    | <b>Output High Voltage</b><br>I/O Pins:<br>4x Source Driver Pins – All<br>pins excluding OSCO | 2.4   | —                  | —   | V     | $I_{OL} \geq -6 \text{ mA}$ , $V_{DD} = 3.3\text{V}$<br>See <b>Note 1</b>  |
|                    |        | <b>Output High Voltage</b><br>I/O Pins:<br>8x Source Driver Pins – OSCO                       | 2.4   | —                  | —   | V     | $I_{OL} \geq -10 \text{ mA}$ , $V_{DD} = 3.3\text{V}$<br>See <b>Note 1</b> |
| DO20A              | VOH1   | <b>Output High Voltage</b><br>I/O Pins:<br>4x Source Driver Pins – All<br>pins excluding OSCO | 1.5   | —                  | —   | V     | $I_{OH} \geq -12 \text{ mA}$ , $V_{DD} = 3.3\text{V}$<br>See <b>Note 1</b> |
|                    |        |   | 2.0   | —                  | —   |       | $I_{OH} \geq -11 \text{ mA}$ , $V_{DD} = 3.3\text{V}$<br>See <b>Note 1</b> |
|                    |        |   | 3.0   | —                  | —   |       | $I_{OH} \geq -3 \text{ mA}$ , $V_{DD} = 3.3\text{V}$<br>See <b>Note 1</b>  |
|                    |        | <b>Output High Voltage</b><br>I/O Pins:<br>8x Source Driver Pins – OSCO                       | 1.5   | —                  | —   | V     | $I_{OH} \geq -16 \text{ mA}$ , $V_{DD} = 3.3\text{V}$<br>See <b>Note 1</b> |
|                    |        |   | 2.0   | —                  | —   |       | $I_{OH} \geq -12 \text{ mA}$ , $V_{DD} = 3.3\text{V}$<br>See <b>Note 1</b> |
|                    |        |   | 3.0   | —                  | —   |       | $I_{OH} \geq -4 \text{ mA}$ , $V_{DD} = 3.3\text{V}$<br>See <b>Note 1</b>  |

**Note 1:** Data in “Typ” column is at 3.3V, +25°C unless otherwise stated.

TABLE 26-12: DC CHARACTERISTICS: PROGRAM MEMORY

| DC CHARACTERISTICS          |        |                                   | Standard Operating Conditions: 3.0V to 3.6V<br>(unless otherwise stated)<br>Operating temperature -40°C ≤ TA ≤ +85°C for Industrial<br>-40°C ≤ TA ≤ +125°C for Extended |                    |      |       |   |
|-----------------------------|--------|-----------------------------------|---|--------------------|------|-------|---|
| Param No.                   | Symbol | Characteristic <sup>(3)</sup>     | Min   | Typ <sup>(1)</sup> | Max  | Units | Conditions  |
| <b>Program Flash Memory</b> |        |                                   |   |                    |      |       |   |
| D130a                       | EP     | Cell Endurance                    | 10,000  | —                  | —    | E/W   | -40°C to +125°C   |
| D131                        | VPR    | VDD for Read                      | V <sub>MIN</sub>  | —                  | 3.6  | V     | V <sub>MIN</sub> = Minimum operating voltage            |
| D132B                       | VPEW   | VDD for Self-Timed Write          | V <sub>MIN</sub>  | —                  | 3.6  | V     | V <sub>MIN</sub> = Minimum operating voltage            |
| D134                        | TRETD  | Characteristic Retention          | 20  | —                  | —    | Year  | Provided no other specifications are violated           |
| D135                        | IDDP   | Supply Current during Programming | —   | 10                 | —    | mA    |   |
| D137a                       | TPE    | Page Erase Time                   | 20.1  | —                  | 26.5 | ms    | TPE = 168517 FRC cycles, TA = +85°C, See <b>Note 2</b>  |
| D137b                       | TPE    | Page Erase Time                   | 19.5  | —                  | 27.3 | ms    | TPE = 168517 FRC cycles, TA = +125°C, See <b>Note 2</b> |
| D138a                       | TWW    | Word Write Cycle Time             | 47.4  | —                  | 49.3 | μs    | TWW = 355 FRC cycles, TA = +85°C, See <b>Note 2</b>     |
| D138b                       | TWW    | Word Write Cycle Time             | 47.4  | —                  | 49.3 | μs    | TWW = 355 FRC cycles, TA = +125°C, See <b>Note 2</b>    |

- Note 1:** Data in “Typ” column is at 3.3V, +25°C unless otherwise stated.
- 2:** Other conditions: FRC = 7.37 MHz, TUN<5:0> = b'011111 (for Min), TUN<5:0> = b'100000 (for Max). This parameter depends on the FRC accuracy (see [Table 26-18](#)) and the value of the FRC Oscillator Tuning register (see [Register 8-3](#)). For complete details on calculating the Minimum and Maximum time, see [Section 5.3 “Programming Operations”](#).
- 3:** These parameters are ensured by design, but are not characterized or tested in manufacturing.

TABLE 26-13: INTERNAL VOLTAGE REGULATOR SPECIFICATIONS

| DC CHARACTERISTICS |        |  | Standard Operating Conditions: 3.0V to 3.6V<br>(unless otherwise stated)<br>Operating temperature -40°C ≤ TA ≤ +85°C for Industrial<br>-40°C ≤ TA ≤ +125°C for Extended |     |     |       |  |
|--------------------|--------|--|---|-----|-----|-------|--|
| Param No.          | Symbol | Characteristics                                | Min   | Typ | Max | Units | Comments   |
| —                  | CEFC   | External Filter Capacitor Value <sup>(1)</sup> | 4.7   | 10  | —   | μF    | Capacitor must be low series resistance (< 5 ohms) |

- Note 1:** Typical VCAP voltage = 2.5V when VDD ≥ VDDMIN.

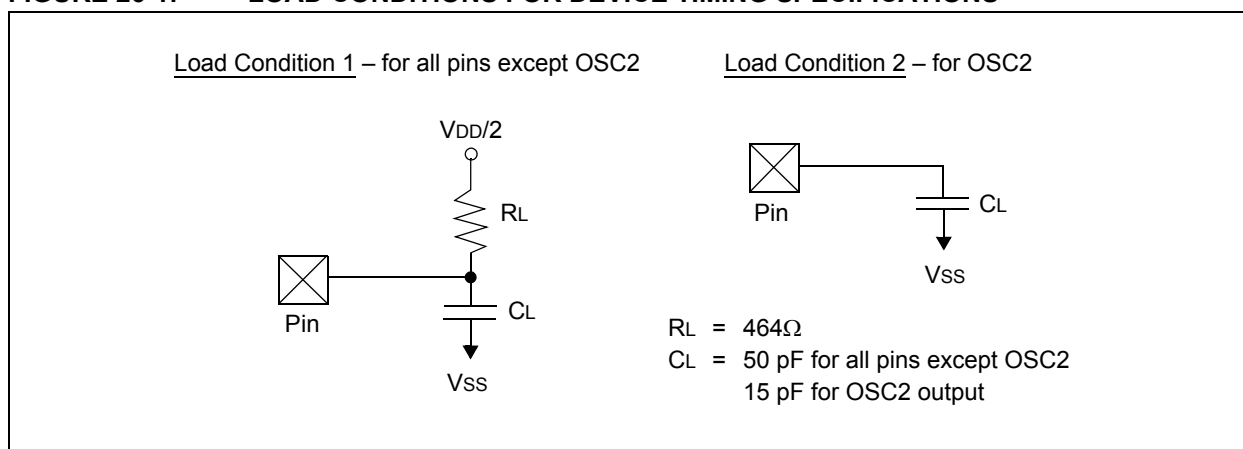
## 26.2 AC Characteristics and Timing Parameters

This section defines dsPIC33FJ16(GP/MC)101/102 and dsPIC33FJ32(GP/MC)101/102/104 AC characteristics and timing parameters.

**TABLE 26-14: TEMPERATURE AND VOLTAGE SPECIFICATIONS – AC**

|                           |   |
|---------------------------|---|
| <b>AC CHARACTERISTICS</b> | <b>Standard Operating Conditions: 3.0V to 3.6V (unless otherwise stated)</b>  |
|                           | Operating temperature $-40^{\circ}\text{C} \leq T_A \leq +85^{\circ}\text{C}$ for Industrial<br>$-40^{\circ}\text{C} \leq T_A \leq +125^{\circ}\text{C}$ for Extended<br>Operating voltage $V_{DD}$ range as described in <a href="#">Section 26.1 “DC Characteristics”</a> . |

**FIGURE 26-1: LOAD CONDITIONS FOR DEVICE TIMING SPECIFICATIONS**



**TABLE 26-15: CAPACITIVE LOADING REQUIREMENTS ON OUTPUT PINS**

| Param No. | Symbol | Characteristic        | Min | Typ | Max | Units | Conditions   |
|-----------|--------|-----------------------|-----|-----|-----|-------|--|
| DO50      | Cosc2  | OSC2/SOSC2 Pin        | —   | —   | 15  | pF    | In MS and HS modes when external clock is used to drive OSC1 |
| DO56      | Cio    | All I/O Pins and OSC2 | —   | —   | 50  | pF    | EC mode  |
| DO58      | Cb     | SCLx, SDAx            | —   | —   | 400 | pF    | In I <sup>2</sup> C™ mode                                    |

FIGURE 26-2: EXTERNAL CLOCK TIMING



TABLE 26-16: EXTERNAL CLOCK TIMING REQUIREMENTS

| AC CHARACTERISTICS |               |  | Standard Operating Conditions: 3.0V to 3.6V<br>(unless otherwise stated)<br>Operating temperature -40°C ≤ TA ≤ +85°C for Industrial<br>-40°C ≤ TA ≤ +125°C for Extended |                    |     |       |                           |
|--------------------|---------------|--|---|--------------------|-----|-------|---------------------------|
| Param No.          | Symb          | Characteristic   | Min   | Typ <sup>(1)</sup> | Max | Units | Conditions                |
| OS10               | FIN           | External CLKI Frequency<br>(External clocks allowed only<br>in EC and ECPLL modes) | DC  | —                  | 32  | MHz   | EC                        |
|                    |               | Oscillator Crystal Frequency   | 3.0   | —                  | 10  | MHz   | MS                        |
|                    |               |  | 10  | —                  | 32  | MHz   | HS                        |
|                    |               | 31   | —   | 33                 | kHz | SOSC  |                           |
| OS20               | Tosc          | Tosc = 1/Fosc  | 31.25   | —                  | DC  | ns    |                           |
| OS25               | Tcy           | Instruction Cycle Time <sup>(2,4)</sup>  | 62.5  | —                  | DC  | ns    |                           |
| OS30               | TosL,<br>TosH | External Clock in (OSC1) <sup>(5)</sup><br>High or Low Time                        | 0.45 x Tosc   | —                  | —   | ns    | EC                        |
| OS31               | TosR,<br>TosF | External Clock in (OSC1) <sup>(5)</sup><br>Rise or Fall Time                       | —   | —                  | 20  | ns    | EC                        |
| OS40               | TckR          | CLKO Rise Time <sup>(3,5)</sup>  | —   | 6                  | 10  | ns    |                           |
| OS41               | TckF          | CLKO Fall Time <sup>(3,5)</sup>  | —   | 6                  | 10  | ns    |                           |
| OS42               | GM            | External Oscillator<br>Transconductance <sup>(4)</sup>                             | 14  | 16                 | 18  | mA/V  | VDD = 3.3V,<br>TA = +25°C |

**Note 1:** Data in “Typ” column is at 3.3V, +25°C unless otherwise stated.

**2:** Instruction cycle period (Tcy) equals two times the input oscillator time base period. All specified values are based on characterization data for that particular oscillator type, under standard operating conditions, with the device executing code. Exceeding these specified limits may result in an unstable oscillator operation and/or higher than expected current consumption. All devices are tested to operate at “min.” values with an external clock applied to the OSC1/CLKI pin. When an external clock input is used, the “max.” cycle time limit is “DC” (no clock) for all devices.

**3:** Measurements are taken in EC mode. The CLKO signal is measured on the OSC2 pin.

**4:** These parameters are characterized by similarity, but are tested in manufacturing at FIN = 32 MHz only.

**5:** These parameters are characterized by similarity, but are not tested in manufacturing.

**TABLE 26-17: PLL CLOCK TIMING SPECIFICATIONS**

| AC CHARACTERISTICS |        | Standard Operating Conditions: 3.0V to 3.6V (unless otherwise stated)<br>Operating temperature -40°C ≤ TA ≤ +85°C for Industrial<br>-40°C ≤ TA ≤ +125°C for Extended |     |                    |     |       |                       |
|--------------------|--------|--|-----|--------------------|-----|-------|-----------------------|
| Param No.          | Symbol | Characteristic   | Min | Typ <sup>(1)</sup> | Max | Units | Conditions            |
| OS50               | FPLLI  | PLL Voltage Controlled Oscillator (VCO) Input Frequency Range <sup>(2)</sup>   | 3.0 | —                  | 8   | MHz   | ECPLL and MSPLL modes |
| OS51               | FSYS   | On-Chip VCO System Frequency <sup>(3)</sup>  | 12  | —                  | 32  | MHz   |                       |
| OS52               | TLOCK  | PLL Start-up Time (Lock Time) <sup>(3)</sup>   | —   | —                  | 2   | mS    |                       |
| OS53               | DCLK   | CLKO Stability (Jitter) <sup>(3)</sup>   | -2  | 1                  | +2  | %     |                       |

**Note 1:** Data in “Typ” column is at 3.3V, +25°C unless otherwise stated. Parameters are for design guidance only and are not tested.

**2:** These parameters are characterized by similarity, but are tested in manufacturing at 7.7 MHz input only.

**3:** These parameters are characterized by similarity, but are not tested in manufacturing. This specification is based on clock cycle by clock cycle measurements. The effective jitter for individual time bases, or communication clocks used by the user application, are derived from dividing the CLKO stability specification by the square root of “N” (where “N” is equal to FOSC, divided by the peripheral data rate clock). For example, if FOSC = 32 MHz and the SPI bit rate is 5 MHz, the effective jitter of the SPI clock is equal to:

$$\frac{DCLK}{\sqrt{\frac{32}{5}}} = \frac{2\%}{2.53} = 0.79\%$$

**TABLE 26-18: AC CHARACTERISTICS: INTERNAL FAST RC (FRC) ACCURACY**

| AC CHARACTERISTICS                                      |                | Standard Operating Conditions: 3.0V to 3.6V (unless otherwise stated)<br>Operating temperature -40°C ≤ TA ≤ +85°C for Industrial<br>-40°C ≤ TA ≤ +125°C for Extended |       |      |       |                    |
|---|----------------|--|-------|------|-------|--------------------|
| Param No.   | Characteristic | Min  | Typ   | Max  | Units | Conditions         |
| <b>Internal FRC Accuracy @ 7.3728 MHz<sup>(1)</sup></b> |                |  |       |      |       |                    |
| F20a  | FRC            | -1.5   | ±0.25 | +1.5 | %     | -40°C ≤ TA ≤ -10°C |
| F20b  | FRC            | -1   | ±0.25 | +1   | %     | -10°C ≤ TA ≤ +85°C |
| F20c  | FRC            | -2   | ±0.25 | +2   | %     | +125°C             |

**Note 1:** Frequency is calibrated at +25°C and 3.3V. TUNx bits may be used to compensate for temperature drift.

**TABLE 26-19: INTERNAL LOW-POWER RC (LPRC) ACCURACY**

| AC CHARACTERISTICS                       |                | Standard Operating Conditions: 3.0V to 3.6V (unless otherwise stated)<br>Operating temperature -40°C ≤ TA ≤ +85°C for Industrial<br>-40°C ≤ TA ≤ +125°C for Extended |     |     |       |                     |
|--|----------------|--|-----|-----|-------|---------------------|
| Param No.                                | Characteristic | Min  | Typ | Max | Units | Conditions          |
| <b>LPRC @ 32.768 kHz<sup>(1,2)</sup></b> |                |  |     |     |       |                     |
| F21a                                     | LPRC           | -20  | ±10 | +20 | %     | -40°C ≤ TA ≤ +85°C  |
| F21b                                     | LPRC           | -30  | ±10 | +30 | %     | -40°C ≤ TA ≤ +125°C |

**Note 1:** Change of LPRC frequency as VDD changes.

**2:** LPRC accuracy impacts the Watchdog Timer Time-out Period (TWDT1). See [Section 23.4 “Watchdog Timer \(WDT\)”](#) for more information.

FIGURE 26-3: CLKO AND I/O TIMING CHARACTERISTICS



TABLE 26-20: I/O TIMING REQUIREMENTS

| AC CHARACTERISTICS |        | Standard Operating Conditions: 3.0V to 3.6V<br>(unless otherwise stated)<br>Operating temperature $-40^{\circ}\text{C} \leq T_A \leq +85^{\circ}\text{C}$ for Industrial<br>$-40^{\circ}\text{C} \leq T_A \leq +125^{\circ}\text{C}$ for Extended |     |                    |     |       |            |
|--------------------|--------|---|-----|--------------------|-----|-------|------------|
| Param No.          | Symbol | Characteristic <sup>(2)</sup>   | Min | Typ <sup>(1)</sup> | Max | Units | Conditions |
| DO31               | TioR   | Port Output Rise Time   | —   | 10                 | 25  | ns    |            |
| DO32               | TioF   | Port Output Fall Time   | —   | 10                 | 25  | ns    |            |
| DI35               | TINP   | INTx Pin High or Low Time (input)   | 25  | —                  | —   | ns    |            |
| DI40               | TRBP   | CNx High or Low Time (input)  | 2   | —                  | —   | Tcy   |            |

**Note 1:** Data in “Typ” column is at 3.3V, +25°C unless otherwise stated.

**2:** These parameters are characterized, but are not tested in manufacturing.

**FIGURE 26-4: RESET, WATCHDOG TIMER, OSCILLATOR START-UP TIMER AND POWER-UP TIMER TIMING CHARACTERISTICS**



**TABLE 26-21: RESET, WATCHDOG TIMER, OSCILLATOR START-UP TIMER, POWER-UP TIMER AND BROWN-OUT RESET TIMING REQUIREMENTS**

| AC CHARACTERISTICS |       |  | Standard Operating Conditions: 3.0V to 3.6V<br>(unless otherwise stated)<br>Operating temperature $-40^{\circ}\text{C} \leq T_A \leq +85^{\circ}\text{C}$ for Industrial<br>$-40^{\circ}\text{C} \leq T_A \leq +125^{\circ}\text{C}$ for Extended |                    |     |               |  |
|--------------------|-------|--|---|--------------------|-----|---------------|--|
| Param No.          | Symb  | Characteristic <sup>(1)</sup>                            | Min   | Typ <sup>(2)</sup> | Max | Units         | Conditions   |
| SY10               | TmCL  | MCLR Pulse Width (low)                                   | 2   | —                  | —   | $\mu\text{s}$ |  |
| SY11               | TPWRT | Power-up Timer Period                                    | —   | 64                 | —   | ms            |  |
| SY12               | TPOR  | Power-on Reset Delay                                     | 3   | 10                 | 30  | $\mu\text{s}$ |  |
| SY13               | TIOZ  | I/O High-Impedance from MCLR Low or Watchdog Timer Reset | —   | —                  | 1.2 | $\mu\text{s}$ |  |
| SY20               | TWDT1 | Watchdog Timer Time-out Period                           | —   | —                  | —   | ms            | See Section 23.4 “Watchdog Timer (WDT)” and LPRC Parameter F21a (Table 26-19). |
| SY30               | TOST  | Oscillator Start-up Time                                 | —   | 1024 * TOSC        | —   | —             | TOSC = OSC1 period   |
| SY35               | TFSCM | Fail-Safe Clock Monitor Delay                            | —   | 500                | 900 | $\mu\text{s}$ |  |

**Note 1:** These parameters are characterized but are not tested in manufacturing.

**Note 2:** Data in “Typ” column is at 3.3V, +25°C unless otherwise stated.



FIGURE 26-5: TIMER1, 2 AND 3 EXTERNAL CLOCK TIMING CHARACTERISTICS



TABLE 26-22: TIMER1 EXTERNAL CLOCK TIMING REQUIREMENTS<sup>(1)</sup>

| AC CHARACTERISTICS |                       |   | Standard Operating Conditions: 3.0V to 3.6V<br>(unless otherwise stated)<br>Operating temperature -40°C ≤ T <sub>A</sub> ≤ +85°C for Industrial<br>-40°C ≤ T <sub>A</sub> ≤ +125°C for Extended |   |     |                           |       |  |
|--------------------|-----------------------|---|---|---|-----|---------------------------|-------|--|
| Param No.          | Symbol                | Characteristic <sup>(2)</sup>   |   | Min   | Typ | Max                       | Units | Conditions   |
| TA10               | T <sub>TxH</sub>      | T1CK High Time  | Synchronous mode  | Greater of:<br>20 or<br>(T <sub>CY</sub> + 20)/N    | —   | —                         | ns    | Must also meet Parameter TA15, N = prescaler value (1, 8, 64, 256) |
|                    |                       |   | Asynchronous  | 35  | —   | —                         | ns    |  |
| TA11               | T <sub>TxL</sub>      | T1CK Low Time   | Synchronous mode  | Greater of:<br>20 ns or<br>(T <sub>CY</sub> + 20)/N | —   | —                         | ns    | Must also meet Parameter TA15, N = prescaler value (1, 8, 64, 256) |
|                    |                       |   | Asynchronous  | 10  | —   | —                         | ns    |  |
| TA15               | T <sub>TxP</sub>      | T1CK Input Period   | Synchronous mode  | Greater of:<br>40 or<br>(2 T <sub>CY</sub> + 40)/N  | —   | —                         | ns    | N = prescale value (1, 8, 64, 256)                                 |
| OS60               | F <sub>t1</sub>       | SOSC1/T1CK Oscillator Input Frequency Range (oscillator enabled by setting bit, TCS (T1CON<1>)) |   | DC  | —   | 50                        | kHz   |  |
| TA20               | T <sub>CKEXTMRL</sub> | Delay from External T1CK Clock Edge to Timer Increment  |   | 0.75 T <sub>CY</sub> + 40                           | —   | 1.75 T <sub>CY</sub> + 40 | ns    |  |

**Note 1:** Timer1 is a Type A.

**Note 2:** These parameters are characterized by similarity, but are not tested in manufacturing.

# dsPIC33FJ16(GP/MC)101/102 AND dsPIC33FJ32(GP/MC)101/102/104

**TABLE 26-23: TIMER2/4 EXTERNAL CLOCK TIMING REQUIREMENTS**

| AC CHARACTERISTICS |           |  | Standard Operating Conditions: 3.0V to 3.6V<br>(unless otherwise stated)<br>Operating temperature $-40^{\circ}\text{C} \leq T_A \leq +85^{\circ}\text{C}$ for Industrial<br>$-40^{\circ}\text{C} \leq T_A \leq +125^{\circ}\text{C}$ for Extended |  |     |               |       |  |
|--------------------|-----------|--|---|--|-----|---------------|-------|--|
| Param No.          | Symbol    | Characteristic <sup>(1)</sup>                          |   | Min                                    | Typ | Max           | Units | Conditions   |
| TB10               | TtxH      | TxCK High Time   | Synchronous mode  | Greater of:<br>20 or<br>(Tcy + 20)/N   | —   | —             | ns    | Must also meet Parameter <a href="#">TB15</a> , N = prescale value (1, 8, 64, 256) |
| TB11               | TtxL      | TxCK Low Time  | Synchronous mode  | Greater of:<br>20 or<br>(Tcy + 20)/N   | —   | —             | ns    | Must also meet Parameter <a href="#">TB15</a> , N = prescale value (1, 8, 64, 256) |
| TB15               | TtxP      | TxCK Input Period                                      | Synchronous mode  | Greater of:<br>40 or<br>(2 Tcy + 40)/N | —   | —             | ns    | N = prescale value (1, 8, 64, 256)   |
| TB20               | TCKEXTMRL | Delay from External TxCK Clock Edge to Timer Increment |   | 0.75 Tcy + 40                          | —   | 1.75 Tcy + 40 | ns    |  |

**Note 1:** These parameters are characterized, but are not tested in manufacturing.

**TABLE 26-24: TIMER3/5 EXTERNAL CLOCK TIMING REQUIREMENTS**

| AC CHARACTERISTICS |           |  | Standard Operating Conditions: 3.0V to 3.6V<br>(unless otherwise stated)<br>Operating temperature $-40^{\circ}\text{C} \leq T_A \leq +85^{\circ}\text{C}$ for Industrial<br>$-40^{\circ}\text{C} \leq T_A \leq +125^{\circ}\text{C}$ for Extended |               |     |               |       |   |
|--------------------|-----------|--|---|---------------|-----|---------------|-------|---|
| Param No.          | Symbol    | Characteristic <sup>(1)</sup>                          |   | Min           | Typ | Max           | Units | Conditions                                    |
| TC10               | TtxH      | TxCK High Time   | Synchronous   | Tcy + 20      | —   | —             | ns    | Must also meet Parameter <a href="#">TC15</a> |
| TC11               | TtxL      | TxCK Low Time  | Synchronous   | Tcy + 20      | —   | —             | ns    | Must also meet Parameter <a href="#">TC15</a> |
| TC15               | TtxP      | TxCK Input Period                                      | Synchronous, with prescaler   | 2 Tcy + 40    | —   | —             | ns    | N = prescale value (1, 8, 64, 256)            |
| TC20               | TCKEXTMRL | Delay from External TxCK Clock Edge to Timer Increment |   | 0.75 Tcy + 40 | —   | 1.75 Tcy + 40 | ns    |   |

**Note 1:** These parameters are characterized, but are not tested in manufacturing.

**FIGURE 26-6: INPUT CAPTURE x (ICx) TIMING CHARACTERISTICS**



**TABLE 26-25: INPUT CAPTURE x (ICx) TIMING REQUIREMENTS**

| AC CHARACTERISTICS |        | Standard Operating Conditions: 3.0V to 3.6V<br>(unless otherwise stated)<br>Operating temperature -40°C ≤ TA ≤ +85°C for Industrial<br>-40°C ≤ TA ≤ +125°C for Extended |                |              |     |       |                               |
|--------------------|--------|---|----------------|--------------|-----|-------|-------------------------------|
| Param No.          | Symbol | Characteristic <sup>(1)</sup>   |                | Min          | Max | Units | Conditions                    |
| IC10               | TccL   | ICx Input Low Time  | No Prescaler   | 0.5 Tcy + 20 | —   | ns    |                               |
|                    |        |   | With Prescaler | 10           | —   | ns    |                               |
| IC11               | TccH   | ICx Input High Time   | No Prescaler   | 0.5 Tcy + 20 | —   | ns    |                               |
|                    |        |   | With Prescaler | 10           | —   | ns    |                               |
| IC15               | TccP   | ICx Input Period  |                | (Tcy + 40)/N | —   | ns    | N = prescale value (1, 4, 16) |

**Note 1:** These parameters are characterized by similarity, but are not tested in manufacturing.

# dsPIC33FJ16(GP/MC)101/102 AND dsPIC33FJ32(GP/MC)101/102/104

**FIGURE 26-7: OUTPUT COMPARE x MODULE (OCx) TIMING CHARACTERISTICS**

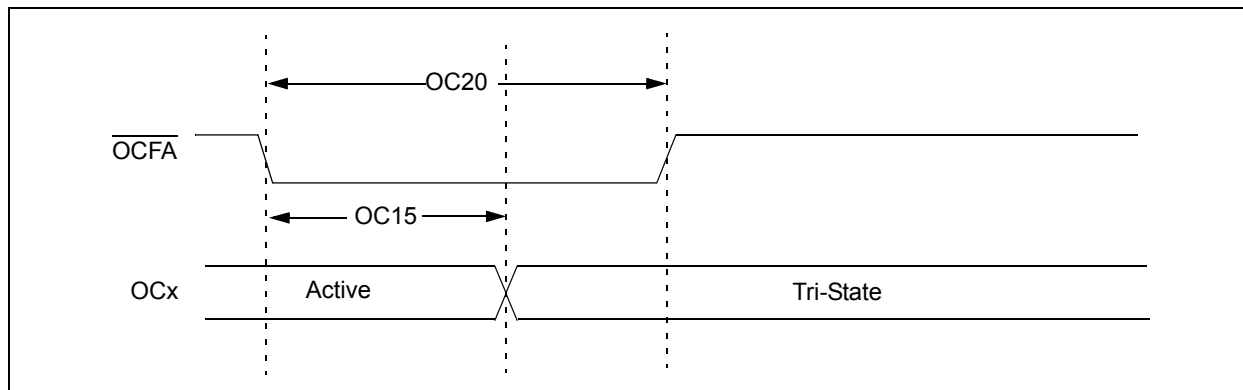


**TABLE 26-26: OUTPUT COMPARE x (OCx) MODULE TIMING REQUIREMENTS**

| AC CHARACTERISTICS |        |                               | Standard Operating Conditions: 3.0V to 3.6V<br>(unless otherwise stated)<br>Operating temperature $-40^{\circ}\text{C} \leq T_A \leq +85^{\circ}\text{C}$ for Industrial<br>$-40^{\circ}\text{C} \leq T_A \leq +125^{\circ}\text{C}$ for Extended |     |     |       |                    |
|--------------------|--------|-------------------------------|---|-----|-----|-------|--------------------|
| Param No.          | Symbol | Characteristic <sup>(1)</sup> | Min   | Typ | Max | Units | Conditions         |
| OC10               | TccF   | OCx Output Fall Time          | —   | —   | —   | ns    | See Parameter DO32 |
| OC11               | TccR   | OCx Output Rise Time          | —   | —   | —   | ns    | See Parameter DO31 |

**Note 1:** These parameters are characterized by similarity, but are not tested in manufacturing.

**FIGURE 26-8: OCx/PWM MODULE TIMING CHARACTERISTICS**



**TABLE 26-27: SIMPLE OCx/PWM MODE TIMING REQUIREMENTS**

| AC CHARACTERISTICS |        |                               | Standard Operating Conditions: 3.0V to 3.6V<br>(unless otherwise stated)<br>Operating temperature $-40^{\circ}\text{C} \leq T_A \leq +85^{\circ}\text{C}$ for Industrial<br>$-40^{\circ}\text{C} \leq T_A \leq +125^{\circ}\text{C}$ for Extended |     |                          |       |            |
|--------------------|--------|-------------------------------|---|-----|--------------------------|-------|------------|
| Param No.          | Symbol | Characteristic <sup>(1)</sup> | Min   | Typ | Max                      | Units | Conditions |
| OC15               | TFD    | Fault Input to PWM I/O Change | —   | —   | $T_{CY} + 20 \text{ ns}$ | ns    |            |
| OC20               | TFLT   | Fault Input Pulse Width       | $T_{CY} + 20 \text{ ns}$  | —   | —                        | ns    |            |

**Note 1:** These parameters are characterized by similarity, but are not tested in manufacturing.

FIGURE 26-9: MOTOR CONTROL PWM MODULE FAULT TIMING CHARACTERISTICS

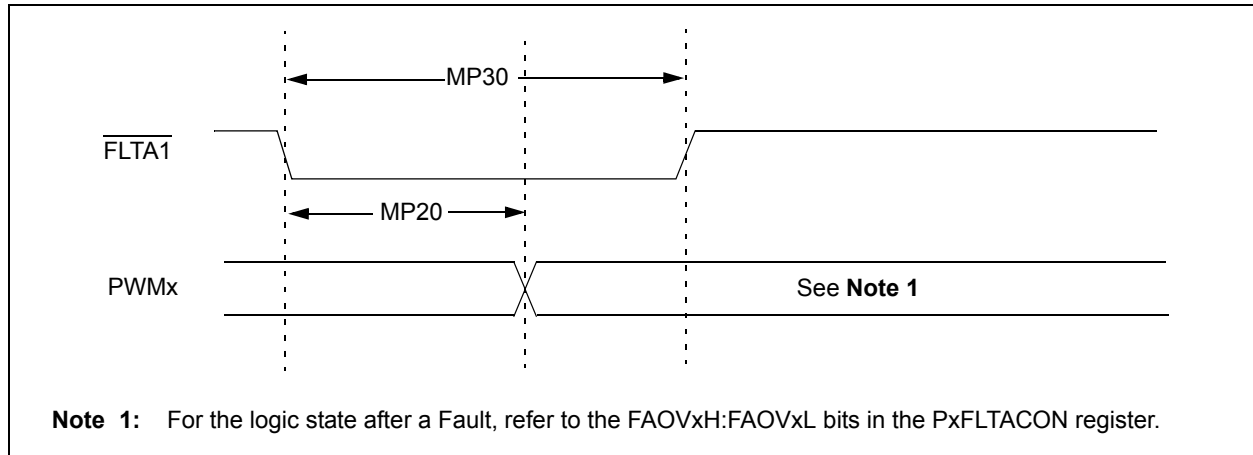


FIGURE 26-10: MOTOR CONTROL PWM MODULE TIMING CHARACTERISTICS

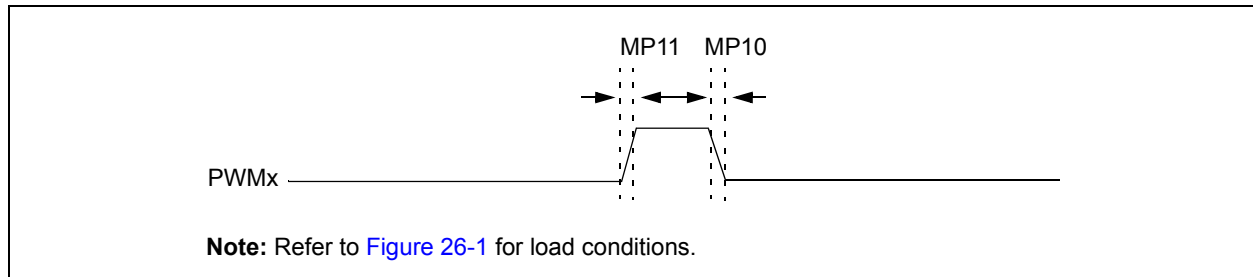


TABLE 26-28: MOTOR CONTROL PWM MODULE TIMING REQUIREMENTS

| AC CHARACTERISTICS |                   |                                 | Standard Operating Conditions: 3.0V to 3.6V<br>(unless otherwise stated)<br>Operating temperature -40°C ≤ TA ≤ +85°C for Industrial<br>-40°C ≤ TA ≤ +125°C for Extended |     |     |       |                                    |
|--------------------|-------------------|---------------------------------|---|-----|-----|-------|------------------------------------|
| Param No.          | Symbol            | Characteristic <sup>(1)</sup>   | Min   | Typ | Max | Units | Conditions                         |
| MP10               | T <sub>FPWM</sub> | PWM Output Fall Time            | —   | —   | —   | ns    | See Parameter <a href="#">DO32</a> |
| MP11               | T <sub>RPWM</sub> | PWM Output Rise Time            | —   | —   | —   | ns    | See Parameter <a href="#">DO31</a> |
| MP20               | T <sub>FD</sub>   | Fault Input ↓ to PWM I/O Change | —   | —   | 50  | ns    |                                    |
| MP30               | T <sub>FH</sub>   | Minimum Pulse Width             | 50  | —   | —   | ns    |                                    |

**Note 1:** These parameters are characterized by similarity, but are not tested in manufacturing.

# dsPIC33FJ16(GP/MC)101/102 AND dsPIC33FJ32(GP/MC)101/102/104

**TABLE 26-29: SPIx MAXIMUM DATA/CLOCK RATE SUMMARY FOR dsPIC33FJ16(GP/MC)10X**

| AC CHARACTERISTICS |                                    |                                       | Standard Operating Conditions: 2.4V to 3.6V<br>(unless otherwise stated)<br>Operating temperature -40°C ≤ TA ≤ +85°C for Industrial<br>-40°C ≤ TA ≤ +125°C for Extended |     |     |     |
|--------------------|------------------------------------|---------------------------------------|---|-----|-----|-----|
| Maximum Data Rate  | Master Transmit Only (Half-Duplex) | Master Transmit/Receive (Full-Duplex) | Slave Transmit/Receive (Full-Duplex)  | CKE | CKP | SMP |
| 15 MHz             | Table 26-30                        | —                                     | —   | 0,1 | 0,1 | 0,1 |
| 10 MHz             | —                                  | Table 26-31                           | —   | 1   | 0,1 | 1   |
| 10 MHz             | —                                  | Table 26-32                           | —   | 0   | 0,1 | 1   |
| 15 MHz             | —                                  | —                                     | Table 26-33   | 1   | 0   | 0   |
| 11 MHz             | —                                  | —                                     | Table 26-34   | 1   | 1   | 0   |
| 15 MHz             | —                                  | —                                     | Table 26-35   | 0   | 1   | 0   |
| 11 MHz             | —                                  | —                                     | Table 26-36   | 0   | 0   | 0   |

**FIGURE 26-11: SPIx MASTER MODE (HALF-DUPLEX, TRANSMIT ONLY, CKE = 0) TIMING CHARACTERISTICS FOR dsPIC33FJ16(GP/MC)10X**



**FIGURE 26-12: SPIx MASTER MODE (HALF-DUPLEX, TRANSMIT ONLY, CKE = 1) TIMING CHARACTERISTICS FOR dsPIC33FJ16(GP/MC)10X**



**TABLE 26-30: SPIx MASTER MODE (HALF-DUPLEX, TRANSMIT ONLY) TIMING REQUIREMENTS FOR dsPIC33FJ16(GP/MC)10X**

| AC CHARACTERISTICS |                       |   | Standard Operating Conditions: 2.4V to 3.6V<br>(unless otherwise stated)<br>Operating temperature -40°C ≤ TA ≤ +85°C for Industrial<br>-40°C ≤ TA ≤ +125°C for Extended |                    |     |       |                               |
|--------------------|-----------------------|---|---|--------------------|-----|-------|-------------------------------|
| Param No.          | Symbol                | Characteristic <sup>(1)</sup>             | Min   | Typ <sup>(2)</sup> | Max | Units | Conditions                    |
| SP10               | TscP                  | Maximum SCKx Frequency                    | —   | —                  | 15  | MHz   | See Note 3                    |
| SP20               | TscF                  | SCKx Output Fall Time                     | —   | —                  | —   | ns    | See Parameter DO32 and Note 4 |
| SP21               | TscR                  | SCKx Output Rise Time                     | —   | —                  | —   | ns    | See Parameter DO31 and Note 4 |
| SP30               | TdoF                  | SDOx Data Output Fall Time                | —   | —                  | —   | ns    | See Parameter DO32 and Note 4 |
| SP31               | TdoR                  | SDOx Data Output Rise Time                | —   | —                  | —   | ns    | See Parameter DO31 and Note 4 |
| SP35               | TscH2doV,<br>TscL2doV | SDOx Data Output Valid after SCKx Edge    | —   | 6                  | 20  | ns    |                               |
| SP36               | TdiV2sch,<br>TdiV2scl | SDOx Data Output Setup to First SCKx Edge | 30  | —                  | —   | ns    |                               |

- Note 1:** These parameters are characterized, but are not tested in manufacturing.  
**Note 2:** Data in “Typ” column is at 3.3V, +25°C unless otherwise stated.  
**Note 3:** The minimum clock period for SCKx is 66.7 ns. Therefore, the clock generated in Master mode must not violate this specification.  
**Note 4:** Assumes 50 pF load on all SPIx pins.

# dsPIC33FJ16(GP/MC)101/102 AND dsPIC33FJ32(GP/MC)101/102/104

**FIGURE 26-13: SPIx MASTER MODE (FULL-DUPLEX, CKE = 1, CKP = x, SMP = 1) TIMING CHARACTERISTICS FOR dsPIC33FJ16(GP/MC)10X**



**TABLE 26-31: SPIx MASTER MODE (FULL-DUPLEX, CKE = 1, CKP = x, SMP = 1) TIMING REQUIREMENTS FOR dsPIC33FJ16(GP/MC)10X**

| AC CHARACTERISTICS |                       |  | Standard Operating Conditions: 2.4V to 3.6V<br>(unless otherwise stated)<br>Operating temperature -40°C ≤ TA ≤ +85°C for Industrial<br>-40°C ≤ TA ≤ +125°C for Extended |                    |     |       |   |
|--------------------|-----------------------|--|---|--------------------|-----|-------|---|
| Param No.          | Symbol                | Characteristic <sup>(1)</sup>              | Min   | Typ <sup>(2)</sup> | Max | Units | Conditions  |
| SP10               | TscP                  | Maximum SCKx Frequency                     | —   | —                  | 10  | MHz   | See <a href="#">Note 3</a>                                    |
| SP20               | TscF                  | SCKx Output Fall Time                      | —   | —                  | —   | ns    | See Parameter <a href="#">DO32</a> and <a href="#">Note 4</a> |
| SP21               | TscR                  | SCKx Output Rise Time                      | —   | —                  | —   | ns    | See Parameter <a href="#">DO31</a> and <a href="#">Note 4</a> |
| SP30               | TdoF                  | SDOx Data Output Fall Time                 | —   | —                  | —   | ns    | See Parameter <a href="#">DO32</a> and <a href="#">Note 4</a> |
| SP31               | TdoR                  | SDOx Data Output Rise Time                 | —   | —                  | —   | ns    | See Parameter <a href="#">DO31</a> and <a href="#">Note 4</a> |
| SP35               | Tsch2doV,<br>TscL2doV | SDOx Data Output Valid after SCKx Edge     | —   | 6                  | 20  | ns    |   |
| SP36               | TdoV2sc,<br>TdoV2scL  | SDOx Data Output Setup to First SCKx Edge  | 30  | —                  | —   | ns    |   |
| SP40               | TdiV2sch,<br>TdiV2scL | Setup Time of SDIx Data Input to SCKx Edge | 30  | —                  | —   | ns    |   |
| SP41               | Tsch2diL,<br>TscL2diL | Hold Time of SDIx Data Input to SCKx Edge  | 30  | —                  | —   | ns    |   |

- Note 1:** These parameters are characterized, but are not tested in manufacturing.  
**Note 2:** Data in “Typ” column is at 3.3V, +25°C unless otherwise stated.  
**Note 3:** The minimum clock period for SCKx is 100 ns. The clock generated in Master mode must not violate this specification.  
**Note 4:** Assumes 50 pF load on all SPIx pins.



# dsPIC33FJ16(GP/MC)101/102 AND dsPIC33FJ32(GP/MC)101/102/104

**FIGURE 26-14: SPIx MASTER MODE (FULL-DUPLEX, CKE = 0, CKP = x, SMP = 1) TIMING CHARACTERISTICS FOR dsPIC33FJ16(GP/MC)10X**



**TABLE 26-32: SPIx MASTER MODE (FULL-DUPLEX, CKE = 0, CKP = x, SMP = 1) TIMING REQUIREMENTS FOR dsPIC33FJ16(GP/MC)10X**

| AC CHARACTERISTICS |                       |  | Standard Operating Conditions: 2.4V to 3.6V<br>(unless otherwise stated)<br>Operating temperature -40°C ≤ TA ≤ +85°C for Industrial<br>-40°C ≤ TA ≤ +125°C for Extended |                    |     |       |   |
|--------------------|-----------------------|--|---|--------------------|-----|-------|---|
| Param No.          | Symbol                | Characteristic <sup>(1)</sup>              | Min   | Typ <sup>(2)</sup> | Max | Units | Conditions                                  |
| SP10               | TscP                  | Maximum SCKx Frequency                     | —   | —                  | 10  | MHz   | -40°C to +125°C and see <b>Note 3</b>       |
| SP20               | TscF                  | SCKx Output Fall Time                      | —   | —                  | —   | ns    | See Parameter <b>DO32</b> and <b>Note 4</b> |
| SP21               | TscR                  | SCKx Output Rise Time                      | —   | —                  | —   | ns    | See Parameter <b>DO31</b> and <b>Note 4</b> |
| SP30               | TdoF                  | SDOx Data Output Fall Time                 | —   | —                  | —   | ns    | See Parameter <b>DO32</b> and <b>Note 4</b> |
| SP31               | TdoR                  | SDOx Data Output Rise Time                 | —   | —                  | —   | ns    | See Parameter <b>DO31</b> and <b>Note 4</b> |
| SP35               | Tsch2doV,<br>TscL2doV | SDOx Data Output Valid after SCKx Edge     | —   | 6                  | 20  | ns    |   |
| SP36               | TdoV2sch,<br>TdoV2scL | SDOx Data Output Setup to First SCKx Edge  | 30  | —                  | —   | ns    |   |
| SP40               | TdiV2sch,<br>TdiV2scL | Setup Time of SDIx Data Input to SCKx Edge | 30  | —                  | —   | ns    |   |
| SP41               | Tsch2diL,<br>TscL2diL | Hold Time of SDIx Data Input to SCKx Edge  | 30  | —                  | —   | ns    |   |

**Note 1:** These parameters are characterized, but are not tested in manufacturing.

**Note 2:** Data in “Typ” column is at 3.3V, +25°C unless otherwise stated.

**Note 3:** The minimum clock period for SCKx is 100 ns. The clock generated in Master mode must not violate this specification.

**Note 4:** Assumes 50 pF load on all SPIx pins.

**FIGURE 26-15: SPIx SLAVE MODE (FULL-DUPLEX, CKE = 1, CKP = 0, SMP = 0) TIMING CHARACTERISTICS FOR dsPIC33FJ16(GP/MC)10X**



# dsPIC33FJ16(GP/MC)101/102 AND dsPIC33FJ32(GP/MC)101/102/104

**TABLE 26-33: SPIx SLAVE MODE (FULL-DUPLEX, CKE = 1, CKP = 0, SMP = 0) TIMING REQUIREMENTS FOR dsPIC33FJ16(GP/MC)10X**

| AC CHARACTERISTICS |                       |   | Standard Operating Conditions: 2.4V to 3.6V<br>(unless otherwise stated)<br>Operating temperature $-40^{\circ}\text{C} \leq T_A \leq +85^{\circ}\text{C}$ for Industrial<br>$-40^{\circ}\text{C} \leq T_A \leq +125^{\circ}\text{C}$ for Extended |                    |     |       |   |
|--------------------|-----------------------|---|---|--------------------|-----|-------|---|
| Param No.          | Symbol                | Characteristic <sup>(1)</sup>                                       | Min   | Typ <sup>(2)</sup> | Max | Units | Conditions                                  |
| SP70               | TscP                  | Maximum SCKx Input Frequency  | —   | —                  | 15  | MHz   | See <b>Note 3</b>                           |
| SP72               | TscF                  | SCKx Input Fall Time  | —   | —                  | —   | ns    | See Parameter <b>DO32</b> and <b>Note 4</b> |
| SP73               | TscR                  | SCKx Input Rise Time  | —   | —                  | —   | ns    | See Parameter <b>DO31</b> and <b>Note 4</b> |
| SP30               | TdoF                  | SDOx Data Output Fall Time  | —   | —                  | —   | ns    | See Parameter <b>DO32</b> and <b>Note 4</b> |
| SP31               | TdoR                  | SDOx Data Output Rise Time  | —   | —                  | —   | ns    | See Parameter <b>DO31</b> and <b>Note 4</b> |
| SP35               | Tsch2doV,<br>TscL2doV | SDOx Data Output Valid after SCKx Edge                              | —   | 6                  | 20  | ns    |   |
| SP36               | TdoV2scH,<br>TdoV2scL | SDOx Data Output Setup to First SCKx Edge                           | 30  | —                  | —   | ns    |   |
| SP40               | TdiV2scH,<br>TdiV2scL | Setup Time of SDIx Data Input to SCKx Edge                          | 30  | —                  | —   | ns    |   |
| SP41               | Tsch2diL,<br>TscL2diL | Hold Time of SDIx Data Input to SCKx Edge                           | 30  | —                  | —   | ns    |   |
| SP50               | TssL2scH,<br>TssL2scL | $\overline{\text{SSx}} \downarrow$ to SCKx $\uparrow$ or SCKx Input | 120   | —                  | —   | ns    |   |
| SP51               | TssH2doZ              | $\overline{\text{SSx}} \uparrow$ to SDOx Output High-Impedance      | 10  | —                  | 50  | ns    | See <b>Note 4</b>                           |
| SP52               | Tsch2ssH<br>TscL2ssH  | $\overline{\text{SSx}}$ after SCKx Edge                             | $1.5 T_{CY} + 40$   | —                  | —   | ns    | See <b>Note 4</b>                           |
| SP60               | TssL2doV              | SDOx Data Output Valid after $\overline{\text{SSx}}$ Edge           | —   | —                  | 50  | ns    |   |

**Note 1:** These parameters are characterized, but are not tested in manufacturing.

**2:** Data in “Typ” column is at 3.3V, +25°C unless otherwise stated.

**3:** The minimum clock period for SCKx is 66.7 ns. Therefore, the SCK clock generated by the master must not violate this specification.

**4:** Assumes 50 pF load on all SPIx pins.

**FIGURE 26-16: SPIx SLAVE MODE (FULL-DUPLEX, CKE = 1, CKP = 1, SMP = 0) TIMING CHARACTERISTICS FOR dsPIC33FJ16(GP/MC)10X**



# dsPIC33FJ16(GP/MC)101/102 AND dsPIC33FJ32(GP/MC)101/102/104

**TABLE 26-34: SPIx SLAVE MODE (FULL-DUPLEX, CKE = 1, CKP = 1, SMP = 0) TIMING REQUIREMENTS FOR dsPIC33FJ16(GP/MC)10X**

| AC CHARACTERISTICS |                       |  | Standard Operating Conditions: 2.4V to 3.6V<br>(unless otherwise stated)<br>Operating temperature -40°C ≤ TA ≤ +85°C for Industrial<br>-40°C ≤ TA ≤ +125°C for Extended |                    |     |       |   |
|--------------------|-----------------------|--|---|--------------------|-----|-------|---|
| Param No.          | Symbol                | Characteristic <sup>(1)</sup>                                | Min   | Typ <sup>(2)</sup> | Max | Units | Conditions                                  |
| SP70               | TscP                  | Maximum SCKx Input Frequency                                 | —   | —                  | 11  | MHz   | See <b>Note 3</b>                           |
| SP72               | TscF                  | SCKx Input Fall Time   | —   | —                  | —   | ns    | See Parameter <b>DO32</b> and <b>Note 4</b> |
| SP73               | TscR                  | SCKx Input Rise Time   | —   | —                  | —   | ns    | See Parameter <b>DO31</b> and <b>Note 4</b> |
| SP30               | TdoF                  | SDOx Data Output Fall Time                                   | —   | —                  | —   | ns    | See Parameter <b>DO32</b> and <b>Note 4</b> |
| SP31               | TdoR                  | SDOx Data Output Rise Time                                   | —   | —                  | —   | ns    | See Parameter <b>DO31</b> and <b>Note 4</b> |
| SP35               | Tsch2doV,<br>TscL2doV | SDOx Data Output Valid after SCKx Edge                       | —   | 6                  | 20  | ns    |   |
| SP36               | TdoV2scH,<br>TdoV2scL | SDOx Data Output Setup to First SCKx Edge                    | 30  | —                  | —   | ns    |   |
| SP40               | TdiV2scH,<br>TdiV2scL | Setup Time of SDIx Data Input to SCKx Edge                   | 30  | —                  | —   | ns    |   |
| SP41               | Tsch2diL,<br>TscL2diL | Hold Time of SDIx Data Input to SCKx Edge                    | 30  | —                  | —   | ns    |   |
| SP50               | TssL2scH,<br>TssL2scL | $\overline{SSx} \downarrow$ to SCKx $\uparrow$ or SCKx Input | 120   | —                  | —   | ns    |   |
| SP51               | TssH2doZ              | $\overline{SSx} \uparrow$ to SDOx Output High-Impedance      | 10  | —                  | 50  | ns    | See <b>Note 4</b>                           |
| SP52               | Tsch2ssH<br>TscL2ssH  | $\overline{SSx}$ after SCKx Edge                             | 1.5 T <sub>CY</sub> + 40  | —                  | —   | ns    | See <b>Note 4</b>                           |
| SP60               | TssL2doV              | SDOx Data Output Valid after $\overline{SSx}$ Edge           | —   | —                  | 50  | ns    |   |

**Note 1:** These parameters are characterized, but are not tested in manufacturing.

**Note 2:** Data in “Typ” column is at 3.3V, +25°C unless otherwise stated.

**Note 3:** The minimum clock period for SCKx is 91 ns. Therefore, the SCK clock generated by the Master must not violate this specification.

**Note 4:** Assumes 50 pF load on all SPIx pins.

**FIGURE 26-17: SPIx SLAVE MODE (FULL-DUPLEX, CKE = 0, CKP = 1, SMP = 0) TIMING CHARACTERISTICS FOR dsPIC33FJ16(GP/MC)10X**



# dsPIC33FJ16(GP/MC)101/102 AND dsPIC33FJ32(GP/MC)101/102/104

**TABLE 26-35: SPIx SLAVE MODE (FULL-DUPLEX, CKE = 0, CKP = 1, SMP = 0) TIMING REQUIREMENTS FOR dsPIC33FJ16(GP/MC)10X**

| AC CHARACTERISTICS |                       |  | Standard Operating Conditions: 2.4V to 3.6V<br>(unless otherwise stated)<br>Operating temperature -40°C ≤ TA ≤ +85°C for Industrial<br>-40°C ≤ TA ≤ +125°C for Extended |                    |     |       |   |
|--------------------|-----------------------|--|---|--------------------|-----|-------|---|
| Param No.          | Symbol                | Characteristic <sup>(1)</sup>                                | Min   | Typ <sup>(2)</sup> | Max | Units | Conditions                                  |
| SP70               | TscP                  | Maximum SCKx Input Frequency                                 | —   | —                  | 15  | MHz   | See <b>Note 3</b>                           |
| SP72               | TscF                  | SCKx Input Fall Time   | —   | —                  | —   | ns    | See Parameter <b>DO32</b> and <b>Note 4</b> |
| SP73               | TscR                  | SCKx Input Rise Time   | —   | —                  | —   | ns    | See Parameter <b>DO31</b> and <b>Note 4</b> |
| SP30               | TdoF                  | SDOx Data Output Fall Time                                   | —   | —                  | —   | ns    | See Parameter <b>DO32</b> and <b>Note 4</b> |
| SP31               | TdoR                  | SDOx Data Output Rise Time                                   | —   | —                  | —   | ns    | See Parameter <b>DO31</b> and <b>Note 4</b> |
| SP35               | Tsch2doV,<br>TscL2doV | SDOx Data Output Valid after SCKx Edge                       | —   | 6                  | 20  | ns    |   |
| SP36               | TdoV2scH,<br>TdoV2scL | SDOx Data Output Setup to First SCKx Edge                    | 30  | —                  | —   | ns    |   |
| SP40               | TdiV2scH,<br>TdiV2scL | Setup Time of SDIx Data Input to SCKx Edge                   | 30  | —                  | —   | ns    |   |
| SP41               | Tsch2diL,<br>TscL2diL | Hold Time of SDIx Data Input to SCKx Edge                    | 30  | —                  | —   | ns    |   |
| SP50               | TssL2scH,<br>TssL2scL | $\overline{SSx} \downarrow$ to SCKx $\uparrow$ or SCKx Input | 120   | —                  | —   | ns    |   |
| SP51               | TssH2doZ              | $\overline{SSx} \uparrow$ to SDOx Output High-Impedance      | 10  | —                  | 50  | ns    | See <b>Note 4</b>                           |
| SP52               | Tsch2ssH<br>TscL2ssH  | $\overline{SSx}$ after SCKx Edge                             | 1.5 TCY + 40  | —                  | —   | ns    | See <b>Note 4</b>                           |

**Note 1:** These parameters are characterized, but are not tested in manufacturing.

**Note 2:** Data in “Typ” column is at 3.3V, +25°C unless otherwise stated.

**Note 3:** The minimum clock period for SCKx is 66.7 ns. Therefore, the SCK clock generated by the Master must not violate this specification.

**Note 4:** Assumes 50 pF load on all SPIx pins.

**FIGURE 26-18: SPIx SLAVE MODE (FULL-DUPLEX, CKE = 0, CKP = 0, SMP = 0) TIMING CHARACTERISTICS FOR dsPIC33FJ16(GP/MC)10X**





# dsPIC33FJ16(GP/MC)101/102 AND dsPIC33FJ32(GP/MC)101/102/104

**TABLE 26-36: SPIx SLAVE MODE (FULL-DUPLEX, CKE = 0, CKP = 0, SMP = 0) TIMING REQUIREMENTS FOR dsPIC33FJ16(GP/MC)10X**

| AC CHARACTERISTICS |                       |  | Standard Operating Conditions: 2.4V to 3.6V<br>(unless otherwise stated)<br>Operating temperature $-40^{\circ}\text{C} \leq T_A \leq +85^{\circ}\text{C}$ for Industrial<br>$-40^{\circ}\text{C} \leq T_A \leq +125^{\circ}\text{C}$ for Extended |                    |     |       |   |
|--------------------|-----------------------|--|---|--------------------|-----|-------|---|
| Param No.          | Symbol                | Characteristic <sup>(1)</sup>  | Min   | Typ <sup>(2)</sup> | Max | Units | Conditions                                  |
| SP70               | TscP                  | Maximum SCKx Input Frequency   | —   | —                  | 11  | MHz   | See <b>Note 3</b>                           |
| SP72               | TscF                  | SCKx Input Fall Time   | —   | —                  | —   | ns    | See Parameter <b>DO32</b> and <b>Note 4</b> |
| SP73               | TscR                  | SCKx Input Rise Time   | —   | —                  | —   | ns    | See Parameter <b>DO31</b> and <b>Note 4</b> |
| SP30               | TdoF                  | SDOx Data Output Fall Time   | —   | —                  | —   | ns    | See Parameter <b>DO32</b> and <b>Note 4</b> |
| SP31               | TdoR                  | SDOx Data Output Rise Time   | —   | —                  | —   | ns    | See Parameter <b>DO31</b> and <b>Note 4</b> |
| SP35               | Tsch2doV,<br>TscL2doV | SDOx Data Output Valid after SCKx Edge                               | —   | 6                  | 20  | ns    |   |
| SP36               | TdoV2scH,<br>TdoV2scL | SDOx Data Output Setup to First SCKx Edge                            | 30  | —                  | —   | ns    |   |
| SP40               | TdiV2scH,<br>TdiV2scL | Setup Time of SDIx Data Input to SCKx Edge                           | 30  | —                  | —   | ns    |   |
| SP41               | Tsch2diL,<br>TscL2diL | Hold Time of SDIx Data Input to SCKx Edge                            | 30  | —                  | —   | ns    |   |
| SP50               | TssL2scH,<br>TssL2scL | $\overline{\text{SS}}_x \downarrow$ to SCKx $\uparrow$ or SCKx Input | 120   | —                  | —   | ns    |   |
| SP51               | TssH2doZ              | $\overline{\text{SS}}_x \uparrow$ to SDOx Output High-Impedance      | 10  | —                  | 50  | ns    | See <b>Note 4</b>                           |
| SP52               | Tsch2ssH<br>TscL2ssH  | $\overline{\text{SS}}_x$ after SCKx Edge                             | $1.5 T_{CY} + 40$   | —                  | —   | ns    | See <b>Note 4</b>                           |

**Note 1:** These parameters are characterized, but are not tested in manufacturing.

**2:** Data in “Typ” column is at 3.3V, +25°C unless otherwise stated.

**3:** The minimum clock period for SCKx is 91 ns. Therefore, the SCK clock generated by the Master must not violate this specification.

**4:** Assumes 50 pF load on all SPIx pins.

# dsPIC33FJ16(GP/MC)101/102 AND dsPIC33FJ32(GP/MC)101/102/104

**TABLE 26-37: SPIx MAXIMUM DATA/CLOCK RATE SUMMARY FOR dsPIC33FJ32(GP/MC)10X**

| AC CHARACTERISTICS |                                    |                                       | Standard Operating Conditions: 3.0V to 3.6V<br>(unless otherwise stated)<br>Operating temperature $-40^{\circ}\text{C} \leq T_A \leq +85^{\circ}\text{C}$ for Industrial<br>$-40^{\circ}\text{C} \leq T_A \leq +125^{\circ}\text{C}$ for Extended |     |     |     |
|--------------------|------------------------------------|---------------------------------------|---|-----|-----|-----|
| Maximum Data Rate  | Master Transmit Only (Half-Duplex) | Master Transmit/Receive (Full-Duplex) | Slave Transmit/Receive (Full-Duplex)  | CKE | CKP | SMP |
| 15 MHz             | Table 26-30                        | —                                     | —   | 0,1 | 0,1 | 0,1 |
| 9 MHz              | —                                  | Table 26-31                           | —   | 1   | 0,1 | 1   |
| 9 MHz              | —                                  | Table 26-32                           | —   | 0   | 0,1 | 1   |
| 15 MHz             | —                                  | —                                     | Table 26-33   | 1   | 0   | 0   |
| 11 Mhz             | —                                  | —                                     | Table 26-34   | 1   | 1   | 0   |
| 15 MHz             | —                                  | —                                     | Table 26-35   | 0   | 1   | 0   |
| 11 MHz             | —                                  | —                                     | Table 26-36   | 0   | 0   | 0   |

**FIGURE 26-19: SPIx MASTER MODE (HALF-DUPLEX, TRANSMIT ONLY, CKE = 0) TIMING CHARACTERISTICS FOR dsPIC33FJ32(GP/MC)10X**



**FIGURE 26-20: SPIx MASTER MODE (HALF-DUPLEX, TRANSMIT ONLY, CKE = 1) TIMING CHARACTERISTICS FOR dsPIC33FJ32(GP/MC)10X**



**TABLE 26-38: SPIx MASTER MODE (HALF-DUPLEX, TRANSMIT ONLY) TIMING REQUIREMENTS FOR dsPIC33FJ32(GP/MC)10X**

| AC CHARACTERISTICS |                       |   | Standard Operating Conditions: 3.0V to 3.6V<br>(unless otherwise stated)<br>Operating temperature -40°C ≤ TA ≤ +85°C for Industrial<br>-40°C ≤ TA ≤ +125°C for Extended |                    |     |       |   |
|--------------------|-----------------------|---|---|--------------------|-----|-------|---|
| Param No.          | Symbol                | Characteristic <sup>(1)</sup>             | Min   | Typ <sup>(2)</sup> | Max | Units | Conditions  |
| SP10               | TscP                  | Maximum SCKx Frequency                    | —   | —                  | 15  | MHz   | See <a href="#">Note 3</a>                                    |
| SP20               | TscF                  | SCKx Output Fall Time                     | —   | —                  | —   | ns    | See Parameter <a href="#">DO32</a> and <a href="#">Note 4</a> |
| SP21               | TscR                  | SCKx Output Rise Time                     | —   | —                  | —   | ns    | See Parameter <a href="#">DO31</a> and <a href="#">Note 4</a> |
| SP30               | TdoF                  | SDOx Data Output Fall Time                | —   | —                  | —   | ns    | See Parameter <a href="#">DO32</a> and <a href="#">Note 4</a> |
| SP31               | TdoR                  | SDOx Data Output Rise Time                | —   | —                  | —   | ns    | See Parameter <a href="#">DO31</a> and <a href="#">Note 4</a> |
| SP35               | Tsch2doV,<br>TscL2doV | SDOx Data Output Valid after SCKx Edge    | —   | 6                  | 20  | ns    |   |
| SP36               | TdiV2sch,<br>TdiV2scl | SDOx Data Output Setup to First SCKx Edge | 30  | —                  | —   | ns    |   |

**Note 1:** These parameters are characterized, but are not tested in manufacturing.

**2:** Data in “Typ” column is at 3.3V, +25°C unless otherwise stated.

**3:** The minimum clock period for SCKx is 66.7 ns. Therefore, the clock generated in Master mode must not violate this specification.

**4:** Assumes 50 pF load on all SPIx pins.

# dsPIC33FJ16(GP/MC)101/102 AND dsPIC33FJ32(GP/MC)101/102/104

**FIGURE 26-21: SPIx MASTER MODE (FULL-DUPLEX, CKE = 1, CKP = x, SMP = 1) TIMING CHARACTERISTICS FOR dsPIC33FJ32(GP/MC)10X**



**TABLE 26-39: SPIx MASTER MODE (FULL-DUPLEX, CKE = 1, CKP = x, SMP = 1) TIMING REQUIREMENTS FOR dsPIC33FJ32(GP/MC)10X**

| AC CHARACTERISTICS |                       |  | Standard Operating Conditions: 3.0V to 3.6V<br>(unless otherwise stated)<br>Operating temperature -40°C ≤ TA ≤ +85°C for Industrial<br>-40°C ≤ TA ≤ +125°C for Extended |                    |     |       |   |
|--------------------|-----------------------|--|---|--------------------|-----|-------|---|
| Param No.          | Symbol                | Characteristic <sup>(1)</sup>              | Min   | Typ <sup>(2)</sup> | Max | Units | Conditions  |
| SP10               | TscP                  | Maximum SCKx Frequency                     | —   | —                  | 9   | MHz   | See <a href="#">Note 3</a>                                    |
| SP20               | TscF                  | SCKx Output Fall Time                      | —   | —                  | —   | ns    | See Parameter <a href="#">DO32</a> and <a href="#">Note 4</a> |
| SP21               | TscR                  | SCKx Output Rise Time                      | —   | —                  | —   | ns    | See Parameter <a href="#">DO31</a> and <a href="#">Note 4</a> |
| SP30               | TdoF                  | SDOx Data Output Fall Time                 | —   | —                  | —   | ns    | See Parameter <a href="#">DO32</a> and <a href="#">Note 4</a> |
| SP31               | TdoR                  | SDOx Data Output Rise Time                 | —   | —                  | —   | ns    | See Parameter <a href="#">DO31</a> and <a href="#">Note 4</a> |
| SP35               | Tsch2doV,<br>TscL2doV | SDOx Data Output Valid after SCKx Edge     | —   | 6                  | 20  | ns    |   |
| SP36               | TdoV2sc,<br>TdoV2scL  | SDOx Data Output Setup to First SCKx Edge  | 30  | —                  | —   | ns    |   |
| SP40               | TdiV2sch,<br>TdiV2scL | Setup Time of SDIx Data Input to SCKx Edge | 30  | —                  | —   | ns    |   |
| SP41               | Tsch2diL,<br>TscL2diL | Hold Time of SDIx Data Input to SCKx Edge  | 30  | —                  | —   | ns    |   |

- Note 1:** These parameters are characterized, but are not tested in manufacturing.  
**Note 2:** Data in “Typ” column is at 3.3V, +25°C unless otherwise stated.  
**Note 3:** The minimum clock period for SCKx is 111 ns. The clock generated in Master mode must not violate this specification.  
**Note 4:** Assumes 50 pF load on all SPIx pins.

# dsPIC33FJ16(GP/MC)101/102 AND dsPIC33FJ32(GP/MC)101/102/104

**FIGURE 26-22: SPIx MASTER MODE (FULL-DUPLEX, CKE = 0, CKP = x, SMP = 1) TIMING CHARACTERISTICS FOR dsPIC33FJ32(GP/MC)10X**



**TABLE 26-40: SPIx MASTER MODE (FULL-DUPLEX, CKE = 0, CKP = x, SMP = 1) TIMING REQUIREMENTS FOR dsPIC33FJ32(GP/MC)10X**

| AC CHARACTERISTICS |                       |  | Standard Operating Conditions: 3.0V to 3.6V<br>(unless otherwise stated)<br>Operating temperature -40°C ≤ TA ≤ +85°C for Industrial<br>-40°C ≤ TA ≤ +125°C for Extended |                    |     |       |                                |
|--------------------|-----------------------|--|---|--------------------|-----|-------|--------------------------------|
| Param No.          | Symbol                | Characteristic <sup>(1)</sup>              | Min   | Typ <sup>(2)</sup> | Max | Units | Conditions                     |
| SP10               | TscP                  | Maximum SCKx Frequency                     | —   | —                  | 9   | MHz   | -40°C to +125°C and See Note 3 |
| SP20               | TscF                  | SCKx Output Fall Time                      | —   | —                  | —   | ns    | See Parameter DO32 and Note 4  |
| SP21               | TscR                  | SCKx Output Rise Time                      | —   | —                  | —   | ns    | See Parameter DO31 and Note 4  |
| SP30               | TdoF                  | SDOx Data Output Fall Time                 | —   | —                  | —   | ns    | See Parameter DO32 and Note 4  |
| SP31               | TdoR                  | SDOx Data Output Rise Time                 | —   | —                  | —   | ns    | See Parameter DO31 and Note 4  |
| SP35               | Tsch2doV,<br>TscL2doV | SDOx Data Output Valid after SCKx Edge     | —   | 6                  | 20  | ns    |                                |
| SP36               | TdoV2scH,<br>TdoV2scL | SDOx Data Output Setup to First SCKx Edge  | 30  | —                  | —   | ns    |                                |
| SP40               | TdiV2scH,<br>TdiV2scL | Setup Time of SDIx Data Input to SCKx Edge | 30  | —                  | —   | ns    |                                |
| SP41               | Tsch2diL,<br>TscL2diL | Hold Time of SDIx Data Input to SCKx Edge  | 30  | —                  | —   | ns    |                                |

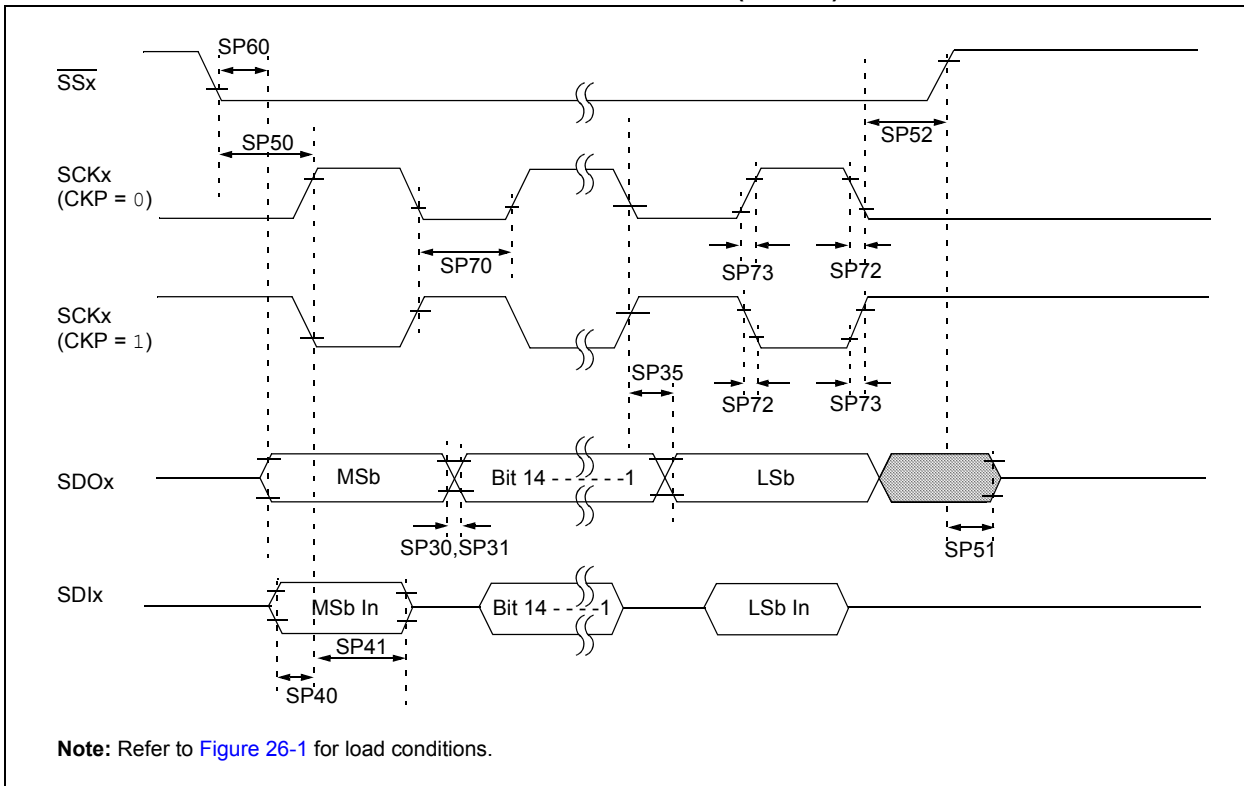
**Note 1:** These parameters are characterized, but are not tested in manufacturing.

**Note 2:** Data in “Typ” column is at 3.3V, +25°C unless otherwise stated.

**Note 3:** The minimum clock period for SCKx is 111 ns. The clock generated in Master mode must not violate this specification.

**Note 4:** Assumes 50 pF load on all SPIx pins.

**FIGURE 26-23: SPIx SLAVE MODE (FULL-DUPLEX, CKE = 1, CKP = 0, SMP = 0) TIMING CHARACTERISTICS FOR dsPIC33FJ32(GP/MC)10X**



# dsPIC33FJ16(GP/MC)101/102 AND dsPIC33FJ32(GP/MC)101/102/104

**TABLE 26-41: SPIx SLAVE MODE (FULL-DUPLEX, CKE = 1, CKP = 0, SMP = 0) TIMING REQUIREMENTS FOR dsPIC33FJ32(GP/MC)10X**

| AC CHARACTERISTICS |                       |  | Standard Operating Conditions: 3.0V to 3.6V<br>(unless otherwise stated)<br>Operating temperature -40°C ≤ TA ≤ +85°C for Industrial<br>-40°C ≤ TA ≤ +125°C for Extended |                    |     |       |   |
|--------------------|-----------------------|--|---|--------------------|-----|-------|---|
| Param No.          | Symbol                | Characteristic <sup>(1)</sup>                                | Min   | Typ <sup>(2)</sup> | Max | Units | Conditions                                  |
| SP70               | TscP                  | Maximum SCKx Input Frequency                                 | —   | —                  | 15  | MHz   | See <b>Note 3</b>                           |
| SP72               | TscF                  | SCKx Input Fall Time   | —   | —                  | —   | ns    | See Parameter <b>DO32</b> and <b>Note 4</b> |
| SP73               | TscR                  | SCKx Input Rise Time   | —   | —                  | —   | ns    | See Parameter <b>DO31</b> and <b>Note 4</b> |
| SP30               | TdoF                  | SDOx Data Output Fall Time                                   | —   | —                  | —   | ns    | See Parameter <b>DO32</b> and <b>Note 4</b> |
| SP31               | TdoR                  | SDOx Data Output Rise Time                                   | —   | —                  | —   | ns    | See Parameter <b>DO31</b> and <b>Note 4</b> |
| SP35               | Tsch2doV,<br>TscL2doV | SDOx Data Output Valid after SCKx Edge                       | —   | 6                  | 20  | ns    |   |
| SP36               | TdoV2scH,<br>TdoV2scL | SDOx Data Output Setup to First SCKx Edge                    | 30  | —                  | —   | ns    |   |
| SP40               | TdiV2scH,<br>TdiV2scL | Setup Time of SDIx Data Input to SCKx Edge                   | 30  | —                  | —   | ns    |   |
| SP41               | Tsch2diL,<br>TscL2diL | Hold Time of SDIx Data Input to SCKx Edge                    | 30  | —                  | —   | ns    |   |
| SP50               | TssL2scH,<br>TssL2scL | $\overline{SSx} \downarrow$ to SCKx $\uparrow$ or SCKx Input | 120   | —                  | —   | ns    |   |
| SP51               | TssH2doZ              | $\overline{SSx} \uparrow$ to SDOx Output High-Impedance      | 10  | —                  | 50  | ns    | See <b>Note 4</b>                           |
| SP52               | Tsch2ssH<br>TscL2ssH  | $\overline{SSx}$ after SCKx Edge                             | 1.5 Tcy + 40  | —                  | —   | ns    | See <b>Note 4</b>                           |
| SP60               | Tssl2doV              | SDOx Data Output Valid after $\overline{SSx}$ Edge           | —   | —                  | 50  | ns    |   |

- Note 1:** These parameters are characterized, but are not tested in manufacturing.  
**Note 2:** Data in “Typ” column is at 3.3V, +25°C unless otherwise stated.  
**Note 3:** The minimum clock period for SCKx is 66.7 ns. Therefore, the SCK clock generated by the Master must not violate this specification.  
**Note 4:** Assumes 50 pF load on all SPIx pins.

**FIGURE 26-24: SPIx SLAVE MODE (FULL-DUPLEX, CKE = 1, CKP = 1, SMP = 0) TIMING CHARACTERISTICS FOR dsPIC33FJ32(GP/MC)10X**





# dsPIC33FJ16(GP/MC)101/102 AND dsPIC33FJ32(GP/MC)101/102/104

**TABLE 26-42: SPIx SLAVE MODE (FULL-DUPLEX, CKE = 1, CKP = 1, SMP = 0) TIMING REQUIREMENTS FOR dsPIC33FJ32(GP/MC)10X**

| AC CHARACTERISTICS |                       |  | Standard Operating Conditions: 3.0V to 3.6V<br>(unless otherwise stated)<br>Operating temperature -40°C ≤ TA ≤ +85°C for Industrial<br>-40°C ≤ TA ≤ +125°C for Extended |                    |     |       |   |
|--------------------|-----------------------|--|---|--------------------|-----|-------|---|
| Param No.          | Symbol                | Characteristic <sup>(1)</sup>                                | Min   | Typ <sup>(2)</sup> | Max | Units | Conditions                                  |
| SP70               | TscP                  | Maximum SCKx Input Frequency                                 | —   | —                  | 11  | MHz   | See <b>Note 3</b>                           |
| SP72               | TscF                  | SCKx Input Fall Time   | —   | —                  | —   | ns    | See Parameter <b>DO32</b> and <b>Note 4</b> |
| SP73               | TscR                  | SCKx Input Rise Time   | —   | —                  | —   | ns    | See Parameter <b>DO31</b> and <b>Note 4</b> |
| SP30               | TdoF                  | SDOx Data Output Fall Time                                   | —   | —                  | —   | ns    | See Parameter <b>DO32</b> and <b>Note 4</b> |
| SP31               | TdoR                  | SDOx Data Output Rise Time                                   | —   | —                  | —   | ns    | See Parameter <b>DO31</b> and <b>Note 4</b> |
| SP35               | Tsch2doV,<br>TscL2doV | SDOx Data Output Valid after SCKx Edge                       | —   | 6                  | 20  | ns    |   |
| SP36               | TdoV2scH,<br>TdoV2scL | SDOx Data Output Setup to First SCKx Edge                    | 30  | —                  | —   | ns    |   |
| SP40               | TdiV2scH,<br>TdiV2scL | Setup Time of SDIx Data Input to SCKx Edge                   | 30  | —                  | —   | ns    |   |
| SP41               | Tsch2diL,<br>TscL2diL | Hold Time of SDIx Data Input to SCKx Edge                    | 30  | —                  | —   | ns    |   |
| SP50               | TssL2scH,<br>TssL2scL | $\overline{SSx} \downarrow$ to SCKx $\uparrow$ or SCKx Input | 120   | —                  | —   | ns    |   |
| SP51               | TssH2doZ              | $\overline{SSx} \uparrow$ to SDOx Output High-Impedance      | 10  | —                  | 50  | ns    | See <b>Note 4</b>                           |
| SP52               | Tsch2ssH<br>TscL2ssH  | $\overline{SSx}$ after SCKx Edge                             | 1.5 T <sub>CY</sub> + 40  | —                  | —   | ns    | See <b>Note 4</b>                           |
| SP60               | TssL2doV              | SDOx Data Output Valid after $\overline{SSx}$ Edge           | —   | —                  | 50  | ns    |   |

**Note 1:** These parameters are characterized, but are not tested in manufacturing.

**2:** Data in “Typ” column is at 3.3V, +25°C unless otherwise stated.

**3:** The minimum clock period for SCKx is 91 ns. Therefore, the SCK clock generated by the master must not violate this specification.

**4:** Assumes 50 pF load on all SPIx pins.

# dsPIC33FJ16(GP/MC)101/102 AND dsPIC33FJ32(GP/MC)101/102/104

**FIGURE 26-25: SPIx SLAVE MODE (FULL-DUPLEX, CKE = 0, CKP = 1, SMP = 0) TIMING CHARACTERISTICS FOR dsPIC33FJ32(GP/MC)10X**



# dsPIC33FJ16(GP/MC)101/102 AND dsPIC33FJ32(GP/MC)101/102/104

**TABLE 26-43: SPIx SLAVE MODE (FULL-DUPLEX, CKE = 0, CKP = 1, SMP = 0) TIMING REQUIREMENTS FOR dsPIC33FJ32(GP/MC)10X**

| AC CHARACTERISTICS |                       |  | Standard Operating Conditions: 3.0V to 3.6V<br>(unless otherwise stated)<br>Operating temperature -40°C ≤ TA ≤ +85°C for Industrial<br>-40°C ≤ TA ≤ +125°C for Extended |                    |     |       |   |
|--------------------|-----------------------|--|---|--------------------|-----|-------|---|
| Param No.          | Symbol                | Characteristic <sup>(1)</sup>                                | Min   | Typ <sup>(2)</sup> | Max | Units | Conditions                                  |
| SP70               | TscP                  | Maximum SCKx Input Frequency                                 | —   | —                  | 15  | MHz   | See <b>Note 3</b>                           |
| SP72               | TscF                  | SCKx Input Fall Time   | —   | —                  | —   | ns    | See Parameter <b>DO32</b> and <b>Note 4</b> |
| SP73               | TscR                  | SCKx Input Rise Time   | —   | —                  | —w  | ns    | See Parameter <b>DO31</b> and <b>Note 4</b> |
| SP30               | TdoF                  | SDOx Data Output Fall Time                                   | —   | —                  | —   | ns    | See Parameter <b>DO32</b> and <b>Note 4</b> |
| SP31               | TdoR                  | SDOx Data Output Rise Time                                   | —   | —                  | —   | ns    | See Parameter <b>DO31</b> and <b>Note 4</b> |
| SP35               | Tsch2doV,<br>TscL2doV | SDOx Data Output Valid after SCKx Edge                       | —   | 6                  | 20  | ns    |   |
| SP36               | TdoV2scH,<br>TdoV2scL | SDOx Data Output Setup to First SCKx Edge                    | 30  | —                  | —   | ns    |   |
| SP40               | TdiV2scH,<br>TdiV2scL | Setup Time of SDIx Data Input to SCKx Edge                   | 30  | —                  | —   | ns    |   |
| SP41               | Tsch2diL,<br>TscL2diL | Hold Time of SDIx Data Input to SCKx Edge                    | 30  | —                  | —   | ns    |   |
| SP50               | TssL2scH,<br>TssL2scL | $\overline{SSx} \downarrow$ to SCKx $\uparrow$ or SCKx Input | 120   | —                  | —   | ns    |   |
| SP51               | TssH2doZ              | $\overline{SSx} \uparrow$ to SDOx Output High-Impedance      | 10  | —                  | 50  | ns    | See <b>Note 4</b>                           |
| SP52               | Tsch2ssH<br>TscL2ssH  | $\overline{SSx}$ after SCKx Edge                             | 1.5 TCY + 40  | —                  | —   | ns    | See <b>Note 4</b>                           |

- Note 1:** These parameters are characterized, but are not tested in manufacturing.  
**Note 2:** Data in “Typ” column is at 3.3V, +25°C unless otherwise stated.  
**Note 3:** The minimum clock period for SCKx is 66.7 ns. Therefore, the SCK clock generated by the Master must not violate this specification.  
**Note 4:** Assumes 50 pF load on all SPIx pins.

**FIGURE 26-26: SPIx SLAVE MODE (FULL-DUPLEX, CKE = 0, CKP = 0, SMP = 0) TIMING CHARACTERISTICS FOR dsPIC33FJ32(GP/MC)10X**



# dsPIC33FJ16(GP/MC)101/102 AND dsPIC33FJ32(GP/MC)101/102/104

**TABLE 26-44: SPIx SLAVE MODE (FULL-DUPLEX, CKE = 0, CKP = 0, SMP = 0) TIMING REQUIREMENTS FOR dsPIC33FJ32(GP/MC)10X**

| AC CHARACTERISTICS |                       |  | Standard Operating Conditions: 3.0V to 3.6V<br>(unless otherwise stated)<br>Operating temperature -40°C ≤ TA ≤ +85°C for Industrial<br>-40°C ≤ TA ≤ +125°C for Extended |                    |     |       |   |
|--------------------|-----------------------|--|---|--------------------|-----|-------|---|
| Param No.          | Symbol                | Characteristic <sup>(1)</sup>                                | Min   | Typ <sup>(2)</sup> | Max | Units | Conditions                                  |
| SP70               | TscP                  | Maximum SCKx Input Frequency                                 | —   | —                  | 11  | MHz   | See <b>Note 3</b>                           |
| SP72               | TscF                  | SCKx Input Fall Time   | —   | —                  | —   | ns    | See Parameter <b>DO32</b> and <b>Note 4</b> |
| SP73               | TscR                  | SCKx Input Rise Time   | —   | —                  | —   | ns    | See Parameter <b>DO31</b> and <b>Note 4</b> |
| SP30               | TdoF                  | SDOx Data Output Fall Time                                   | —   | —                  | —   | ns    | See Parameter <b>DO32</b> and <b>Note 4</b> |
| SP31               | TdoR                  | SDOx Data Output Rise Time                                   | —   | —                  | —   | ns    | See Parameter <b>DO31</b> and <b>Note 4</b> |
| SP35               | Tsch2doV,<br>TscL2doV | SDOx Data Output Valid after SCKx Edge                       | —   | 6                  | 20  | ns    |   |
| SP36               | TdoV2scH,<br>TdoV2scL | SDOx Data Output Setup to First SCKx Edge                    | 30  | —                  | —   | ns    |   |
| SP40               | TdiV2scH,<br>TdiV2scL | Setup Time of SDIx Data Input to SCKx Edge                   | 30  | —                  | —   | ns    |   |
| SP41               | Tsch2diL,<br>TscL2diL | Hold Time of SDIx Data Input to SCKx Edge                    | 30  | —                  | —   | ns    |   |
| SP50               | TssL2scH,<br>TssL2scL | $\overline{SSx} \downarrow$ to SCKx $\uparrow$ or SCKx Input | 120   | —                  | —   | ns    |   |
| SP51               | TssH2doZ              | $\overline{SSx} \uparrow$ to SDOx Output High-Impedance      | 10  | —                  | 50  | ns    | See <b>Note 4</b>                           |
| SP52               | Tsch2ssH<br>TscL2ssH  | $\overline{SSx}$ after SCKx Edge                             | 1.5 T <sub>CY</sub> + 40  | —                  | —   | ns    | See <b>Note 4</b>                           |

- Note 1:** These parameters are characterized, but are not tested in manufacturing.
- 2:** Data in “Typ” column is at 3.3V, +25°C unless otherwise stated.
- 3:** The minimum clock period for SCKx is 91 ns. Therefore, the SCK clock generated by the Master must not violate this specification.
- 4:** Assumes 50 pF load on all SPIx pins.

**FIGURE 26-27: I2Cx BUS START/STOP BITS TIMING CHARACTERISTICS (MASTER MODE)**



**FIGURE 26-28: I2Cx BUS DATA TIMING CHARACTERISTICS (MASTER MODE)**



# dsPIC33FJ16(GP/MC)101/102 AND dsPIC33FJ32(GP/MC)101/102/104

**TABLE 26-45: I2Cx BUS DATA TIMING REQUIREMENTS (MASTER MODE)**

| AC CHARACTERISTICS |         |                               |                           | Standard Operating Conditions: 3.0V to 3.6V<br>(unless otherwise stated)<br>Operating temperature $-40^{\circ}\text{C} \leq T_A \leq +85^{\circ}\text{C}$ for Industrial<br>$-40^{\circ}\text{C} \leq T_A \leq +125^{\circ}\text{C}$ for Extended |      |               |   |
|--------------------|---------|-------------------------------|---------------------------|---|------|---------------|---|
| Param No.          | Symbol  | Characteristic                |                           | Min <sup>(1)</sup>  | Max  | Units         | Conditions  |
| IM10               | TLO:SCL | Clock Low Time                | 100 kHz mode              | $T_{CY}/2$ (BRG + 1)  | —    | $\mu\text{s}$ |   |
|                    |         |                               | 400 kHz mode              | $T_{CY}/2$ (BRG + 1)  | —    | $\mu\text{s}$ |   |
|                    |         |                               | 1 MHz mode <sup>(2)</sup> | $T_{CY}/2$ (BRG + 1)  | —    | $\mu\text{s}$ |   |
| IM11               | THI:SCL | Clock High Time               | 100 kHz mode              | $T_{CY}/2$ (BRG + 1)  | —    | $\mu\text{s}$ |   |
|                    |         |                               | 400 kHz mode              | $T_{CY}/2$ (BRG + 1)  | —    | $\mu\text{s}$ |   |
|                    |         |                               | 1 MHz mode <sup>(2)</sup> | $T_{CY}/2$ (BRG + 1)  | —    | $\mu\text{s}$ |   |
| IM20               | TF:SCL  | SDAx and SCLx<br>Fall Time    | 100 kHz mode              | —   | 300  | ns            | Cb is specified to be from 10 to 400 pF                       |
|                    |         |                               | 400 kHz mode              | $20 + 0.1 C_B$  | 300  | ns            |   |
|                    |         |                               | 1 MHz mode <sup>(2)</sup> | —   | 100  | ns            |   |
| IM21               | TR:SCL  | SDAx and SCLx<br>Rise Time    | 100 kHz mode              | —   | 1000 | ns            | Cb is specified to be from 10 to 400 pF                       |
|                    |         |                               | 400 kHz mode              | $20 + 0.1 C_B$  | 300  | ns            |   |
|                    |         |                               | 1 MHz mode <sup>(2)</sup> | —   | 300  | ns            |   |
| IM25               | TSU:DAT | Data Input<br>Setup Time      | 100 kHz mode              | 250   | —    | ns            |   |
|                    |         |                               | 400 kHz mode              | 100   | —    | ns            |   |
|                    |         |                               | 1 MHz mode <sup>(2)</sup> | 40  | —    | ns            |   |
| IM26               | THD:DAT | Data Input<br>Hold Time       | 100 kHz mode              | 0   | —    | $\mu\text{s}$ |   |
|                    |         |                               | 400 kHz mode              | 0   | 0.9  | $\mu\text{s}$ |   |
|                    |         |                               | 1 MHz mode <sup>(2)</sup> | 0.2   | —    | $\mu\text{s}$ |   |
| IM30               | TSU:STA | Start Condition<br>Setup Time | 100 kHz mode              | $T_{CY}/2$ (BRG + 1)  | —    | $\mu\text{s}$ | Only relevant for Repeated Start condition                    |
|                    |         |                               | 400 kHz mode              | $T_{CY}/2$ (BRG + 1)  | —    | $\mu\text{s}$ |   |
|                    |         |                               | 1 MHz mode <sup>(2)</sup> | $T_{CY}/2$ (BRG + 1)  | —    | $\mu\text{s}$ |   |
| IM31               | THD:STA | Start Condition<br>Hold Time  | 100 kHz mode              | $T_{CY}/2$ (BRG + 1)  | —    | $\mu\text{s}$ | After this period the first clock pulse is generated          |
|                    |         |                               | 400 kHz mode              | $T_{CY}/2$ (BRG + 1)  | —    | $\mu\text{s}$ |   |
|                    |         |                               | 1 MHz mode <sup>(2)</sup> | $T_{CY}/2$ (BRG + 1)  | —    | $\mu\text{s}$ |   |
| IM33               | TSU:STO | Stop Condition<br>Setup Time  | 100 kHz mode              | $T_{CY}/2$ (BRG + 1)  | —    | $\mu\text{s}$ |   |
|                    |         |                               | 400 kHz mode              | $T_{CY}/2$ (BRG + 1)  | —    | $\mu\text{s}$ |   |
|                    |         |                               | 1 MHz mode <sup>(2)</sup> | $T_{CY}/2$ (BRG + 1)  | —    | $\mu\text{s}$ |   |
| IM34               | THD:STO | Stop Condition<br>Hold Time   | 100 kHz mode              | $T_{CY}/2$ (BRG + 1)  | —    | ns            |   |
|                    |         |                               | 400 kHz mode              | $T_{CY}/2$ (BRG + 1)  | —    | ns            |   |
|                    |         |                               | 1 MHz mode <sup>(2)</sup> | $T_{CY}/2$ (BRG + 1)  | —    | ns            |   |
| IM40               | TAA:SCL | Output Valid<br>from Clock    | 100 kHz mode              | —   | 3500 | ns            |   |
|                    |         |                               | 400 kHz mode              | —   | 1000 | ns            |   |
|                    |         |                               | 1 MHz mode <sup>(2)</sup> | —   | 400  | ns            |   |
| IM45               | TBF:SDA | Bus Free Time                 | 100 kHz mode              | 4.7   | —    | $\mu\text{s}$ | Time the bus must be free before a new transmission can start |
|                    |         |                               | 400 kHz mode              | 1.3   | —    | $\mu\text{s}$ |   |
|                    |         |                               | 1 MHz mode <sup>(2)</sup> | 0.5   | —    | $\mu\text{s}$ |   |
| IM50               | CB      | Bus Capacitive Loading        | —                         | 400   | pF   |               |   |
| IM51               | TPGD    | Pulse Gobbler Delay           | 65                        | 390   | ns   | See Note 3    |   |

**Note 1:** BRG is the value of the I<sup>2</sup>C™ Baud Rate Generator. Refer to Section 19. “Inter-Integrated Circuit (I<sup>2</sup>C™)” (DS70195) in the “dsPIC33F/PIC24H Family Reference Manual”. Please see the Microchip web site for the latest “dsPIC33F/PIC24H Family Reference Manual” sections.

**2:** Maximum pin capacitance = 10 pF for all I2Cx pins (for 1 MHz mode only).

**3:** Typical value for this parameter is 130 ns.

**FIGURE 26-29: I2Cx BUS START/STOP BITS TIMING CHARACTERISTICS (SLAVE MODE)**



**FIGURE 26-30: I2Cx BUS DATA TIMING CHARACTERISTICS (SLAVE MODE)**





# dsPIC33FJ16(GP/MC)101/102 AND dsPIC33FJ32(GP/MC)101/102/104

**TABLE 26-46: I2Cx BUS DATA TIMING REQUIREMENTS (SLAVE MODE)**

| AC CHARACTERISTICS |         |                            |                           | Standard Operating Conditions: 3.0V to 3.6V<br>(unless otherwise stated)<br>Operating temperature $-40^{\circ}\text{C} \leq T_A \leq +85^{\circ}\text{C}$ for Industrial<br>$-40^{\circ}\text{C} \leq T_A \leq +125^{\circ}\text{C}$ for Extended |      |               |   |
|--------------------|---------|----------------------------|---------------------------|---|------|---------------|---|
| Param.             | Symbol  | Characteristic             |                           | Min   | Max  | Units         | Conditions  |
| IS10               | TLO:SCL | Clock Low Time             | 100 kHz mode              | 4.7   | —    | $\mu\text{s}$ | Device must operate at a minimum of 1.5 MHz                   |
|                    |         |                            | 400 kHz mode              | 1.3   | —    | $\mu\text{s}$ | Device must operate at a minimum of 10 MHz                    |
|                    |         |                            | 1 MHz mode <sup>(1)</sup> | 0.5   | —    | $\mu\text{s}$ |   |
| IS11               | THI:SCL | Clock High Time            | 100 kHz mode              | 4.0   | —    | $\mu\text{s}$ | Device must operate at a minimum of 1.5 MHz                   |
|                    |         |                            | 400 kHz mode              | 0.6   | —    | $\mu\text{s}$ | Device must operate at a minimum of 10 MHz                    |
|                    |         |                            | 1 MHz mode <sup>(1)</sup> | 0.5   | —    | $\mu\text{s}$ |   |
| IS20               | TF:SCL  | SDAx and SCLx Fall Time    | 100 kHz mode              | —   | 300  | ns            | CB is specified to be from 10 to 400 pF                       |
|                    |         |                            | 400 kHz mode              | $20 + 0.1 C_B$  | 300  | ns            |   |
|                    |         |                            | 1 MHz mode <sup>(1)</sup> | —   | 100  | ns            |   |
| IS21               | Tr:SCL  | SDAx and SCLx Rise Time    | 100 kHz mode              | —   | 1000 | ns            | CB is specified to be from 10 to 400 pF                       |
|                    |         |                            | 400 kHz mode              | $20 + 0.1 C_B$  | 300  | ns            |   |
|                    |         |                            | 1 MHz mode <sup>(1)</sup> | —   | 300  | ns            |   |
| IS25               | TSU:DAT | Data Input Setup Time      | 100 kHz mode              | 250   | —    | ns            |   |
|                    |         |                            | 400 kHz mode              | 100   | —    | ns            |   |
|                    |         |                            | 1 MHz mode <sup>(1)</sup> | 100   | —    | ns            |   |
| IS26               | THD:DAT | Data Input Hold Time       | 100 kHz mode              | 0   | —    | $\mu\text{s}$ |   |
|                    |         |                            | 400 kHz mode              | 0   | 0.9  | $\mu\text{s}$ |   |
|                    |         |                            | 1 MHz mode <sup>(1)</sup> | 0   | 0.3  | $\mu\text{s}$ |   |
| IS30               | TSU:STA | Start Condition Setup Time | 100 kHz mode              | 4.7   | —    | $\mu\text{s}$ | Only relevant for Repeated Start condition                    |
|                    |         |                            | 400 kHz mode              | 0.6   | —    | $\mu\text{s}$ |   |
|                    |         |                            | 1 MHz mode <sup>(1)</sup> | 0.25  | —    | $\mu\text{s}$ |   |
| IS31               | THD:STA | Start Condition Hold Time  | 100 kHz mode              | 4.0   | —    | $\mu\text{s}$ | After this period, the first clock pulse is generated         |
|                    |         |                            | 400 kHz mode              | 0.6   | —    | $\mu\text{s}$ |   |
|                    |         |                            | 1 MHz mode <sup>(1)</sup> | 0.25  | —    | $\mu\text{s}$ |   |
| IS33               | TSU:STO | Stop Condition Setup Time  | 100 kHz mode              | 4.7   | —    | $\mu\text{s}$ |   |
|                    |         |                            | 400 kHz mode              | 0.6   | —    | $\mu\text{s}$ |   |
|                    |         |                            | 1 MHz mode <sup>(1)</sup> | 0.6   | —    | $\mu\text{s}$ |   |
| IS34               | THD:STO | Stop Condition Hold Time   | 100 kHz mode              | 4000  | —    | ns            |   |
|                    |         |                            | 400 kHz mode              | 600   | —    | ns            |   |
|                    |         |                            | 1 MHz mode <sup>(1)</sup> | 250   | —    | ns            |   |
| IS40               | TAA:SCL | Output Valid from Clock    | 100 kHz mode              | 0   | 3500 | ns            |   |
|                    |         |                            | 400 kHz mode              | 0   | 1000 | ns            |   |
|                    |         |                            | 1 MHz mode <sup>(1)</sup> | 0   | 350  | ns            |   |
| IS45               | TBF:SDA | Bus Free Time              | 100 kHz mode              | 4.7   | —    | $\mu\text{s}$ | Time the bus must be free before a new transmission can start |
|                    |         |                            | 400 kHz mode              | 1.3   | —    | $\mu\text{s}$ |   |
|                    |         |                            | 1 MHz mode <sup>(1)</sup> | 0.5   | —    | $\mu\text{s}$ |   |
| IS50               | CB      | Bus Capacitive Loading     |                           | —   | 400  | pF            |   |

**Note 1:** Maximum pin capacitance = 10 pF for all I2Cx pins (for 1 MHz mode only).

# dsPIC33FJ16(GP/MC)101/102 AND dsPIC33FJ32(GP/MC)101/102/104

**TABLE 26-47: ADC MODULE SPECIFICATIONS**

| AC CHARACTERISTICS   |        |   | Standard Operating Conditions: 3.0V to 3.6V <sup>(6)</sup><br>(unless otherwise stated)<br>Operating temperature -40°C ≤ TA ≤ +85°C for Industrial<br>-40°C ≤ TA ≤ +125°C for Extended |     |                            |       |  |
|----------------------|--------|---|--|-----|----------------------------|-------|--|
| Param No.            | Symbol | Characteristic  | Min.   | Typ | Max.                       | Units | Conditions   |
| <b>Device Supply</b> |        |   |  |     |                            |       |  |
| AD01                 | AVDD   | Module VDD Supply <sup>(2,4)</sup>                            | Greater of VDD – 0.3 or 2.9  | —   | Lesser of VDD + 0.3 or 3.6 | V     |  |
| AD02                 | AVSS   | Module VSS Supply <sup>(2,5)</sup>                            | VSS – 0.3  | —   | VSS + 0.3                  | V     |  |
| AD09                 | IAD    | Operating Current   | —  | 7.0 | 9.0                        | mA    | See <b>Note 1</b>  |
| <b>Analog Input</b>  |        |   |  |     |                            |       |  |
| AD12                 | VINH   | Input Voltage Range VINH <sup>(2)</sup>                       | VINL   | —   | AVDD                       | V     | This voltage reflects S&H Channels 0, 1, 2 and 3 (CH0-CH3), positive input |
| AD13                 | VINL   | Input Voltage Range VINL <sup>(2)</sup>                       | AVSS   | —   | AVSS + 1V                  | V     | This voltage reflects S&H Channels 0, 1, 2 and 3 (CH0-CH3), negative input |
| AD17                 | RIN    | Recommended Impedance of Analog Voltage Source <sup>(3)</sup> | —  | —   | 200                        | Ω     |  |

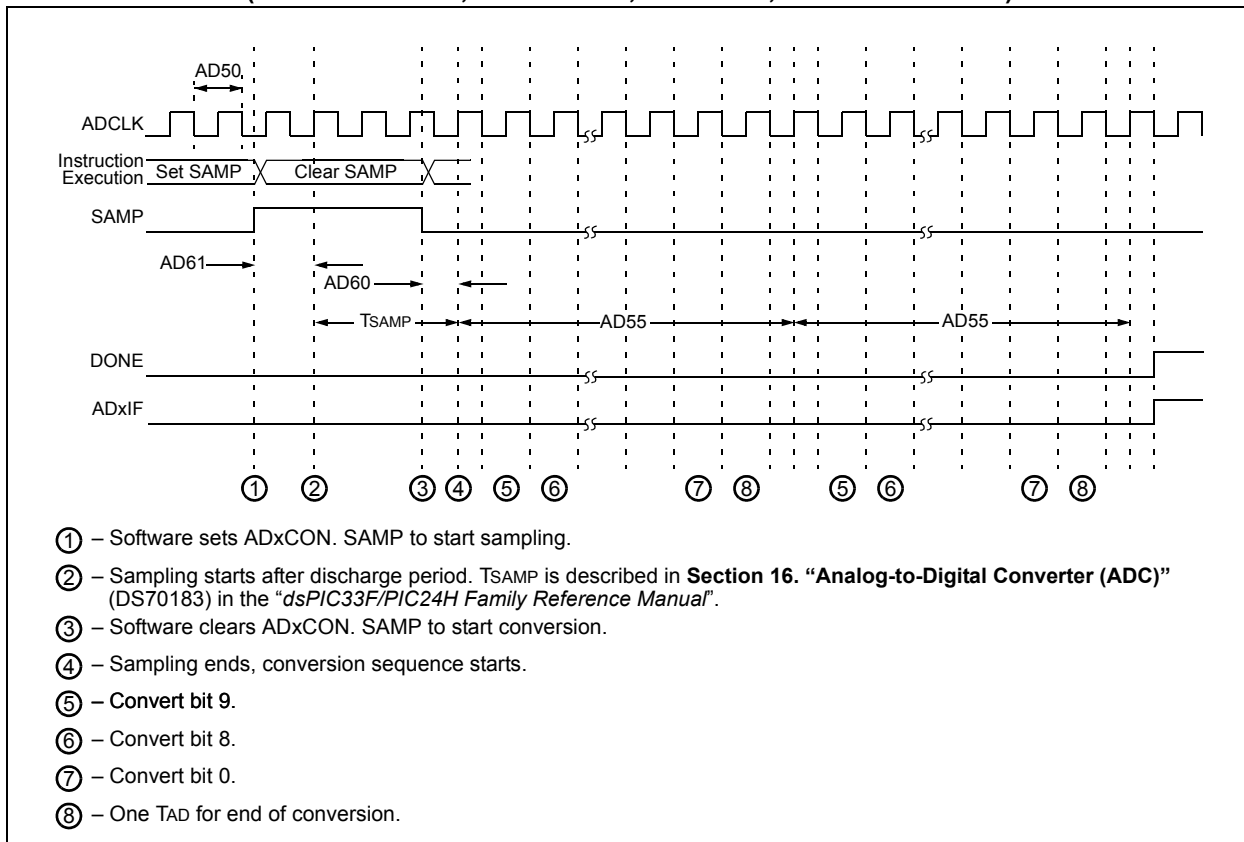
- Note 1:** These parameters are not characterized or tested in manufacturing.
- Note 2:** These parameters are characterized, but are not tested in manufacturing.
- Note 3:** These parameters are assured by design, but are not characterized or tested in manufacturing.
- Note 4:** This pin may not be available on all devices; in which case, this pin will be connected to VDD internally. See the “**Pin Diagrams**” section for availability.
- Note 5:** This pin may not be available on all devices; in which case, this pin will be connected to VSS internally. See the “**Pin Diagrams**” section for availability.
- Note 6:** Overall functional device operation at VBOR < VDD < VDDMIN is ensured but not characterized. All device analog modules, such as the ADC, etc., will function but with degraded performance below VDDMIN.

TABLE 26-48: 10-BIT ADC MODULE SPECIFICATIONS

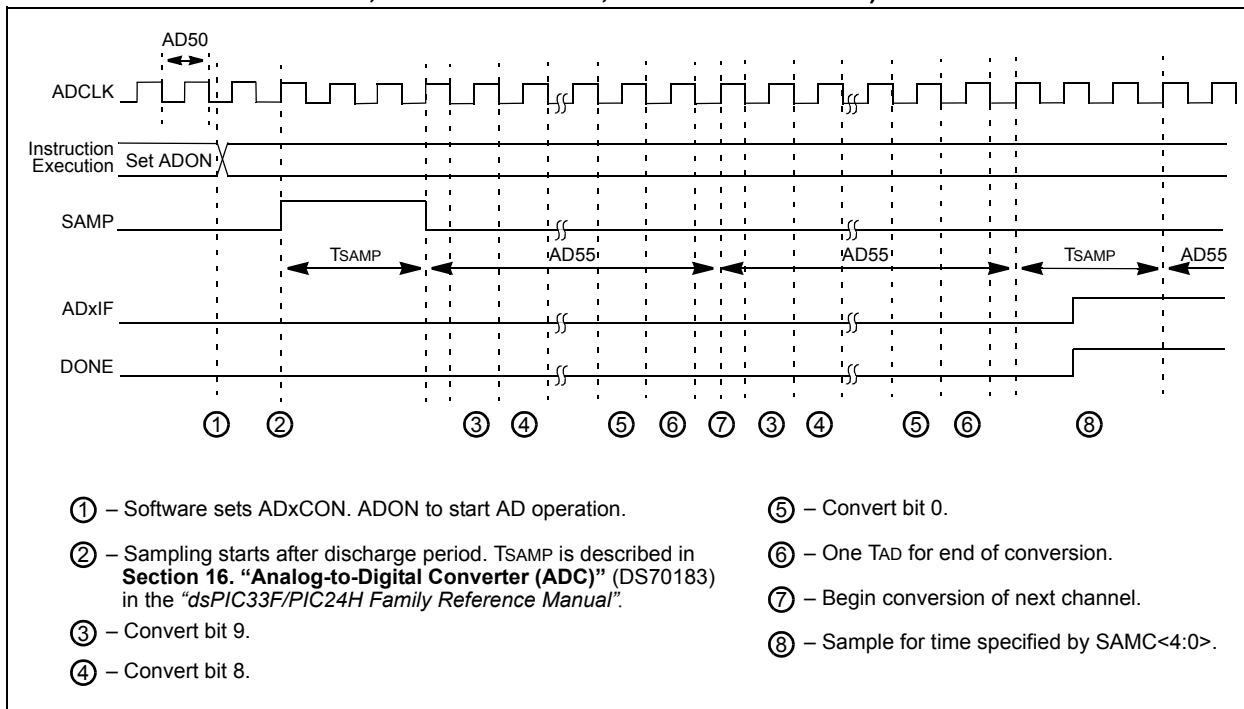
| AC CHARACTERISTICS   |                  |                                | Standard Operating Conditions: 3.0V to 3.6V <sup>(4)</sup><br>(unless otherwise stated)<br>Operating temperature -40°C ≤ T <sub>A</sub> ≤ +85°C for Industrial<br>-40°C ≤ T <sub>A</sub> ≤ +125°C for Extended |      |      |       |   |
|--|------------------|--------------------------------|--|------|------|-------|---|
| Param No.  | Symbol           | Characteristic                 | Min.   | Typ  | Max. | Units | Conditions  |
| <b>10-Bit ADC Accuracy – Measurements with AVDD/AVSS<sup>(3)</sup></b> |                  |                                |  |      |      |       |   |
| AD20b  | Nr               | Resolution                     | 10 Data Bits   |      |      | bits  |   |
| AD21b  | INL              | Integral Nonlinearity          | -1   | —    | +1   | LSb   | V <sub>INL</sub> = AV <sub>SS</sub> = 0V, AV <sub>DD</sub> = 3.6V |
| AD22b  | DNL              | Differential Nonlinearity      | >-1  | —    | <1   | LSb   | V <sub>INL</sub> = AV <sub>SS</sub> = 0V, AV <sub>DD</sub> = 3.6V |
| AD23b  | GERR             | Gain Error                     | 3  | 7    | 15   | LSb   | V <sub>INL</sub> = AV <sub>SS</sub> = 0V, AV <sub>DD</sub> = 3.6V |
| AD24b  | E <sub>OFF</sub> | Offset Error                   | 1.5  | 3    | 7    | LSb   | V <sub>INL</sub> = AV <sub>SS</sub> = 0V, AV <sub>DD</sub> = 3.6V |
| AD25b  | —                | Monotonicity                   | —  | —    | —    | —     | Guaranteed <sup>(1)</sup>   |
| <b>Dynamic Performance (10-Bit Mode)<sup>(2)</sup></b>                 |                  |                                |  |      |      |       |   |
| AD30b  | THD              | Total Harmonic Distortion      | —  | —    | -64  | dB    |   |
| AD31b  | SINAD            | Signal to Noise and Distortion | 57   | 58.5 | —    | dB    |   |
| AD32b  | SFDR             | Spurious Free Dynamic Range    | 72   | —    | —    | dB    |   |
| AD33b  | F <sub>NYQ</sub> | Input Signal Bandwidth         | —  | —    | 550  | kHz   |   |
| AD34b  | ENOB             | Effective Number of Bits       | 9.16   | 9.4  | —    | bits  |   |

- Note 1:** The Analog-to-Digital conversion result never decreases with an increase in the input voltage and has no missing codes.
- 2:** These parameters are characterized by similarity, but are not tested in manufacturing.
- 3:** These parameters are characterized, but are tested at 20 ksps only.
- 4:** Overall functional device operation at V<sub>BOR</sub> < V<sub>DD</sub> < V<sub>DDMIN</sub> is guaranteed but not characterized. All device analog modules such as the ADC, etc., will function but with degraded performance below V<sub>DDMIN</sub>

**FIGURE 26-31: ADC CONVERSION TIMING CHARACTERISTICS (CHPS<1:0> = 01, SIMSAM = 0, ASAM = 0, SSRC<2:0> = 000)**



**FIGURE 26-32: ADC CONVERSION TIMING CHARACTERISTICS (CHPS<1:0> = 01, SIMSAM = 0, ASAM = 1, SSRC<2:0> = 111, SAMC<4:0> = 00001)**



**TABLE 26-49: 10-BIT ADC CONVERSION TIMING REQUIREMENTS**

| AC CHARACTERISTICS                    |        |  | Standard Operating Conditions: 3.0V to 3.6V<br>(unless otherwise stated)<br>Operating temperature -40°C ≤ TA ≤ +85°C for Industrial<br>-40°C ≤ TA ≤ +125°C for Extended |                    |         |       |   |
|---------------------------------------|--------|--|---|--------------------|---------|-------|---|
| Param No.                             | Symbol | Characteristic   | Min.  | Typ <sup>(1)</sup> | Max.    | Units | Conditions  |
| <b>Clock Parameters<sup>(2)</sup></b> |        |  |   |                    |         |       |   |
| AD50                                  | TAD    | ADC Clock Period   | 76  | —                  | —       | ns    |   |
| AD51                                  | tRC    | ADC Internal RC Oscillator Period                                    | —   | 250                | —       | ns    |   |
| <b>Conversion Rates</b>               |        |  |   |                    |         |       |   |
| AD55                                  | tCONV  | Conversion Time  | —   | 12 TAD             | —       | —     |   |
| AD56                                  | FCNV   | Throughput Rate  | —   | —                  | 1.1     | Msp/s |   |
| AD57                                  | TSAMP  | Sample Time  | 2.0 TAD   | —                  | —       | —     |   |
| <b>Timing Parameters</b>              |        |  |   |                    |         |       |   |
| AD60                                  | tPCS   | Conversion Start from Sample Trigger <sup>(1)</sup>                  | 2.0 TAD   | —                  | 3.0 TAD | —     | Auto-Convert Trigger (SSRC<2:0> = 111) not selected |
| AD61                                  | tPSS   | Sample Start from Setting Sample (SAMP) bit <sup>(1)</sup>           | 2.0 TAD   | —                  | 3.0 TAD | —     |   |
| AD62                                  | tCSS   | Conversion Completion to Sample Start (ASAM = 1) <sup>(1)</sup>      | —   | 0.5 TAD            | —       | —     |   |
| AD63                                  | tDPU   | Time to Stabilize Analog Stage from ADC Off to ADC On <sup>(1)</sup> | —   | —                  | 20      | μs    |   |

**Note 1:** These parameters are characterized but not tested in manufacturing.

**2:** Because the sample caps will eventually lose charge, clock rates below 10 kHz may affect linearity performance, especially at elevated temperatures.

# dsPIC33FJ16(GP/MC)101/102 AND dsPIC33FJ32(GP/MC)101/102/104

**TABLE 26-50: COMPARATOR TIMING SPECIFICATIONS**

| AC CHARACTERISTICS |        |   | Standard Operating Conditions: 3.0V to 3.6V<br>(unless otherwise stated)<br>Operating temperature -40°C ≤ TA ≤ +85°C for Industrial<br>-40°C ≤ TA ≤ +125°C for Extended |     |      |       |            |
|--------------------|--------|---|---|-----|------|-------|------------|
| Param No.          | Symbol | Characteristic  | Min.  | Typ | Max. | Units | Conditions |
| 300                | TRESP  | Response Time <sup>(1,2)</sup>                        | —   | 150 | 400  | ns    |            |
| 301                | TMC2OV | Comparator Mode Change to Output Valid <sup>(1)</sup> | —   | —   | 10   | μs    |            |
| 302                | TON2OV | Comparator Enabled to Output Valid <sup>(1)</sup>     | —   | —   | 10   | μs    |            |

**Note 1:** Parameters are characterized but not tested.

**Note 2:** Response time is measured with one comparator input at  $(V_{DD} - 1.5)/2$ , while the other input transitions from VSS to VDD.

**TABLE 26-51: COMPARATOR MODULE SPECIFICATIONS**

| DC CHARACTERISTICS |        |  | Standard Operating Conditions: 3.0V to 3.6V<br>(unless otherwise stated)<br>Operating temperature -40°C ≤ TA ≤ +85°C for Industrial<br>-40°C ≤ TA ≤ +125°C for Extended |      |             |       |            |
|--------------------|--------|--|---|------|-------------|-------|------------|
| Param No.          | Symbol | Characteristic                             | Min.  | Typ  | Max.        | Units | Conditions |
| D300               | VIOFF  | Input Offset Voltage <sup>(1)</sup>        | -20   | ±10  | 20          | mV    |            |
| D301               | VICM   | Input Common-Mode Voltage <sup>(1)</sup>   | 0   | —    | AVDD - 1.5V | V     |            |
| D302               | CMRR   | Common-Mode Rejection Ratio <sup>(1)</sup> | -54   | —    | —           | dB    |            |
| D305               | IVREF  | Internal Voltage Reference <sup>(1)</sup>  | 1.116   | 1.24 | 1.364       | V     |            |

**Note 1:** Parameters are characterized but not tested.

**TABLE 26-52: COMPARATOR VOLTAGE REFERENCE SETTling TIME SPECIFICATIONS**

| AC CHARACTERISTICS |        |                              | Standard Operating Conditions: 3.0V to 3.6V<br>(unless otherwise stated)<br>Operating temperature -40°C ≤ TA ≤ +85°C for Industrial<br>-40°C ≤ TA ≤ +125°C for Extended |     |      |       |            |
|--------------------|--------|------------------------------|---|-----|------|-------|------------|
| Param No.          | Symbol | Characteristic               | Min.  | Typ | Max. | Units | Conditions |
| VR310              | TSET   | Settling Time <sup>(1)</sup> | —   | —   | 10   | μs    |            |

**Note 1:** Settling time measured while CVRR = 1 and the CVR<3:0> bits transition from '0000' to '1111'.

TABLE 26-53: COMPARATOR VOLTAGE REFERENCE SPECIFICATIONS

| DC CHARACTERISTICS |        |                         | Standard Operating Conditions:3.0V to 3.6V<br>(unless otherwise stated)<br>Operating temperature -40°C ≤ TA ≤ +85°C for Industrial<br>-40°C ≤ TA ≤ +125°C for Extended |     |           |       |            |
|--------------------|--------|-------------------------|--|-----|-----------|-------|------------|
| Param No.          | Symbol | Characteristic          | Min.   | Typ | Max.      | Units | Conditions |
| VRD310             | CVRES  | Resolution              | CVRSRC/24  | —   | CVRSRC/32 | LSb   |            |
| VRD311             | CVRAA  | Absolute Accuracy       | —  | —   | 0.5       | LSb   |            |
| VRD312             | CVRUR  | Unit Resistor Value (R) | —  | 2k  | —         | Ω     |            |

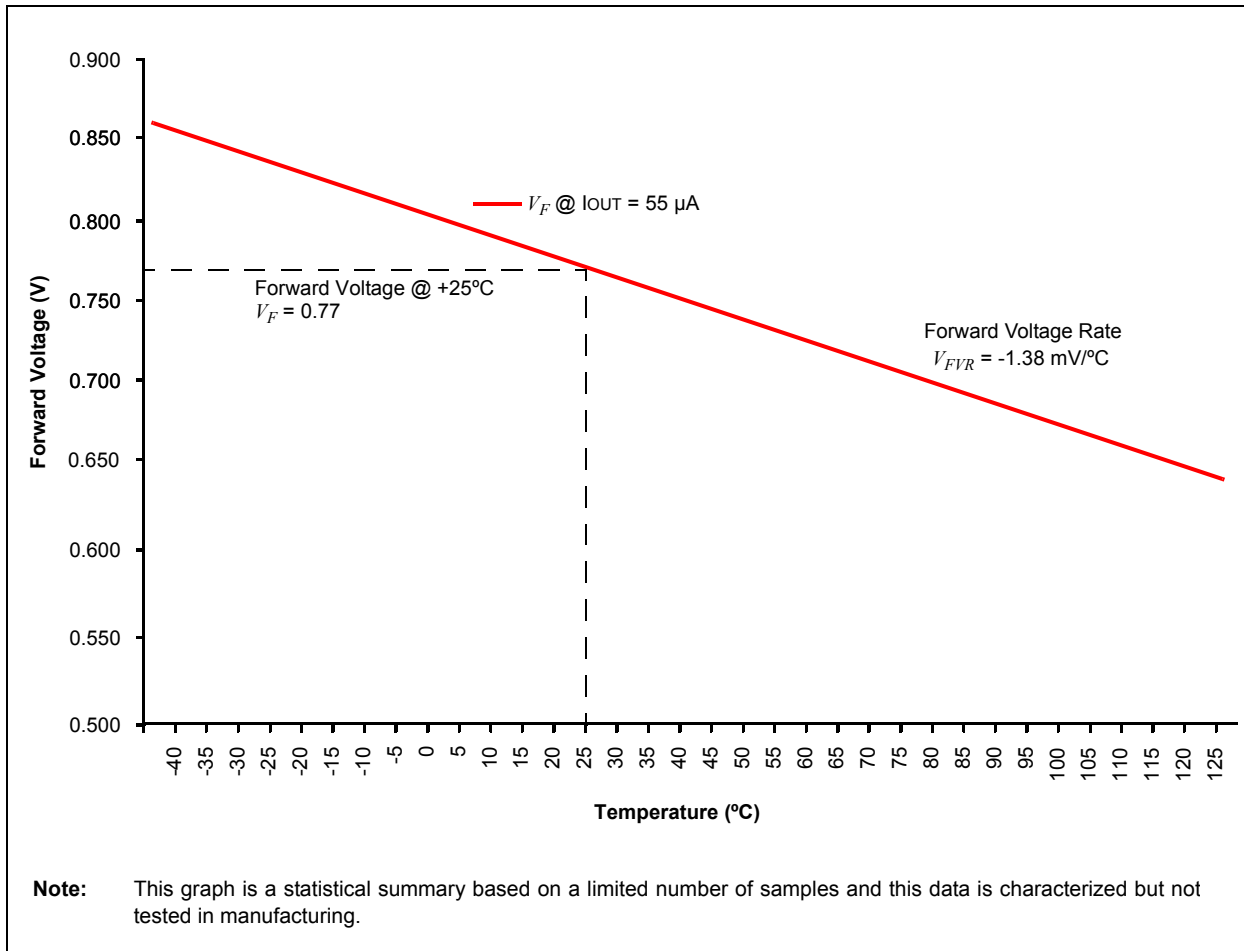
TABLE 26-54: CTMU CURRENT SOURCE SPECIFICATIONS

| DC CHARACTERISTICS         |        |                                     | Standard Operating Conditions:3.0V to 3.6V<br>(unless otherwise stated)<br>Operating temperature -40°C ≤ TA ≤ +85°C for Industrial<br>-40°C ≤ TA ≤ +125°C for Extended |       |      |       |  |
|----------------------------|--------|-------------------------------------|--|-------|------|-------|--|
| Param No.                  | Symbol | Characteristic                      | Min.   | Typ   | Max. | Units | Conditions                                       |
| <b>CTMU Current Source</b> |        |                                     |  |       |      |       |  |
| CTMUI1                     | IOUT1  | Base Range <sup>(1)</sup>           | 320  | 550   | 980  | na    | IRNG<1:0> bits (CTMUICON<9:8>) = 0b01            |
| CTMUI2                     | IOUT2  | 10x Range <sup>(1)</sup>            | 3.2  | 5.5   | 9.8  | μA    | IRNG<1:0> bits (CTMUICON<9:8>) = 0b10            |
| CTMUI3                     | IOUT3  | 100x Range <sup>(1)</sup>           | 32   | 55    | 98   | μA    | IRNG<1:0> bits (CTMUICON<9:8>) = 0b11            |
| <b>Internal Diode</b>      |        |                                     |  |       |      |       |  |
| CTMUFV1                    | VF     | Forward Voltage <sup>(2)</sup>      | —  | 0.77  | —    | V     | IRNG<1:0> bits (CTMUICON<9:8>) = 0b11<br>@ +25°C |
| CTMUFV2                    | VFVR   | Forward Voltage Rate <sup>(2)</sup> | —  | -1.38 | —    | mV/°C | IRNG<1:0> bits (CTMUICON<9:8>) = 0b11            |

**Note 1:** Nominal value at center point of current trim range (ITRIM<5:0> bits (CTMUICON<15:10>) = 0b000000).

**Note 2:** ADC module configured for conversion speed of 500 ksp/s. Parameters are characterized but not tested in manufacturing.

FIGURE 26-33: FORWARD VOLTAGE VERSUS TEMPERATURE





## 27.0 PACKAGING INFORMATION

### 27.1 Package Marking Information

#### 18-Lead PDIP



#### Example



#### 18-Lead SOIC



#### Example



#### 20-Lead PDIP



#### Example



#### 20-Lead SSOP



#### Example



#### 20-Lead SOIC



#### Example



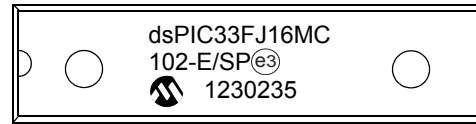
|                |  |  |
|----------------|--|--|
| <b>Legend:</b> | XX...X   | Customer-specific information  |
|                | Y  | Year code (last digit of calendar year)  |
|                | YY   | Year code (last 2 digits of calendar year)   |
|                | WW   | Week code (week of January 1 is week '01')   |
|                | NNN  | Alphanumeric traceability code   |
|                | (e3)   | Pb-free JEDEC designator for Matte Tin (Sn)  |
|                | *  | This package is Pb-free. The Pb-free JEDEC designator ((e3)) can be found on the outer packaging for this package. |
| <b>Note:</b>   | If the full Microchip part number cannot be marked on one line, it is carried over to the next line, thus limiting the number of available characters for customer-specific information. |  |

**27.1 Package Marking Information (Continued)**

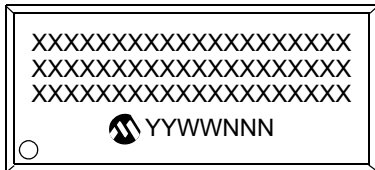
28-Lead SPDIP



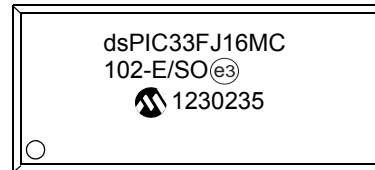
Example



28-Lead SOIC



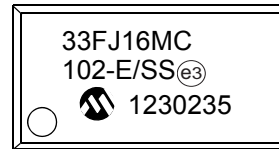
Example



28-Lead SSOP



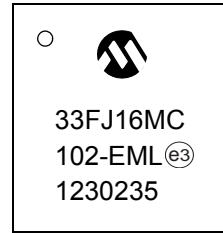
Example



28-Lead QFN



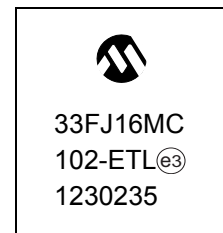
Example



36-Lead VTLA



Example



|                |        |  |
|----------------|--------|--|
| <b>Legend:</b> | XX...X | Customer-specific information  |
|                | Y      | Year code (last digit of calendar year)  |
|                | YY     | Year code (last 2 digits of calendar year)   |
|                | WW     | Week code (week of January 1 is week '01')   |
|                | NNN    | Alphanumeric traceability code   |
|                | (e3)   | Pb-free JEDEC designator for Matte Tin (Sn)  |
|                | *      | This package is Pb-free. The Pb-free JEDEC designator ((e3)) can be found on the outer packaging for this package. |

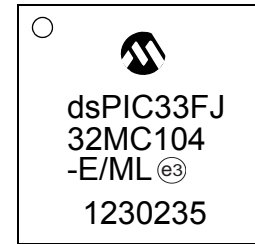
**Note:** If the full Microchip part number cannot be marked on one line, it is carried over to the next line, thus limiting the number of available characters for customer-specific information.

**27.1 Package Marking Information (Continued)**

44-Lead QFN



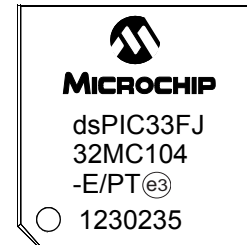
Example



44-Lead TQFP



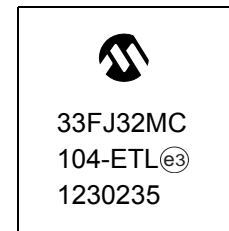
Example



44-Lead VTLA



Example



# dsPIC33FJ16(GP/MC)101/102 AND dsPIC33FJ32(GP/MC)101/102/104

## 27.2 Package Details

### 18-Lead Plastic Dual In-Line (P) – 300 mil Body [PDIP]

**Note:** For the most current package drawings, please see the Microchip Packaging Specification located at <http://www.microchip.com/packaging>



| Dimension Limits           | Units | INCHES   |      |      |
|----------------------------|-------|----------|------|------|
|                            |       | MIN      | NOM  | MAX  |
| Number of Pins             | N     | 18       |      |      |
| Pitch                      | e     | .100 BSC |      |      |
| Top to Seating Plane       | A     | –        | –    | .210 |
| Molded Package Thickness   | A2    | .115     | .130 | .195 |
| Base to Seating Plane      | A1    | .015     | –    | –    |
| Shoulder to Shoulder Width | E     | .300     | .310 | .325 |
| Molded Package Width       | E1    | .240     | .250 | .280 |
| Overall Length             | D     | .880     | .900 | .920 |
| Tip to Seating Plane       | L     | .115     | .130 | .150 |
| Lead Thickness             | c     | .008     | .010 | .014 |
| Upper Lead Width           | b1    | .045     | .060 | .070 |
| Lower Lead Width           | b     | .014     | .018 | .022 |
| Overall Row Spacing §      | eB    | –        | –    | .430 |

**Notes:**

- Pin 1 visual index feature may vary, but must be located within the hatched area.
- § Significant Characteristic.
- Dimensions D and E1 do not include mold flash or protrusions. Mold flash or protrusions shall not exceed .010" per side.
- Dimensioning and tolerancing per ASME Y14.5M.

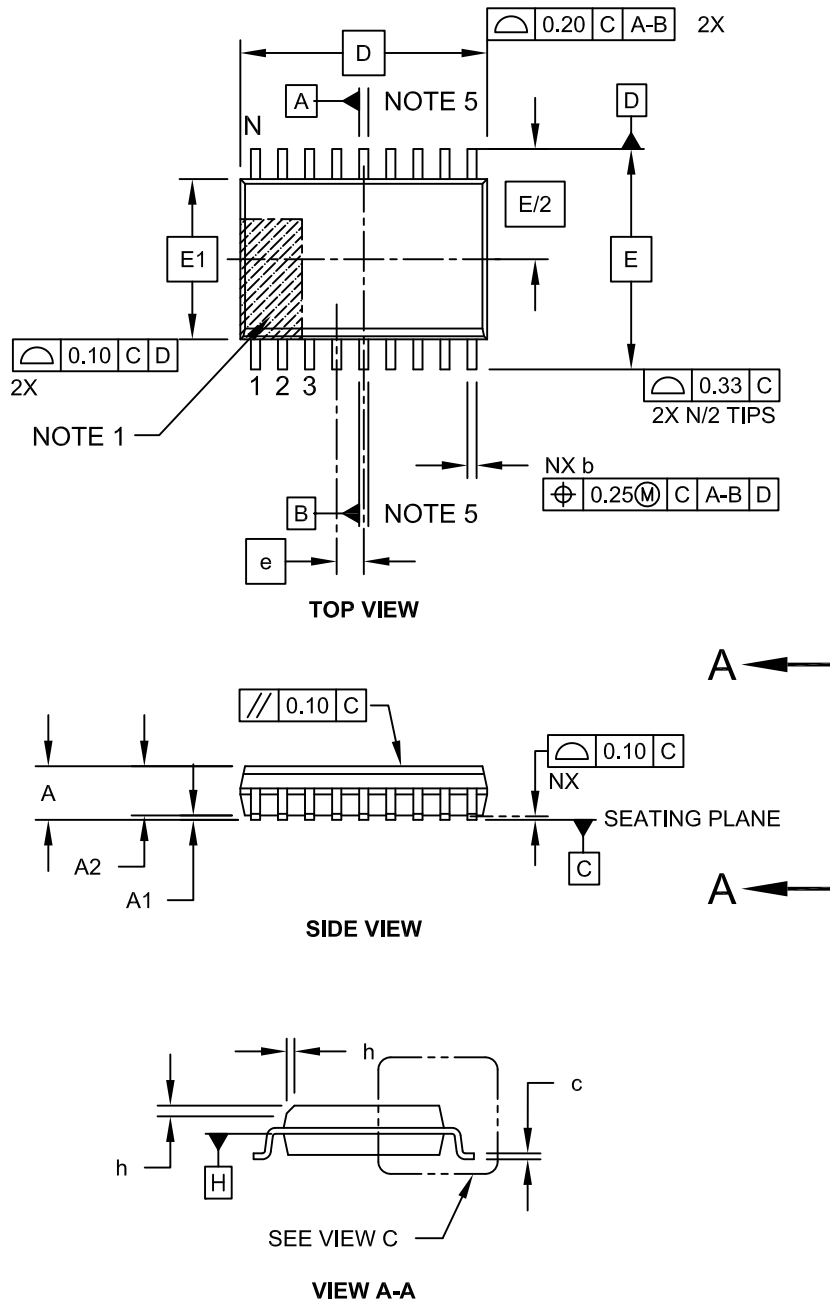
BSC: Basic Dimension. Theoretically exact value shown without tolerances.

Microchip Technology Drawing C04-007B

# dsPIC33FJ16(GP/MC)101/102 AND dsPIC33FJ32(GP/MC)101/102/104

## 18-Lead Plastic Small Outline (SO) - Wide, 7.50 mm Body [SOIC]

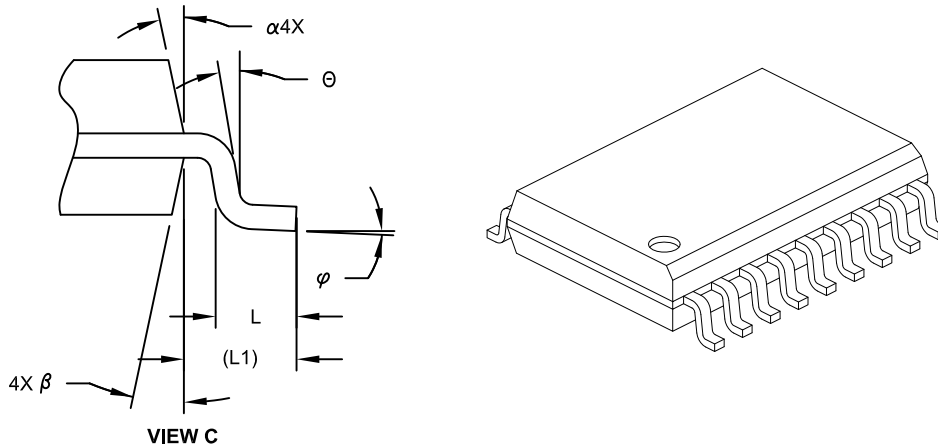
**Note:** For the most current package drawings, please see the Microchip Packaging Specification located at <http://www.microchip.com/packaging>



Microchip Technology Drawing C04-051C Sheet 1 of 2

## 18-Lead Plastic Small Outline (SO) - Wide, 7.50 mm Body [SOIC]

**Note:** For the most current package drawings, please see the Microchip Packaging Specification located at <http://www.microchip.com/packaging>



| Dimension Limits         | Units     | MILLIMETERS |     |      |
|--------------------------|-----------|-------------|-----|------|
|                          |           | MIN         | NOM | MAX  |
| Number of Pins           | N         | 18          |     |      |
| Pitch                    | e         | 1.27 BSC    |     |      |
| Overall Height           | A         | -           | -   | 2.65 |
| Molded Package Thickness | A2        | 2.05        | -   | -    |
| Standoff §               | A1        | 0.10        | -   | 0.30 |
| Overall Width            | E         | 10.30 BSC   |     |      |
| Molded Package Width     | E1        | 7.50 BSC    |     |      |
| Overall Length           | D         | 11.55 BSC   |     |      |
| Chamfer (Optional)       | h         | 0.25        | -   | 0.75 |
| Foot Length              | L         | 0.40        | -   | 1.27 |
| Footprint                | L1        | 1.40 REF    |     |      |
| Lead Angle               | $\theta$  | 0°          | -   | -    |
| Foot Angle               | $\varphi$ | 0°          | -   | 8°   |
| Lead Thickness           | c         | 0.20        | -   | 0.33 |
| Lead Width               | b         | 0.31        | -   | 0.51 |
| Mold Draft Angle Top     | $\alpha$  | 5°          | -   | 15°  |
| Mold Draft Angle Bottom  | $\beta$   | 5°          | -   | 15°  |

**Notes:**

- Pin 1 visual index feature may vary, but must be located within the hatched area.
- § Significant Characteristic
- Dimension D does not include mold flash, protrusions or gate burrs, which shall not exceed 0.15 mm per end. Dimension E1 does not include interlead flash or protrusion, which shall not exceed 0.25 mm per side.
- Dimensioning and tolerancing per ASME Y14.5M  
 BSC: Basic Dimension. Theoretically exact value shown without tolerances.  
 REF: Reference Dimension, usually without tolerance, for information purposes only.
- Datums A & B to be determined at Datum H.

Microchip Technology Drawing No. C04-051C Sheet 2 of 2

# dsPIC33FJ16(GP/MC)101/102 AND dsPIC33FJ32(GP/MC)101/102/104

18-Lead Plastic Small Outline (SO) - Wide, 7.50 mm Body [SOIC]

**Note:** For the most current package drawings, please see the Microchip Packaging Specification located at <http://www.microchip.com/packaging>



RECOMMENDED LAND PATTERN

| Dimension Limits      | Units | MILLIMETERS |      |      |
|-----------------------|-------|-------------|------|------|
|                       |       | MIN         | NOM  | MAX  |
| Contact Pitch         | E     | 1.27 BSC    |      |      |
| Contact Pad Spacing   | C     |             | 9.40 |      |
| Contact Pad Width     | X     |             |      | 0.60 |
| Contact Pad Length    | Y     |             |      | 2.00 |
| Distance Between Pads | Gx    | 0.67        |      |      |
| Distance Between Pads | G     | 7.40        |      |      |

**Notes:**

1. Dimensioning and tolerancing per ASME Y14.5M

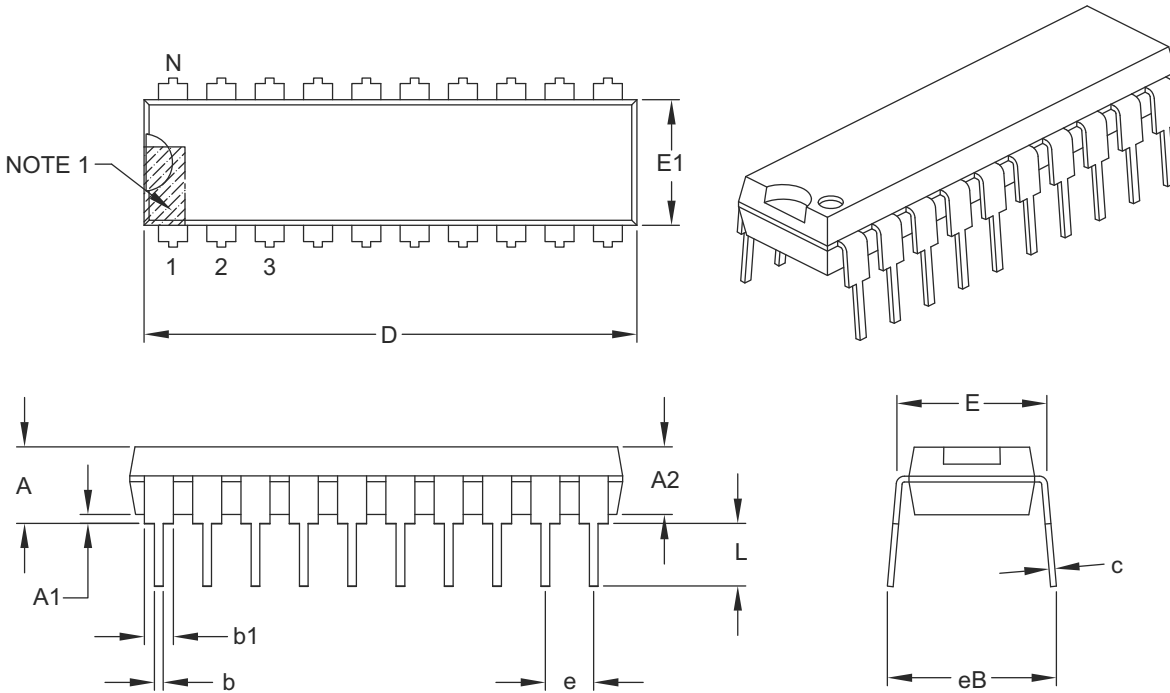
BSC: Basic Dimension. Theoretically exact value shown without tolerances.

Microchip Technology Drawing No. C04-2051A

# dsPIC33FJ16(GP/MC)101/102 AND dsPIC33FJ32(GP/MC)101/102/104

## 20-Lead Plastic Dual In-Line (P) – 300 mil Body [PDIP]

**Note:** For the most current package drawings, please see the Microchip Packaging Specification located at <http://www.microchip.com/packaging>



| Dimension Limits           | Units | INCHES   |       |       |
|----------------------------|-------|----------|-------|-------|
|                            |       | MIN      | NOM   | MAX   |
| Number of Pins             | N     | 20       |       |       |
| Pitch                      | e     | .100 BSC |       |       |
| Top to Seating Plane       | A     | –        | –     | .210  |
| Molded Package Thickness   | A2    | .115     | .130  | .195  |
| Base to Seating Plane      | A1    | .015     | –     | –     |
| Shoulder to Shoulder Width | E     | .300     | .310  | .325  |
| Molded Package Width       | E1    | .240     | .250  | .280  |
| Overall Length             | D     | .980     | 1.030 | 1.060 |
| Tip to Seating Plane       | L     | .115     | .130  | .150  |
| Lead Thickness             | c     | .008     | .010  | .015  |
| Upper Lead Width           | b1    | .045     | .060  | .070  |
| Lower Lead Width           | b     | .014     | .018  | .022  |
| Overall Row Spacing §      | eB    | –        | –     | .430  |

**Notes:**

- Pin 1 visual index feature may vary, but must be located within the hatched area.
- § Significant Characteristic.
- Dimensions D and E1 do not include mold flash or protrusions. Mold flash or protrusions shall not exceed .010" per side.
- Dimensioning and tolerancing per ASME Y14.5M.

BSC: Basic Dimension. Theoretically exact value shown without tolerances.

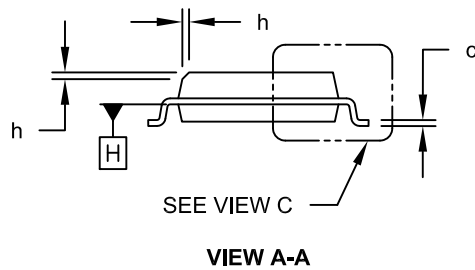
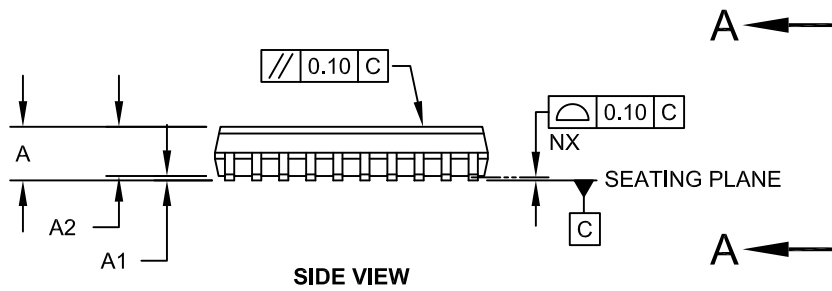
Microchip Technology Drawing C04-019B



# dsPIC33FJ16(GP/MC)101/102 AND dsPIC33FJ32(GP/MC)101/102/104

## 20-Lead Plastic Small Outline (SO) - Wide, 7.50 mm Body [SOIC]

**Note:** For the most current package drawings, please see the Microchip Packaging Specification located at <http://www.microchip.com/packaging>

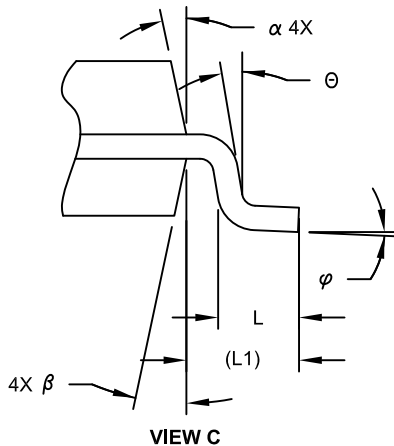


Microchip Technology Drawing C04-094C Sheet 1 of 2

# dsPIC33FJ16(GP/MC)101/102 AND dsPIC33FJ32(GP/MC)101/102/104

## 20-Lead Plastic Small Outline (SO) - Wide, 7.50 mm Body [SOIC]

**Note:** For the most current package drawings, please see the Microchip Packaging Specification located at <http://www.microchip.com/packaging>



| Dimension Limits         | Units     | MILLIMETERS |     |      |
|--------------------------|-----------|-------------|-----|------|
|                          |           | MIN         | NOM | MAX  |
| Number of Pins           | N         | 20          |     |      |
| Pitch                    | e         | 1.27 BSC    |     |      |
| Overall Height           | A         | -           | -   | 2.65 |
| Molded Package Thickness | A2        | 2.05        | -   | -    |
| Standoff §               | A1        | 0.10        | -   | 0.30 |
| Overall Width            | E         | 10.30 BSC   |     |      |
| Molded Package Width     | E1        | 7.50 BSC    |     |      |
| Overall Length           | D         | 12.80 BSC   |     |      |
| Chamfer (Optional)       | h         | 0.25        | -   | 0.75 |
| Foot Length              | L         | 0.40        | -   | 1.27 |
| Footprint                | L1        | 1.40 REF    |     |      |
| Lead Angle               | $\Theta$  | 0°          | -   | -    |
| Foot Angle               | $\varphi$ | 0°          | -   | 8°   |
| Lead Thickness           | c         | 0.20        | -   | 0.33 |
| Lead Width               | b         | 0.31        | -   | 0.51 |
| Mold Draft Angle Top     | $\alpha$  | 5°          | -   | 15°  |
| Mold Draft Angle Bottom  | $\beta$   | 5°          | -   | 15°  |

**Notes:**

- Pin 1 visual index feature may vary, but must be located within the hatched area.
- § Significant Characteristic
- Dimension D does not include mold flash, protrusions or gate burrs, which shall not exceed 0.15 mm per end. Dimension E1 does not include interlead flash or protrusion, which shall not exceed 0.25 mm per side.
- Dimensioning and tolerancing per ASME Y14.5M  
 BSC: Basic Dimension. Theoretically exact value shown without tolerances.  
 REF: Reference Dimension, usually without tolerance, for information purposes only.
- Datums A & B to be determined at Datum H.

Microchip Technology Drawing No. C04-094C Sheet 2 of 2

# dsPIC33FJ16(GP/MC)101/102 AND dsPIC33FJ32(GP/MC)101/102/104

20-Lead Plastic Small Outline (SO) - Wide, 7.50 mm Body [SOIC]

**Note:** For the most current package drawings, please see the Microchip Packaging Specification located at <http://www.microchip.com/packaging>



RECOMMENDED LAND PATTERN

| Dimension Limits         | Units | MILLIMETERS |      |      |
|--------------------------|-------|-------------|------|------|
|                          |       | MIN         | NOM  | MAX  |
| Contact Pitch            | E     | 1.27 BSC    |      |      |
| Contact Pad Spacing      | C     |             | 9.40 |      |
| Contact Pad Width (X20)  | X     |             |      | 0.60 |
| Contact Pad Length (X20) | Y     |             |      | 1.95 |
| Distance Between Pads    | Gx    | 0.67        |      |      |
| Distance Between Pads    | G     | 7.45        |      |      |

Notes:

1. Dimensioning and tolerancing per ASME Y14.5M

BSC: Basic Dimension. Theoretically exact value shown without tolerances.

Microchip Technology Drawing No. C04-2094A

# dsPIC33FJ16(GP/MC)101/102 AND dsPIC33FJ32(GP/MC)101/102/104

## 20-Lead Plastic Shrink Small Outline (SS) – 5.30 mm Body [SSOP]

**Note:** For the most current package drawings, please see the Microchip Packaging Specification located at <http://www.microchip.com/packaging>



| Dimension Limits         | Units  | MILLIMETERS |      |      |
|--------------------------|--------|-------------|------|------|
|                          |        | MIN         | NOM  | MAX  |
| Number of Pins           | N      | 20          |      |      |
| Pitch                    | e      | 0.65 BSC    |      |      |
| Overall Height           | A      | –           | –    | 2.00 |
| Molded Package Thickness | A2     | 1.65        | 1.75 | 1.85 |
| Standoff                 | A1     | 0.05        | –    | –    |
| Overall Width            | E      | 7.40        | 7.80 | 8.20 |
| Molded Package Width     | E1     | 5.00        | 5.30 | 5.60 |
| Overall Length           | D      | 6.90        | 7.20 | 7.50 |
| Foot Length              | L      | 0.55        | 0.75 | 0.95 |
| Footprint                | L1     | 1.25 REF    |      |      |
| Lead Thickness           | c      | 0.09        | –    | 0.25 |
| Foot Angle               | $\phi$ | 0°          | 4°   | 8°   |
| Lead Width               | b      | 0.22        | –    | 0.38 |

**Notes:**

- Pin 1 visual index feature may vary, but must be located within the hatched area.
- Dimensions D and E1 do not include mold flash or protrusions. Mold flash or protrusions shall not exceed 0.20 mm per side.
- Dimensioning and tolerancing per ASME Y14.5M.

BSC: Basic Dimension. Theoretically exact value shown without tolerances.

REF: Reference Dimension, usually without tolerance, for information purposes only.

Microchip Technology Drawing C04-072B

# dsPIC33FJ16(GP/MC)101/102 AND dsPIC33FJ32(GP/MC)101/102/104

20-Lead Plastic Shrink Small Outline (SS) - 5.30 mm Body [SSOP]

**Note:** For the most current package drawings, please see the Microchip Packaging Specification located at <http://www.microchip.com/packaging>



|                          |    | MILLIMETERS |      |      |
|--------------------------|----|-------------|------|------|
| Units                    |    | MIN         | NOM  | MAX  |
| Dimension Limits         |    |             |      |      |
| Contact Pitch            | E  | 0.65 BSC    |      |      |
| Contact Pad Spacing      | C  |             | 7.20 |      |
| Contact Pad Width (X20)  | X1 |             |      | 0.45 |
| Contact Pad Length (X20) | Y1 |             |      | 1.75 |
| Distance Between Pads    | G  | 0.20        |      |      |

Notes:

1. Dimensioning and tolerancing per ASME Y14.5M

BSC: Basic Dimension. Theoretically exact value shown without tolerances.

Microchip Technology Drawing No. C04-2072A

# dsPIC33FJ16(GP/MC)101/102 AND dsPIC33FJ32(GP/MC)101/102/104

## 28-Lead Skinny Plastic Dual In-Line (SP) – 300 mil Body [SPDIP]

**Note:** For the most current package drawings, please see the Microchip Packaging Specification located at <http://www.microchip.com/packaging>



| Dimension Limits           | Units | INCHES   |       |       |
|----------------------------|-------|----------|-------|-------|
|                            |       | MIN      | NOM   | MAX   |
| Number of Pins             | N     | 28       |       |       |
| Pitch                      | e     | .100 BSC |       |       |
| Top to Seating Plane       | A     | –        | –     | .200  |
| Molded Package Thickness   | A2    | .120     | .135  | .150  |
| Base to Seating Plane      | A1    | .015     | –     | –     |
| Shoulder to Shoulder Width | E     | .290     | .310  | .335  |
| Molded Package Width       | E1    | .240     | .285  | .295  |
| Overall Length             | D     | 1.345    | 1.365 | 1.400 |
| Tip to Seating Plane       | L     | .110     | .130  | .150  |
| Lead Thickness             | c     | .008     | .010  | .015  |
| Upper Lead Width           | b1    | .040     | .050  | .070  |
| Lower Lead Width           | b     | .014     | .018  | .022  |
| Overall Row Spacing §      | eB    | –        | –     | .430  |

**Notes:**

- Pin 1 visual index feature may vary, but must be located within the hatched area.
- § Significant Characteristic.
- Dimensions D and E1 do not include mold flash or protrusions. Mold flash or protrusions shall not exceed .010" per side.
- Dimensioning and tolerancing per ASME Y14.5M.  
BSC: Basic Dimension. Theoretically exact value shown without tolerances.

Microchip Technology Drawing C04-070B

# dsPIC33FJ16(GP/MC)101/102 AND dsPIC33FJ32(GP/MC)101/102/104

## 28-Lead Plastic Shrink Small Outline (SS) – 5.30 mm Body [SSOP]

**Note:** For the most current package drawings, please see the Microchip Packaging Specification located at <http://www.microchip.com/packaging>



| Dimension Limits         | Units | MILLIMETERS |       |       |
|--------------------------|-------|-------------|-------|-------|
|                          |       | MIN         | NOM   | MAX   |
| Number of Pins           | N     | 28          |       |       |
| Pitch                    | e     | 0.65 BSC    |       |       |
| Overall Height           | A     | –           | –     | 2.00  |
| Molded Package Thickness | A2    | 1.65        | 1.75  | 1.85  |
| Standoff                 | A1    | 0.05        | –     | –     |
| Overall Width            | E     | 7.40        | 7.80  | 8.20  |
| Molded Package Width     | E1    | 5.00        | 5.30  | 5.60  |
| Overall Length           | D     | 9.90        | 10.20 | 10.50 |
| Foot Length              | L     | 0.55        | 0.75  | 0.95  |
| Footprint                | L1    | 1.25 REF    |       |       |
| Lead Thickness           | c     | 0.09        | –     | 0.25  |
| Foot Angle               | φ     | 0°          | 4°    | 8°    |
| Lead Width               | b     | 0.22        | –     | 0.38  |

**Notes:**

- Pin 1 visual index feature may vary, but must be located within the hatched area.
- Dimensions D and E1 do not include mold flash or protrusions. Mold flash or protrusions shall not exceed 0.20 mm per side.
- Dimensioning and tolerancing per ASME Y14.5M.

BSC: Basic Dimension. Theoretically exact value shown without tolerances.

REF: Reference Dimension, usually without tolerance, for information purposes only.

Microchip Technology Drawing C04-073B

# dsPIC33FJ16(GP/MC)101/102 AND dsPIC33FJ32(GP/MC)101/102/104

28-Lead Plastic Shrink Small Outline (SS) - 5.30 mm Body [SSOP]

**Note:** For the most current package drawings, please see the Microchip Packaging Specification located at <http://www.microchip.com/packageing>



| Dimension Limits         | Units | MILLIMETERS |      |      |
|--------------------------|-------|-------------|------|------|
|                          |       | MIN         | NOM  | MAX  |
| Contact Pitch            | E     | 0.65 BSC    |      |      |
| Contact Pad Spacing      | C     |             | 7.20 |      |
| Contact Pad Width (X28)  | X1    |             |      | 0.45 |
| Contact Pad Length (X28) | Y1    |             |      | 1.75 |
| Distance Between Pads    | G     | 0.20        |      |      |

**Notes:**

1. Dimensioning and tolerancing per ASME Y14.5M

BSC: Basic Dimension. Theoretically exact value shown without tolerances.

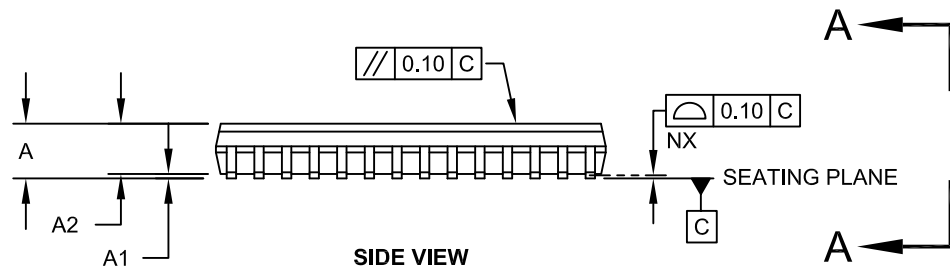
Microchip Technology Drawing No. C04-2073A



# dsPIC33FJ16(GP/MC)101/102 AND dsPIC33FJ32(GP/MC)101/102/104

## 28-Lead Plastic Small Outline (SO) - Wide, 7.50 mm Body [SOIC]

**Note:** For the most current package drawings, please see the Microchip Packaging Specification located at <http://www.microchip.com/packaging>



Microchip Technology Drawing C04-052C Sheet 1 of 2

# dsPIC33FJ16(GP/MC)101/102 AND dsPIC33FJ32(GP/MC)101/102/104

## 28-Lead Plastic Small Outline (SO) - Wide, 7.50 mm Body [SOIC]

**Note:** For the most current package drawings, please see the Microchip Packaging Specification located at <http://www.microchip.com/packaging>



| Dimension                | Units     | MILLIMETERS |     |      |
|--------------------------|-----------|-------------|-----|------|
|                          |           | MIN         | NOM | MAX  |
| Number of Pins           | N         | 28          |     |      |
| Pitch                    | e         | 1.27 BSC    |     |      |
| Overall Height           | A         | -           | -   | 2.65 |
| Molded Package Thickness | A2        | 2.05        | -   | -    |
| Standoff §               | A1        | 0.10        | -   | 0.30 |
| Overall Width            | E         | 10.30 BSC   |     |      |
| Molded Package Width     | E1        | 7.50 BSC    |     |      |
| Overall Length           | D         | 17.90 BSC   |     |      |
| Chamfer (Optional)       | h         | 0.25        | -   | 0.75 |
| Foot Length              | L         | 0.40        | -   | 1.27 |
| Footprint                | L1        | 1.40 REF    |     |      |
| Lead Angle               | $\theta$  | 0°          | -   | -    |
| Foot Angle               | $\varphi$ | 0°          | -   | 8°   |
| Lead Thickness           | c         | 0.18        | -   | 0.33 |
| Lead Width               | b         | 0.31        | -   | 0.51 |
| Mold Draft Angle Top     | $\alpha$  | 5°          | -   | 15°  |
| Mold Draft Angle Bottom  | $\beta$   | 5°          | -   | 15°  |

**Notes:**

- Pin 1 visual index feature may vary, but must be located within the hatched area.
- § Significant Characteristic
- Dimension D does not include mold flash, protrusions or gate burrs, which shall not exceed 0.15 mm per end. Dimension E1 does not include interlead flash or protrusion, which shall not exceed 0.25 mm per side.
- Dimensioning and tolerancing per ASME Y14.5M  
 BSC: Basic Dimension. Theoretically exact value shown without tolerances.  
 REF: Reference Dimension, usually without tolerance, for information purposes only.
- Datums A & B to be determined at Datum H.

Microchip Technology Drawing C04-052C Sheet 2 of 2

# dsPIC33FJ16(GP/MC)101/102 AND dsPIC33FJ32(GP/MC)101/102/104

28-Lead Plastic Small Outline (SO) - Wide, 7.50 mm Body [SOIC]

**Note:** For the most current package drawings, please see the Microchip Packaging Specification located at <http://www.microchip.com/packaging>



## RECOMMENDED LAND PATTERN

| Dimension Limits         | Units | MILLIMETERS |      |      |
|--------------------------|-------|-------------|------|------|
|                          |       | MIN         | NOM  | MAX  |
| Contact Pitch            | E     | 1.27 BSC    |      |      |
| Contact Pad Spacing      | C     |             | 9.40 |      |
| Contact Pad Width (X28)  | X     |             |      | 0.60 |
| Contact Pad Length (X28) | Y     |             |      | 2.00 |
| Distance Between Pads    | Gx    | 0.67        |      |      |
| Distance Between Pads    | G     | 7.40        |      |      |

Notes:

1. Dimensioning and tolerancing per ASME Y14.5M

BSC: Basic Dimension. Theoretically exact value shown without tolerances.

Microchip Technology Drawing No. C04-2052A

# dsPIC33FJ16(GP/MC)101/102 AND dsPIC33FJ32(GP/MC)101/102/104

## 28-Lead Plastic Quad Flat, No Lead Package (ML) - 6x6 mm Body [QFN] With 0.55 mm Terminal Length

**Note:** For the most current package drawings, please see the Microchip Packaging Specification located at <http://www.microchip.com/packaging>



Microchip Technology Drawing C04-105C Sheet 1 of 2

## 28-Lead Plastic Quad Flat, No Lead Package (ML) - 6x6 mm Body [QFN] With 0.55 mm Terminal Length

**Note:** For the most current package drawings, please see the Microchip Packaging Specification located at <http://www.microchip.com/packaging>



| Dimension               | Units<br>Limits | MILLIMETERS |      |      |
|-------------------------|-----------------|-------------|------|------|
|                         |                 | MIN         | NOM  | MAX  |
| Number of Pins          | N               | 28          |      |      |
| Pitch                   | e               | 0.65 BSC    |      |      |
| Overall Height          | A               | 0.80        | 0.90 | 1.00 |
| Standoff                | A1              | 0.00        | 0.02 | 0.05 |
| Terminal Thickness      | A3              | 0.20 REF    |      |      |
| Overall Width           | E               | 6.00 BSC    |      |      |
| Exposed Pad Width       | E2              | 3.65        | 3.70 | 4.20 |
| Overall Length          | D               | 6.00 BSC    |      |      |
| Exposed Pad Length      | D2              | 3.65        | 3.70 | 4.20 |
| Terminal Width          | b               | 0.23        | 0.30 | 0.35 |
| Terminal Length         | L               | 0.50        | 0.55 | 0.70 |
| Terminal-to-Exposed Pad | K               | 0.20        | -    | -    |

**Notes:**

- Pin 1 visual index feature may vary, but must be located within the hatched area.
- Package is saw singulated
- Dimensioning and tolerancing per ASME Y14.5M.  
BSC: Basic Dimension. Theoretically exact value shown without tolerances.  
REF: Reference Dimension, usually without tolerance, for information purposes only.

Microchip Technology Drawing C04-105C Sheet 2 of 2

# dsPIC33FJ16(GP/MC)101/102 AND dsPIC33FJ32(GP/MC)101/102/104

## 28-Lead Plastic Quad Flat, No Lead Package (ML) – 6x6 mm Body [QFN] with 0.55 mm Contact Length

**Note:** For the most current package drawings, please see the Microchip Packaging Specification located at <http://www.microchip.com/packaging>



RECOMMENDED LAND PATTERN

| Dimension Limits           | Units | MILLIMETERS |      |      |
|----------------------------|-------|-------------|------|------|
|                            |       | MIN         | NOM  | MAX  |
| Contact Pitch              | E     | 0.65 BSC    |      |      |
| Optional Center Pad Width  | W2    |             |      | 4.25 |
| Optional Center Pad Length | T2    |             |      | 4.25 |
| Contact Pad Spacing        | C1    |             | 5.70 |      |
| Contact Pad Spacing        | C2    |             | 5.70 |      |
| Contact Pad Width (X28)    | X1    |             |      | 0.37 |
| Contact Pad Length (X28)   | Y1    |             |      | 1.00 |
| Distance Between Pads      | G     | 0.20        |      |      |

Notes:

1. Dimensioning and tolerancing per ASME Y14.5M

BSC: Basic Dimension. Theoretically exact value shown without tolerances.

Microchip Technology Drawing No. C04-2105A

**36-Terminal Very Thin Thermal Leadless Array Package (TL) – 5x5x0.9 mm Body with Exposed Pad [VTLA]**

**Note:** For the most current package drawings, please see the Microchip Packaging Specification located at <http://www.microchip.com/packaging>



Microchip Technology Drawing C04-187C Sheet 1 of 2

# dsPIC33FJ16(GP/MC)101/102 AND dsPIC33FJ32(GP/MC)101/102/104

## 36-Terminal Very Thin Thermal Leadless Array Package (TL) – 5x5x0.9 mm Body with Exposed Pad [VTLA]

**Note:** For the most current package drawings, please see the Microchip Packaging Specification located at <http://www.microchip.com/packaging>



| Dimension               | Units | MILLIMETERS |      |       |
|-------------------------|-------|-------------|------|-------|
|                         |       | Limits      | MIN  | NOM   |
| Number of Pins          | N     | 36          |      |       |
| Number of Pins per Side | ND    | 10          |      |       |
| Number of Pins per Side | NE    | 8           |      |       |
| Pitch                   | e     | 0.50 BSC    |      |       |
| Overall Height          | A     | 0.80        | 0.90 | 1.00  |
| Standoff                | A1    | 0.025       | -    | 0.075 |
| Overall Width           | E     | 5.00 BSC    |      |       |
| Exposed Pad Width       | E2    | 3.60        | 3.75 | 3.90  |
| Overall Length          | D     | 5.00 BSC    |      |       |
| Exposed Pad Length      | D2    | 3.60        | 3.75 | 3.90  |
| Contact Width           | b     | 0.20        | 0.25 | 0.30  |
| Contact Length          | L     | 0.20        | 0.25 | 0.30  |
| Contact-to-Exposed Pad  | K     | 0.20        | -    | -     |

### Notes:

- Pin 1 visual index feature may vary, but must be located within the hatched area.
- Package is saw singulated.
- Dimensioning and tolerancing per ASME Y14.5M.

BSC: Basic Dimension. Theoretically exact value shown without tolerances.

REF: Reference Dimension, usually without tolerance, for information purposes only.

Microchip Technology Drawing C04-187C Sheet 2 of 2



# dsPIC33FJ16(GP/MC)101/102 AND dsPIC33FJ32(GP/MC)101/102/104

## 44-Lead Plastic Quad Flat, No Lead Package (ML) – 8x8 mm Body [QFN]

**Note:** For the most current package drawings, please see the Microchip Packaging Specification located at <http://www.microchip.com/packaging>



| Dimension Limits       | Units | MILLIMETERS |      |      |
|------------------------|-------|-------------|------|------|
|                        |       | MIN         | NOM  | MAX  |
| Number of Pins         | N     | 44          |      |      |
| Pitch                  | e     | 0.65 BSC    |      |      |
| Overall Height         | A     | 0.80        | 0.90 | 1.00 |
| Standoff               | A1    | 0.00        | 0.02 | 0.05 |
| Contact Thickness      | A3    | 0.20 REF    |      |      |
| Overall Width          | E     | 8.00 BSC    |      |      |
| Exposed Pad Width      | E2    | 6.30        | 6.45 | 6.80 |
| Overall Length         | D     | 8.00 BSC    |      |      |
| Exposed Pad Length     | D2    | 6.30        | 6.45 | 6.80 |
| Contact Width          | b     | 0.25        | 0.30 | 0.38 |
| Contact Length         | L     | 0.30        | 0.40 | 0.50 |
| Contact-to-Exposed Pad | K     | 0.20        | –    | –    |

**Notes:**

- Pin 1 visual index feature may vary, but must be located within the hatched area.
- Package is saw singulated.
- Dimensioning and tolerancing per ASME Y14.5M.

BSC: Basic Dimension. Theoretically exact value shown without tolerances.

REF: Reference Dimension, usually without tolerance, for information purposes only.

Microchip Technology Drawing C04-103B

# dsPIC33FJ16(GP/MC)101/102 AND dsPIC33FJ32(GP/MC)101/102/104

## 44-Lead Plastic Quad Flat, No Lead Package (ML) – 8x8 mm Body [QFN]

**Note:** For the most current package drawings, please see the Microchip Packaging Specification located at <http://www.microchip.com/packaging>



RECOMMENDED LAND PATTERN

| Dimension Limits           | Units | MILLIMETERS |      |      |
|----------------------------|-------|-------------|------|------|
|                            |       | MIN         | NOM  | MAX  |
| Contact Pitch              | E     | 0.65 BSC    |      |      |
| Optional Center Pad Width  | W2    |             |      | 6.80 |
| Optional Center Pad Length | T2    |             |      | 6.80 |
| Contact Pad Spacing        | C1    |             | 8.00 |      |
| Contact Pad Spacing        | C2    |             | 8.00 |      |
| Contact Pad Width (X44)    | X1    |             |      | 0.35 |
| Contact Pad Length (X44)   | Y1    |             |      | 0.80 |
| Distance Between Pads      | G     | 0.25        |      |      |

**Notes:**

1. Dimensioning and tolerancing per ASME Y14.5M

BSC: Basic Dimension. Theoretically exact value shown without tolerances.

Microchip Technology Drawing No. C04-2103A

# dsPIC33FJ16(GP/MC)101/102 AND dsPIC33FJ32(GP/MC)101/102/104

## 44-Lead Plastic Thin Quad Flatpack (PT) – 10x10x1 mm Body, 2.00 mm [TQFP]

**Note:** For the most current package drawings, please see the Microchip Packaging Specification located at <http://www.microchip.com/packaging>



| Dimension Limits         | Units    | MILLIMETERS |      |      |
|--------------------------|----------|-------------|------|------|
|                          |          | MIN         | NOM  | MAX  |
| Number of Leads          | N        | 44          |      |      |
| Lead Pitch               | e        | 0.80 BSC    |      |      |
| Overall Height           | A        | –           | –    | 1.20 |
| Molded Package Thickness | A2       | 0.95        | 1.00 | 1.05 |
| Standoff                 | A1       | 0.05        | –    | 0.15 |
| Foot Length              | L        | 0.45        | 0.60 | 0.75 |
| Footprint                | L1       | 1.00 REF    |      |      |
| Foot Angle               | $\phi$   | 0°          | 3.5° | 7°   |
| Overall Width            | E        | 12.00 BSC   |      |      |
| Overall Length           | D        | 12.00 BSC   |      |      |
| Molded Package Width     | E1       | 10.00 BSC   |      |      |
| Molded Package Length    | D1       | 10.00 BSC   |      |      |
| Lead Thickness           | c        | 0.09        | –    | 0.20 |
| Lead Width               | b        | 0.30        | 0.37 | 0.45 |
| Mold Draft Angle Top     | $\alpha$ | 11°         | 12°  | 13°  |
| Mold Draft Angle Bottom  | $\beta$  | 11°         | 12°  | 13°  |

**Notes:**

- Pin 1 visual index feature may vary, but must be located within the hatched area.
- Chamfers at corners are optional; size may vary.
- Dimensions D1 and E1 do not include mold flash or protrusions. Mold flash or protrusions shall not exceed 0.25 mm per side.
- Dimensioning and tolerancing per ASME Y14.5M.

BSC: Basic Dimension. Theoretically exact value shown without tolerances.

REF: Reference Dimension, usually without tolerance, for information purposes only.

Microchip Technology Drawing C04-076B

# dsPIC33FJ16(GP/MC)101/102 AND dsPIC33FJ32(GP/MC)101/102/104

44-Lead Plastic Thin Quad Flatpack (PT) 10X10X1 mm Body, 2.00 mm Footprint [TQFP]

**Note:** For the most current package drawings, please see the Microchip Packaging Specification located at <http://www.microchip.com/packaging>



RECOMMENDED LAND PATTERN

| Dimension Limits         | Units | MILLIMETERS |       |      |
|--------------------------|-------|-------------|-------|------|
|                          |       | MIN         | NOM   | MAX  |
| Contact Pitch            | E     | 0.80 BSC    |       |      |
| Contact Pad Spacing      | C1    |             | 11.40 |      |
| Contact Pad Spacing      | C2    |             | 11.40 |      |
| Contact Pad Width (X44)  | X1    |             |       | 0.55 |
| Contact Pad Length (X44) | Y1    |             |       | 1.50 |
| Distance Between Pads    | G     | 0.25        |       |      |

**Notes:**

1. Dimensioning and tolerancing per ASME Y14.5M

BSC: Basic Dimension. Theoretically exact value shown without tolerances.

Microchip Technology Drawing No. C04-2076B

**44-Terminal Very Thin Leadless Array Package (TL) – 6x6x0.9 mm Body With Exposed Pad [VTLA]**

**Note:** For the most current package drawings, please see the Microchip Packaging Specification located at <http://www.microchip.com/packaging>



Microchip Technology Drawing C04-157C Sheet 1 of 2

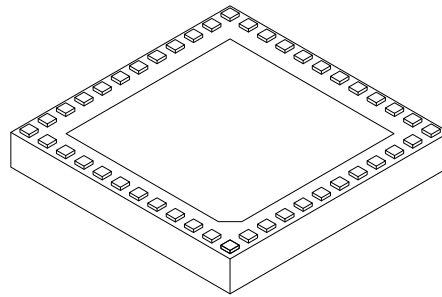
# dsPIC33FJ16(GP/MC)101/102 AND dsPIC33FJ32(GP/MC)101/102/104

## 44-Terminal Very Thin Leadless Array Package (TL) – 6x6x0.9 mm Body With Exposed Pad [VTLA]

**Note:** For the most current package drawings, please see the Microchip Packaging Specification located at <http://www.microchip.com/packaging>



DETAIL A



| Dimension               | Units  | MILLIMETERS |      |       |
|-------------------------|--------|-------------|------|-------|
|                         | Limits | MIN         | NOM  | MAX   |
| Number of Pins          | N      | 44          |      |       |
| Number of Pins per Side | ND     | 12          |      |       |
| Number of Pins per Side | NE     | 10          |      |       |
| Pitch                   | e      | 0.50 BSC    |      |       |
| Overall Height          | A      | 0.80        | 0.90 | 1.00  |
| Standoff                | A1     | 0.025       | -    | 0.075 |
| Overall Width           | E      | 6.00 BSC    |      |       |
| Exposed Pad Width       | E2     | 4.40        | 4.55 | 4.70  |
| Overall Length          | D      | 6.00 BSC    |      |       |
| Exposed Pad Length      | D2     | 4.40        | 4.55 | 4.70  |
| Contact Width           | b      | 0.20        | 0.25 | 0.30  |
| Contact Length          | L      | 0.20        | 0.25 | 0.30  |
| Contact-to-Exposed Pad  | K      | 0.20        | -    | -     |

**Notes:**

- Pin 1 visual index feature may vary, but must be located within the hatched area.
- Package is saw singulated.
- Dimensioning and tolerancing per ASME Y14.5M.  
BSC: Basic Dimension. Theoretically exact value shown without tolerances.  
REF: Reference Dimension, usually without tolerance, for information purposes only.

Microchip Technology Drawing C04-157C Sheet 2 of 2

**APPENDIX A: REVISION HISTORY**

**Revision A (January 2011)**

This is the initial released version of the document.

**Revision B (February 2011)**

All major changes are referenced by their respective section in [Table A-1](#).

In addition, minor text and formatting changes were incorporated throughout the document.

**TABLE A-1: MAJOR SECTION UPDATES**

| Section Name  | Update Description  |
|---|---|
| <b>High-Performance, Ultra Low Cost 16-bit Digital Signal Controllers</b> | Pin diagram updates (see “ <b>Pin Diagrams</b> ”): <ul style="list-style-type: none"> <li>• 20-pin PDIP/SOIC/SSOP (dsPIC33FJ16MC101):<br/>Removed the <math>\overline{\text{FLTB1}}</math> pin from pin 10</li> <li>• 28-pin SPDIP/SOIC/SSOP (dsPIC33FJ16MC102):<br/>Relocated the <math>\overline{\text{FLTB1}}</math> pin from pin 12 to pin 14;<br/>relocated the <math>\overline{\text{FLTA1}}</math> pin from pin 16 to pin 15</li> <li>• 28-pin QFN (dsPIC33FJ16MC102):<br/>Relocated the <math>\overline{\text{FLTA1}}</math> pin from pin 13 to pin 12;<br/>relocated the <math>\overline{\text{FLTB1}}</math> pin from pin 9 to pin 11</li> <li>• 36-pin TLA (dsPIC33FJ16MC102):<br/>Relocated the <math>\overline{\text{FLTA1}}</math> pin from pin 17 to pin 16;<br/>relocated the <math>\overline{\text{FLTB1}}</math> pin from pin 10 to pin 15</li> </ul> |
| <b>Section 1.0 “Device Overview”</b>                                      | Added Notes 1, 2, and 3 regarding the $\overline{\text{FLTA1}}$ and $\overline{\text{FLTB1}}$ pins to the Pinout I/O Descriptions (see Table 1-1).<br><br>Added <b>Section “”</b> .   |
| <b>Section 4.0 “Memory Organization”</b>                                  | Updated All Resets value for PxFLTA $\overline{\text{CON}}$ and PxFLTB $\overline{\text{CON}}$ to the 6-Output PWM1 Register Map (see Table 4-9).<br><br>Added Note 1 to the PMD Register Map (see Table 4-29).   |
| <b>Section 6.0 “Resets”</b>   | Removed Reset timing sequence information from <b>Section 6.2 “System Reset”</b> , as this information is provided in Figure 6-2.   |
| <b>Section 15.0 “Motor Control PWM Module”</b>                            | Added Note 2 and Note 3 regarding the $\overline{\text{FLTA1}}$ and $\overline{\text{FLTB1}}$ pins to the 6-channel PWM Module Block Diagram (see Figure 15-1).<br><br>Added <b>Section 15.2 “PWM Faults”</b> and <b>Section 15.3 “Write-protected Registers”</b> .<br><br>Added Note 2 and Note 3 regarding the $\overline{\text{FLTA1}}$ and $\overline{\text{FLTB1}}$ pins to the note boxes located below the PxFLTA $\overline{\text{CON}}$ and PxFLTB $\overline{\text{CON}}$ registers (see Register 15-9 and Register 15-10).   |
| <b>Section 17.0 “Inter-Integrated Circuit™ (I<sup>2</sup>C™)”</b>         | Updated the descriptions for the conditional If STREN = 1 and If STREN = 0 statements for the SCLREL bit in the I2Cx Control Register (see Register 17-1).  |
| <b>Section 23.0 “Special Features”</b>                                    | Added the RTSP Effect column to the dsPIC33F Configuration Bits Description (see Table 23-3).   |
| <b>Section 26.0 “Electrical Characteristics”</b>                          | Added Parameters 300 and D305 (see Table 26-42 and Table 26-43).  |
| <b>Section 27.0 “Packaging Information”</b>                               | Modified the pending TLA packaging page.  |

## Revision C (June 2011)

This revision includes the following global update:

- All JTAG references have been removed

All other major changes are referenced by their respective section in [Table A-2](#).

In addition, minor text and formatting changes were incorporated throughout the document.

**TABLE A-2: MAJOR SECTION UPDATES**

| Section Name  | Update Description  |
|---|---|
| <b>High-Performance, Ultra Low Cost 16-bit Digital Signal Controllers</b> | The TMS, TDI, TDO, and TCK pin names were removed from these pin diagrams: <ul style="list-style-type: none"> <li>• 28-pin SPDIP/SOIC/SSOP</li> <li>• 28-pin QFN</li> <li>• 36-pin TLA</li> </ul>   |
| <b>Section 1.0 “Device Overview”</b>                                      | Updated the Buffer Type to Digital for the CTED1 and CTED2 pins (see Table 1-1).  |
| <b>Section 4.0 “Memory Organization”</b>                                  | Updated the SFR Address for IC2CON, IC3BUF, and IC3CON in the Input Capture Register Map (see Table 4-7).<br><br>Added the VREGS bit to the RCON register in the System Control Register Map (see Table 4-27).  |
| <b>Section 6.0 “Resets”</b>   | Added the VREGS bit to the RCON register (see Register 6-1).  |
| <b>Section 8.0 “Oscillator Configuration”</b>                             | Updated the definition for COSC<2:0> = 001 and NOSC<2:0> = 001 in the OSCCON register (see Register 8-1).   |
| <b>Section 15.0 “Motor Control PWM Module”</b>                            | Updated the title for Example 15-1 to include a reference to the Assembly language.<br><br>Added Example 15-2, which provides a C code version of the write-protected register unlock and Fault clearing sequence.  |
| <b>Section 19.0 “10-bit Analog-to-Digital Converter (ADC)”</b>            | Updated the CH0 section and added Note 2 in both ADC block diagrams (see Figure 19-1 and Figure 19-2).<br><br>Updated the multiplexer values in the ADC Conversion Clock Period Block Diagram (see Figure 19-3).<br><br>Added the 01110 bit definitions and updated the 01101 bit definitions for the CH0SB<4:0> and CH0SA<4:0> bits in the AD1CHS0 register (see Register 19-5). |
| <b>Section 22.0 “Charge Time Measurement Unit (CTMU)”</b>                 | Removed Section 22.1 “Measuring Capacitance”, Section 22.2 “Measuring Time”, and Section 22.3 “Pulse Generation and Delay”<br><br>Updated the key features.<br><br>Added the CTMU Block Diagram (see Figure 22-1).<br><br>Updated the ITRIM<5:0> bit definitions and added Note 1 to the CTMU Current Control register (see Register 22-3).                                       |



**TABLE A-2: MAJOR SECTION UPDATES (CONTINUED)**

| Section Name                                     | Update Description  |
|--|---|
| <b>Section 23.0 “Special Features”</b>           | <p>Updated bits 5 and 4 of FPOR, modified Note 2, and removed Note 3 from the Configuration Shadow Register Map (see Table 23-1).</p> <p>Updated bit 14 of CONFIG1 and removed Note 5 from the Configuration Flash Words (see Table 23-2).</p> <p>Updated the PLLKEN Configuration bit description (see Table 23-3).</p> <p>Added Note 3 to Connections for the On-Chip Voltage Regulator (see Figure 23-1).</p>  |
| <b>Section 26.0 “Electrical Characteristics”</b> | <p>Updated the Standard Operating Conditions to: 3.0V to 3.6V in all tables.</p> <p>Removed the Voltage on VCAP with respect to VSS entry in Absolute Maximum Ratings<sup>(1)</sup>.</p> <p>Updated the VDD Range (in Volts) in Operating MIPS vs. Voltage (see Table 26-1).</p> <p>Removed Parameter DC18 and updated the minimum value for Parameter DC 10 in the DC Temperature and Voltage Specifications (see Table 26-4).</p> <p>Updated the Characteristic definition and the Typical value for Parameter BO10 in Electrical Characteristics: BOR (see Table 26-5).</p> <p>Updated Note 2 in the DC Characteristics: Operating Current (IDD) (see Table 26-6).</p> <p>Updated Note 2 in the DC Characteristics: Idle Current (IDLE) (see Table 26-7).</p> <p>Updated Note 2 and Parameters DC60C and DC61a-DC61d in the DC Characteristics: Power-Down Current (IPD) (see Table 26-8).</p> <p>Updated Note 2 in the DC Characteristics: Doze Current (IDOZE) (see Table 26-9).</p> <p>Added Note 1 to the Internal Voltage Regulator Specifications (see Table 26-13).</p> <p>Updated the Minimum and Maximum values for Parameter F20a and the Typical value for Parameter F20b in AC Characteristics: Internal Fast RC (FRC) Accuracy (see Table 26-18).</p> <p>Updated the Minimum, Typical, and Maximum values for Parameter F21a and F21b in Internal Low-Power RC (LPRC) Accuracy (see Table 26-19).</p> <p>Updated the Minimum, Typical, and Maximum values for Parameter D305 in the Comparator Module Specifications (see Table 26-43).</p> <p>Added Parameters CTMUFV1 and CTMUFV2 and updated Note 1 and the Conditions for all parameters in the CTMU Current Source Specifications (see Table 26-46).</p> <p>Added Forward Voltage Versus Temperature (see Figure 26-25).</p> |

# dsPIC33FJ16(GP/MC)101/102 AND dsPIC33FJ32(GP/MC)101/102/104

## Revision D (April 2012)

This revision includes updates in support of the following new devices:

- dsPIC33FJ32GP101
- dsPIC33FJ32GP102
- dsPIC33FJ32GP104
- dsPIC33FJ32MC101
- dsPIC33FJ32MC102
- dsPIC33FJ32MC104

Also, where applicable, new sections were added to peripheral chapters that provide information and links to the related resources, as well as helpful tips. For examples, see [Section 18.1 “UART Helpful Tips”](#) and [Section 18.2 “UART Resources”](#).

This revision includes text and formatting changes that were incorporated throughout the document.

All other major changes are referenced by their respective section in [Table A-3](#).

**TABLE A-3: MAJOR SECTION UPDATES**

| Section Name  | Update Description   |
|---|--|
| <a href="#">“16-Bit Digital Signal Controllers (up to 32-Kbyte Flash and 2-Kbyte SRAM)”</a>         | <p>The content on the first page of this section was extensively reworked to provide the reader with the key features and functionality of this device family in an “at-a-glance” format.</p> <p><a href="#">TABLE 2: “dsPIC33FJ32(GP/MC)101/102/104 Device Features”</a> was added, which provides a feature overview of the new devices.</p> <p>All pin diagrams were updated (see <a href="#">“Pin Diagrams”</a>).</p>  |
| <a href="#">Section 1.0 “Device Overview”</a>   | <p>Updated the notes in the device family block diagram (see <a href="#">Figure 1-1</a>).</p> <p>Updated the following pinout I/O descriptions (<a href="#">Table 1-1</a>):</p> <ul style="list-style-type: none"> <li>• ANx</li> <li>• CNx</li> <li>• RAx</li> <li>• RCx</li> <li>• CVREFIN (formerly CVREF)</li> </ul> <p>Relocated <a href="#">1.1 “Referenced Sources”</a> to the previous chapter (see <a href="#">“Referenced Sources”</a>).</p>   |
| <a href="#">Section 2.0 “Guidelines for Getting Started with 16-bit Digital Signal Controllers”</a> | <p>Updated the Recommended Minimum Connection diagram (see <a href="#">Figure 2-1</a>).</p>  |
| <a href="#">Section 4.0 “Memory Organization”</a>   | <p>Updated the existing Program Memory Map (see <a href="#">Figure 4-1</a>) and added the Program Memory Map for dsPIC33FJ16(GP/MC)101/102 Devices (see <a href="#">Figure 4-1</a>).</p> <p>Updated the existing Data Memory Map (see <a href="#">Figure 4-4</a>) and added the Data Memory Map for dsPIC33FJ32(GP/MC)101/102/104 Devices with 2-Kbyte RAM (see <a href="#">Figure 4-5</a>).</p> <p>The following Special Function Register maps were updated or added:</p> <ul style="list-style-type: none"> <li>• <a href="#">TABLE 4-5: Change Notification Register Map for dsPIC33FJ32(GP/MC)104 Devices</a></li> <li>• <a href="#">TABLE 4-6: Interrupt Controller Register Map</a></li> <li>• <a href="#">TABLE 4-8: Timers Register Map for dsPIC33FJ32(GP/MC)10X Devices</a></li> <li>• <a href="#">TABLE 4-15: ADC1 Register Map for dsPIC33FJXX(GP/MC)101 Devices</a></li> <li>• <a href="#">TABLE 4-17: ADC1 Register Map for dsPIC33FJ32(GP/MC)104 Devices</a></li> <li>• <a href="#">TABLE 4-22: Peripheral Pin Select Input Register Map</a></li> <li>• <a href="#">TABLE 4-26: Peripheral Pin Select Output Register Map for dsPIC33FJ32(GP/MC)104 Devices</a></li> <li>• <a href="#">TABLE 4-28: PORTA Register Map for dsPIC33FJ32(GP/MC)101/102 Devices</a></li> <li>• <a href="#">TABLE 4-29: PORTA Register Map for dsPIC33FJ32(GP/MC)104 Devices</a></li> <li>• <a href="#">TABLE 4-36: PORTC Register Map for dsPIC33FJ32(GP/MC)104 Devices</a></li> <li>• <a href="#">TABLE 4-39: PMD Register Map</a></li> </ul> |

**TABLE A-3: MAJOR SECTION UPDATES (CONTINUED)**

| Section Name   | Update Description  |
|--|---|
| <b>Section 7.0 “Interrupt Controller”</b>                      | <p>Updated the Interrupt Vectors (see <a href="#">Table 7-1</a>).</p> <p>The following registers were updated or added:</p> <ul style="list-style-type: none"> <li>• <a href="#">Register 7-5: IFS0: Interrupt Flag Status Register 0</a></li> <li>• <a href="#">Register 7-11: IEC1: Interrupt Enable Control Register 1</a></li> <li>• <a href="#">Register 7-21: IPC6: Interrupt Priority Control Register 6</a></li> </ul>  |
| <b>Section 9.0 “Power-Saving Features”</b>                     | <p>Updated <a href="#">9.5 PMD Control Registers</a>.</p>   |
| <b>Section 10.0 “I/O Ports”</b>                                | <p>Updated <a href="#">TABLE 10-1: Selectable Input Sources (Maps Input to Function)<sup>(1)</sup></a>.</p> <p>Updated <a href="#">TABLE 10-2: Output Selection for Remappable Pin (RPn)</a></p> <p>The following registers were updated or added:</p> <ul style="list-style-type: none"> <li>• <a href="#">Register 10-4: RPINR4: Peripheral Pin Select Input Register 4</a></li> <li>• <a href="#">Register 10-6: RPINR8: Peripheral Pin Select Input Register 8</a></li> <li>• <a href="#">Register 10-19: RPOR8: Peripheral Pin Select Output Register 8</a></li> <li>• <a href="#">Register 10-20: RPOR9: Peripheral Pin Select Output Register 9</a></li> <li>• <a href="#">Register 10-21: RPOR10: Peripheral Pin Select Output Register 10</a></li> <li>• <a href="#">Register 10-22: RPOR11: Peripheral Pin Select Output Register 11</a></li> <li>• <a href="#">Register 10-23: RPOR12: Peripheral Pin Select Output Register 12</a></li> </ul> |
| <b>Section 12.0 “Timer2/3 and Timer4/5”</b>                    | <p>The features and operation information was extensively updated in support of Timer4/5 (see <a href="#">Section 12.1 “32-Bit Operation”</a> and <a href="#">Section 12.2 “16-Bit Operation”</a>).</p> <p>The block diagrams were updated in support of the new timers (see <a href="#">Figure 12-1</a>, <a href="#">Figure 12-2</a>, and <a href="#">Figure 12-3</a>).</p> <p>The following registers were added:</p> <ul style="list-style-type: none"> <li>• <a href="#">Register 12-3: T4CON Control Register(1)</a></li> <li>• <a href="#">Register 12-4: T5CON Control Register(1)</a></li> </ul>  |
| <b>Section 15.0 “Motor Control PWM Module”</b>                 | <p>Updated <a href="#">TABLE 15-1: Internal Pull-down resistors on PWM Fault pins</a>.</p> <p>Note 2 was added to <a href="#">Register 15-5: PWMXCON1: PWMx Control Register 1<sup>(1)</sup></a>.</p>   |
| <b>Section 19.0 “10-Bit Analog-to-Digital Converter (ADC)”</b> | <p>The number of available input pins and channels were updated from six to 14.</p> <p>Updated <a href="#">FIGURE 19-1: ADC1 Block Diagram for dsPIC33FJXX(GP/MC)101 Devices</a>.</p> <p>Updated <a href="#">FIGURE 19-2: ADC1 Block Diagram for dsPIC33FJXX(GP/MC)102 Devices</a>.</p> <p>Added <a href="#">FIGURE 19-3: ADC1 Block Diagram for dsPIC33FJ32(GP/MC)104 Devices</a>.</p> <p>The following registers were updated:</p> <ul style="list-style-type: none"> <li>• <a href="#">Register 19-4: AD1CHS123: ADC1 Input Channel 1, 2, 3 Select Register</a></li> <li>• <a href="#">Register 19-5: AD1CHS0: ADC1 INPUT Channel 0 select Register</a></li> <li>• <a href="#">Register 19-6: AD1CSSL: ADC1 Input Scan Select Register Low<sup>(1,2,3)</sup></a></li> <li>• <a href="#">Register 19-7: AD1PCFGL: ADC1 Port Configuration Register Low<sup>(1,2,3)</sup></a></li> </ul>   |

**TABLE A-3: MAJOR SECTION UPDATES (CONTINUED)**

| Section Name                                     | Update Description  |
|--|---|
| <b>Section 26.0 “Electrical Characteristics”</b> | Updated the Absolute Maximum Ratings.<br>Updated <a href="#">TABLE 26-3: Thermal Packaging Characteristics</a> .<br>Updated <a href="#">TABLE 26-6: DC Characteristics: Operating Current (I<sub>dd</sub>)</a> .<br>Updated <a href="#">TABLE 26-7: DC Characteristics: Idle Current (I<sub>idle</sub>)</a> .<br>Updated <a href="#">TABLE 26-8: DC Characteristics: Power-Down Current (I<sub>pd</sub>)</a> .<br>Updated <a href="#">TABLE 26-9: DC Characteristics: Doze Current (I<sub>doze</sub>)</a> .<br>Updated <a href="#">TABLE 26-10: DC Characteristics: I/O Pin Input Specifications</a> .<br>Replaced all SPI specifications and figures (see <a href="#">Table 26-29</a> through <a href="#">Table 26-44</a> and <a href="#">Figure 26-11</a> through <a href="#">Figure 26-26</a> ). |
| <b>Section 27.0 “Packaging Information”</b>      | Added the following Package Marking Information and Package Drawings: <ul style="list-style-type: none"><li>• 44-Lead TQFP</li><li>• 44-Lead QFN</li><li>• 44-Lead VTLA (referred to as TLA in the package drawings)</li></ul>  |

## Revision E (September 2012)

This revision includes updates to the values in [Section 26.0 “Electrical Characteristics”](#) and updated packaging diagrams in [Section 27.0 “Packaging Information”](#). There are minor text edits throughout the document.

NOTES:

## INDEX

### A

|   |     |
|---|-----|
| Absolute Maximum Ratings .....                | 279 |
| AC Characteristics .....                      | 292 |
| 10-Bit ADC Specifications .....               | 331 |
| ADC Specifications .....                      | 330 |
| Internal Fast RC (FRC) Accuracy .....         | 294 |
| Internal Low-Power RC (LPRC) Accuracy .....   | 294 |
| Load Conditions .....                         | 292 |
| Temperature and Voltage Specifications .....  | 292 |
| ADC .....                                     |     |
| Control Registers .....                       | 220 |
| Helpful Tips .....                            | 219 |
| Initialization .....                          | 215 |
| Key Features .....                            | 215 |
| Resources .....                               | 219 |
| Alternate Interrupt Vector Table (AIVT) ..... | 95  |
| Analog-to-Digital Converter (ADC) .....       | 215 |
| Arithmetic Logic Unit (ALU) .....             | 43  |
| Assembler .....                               |     |
| MPASM Assembler .....                         | 276 |

### B

|  |     |
|--|-----|
| Bit-Reversed Addressing .....                    | 77  |
| Example .....                                    | 78  |
| Implementation .....                             | 77  |
| Sequence Table (16-Entry) .....                  | 78  |
| Block Diagrams .....                             |     |
| 16-Bit Timer1 Module .....                       | 163 |
| 6-Channel PWM Module (PWM1) .....                | 180 |
| ADC Conversion Clock Period .....                | 219 |
| ADC1 for dsPIC33FJ32(GP/MC)104 Devices .....     | 218 |
| ADC1 for dsPIC33FJXX(GP/MC)101 Devices .....     | 216 |
| ADC1 for dsPIC33FJXX(GP/MC)102 Devices .....     | 217 |
| Comparator I/O Operating Modes .....             | 229 |
| Comparator Voltage Reference .....               | 230 |
| Connections for On-Chip Voltage Regulator .....  | 264 |
| CTMU Module .....                                | 254 |
| Digital Filter Interconnect .....                | 231 |
| DSP Engine .....                                 | 44  |
| dsPIC33FJXX(GP/MC)10X .....                      | 28  |
| dsPIC33FJXX(GP/MC)10X CPU Core .....             | 38  |
| I <sup>2</sup> C Module .....                    | 202 |
| Input Capture .....                              | 173 |
| Multiplexing of Remappable Output for RPN .....  | 143 |
| Oscillator System .....                          | 125 |
| Output Compare Module .....                      | 175 |
| Real-Time Clock and Calendar (RTCC) Module ..... | 241 |
| Remappable MUX Input for U1RX .....              | 142 |
| Reset System .....                               | 87  |
| Shared Port Structure .....                      | 140 |
| SPIx Module .....                                | 195 |
| Timer2 and Timer4 (16-Bit) .....                 | 167 |
| Timer2/3 and Timer4/5 (32-Bit) .....             | 166 |
| Timer3 and Timer5 (16-Bit) .....                 | 167 |
| UART Simplified .....                            | 209 |
| User-Programmable Blanking Function .....        | 230 |
| Watchdog Timer (WDT) .....                       | 265 |
| Brown-out Reset (BOR) .....                      | 264 |

### C

|   |     |
|---|-----|
| C Compilers .....   |     |
| MPLAB C18 .....   | 276 |
| Charge Time Measurement Unit. See CTMU.   |     |
| Clock Switching .....   | 132 |
| Enabling .....  | 132 |
| Sequence .....  | 132 |
| Code Examples .....   |     |
| Assembly Code for Write-Protected Register<br>Unlock, Fault Clearing Sequence ..... | 182 |
| C Code for Write-Protected Register Unlock,<br>Fault Clearing Sequence .....        | 182 |
| Port Write/Read .....   | 141 |
| PWRSAV Instruction Syntax .....   | 133 |
| Setting the RTCWREN Bit .....   | 242 |
| Comparator .....  | 229 |
| Control Registers .....   | 232 |
| Configuration Bits .....  | 259 |
| CPU .....   |     |
| Barrel Shifter .....  | 47  |
| Control Registers .....   | 40  |
| CPU Clocking System .....   | 126 |
| Clock Selection .....   | 126 |
| Clock Sources .....   | 126 |
| Configuration Bit Values for Clock Selection .....                                  | 127 |
| PLL Configuration .....   | 127 |
| CTMU .....  |     |
| Control Registers .....   | 255 |
| Customer Change Notification Service .....  | 380 |
| Customer Notification Service .....   | 380 |
| Customer Support .....  | 380 |
| <b>D</b> .....  |     |
| Data Accumulators and Adder/Subtractor .....  | 45  |
| Data Space Write Saturation .....   | 47  |
| Overflow and Saturation .....   | 45  |
| Round Logic .....   | 46  |
| Write Back .....  | 46  |
| Data Address Space .....  | 52  |
| Alignment .....   | 52  |
| Memory Map for dsPIC33FJ16(GP/MC)101/102<br>Devices with 1-Kbyte RAM .....          | 53  |
| Memory Map for dsPIC33FJ32(GP/MC)101/102/104<br>Devices with 1-Kbyte RAM .....      | 54  |
| Near Data Space .....   | 52  |
| Software Stack .....  | 73  |
| Width .....   | 52  |
| DC Characteristics .....  | 280 |
| Brown-out Reset (BOR) .....   | 281 |
| Doze Current (IDOZE) .....  | 287 |
| I/O Pin Input Specifications .....  | 288 |
| I/O Pin Output Specifications .....   | 290 |
| Idle Current (IDLE) .....   | 284 |
| Operating Current (IDD) .....   | 282 |
| Operating MIPS vs. Voltage .....  | 280 |
| Power-Down Current (IPD) .....  | 286 |
| Program Memory .....  | 291 |
| Temperature and Voltage Specifications .....  | 281 |
| Thermal Operating Conditions .....  | 280 |
| Thermal Packaging .....   | 280 |

# dsPIC33FJ16(GP/MC)101/102 AND dsPIC33FJ32(GP/MC)101/102/104

|   |     |  |               |
|---|-----|--|---------------|
| Development Support .....                 | 275 | Interrupt Setup Procedures.....                          | 124           |
| Doze Mode.....                            | 134 | Initialization.....                                      | 124           |
| DSP Engine.....                           | 43  | Interrupt Disable .....                                  | 124           |
| Multiplier.....                           | 45  | Interrupt Service Routine (ISR).....                     | 124           |
| dsPIC33FJ16(GP/MC)101/102                 |     | Trap Service Routine (TSR) .....                         | 124           |
| Device Features.....                      | 2   | Interrupt Vector Table (IVT).....                        | 95            |
| dsPIC33FJ32(GP/MC)101/102/104             |     | Interrupts Coincident with Power Save Instructions ..... | 134           |
| Device Features.....                      | 3   |  |               |
| <b>E</b>                                  |     | <b>L</b>   |               |
| Electrical Characteristics.....           | 279 | LPRC Oscillator  |               |
| AC.....                                   | 292 | Use with WDT.....  | 265           |
| Equations                                 |     | <b>M</b>   |               |
| Device Operating Frequency .....          | 126 | Memory Organization .....                                | 49            |
| MS with PLL Mode.....                     | 127 | Microchip Internet Web Site.....                         | 380           |
| Errata .....                              | 24  | Modulo Addressing .....                                  | 75            |
| <b>F</b>                                  |     | Applicability.....                                       | 77            |
| Flash Program Memory.....                 | 83  | Operation Example .....                                  | 76            |
| Control Registers.....                    | 85  | Start and End Address .....                              | 75            |
| Operations .....                          | 84  | W Address Register Selection .....                       | 75            |
| Programming Algorithm .....               | 84  | Motor Control PWM .....                                  | 179           |
| RTSP Operation.....                       | 84  | Control Registers.....                                   | 183           |
| Table Instructions.....                   | 83  | Faults.....  | 181           |
| <b>I</b>                                  |     | At Reset.....  | 181           |
| I/O Ports.....                            | 139 | PWM1 6-Channel Module.....                               | 179           |
| Configuring Analog Port Pins.....         | 141 | Write-Protected Registers.....                           | 181           |
| Open-Drain Configuration .....            | 141 | MPLAB ASM30 Assembler, Linker, Librarian .....           | 276           |
| Parallel I/O (PIO).....                   | 139 | MPLAB Integrated Development Environment                 |               |
| Write/Read Timing .....                   | 141 | Software .....   | 275           |
| i <sup>2</sup> C                          |     | MPLAB PM3 Device Programmer .....                        | 278           |
| Control Registers.....                    | 203 | MPLAB REAL ICE In-Circuit Emulator System .....          | 277           |
| Operating Modes .....                     | 201 | MPLINK Object Linker/MPLIB Object Librarian .....        | 276           |
| Registers.....                            | 201 | <b>O</b>   |               |
| In-Circuit Debugger.....                  | 266 | Output Compare .....                                     | 175           |
| In-Circuit Serial Programming (ICSP)..... | 266 | Modes.....   | 176           |
| Input Capture .....                       | 173 | Active-High One-Shot.....                                | 176           |
| Registers.....                            | 174 | Active-Low One-Shot.....                                 | 176           |
| Input Change Notification (ICN).....      | 141 | Continuous Pulse .....                                   | 176           |
| Instruction Addressing Modes.....         | 73  | Delayed One-Shot.....                                    | 176           |
| File Register Instructions .....          | 73  | Module Disabled.....                                     | 176           |
| Fundamental Modes Supported.....          | 74  | PWM with Fault Protection .....                          | 176           |
| MAC Instructions.....                     | 74  | PWM without Fault Protection .....                       | 176           |
| MCU Instructions .....                    | 73  | Toggle.....  | 176           |
| Move and Accumulator Instructions.....    | 74  | <b>P</b>   |               |
| Other Instructions.....                   | 74  | Packaging .....  | 337           |
| Instruction Set                           |     | Details.....   | 340           |
| Summary.....                              | 267 | Marking.....   | 337, 338, 339 |
| Overview .....                            | 270 | Peripheral Module Disable (PMD) .....                    | 134           |
| Symbols Used in Opcode Descriptions.....  | 268 | Peripheral Pin Select (PPS).....                         | 142           |
| Instruction-Based Power-Saving Modes..... | 133 | Available Pins .....                                     | 142           |
| Idle.....                                 | 134 | Controlling .....  | 142           |
| Sleep.....                                | 133 | Controlling Configuration Changes.....                   | 144           |
| Internet Address.....                     | 380 | Helpful Tips.....  | 145           |
| Interrupt Controller                      |     | I/O Resources.....                                       | 145           |
| Interrupt Registers                       |     | Input Selection Sources for Remappable                   |               |
| IECx.....                                 | 98  | Pin (RPn).....   | 143           |
| IFSx.....                                 | 98  | Output Selection Sources for Remappable                  |               |
| INTCON1 .....                             | 98  | Pin (RPn).....   | 144           |
| INTCON2 .....                             | 98  | Registers .....  | 146           |
| INTTREG .....                             | 98  | Pin Diagrams .....                                       | 4             |
| IPCx.....                                 | 98  | Pinout I/O Descriptions (table).....                     | 29            |
| Reset Sequence .....                      | 95  |  |               |



# dsPIC33FJ16(GP/MC)101/102 AND dsPIC33FJ32(GP/MC)101/102/104

|   |        |  |          |
|---|--------|--|----------|
| PORTA   |        | Real-Time Clock and Calendar .....           | 66       |
| Register Map .....                              | 70     | SPI1 .....                                   | 62       |
| Power-Saving Features .....                     | 133    | System Control .....                         | 72       |
| Clock Frequency and Switching .....             | 133    | Timers, dsPIC33FJ16(GP/MC)10X Devices .....  | 60       |
| Program Address Space .....                     | 49     | Timers, dsPIC33FJ32(GP/MC)10X Devices .....  | 60       |
| Construction .....                              | 79     | UART1 .....                                  | 62       |
| Data Access from Program Memory Using           |        | Registers                                    |          |
| Program Space Visibility .....                  | 82     | AD1CHS0 (ADC1 Input Channel 0 Select) .....  | 225      |
| Data Access from Program Memory Using           |        | AD1CHS123 (ADC1 Input Channel 1, 2, 3        |          |
| Table Instructions .....                        | 81     | Select) .....                                | 224      |
| Data Access from, Address Generation .....      | 80     | AD1CON1 (ADC1 Control 1) .....               | 220      |
| Memory Map                                      |        | AD1CON2 (ADC1 Control 2) .....               | 222      |
| dsPIC33FJ16(GP/MC)101/102 Devices .....         | 49     | AD1CON3 (ADC1 Control 3) .....               | 223      |
| dsPIC33FJ32(GP/MC)101/102/104 Devices .....     | 50     | AD1CSSL (ADC1 Input Scan Select Low) .....   | 226      |
| Table Read Instructions                         |        | AD1PCFGL (ADC1 Port Configuration Low) ..... | 227      |
| TBLRDH .....                                    | 81     | ALCFGRPT (Alarm Configuration) .....         | 246      |
| TBLRDL .....                                    | 81     | ALRMVAL (Alarm Minutes and Seconds Value,    |          |
| Visibility Operation .....                      | 82     | ALRMPTR Bits = 00) .....                     | 252      |
| Program Memory                                  |        | ALRMVAL (Alarm Month and Day Value,          |          |
| Interrupt Vector .....                          | 51     | ALRMPTR Bits = 10) .....                     | 250, 251 |
| Organization .....                              | 51     | ALRMVAL (Alarm Weekday and Hours Value,      |          |
| Reset Vector .....                              | 51     | ALRMPTR Bits = 01) .....                     | 251      |
| Programmer's Model .....                        | 39     | CLKDIV (Clock Divisor) .....                 | 130      |
| <b>R</b>  |        | CMSTAT (Comparator Status) .....             | 232      |
| Reader Response .....                           | 381    | CMxCON (Comparator x Control) .....          | 233      |
| Real-Time Clock and Calendar (RTCC) .....       | 241    | CMxFLTR (Comparator x Filter Control) .....  | 239      |
| Register Maps                                   |        | CMxMSKCON (Comparator x Mask                 |          |
| 6-Output PWM1, dsPIC33FJXXMC10X Devices .....   | 61     | Gating Control) .....                        | 237      |
| ADC1, dsPIC33FJ32(GP/MC)104 Devices .....       | 65     | CMxMSKSR (Comparator x Mask                  |          |
| ADC1, dsPIC33FJXX(GP/MC)101 Devices .....       | 63     | Source Select) .....                         | 235      |
| ADC1, dsPIC33FJXX(GP/MC)102 Devices .....       | 64     | CORCON (Core Control) .....                  | 42, 99   |
| Change Notification, dsPIC33FJ32(GP/MC)104      |        | CTMUCON1 (CTMU Control 1) .....              | 255      |
| Devices .....                                   | 58     | CTMUCON2 (CTMU Control 2) .....              | 256      |
| Change Notification, dsPIC33FJXX(GP/MC)102      |        | CTMUICON (CTMU Current Control) .....        | 257      |
| Devices .....                                   | 58     | CVRCON (Comparator Voltage Reference         |          |
| Change Notification, dsPIC33FJXXGP101           |        | Control) .....                               | 240      |
| Devices .....                                   | 58     | DEVID (Device ID) .....                      | 263      |
| Change Notification, dsPIC33FJXXMC101           |        | DEVREV (Device Revision) .....               | 263      |
| Devices .....                                   | 58     | I2CxCON (I2Cx Control) .....                 | 203      |
| Comparator .....                                | 67     | I2CxMSK (I2Cx Slave Mode Address Mask) ..... | 207      |
| Configuration Flash Words                       |        | I2CxSTAT (I2Cx Status) .....                 | 205      |
| dsPIC33FJ16(GP/MC)10X Devices .....             | 260    | ICxCON (Input Capture x Control) .....       | 174      |
| dsPIC33FJ32(GP/MC)10X Devices .....             | 260    | IEC0 (Interrupt Enable Control 0) .....      | 108      |
| Configuration Shadow Registers .....            | 260    | IEC1 (Interrupt Enable Control 1) .....      | 109      |
| CPU Core .....                                  | 56     | IEC2 (Interrupt Enable Control 2) .....      | 110      |
| CTMU .....                                      | 66     | IEC3 (Interrupt Enable Control 3) .....      | 110      |
| I2C1 .....                                      | 62     | IEC4 (Interrupt Enable Control 4) .....      | 111      |
| Input Capture .....                             | 61     | IFS0 (Interrupt Flag Status 0) .....         | 103      |
| Interrupt Controller .....                      | 59     | IFS1 (Interrupt Flag Status 1) .....         | 105      |
| NVM .....                                       | 72     | IFS2 (Interrupt Flag Status 2) .....         | 106      |
| Output Compare .....                            | 61     | IFS3 (Interrupt Flag Status 3) .....         | 106      |
| PAD Configuration .....                         | 66     | IFS4 (Interrupt Flag Status 4) .....         | 107      |
| PMD .....                                       | 72     | INTCON1 (Interrupt Control 1) .....          | 100      |
| PORTA, dsPIC33FJ32(GP/MC)104 Devices .....      | 70     | INTCON2 (Interrupt Control 2) .....          | 102      |
| PORTA, dsPIC33FJXX(GP/MC)101/102 Devices .....  | 69     | INTTREG (Interrupt Control and Status) ..... | 123      |
| PORTB, dsPIC33FJXX(GP/MC)102 and                |        | IPC0 (Interrupt Priority Control 0) .....    | 112      |
| dsPIC33FJ32(GP/MC)104 Devices .....             | 70     | IPC1 (Interrupt Priority Control 1) .....    | 113      |
| PORTB, dsPIC33FJXXGP101 Devices .....           | 71     | IPC14 (Interrupt Priority Control 14) .....  | 119      |
| PORTB, dsPIC33FJXXMC101 Devices .....           | 70, 71 | IPC15 (Interrupt Priority Control 15) .....  | 120      |
| PORTC, dsPIC33FJ32(GP/MC)104 Devices .....      | 71     | IPC16 (Interrupt Priority Control 16) .....  | 121      |
| PPS Input .....                                 | 67     | IPC19 (Interrupt Priority Control 19) .....  | 122      |
| PPS Output, dsPIC33FJ32(GP/MC)104 Devices ..... | 69     | IPC2 (Interrupt Priority Control 2) .....    | 114      |
| PPS Output, dsPIC33FJXX(GP/MC)102 Devices ..... | 68     | IPC3 (Interrupt Priority Control 3) .....    | 115      |
| PPS Output, dsPIC33FJXXGP101 Devices .....      | 68     | IPC4 (Interrupt Priority Control 4) .....    | 116      |
| PPS Output, dsPIC33FJXXMC101 Devices .....      | 68     | IPC5 (Interrupt Priority Control 5) .....    | 117      |

|   |        |   |        |
|---|--------|---|--------|
| IPC6 (Interrupt Priority Control 6) .....       | 117    | T1CON (Timer1 Control) .....                    | 164    |
| IPC7 (Interrupt Priority Control 7) .....       | 118    | T2CON Control .....                             | 168    |
| IPC9 (Interrupt Priority Control 9) .....       | 119    | T3CON Control .....                             | 169    |
| NVMCON (Flash Memory Control) .....             | 85     | T4CON Control .....                             | 170    |
| NVMKEY (Nonvolatile Memory Key) .....           | 86     | T5CON Control .....                             | 171    |
| OCxCON (Output Compare x Control) .....         | 177    | UxMODE (UARTx Mode).....                        | 211    |
| OSCCON (Oscillator Control) .....               | 128    | UxSTA (UARTx Status and Control).....           | 213    |
| OSCTUN (FRC Oscillator Tuning) .....            | 131    | Resets.....                                     | 87     |
| PADCFG1 (Pad Configuration Control) .....       | 245    | BOR (Brown-out Reset).....                      | 87     |
| PMD1 (Peripheral Module Disable Control 1)..... | 135    | BOR and Power-up Timer (PWRT) .....             | 92     |
| PMD2 (Peripheral Module Disable Control 2)..... | 136    | CM (Configuration Mismatch Reset).....          | 87     |
| PMD3 (Peripheral Module Disable Control 3)..... | 137    | Configuration Mismatch (CM).....                | 93     |
| PMD4 (Peripheral Module Disable Control 4)..... | 137    | External (EXTR).....                            | 93     |
| PWMxCON1 (PWMx Control 1).....                  | 186    | Illegal Condition .....                         | 93     |
| PWMxCON2 (PWMx Control 2).....                  | 187    | Illegal Opcode.....                             | 93     |
| PWMxKEY (PWMx Unlock) .....                     | 194    | Security.....                                   | 93, 94 |
| PxDC1 (PWMx Duty Cycle 1) .....                 | 193    | Uninitialized W Register .....                  | 93, 94 |
| PxDC2 (PWMx Duty Cycle 2) .....                 | 193    | IOPUWR (Illegal Condition Reset).....           | 87     |
| PxDC3 (PWMx Duty Cycle 3) .....                 | 193    | Illegal Opcode.....                             | 87     |
| PxDTCO1 (PWMx Dead-Time Control 1).....         | 188    | Security.....                                   | 87     |
| PxDTCO2 (PWMx Dead-Time Control 2).....         | 189    | Uninitialized W Register .....                  | 87     |
| PxFLTAO (PWMx Fault A Control) .....            | 190    | MCLR (Master Clear Pin) .....                   | 87     |
| PxFLTBO (PWMx Fault B Control) .....            | 191    | Oscillator Delays.....                          | 90     |
| PxOVDCO (PWMx Override Control).....            | 192    | POR (Power-on Reset).....                       | 87     |
| PxSECMP (PWMx Special Event Compare) .....      | 185    | Power-on Reset (POR).....                       | 92     |
| PxTCON (PWMx Time Base Control).....            | 183    | Software RESET Instruction (SWR).....           | 93     |
| PxTMR (PWMx Timer Count Value).....             | 184    | SWR (RESET Instruction) .....                   | 87     |
| PxTPER (PWMx Time Base Period).....             | 184    | System  |        |
| RCFGCAL (RTCC Calibration                       |        | Cold Reset.....                                 | 90     |
| and Configuration) .....                        | 243    | Warm Reset.....                                 | 90     |
| RCON (Reset Control) .....                      | 88     | Trap Conflict .....                             | 93     |
| RPINR0 (Peripheral Pin Select Input 0).....     | 146    | TRAPR (Trap Conflict Reset) .....               | 87     |
| RPINR1 (Peripheral Pin Select Input 1).....     | 147    | Watchdog Timer Time-out (WDTR).....             | 93     |
| RPINR11 (Peripheral Pin Select Input 11).....   | 152    | WDTO (Watchdog Timer Reset).....                | 87     |
| RPINR18 (Peripheral Pin Select Input 18).....   | 153    | Revision History.....                           | 367    |
| RPINR20 (Peripheral Pin Select Input 20).....   | 154    | RTCC  |        |
| RPINR21 (Peripheral Pin Select Input 21).....   | 155    | Control Registers .....                         | 243    |
| RPINR3 (Peripheral Pin Select Input 3).....     | 148    | Module Registers .....                          | 242    |
| RPINR4 (Peripheral Pin Select Input 4).....     | 149    | <b>S</b>  |        |
| RPINR7 (Peripheral Pin Select Input 7).....     | 150    | Serial Peripheral Interface (SPI) .....         | 195    |
| RPINR8 (Peripheral Pin Select Input 8).....     | 151    | Control Registers .....                         | 197    |
| RPOR0 (Peripheral Pin Select Output 0).....     | 156    | Helpful Tips.....                               | 196    |
| RPOR1 (Peripheral Pin Select Output 1).....     | 156    | Resources .....                                 | 196    |
| RPOR10 (Peripheral Pin Select Output 10).....   | 161    | Software Simulator (MPLAB SIM) .....            | 277    |
| RPOR11 (Peripheral Pin Select Output 11).....   | 161    | Software Stack Pointer, Frame Pointer           |        |
| RPOR12 (Peripheral Pin Select Output 12).....   | 162    | CALL Stack Frame .....                          | 73     |
| RPOR2 (Peripheral Pin Select Output 2).....     | 157    | Special Features.....                           | 259    |
| RPOR3 (Peripheral Pin Select Output 3).....     | 157    | Code Protection .....                           | 259    |
| RPOR4 (Peripheral Pin Select Output 4).....     | 158    | Flexible Configuration .....                    | 259    |
| RPOR5 (Peripheral Pin Select Output 5).....     | 158    | In-Circuit Emulation .....                      | 259    |
| RPOR6 (Peripheral Pin Select Output 6).....     | 159    | In-Circuit Serial Programming (ICSP).....       | 259    |
| RPOR7 (Peripheral Pin Select Output 7).....     | 159    | Watchdog Timer (WDT).....                       | 259    |
| RPOR8 (Peripheral Pin Select Output 8).....     | 160    | <b>T</b>  |        |
| RPOR9 (Peripheral Pin Select Output 9).....     | 160    | Timer1.....                                     | 163    |
| RTCVAL (Minutes and Seconds Value,              |        | Timer2/3 and Timer4/5 .....                     | 165    |
| RTCPTTR Bits = 00).....                         | 249    | 16-Bit Operation .....                          | 165    |
| RTCVAL (Year Value, RTCPTTR Bits = 11).....     | 247    | 32-Bit Operation .....                          | 165    |
| RTCVAL Month and Day Value,                     |        | Control Registers.....                          | 168    |
| RTCPTTR Bits = 10).....                         | 247    | Timing Diagrams                                 |        |
| RTCVAL Weekdays and Hours Value,                |        | ADC Conversion Characteristics (CHPS<1:0> = 01, |        |
| RTCPTTR Bits = 01).....                         | 248    | SIMSAM = 0, ASAM = 0, SSRC<2:0> = 000)...       | 332    |
| SPIxCON1 (SPIx Control 1).....                  | 198    | ADC Conversion Characteristics (CHPS<1:0> = 01, |        |
| SPIxCON2 (SPIx Control 2).....                  | 200    | SIMSAM = 0, ASAM = 1, SSRC<2:0> = 111,          |        |
| SPIxSTAT (SPIx Status and Control) .....        | 197    | SAMC<4:0> = 00001).....                         | 332    |
| SR (CPU STATUS).....                            | 40, 99 |   |        |

# dsPIC33FJ16(GP/MC)101/102 AND dsPIC33FJ32(GP/MC)101/102/104

|  |     |  |     |
|--|-----|--|-----|
| Brown-out Reset Situations .....   | 92  | Reset, Watchdog Timer, Oscillator Start-up Timer,<br>Power-up Timer and Brown-out Reset..... | 296 |
| CLKO and I/O .....   | 295 | Simple OCx/PWM Mode .....  | 300 |
| External Clock .....   | 293 | SPIx Master Mode (Full-Duplex, CKE = 0, CKP = x,<br>SMP = 1) for dsPIC33FJ16(GP/MC)10X.....  | 305 |
| I2Cx Bus Data (Master Mode) .....  | 326 | SPIx Master Mode (Full-Duplex, CKE = 0, CKP = x,<br>SMP = 1) for dsPIC33FJ32(GP/MC)10X.....  | 317 |
| I2Cx Bus Data (Slave Mode) .....   | 328 | SPIx Master Mode (Full-Duplex, CKE = 1, CKP = x,<br>SMP = 1) for dsPIC33FJ16(GP/MC)10X.....  | 304 |
| I2Cx Bus Start/Stop Bits (Master Mode).....  | 326 | SPIx Master Mode (Full-Duplex, CKE = 1, CKP = x,<br>SMP = 1) for dsPIC33FJ32(GP/MC)10X.....  | 316 |
| I2Cx Bus Start/Stop Bits (Slave Mode).....   | 328 | SPIx Master Transmit Mode (Half-Duplex) for<br>dsPIC33FJ16(GP/MC)10X .....                   | 303 |
| Input Capture x (ICx).....   | 299 | SPIx Master Transmit Mode (Half-Duplex) for<br>dsPIC33FJ32(GP/MC)10X .....                   | 315 |
| Motor Control PWM .....  | 301 | SPIx Slave Mode (Full-Duplex, CKE = 0, CKP = 0,<br>SMP = 0) for dsPIC33FJ16(GP/MC)10X.....   | 313 |
| Motor Control PWM Fault .....  | 301 | SPIx Slave Mode (Full-Duplex, CKE = 0, CKP = 0,<br>SMP = 0) for dsPIC33FJ32(GP/MC)10X.....   | 325 |
| OCx/PWM .....  | 300 | SPIx Slave Mode (Full-Duplex, CKE = 0, CKP = 1,<br>SMP = 0) for dsPIC33FJ16(GP/MC)10X.....   | 311 |
| Output Compare x (OCx).....  | 300 | SPIx Slave Mode (Full-Duplex, CKE = 0, CKP = 1,<br>SMP = 0) for dsPIC33FJ32(GP/MC)10X.....   | 323 |
| Reset, Watchdog Timer, Oscillator Start-up Timer and<br>Power-up Timer .....                 | 296 | SPIx Slave Mode (Full-Duplex, CKE = 1, CKP = 0,<br>SMP = 0) for dsPIC33FJ16(GP/MC)10X.....   | 307 |
| SPIx Master Mode (Full-Duplex, CKE = 0, CKP = x, SMP<br>= 1) for dsPIC33FJ16(GP/MC)10X ..... | 305 | SPIx Slave Mode (Full-Duplex, CKE = 1, CKP = 0,<br>SMP = 0) for dsPIC33FJ32(GP/MC)10X.....   | 319 |
| SPIx Master Mode (Full-Duplex, CKE = 0, CKP = x, SMP<br>= 1) for dsPIC33FJ32(GP/MC)10X ..... | 317 | SPIx Slave Mode (Full-Duplex, CKE = 1, CKP = 1,<br>SMP = 0) for dsPIC33FJ16(GP/MC)10X.....   | 309 |
| SPIx Master Mode (Full-Duplex, CKE = 1, CKP = x, SMP<br>= 1) for dsPIC33FJ16(GP/MC)10X ..... | 304 | SPIx Slave Mode (Full-Duplex, CKE = 1, CKP = 1,<br>SMP = 0) for dsPIC33FJ32(GP/MC)10X.....   | 321 |
| SPIx Master Mode (Full-Duplex, CKE = 1, CKP = x, SMP<br>= 1) for dsPIC33FJ32(GP/MC)10X ..... | 316 | Timer1 External Clock .....  | 297 |
| SPIx Master Transmit Mode (Half-Duplex, CKE = 0) for<br>dsPIC33FJ16(GP/MC)10X .....          | 302 | Timer2/4 External Clock .....  | 298 |
| SPIx Master Transmit Mode (Half-Duplex, CKE = 0) for<br>dsPIC33FJ32(GP/MC)10X .....          | 314 | Timer3/5 External Clock .....  | 298 |
| SPIx Master Transmit Mode (Half-Duplex, CKE = 1) for<br>dsPIC33FJ16(GP/MC)10X .....          | 303 | Timing Specifications  |     |
| SPIx Master Transmit Mode (Half-Duplex, CKE = 1) for<br>dsPIC33FJ32(GP/MC)10X .....          | 315 | Comparator Module .....  | 334 |
| SPIx Slave Mode (Full-Duplex, CKE = 0, CKP = 0, SMP<br>= 0) for dsPIC33FJ16(GP/MC)10X .....  | 312 | Comparator Timing .....  | 334 |
| SPIx Slave Mode (Full-Duplex, CKE = 0, CKP = 0, SMP<br>= 0) for dsPIC33FJ32(GP/MC)10X .....  | 324 | Comparator Voltage Reference .....   | 335 |
| SPIx Slave Mode (Full-Duplex, CKE = 0, CKP = 1, SMP<br>= 0) for dsPIC33FJ16(GP/MC)10X .....  | 310 | Comparator Voltage Reference Settling Time .....   | 334 |
| SPIx Slave Mode (Full-Duplex, CKE = 0, CKP = 1, SMP<br>= 0) for dsPIC33FJ32(GP/MC)10X .....  | 322 | CTMU Current Source .....  | 335 |
| SPIx Slave Mode (Full-Duplex, CKE = 1, CKP = 0, SMP<br>= 0) for dsPIC33FJ16(GP/MC)10X .....  | 306 | PLL Clock .....  | 294 |
| SPIx Slave Mode (Full-Duplex, CKE = 1, CKP = 0, SMP<br>= 0) for dsPIC33FJ32(GP/MC)10X .....  | 318 | <b>U</b>   |     |
| SPIx Slave Mode (Full-Duplex, CKE = 1, CKP = 1, SMP<br>= 0) for dsPIC33FJ16(GP/MC)10X .....  | 308 | UART   |     |
| SPIx Slave Mode (Full-Duplex, CKE = 1, CKP = 1, SMP<br>= 0) for dsPIC33FJ32(GP/MC)10X .....  | 320 | Control Registers .....  | 211 |
| System Reset.....  | 91  | Helpful Tips.....  | 210 |
| Timer1, 2 and 3 External Clock.....  | 297 | Resources .....  | 210 |
| Timing Requirements  |     | Universal Asynchronous Receiver<br>Transmitter (UART) .....                                  | 209 |
| 10-Bit ADC Conversion .....  | 333 | Using the RCON Status Bits.....  | 94  |
| Capacitive Loading on Output Pins.....   | 292 | <b>V</b>   |     |
| CLKO and I/O .....   | 295 | Voltage Regulator (On-Chip) .....  | 264 |
| External Clock .....   | 293 | <b>W</b>   |     |
| I2Cx Bus Data (Master Mode) .....  | 327 | Watchdog Timer (WDT).....  | 265 |
| I2Cx Bus Data (Slave Mode) .....   | 329 | Programming Considerations .....   | 265 |
| Input Capture x (ICx).....   | 299 | WWW Address .....  | 380 |
| Motor Control PWM .....  | 301 | WWW, On-Line Support .....   | 24  |
| Output Compare x (OCx).....  | 300 |  |     |

NOTES:

## THE MICROCHIP WEB SITE

Microchip provides online support via our WWW site at [www.microchip.com](http://www.microchip.com). This web site is used as a means to make files and information easily available to customers. Accessible by using your favorite Internet browser, the web site contains the following information:

- **Product Support** – Data sheets and errata, application notes and sample programs, design resources, user's guides and hardware support documents, latest software releases and archived software
- **General Technical Support** – Frequently Asked Questions (FAQs), technical support requests, online discussion groups, Microchip consultant program member listing
- **Business of Microchip** – Product selector and ordering guides, latest Microchip press releases, listing of seminars and events, listings of Microchip sales offices, distributors and factory representatives

## CUSTOMER CHANGE NOTIFICATION SERVICE

Microchip's customer notification service helps keep customers current on Microchip products. Subscribers will receive e-mail notification whenever there are changes, updates, revisions or errata related to a specified product family or development tool of interest.

To register, access the Microchip web site at [www.microchip.com](http://www.microchip.com). Under "Support", click on "Customer Change Notification" and follow the registration instructions.

## CUSTOMER SUPPORT

Users of Microchip products can receive assistance through several channels:

- Distributor or Representative
- Local Sales Office
- Field Application Engineer (FAE)
- Technical Support
- Development Systems Information Line

Customers should contact their distributor, representative or field application engineer (FAE) for support. Local sales offices are also available to help customers. A listing of sales offices and locations is included in the back of this document.

**Technical support is available through the web site at: <http://microchip.com/support>**

**READER RESPONSE**

It is our intention to provide you with the best documentation possible to ensure successful use of your Microchip product. If you wish to provide your comments on organization, clarity, subject matter, and ways in which our documentation can better serve you, please FAX your comments to the Technical Publications Manager at (480) 792-4150.

Please list the following information, and use this outline to provide us with your comments about this document.

TO: Technical Publications Manager Total Pages Sent \_\_\_\_\_

RE: Reader Response

From: Name \_\_\_\_\_

Company \_\_\_\_\_

Address \_\_\_\_\_

City / State / ZIP / Country \_\_\_\_\_

Telephone: (\_\_\_\_\_) \_\_\_\_\_ - \_\_\_\_\_ FAX: (\_\_\_\_\_) \_\_\_\_\_ - \_\_\_\_\_

Application (optional):

Would you like a reply?  Y  N

Device: dsPIC33FJ16(GP/MC)101/102 and  
dsPIC33FJ32(GP/MC)101/102/104

Literature Number: DS70652E

Questions:

1. What are the best features of this document?

\_\_\_\_\_  
\_\_\_\_\_

2. How does this document meet your hardware and software development needs?

\_\_\_\_\_  
\_\_\_\_\_

3. Do you find the organization of this document easy to follow? If not, why?

\_\_\_\_\_  
\_\_\_\_\_

4. What additions to the document do you think would enhance the structure and subject?

\_\_\_\_\_  
\_\_\_\_\_

5. What deletions from the document could be made without affecting the overall usefulness?

\_\_\_\_\_  
\_\_\_\_\_

6. Is there any incorrect or misleading information (what and where)?

\_\_\_\_\_  
\_\_\_\_\_

7. How would you improve this document?

\_\_\_\_\_  
\_\_\_\_\_

## PRODUCT IDENTIFICATION SYSTEM

To order or obtain information, e.g., on pricing or delivery, refer to the factory or the listed sales office.

| dsPIC 33 FJ 16 MC1 02 T E / SP - XXX      |       |
|---|-------|
| <b>Microchip Trademark</b>                | _____ |
| <b>Architecture</b>                       | _____ |
| <b>Flash Memory Family</b>                | _____ |
| <b>Program Memory Size (Kbyte)</b>        | _____ |
| <b>Product Group</b>                      | _____ |
| <b>Pin Count</b>                          | _____ |
| <b>Tape and Reel Flag (if applicable)</b> | _____ |
| <b>Temperature Range</b>                  | _____ |
| <b>Package</b>                            | _____ |
| <b>Pattern</b>                            | _____ |

|                      |     |   |  |
|----------------------|-----|---|--|
| Architecture:        | 33  | = | 16-bit Digital Signal Controller                           |
| Flash Memory Family: | FJ  | = | Flash program memory, 3.3V                                 |
| Product Group:       | GP1 | = | General Purpose family                                     |
|                      | MC1 | = | Motor Control family                                       |
| Pin Count:           | 01  | = | 18-pin and 20-pin  |
|                      | 02  | = | 28-pin and 32-pin  |
| Temperature Range:   | I   | = | -40°C to+85°C (Industrial)                                 |
|                      | E   | = | -40°C to+125°C (Extended)                                  |
| Package:             | P   | = | Plastic Dual In-Line - 300 mil body (PDIP)                 |
|                      | SS  | = | Plastic Shrink Small Outline -5.3 mm body (SSOP)           |
|                      | SP  | = | Skinny Plastic Dual In-Line - 300 mil body (SPDIP)         |
|                      | SO  | = | Plastic Small Outline - Wide, 7.50 mil body (SOIC)         |
|                      | ML  | = | Plastic Quad, No Lead - (28-pin) 6x6 mm body (QFN)         |
|                      | PT  | = | Plastic Thin Quad Flatpack - (44-pin) 10x10 mm body (TQFP) |
|                      | TL  | = | Very Thin Leadless Array - (36-pin) 5x5 mm body (VTLA)     |

**Examples:**

- a) dsPIC33FJ16MC102-E/SP:  
Motor Control dsPIC33,  
16-Kbyte program memory,  
28-pin, Extended temperature,  
SPDIP package.

NOTES:



---

**Note the following details of the code protection feature on Microchip devices:**

- Microchip products meet the specification contained in their particular Microchip Data Sheet.
- Microchip believes that its family of products is one of the most secure families of its kind on the market today, when used in the intended manner and under normal conditions.
- There are dishonest and possibly illegal methods used to breach the code protection feature. All of these methods, to our knowledge, require using the Microchip products in a manner outside the operating specifications contained in Microchip's Data Sheets. Most likely, the person doing so is engaged in theft of intellectual property.
- Microchip is willing to work with the customer who is concerned about the integrity of their code.
- Neither Microchip nor any other semiconductor manufacturer can guarantee the security of their code. Code protection does not mean that we are guaranteeing the product as “unbreakable.”

Code protection is constantly evolving. We at Microchip are committed to continuously improving the code protection features of our products. Attempts to break Microchip's code protection feature may be a violation of the Digital Millennium Copyright Act. If such acts allow unauthorized access to your software or other copyrighted work, you may have a right to sue for relief under that Act.

---

Information contained in this publication regarding device applications and the like is provided only for your convenience and may be superseded by updates. It is your responsibility to ensure that your application meets with your specifications. MICROCHIP MAKES NO REPRESENTATIONS OR WARRANTIES OF ANY KIND WHETHER EXPRESS OR IMPLIED, WRITTEN OR ORAL, STATUTORY OR OTHERWISE, RELATED TO THE INFORMATION, INCLUDING BUT NOT LIMITED TO ITS CONDITION, QUALITY, PERFORMANCE, MERCHANTABILITY OR FITNESS FOR PURPOSE. Microchip disclaims all liability arising from this information and its use. Use of Microchip devices in life support and/or safety applications is entirely at the buyer's risk, and the buyer agrees to defend, indemnify and hold harmless Microchip from any and all damages, claims, suits, or expenses resulting from such use. No licenses are conveyed, implicitly or otherwise, under any Microchip intellectual property rights.

#### **Trademarks**

The Microchip name and logo, the Microchip logo, dsPIC, FlashFlex, KEELOQ, KEELOQ logo, MPLAB, PIC, PICmicro, PICSTART, PIC<sup>32</sup> logo, rPIC, SST, SST Logo, SuperFlash and UNI/O are registered trademarks of Microchip Technology Incorporated in the U.S.A. and other countries.

FilterLab, Hampshire, HI-TECH C, Linear Active Thermistor, MTP, SEEVAL and The Embedded Control Solutions Company are registered trademarks of Microchip Technology Incorporated in the U.S.A.

Silicon Storage Technology is a registered trademark of Microchip Technology Inc. in other countries.

Analog-for-the-Digital Age, Application Maestro, BodyCom, chipKIT, chipKIT logo, CodeGuard, dsPICDEM, dsPICDEM.net, dsPICworks, dsSPEAK, ECAN, ECONOMONITOR, FanSense, HI-TIDE, In-Circuit Serial Programming, ICSP, Mindi, MiWi, MPASM, MPF, MPLAB Certified logo, MPLIB, MPLINK, mTouch, Omniscent Code Generation, PICC, PICC-18, PICDEM, PICDEM.net, PICkit, PICtail, REAL ICE, rLAB, Select Mode, SQI, Serial Quad I/O, Total Endurance, TSHARC, UniWinDriver, WiperLock, ZENA and Z-Scale are trademarks of Microchip Technology Incorporated in the U.S.A. and other countries.

SQTP is a service mark of Microchip Technology Incorporated in the U.S.A.

GestIC and ULPP are registered trademarks of Microchip Technology Germany II GmbH & Co. & KG, a subsidiary of Microchip Technology Inc., in other countries.

All other trademarks mentioned herein are property of their respective companies.

© 2011-2012, Microchip Technology Incorporated, Printed in the U.S.A., All Rights Reserved.

 Printed on recycled paper.

ISBN: 978-1-62076-602-6

**QUALITY MANAGEMENT SYSTEM**  
**CERTIFIED BY DNV**  
**== ISO/TS 16949 ==**

*Microchip received ISO/TS-16949:2009 certification for its worldwide headquarters, design and wafer fabrication facilities in Chandler and Tempe, Arizona; Gresham, Oregon and design centers in California and India. The Company's quality system processes and procedures are for its PIC<sup>®</sup> MCUs and dsPIC<sup>®</sup> DSCs, KEELOQ<sup>®</sup> code hopping devices, Serial EEPROMs, microperipherals, nonvolatile memory and analog products. In addition, Microchip's quality system for the design and manufacture of development systems is ISO 9001:2000 certified.*



# MICROCHIP

## Worldwide Sales and Service

### AMERICAS

**Corporate Office**  
2355 West Chandler Blvd.  
Chandler, AZ 85224-6199  
Tel: 480-792-7200  
Fax: 480-792-7277  
Technical Support:  
<http://www.microchip.com/support>  
Web Address:  
[www.microchip.com](http://www.microchip.com)

**Atlanta**  
Duluth, GA  
Tel: 678-957-9614  
Fax: 678-957-1455

**Boston**  
Westborough, MA  
Tel: 774-760-0087  
Fax: 774-760-0088

**Chicago**  
Itasca, IL  
Tel: 630-285-0071  
Fax: 630-285-0075

**Cleveland**  
Independence, OH  
Tel: 216-447-0464  
Fax: 216-447-0643

**Dallas**  
Addison, TX  
Tel: 972-818-7423  
Fax: 972-818-2924

**Detroit**  
Farmington Hills, MI  
Tel: 248-538-2250  
Fax: 248-538-2260

**Indianapolis**  
Noblesville, IN  
Tel: 317-773-8323  
Fax: 317-773-5453

**Los Angeles**  
Mission Viejo, CA  
Tel: 949-462-9523  
Fax: 949-462-9608

**Santa Clara**  
Santa Clara, CA  
Tel: 408-961-6444  
Fax: 408-961-6445

**Toronto**  
Mississauga, Ontario,  
Canada  
Tel: 905-673-0699  
Fax: 905-673-6509

### ASIA/PACIFIC

**Asia Pacific Office**  
Suites 3707-14, 37th Floor  
Tower 6, The Gateway  
Harbour City, Kowloon  
Hong Kong  
Tel: 852-2401-1200  
Fax: 852-2401-3431

**Australia - Sydney**  
Tel: 61-2-9868-6733  
Fax: 61-2-9868-6755

**China - Beijing**  
Tel: 86-10-8569-7000  
Fax: 86-10-8528-2104

**China - Chengdu**  
Tel: 86-28-8665-5511  
Fax: 86-28-8665-7889

**China - Chongqing**  
Tel: 86-23-8980-9588  
Fax: 86-23-8980-9500

**China - Hangzhou**  
Tel: 86-571-2819-3187  
Fax: 86-571-2819-3189

**China - Hong Kong SAR**  
Tel: 852-2401-1200  
Fax: 852-2401-3431

**China - Nanjing**  
Tel: 86-25-8473-2460  
Fax: 86-25-8473-2470

**China - Qingdao**  
Tel: 86-532-8502-7355  
Fax: 86-532-8502-7205

**China - Shanghai**  
Tel: 86-21-5407-5533  
Fax: 86-21-5407-5066

**China - Shenyang**  
Tel: 86-24-2334-2829  
Fax: 86-24-2334-2393

**China - Shenzhen**  
Tel: 86-755-8203-2660  
Fax: 86-755-8203-1760

**China - Wuhan**  
Tel: 86-27-5980-5300  
Fax: 86-27-5980-5118

**China - Xian**  
Tel: 86-29-8833-7252  
Fax: 86-29-8833-7256

**China - Xiamen**  
Tel: 86-592-2388138  
Fax: 86-592-2388130

**China - Zhuhai**  
Tel: 86-756-3210040  
Fax: 86-756-3210049

### ASIA/PACIFIC

**India - Bangalore**  
Tel: 91-80-3090-4444  
Fax: 91-80-3090-4123

**India - New Delhi**  
Tel: 91-11-4160-8631  
Fax: 91-11-4160-8632

**India - Pune**  
Tel: 91-20-2566-1512  
Fax: 91-20-2566-1513

**Japan - Osaka**  
Tel: 81-66-152-7160  
Fax: 81-66-152-9310

**Japan - Yokohama**  
Tel: 81-45-471-6166  
Fax: 81-45-471-6122

**Korea - Daegu**  
Tel: 82-53-744-4301  
Fax: 82-53-744-4302

**Korea - Seoul**  
Tel: 82-2-554-7200  
Fax: 82-2-558-5932 or  
82-2-558-5934

**Malaysia - Kuala Lumpur**  
Tel: 60-3-6201-9857  
Fax: 60-3-6201-9859

**Malaysia - Penang**  
Tel: 60-4-227-8870  
Fax: 60-4-227-4068

**Philippines - Manila**  
Tel: 63-2-634-9065  
Fax: 63-2-634-9069

**Singapore**  
Tel: 65-6334-8870  
Fax: 65-6334-8850

**Taiwan - Hsin Chu**  
Tel: 886-3-5778-366  
Fax: 886-3-5770-955

**Taiwan - Kaohsiung**  
Tel: 886-7-536-4818  
Fax: 886-7-330-9305

**Taiwan - Taipei**  
Tel: 886-2-2500-6610  
Fax: 886-2-2508-0102

**Thailand - Bangkok**  
Tel: 66-2-694-1351  
Fax: 66-2-694-1350

### EUROPE

**Austria - Wels**  
Tel: 43-7242-2244-39  
Fax: 43-7242-2244-393

**Denmark - Copenhagen**  
Tel: 45-4450-2828  
Fax: 45-4485-2829

**France - Paris**  
Tel: 33-1-69-53-63-20  
Fax: 33-1-69-30-90-79

**Germany - Munich**  
Tel: 49-89-627-144-0  
Fax: 49-89-627-144-44

**Italy - Milan**  
Tel: 39-0331-742611  
Fax: 39-0331-466781

**Netherlands - Drunen**  
Tel: 31-416-690399  
Fax: 31-416-690340

**Spain - Madrid**  
Tel: 34-91-708-08-90  
Fax: 34-91-708-08-91

**UK - Wokingham**  
Tel: 44-118-921-5869  
Fax: 44-118-921-5820

11/29/11

Компания «Океан Электроники» предлагает заключение долгосрочных отношений при поставках импортных электронных компонентов на взаимовыгодных условиях!

Наши преимущества:

- Поставка оригинальных импортных электронных компонентов напрямую с производств Америки, Европы и Азии, а так же с крупнейших складов мира;
- Широкая линейка поставок активных и пассивных импортных электронных компонентов (более 30 млн. наименований);
- Поставка сложных, дефицитных, либо снятых с производства позиций;
- Оперативные сроки поставки под заказ (от 5 рабочих дней);
- Экспресс доставка в любую точку России;
- Помощь Конструкторского Отдела и консультации квалифицированных инженеров;
- Техническая поддержка проекта, помощь в подборе аналогов, поставка прототипов;
- Поставка электронных компонентов под контролем ВП;
- Система менеджмента качества сертифицирована по Международному стандарту ISO 9001;
- При необходимости вся продукция военного и аэрокосмического назначения проходит испытания и сертификацию в лаборатории (по согласованию с заказчиком);
- Поставка специализированных компонентов военного и аэрокосмического уровня качества (Xilinx, Altera, Analog Devices, Intersil, Interpoint, Microsemi, Actel, Aeroflex, Peregrine, VPT, Syfer, Eurofarad, Texas Instruments, MS Kennedy, Miteq, Cobham, E2V, MA-COM, Hittite, Mini-Circuits, General Dynamics и др.);

Компания «Океан Электроники» является официальным дистрибьютором и эксклюзивным представителем в России одного из крупнейших производителей разъемов военного и аэрокосмического назначения «JONHON», а так же официальным дистрибьютором и эксклюзивным представителем в России производителя высокотехнологичных и надежных решений для передачи СВЧ сигналов «FORSTAR».



## JONHON

«JONHON» (основан в 1970 г.)

Разъемы специального, военного и аэрокосмического назначения:

(Применяются в военной, авиационной, аэрокосмической, морской, железнодорожной, горно- и нефтедобывающей отраслях промышленности)

«FORSTAR» (основан в 1998 г.)

ВЧ соединители, коаксиальные кабели,  
кабельные сборки и микроволновые компоненты:

(Применяются в телекоммуникациях гражданского и специального назначения, в средствах связи, РЛС, а так же военной, авиационной и аэрокосмической отраслях промышленности).



Телефон: 8 (812) 309-75-97 (многоканальный)

Факс: 8 (812) 320-03-32

Электронная почта: [ocean@oceanchips.ru](mailto:ocean@oceanchips.ru)

Web: <http://oceanchips.ru/>

Адрес: 198099, г. Санкт-Петербург, ул. Калинина, д. 2, корп. 4, лит. А