



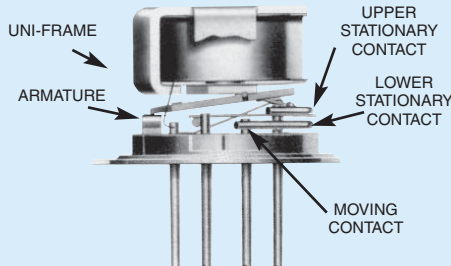
A Unit of Teledyne Electronics and Communications

HIGH-TEMPERATURE (200°C), HIGH-PERFORMANCE TO-5 RELAY DPDT

**SERIES
412H
422H
432H**

| SERIES DESIGNATION | RELAY TYPE |
|--------------------|---|
| 412H | DPDT high-temperature relay |
| 422H | DPDT high-temperature magnetic-latching relay |
| 432H | DPDT sensitive high-temperature relay |

INTERNAL CONSTRUCTION



DESCRIPTION

The TO-5 relay, originally conceived and developed by Teledyne, has become one of the industry standards for low-level switching from dry circuit to 1 ampere. Designed for high-density PC board mounting, these TO-5 relays are some of the most versatile ultraminiature relays available because of their small size and low coil power dissipation.

The H Series high-temperature TO-5 relays are designed for reliable operation in elevated ambient temperatures up to 200°C. Special material selection and processing provide assurance of freedom from contact contamination and mechanical malfunctioning that might otherwise be caused by ultra high ambient temperature conditions.

Typical applications:

- Oil exploration (down hole) instrumentation
- High temperature industrial and process control instrumentation

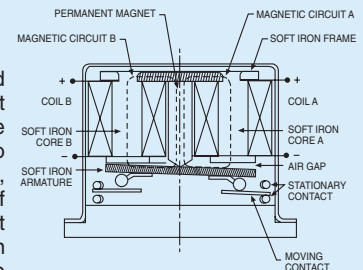
By virtue of its inherently low intercontact capacitance and contact circuit losses, the H Series relays have proven to be excellent ultraminiature RF switches for applications with frequency ranges well into the UHF spectrum (see Figures 1 and 2).

| 412H 432H | | ENVIRONMENTAL AND PHYSICAL SPECIFICATIONS |
|----------------------------|------|---|
| Temperature (Ambient) | | -65°C to +200°C |
| Vibration (General Note 1) | | 30 g's to 3000 Hz |
| Shock (General Note 1) | | 75 g's, 6 msec, half-sine |
| Acceleration | | 50 g's |
| Enclosure | | Hermetically sealed |
| Weight | 412H | 0.09 oz. (2.55g) max. |
| | 432H | 0.15 oz. (4.25g) max. |

| 422H | | ENVIRONMENTAL AND PHYSICAL SPECIFICATIONS |
|----------------------------|--|---|
| Temperature (Ambient) | | -65°C to +200°C |
| Vibration (General Note 1) | | 30 g's to 3000 Hz |
| Shock (General Note 1) | | 100 g's, 6 msec, half-sine |
| Acceleration | | 50 g's |
| Enclosure | | Hermetically sealed |
| Weight | | 0.10 oz. (2.84g) max. |

PRINCIPLE OF OPERATION 422H

Energizing Coil B produces a magnetic field opposing the holding flux of the permanent magnet in Circuit B. As this net holding force decreases, the attractive force in the air gap of circuit A, which also results from the flux of the permanent magnet, becomes great enough to break the armature free of Core B, and snap it into a closed position against Core A. The armature then remains in this position upon removal of power from Coil B, but will snap back to position B upon energizing Coil A. Since operation depends upon cancellation of a magnetic field, it is necessary to apply the correct polarity to the relay coils as indicated on the relay schematic.



When latching relays are installed in equipment, the latch and reset coils should not be pulsed simultaneously. Coils should not be pulsed with less than rated coil voltage and the pulse width should be a minimum of three times the specified operate time of the relay. If these conditions are not followed, it is possible for the relay to be in the magnetically neutral position.

HIGH-PERFORMANCE

SERIES 412H/422H/432H

GENERAL ELECTRICAL SPECIFICATIONS (-65°C to +200°C unless otherwise noted) (Notes 2 & 3)

| | | | |
|---|--|--|-------------------------|
| Contact Arrangement | 2 Form C (DPDT) | | |
| Rated Duty | Continuous | | |
| Contact Resistance | 412H/432H: 0.125 ohms max. before life; 0.225 ohms max. after life at 1A/28Vdc 422H: 0.15 ohms max. before life; .25 ohms max after life at 1A/28Vdc } measured 1/8" below header | | |
| Contact Load Ratings (DC) (See Fig. 3 for other DC resistive voltage/current ratings) | Resistive: | 1 Amp/28Vdc | |
| | Inductive: | 200 mA/28Vdc (320 mH) | |
| | Lamp: | 100 mA/28Vdc | |
| | Low Level: | 10 to 50µA/10 to 50mV | |
| Contact Load Ratings (AC) (Note 4) | Resistive: | 250 mA/115Vac, 60 and 400 Hz (Case not grounded) 100 mA/115Vac, 60 and 400 Hz (Case grounded) | |
| Contact Life Ratings (Note 4) | 10,000,000 cycles (typical) at low level 1,000,000 cycles (typical) at 0.5A/28Vdc resistive 100,000 cycles min. at all other loads specified above | | |
| Contact Overload Rating | 2A/28Vdc Resistive (100 cycles min.) | | |
| Contact Carry Rating | Contact factory | | |
| Coil Operating Power | 412H: 450 mW typ. @ 25°C | 422H: 290 mW typ. @ 25°C | 432H 200 mW typ. @ 25°C |
| Operate Time | 412H: 2.0 msec max. | 422H: 1.5 msec max. | 432H: 4.0 msec max |
| Release Time | 2.0 msec max. | | |
| Contact Bounce | 1.5 msec max. | | |
| Intercontact Capacitance | 0.4 pf typical | | |
| Insulation Resistance | 10,000 megohms min. between mutually isolated terminals | | |
| Dielectric Strength | Atmospheric pressure: 500 Vrms/60Hz | 70,000 ft.: 125 Vrms/60Hz | |
| Minimum Operate Pulse | 4.5 msec width @ rated voltage (422H only) | | |

412H SERIES RELAY

DETAILED ELECTRICAL SPECIFICATIONS (-65°C to +200°C unless otherwise noted) (Note 2)

| BASE PART NUMBERS → | | 412H-5 | 412H-6 | 412H-9 | 412H-12 | 412H-18 | 412H-26 |
|--|------|--------|--------|--------|---------|---------|---------|
| Coil Voltage (Vdc) | Nom. | 5.0 | 6.0 | 9.0 | 12.0 | 18.0 | 26.5 |
| | Max. | 5.8 | 8.0 | 12.0 | 16.0 | 24.0 | 32.0 |
| Coil Resistance (Ohms ±10% @25°C) | | 50 | 98 | 220 | 390 | 880 | 1560 |
| Pick-up Voltage (Vdc, Max.) | | 4.7 | 5.9 | 9.0 | 11.9 | 17.8 | 24.0 |
| Drop-out Voltage (Vdc) | Min. | 0.14 | 0.18 | 0.35 | 0.41 | 0.59 | 0.89 |
| | Max. | 2.4 | 3.4 | 5.1 | 6.8 | 10.2 | 13.5 |

422H SERIES RELAY

DETAILED ELECTRICAL SPECIFICATIONS (-65°C to +200°C unless otherwise noted) (Note 2)

| BASE PART NUMBERS → | | 422H-5 | 422H-6 | 422H-9 | 422H-12 | 422H-18 | 422H-26 |
|--|------|--------|--------|--------|---------|---------|---------|
| Coil Voltage (Vdc) | Nom. | 5.0 | 6.0 | 9.0 | 12.0 | 18.0 | 26.5 |
| | Max. | 5.8 | 8.0 | 12.0 | 16.0 | 24.0 | 32.0 |
| Coil Resistance (Ohms ±10% @25°C) | | 61 | 120 | 280 | 500 | 1130 | 2000 |
| Set & Reset Voltage (Vdc, Max.) | | 4.7 | 5.9 | 9.0 | 11.9 | 17.8 | 24.0 |

432H SERIES RELAY

DETAILED ELECTRICAL SPECIFICATIONS (-65°C to +200°C unless otherwise noted) (Note 2)

| BASE PART NUMBERS → | | 432H-5 | 432H-6 | 432H-9 | 432H-12 | 432H-18 | 432H-26 |
|--|------|--------|--------|--------|---------|---------|---------|
| Coil Voltage (Vdc) | Nom. | 5.0 | 6.0 | 9.0 | 12.0 | 18.0 | 26.5 |
| | Max. | 5.8 | 8.0 | 12.0 | 16.0 | 24.0 | 32.0 |
| Coil Resistance (Ohms ±10% @25°C) | | 100 | 200 | 400 | 850 | 1600 | 3300 |
| Pick-up Voltage (Vdc, Max.) | | 4.7 | 5.9 | 9.0 | 11.9 | 17.8 | 24.0 |
| Drop-out Voltage (Vdc) | Min. | 0.14 | 0.18 | 0.35 | 0.41 | 0.59 | 0.89 |
| | Max. | 2.4 | 3.4 | 5.1 | 6.8 | 10.2 | 13.5 |

PERFORMANCE CURVES
(NOTE 2)

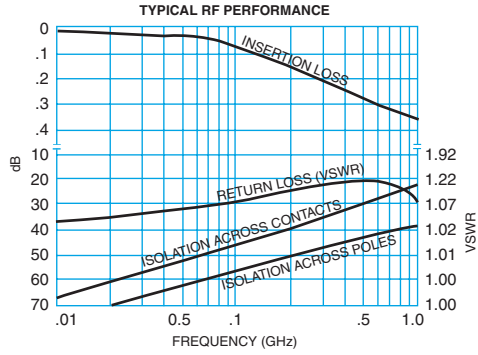


FIGURE 1 (412H AND 432H)

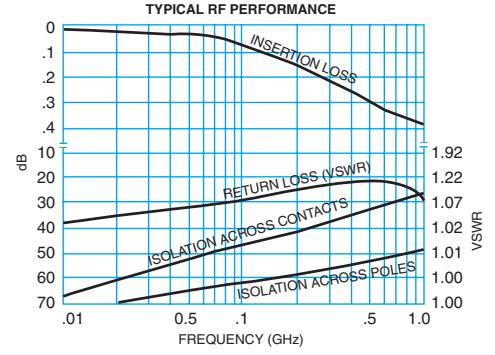


FIGURE 2 (422H)

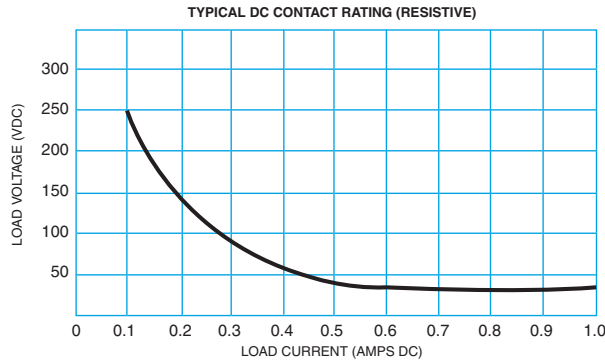
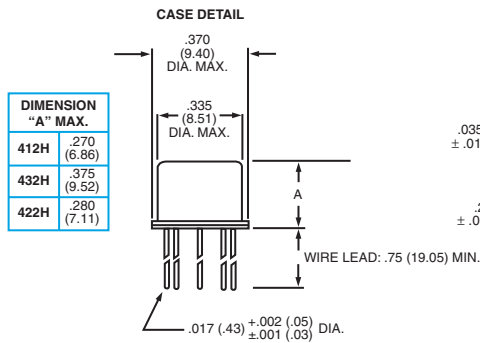
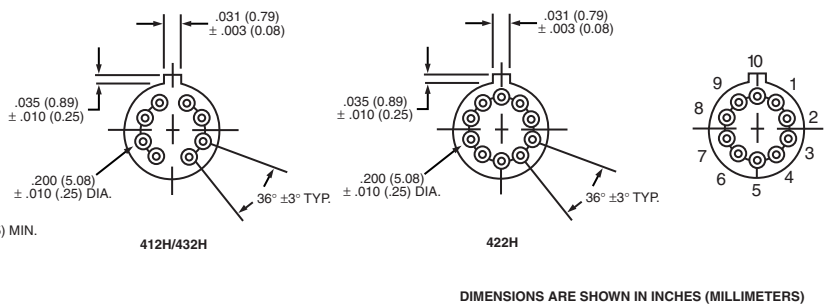


FIGURE 3

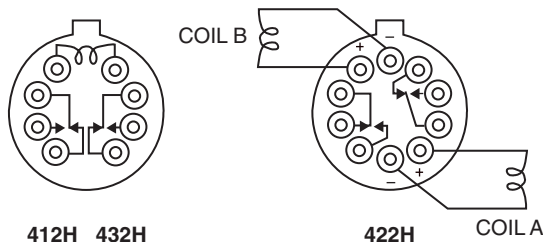
OUTLINE DIMENSIONS



TERMINAL LOCATIONS AND PIN NUMBERS (REF. ONLY)
(Viewed from Terminals)



SCHEMATIC DIAGRAMS

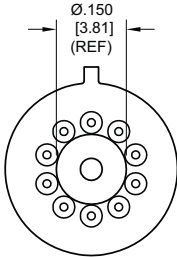
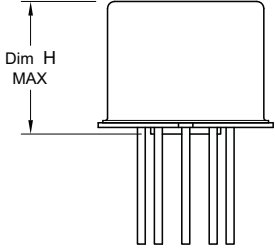
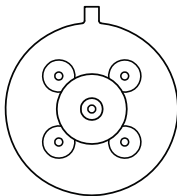
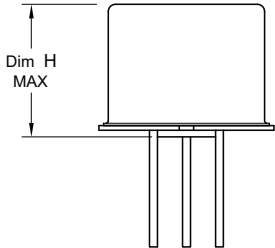
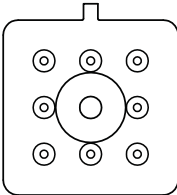
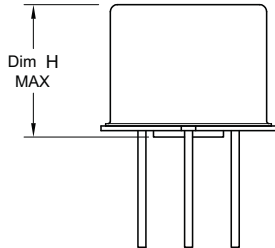
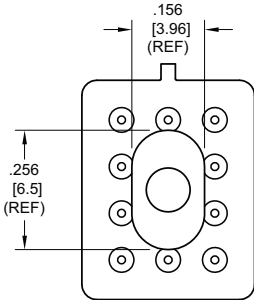
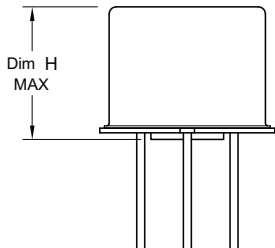


SCHEMATICS ARE VIEWED FROM TERMINALS

GENERAL NOTES

1. Relay contacts will exhibit no chatter in excess of 10 μ sec or transfer in excess of 1 μ sec.
2. "Typical" characteristics are based on available data and are best estimates. No on-going verification tests are performed.
3. Characteristics are subject to change after life.
4. Contact load ratings and contact life ratings are based on similarity testing at 125°C. No 200°C testing is performed.

Appendix A: Spacer Pads

| Pad designation and bottom view dimensions | Height | For use with the following: | Dim. H Max. |
|--|---|--|--------------|
|  <p style="text-align: center;">“M4” Pad for TO-5</p> |  | ER411T ER412, ER412D, ER412DD | .295 (7.49) |
| | | 712, 712D, 712TN, RF300, RF310, RF320 | .300 (7.62) |
| | | ER420, ER422D, ER420DD, 421, ER421D, ER421DD, ER422, ER422D, ER422DD, 722, 722D, RF341 | .305 (7.75) |
| | | ER431T, ER432T, ER432, ER432D, ER432DD | .400 (10.16) |
| | | 732, 732D, 732TN, RF303, RF313, RF323 | .410 (10.41) |
| | | RF312 | .350 (8.89) |
|  <p style="text-align: center;">“M4” Pad for TO-5</p> |  | ER411, ER411D, ER411DD | .295 (7.49) |
| | | ER431, ER431D, ER431DD | .400 (10.16) |
| | | RF311 | .300 (7.62) |
| | | RF331 | .410 (10.41) |
|  <p style="text-align: center;">“M4” Pad for Centigrid®</p> |  | 172, 172D | .305 (7.75) |
| | | ER114, ER114D, ER114DD, J114, J114D, J114DD | .300 (7.62) |
| | | ER134, ER134D, ER134DD, J134, J134D, J134DD | .400 (10.16) |
| | | RF100 | .315 (8.00) |
| | | RF103 | .420 (10.67) |
|  <p style="text-align: center;">“M9” Pad for Centigrid®</p> |  | 122C, A152 | .320 (8.13) |
| | | ER116C, J116C | .300 (7.62) |
| | | ER136C, J136C | .400 (10.16) |
| | | RF180 | .325 (8.25) |
| | | A150 | .305 (7.75) |

Notes:

1. Spacer pad material: Polyester film.
2. To specify an “M4” or “M9” spacer pad, refer to the mounting variants portion of the part numbering example in the applicable datasheet.
3. Dimensions are in inches (mm).
4. Unless otherwise specified, tolerance is $\pm .010$ (.25).
5. Add 10 m Ω to the contact resistance show in the datasheet.
6. Add 0.01 oz. (0.25 g) to the weight of the relay assembly shown in the datasheet.

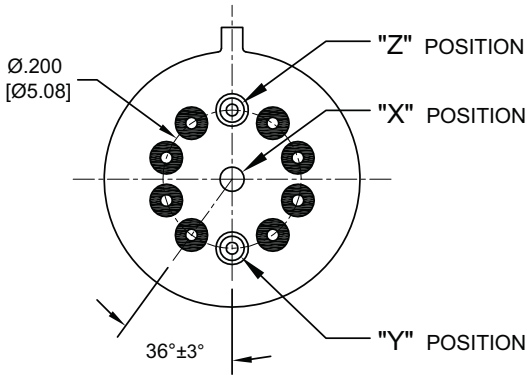
Appendix A: Spreader Pads

| Pad designation and bottom view dimensions | Height | For use with the following: | Dim. H Max. |
|---|--------|---|--|
| <p>“M” Pad <u>5/</u> <u>6/</u></p> | | ER411T, J411T, ER412, ER412D ER412DD, J412, J412D, J412DD ER412T, J412T 712, 712D, 712TN ER431T, J431T, ER432, ER432D ER432DD, J432, J432D, J432DD ER432T, J432T 732, 732D, 732TN ER420, J420, ER420D, J420D ER420DD, J420DD, ER421, J421 ER421D, J421D, ER421DD J422D, ER422DD, J422DD, 722 | .388 (9.86) .393 (9.99) .493 (12.52) .503 (12.78) .398 (10.11) |
| <p>“M2” Pad <u>7/</u> <u>8/</u></p> | | ER411T ER412, ER412D, ER412DD J412, J412D, J412DD ER421, ER421D, ER421DD 722, 732D ER431T ER432, ER432D, ER432DD 732, 732D | .441 (11.20) .451 (11.46) .451 (11.46) .546 (13.87) .556 (14.12) |
| <p>“M3” Pad <u>5/</u> <u>6/</u> <u>9/</u></p> | | ER411, ER411D, ER411DD ER411TX ER412X, ER412DX, ER412DDX ER412TX 712X, 712DX, 712TNX ER420X, ER420DX, ER420DDX ER421X, ER421DX, ER421DDX ER422X, ER422DX ER422DDX, 722X, 722DDX ER431, ER431D, ER431DD ER431TX ER432X, ER432DX, ER432DDX ER432TX 732X, 732DX, 732TNX | .388 (9.86) .393 (9.99) .398 (10.11) .493 (12.52) .503 (12.78) |

Notes:

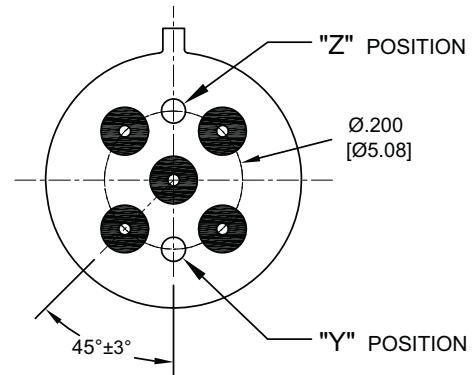
1. Spreader pad material: Diallyl Phthalate.
2. To specify an “M”, “M2” or “M3” spreader pad, refer to the mounting variants portion of the part number example in the applicable datasheet.
3. Dimensions are in inches (mm).
4. Unless otherwise specified, tolerance is $\pm .010$ ” (0.25).
- 5/. Add 25 mΩ to the contact resistance shown in the datasheet.
- 6/. Add .01 oz. (0.25 g) to the weight of the relay assembly shown in the datasheet.
- 7/. Add 50 mΩ to the contact resistance shown in the datasheet.
- 8/. Add 0.025 oz (0.71 g) to the weight of the relay assembly shown in the datasheet.
- 9/. M3 pad to be used only when the relay has a center pin (e.g. ER411M3-12A, 722XM3-26.)

Appendix A: Ground Pin Positions



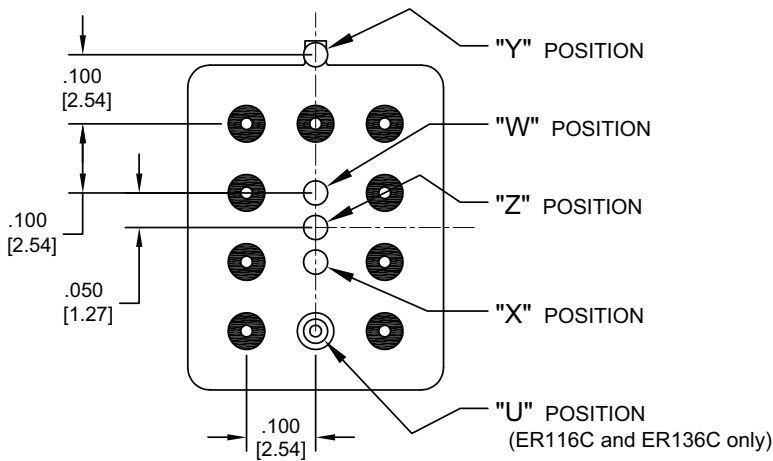
TO-5 Relays:

ER411T, ER412, ER412T, ER420, ER421, ER422,
ER431T, ER432, ER432T, 712, 712TN, 400H, 400K,
400V, RF300, RF303, RF341, RF312, RF310, RF313,
RF320, RF323



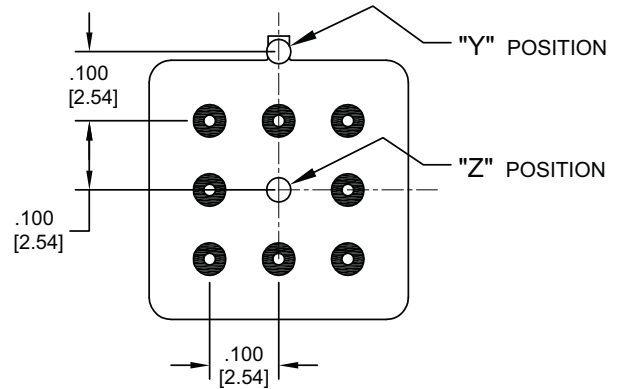
TO-5 Relays:

ER411, ER431, RF311, RF331



Centigrid® Relays:

RF180, ER116C, 122C, ER136C



Centigrid® Relays:

RF100, RF103, ER114, ER134, 172

- Indicates ground pin position
- Indicates glass insulated lead position
- ◎ Indicates ground pin or lead position depending on relay type

NOTES

1. Terminal views shown
2. Dimensions are in inches (mm)
3. Tolerances: $\pm .010$ ($\pm .25$) unless otherwise specified
4. Ground pin positions are within $.015$ (0.38) dia. of true position
5. Ground pin head dia., 0.035 (0.89) ref; height 0.010 (0.25) ref.
6. Lead dia. 0.017 (0.43) nom.

Компания «Океан Электроники» предлагает заключение долгосрочных отношений при поставках импортных электронных компонентов на взаимовыгодных условиях!

Наши преимущества:

- Поставка оригинальных импортных электронных компонентов напрямую с производств Америки, Европы и Азии, а так же с крупнейших складов мира;
- Широкая линейка поставок активных и пассивных импортных электронных компонентов (более 30 млн. наименований);
- Поставка сложных, дефицитных, либо снятых с производства позиций;
- Оперативные сроки поставки под заказ (от 5 рабочих дней);
- Экспресс доставка в любую точку России;
- Помощь Конструкторского Отдела и консультации квалифицированных инженеров;
- Техническая поддержка проекта, помощь в подборе аналогов, поставка прототипов;
- Поставка электронных компонентов под контролем ВП;
- Система менеджмента качества сертифицирована по Международному стандарту ISO 9001;
- При необходимости вся продукция военного и аэрокосмического назначения проходит испытания и сертификацию в лаборатории (по согласованию с заказчиком);
- Поставка специализированных компонентов военного и аэрокосмического уровня качества (Xilinx, Altera, Analog Devices, Intersil, Interpoint, Microsemi, Actel, Aeroflex, Peregrine, VPT, Syfer, Eurofarad, Texas Instruments, MS Kennedy, Miteq, Cobham, E2V, MA-COM, Hittite, Mini-Circuits, General Dynamics и др.);

Компания «Океан Электроники» является официальным дистрибьютором и эксклюзивным представителем в России одного из крупнейших производителей разъемов военного и аэрокосмического назначения «JONHON», а так же официальным дистрибьютором и эксклюзивным представителем в России производителя высокотехнологичных и надежных решений для передачи СВЧ сигналов «FORSTAR».



JONHON

«JONHON» (основан в 1970 г.)

Разъемы специального, военного и аэрокосмического назначения:

(Применяются в военной, авиационной, аэрокосмической, морской, железнодорожной, горно- и нефтедобывающей отраслях промышленности)

«FORSTAR» (основан в 1998 г.)

ВЧ соединители, коаксиальные кабели, кабельные сборки и микроволновые компоненты:

(Применяются в телекоммуникациях гражданского и специального назначения, в средствах связи, РЛС, а так же военной, авиационной и аэрокосмической отраслях промышленности).



Телефон: 8 (812) 309-75-97 (многоканальный)

Факс: 8 (812) 320-03-32

Электронная почта: ocean@oceanchips.ru

Web: <http://oceanchips.ru/>

Адрес: 198099, г. Санкт-Петербург, ул. Калинина, д. 2, корп. 4, лит. А