

8-Channels Switch for Multi-Cells Li+/Polymer Battery Pack**AP9106****General Description**

AP9106 is 8-Channel analog switch which is suitable for up to 6-Cells in serial Li+/Polymer battery pack application.

AP9106 has four logic selection inputs (A/B/C/D). When all logic pins are set low, no channel is selected and the chip is turned off with shutdown mode. The A, B, C and D selection pins are compatible with TTL/CMOS logic level, can be connected to MCU I/O port directly to select the right channel respectively. The VOUT is output pin to indicate exactly the voltage of each battery cell.

AUX7, AUX8 pins are auxiliary channels, which can be connected to the NTC resistor to transfer the voltage variation into VOUT pin.

AP9106 is available in standard package of TSSOP-20.

Features

- $\pm 1\%$ Matching Error between any 2 Channels
- Up to 6-Cells in Serial Li+/Polymer Battery Pack Application with Single Chip
- Up to 11-cell in Serial Li+/Polymer Battery Pack Application with Dual Chip
- Ultra Low Current in Shutdown Mode: $1.0\mu\text{A}$
- Compatible with TTL/CMOS for Logic Level
- Logic Level Shift Transfer
- Small Package: TSSOP-20

Applications

- E-Bike Li+ Battery Pack
- Electric Tool Battery Pack



Figure 1. Package Type of AP9106

**8-Channels Switch for Multi-Cells Li+/Polymer Battery Pack AP9106****Pin Descriptions**

Pin Number	Pin Name	Function
1	VL	Level shift logic power supply
2	VDD	Power supply
3	B6	Positive node of sixth battery cell
4	B5	Positive node of fifth battery cell & negative node of sixth battery cell
5	B4	Positive node of fourth battery cell & negative node of fifth battery cell
6	B3	Positive node of third battery cell & negative node of fourth battery cell
7	B2	Positive node of second battery cell & negative node of third battery cell
8	B1	Positive node of first battery cell & negative node of second battery cell
9	B0(GND)	Ground and negative node of first battery cell
10	AUX7	Auxiliary channel 7
11	AUX8	Auxiliary channel 8
12	VOUT	Switch output pin
13	NC	No connected
14	D	Channel selection logic input D
15	C	Channel selection logic input C
16	B	Channel selection logic input B
17	A	Channel selection logic input A
18	BLO	Channel selection logic output B
19	CLO	Channel selection logic output C
20	DLO	Channel selection logic output D

Note 1: VDD pin should always be connected to the positive node of top battery.

Note 2: Voltage of VL pin should be equal to or larger than that of VDD pin.

**8-Channels Switch for Multi-Cells Li+/Polymer Battery Pack AP9106****Truth Table and Relationship between Input Logic, Output Logic and Selected Channel**

Logic Input				Logic Output			Active Channel	Output Voltage
A	B	C	D	BLO	CLO	DLO		
0	0	0	0	0	0	0	All channels OFF, chip is in shutdown mode	0V
0	0	0	1	0	0	0	QD1	B1 vs. B0(GND)
0	0	1	0	0	0	0	QD2	B2 vs. B1
0	0	1	1	0	0	0	QD3	B3 vs. B2
0	1	0	0	0	0	0	QD4	B4 vs. B3
0	1	0	1	0	0	0	QD5	B5 vs. B4
0	1	1	0	0	0	0	QD6	B6 vs. B5
0	1	1	1	0	0	0	QD7	AUX7 vs. GND
1	0	0	0	0	0	0	QD8	AUX8 vs. GND
1	0	0	1	0	0	1	QD6	B6 vs. B5
1	0	1	0	0	1	0	QD6	B6 vs. B5
1	0	1	1	0	1	1	QD6	B6 vs. B5
1	1	0	0	1	0	0	QD6	B6 vs. B5
1	1	0	1	1	0	1	QD6	B6 vs. B5
1	1	1	0	1	1	0	QD6	B6 vs. B5
1	1	1	1	1	1	1	QD6	B6 vs. B5

8-Channels Switch for Multi-Cells Li+/Polymer Battery Pack AP9106

Functional Block Diagram

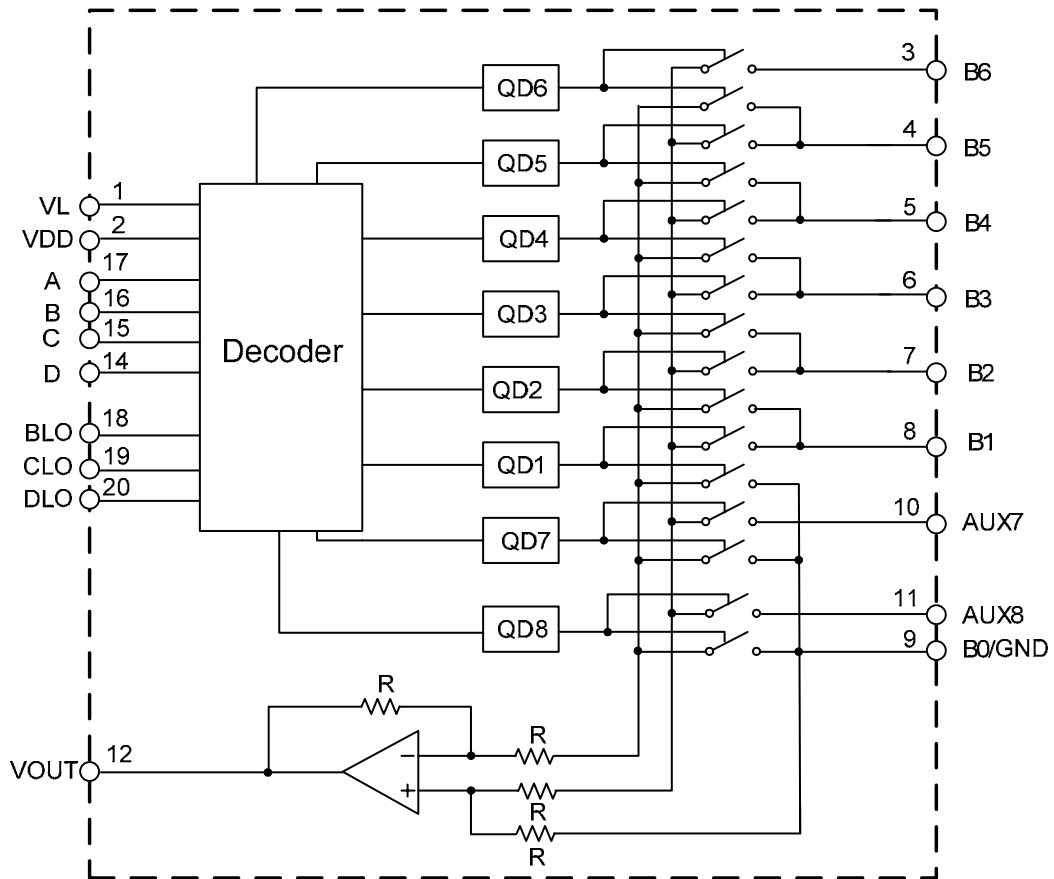
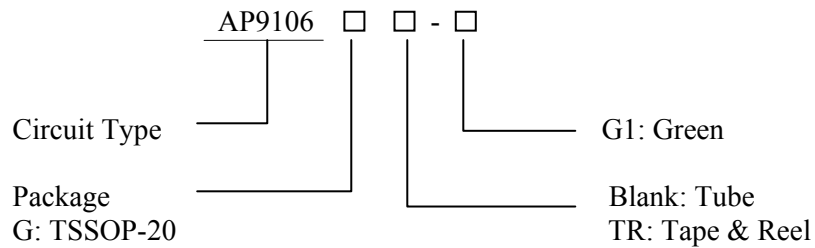


Figure 3. Functional Block Diagram of AP9106

8-Channels Switch for Multi-Cells Li+/Polymer Battery Pack AP9106

Ordering Information



Package	Temperature Range	Part Number	Marking ID	Packing Type
TSSOP-20	-40 to 85°C	AP9106G-G1	AP9106GG	Tube
		AP9106GTR-G1	AP9106GG	Tape & Reel

BCD Semiconductor's Pb-free products, as designated with "G1" suffix in the part number, are RoHS compliant and green.

**8-Channels Switch for Multi-Cells Li+/Polymer Battery Pack AP9106****Absolute Maximum Ratings (Note 3)**

Parameter	Symbol	Value	Unit
Supply Voltage	V _{DD}	-0.3 to 35	V
Voltage between B _N and B _{N+1} , AUX7/AUX8 and GND	V _{CELL}	-0.3 to 5	V
Operating Junction Temperature Range	T _J	150	°C
Storage Temperature Range	T _{STG}	-65 to 150	°C
Lead Temperature (Soldering, 10sec)	T _{LEAD}	260	°C
Thermal Resistance	θ _{JA}	80	°C/W
ESD (Machine Model)		200	V
ESD (Human Body Model)		2000	V

Note 3: Stresses greater than those listed under “Absolute Maximum Ratings” may cause permanent damage to the device. These are stress ratings only, and functional operation of the device at these or any other conditions beyond those indicated under “Recommended Operating Conditions” is not implied. Exposure to “Absolute Maximum Ratings” for extended periods may affect device reliability.

Recommended Operating Conditions

Parameter	Symbol	Min	Max	Unit
Supply Voltage	V _{DD}	6.0	27	V
Battery Cell Voltage	V _{CELL}	2.0	4.5	V
Input Voltage (B6 vs. B5, B5 vs. B4, B4 vs. B3, B3 vs. B2, B2 vs. B1, B1 vs. GND, AUX7/8 vs. GND)	V _{IN}	2.0	4.5	V
Operating Ambient Temperature	T _A	-40	85	°C
Input Logic Level	V _{IL} /V _{IH}	0	5.0	V



8-Channels Switch for Multi-Cells Li+/Polymer Battery Pack AP9106

Electrical Characteristics

$V_{DD}=21.6V$, $V_L=V_{DD}+4.4V=26V$, $T_A=25^{\circ}C$, **Bold** typeface applies over full temperature $-40^{\circ}C \leq T_A \leq 85^{\circ}C$ ranges, unless otherwise specified.

Parameter	Symbol	Test Conditions	Min	Typ	Max	Unit
Supply Voltage	V_{DD}		6.0		27	V
Quiescent Current	I_Q			0.2	0.5	mA
Shutdown Current	I_{SHUT}	Set A, B, C, and D low		1.0	2.0	μA
OPAMP Output Voltage						
Offset Voltage	V_{OS}	Input DC voltage: 2.9V to 4.2V	-100		+100	mV
Output Voltage Switching	V_{OL}		2.0			V
	V_{OH}				4.5	V
Switch						
Bias Current	I_{BIAS}	For B2, B3, B4, B5 and B6 Pin		10	15	μA
		For B1, AUX7, AUX8 Pin			1	
Channel Matching Error between any 2 Channels	E_{MATCH}	Set all channel DC: 2.9V to 4.2V, $T_A=-40$ to $85^{\circ}C$, $(V_{MAX}-V_{MIN})/average(CH1$ to CH7)		± 1		%
Channel Isolation		$f=100Hz$		-80		dB
Output Noise	V_{NO}	BW=100Hz, CH1 to CH7, DC input: 2.9V to 4.2V		50		μV_{RMS}
Channel Switching & Set-up Time	t_{SET}			1.0		ms
Logic Input (Voltage Mode)						
Logic Input High Level	V_{IH}	A, B, C, D	1.0		5.0	V
Logic Input Low Level	V_{IL}	A, B, C, D	0		0.6	V
Input Leakage Current	I_L	Set A, B, C, D low			1.0	μA
Pull Down Resistor	$R_{PULL-DOWN}$	A, B, C, D		1.0		M Ω
Logic Output (Voltage Mode)						
Logic Input Low Level	V_{OL}	BLO, CLO, DLO		V_{DD}		V
Logic Input High Level	V_{OH}	BLO, CLO, DLO		V_L		V

8-Channels Switch for Multi-Cells Li+/Polymer Battery Pack AP9106

Typical Application

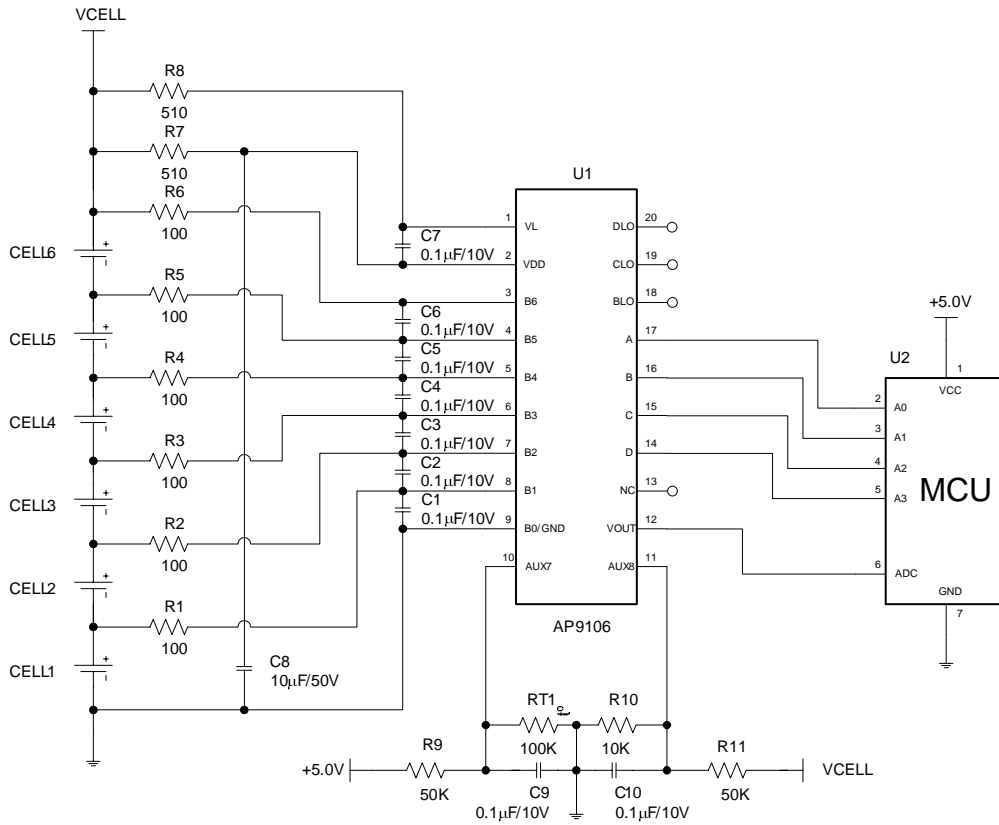


Figure 4. 6-cell Battery (Single Chip) Application for AP9106

Truth Table for 6-cell (Single Chip) Battery Application

Logic Input				Active Channel	Output Voltage
A	B	C	D		
0	0	0	0	All channels OFF, chip is in shutdown mode	0V
0	0	0	1	QD1	VCELL1
0	0	1	0	QD2	VCELL2
0	0	1	1	QD3	VCELL3
0	1	0	0	QD4	VCELL4
0	1	0	1	QD5	VCELL5
0	1	1	0	QD6	VCELL6
0	1	1	1	QD7	VTEMP
1	0	0	0	QD8	VTCELL

8-Channels Switch for Multi-Cells Li+/Polymer Battery Pack AP9106

Typical Application (Continued)

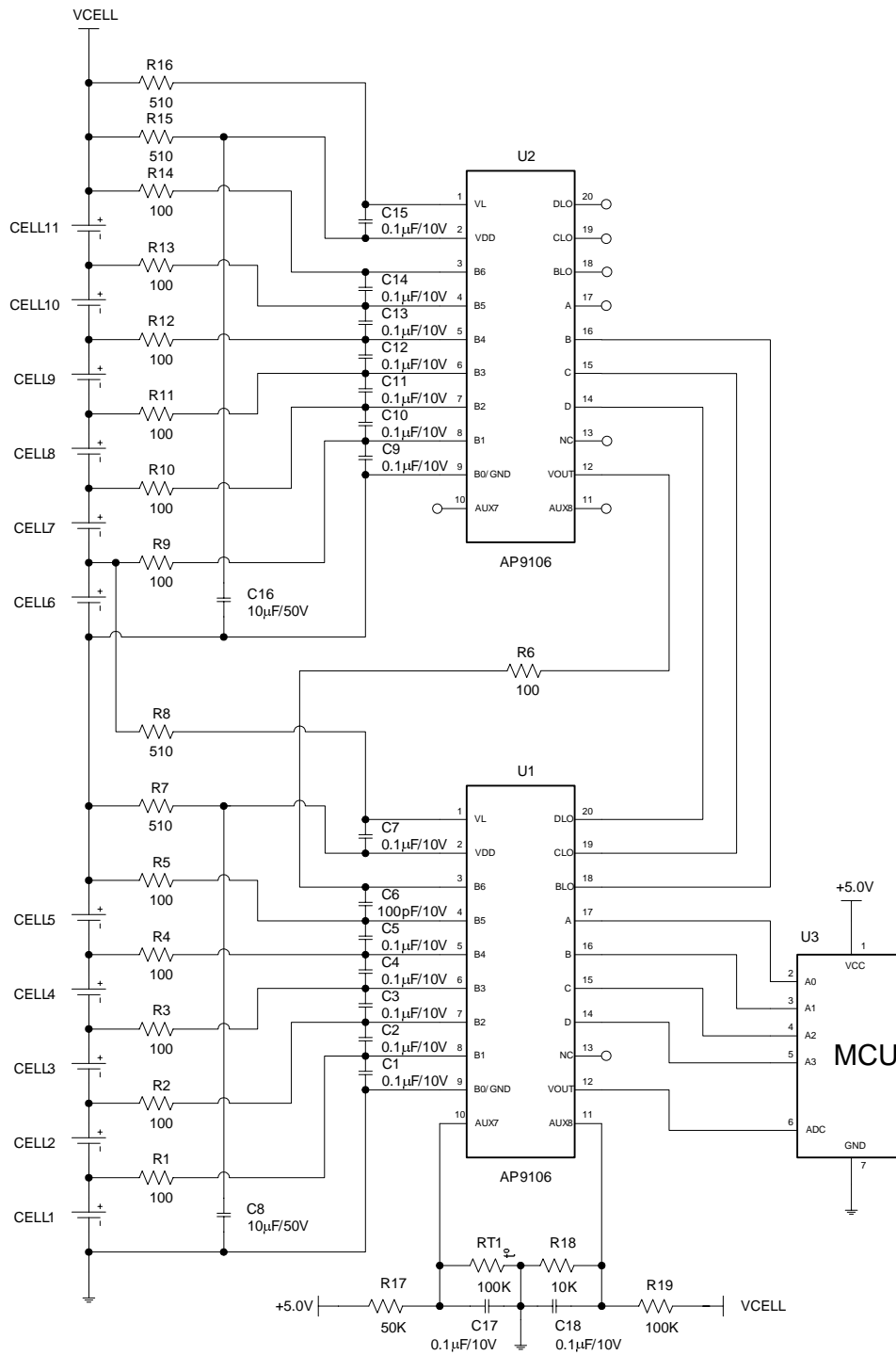


Figure 5. 11-cell Battery (Dual Chips) Application for AP9106

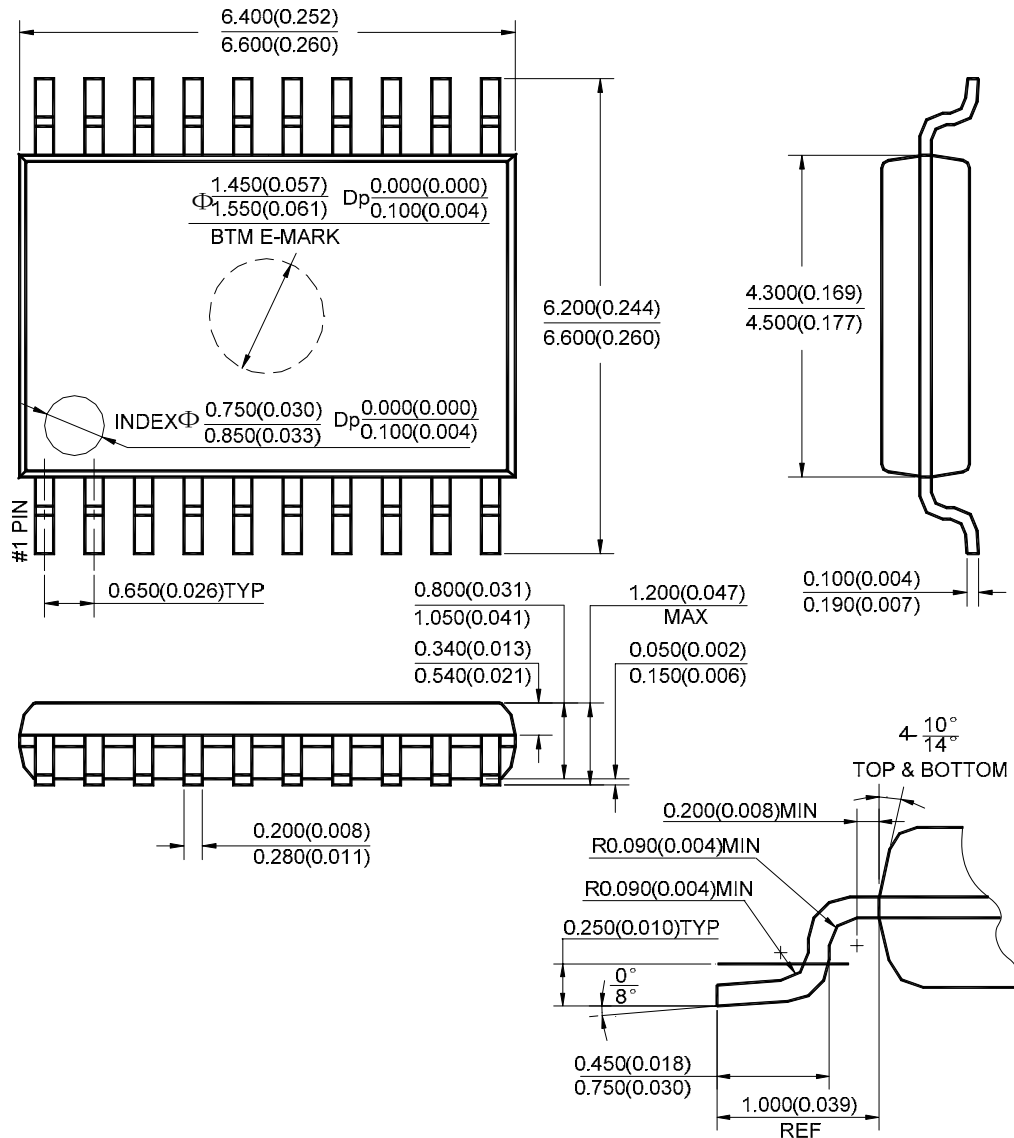
**8-Channels Switch for Multi-Cells Li+/Polymer Battery Pack****AP9106****Truth Table for 11-cell (Dual Chips) Battery Application**

Logic Input				Active Channel (Lower Chip)	Active Channel (Upper Chip)	Output Voltage
A	B	C	D			
0	0	0	0	All channels OFF, chip is in shutdown mode	All channels OFF, chip is in shutdown mode	0V
0	0	0	1	QD1	Shutdown mode	VCELL1
0	0	1	0	QD2	Shutdown mode	VCELL2
0	0	1	1	QD3	Shutdown mode	VCELL3
0	1	0	0	QD4	Shutdown mode	VCELL4
0	1	0	1	QD5	Shutdown mode	VCELL5
0	1	1	0	QD6	Shutdown mode	0V
0	1	1	1	QD7	Shutdown mode	VTEMP
1	0	0	0	QD8	Shutdown mode	VTCELL
1	0	0	1	QD6	QD1	VCELL6
1	0	1	0	QD6	QD2	VCELL7
1	0	1	1	QD6	QD3	VCELL8
1	1	0	0	QD6	QD4	VCELL9
1	1	0	1	QD6	QD5	VCELL10
1	1	1	0	QD6	QD6	VCELL11
1	1	1	1	QD6	QD7	--

Mechanical Dimensions

TSSOP-20

Unit: mm(inch)



Note: Eject hole, oriented hole and mold mark is optional.



BCD Semiconductor Manufacturing Limited

<http://www.bcdsemi.com>

IMPORTANT NOTICE

BCD Semiconductor Manufacturing Limited reserves the right to make changes without further notice to any products or specifications herein. BCD Semiconductor Manufacturing Limited does not assume any responsibility for use of any its products for any particular purpose, nor does BCD Semiconductor Manufacturing Limited assume any liability arising out of the application or use of any its products or circuits. BCD Semiconductor Manufacturing Limited does not convey any license under its patent rights or other rights nor the rights of others.

MAIN SITE

- Headquarters

BCD (Shanghai) Micro-electronics Limited

No. 1600, Zi Xing Road, Shanghai ZiZhu Science-based Industrial Park, 200241, P. R. C.
Tel: +86-021-2416-2266, Fax: +86-021-2416-2277

- Wafer Fab

Shanghai SIM-BCD Semiconductor Manufacturing Co., Ltd.

800 Yishan Road, Shanghai 200233, China
Tel: +021-6485-1491, Fax: +86-021-5450-0008

REGIONAL SALES OFFICE

Shenzhen Office

Shanghai SIM-BCD Semiconductor Manufacturing Co., Ltd., Shenzhen Office

Unit A Room 1203, Skyworth Bldg., Gaoxin Ave.1.S., Nanshan District
Shenzhen 518057, China

Tel: +86-0755-8660-4900, Fax: +86-0755-8660-4958

Taiwan Office (Taipei)

BCD Semiconductor (Taiwan) Company Limited

3F, No.17, Lane 171, Sec. 2, Jiu-Zong Rd., Nei-Hu Dist., Taipei(114), Taiwan, R.O.C
Tel: +886-2-2656-2808

Fax: +886-2-2656-2806/26562950

Taiwan Office (Hsinchu)

BCD Semiconductor (Taiwan) Company Limited

8F, No.176, Sec. 2, Gong-Dao 5th Road, East District
HsinChu City 300, Taiwan, R.O.C

Tel: +886-3-5160181, Fax: +886-3-5160181

USA Office

BCD Semiconductor Corp.

48460 Kato Road, Fremont, CA 94538, USA
Tel: +1-510-668-1950

Fax: +1-510-668-1990

Korea Office

BCD Semiconductor Limited Korea office.

Room 101-1112, Digital-Empire II, 486 Sin-dong,
Yeongtong-Gu, Suwon-city, Gyeonggi-do, Korea

Tel: +82-31-695-8430

Компания «Океан Электроники» предлагает заключение долгосрочных отношений при поставках импортных электронных компонентов на взаимовыгодных условиях!

Наши преимущества:

- Поставка оригинальных импортных электронных компонентов напрямую с производств Америки, Европы и Азии, а так же с крупнейших складов мира;
- Широкая линейка поставок активных и пассивных импортных электронных компонентов (более 30 млн. наименований);
- Поставка сложных, дефицитных, либо снятых с производства позиций;
- Оперативные сроки поставки под заказ (от 5 рабочих дней);
- Экспресс доставка в любую точку России;
- Помощь Конструкторского Отдела и консультации квалифицированных инженеров;
- Техническая поддержка проекта, помощь в подборе аналогов, поставка прототипов;
- Поставка электронных компонентов под контролем ВП;
- Система менеджмента качества сертифицирована по Международному стандарту ISO 9001;
- При необходимости вся продукция военного и аэрокосмического назначения проходит испытания и сертификацию в лаборатории (по согласованию с заказчиком);
- Поставка специализированных компонентов военного и аэрокосмического уровня качества (Xilinx, Altera, Analog Devices, Intersil, Interpoint, Microsemi, Actel, Aeroflex, Peregrine, VPT, Syfer, Eurofarad, Texas Instruments, MS Kennedy, Miteq, Cobham, E2V, MA-COM, Hittite, Mini-Circuits, General Dynamics и др.);

Компания «Океан Электроники» является официальным дистрибьютором и эксклюзивным представителем в России одного из крупнейших производителей разъемов военного и аэрокосмического назначения «JONHON», а так же официальным дистрибьютором и эксклюзивным представителем в России производителя высокотехнологичных и надежных решений для передачи СВЧ сигналов «FORSTAR».



JONHON

«JONHON» (основан в 1970 г.)

Разъемы специального, военного и аэрокосмического назначения:

(Применяются в военной, авиационной, аэрокосмической, морской, железнодорожной, горно- и нефтедобывающей отраслях промышленности)

«FORSTAR» (основан в 1998 г.)

ВЧ соединители, коаксиальные кабели, кабельные сборки и микроволновые компоненты:

(Применяются в телекоммуникациях гражданского и специального назначения, в средствах связи, РЛС, а так же военной, авиационной и аэрокосмической отраслях промышленности).



Телефон: 8 (812) 309-75-97 (многоканальный)

Факс: 8 (812) 320-03-32

Электронная почта: ocean@oceanchips.ru

Web: <http://oceanchips.ru/>

Адрес: 198099, г. Санкт-Петербург, ул. Калинина, д. 2, корп. 4, лит. А