

| ATLANTIC VERSION TERMINATOR INTERFACE ADAPTER | PART NUMBER | REVISION                 | DESCRIPTION                    | FEED TYPE                      | APPLICATOR STYLE CONVERSION CHART |                       |           |             |           |             |                        |
|---|-------------|--------------------------|--------------------------------|--------------------------------|-----------------------------------|-----------------------|-----------|-------------|-----------|-------------|------------------------|
|   |             |                          |                                |                                | CONVERT TO                        | PART NUMBERS REQUIRED |           |             |           |             |                        |
|   | 2151246-1   | A                        | FINE CRIMP HEIGHT ADJUST       | MECHANICAL                     | PNEUMATIC FEED                    | 2119950-1             | 1338685-1 | 5-18022-5   | 2119641-1 | 2119799-1   | 2063440-1              |
|   |             |                          |                                |                                | SERVO LATCH PLATE                 | 2119951-1             | -         | 8-2151246-5 | 1901094-3 | 1-1752354-2 | 2168400-6 (QUANTITY 2) |
|   |             |                          |                                |                                | SMART APPLICATOR                  | 2161326-1             | -         | 8-2151246-4 | -         | -           | -                      |
|   | 2151246-2   | A                        | FINE CRIMP HEIGHT ADJUST       | PNEUMATIC                      | MECHANICAL FEED                   | 2119949-1             | 1338685-1 | 5-18022-5   | 2119653-1 | -           | -                      |
|   |             |                          |                                |                                | SERVO LATCH PLATE                 | 2119951-1             | -         | 8-2151246-5 | 1901094-3 | 1-1752354-2 | 2168400-6 (QUANTITY 2) |
|   |             |                          |                                |                                | SMART APPLICATOR                  | 2161326-1             | -         | 8-2151246-4 | -         | -           | -                      |
|   | 2151246-5   | A                        | FINE CRIMP HEIGHT ADJUST       | SERVO LATCH PLATE <sup>4</sup> | MECHANICAL FEED                   | 2119949-1             | 1338685-1 | 5-18022-5   | 2119653-1 | -           | -                      |
| PNEUMATIC FEED                                |             |                          |                                |                                | 2119950-1                         | 1338685-1             | 5-18022-5 | 2119641-1   | 2119799-1 | 2063440-1   |                        |
| 2151246-6                                     | A           | NON-CRIMP HEIGHT ADJUST  | SERVO LATCH PLATE <sup>4</sup> | -                              | -                                 | -                     | -         | -           | -         | -           |                        |
| 2151246-7                                     | A           | FINE CRIMP HEIGHT ADJUST | NONE                           | -                              | -                                 | -                     | -         | -           | -         | -           |                        |
| 7-2151246-7                                   | A           | CRIMP TOOLING KIT        | -                              | -                              | -                                 | -                     | -         | -           | -         | -           |                        |

| APPLICATOR DATA |                |      |
|-----------------|----------------|------|
| CRIMP           | SIZE           | TYPE |
| WIRE            | 1.22 mm [.048] | F    |
| INSUL           | 1.57 mm [.062] | F    |

APPLICATOR INSTRUCTIONS  
408-10389

| TERMINAL DATA: TE TERMINAL                      |             | TE CRIMP SPECIFICATION       |             |
|---|-------------|------------------------------|-------------|
| TERMINAL NAME: LOW PROFILE MINI AMP IN TERMINAL |             |                              |             |
| WIRE STRIP LENGTH                               |             | INSULATION DIAMETER RANGE    |             |
| 2.80-3.20 mm [.110-.126 IN]                     |             | Ø1.40-1.50 mm [.055-.059 IN] |             |
| TERMINAL APPLICATION SPECIFICATION              | 114-5062-1  | -                            | -           |
| TERMINALS APPLIED                               |             |                              |             |
| TE TERMINAL                                     | TE TERMINAL | TE TERMINAL                  | TE TERMINAL |
| 172782-5  | 172782-7    | 172782-9                     | 1-172782-2  |

| WIRE SIZE         | CRIMP HEIGHT mm [INCH]     | CRIMP HEIGHT REFERENCE SETTING |
|-------------------|----------------------------|--------------------------------|
| 22 AWG OR 0.30mm2 | 0.85+/-0.05 [.033+/- .002] | 7.9                            |
| 24 AWG OR 0.20mm2 | 0.77+/-0.05 [.030+/- .002] | 8.9                            |
| 26 AWG OR 0.13mm2 | 0.72+/-0.05 [.028+/- .002] | 9.3                            |

- RECOMMENDED SPARE PARTS
- GREASE BEARING SURFACES LIGHTLY
- 3. LUBRICATE DAILY PER THE APPLICATOR INSTRUCTION SHEET SUPPLIED WITH THE APPLICATOR.
- APPLICATOR SPECIFIC DATA TO BE ENTERED INTO BLANK MEMORY CHIP AT ASSEMBLY. SEE BELOW FOR PART NUMBER:  
 MECHANICAL FEED WITH "SMART APPLICATOR" CONVERSION: 8-2151246-4  
 PNEUMATIC FEED WITH "SMART APPLICATOR" CONVERSION: 8-2151246-4  
 SERVO FEED WITH "FINE CRIMP HEIGHT ADJUST": 8-2151246-5  
 SERVO FEED WITH "NON-CRIMP HEIGHT ADJUST": 8-2151246-6
- 5. ADJUSTMENT OF THE STRIPPER MAY BE REQUIRED WHEN MOVING THE APPLICATOR BETWEEN BENCH AND LEADMAKER APPLICATIONS.
- APPLY PART NUMBER 1-23419-5 LOCTITE TO THREADS OF ITEMS 62, 180 & 242. FOR -6 ONLY APPLY PART NUMBER 1-23419-5 LOCTITE TO THREADS OF ITEMS 37, 180 & 242.
- GREASE THREADS, GROOVE AND O-RING ON ITEMS 35 & 252.
- MAGNET, ITEM 166 MUST BE ORIENTED CORRECTLY IN ORDER TO PROPERLY ACTUATE THE COUNTER.
- CRIMP HEIGHT REFERENCE SETTING WAS THE SETTING USED WHEN THE APPLICATOR WAS QUALIFIED AT THE FACTORY. ADJUSTMENT MAY BE NECESSARY WHEN RUNNING APPLICATOR IN THE FIELD.
- SPARE FEED CAM STORAGE LOCATION REFER TO INSTRUCTION SHEET FOR ADDITIONAL INFORMATION.
- TO CONVERT THE APPLICATOR TO A NON-CARRIER CUTTING STYLE, REMOVE ITEM 13 AND ATTACH TO THE LOCATION ON THE BACK SIDE OF THE HOUSING. REFER TO INSTRUCTION SHEET FOR ADDITIONAL INFORMATION.
- WHEN ASSEMBLING A NON CRIMP HEIGHT ADJUST APPLICATOR (-6) USE SHIMS FROM ITEM 260 TO ACHIEVE A NOMINAL SHIM HEIGHT OF 4.95.

**\*WARNING**  
ON INSTALLATION, SET WIRE DISC, ITEM 40 TO LARGEST WIRE SIZE SETTING. USE OF SETTINGS BELOW MINIMUM REQUIRED CRIMP HEIGHT SETTING WILL CAUSE DAMAGE TO CRIMP TOOLING.

| -77 | -7 | -6 | -5 | -2 | -1 | PART NO   | DESCRIPTION                         | ITEM NO |
|-----|----|----|----|----|----|-----------|-------------------------------------|---------|
| -   | -  | 1  | -  | -  | -  | 2119957-2 | APPLICATOR SHIM PACK                | 260     |
| -   | 1  | -  | 1  | 1  | 1  | 8-21084-0 | O-RING, .676 ID, .070 DIA. MAT.     | 252     |
| -   | -  | -  | -  | 1  | -  | 2119640-1 | PUSH ROD, AIR FEED                  | 250     |
| -   | -  | -  | -  | 1  | -  | 2079988-1 | BUSHING, LCH5-12, MISUMI            | 249     |
| -   | -  | -  | -  | 1  | -  | 2119641-1 | FEED CAM, AIR FEED                  | 248     |
| -   | 1  | -  | 1  | 1  | 1  | 2119798-1 | DETENT PIN                          | 247     |
| -   | 1  | -  | 1  | 1  | 1  | 1-22279-3 | SPRING, COMPRESSION                 | 246     |
| -   | -  | 1  | -  | -  | -  | 2119758-1 | RAM, AMP STYLE, SIDE FEED, NON-ADJ. | 245     |
| -   | 1  | 1  | 1  | 1  | 1  | 2119082-8 | CAM, SNAIL, INSULATION ADJUSTMENT   | 244     |
| -   | 1  | 1  | 1  | 1  | 1  | 2079764-1 | WASHER, WAVE SPRING, CREST-TO-CREST | 243     |
| -   | 1  | 1  | 1  | 1  | 1  | 2119083-1 | RETAINER, INSULATION DIAL           | 242     |
| -   | 1  | 1  | 1  | 1  | 1  | 7-18023-7 | SCR, SKT HD CAP M3 X 4.0            | 241     |

**ATLANTIC VERSION**  
Shown on sheets 1 of 4 & 2 of 4  
(Pacific version shown on sheets 3 of 4 & 4 of 4)

| SET UP GAUGE | LOC | DIST | REVISIONS |             |           |       |
|--------------|-----|------|-----------|-------------|-----------|-------|
| 2119599-1    | A   | 66   | REV       | DATE        | BY        | APPV  |
|              |     |      | 1         | DEVELOPMENT | 06SEP2013 | XZ XZ |
|              |     |      | A         | RELEASED    | 30SEP2013 | BH TE |

|   |     |     |     |     |     |             |                                     |     |
|---|-----|-----|-----|-----|-----|-------------|-------------------------------------|-----|
| - | -   | 2   | 2   | -   | -   | 2168400-6   | SHCS, LOW HEAD, RoHS, M5 X 16       | 240 |
| - | -   | -   | -   | -   | 1   | 2119580-1   | MECHANICAL FEED ASSEMBLY            | 239 |
| - | -   | -   | -   | 1   | -   | 2063440-1   | AIR FEED MODULE                     | 238 |
| - | -   | 1   | 1   | -   | -   | 2119740-2   | TAG, IDENTIFICATION                 | 213 |
| - | -   | 1   | 1   | -   | -   | 1901094-3   | SPACER, FEEDER                      | 198 |
| - | 1   | 1   | 1   | 1   | 1   | 1-1752354-2 | STANDOFF, HOLD-DOWN                 | 180 |
| - | 1   | 1   | 1   | 1   | 1   | 993111-1    | PIN, SLOTTED SPRING 3.0 X 20.0      | 177 |
| - | 1   | 1   | 1   | 1   | 1   | 8-22280-7   | SPRING, COMPRESSION                 | 176 |
| - | 1   | 1   | 1   | 1   | 1   | 1752353-2   | GUIDE PIN, HOLDDOWN                 | 175 |
| - | 1   | 1   | 1   | 1   | 1   | 1901680-2   | GUIDE PIN, HOLDDOWN                 | 174 |
| - | -   | -   | -   | 2   | -   | 21045-3     | RING, RETAIN, EXTERN, 3/16 CRESCENT | 172 |
| - | 1   | 1   | 1   | 1   | 1   | 994969-1    | MAGNET, RARE EARTH HIGH ENERGY      | 166 |
| - | REF | REF | REF | REF | REF | 994970-2    | COUNTER, MAGNETIC                   | 164 |
| - | -   | -   | -   | 1   | -   | 240638-1    | SPRING, FEED FINGER                 | 163 |
| - | -   | -   | -   | 1   | -   | 3-23627-7   | PIN, RETAIN, GRVD, 3/16 X .854      | 137 |
| - | -   | -   | -   | 1   | -   | 2119799-1   | HOLDER, FEED FINGER, AF             | 136 |
| - | -   | REF | REF | -   | -   | SEE NOTE 4  | MEMORY CHIP, PROGRAMMED             | 135 |
| - | -   | 1   | 1   | -   | -   | 1633743-1   | SERVO FEED LATCH ASM                | 133 |
| - | 1   | 1   | 1   | 1   | 1   | 1-18028-2   | WASHER, FLAT, REG M4                | 119 |
| - | -   | REF | REF | -   | -   | 2119944-1   | FEED FINGER ASSEMBLY, SF            | 117 |
| - | 1   | 1   | 1   | 1   | 1   | 1-690438-0  | FRONT STRIP GUIDE                   | 96  |
| - | 2   | 2   | 2   | 2   | 2   | 2168083-1   | SCR, SKT HD CAP, RoHS, M3 X 8.0     | 95  |
| - | 1   | 1   | 1   | 1   | 1   | 455888-5    | SPACER, CRIMPER                     | 82  |
| - | 1   | 1   | 1   | 1   | 1   | 2119956-1   | DOCUMENTATION PACKAGE               | 71  |
| - | 1   | -   | -   | 1   | 1   | 2119740-1   | TAG, IDENTIFICATION                 | 67  |
| - | 2   | 2   | 2   | 2   | 2   | 2168078-1   | SCREW, DRIVE, RH, RoHS, 2 x .188    | 66  |
| - | 1   | -   | -   | 1   | 1   | 2119793-1   | LIMITER, ADJUSTMENT BOLT            | 63  |
| - | 3   | -   | 3   | 3   | 3   | 992763-5    | SCR, SET, SOC, CONE POINT, M3 X 4.0 | 62  |
| - | 2   | 2   | 2   | 2   | 2   | 2-18032-5   | SCR, SET, FLT POINT M5 X 20.0       | 61  |
| - | 1   | 1   | 1   | 1   | 1   | 2079383-4   | SCR, BHSC, RoHS (M4 X 8)            | 60  |
| - | -   | -   | -   | 1   | 1   | 5-18022-5   | SCR, HEX HD CAP, M4 X 6.0           | 59  |
| - | -   | -   | -   | 1   | 1   | 1338685-1   | PAWL, FEED                          | 56  |
| - | 4   | 4   | 4   | 4   | 4   | 2168400-1   | SHCS, LOW HEAD, RoHS, M4 X 12       | 54  |
| - | 1   | 1   | 1   | 1   | 1   | 1-5018030-0 | NUT, HEX, REG, RoHS, M3.5           | 52  |
| - | 1   | 1   | 1   | 1   | 1   | 1-1901681-8 | HOLDDOWN, TERMINAL                  | 51  |
| - | -   | -   | -   | 1   | 2   | 18023-9     | SCR, SKT HD CAP M4 X 6.0            | 49  |
| - | -   | -   | -   | -   | 1   | 2119652-1   | FEED CAM, PRE FEED                  | 48  |
| - | -   | -   | -   | -   | 1   | 2119653-1   | FEED CAM, POST FEED                 | 47  |
| - | 1   | 1   | 1   | 1   | 1   | 2119656-9   | APPLICATOR BASIC ASSEMBLY, SF       | 46  |
| - | 1   | -   | 1   | 1   | 1   | 2119370-1   | RAM, AMP STYLE, SIDE FEED           | 44  |
| - | 1   | 1   | 1   | 1   | 1   | 2079383-7   | SCR, BHSC, RoHS (M8 X 25)           | 41  |
| - | 1   | -   | 1   | 1   | 1   | 2119645-1   | DISC, NUMBERED FA WIRE ADJUSTMENT   | 40  |
| - | 1   | -   | 1   | 1   | 1   | 2119957-1   | APPLICATOR SHIM PACK                | 39  |
| - | 1   | 1   | 1   | 1   | 1   | 2119644-1   | RAM WASHER, PRECISION               | 38  |
| - | 1   | 1   | 1   | 1   | 1   | 2119085-1   | FA HEAD, ATLANTIC STYLE             | 37  |
| - | 1   | -   | 1   | 1   | 1   | 2119092-1   | BOLT, ADJUSTMENT                    | 35  |
| - | 1   | 1   | 1   | 1   | 1   | 1-1752356-9 | SUPPORT, TERMINAL                   | 34  |
| - | 2   | 2   | 2   | 2   | 2   | 2079383-5   | SCR, BHSC, RoHS (M4 X 20)           | 33  |
| - | 1   | 1   | 1   | 1   | 1   | 2161328-1   | HEX HEAD, FLANGED, M5 x 8mm LONG    | 32  |
| - | 1   | 1   | 1   | 1   | 1   | 1320908-6   | SPACER, STRIP GUIDE                 | 30  |
| - | 1   | 1   | 1   | 1   | 1   | 2119959-3   | ASSEMBLY, STRIP GUIDE               | 29  |
| - | 1   | 1   | 1   | 1   | 1   | 1-455888-0  | SPACER, CRIMPER                     | 28  |
| - | 2   | 2   | 2   | 2   | 2   | 22283-1     | SPRING, COMPRESSION                 | 27  |
| - | 1   | 1   | 1   | 1   | 1   | 356835-1    | LEVER, DRAG RELEASE                 | 26  |
| - | 1   | 1   | 1   | 1   | 1   | 240792-5    | DRAG, TERMINAL                      | 25  |
| - | 1   | 1   | 1   | 1   | 1   | 1320928-2   | STRIP GUIDE                         | 24  |
| - | 1   | 1   | 1   | 1   | 1   | 980371-4    | SCR, SKT HD SHLDR 5.0 DIA X 6.0     | 23  |
| - | 1   | 1   | 1   | 1   | 1   | 2168083-2   | SCR, SKT HD CAP, RoHS, M4 X 8.0     | 21  |
| - | 1   | 1   | 1   | 1   | 1   | 1-18028-2   | WASHER, FLAT, REG M4                | 20  |
| - | 1   | 1   | 1   | 1   | 1   | 2119533-3   | STRIPPER, SIDE FEED                 | 19  |
| - | 1   | 1   | 1   | 1   | 1   | 2119806-1   | INSERT, SHEAR                       | 13  |
| - | 1   | 1   | 1   | 1   | 1   | 3-22280-3   | SPRING, COMPRESSION                 | 12  |
| - | 1   | 1   | 1   | 1   | 1   | 1-356885-4  | STOP, SHEAR                         | 11  |
| - | 1   | 1   | 1   | 1   | 1   | 2119805-1   | SHEAR HOLDER, FRONT                 | 10  |
| - | 1   | 1   | 1   | 1   | 1   | 1803095-1   | FLOATING SHEAR, FRONT               | 9   |
| - | 1   | 1   | 1   | 1   | 1   | 4-1333225-3 | ANVIL, COMBINATION                  | 8   |
| - | -   | -   | -   | -   | -   | -           | -                                   | 7   |
| - | -   | -   | -   | -   | -   | -           | -                                   | 6   |
| - | 1   | 1   | 1   | 1   | 1   | 2119757-5   | DEPRESSOR, SHEAR                    | 5   |
| - | 1   | 1   | 1   | 1   | 1   | 1-238011-3  | BLOCK, CRIMPER SPACER               | 4   |
| - | 1   | 1   | 1   | 1   | 1   | 4-1633961-0 | CRIMPER, INSULATION F PREMIUM       | 3   |
| - | -   | -   | -   | -   | -   | -           | -                                   | 2   |
| - | 1   | 1   | 1   | 1   | 1   | 568176-5    | CRIMPER, WIRE                       | 1   |

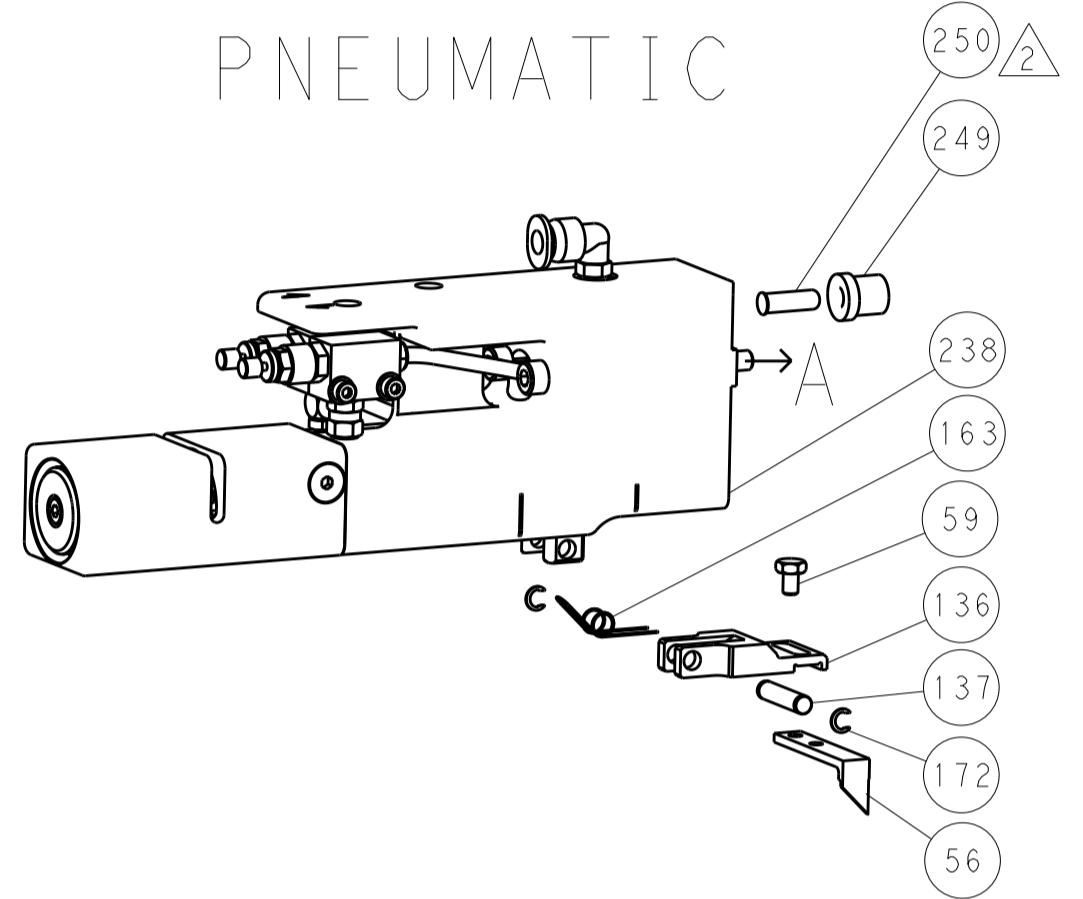
| DIMENSIONS: |           | TOLERANCES UNLESS OTHERWISE SPECIFIED: |           | MATERIAL: |           | FINISH:       |        | WEIGHT: |       | SCALE: |     |
|-------------|-----------|--|-----------|-----------|-----------|---------------|--------|---------|-------|--------|-----|
| mm          | 0 PLC ±.5 | 1 PLC ±.5                              | 2 PLC ±.5 | 3 PLC ±.5 | 4 PLC ±.5 | ANGLES ±.0001 | FINISH | WT      | SCALE | SHEET  | REV |
|             |           |  |           |           |           |               |        |         | 1:2   | 1 OF 4 | A   |

| LOC |    | DIST |     | REVISIONS   |      |     |      |
|-----|----|------|-----|-------------|------|-----|------|
| A   | 66 | P    | LTM | DESCRIPTION | DATE | OWN | APVD |
|     |    | -    |     | SEE SHEET 1 |      |     |      |

### FEED TYPE MECHANICAL



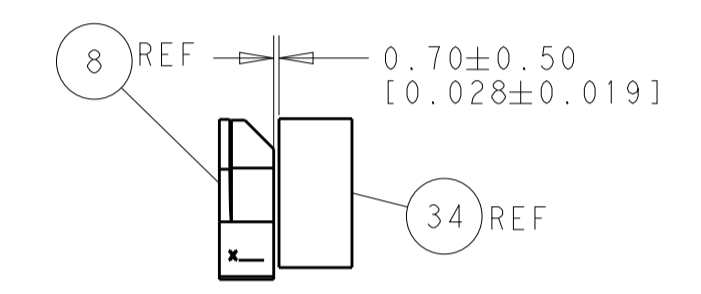
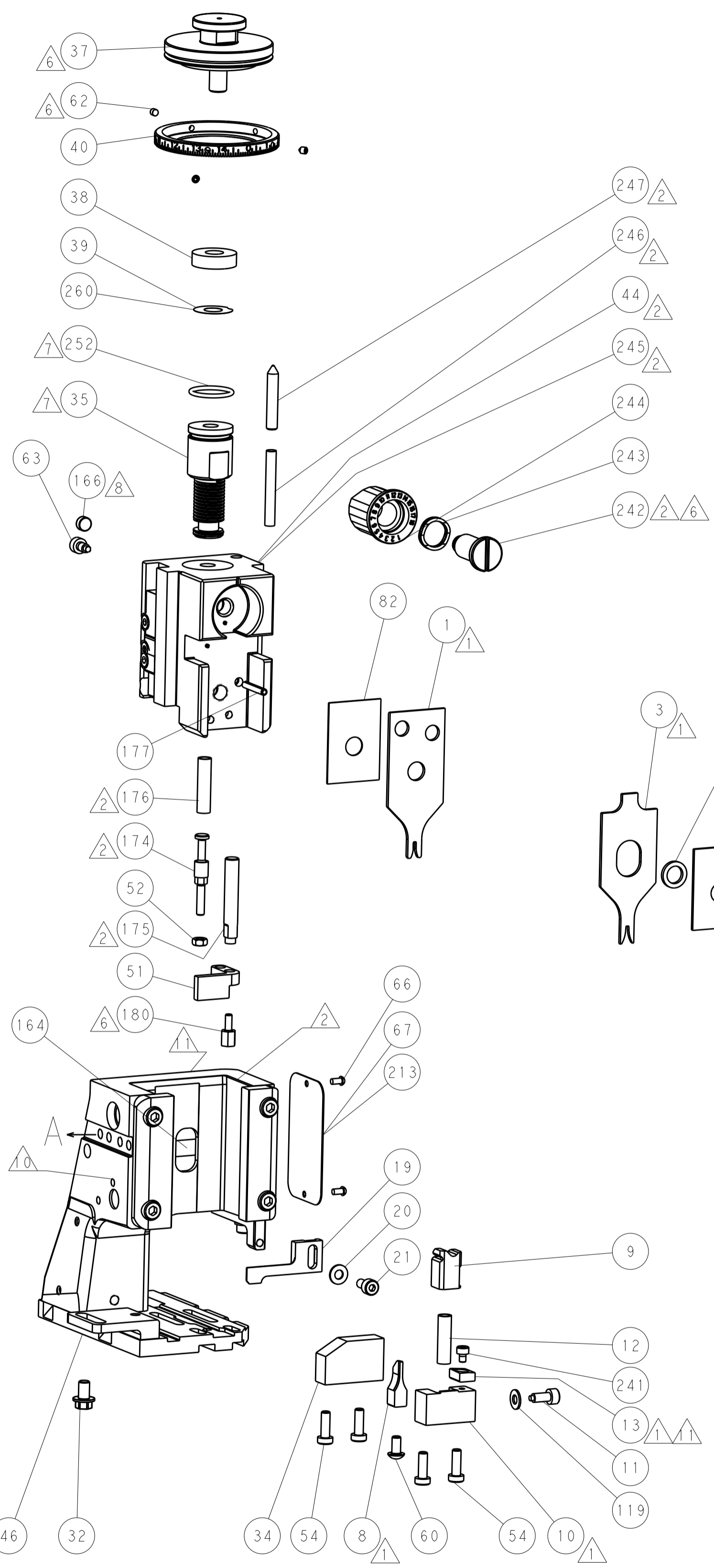
### PNEUMATIC



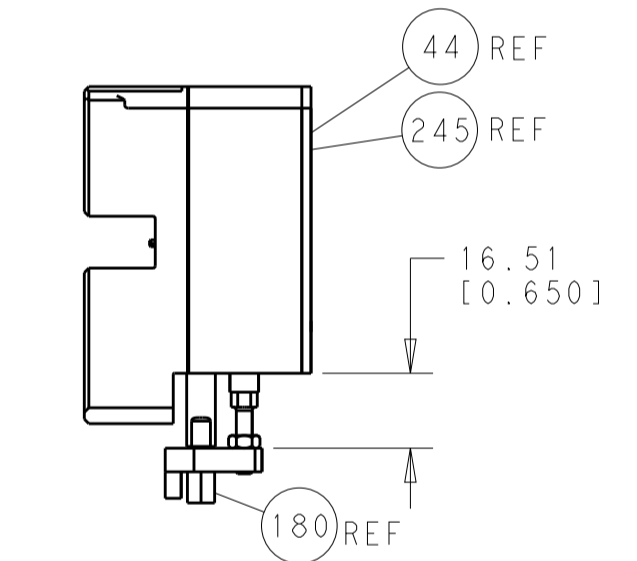
### SERVO LATCH PLATE



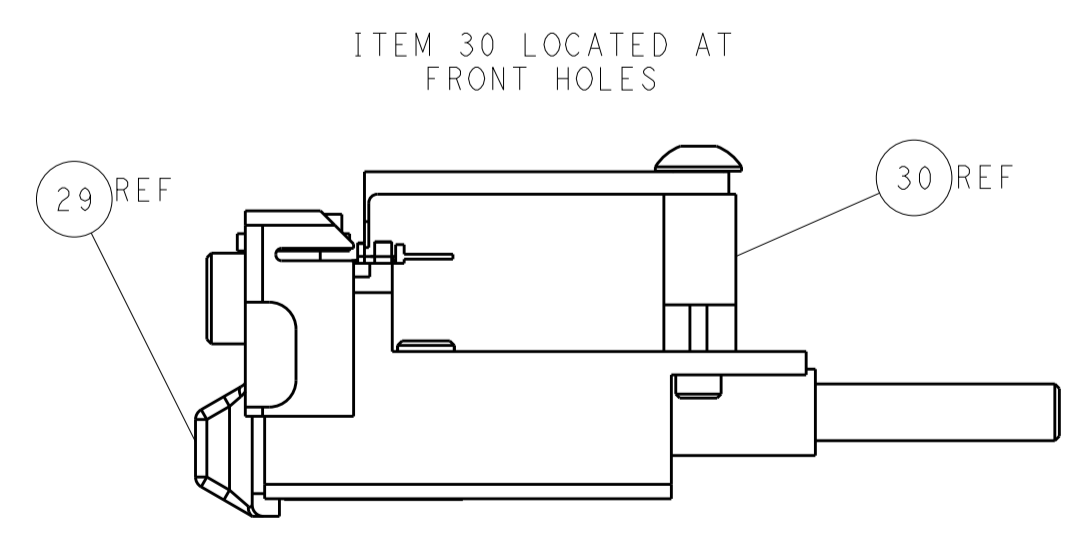
### CAM POSITIONS



TERMINAL SUPPORT LOCATION



HOLDDOWN SET-UP



FEED TRACK POSITION GUIDE BY INSULATION BARREL

**ATLANTIC VERSION**  
 Shown on sheets 1 of 4 & 2 of 4  
 (Pacific version shown on sheets 3 of 4 & 4 of 4)

|             |            |  |             |  |              |                            |                           |
|-------------|------------|--|-------------|--|--------------|----------------------------|---------------------------|
| DIMENSIONS: |            | TOLERANCES UNLESS OTHERWISE SPECIFIED: |             | DWN X ZHAO 06SEP2013                   |              | TE Connectivity            |                           |
| mm          | 0 PLC ±0.5 | 1 PLC ±0.5                             | 2 PLC ±0.13 | 3 PLC ±0.013                           | 4 PLC ±0.001 | CHG T. ELBIN 06SEP2013     | Harrisburg, PA 17105-3608 |
| MATERIAL:   |            | FINISH:                                |             | APVD L. ZHANG 06SEP2013                |              | NAME                       |                           |
|             |            |  |             | Customer Accessible Production Drawing |              | Ocean Side Feed Applicator |                           |
|             |            |  |             | SCALE 1:2                              |              | RESTRICTED TO              |                           |
|             |            |  |             | SHEET 2 OF 4                           |              | REV A                      |                           |

| PACIFIC VERSION TERMINATOR INTERFACE ADAPTER | PART NUMBER | REVISION | DESCRIPTION              | FEED TYPE         | APPLICATOR STYLE CONVERSION CHART |                       |           |             |           |             |                        |
|--|-------------|----------|--------------------------|-------------------|-----------------------------------|-----------------------|-----------|-------------|-----------|-------------|------------------------|
|  |             |          |                          |                   | CONVERT TO                        | PART NUMBERS REQUIRED |           |             |           |             |                        |
|  | 2-2151246-1 | A        | FINE CRIMP HEIGHT ADJUST | MECHANICAL        | PNEUMATIC FEED                    | 2119950-1             | 1338685-1 | 5-18022-5   | 2119641-2 | 2119799-1   | 2063440-1              |
|  |             |          |                          |                   | SERVO LATCH PLATE                 | 2119951-1             | -         | 8-2151246-5 | 1901094-3 | 1-1752354-2 | 2168400-6 (QUANTITY 2) |
|  |             |          |                          |                   | SMART APPLICATOR                  | 2161326-1             | -         | 8-2151246-4 | -         | -           | -                      |
|  | 2-2151246-2 | A        | FINE CRIMP HEIGHT ADJUST | PNEUMATIC         | MECHANICAL FEED                   | 2119949-1             | 1338685-1 | 5-18022-5   | 2119653-2 | -           | -                      |
|  |             |          |                          |                   | SERVO LATCH PLATE                 | 2119951-1             | -         | 8-2151246-5 | 1901094-3 | 1-1752354-2 | 2168400-6 (QUANTITY 2) |
|  |             |          |                          |                   | SMART APPLICATOR                  | 2161326-1             | -         | 8-2151246-4 | -         | -           | -                      |
|  | 2-2151246-5 | A        | FINE CRIMP HEIGHT ADJUST | SERVO LATCH PLATE | MECHANICAL FEED                   | 2119949-1             | 1338685-1 | 5-18022-5   | 2119653-2 | -           | -                      |
|  |             |          |                          |                   | PNEUMATIC FEED                    | 2119950-1             | 1338685-1 | 5-18022-5   | 2119641-2 | 2119799-1   | 2063440-1              |
|  | 2-2151246-7 | A        | FINE CRIMP HEIGHT ADJUST | NONE              | -                                 | -                     | -         | -           | -         | -           | -                      |
|  | 7-2151246-7 | A        | CRIMP TOOLING KIT        | -                 | -                                 | -                     | -         | -           | -         | -           | -                      |

| APPLICATOR DATA                      |                |      |
|--------------------------------------|----------------|------|
| CRIMP                                | SIZE           | TYPE |
| WIRE                                 | 1.22 mm [.048] | F    |
| INSUL                                | 1.57 mm [.062] | F    |
| APPLICATOR INSTRUCTIONS<br>408-10389 |                |      |

| TERMINAL DATA: TE TERMINAL                      |             | TE CRIMP SPECIFICATION       |             |
|---|-------------|------------------------------|-------------|
| TERMINAL NAME: LOW PROFILE MINI AMP IN TERMINAL |             |                              |             |
| WIRE STRIP LENGTH                               |             | INSULATION DIAMETER RANGE    |             |
| 2.80-3.20 mm [1.10-.126 IN]                     |             | Ø1.40-1.50 mm [.055-.059 IN] |             |
| TERMINAL APPLICATION SPECIFICATION              | 114-5062-1  | -                            | -           |
| TERMINALS APPLIED                               |             |                              |             |
| TE TERMINAL                                     | TE TERMINAL | TE TERMINAL                  | TE TERMINAL |
| 172782-5  | 172782-7    | 172782-9                     | 1-172782-2  |

| WIRE SIZE         | CRIMP HEIGHT mm [INCH]     | CRIMP HEIGHT REFERENCE SETTING |
|-------------------|----------------------------|--------------------------------|
| 22 AWG OR 0.30mm2 | 0.85+/-0.05 [.033+/-0.002] | 7.9                            |
| 24 AWG OR 0.20mm2 | 0.77+/-0.05 [.030+/-0.002] | 8.9                            |
| 26 AWG OR 0.13mm2 | 0.72+/-0.05 [.028+/-0.002] | 9.3                            |

- RECOMMENDED SPARE PARTS
- GREASE BEARING SURFACES LIGHTLY
- LUBRICATE DAILY PER THE APPLICATOR INSTRUCTION SHEET SUPPLIED WITH THE APPLICATOR.
- APPLICATOR SPECIFIC DATA TO BE ENTERED INTO BLANK MEMORY CHIP AT ASSEMBLY. SEE BELOW FOR PART NUMBER:  
 MECHANICAL FEED WITH "SMART APPLICATOR" CONVERSION: 8-2151246-4  
 PNEUMATIC FEED WITH "SMART APPLICATOR" CONVERSION: 8-2151246-4  
 SERVO FEED WITH "FINE CRIMP HEIGHT ADJUST": 8-2151246-5
- ADJUSTMENT OF THE STRIPPER MAY BE REQUIRED WHEN MOVING THE APPLICATOR BETWEEN BENCH AND LEADMAKER APPLICATIONS.
- APPLY PART NUMBER 1-23419-5 LOCTITE TO THREADS OF ITEMS 62, 180 & 242.
- GREASE THREADS, GROOVE AND O-RING ON ITEMS 139 & 152.
- MAGNET MUST BE ORIENTED CORRECTLY IN ORDER TO PROPERLY ACTUATE THE COUNTER.
- CRIMP HEIGHT REFERENCE SETTING WAS THE SETTING USED WHEN THE APPLICATOR WAS QUALIFIED AT THE FACTORY. ADJUSTMENT MAY BE NECESSARY WHEN RUNNING APPLICATOR IN THE FIELD.
- SPARE FEED CAM STORAGE LOCATION REFER TO INSTRUCTION SHEET FOR ADDITIONAL INFORMATION.
- TO CONVERT THE APPLICATOR TO A NON-CARRIER CUTTING STYLE, REMOVE ITEM 13 AND ATTACH TO THE LOCATION ON BACK SIDE OF THE HOUSING. REFER TO INSTRUCTION SHEET FOR ADDITIONAL INFORMATION.

**\*WARNING**  
 ON INSTALLATION, SET WIRE DISC, ITEM 40 TO LARGEST WIRE SIZE SETTING. USE OF SETTINGS BELOW MINIMUM REQUIRED CRIMP HEIGHT SETTING WILL CAUSE DAMAGE TO CRIMP TOOLING.

|     |     |     |     |     |           |                                     |         |
|-----|-----|-----|-----|-----|-----------|-------------------------------------|---------|
| -   | 1   | 1   | 1   | 1   | 2119782-1 | FINE ADJUST HEAD ASM, PACIFIC STYLE | 251     |
| -   | -   | -   | -   | -   | 2119640-1 | PUSH ROD, AIR FEED                  | 250     |
| -   | -   | -   | -   | -   | 2079988-1 | BUSHING, LCH5-12, MISUMI            | 249     |
| -   | 1   | 1   | 1   | 1   | 1-22279-3 | SPRING, COMPRESSION                 | 246     |
| -   | 1   | 1   | 1   | 1   | 2119082-8 | CAM, SNAIL, INSULATION ADJUSTMENT   | 244     |
| -   | 1   | 1   | 1   | 1   | 2079764-1 | WASHER, WAVE SPRING, CREST-TO-CREST | 243     |
| -   | 1   | 1   | 1   | 1   | 2119083-1 | RETAINER, INSULATION DIAL           | 242     |
| -   | 1   | 1   | 1   | 1   | 7-18023-7 | SCR, SKT HD CAP M3 X 4.0            | 241     |
| -   | -   | 2   | -   | -   | 2168400-6 | SHCS, LOW HEAD, RoHS, M5 X 16       | 240     |
| -   | -   | -   | -   | 1   | 2119580-1 | MECHANICAL FEED ASSEMBLY            | 239     |
| -   | -   | -   | -   | 1   | 2063440-1 | AIR FEED MODULE                     | 238     |
| -77 | -27 | -25 | -22 | -21 | PART NO   | DESCRIPTION                         | ITEM NO |

**PACIFIC VERSION**  
 Shown on sheets 3 of 4 & 4 of 4  
 (Atlantic version shown on sheets 1 of 4 & 2 of 4)

| SET UP GAUGE | LOC | DIST | REVISIONS   |      |    |      |
|--------------|-----|------|-------------|------|----|------|
| 2119599-1    | A   | 66   | REV         | DATE | BY | APPV |
| -            | -   | -    | SEE SHEET 1 | -    | -  | -    |

|     |     |     |     |     |             |                                     |         |
|-----|-----|-----|-----|-----|-------------|-------------------------------------|---------|
| -   | -   | 1   | -   | -   | 2119740-2   | TAG, IDENTIFICATION                 | 213     |
| -   | -   | 1   | -   | -   | 1901094-3   | SPACER, FEEDER                      | 198     |
| -   | 1   | 1   | 1   | 1   | 1-1752354-2 | STANDOFF, HOLD-DOWN                 | 180     |
| -   | 1   | 1   | 1   | 1   | 993111-1    | PIN, SLOTTED SPRING 3.0 X 20.0      | 177     |
| -   | 1   | 1   | 1   | 1   | 8-22280-7   | SPRING, COMPRESSION                 | 176     |
| -   | 1   | 1   | 1   | 1   | 1752353-2   | GUIDE PIN, HOLDDOWN                 | 175     |
| -   | 1   | 1   | 1   | 1   | 1901680-2   | GUIDE PIN, HOLDDOWN                 | 174     |
| -   | -   | -   | 2   | -   | 21045-3     | RING, RETAIN, EXTERN, 3/16 CRESCENT | 172     |
| -   | 1   | 1   | 1   | 1   | 994969-1    | MAGNET, RARE EARTH HIGH ENERGY      | 166     |
| -   | REF | REF | REF | REF | 994970-2    | COUNTER, MAGNETIC                   | 164     |
| -   | -   | -   | 1   | -   | 240638-1    | SPRING, FEED FINGER                 | 163     |
| -   | 1   | 1   | 1   | 1   | 8-21084-1   | O-RING, .801 ID, .070 DIA. MAT.     | 152     |
| -   | -   | -   | 1   | -   | 2119641-2   | FEED CAM, AIR FEED                  | 151     |
| -   | 1   | 1   | 1   | 1   | 2119798-2   | DETENT PIN                          | 145     |
| -   | 1   | 1   | 1   | 1   | 2079383-8   | SCR, BHSC, RoHS (M4 X 16)           | 144     |
| -   | 4   | 4   | 4   | 4   | 2168400-5   | SHCS, LOW HEAD, RoHS, M4 X 20       | 143     |
| -   | -   | -   | -   | 1   | 2119653-2   | FEED CAM, POST FEED                 | 142     |
| -   | 1   | 1   | 1   | 1   | 1-2119656-0 | APPLICATOR BASIC ASSEMBLY, SF       | 141     |
| -   | 1   | 1   | 1   | 1   | 2119650-1   | RAM, ASIAN STYLE, SIDE FEED         | 140     |
| -   | 1   | 1   | 1   | 1   | 2119092-2   | BOLT, ADJUSTMENT                    | 139     |
| -   | -   | -   | 1   | -   | 3-23627-7   | PIN, RETAIN, GRVD, 3/16 X .854      | 137     |
| -   | -   | -   | 1   | -   | 2119799-1   | HOLDER, FEED FINGER, AF             | 136     |
| -   | -   | REF | -   | -   | SEE NOTE 4  | MEMORY CHIP, PROGRAMMED             | 135     |
| -   | -   | 1   | -   | -   | 1633743-1   | SERVO FEED LATCH ASM                | 133     |
| -   | 1   | 1   | 1   | 1   | 1-18028-2   | WASHER, FLAT, REG M4                | 119     |
| -   | -   | REF | -   | -   | 2119944-1   | FEED FINGER ASSEMBLY, SF            | 117     |
| -   | 1   | 1   | 1   | 1   | 1-690438-0  | FRONT STRIP GUIDE                   | 96      |
| -   | 2   | 2   | 2   | 2   | 2168083-1   | SCR, SKT HD CAP, RoHS, M3 X 8.0     | 95      |
| -   | 1   | 1   | 1   | 1   | 455888-5    | SPACER, CRIMPER                     | 82      |
| -   | 1   | 1   | 1   | 1   | 2119956-1   | DOCUMENTATION PACKAGE               | 71      |
| -   | 1   | -   | 1   | 1   | 2119740-1   | TAG, IDENTIFICATION                 | 67      |
| -   | 2   | 2   | 2   | 2   | 2168078-1   | SCREW, DRIVE, RH, RoHS, 2 x .188    | 66      |
| -   | 1   | 1   | 1   | 1   | 2119793-1   | LIMITER, ADJUSTMENT BOLT            | 63      |
| -   | 3   | 3   | 3   | 3   | 992763-5    | SCR, SET, SOC, CONE POINT, M3 X 4.0 | 62      |
| -   | 2   | 2   | 2   | 2   | 2-18032-5   | SCR, SET, FLT POINT M5 X 20.0       | 61      |
| -   | -   | -   | 1   | 1   | 5-18022-5   | SCR, HEX HD CAP, M4 X 6.0           | 59      |
| -   | -   | -   | 1   | 1   | 1338685-1   | PAWL, FEED                          | 56      |
| -   | 1   | 1   | 1   | 1   | 1-5018030-0 | NUT, HEX, REG, RoHS, M3.5           | 52      |
| -   | 1   | 1   | 1   | 1   | 1-1901681-8 | HOLDDOWN, TERMINAL                  | 51      |
| -   | -   | -   | 1   | 2   | 18023-9     | SCR, SKT HD CAP M4 X 6.0            | 49      |
| -   | -   | -   | -   | 1   | 2119652-1   | FEED CAM, PRE FEED                  | 48      |
| -   | 1   | 1   | 1   | 1   | 2119656-9   | APPLICATOR BASIC ASSEMBLY, SF       | 46      |
| -   | 1   | 1   | 1   | 1   | 2079383-7   | SCR, BHSC, RoHS (M8 X 25)           | 41      |
| -   | 1   | 1   | 1   | 1   | 2119645-1   | DISC, NUMBERED FA WIRE ADJUSTMENT   | 40      |
| -   | 1   | 1   | 1   | 1   | 2119957-1   | APPLICATOR SHIM PACK                | 39      |
| -   | 1   | 1   | 1   | 1   | 2119644-1   | RAM WASHER, PRECISION               | 38      |
| -   | 1   | 1   | 1   | 1   | 1-1752356-9 | SUPPORT, TERMINAL                   | 34      |
| -   | 2   | 2   | 2   | 2   | 2079383-5   | SCR, BHSC, RoHS (M4 X 20)           | 33      |
| -   | 1   | 1   | 1   | 1   | 2161328-1   | HEX HEAD, FLANGED, M5 X 8mm LONG    | 32      |
| -   | 1   | 1   | 1   | 1   | 1320908-6   | SPACER, STRIP GUIDE                 | 30      |
| -   | 1   | 1   | 1   | 1   | 2119959-3   | ASSEMBLY, STRIP GUIDE               | 29      |
| -   | 1   | 1   | 1   | 1   | 1-455888-0  | SPACER, CRIMPER                     | 28      |
| -   | 2   | 2   | 2   | 2   | 22283-1     | SPRING, COMPRESSION                 | 27      |
| -   | 1   | 1   | 1   | 1   | 356835-1    | LEVER, DRAG RELEASE                 | 26      |
| -   | 1   | 1   | 1   | 1   | 240792-5    | DRAG, TERMINAL                      | 25      |
| -   | 1   | 1   | 1   | 1   | 1320928-2   | STRIP GUIDE                         | 24      |
| -   | 1   | 1   | 1   | 1   | 980371-4    | SCR, SKT HD SHLDR 5.0 DIA X 6.0     | 23      |
| -   | 1   | 1   | 1   | 1   | 2168083-2   | SCR, SKT HD CAP, RoHS, M4 X 8.0     | 21      |
| -   | 1   | 1   | 1   | 1   | 1-18028-2   | WASHER, FLAT, REG M4                | 20      |
| -   | 1   | 1   | 1   | 1   | 2119533-3   | STRIPPER, SIDE FEED                 | 19      |
| -   | 1   | 1   | 1   | 1   | 2119806-1   | INSERT, SHEAR                       | 13      |
| -   | 1   | 1   | 1   | 1   | 3-22280-3   | SPRING, COMPRESSION                 | 12      |
| -   | 1   | 1   | 1   | 1   | 1-356885-4  | STOP, SHEAR                         | 11      |
| -   | 1   | 1   | 1   | 1   | 2119805-1   | SHEAR HOLDER, FRONT                 | 10      |
| -   | 1   | 1   | 1   | 1   | 1803095-1   | FLOATING SHEAR, FRONT               | 9       |
| -   | 1   | 1   | 1   | 1   | 4-1333225-3 | ANVIL, COMBINATION                  | 8       |
| -   | -   | -   | -   | -   | -           | -                                   | 7       |
| -   | -   | -   | -   | -   | -           | -                                   | 6       |
| -   | 1   | 1   | 1   | 1   | 2119757-5   | DEPRESSOR, SHEAR                    | 5       |
| -   | 1   | 1   | 1   | 1   | 1-238011-3  | BLOCK, CRIMPER SPACER               | 4       |
| -   | 1   | 1   | 1   | 1   | 4-1633961-0 | CRIMPER, INSULATION F PREMIUM       | 3       |
| -   | -   | -   | -   | -   | -           | -                                   | 2       |
| -   | 1   | 1   | 1   | 1   | 568176-5    | CRIMPER, WIRE                       | 1       |
| -77 | -27 | -25 | -22 | -21 | PART NO     | DESCRIPTION                         | ITEM NO |

| DIMENSIONS:                            |               | TOLERANCES UNLESS OTHERWISE SPECIFIED: |           | DRAWN        |           | CHECKED   |           | DATE      |           |
|--|---------------|--|-----------|--------------|-----------|-----------|-----------|-----------|-----------|
| mm                                     | 0 PLC ±.5     | 1 PLC ±.5                              | 2 PLC ±.5 | 3 PLC ±.5    | 4 PLC ±.5 | 5 PLC ±.5 | 6 PLC ±.5 | 7 PLC ±.5 | 8 PLC ±.5 |
|  | ANGLES ±.0001 |  |           |              |           |           |           |           |           |
| MATERIAL                               | FINISH        | WEIGHT                                 | SCALE     | APPROVED     | DATE      | APPROVED  | DATE      | APPROVED  | DATE      |
|  |               |  | 1:2       | APPROVED     | 06SEP2013 | APPROVED  | 06SEP2013 | APPROVED  | 06SEP2013 |
| Customer Accessible Production Drawing |               |  |           | SHEET 3 OF 4 |           | REV A     |           |           |           |

| LOC |    | DIST |     | REVISIONS   |      |     |      |
|-----|----|------|-----|-------------|------|-----|------|
| A   | 66 | P    | LTM | DESCRIPTION | DATE | OWN | APVD |
|     |    | -    | -   | SEE SHEET 1 |      |     |      |

# FEED TYPE MECHANICAL



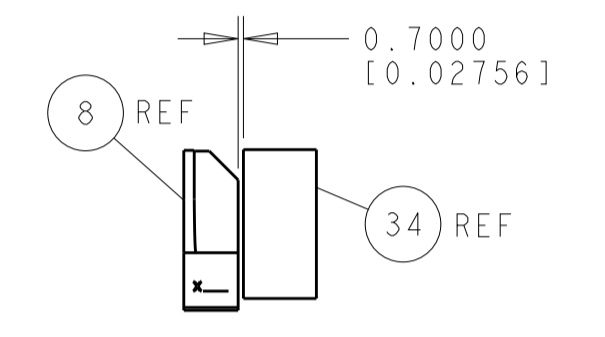
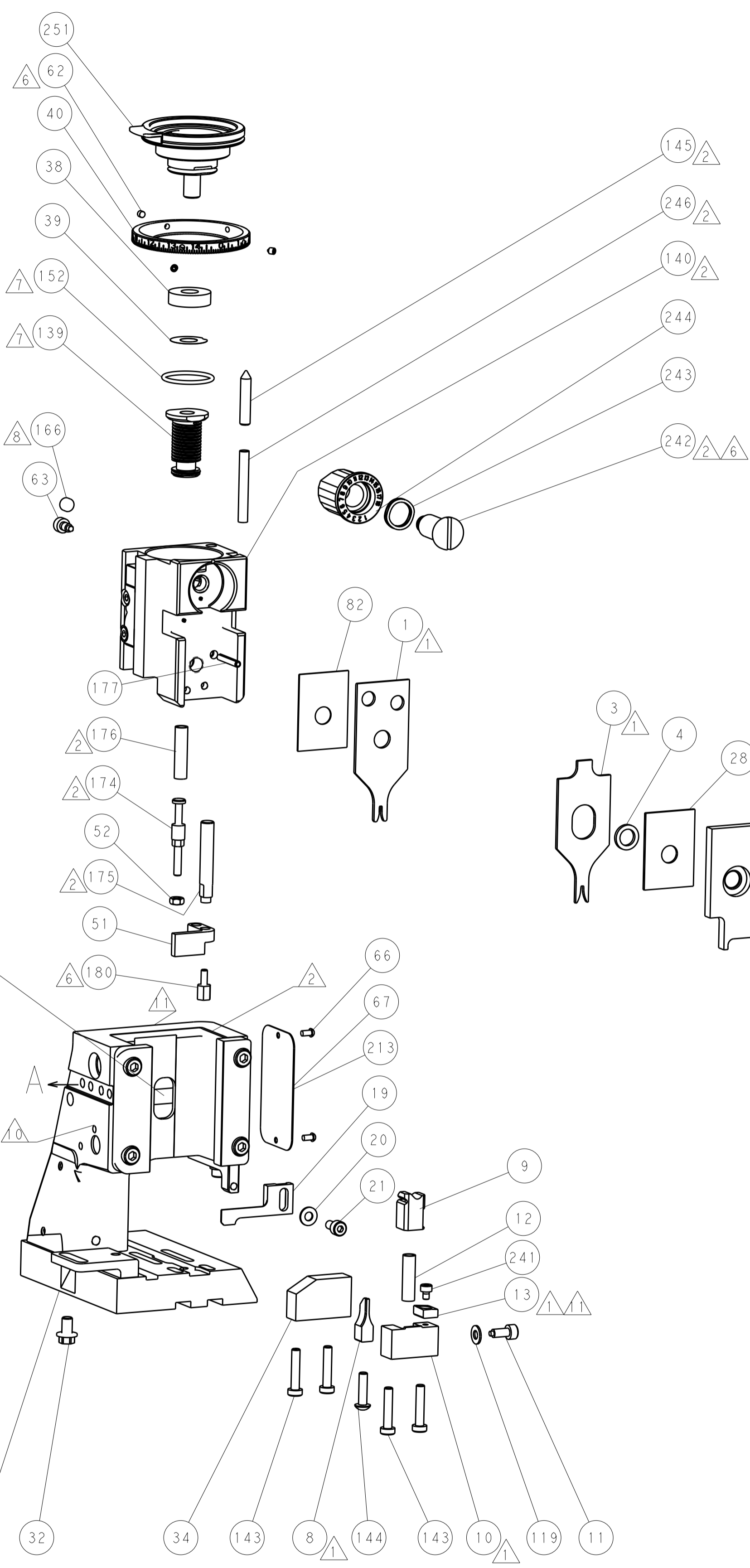
# PNEUMATIC



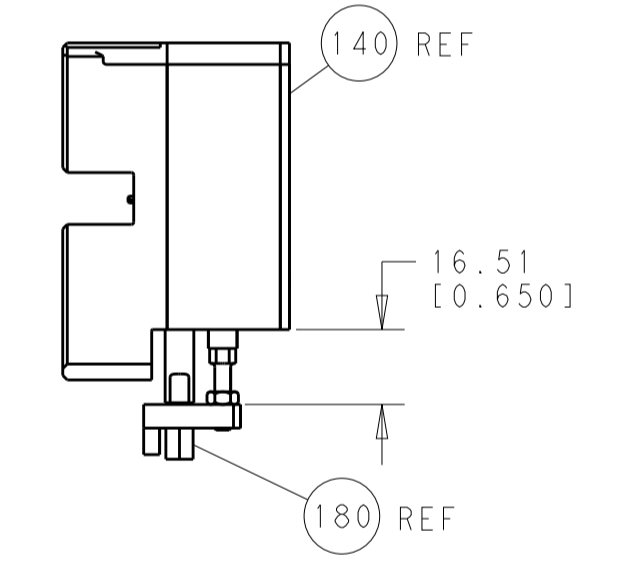
# SERVO LATCH PLATE



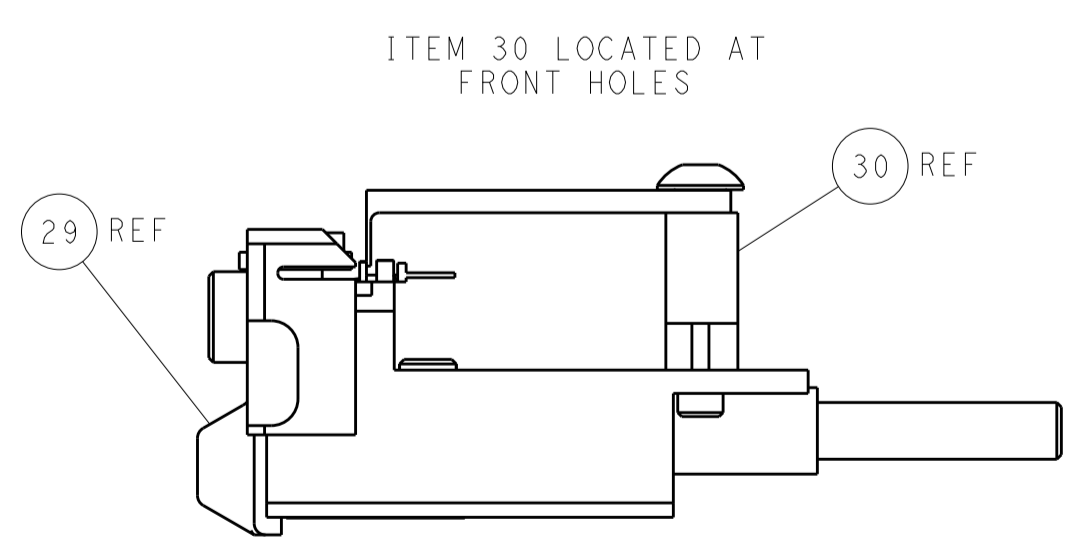
# CAM POSITIONS



TERMINAL SUPPORT LOCATION



HOLDDOWN SET-UP



FEED TRACK POSITION GUIDE BY INSULATION BARREL

**PACIFIC VERSION**  
 Shown on sheets 3 of 4 & 4 of 4  
 (Atlantic version shown on sheets 1 of 4 & 2 of 4)

|  |  |  |  |   |  |   |  |
|--|--|--|--|---|--|---|--|
| DIMENSIONS:<br>mm<br>                  |  | TOLERANCES UNLESS OTHERWISE SPECIFIED:<br>0 PLC ±.5<br>1 PLC ±0.5<br>2 PLC ±0.13<br>3 PLC ±0.013<br>4 PLC ±0.001<br>ANGLES ±.1 |  | DWN X.ZHAO 06SEP2013<br>CHK T.ELBIN 06SEP2013<br>APVD L.ZHANG 06SEP2013 |  | NAME<br>Ocean Side Feed Applicator                              |  |
| MATERIAL:                              |  | FINISH:  |  | WEIGHT:   |  | SIZE: CAGE CODE DRAWING NO. RESTRICTED TO<br>A1 00779 C=2151246 |  |
| Customer Accessible Production Drawing |  |  |  | SCALE: 1:2  |  | SHEET 4 OF 4 REV A  |  |

Компания «Океан Электроники» предлагает заключение долгосрочных отношений при поставках импортных электронных компонентов на взаимовыгодных условиях!

Наши преимущества:

- Поставка оригинальных импортных электронных компонентов напрямую с производств Америки, Европы и Азии, а так же с крупнейших складов мира;
- Широкая линейка поставок активных и пассивных импортных электронных компонентов (более 30 млн. наименований);
- Поставка сложных, дефицитных, либо снятых с производства позиций;
- Оперативные сроки поставки под заказ (от 5 рабочих дней);
- Экспресс доставка в любую точку России;
- Помощь Конструкторского Отдела и консультации квалифицированных инженеров;
- Техническая поддержка проекта, помощь в подборе аналогов, поставка прототипов;
- Поставка электронных компонентов под контролем ВП;
- Система менеджмента качества сертифицирована по Международному стандарту ISO 9001;
- При необходимости вся продукция военного и аэрокосмического назначения проходит испытания и сертификацию в лаборатории (по согласованию с заказчиком);
- Поставка специализированных компонентов военного и аэрокосмического уровня качества (Xilinx, Altera, Analog Devices, Intersil, Interpoint, Microsemi, Actel, Aeroflex, Peregrine, VPT, Syfer, Eurofarad, Texas Instruments, MS Kennedy, Miteq, Cobham, E2V, MA-COM, Hittite, Mini-Circuits, General Dynamics и др.);

Компания «Океан Электроники» является официальным дистрибьютором и эксклюзивным представителем в России одного из крупнейших производителей разъемов военного и аэрокосмического назначения «JONHON», а так же официальным дистрибьютором и эксклюзивным представителем в России производителя высокотехнологичных и надежных решений для передачи СВЧ сигналов «FORSTAR».



## JONHON

«JONHON» (основан в 1970 г.)

Разъемы специального, военного и аэрокосмического назначения:

(Применяются в военной, авиационной, аэрокосмической, морской, железнодорожной, горно- и нефтедобывающей отраслях промышленности)

«FORSTAR» (основан в 1998 г.)

ВЧ соединители, коаксиальные кабели,  
кабельные сборки и микроволновые компоненты:

(Применяются в телекоммуникациях гражданского и специального назначения, в средствах связи, РЛС, а так же военной, авиационной и аэрокосмической отраслях промышленности).



Телефон: 8 (812) 309-75-97 (многоканальный)

Факс: 8 (812) 320-03-32

Электронная почта: [ocean@oceanchips.ru](mailto:ocean@oceanchips.ru)

Web: <http://oceanchips.ru/>

Адрес: 198099, г. Санкт-Петербург, ул. Калинина, д. 2, корп. 4, лит. А