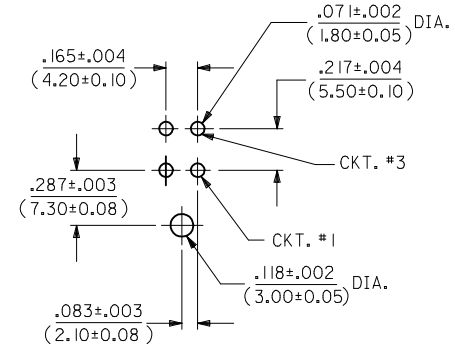
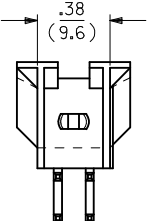


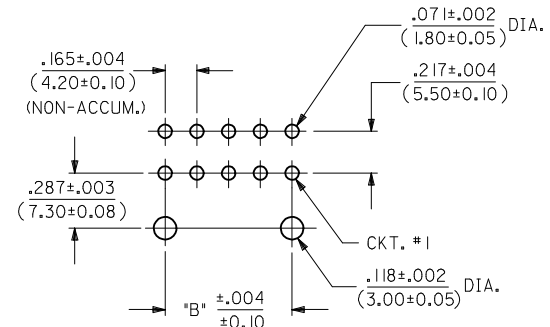
| CIRCUIT SIZE | DIM. "A" | DIM. "B" |
|--------------|----------------|------------------|
| 2 | — | — |
| 4 | .59 (15.0) | .165 (4.20) |
| 6 | .76 (19.2) | .331 (8.40) |
| 8 | .92 (23.4) | .496 (12.60) |
| 10 | 1.09 (27.6) | .661 (16.80) |
| 12 | 1.25 (31.8) | .827 (21.00) |
| 14 | 1.42 (36.0) | .992 (25.20) |
| 16 | 1.58 (40.2) | 1.157 (29.40) |
| 18 | 1.75 (44.4) | 1.323 (33.60) |
| 20 | 1.91 (48.6) | 1.488 (37.80) |
| 22 | 2.08 (52.8) | 1.654 (42.00) |
| 24 | 2.24 (57.0) | 1.819 (46.20) |



A-44499-*



4 CIRCUIT PCB LAYOUT
RECOMMENDED HOLE LAYOUT FOR
.070/(1.78) MAX. THICK P.C. BOARD
VIEWED FROM COMPONENT SIDE



RECOMMENDED HOLE LAYOUT FOR
.070/(1.78) MAX. THICK P.C. BOARD
VIEWED FROM COMPONENT SIDE

- NOTES:
- MATERIAL:
HOUSING: "A" = NYLON 6/6, UL 94V-2, COLOR: NATURAL
"B" = NYLON 6/6, UL 94V-0, COLOR: NATURAL
TERMINALS: BRASS
 - TERMINAL PLATING:
C = .000030/(.00076) MIN. SELECT GOLD AND
.000100/(.00254) MIN. MATTE TIN OVER
.000050/(.00127) MIN. NICKEL OVERALL.
D = .000100/(.00254) MIN. MATTE TIN OVER
.000050/(.00127) MIN. NICKEL OVERALL.
 - PRODUCT SPECIFICATION: PS-5556-002
 - PACKAGING: TRAY PACKED PER MOLEX SPECIFICATION PK-42404-002.
 - PART MATES WITH MINI-FIT JR. RECEPTACLE 5557, 42385, 42474 AND 44516. 2 CIRCUIT PARTS MATE WITH 42385, 42474, AND 44516 ONLY.
 - PART ALLOWS FOR UP TO .100/(2.54) MISALIGNMENT WITH MATING RECEPTACLE IN ANY DIRECTION. SEE MATING CONNECTOR DRAWINGS FOR SPECIFIC ALLOWANCES.
 - PART IS NOT DESIGNED FOR CURRENT SHARING.
 - CONNECTOR ASSEMBLIES ARE NOT TO BE MATED OR UNMATED WHILE CIRCUITS ARE LIVE.
 - CIRCUITS SHOWN PROVIDE THE "MAKE-FIRST/BREAK-LAST" FEATURE.
 - PART CONFORMS TO CLASS B OF COSMETIC SPECIFICATION PS-45499-002.
 - DISCOLORATION IN THE BANDOLIER CARRIER AREA OF THE PIN IS INHERENT TO THE PLATING PROCESS AND IS DUE TO THE MASKING EFFECT OF THE CARRIER. THIS DISCOLORATION IS IN A NON-FUNCTIONAL AREA OF THE PIN AND WILL NOT AFFECT THE PERFORMANCE OF THE HEADER ASSEMBLY.
 - FORMING MARKS ARE ACCEPTABLE

| | | | | | | | |
|---------------------------------------------------------------------------------------------------------------|-------------|-----------------|---------------------------------------|-------------------|--------------------------------------------------------------------------------------------------------------------------------|--------------|------------------------|
| ADD 4499-0066 EC NO: UCP2015-3172 DRWINGB 2015/02/05 CHKD:IBELL 2015/02/05 APPR:FSMITH 2015/02/18 | DESCRIPTION | QUALITY SYMBOLS | GENERAL TOLERANCES (UNLESS SPECIFIED) | DIMENSION STYLE | SCALE | DESIGN UNITS | THIRD ANGLE PROJECTION |
| | | ▽=0 | mm INCH | IN/MM | 2:1 | METRIC | |
| D17 | REVISION | ▽=0 | 4 PLACES ± --- ± --- | DRAWN BY DATE | TITLE | DOCUMENT NO. | SHEET NO. |
| | | ▽=0 | 3 PLACES ± --- ± .010 | AFG 1994/09/13 | | | |
| | | ▽=0 | 2 PLACES ± 0.25 ± .015 | CHECKED BY DATE | SELECTIVELY-LOADED RT ANGLE DUAL ROW HEADER (MATE-FIRST/BREAK-LAST) | SDA-44499-* | 1 OF 3 |
| | | ▽=0 | 1 PLACE ± 0.38 ± --- | RJF 1994/09/13 | | | |
| | | | 0 PLACE ± ± | APPROVED BY DATE | molex | | |
| | | | ANGULAR ±1/2° | FSMITH 2011/08/03 | THIS DRAWING CONTAINS INFORMATION THAT IS PROPRIETARY TO MOLEX. INCORPORATED AND SHOULD NOT BE USED WITHOUT WRITTEN PERMISSION | | |

| ITEM NO. | CKT. SIZE | CHARACTERISTIC DESCRIPTION | LETTER INDICATES PIN PLATING AND LENGTH REQUIRED AT EACH CIRCUIT LOCATION, SEE NOTE 2 ON SHEET 1. | | | | | | | | | | | | | | | | | | | | | | | |
|----------|------------|----------------------------|---------------------------------------------------------------------------------------------------|------------|----|------|----|----|----|----|----|----|----|----|----|----|----|----|----|----|----|----|----|----|----|----|
| | | | 1 | 2 | 3 | 4 | 5 | 6 | 7 | 8 | 9 | 10 | 11 | 12 | 13 | 14 | 15 | 16 | 17 | 18 | 19 | 20 | 21 | 22 | 23 | 24 |
| | | | J | 44499-0005 | 24 | 24BC | CM | CM | CM | CM | CM | CM | CM | CM | CM | CM | CM | CM | CM | CM | CM | CM | CM | CM | CM | CM |
| J | 44499-0006 | 04 | 04BC | CS | CM | CM | CS | - | - | - | - | - | - | - | - | - | - | - | - | - | - | - | - | - | - | |
| J | 44499-0027 | 10 | 10BD | DS | DM | DM | DM | DM | DM | DM | DM | DM | DM | DM | DM | DM | DM | DM | DM | DM | DM | DM | DM | DM | DM | |
| I | 44499-0029 | 24 | 24BD | DM | DM | DM | DM | DM | DM | DM | DM | DM | DM | DM | DM | DM | DM | DM | DM | DM | DM | DM | DM | DM | DM | |
| I | 44499-0036 | 24 | 24BD | DS | DS | DM | DM | DS | DS | DM | DS | DS | DS | DS | DS | DM | DM | DM | DS | DS | DS | DS | DS | DM | DS | |
| I | 44499-0041 | 14 | 14AD | DS | DS | DS | V | DS | DS | DS | DM | DS | DS | V | DS | DS | DM | - | - | - | - | - | - | - | - | |
| I | 44499-0042 | 10 | 10BC | CS | CS | CS | CS | CS | CS | CS | CS | CM | - | - | - | - | - | - | - | - | - | - | - | - | - | |
| I | 44499-0049 | 24 | 24AD | DM | DM | DM | DM | DS | DS | DS | DS | DS | DS | DS | DS | DS | DS | DS | DS | DS | DS | DS | DS | DS | DS | |
| I | 44499-0055 | 10 | 10BC | CS | CM | CM | CM | CM | CM | CM | CM | CM | - | - | - | - | - | - | - | - | - | - | - | - | - | |
| H | 44499-0061 | 06 | 06BD | DM | DM | DM | DM | DM | DM | - | - | - | - | - | - | - | - | - | - | - | - | - | - | - | - | |
| H | 44499-0065 | 24 | 24BC | CS | CM | CM | CM | CM | CM | CM | CM | CM | CM | CM | CM | CM | DS | CM | CM | CM | CM | CM | CM | CM | CM | |
| H | 44499-0066 | 18 | 18BD | DS | DS | DS | DS | DS | DS | DS | DS | DS | DS | DS | DS | DS | DS | DS | DS | DM | - | - | - | - | - | |
| H | 44499-0073 | 06 | 06BC | CS | CM | CM | CM | CM | CM | - | - | - | - | - | - | - | - | - | - | - | - | - | - | - | - | |
| H | 44499-0075 | 18 | 18AD | DM | DS | DS | DS | DS | DS | DS | DS | DS | DS | DS | DS | DS | DS | DS | DM | - | - | - | - | - | - | |
| G | 44499-0078 | 18 | 18BC | CS | CM | CM | CM | CM | CM | CM | CM | CM | CM | CM | CM | CM | CM | CM | CM | CM | - | - | - | - | - | - |
| G | 44499-0089 | 10 | 10BC | CS | CS | CM | CS | CS | CM | CM | CM | CM | CS | - | - | - | - | - | - | - | - | - | - | - | - | |
| G | 44499-0090 | 24 | 24BD | DS | DS | DM | DM | DM | DS | DS | DS | DS | DM | DS | DS | DS | DS | DS | DS | DS | DS | DS | DS | DM | DS | |
| G | 44499-0092 | 04 | 04BD | DS | DM | DM | DS | - | - | - | - | - | - | - | - | - | - | - | - | - | - | - | - | - | - | |
| G | 44499-0093 | 04 | 04BC | CS | CM | CM | CS | - | - | - | - | - | - | - | - | - | - | - | - | - | - | - | - | - | - | |
| F | 44499-0094 | 18 | 18BC | CM | CM | CM | CM | CM | CM | CM | CM | CM | CM | CM | CM | CM | CM | CM | CS | CM | - | - | - | - | - | |
| F | 44499-0095 | 18 | 18BC | CM | CM | CM | CM | CM | CM | CM | CM | CM | CM | CM | CM | CM | CM | CM | CM | CM | - | - | - | - | - | |
| F | 44499-0096 | 24 | 24AD | DM | DM | V | DM | DM | V | DM | DM | DM | DM | DM | DM | DM | V | DM | DM | V | DM | DM | DM | DM | DM | |
| F | 44499-0097 | 14 | 14BC | CM | CM | CM | CM | CM | CM | CM | CM | CM | CM | CM | CM | CS | - | - | - | - | - | - | - | - | - | |
| E | 44499-0099 | 24 | 24BC | CM | CM | CM | CM | CM | CM | CM | CM | CM | CM | CM | CM | CM | CM | CM | CM | CM | CM | CM | CM | CM | CS | |
| E | 44499-0100 | 24 | 24BC | CS | CM | CM | CM | CM | CM | CM | CM | CM | CM | CM | CM | CS | CM | CS | CM | CS | CM | CS | CM | CS | CS | |
| E | 44499-0101 | 14 | 14BC | CM | CS | CM | CM | CS | CM | CM | CM | CM | CM | CM | CM | CS | - | - | - | - | - | - | - | - | - | |
| E | 44499-0102 | 24 | 24BC | CM | CM | CS | CS | CS | CS | CS | CS | CS | CS | CM | CM | CM | CM | CS | CS | CS | CS | CS | CS | CM | CM | |
| E | 44499-0103 | 24 | 24AD | DM | DS | DS | DS | DS | DS | DS | DS | DS | DS | DS | DS | DS | DS | DS | DS | DS | DS | DS | DS | DS | DM | |
| D | 44499-0104 | 24 | 24BC | CM | CS | CM | CS | CM | CS | CM | CS | CM | CS | CM | CS | CM | CS | CM | CS | CM | CM | CM | CM | CS | CM | |
| D | 44499-0105 | 16 | 16BC | CM | CS | CS | CS | CS | CS | CS | CS | CS | CS | CS | CS | CM | CS | - | - | - | - | - | - | - | - | |
| D | 44499-0106 | 08 | 08BC | CS | CS | CM | CS | CS | CS | CM | CS | - | - | - | - | - | - | - | - | - | - | - | - | - | - | |
| D | 44499-0107 | 24 | 24AD | DM | DM | DM | DM | DM | DM | DM | DM | DM | DM | DM | DM | DM | DM | DM | DM | DM | DM | DM | DM | DM | DM | |
| D | 44499-0108 | 14 | 14BC | CS | CS | CS | CS | CS | CS | CM | CS | CS | CS | CS | CS | CS | - | - | - | - | - | - | - | - | - | |
| D | 44499-0109 | 24 | 24BC | CM | CS | CS | CM | CS | CS | CS | CS | CS | CS | CM | CS | CS | CM | CS | CS | CS | CS | CS | CS | CS | CS | |
| D | 44499-0111 | 06 | 06BC | CM | CS | CS | CM | CS | CS | - | - | - | - | - | - | - | - | - | - | - | - | - | - | - | - | |
| D | 44499-0112 | 24 | 24BC | CS | CM | CM | CS | CS | CS | CS | CS | CS | CS | CS | CS | CM | CM | CS | CS | CS | CS | CS | CS | CS | CS | |

CHARACTERISTICS LEGEND:

CIRCUIT SIZE _____ ** ** **
(02-24)

HOUSING MATERIAL _____

A = NYLON 6/6, U.L. 94V-2,
COLOR: NATURAL
B = NYLON 6/6, U.L. 94V-0,
COLOR: NATURAL

TERMINAL PLATING _____

C = SELECT GOLD
D = MATTE TIN OVERALL
* = MIXED TIN AND GOLD

B TERMINAL PLATING AND LENGTH CODE

CS = SELECT GOLD, STANDARD LENGTH
DS = MATTE TIN, STANDARD LENGTH
CM = SELECT GOLD, MATE-FIRST/BREAK-LAST (LONGER)
DM = MATTE TIN, MATE-FIRST/BREAK-LAST (LONGER)
V = VOID CIRCUIT

SEE SHEET 1
EC NO: UCP2015-3172
DRAWING: 2015/02/05
CHKD: J.BELL 2015/02/05
APPR: FSM/TH 2015/02/18

QUALITY SYMBOLS

▽ = 0
▽ = 0
▽ = 0

GENERAL TOLERANCES (UNLESS SPECIFIED)

| | mm | INCH |
|----------|--------|--------|
| 4 PLACES | ± --- | ± --- |
| 3 PLACES | ± --- | ± .010 |
| 2 PLACES | ± 0.25 | ± .015 |
| 1 PLACE | ± 0.38 | ± --- |
| 0 PLACE | ± | ± |

ANGULAR ±1/2°

DRAFT WHERE APPLICABLE MUST REMAIN WITHIN DIMENSIONS

DIMENSION STYLE
IN/MM

SCALE 1:1

DESIGN UNITS METRIC

THIRD ANGLE PROJECTION

DRAWN BY DATE
AFG 1994/09/13

CHECKED BY DATE
R.J.F. 1994/09/13

APPROVED BY DATE
FSM/TH 2011/08/03

TITLE
SELECTIVELY-LOADED
RT ANGLE DUAL ROW HEADER
(MATE-FIRST/BREAK-LAST)

molex

MATERIAL NO. SEE CHART
DOCUMENT NO. SDA-44499-*
SHEET NO. 2 OF 3

THIS DRAWING CONTAINS INFORMATION THAT IS PROPRIETARY TO MOLEX INCORPORATED AND SHOULD NOT BE USED WITHOUT WRITTEN PERMISSION

| ITEM NO. | CKT. SIZE | CHARACTERISTIC DESCRIPTION | LETTER INDICATES PIN PLATING AND LENGTH REQUIRED AT EACH CIRCUIT LOCATION, SEE NOTE 2 ON SHEET 1. | | | | | | | | | | | | | | | | | | | | | | | |
|------------|-----------|----------------------------|---------------------------------------------------------------------------------------------------|----|----|----|----|----|----|----|----|----|----|----|----|----|----|----|----|----|----|----|----|----|----|----|
| | | | 1 | 2 | 3 | 4 | 5 | 6 | 7 | 8 | 9 | 10 | 11 | 12 | 13 | 14 | 15 | 16 | 17 | 18 | 19 | 20 | 21 | 22 | 23 | 24 |
| 44499-0113 | 24 | 24BD | DS | V | DS | V | DS | V | DS | V | V | DS | DS | DS | V | DS | V | DS | V | DS | V | V | DS | DS | DS | |
| 44499-0114 | 14 | 14BD | DS | V | DS | V | DS | V | DS | DS | V | DS | V | DS | - | - | - | - | - | - | - | - | - | - | - | |
| 44499-0115 | 18 | 18BD | DS | V | V | DS | V | V | DS | DS | DS | DS | V | V | DS | V | V | DS | DS | DS | - | - | - | - | - | |
| 44499-0116 | 04 | 04BD | DS | DS | DM | DM | - | - | - | - | - | - | - | - | - | - | - | - | - | - | - | - | - | - | | |
| 44499-0117 | 10 | 10BD | DM | DM | DM | DM | DM | DM | DM | DM | DM | DM | - | - | - | - | - | - | - | - | - | - | - | - | | |
| 44499-0118 | 14 | 14BD | DM | DM | DM | DM | DM | DM | DM | DM | DM | DM | DM | DM | DM | - | - | - | - | - | - | - | - | - | | |
| 44499-0119 | 14 | 14BC | CM | CM | CM | CM | CS | CM | CS | CM | CM | CM | CM | CM | CS | - | - | - | - | - | - | - | - | - | | |
| 44499-0120 | 14 | 14BC | CM | CM | CM | CM | CS | CM | CM | CM | CM | CM | CM | CS | CM | CM | - | - | - | - | - | - | - | - | | |
| 44499-0121 | 10 | 10BC | CM | CS | CS | CS | CS | CM | CS | CS | CS | CS | - | - | - | - | - | - | - | - | - | - | - | - | | |
| 44499-0122 | 18 | 18BC | CM | CM | CM | CM | CM | CM | CM | CM | CM | CM | CM | CS | CS | CM | CM | CM | CM | CM | - | - | - | - | - | |
| 44499-0123 | 10 | 10BD | DS | V | DS | V | DS | DS | V | DS | V | DS | - | - | - | - | - | - | - | - | - | - | - | - | | |
| 44499-0124 | 14 | 14BC | CM | CM | CM | CM | CM | CM | CM | CM | CS | CM | CM | CS | CM | CM | - | - | - | - | - | - | - | - | | |
| 44499-0125 | 14 | 14BC | CM | CM | CM | CM | CS | CM | CM | CM | CS | CM | CM | CM | CM | - | - | - | - | - | - | - | - | - | | |
| 44499-0126 | 14 | 14BC | CM | CM | CM | CM | CS | CM | CM | CM | CM | CM | CS | CS | CM | CM | - | - | - | - | - | - | - | - | | |
| 44499-0127 | 18 | 18BD | DM | DM | DM | DM | DM | DS | DS | DM | DS | DM | DM | DM | DM | DM | DM | DM | DM | - | - | - | - | - | | |
| 44499-0128 | 14 | 14BC | CM | CM | CM | CS | CS | CM | CS | CM | CM | CM | CS | CM | CM | CS | - | - | - | - | - | - | - | - | | |
| 44499-0129 | 14 | 14BD | DM | DM | DM | DS | DS | DM | DS | DM | DM | DM | DS | DS | DM | DS | - | - | - | - | - | - | - | - | | |

CHARACTERISTICS LEGEND:

CIRCUIT SIZE (02-24) ***

HOUSING MATERIAL ***

A = NYLON 6/6, U.L. 94V-2, COLOR: NATURAL
 B = NYLON 6/6, U.L. 94V-0, COLOR: NATURAL

TERMINAL PLATING ***

C = SELECT GOLD
 D = MATTE TIN OVERALL
 * = MIXED TIN AND GOLD

TERMINAL PLATING AND LENGTH CODE

CS = SELECT GOLD, STANDARD LENGTH
 DS = MATTE TIN, STANDARD LENGTH
 CM = SELECT GOLD, MATE-FIRST/BREAK-LAST (LONGER)
 DM = MATTE TIN, MATE-FIRST/BREAK-LAST (LONGER)
 V = VOID CIRCUIT

| | | | | | | |
|--------------------------------------------------------------------------------------------------------|------------------------------------------------------|---------------------------------------|----------------------------------------------------------------|---------------------------------------------------------------------|--------------|------------------------|
| SEE SHEET 1 EC NO: UCP2015-3172 DRWNG: 2015/02/05 CHKD: J.BELL APPR: F.SMITH 2015/02/18 | QUALITY SYMBOLS | GENERAL TOLERANCES (UNLESS SPECIFIED) | DIMENSION STYLE | SCALE | DESIGN UNITS | THIRD ANGLE PROJECTION |
| | ▽=0 | mm INCH | IN/MM | 1:1 | METRIC | ☉ |
| | ▽=0 | 4 PLACES ± --- ± --- | DRAWN BY DATE | TITLE | | |
| | ▽=0 | 3 PLACES ± --- ±.010 | AFG 1994/09/13 | SELECTIVELY-LOADED RT ANGLE DUAL ROW HEADER (MATE-FIRST/BREAK-LAST) | | |
| | 2 PLACES ±0.25 ±.015 | CHECKED BY DATE | molex | | | |
| | 1 PLACE ±0.38 ± --- | RJF 1994/09/13 | SDA-44499-* | | | |
| | 0 PLACE ± ± | APPROVED BY DATE | SHEET NO. 3 OF 3 | | | |
| | ANGULAR ±1/2° | F.SMITH 2011/08/03 | INCORPORATED AND SHOULD NOT BE USED WITHOUT WRITTEN PERMISSION | | | |
| | DRAFT WHERE APPLICABLE MUST REMAIN WITHIN DIMENSIONS | MATERIAL NO. | DOCUMENT NO. | | | |
| | | SEE CHART | | | | |

Компания «Океан Электроники» предлагает заключение долгосрочных отношений при поставках импортных электронных компонентов на взаимовыгодных условиях!

Наши преимущества:

- Поставка оригинальных импортных электронных компонентов напрямую с производств Америки, Европы и Азии, а так же с крупнейших складов мира;
- Широкая линейка поставок активных и пассивных импортных электронных компонентов (более 30 млн. наименований);
- Поставка сложных, дефицитных, либо снятых с производства позиций;
- Оперативные сроки поставки под заказ (от 5 рабочих дней);
- Экспресс доставка в любую точку России;
- Помощь Конструкторского Отдела и консультации квалифицированных инженеров;
- Техническая поддержка проекта, помощь в подборе аналогов, поставка прототипов;
- Поставка электронных компонентов под контролем ВП;
- Система менеджмента качества сертифицирована по Международному стандарту ISO 9001;
- При необходимости вся продукция военного и аэрокосмического назначения проходит испытания и сертификацию в лаборатории (по согласованию с заказчиком);
- Поставка специализированных компонентов военного и аэрокосмического уровня качества (Xilinx, Altera, Analog Devices, Intersil, Interpoint, Microsemi, Actel, Aeroflex, Peregrine, VPT, Syfer, Eurofarad, Texas Instruments, MS Kennedy, Miteq, Cobham, E2V, MA-COM, Hittite, Mini-Circuits, General Dynamics и др.);

Компания «Океан Электроники» является официальным дистрибьютором и эксклюзивным представителем в России одного из крупнейших производителей разъемов военного и аэрокосмического назначения «JONHON», а так же официальным дистрибьютором и эксклюзивным представителем в России производителя высокотехнологичных и надежных решений для передачи СВЧ сигналов «FORSTAR».



JONHON

«JONHON» (основан в 1970 г.)

Разъемы специального, военного и аэрокосмического назначения:

(Применяются в военной, авиационной, аэрокосмической, морской, железнодорожной, горно- и нефтедобывающей отраслях промышленности)

«FORSTAR» (основан в 1998 г.)

ВЧ соединители, коаксиальные кабели, кабельные сборки и микроволновые компоненты:

(Применяются в телекоммуникациях гражданского и специального назначения, в средствах связи, РЛС, а так же военной, авиационной и аэрокосмической отраслях промышленности).



Телефон: 8 (812) 309-75-97 (многоканальный)

Факс: 8 (812) 320-03-32

Электронная почта: ocean@oceanchips.ru

Web: <http://oceanchips.ru/>

Адрес: 198099, г. Санкт-Петербург, ул. Калинина, д. 2, корп. 4, лит. А