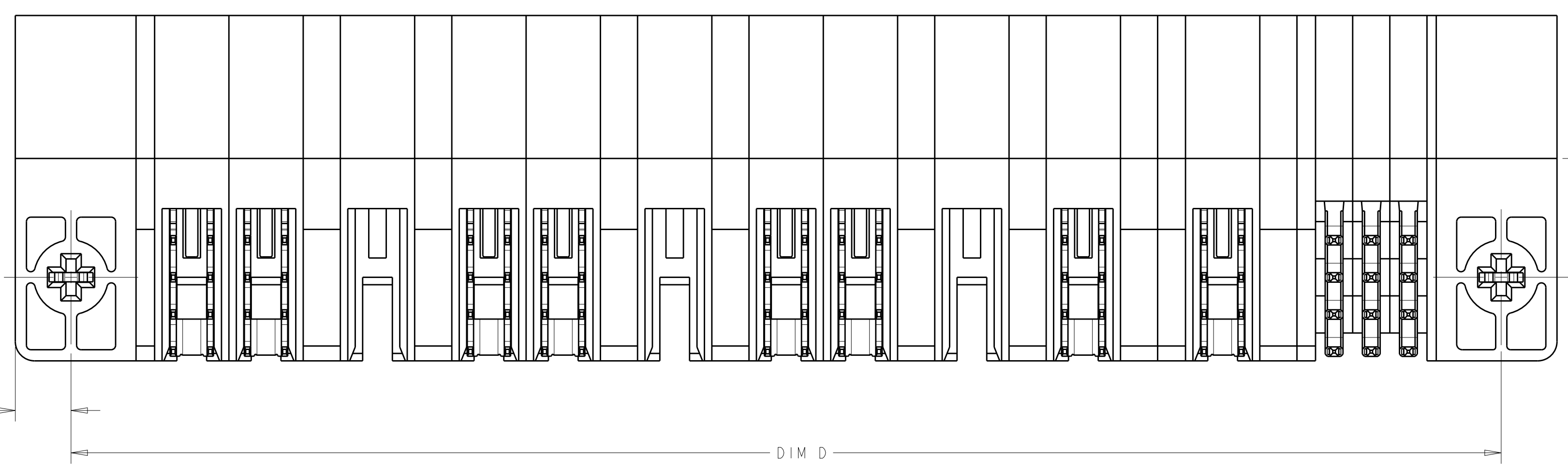
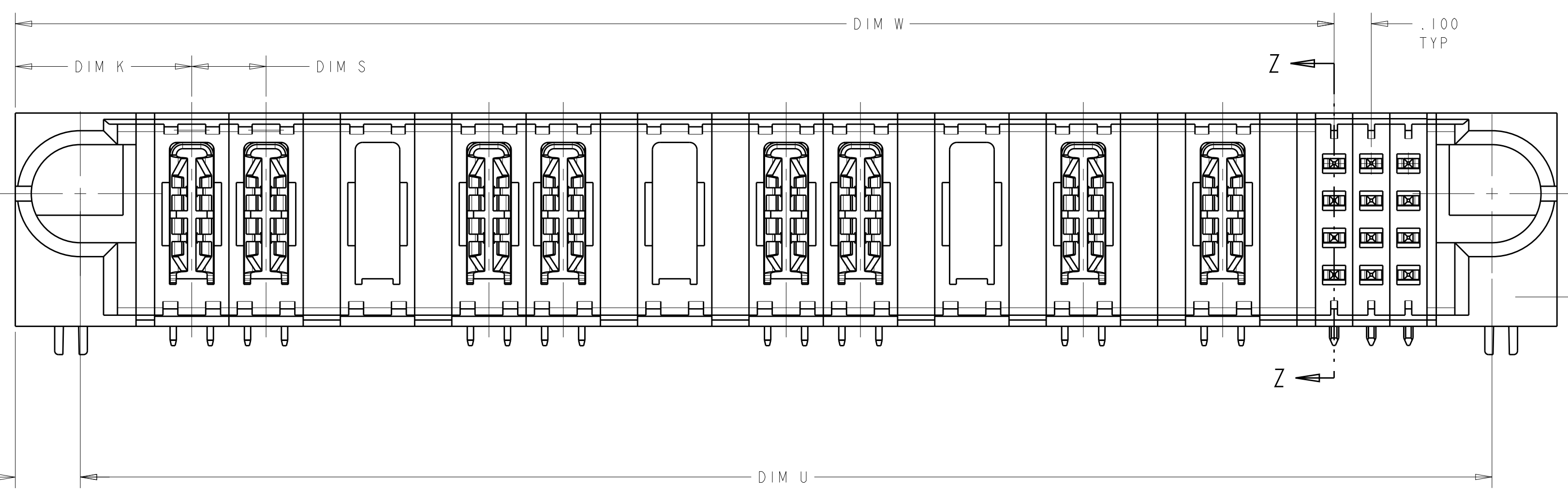
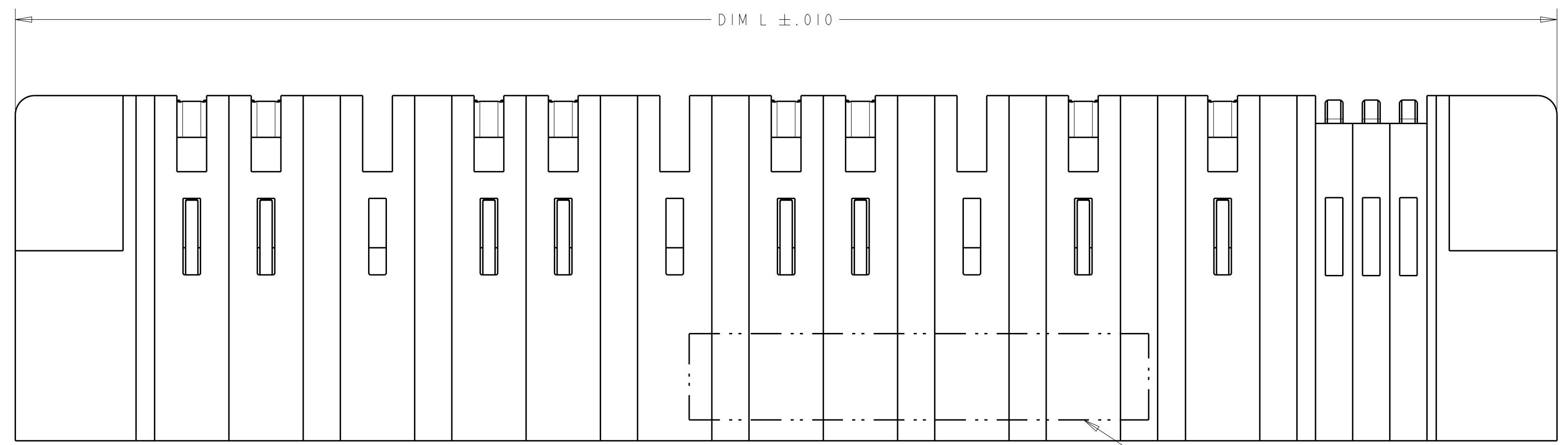
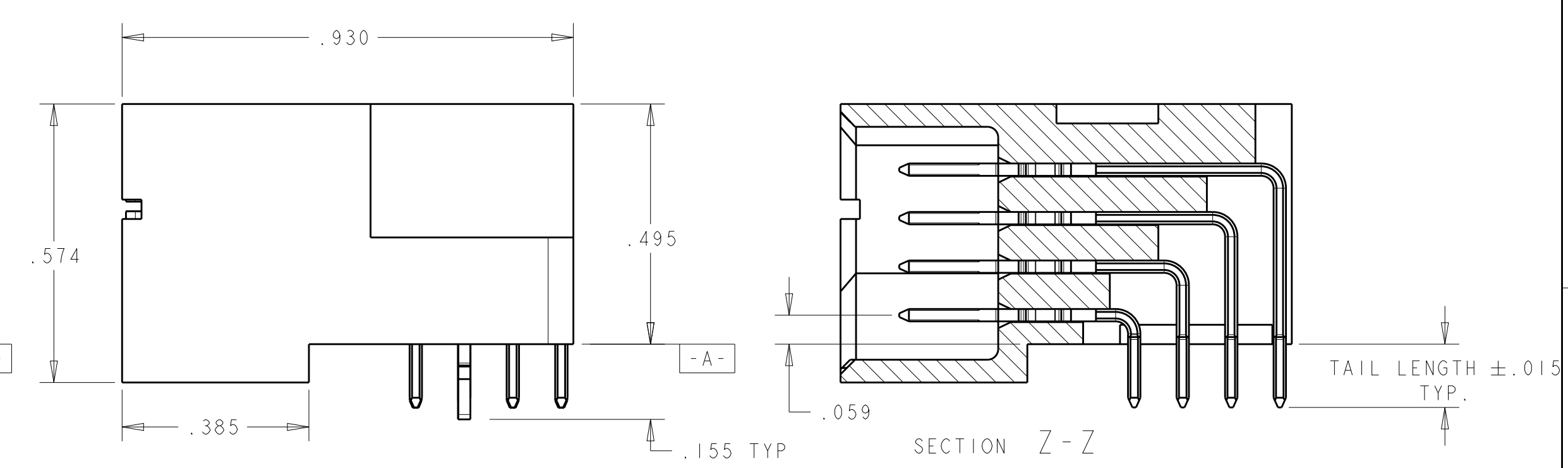


LOC	DIST	REVISIONS			
P	LTN	DESCRIPTION	DATE	DWN	APVD
E8		RELEASE 2-3	10AUG2014	CZ	SZ
E9		ADD NEW DASH NUMBER 3-0	19AUG2014	CZ	SZ



- 1 "AMP" TRADEMARK, PART NUMBER, AND DATE CODE TO BE MARKED IN AREA SHOWN
- 2 MATERIAL:
HOUSING - GLASS FILLED HIGH TEMP THERMO PLASTIC, UL94 V-0
SIGNAL CONTACT - COPPER ALLOY
POWER CONTACT - HIGH CONDUCTIVITY COPPER ALLOY
- 3 CONTACT PLATING: NOBLE METAL PLATING ON CONTACT FUNCTIONAL AREA OF POWER AND SIGNAL CONTACTS.
- 4 MECHANICAL CONNECTOR KEEP OUT ZONE.
- 5 DATUM AND BASIC DIMENSIONS ESTABLISHED BY CUSTOMER.
- 6 PCB - ALL HOLES DIAMETERS ARE FINISHED HOLE SIZES.
- 7 PCB - .0453±.0010 DRILLED HOLES PLATED WITH .0003 MIN. Sn OVER .001 TO .003 CU PLATING TO ACHIEVE A .040±.003 DIA HOLE.
- 8 NOT RELEASED FOR PRODUCTION
- 9 VARIABLE DIMENSIONS SHOWN ON VIEW (SHEET 2)


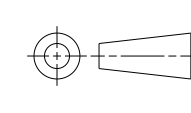


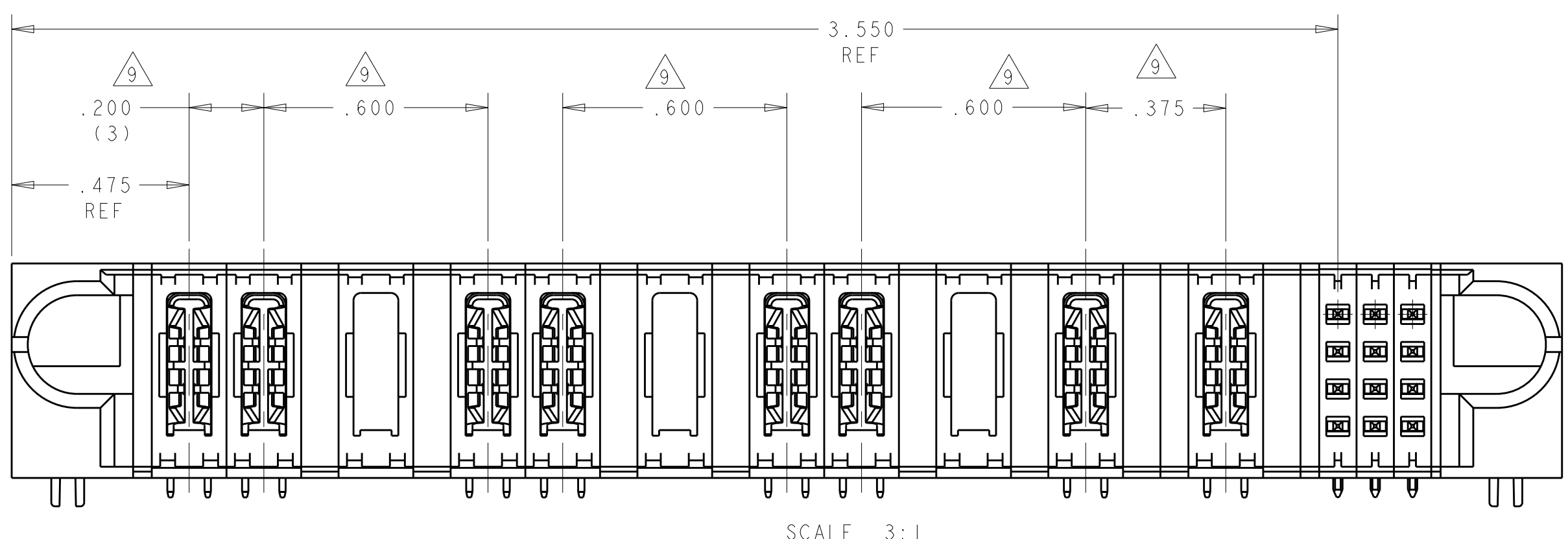
THIS DRAWING IS A CONTROLLED DOCUMENT.		DWN R. GRZYBOWSKI CHK M. PERCHERKE	02FEB05 02FEB05	STE TE Connectivity
DIMENSIONS: INCHES		APVD M. PERCHERKE		
TOLERANCES UNLESS OTHERWISE SPECIFIED:		NAME RIGHT ANGLE HEADER ASSY W/GUIDES MULTI-BEAM XL		RESTRICTED TO
0 PLC ±. 1 PLC ±.01 2 PLC ±.005 3 PLC ±.002 4 PLC ±.002 ANGLES ±.2		PRODUCT SPEC 108-1973 APPLICATION SPEC 114-13038		
MATERIAL	FINISH	WEIGHT	SIZE A100779	CAGE CODE C=6450122
CUSTOMER DRAWING		SCALE 4:1	SHEET 1	OF 10
		REV E9		

THIS DRAWING IS UNPUBLISHED. RELEASED FOR PUBLICATION 20
 © COPYRIGHT 20 BY - ALL RIGHTS RESERVED.

LOC	DIST	REVISIONS					
		P	LTN	DESCRIPTION	DATE	DMN	APVD
GP	00	-	-	SEE SHEET 1	-	-	-

E9	1.700	.250	1.375	1.750	.450	2.050	4P + 16S	3-6450122-0
	2.400	.250	1.875	2.450	.450	2.750	6P + 24S	2-6450122-9
	1.300	.250	1.175	1.350	.450	1.650	3P + 8S	2-6450122-8
	2.050	.250	1.925	2.100	.450	2.400	6P + 8S	2-6450122-7
	4.425	.200	2.200	4.475	.450	4.775	9P + 92S	2-6450122-6
	2.900	.250	2.375	2.950	.450	3.250	8P + 24S	2-6450122-5
	2.700	.250	.875	2.750	.450	3.050	2P + 76S	2-6450122-4
	2.300	.250	1.875	2.350	.450	2.650	6P + 20S	2-6450122-3
	3.200	.250	2.875	3.250	.450	3.550	10P + 16S	2-6450122-2
	1.650	.200	1.225	1.700	.450	2.000	4P + 20S	2-6450122-1
	2.950	.200	2.425	3.000	.450	3.300	10P + 24S	2-6450122-0
	1.800	.250	1.375	1.850	.450	2.150	4P + 20S	1-6450122-9
	2.250	.250	1.975	2.300	.475	2.600	6P + 12S	1-6450122-7
	1.000	.250	.875	1.050	.450	1.350	2P + 8S	1-6450122-6
	1.850	.300	1.325	1.900	.475	2.200	3ACP + 24S	1-6450122-2
	5.900	.250	5.375	5.950	.450	6.250	20P + 24S	1-6450122-1
	1.400	.250	.875	1.450	.450	1.750	2P + 24S	1-6450122-0
	3.050	.250	2.125	3.100	.450	3.400	7P + 40S	6450122-8
	4.425	.250	3.875	4.475	.450	4.775	14P + 24S	6450122-6
	3.800	.250	3.550	3.850	.475	4.150	11P + 12S	6450122-3
	4.600	.250	3.875	4.650	.450	4.950	14P + 32S	6450122-2
	3.800	.250	3.550	3.850	.475	4.150	11P + 12S	6450122-1
	DIM U	DIM S	DIM W	DIM D	DIM K	DIM L	DESCRIPTION	PART NUMBER

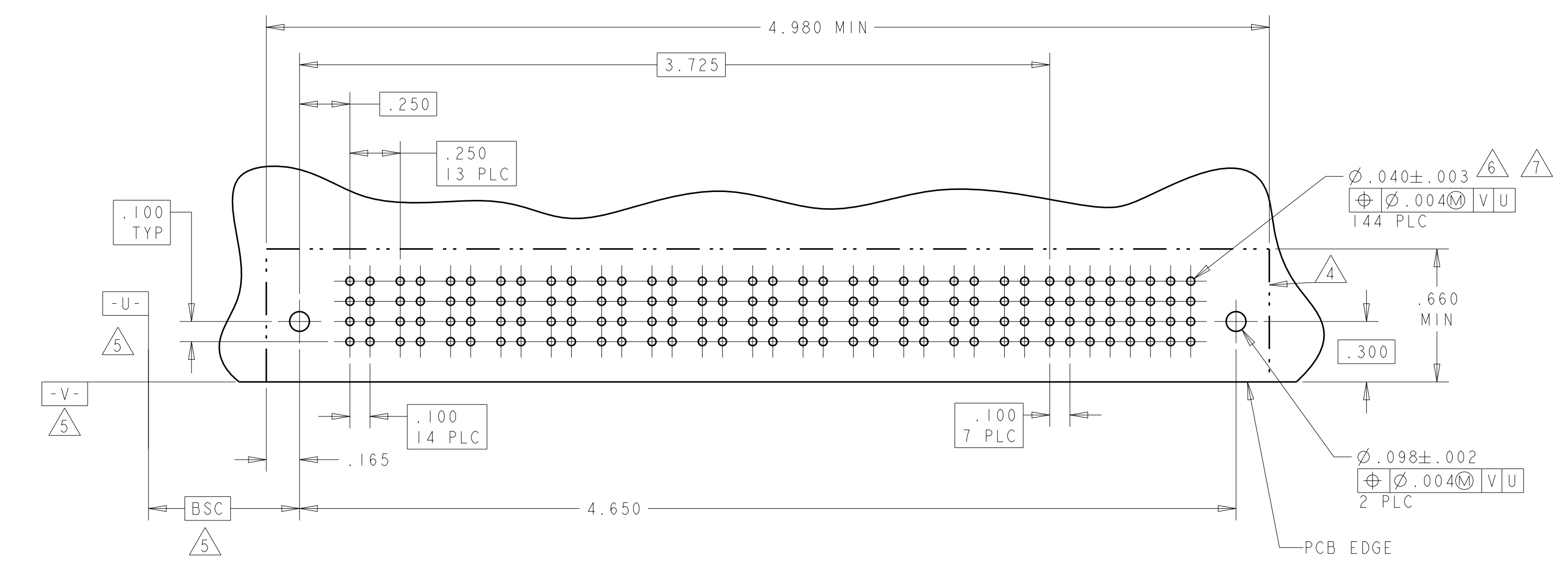
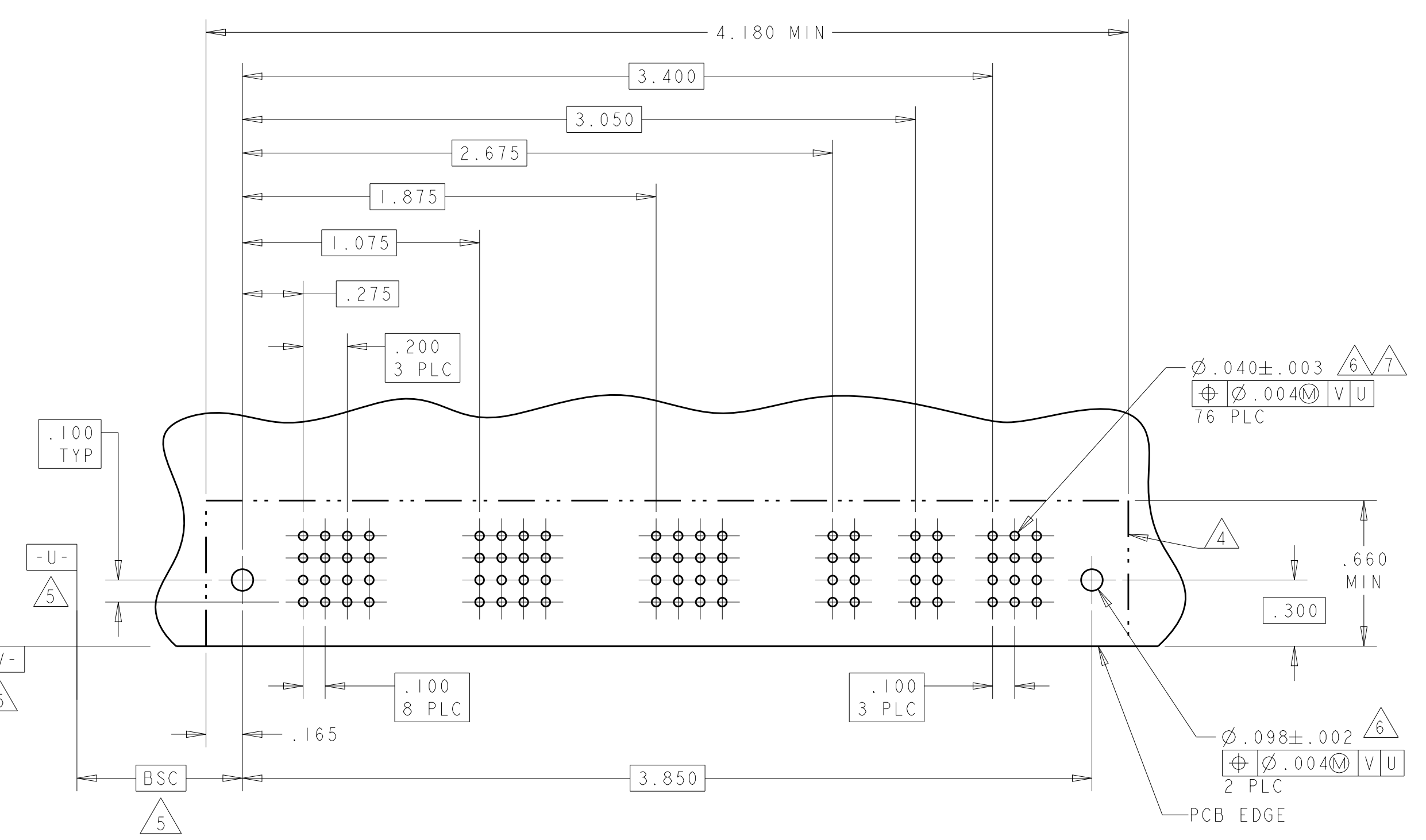
THIS DRAWING IS A CONTROLLED DOCUMENT.		DMN R. GRZYBOWSKI CHK M. PERCHERKE	02FEB05 02FEB05	 TE Connectivity	
DIMENSIONS: INCHES		TOLERANCES UNLESS OTHERWISE SPECIFIED:			
		0 PLC ±.01	APVD M. PERCHERKE	NAME RIGHT ANGLE HEADER ASSY W/GUIDES MULTI-BEAM XL	
MATERIAL		1 PLC ±.01	PRODUCT SPEC	SIZE CAGE CODE DRAWING NO	
		3 PLC ±.005	APPLICATION SPEC	A100779C=6450122	
		4 PLC ±.0020	FINISH	RESTRICTED TO	
		ANGLES ±.2	WEIGHT	SCALE 4:1 SHEET 2 OF 10 REV E9	
			CUSTOMER DRAWING		



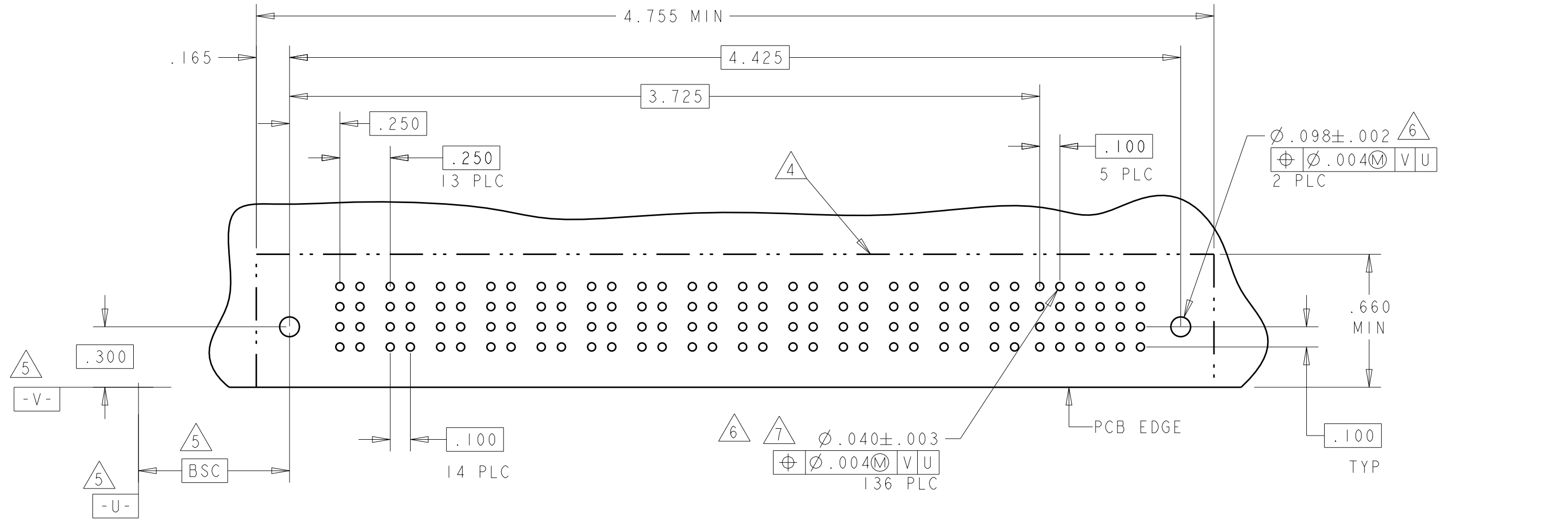
SCALE 3:1

PART NUMBER	ROWS	POWER										SIGNAL												
		P1	P2	P3	P4	P5	P6	P7	P8	P9	P10	P11	1	2	3									
6450122-1	D C B A	PM	PM		PM	PM		PM	PM		PM	PM	J	J	J	K	K	K	N	N	N	S	S	S
11P + 12S		NO CONTACT LOADED																						

PART NUMBER	ROWS	POWER										SIGNAL												
		P1	P2	P3	P4	P5	P6	P7	P8	P9	P10	P11	1	2	3									
6450122-3	D C B A	PM			PM			PM			PM	PM	J	J	J	K	K	K	N	N	N	S	S	S
11P + 12S		NO CONTACT LOADED																						



PART NUMBER	ROWS	POWER														SIGNAL																						
		P1	P2	P3	P4	P5	P6	P7	P8	P9	P10	P11	P12	P13	P14	1	2	3	4	5	6																	
6450122-6	D C B A	PM	PM	PM	PM	PM	PM	PM	PM	PM	PM	PM	PM	PM	J	J	J	J	J	J	K	K	K	K	K	K	N	N	N	N	N	N	S	S	S	S	S	S
14P + 24S																																						



Z	STD	.090	D
Y	STD	.090	C
R	STD	.090	B
O	STD	.090	A
H	MLBF	.135	A
J	STD	.135	D
K	STD	.135	C
N	STD	.135	B
S	STD	.135	A

CODE	MATING SEQUENCE	TAIL LENGTH	ROW

THIS DRAWING IS A CONTROLLED DOCUMENT.

OWN: R. GRZYBOWSKI 02FEB05
 CHK: M. PERCHERKE 02FEB05
 APVD: M. PERCHERKE

PRODUCT SPEC: 108-1973
 APPLICATION SPEC: 114-13038
 MATERIAL: 114-13038
 FINISH: #2

PA: .090
 PM: .135
 CODE: TAIL LENGTH
 POWER CONTACT

STE TE Connectivity

RIGHT ANGLE HEADER ASSY W/GUIDES
 MULTI-BEAM XL

SIZE: A1
 CAGE CODE: 100779
 DRAWING NO: 6450122
 SHEET 3 OF 10

SCALE: 4:1

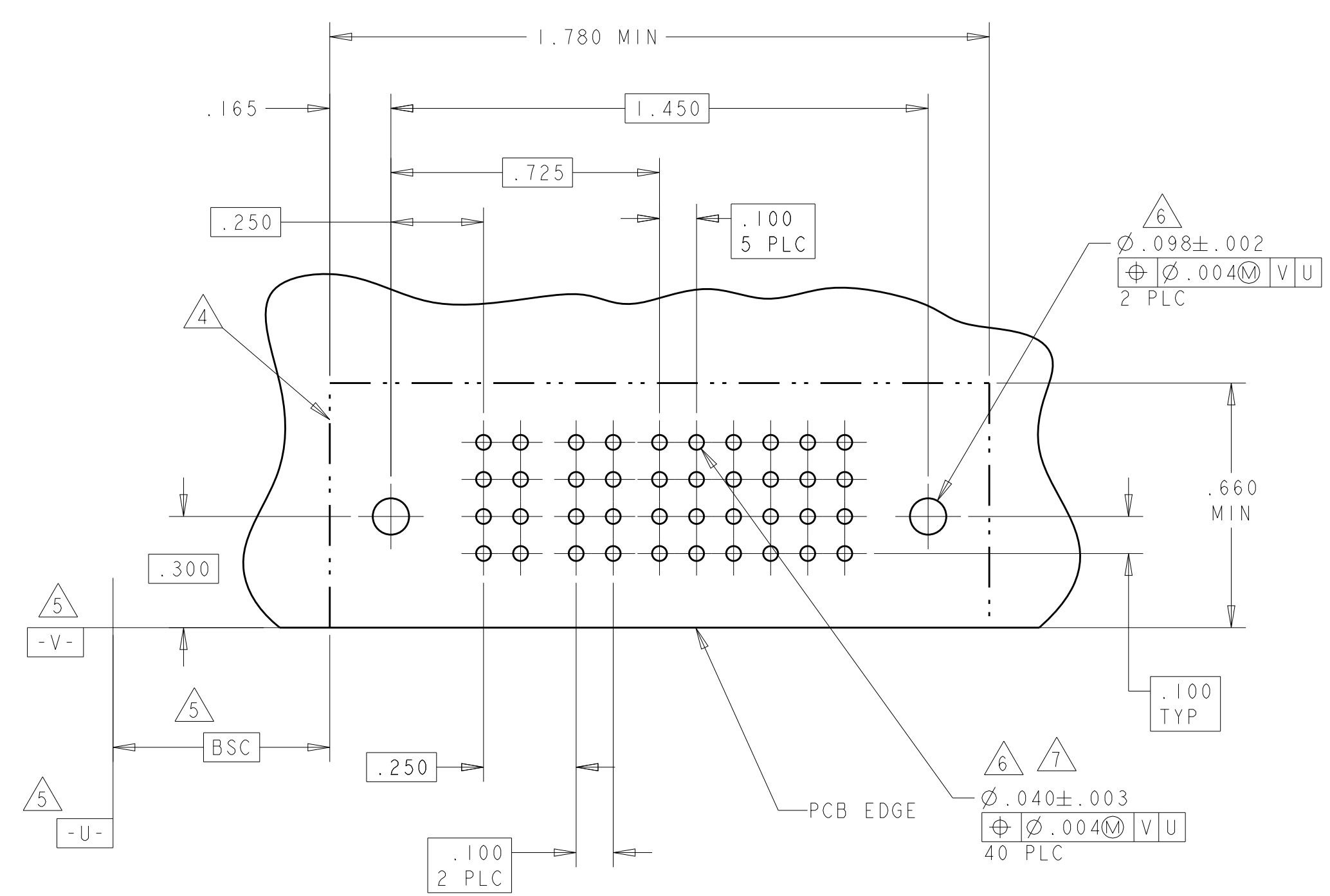
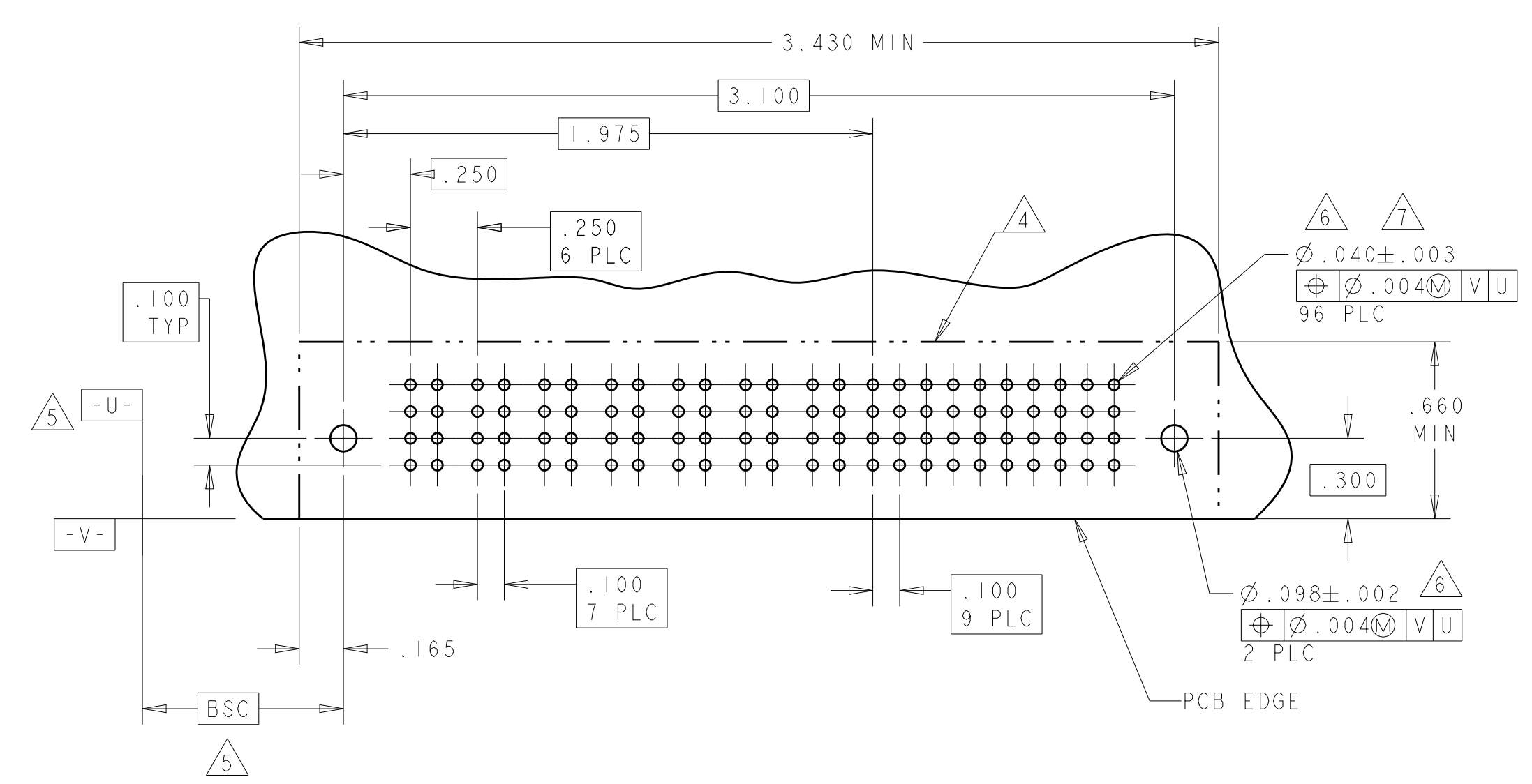
LOC	DIST	REV	DATE	OWN	APVD
GP	00				

REV	DATE	OWN	APVD
1			

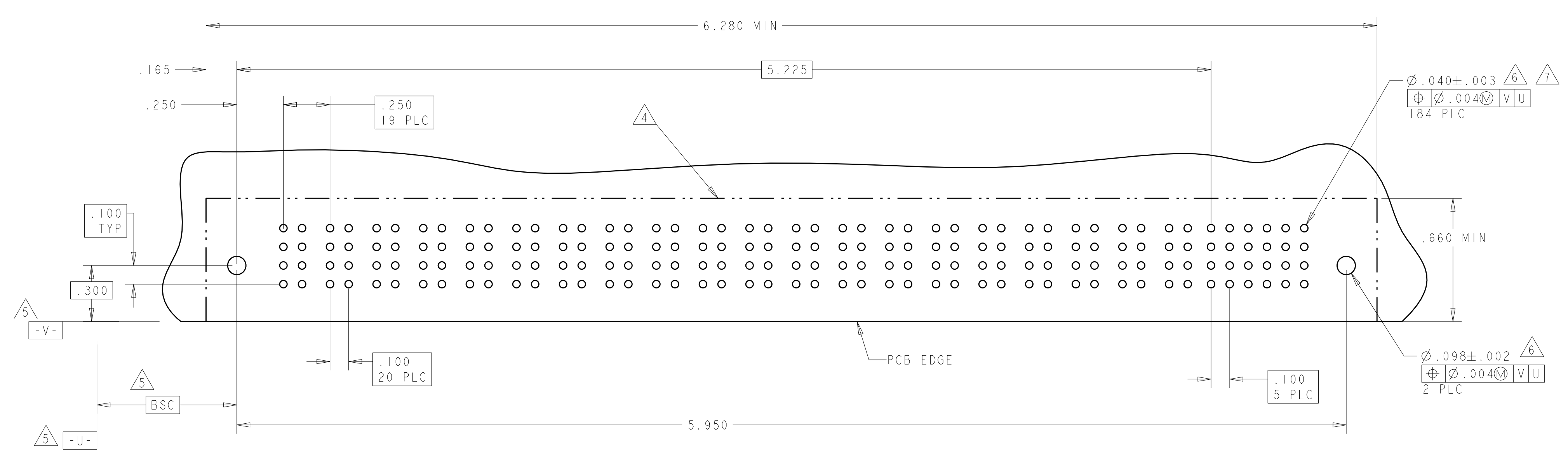
PART NUMBER	ROWS	POWER														SIGNAL																														
		P1	P2	P3	P4	P5	P6	P7	P8	P9	P10	P11	P12	P13	P14	1	2	3	4	5	6	7	8																							
6450122-2	D C B A	PM	PM	PM	PM	PM	PM	PM	PM	PM	PM	PM	PM	PM	J	J	J	J	J	J	J	J	K	K	K	K	K	K	K	K	N	N	N	N	N	N	N	N	S	S	S	S	S	S	S	S
14P + 32S																																														

PART NUMBER	ROWS	POWER							SIGNAL									
		P1	P2	P3	P4	P5	P6	P7	1	2	3	4	5	6	7	8	9	10
6450122-8	D C B A	PM	PM	PM	PM	PM	PM	PM	J	J	J	J	J	J	J	J	J	J
									K	K	K	K	K	K	K	K	K	K
									N	N	N	N	N	N	N	N	N	N
									S	S	S	S	S	S	S	S	S	S
7P + 40S																		

PART NUMBER	ROWS	POWER		SIGNAL					
		P1	P2	1	2	3	4	5	6
1-6450122-0	D C B A	PM	PM	J	J	J	J	J	J
				K	K	K	K	K	K
				N	N	N	N	N	N
				S	S	S	S	S	S
2P + 24S									



PART NUMBER	ROWS	POWER																				SIGNAL					
		P1	P2	P3	P4	P5	P6	P7	P8	P9	P10	P11	P12	P13	P14	P15	P16	P17	P18	P19	P20	1	2	3	4	5	6
1-6450122-1	D C B A	PM	PM	PM	PM	PM	PM	PM	PM	PM	PM	PM	PM	PM	PM	PM	PM	PM	PM	PM	PM	J	J	J	J	J	J
																						K	K	K	K	K	K
																						N	N	N	N	N	N
																						S	S	S	S	S	S
20P + 24S																											



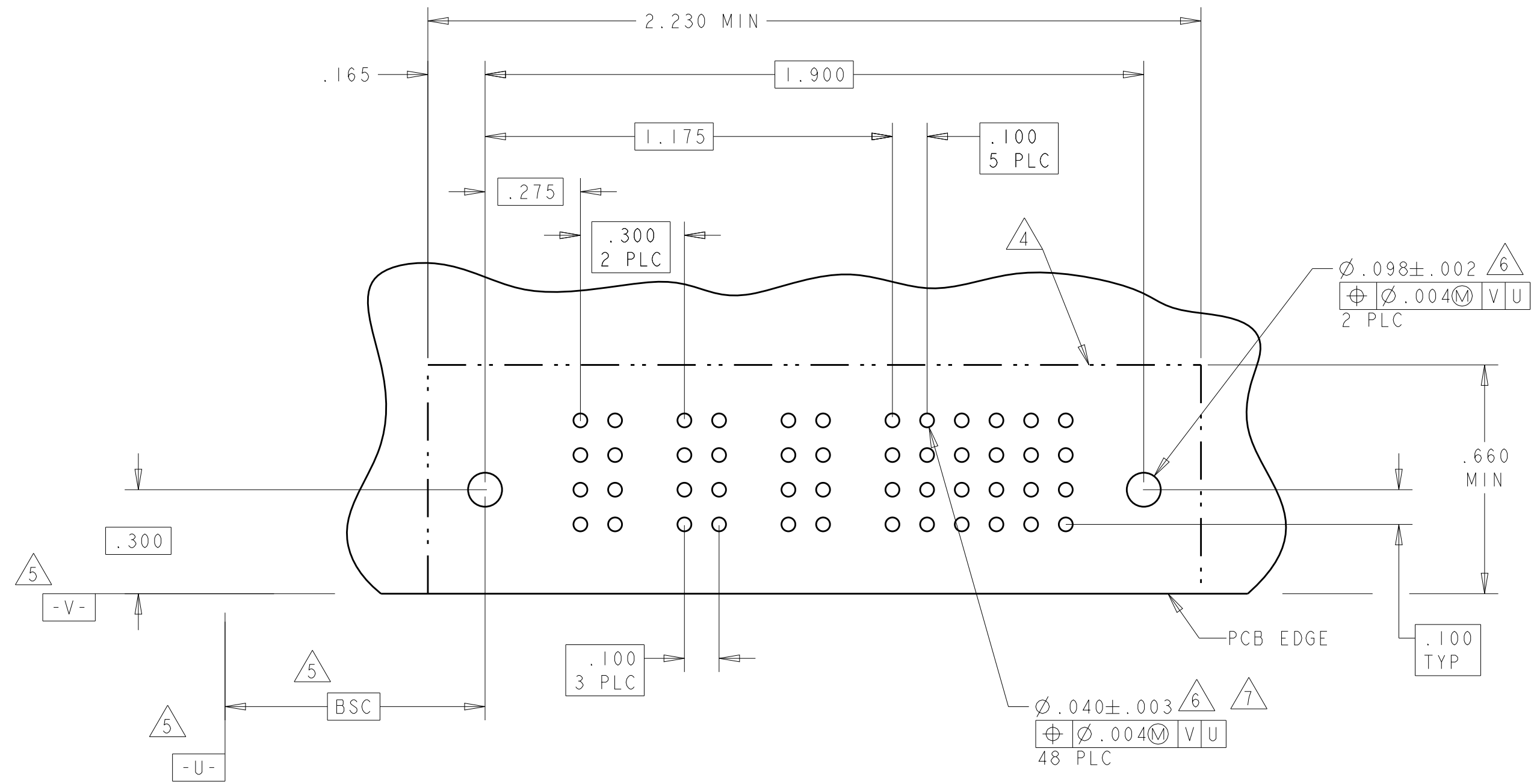
THIS DRAWING IS A CONTROLLED DOCUMENT.

DIMENSIONS:	TOLERANCES UNLESS OTHERWISE SPECIFIED:	DMN: R. GRZYBOWSKI 02FEB05	CHK: M. PERCHERKE 02FEB05	APVD: M. PERCHERKE	NAME: M. PERCHERKE
INCHES	0 PLC ± .01 1 PLC ± .01 2 PLC ± .01 3 PLC ± .01 4 PLC ± .0020 ANGLES ± .2	PRODUCT SPEC: 108-1973	APPLICATION SPEC: 114-13038	WEIGHT: -	RESTRICTED TO: -
MATERIAL: -	FINISH: -	CUSTOMER DRAWING	SCALE: 4:1	SHEET: 4 OF 10	REV: E9

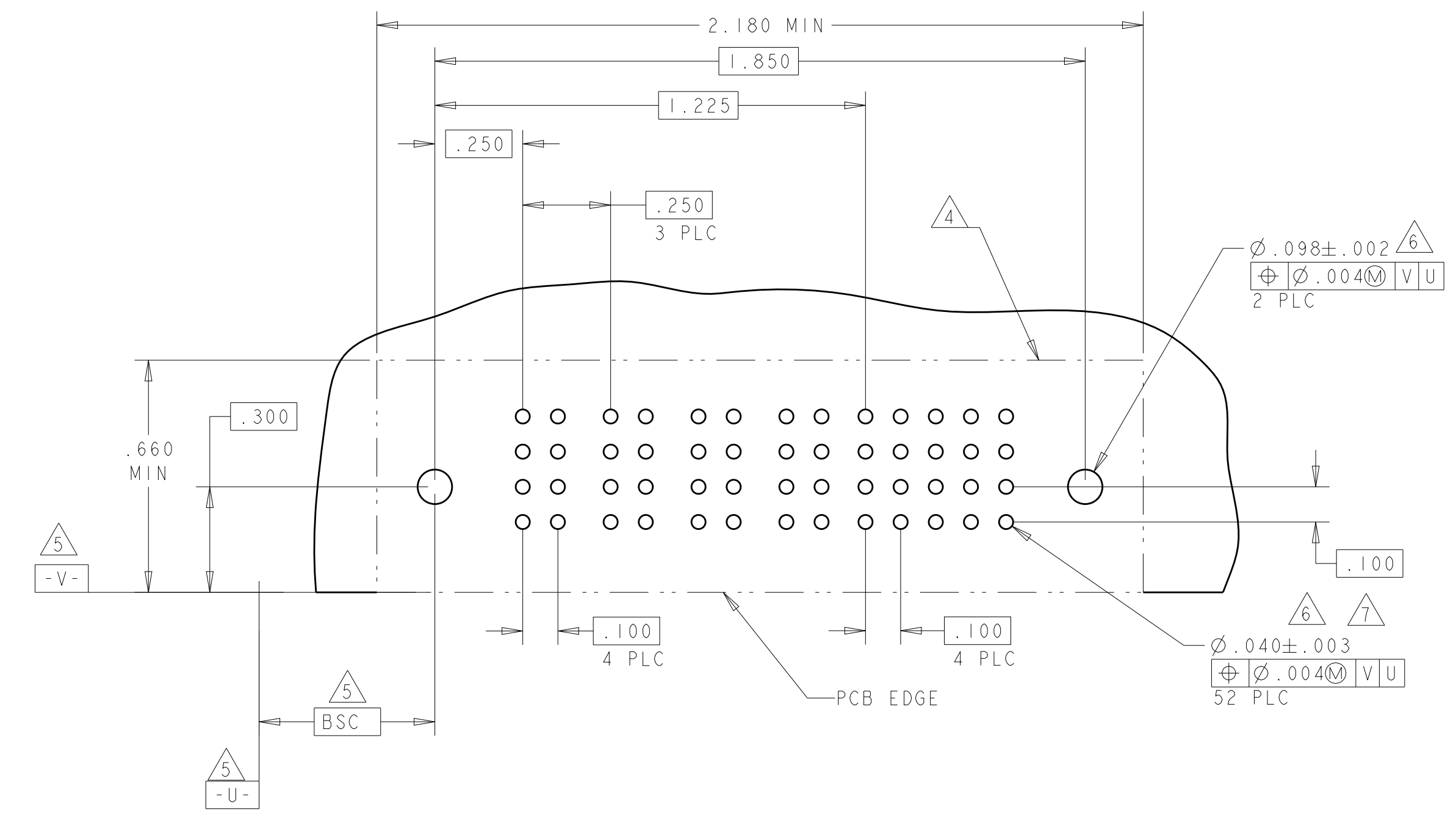
STE TE Connectivity
 RIGHT ANGLE HEADER ASSY W/GUIDES MULTI-BEAM XL
 SIZE: A100779 C=6450122

LOC	DIST	REVISIONS			
GP	00	REV	DATE	BY	APPROV
		1			
		2			
		3			
		4			
		5			
		6			
		7			
		8			
		9			
		10			

PART NUMBER	ROWS	POWER			SIGNAL						
		P1	P2	P3	1	2	3	4	5	6	
1-6450122-2	D	PM	PM	PM	J	J	J	J	J	J	
	C				K	K	K	K	K	K	
	B				N	N	N	N	N	N	
	A				S	S	S	S	S	S	
3ACP + 24S											

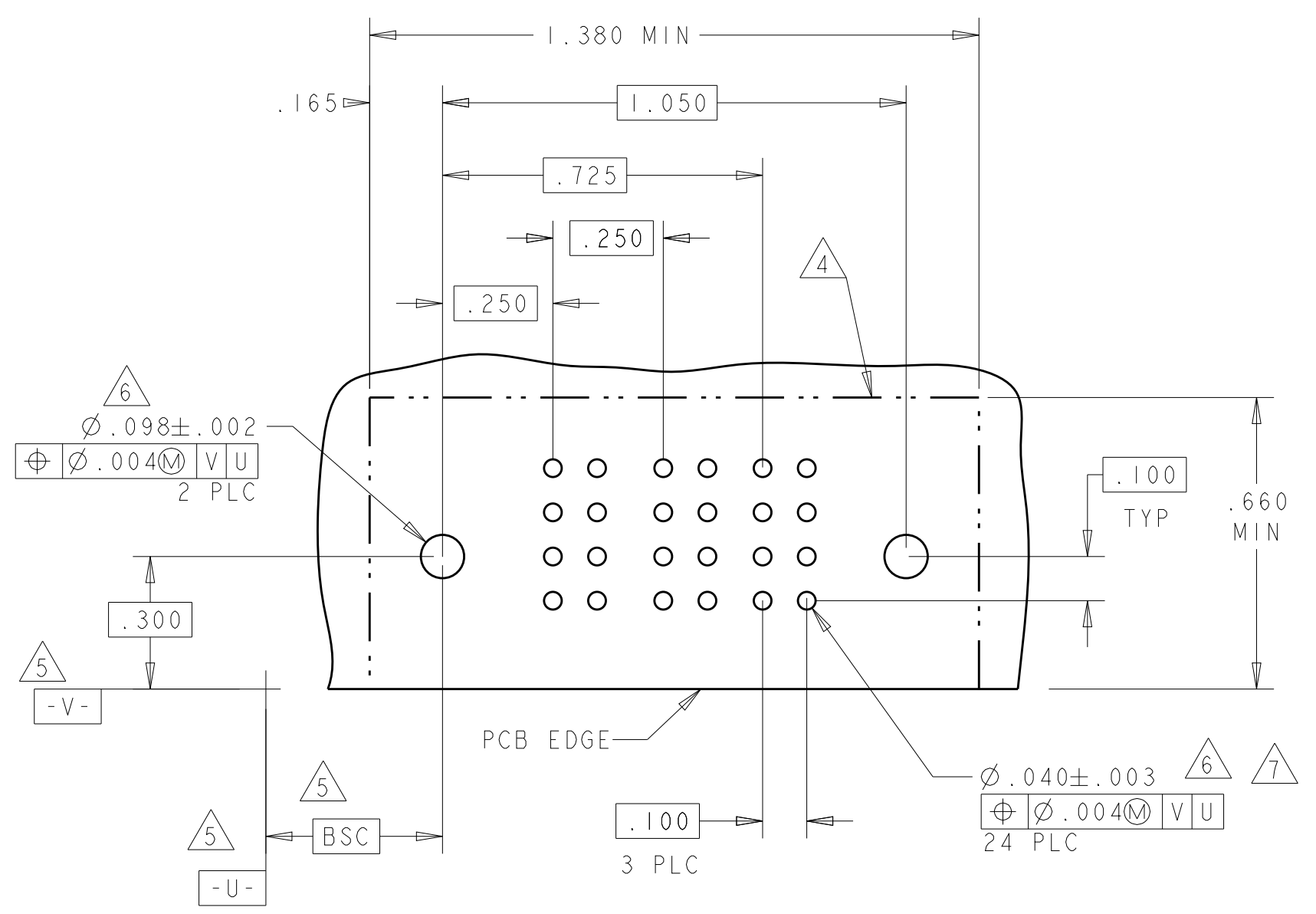


PART NUMBER	ROWS	POWER				SIGNAL					
		P1	P2	P3	P4	1	2	3	4	5	
1-6450122-9	D	PM	PM	PM	PM	J	J	J	J	J	
	C					K	K	K	K	K	
	B					N	N	N	N	N	
	A					S	S	S	S	S	
4P + 20S											

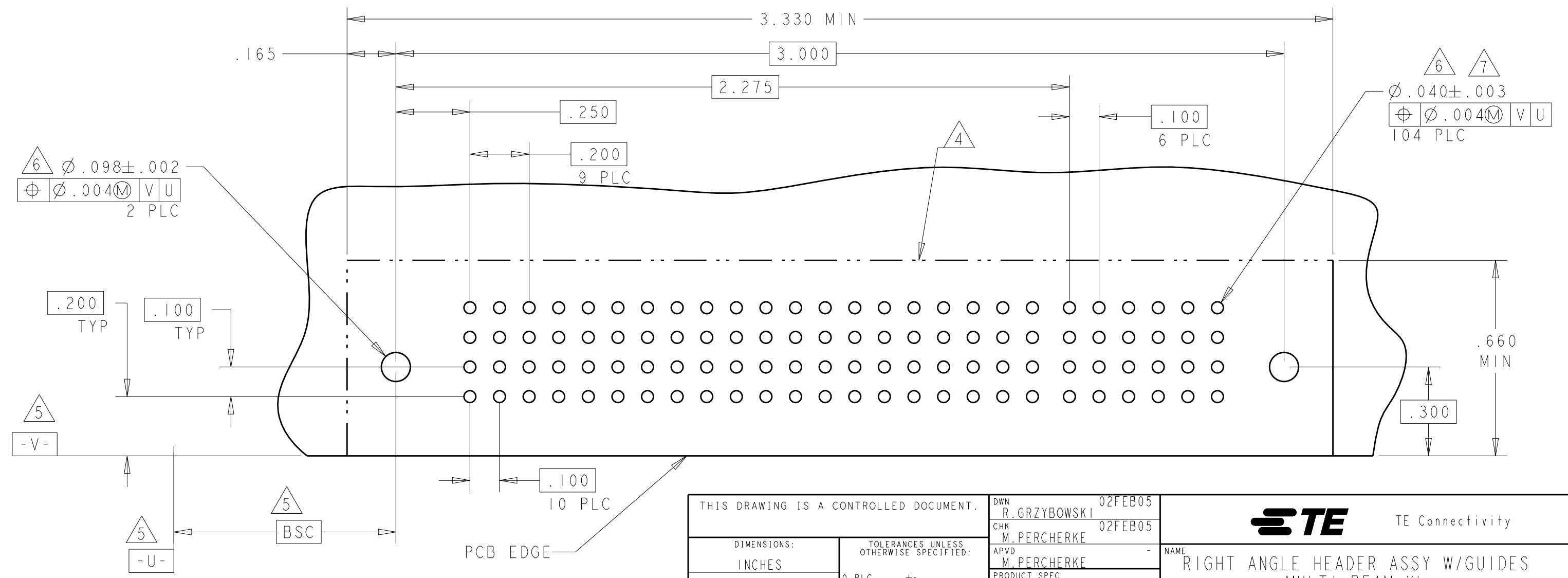


NO CONTACTS LOADED

PART NUMBER	ROWS	POWER		SIGNAL	
		P1	P2	1	2
1-6450122-6	D	PM	PM	J	J
	C			K	K
	B			N	N
	A			S	S
2P + 8S					



PART NUMBER	ROWS	POWER										SIGNAL					
		P1	P2	P3	P4	P5	P6	P7	P8	P9	P10	1	2	3	4	5	6
2-6450122-0	D	PM	PM	PM	PM	PM	PM	PM	PM	PM	PM	J	J	J	J	J	J
	C											K	K	K	K	K	K
	B											N	N	N	N	N	N
	A											S	S	S	S	S	S
10P + 24S																	



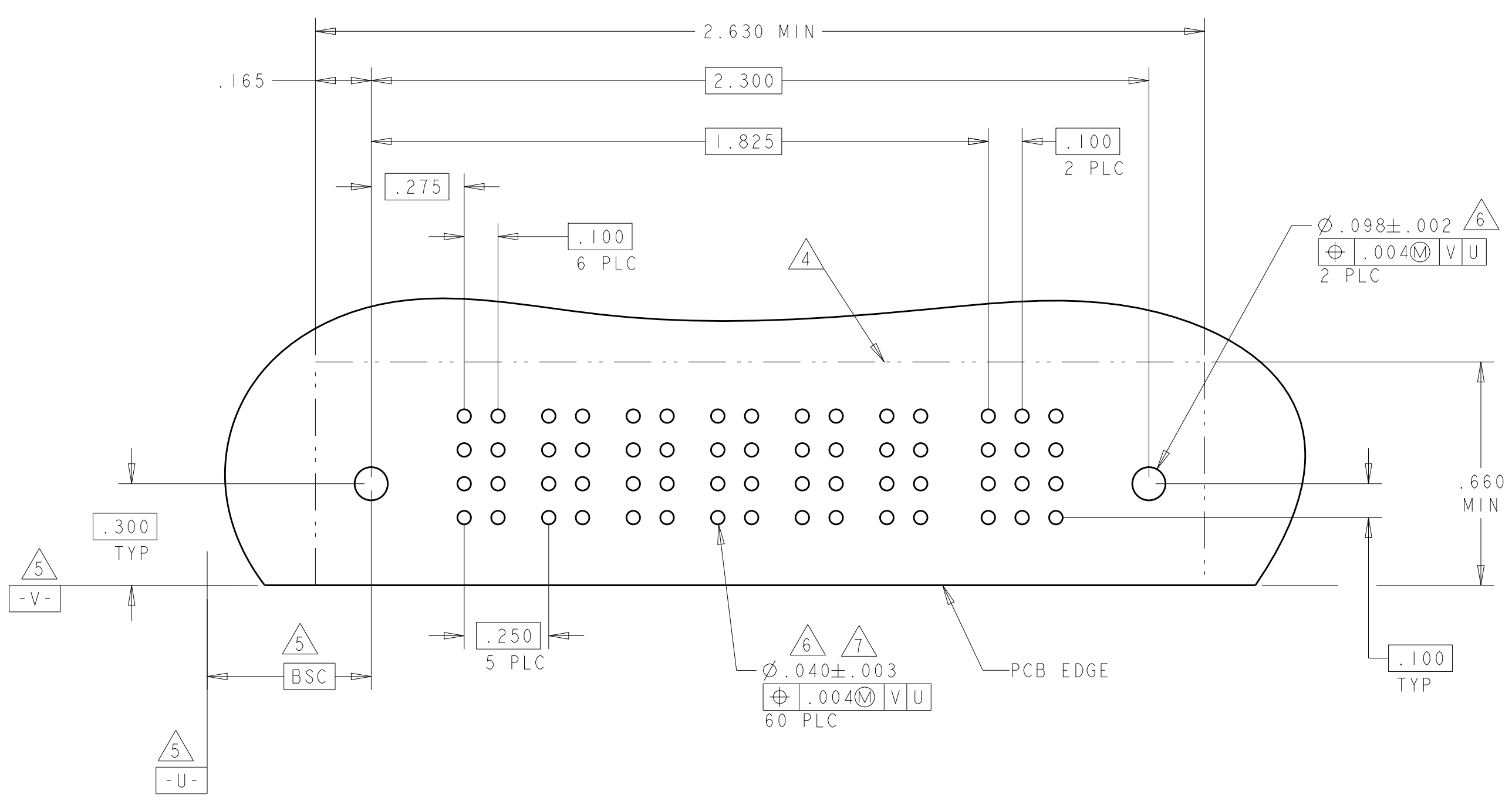
THIS DRAWING IS A CONTROLLED DOCUMENT.

DIMENSIONS: INCHES	TOLERANCES UNLESS OTHERWISE SPECIFIED: 0 PLC ±.01 1 PLC ±.01 2 PLC ±.01 3 PLC ±.005 4 PLC ±.002 ANGLES ±.020	OWN: R. GRZYBOWSKI 02FEB05 CHK: M. PERCHERKE 02FEB05 APVD: M. PERCHERKE PRODUCT SPEC 108-1973 APPLICATION SPEC 114-13038 WEIGHT SCALE: 4:1	NAME: RIGHT ANGLE HEADER ASSY W/GUIDES MULTI-BEAM XL SIZE: A CAGE CODE: 6450122 SHEET 5 OF 10 REV: E9
-----------------------	--	--	---

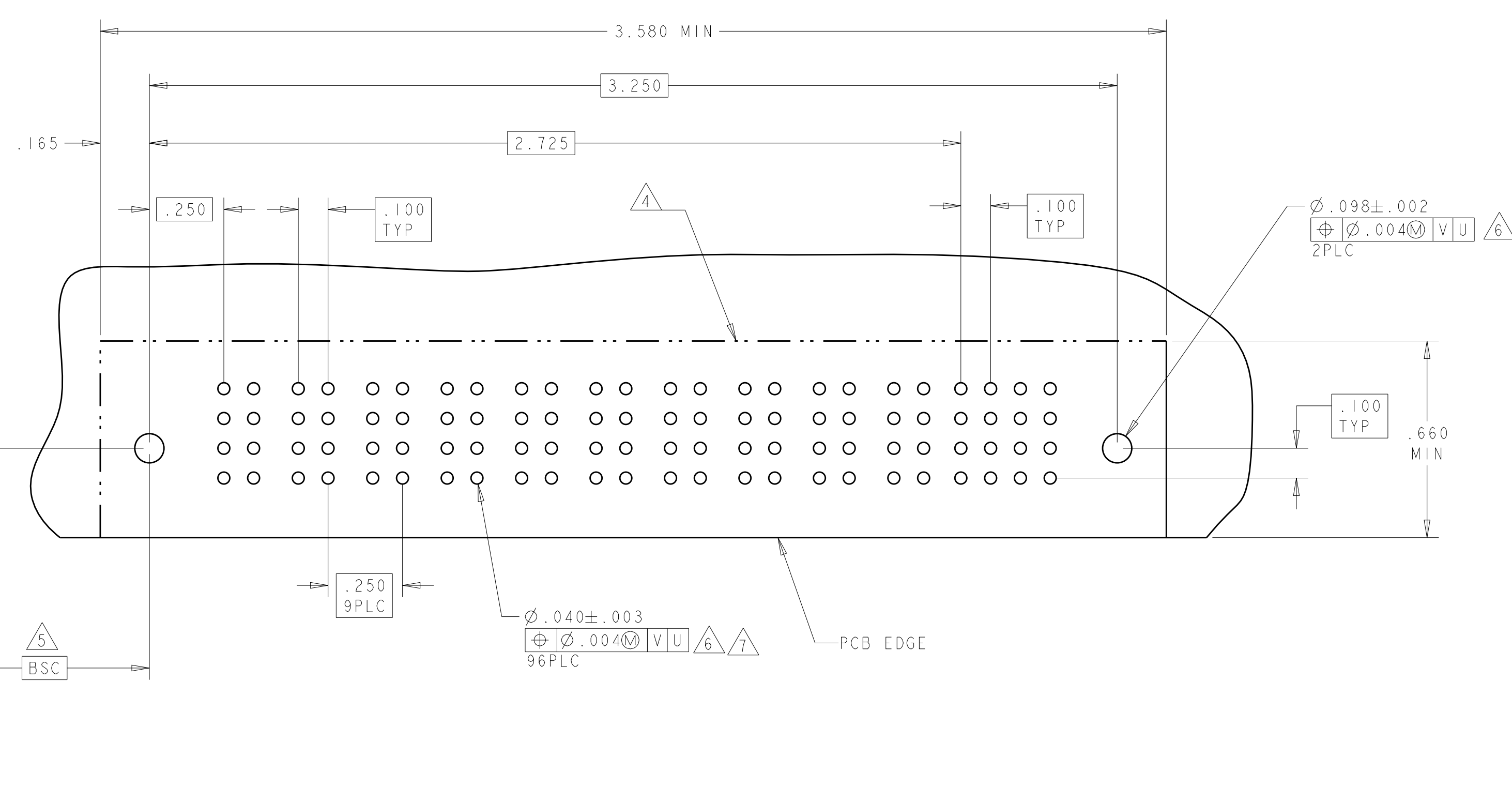
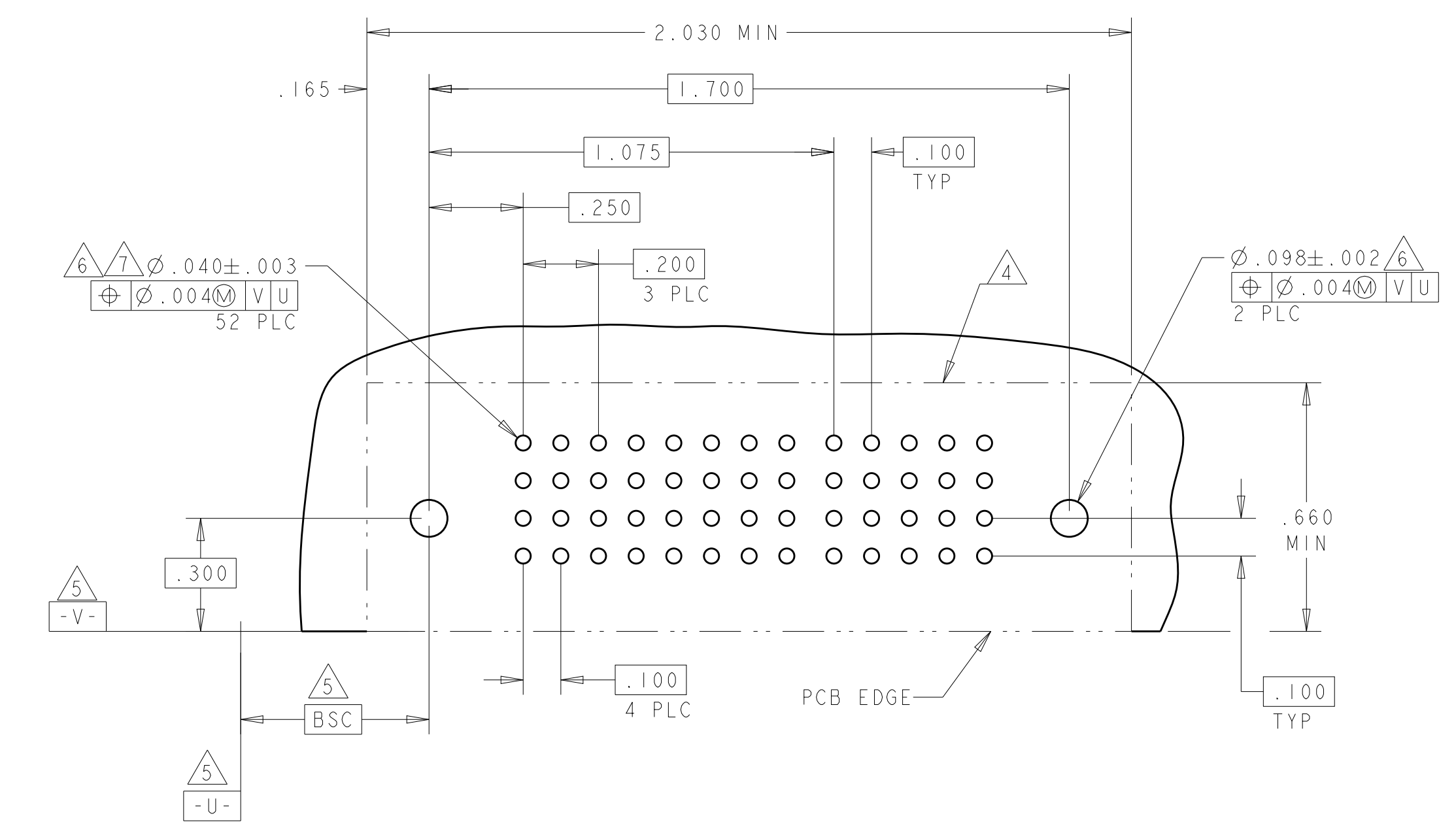
MATERIAL: FINISH: CUSTOMER DRAWING

LOC		DIST		REVISIONS			
GP	00	P	LTN	DESCRIPTION	DATE	DMN	APVD
				SEE SHEET 1			

PART NUMBER	ROWS	POWER						SIGNAL		
		P1	P2	P3	P4	P5	P6	1	2	3
1-6450122-7	D	PM	PM	PM	PM	PM	PM	J	J	J
	C							K	K	K
	B							N	N	N
	A							S	S	S
6P + 12S		HD		HD						



PART NUMBER	ROWS	POWER				SIGNAL				
		P1	P2	P3	P4	1	2	3	4	5
2-6450122-1	D	PM	PM	PM	PM	J	J	J	J	J
	C					K	K	K	K	
	B					N	N	N	N	
	A					H	H	H	H	
4P + 20S		HD		HD						



PART NUMBER	ROWS	POWER										SIGNAL			
		P1	P2	P3	P4	P5	P6	P7	P8	P9	P10	1	2	3	4
2-6450122-2	D	PM	PM	PM	PM	PM	PM	PM	PM	PM	PM	J	J	J	J
	C											K	K	K	K
	B											N	N	N	N
	A											S	S	S	S
10P + 16S		HD		HD											

THIS DRAWING IS A CONTROLLED DOCUMENT. DIMENSIONS: INCHES. TOLERANCES UNLESS OTHERWISE SPECIFIED: 0 PLC ±, 1 PLC ±.01, 2 PLC ±.01, 3 PLC ±.005, 4 PLC ±.0020, ANGLES ±.020, FINISH #2.

OWN: R. GRZYBOWSKI, 02FEB05
 CHK: M. PERCHERKE, 02FEB05
 APVD: M. PERCHERKE

NAME: RIGHT ANGLE HEADER ASSY W/GUIDES MULTI-BEAM XL
 PRODUCT SPEC: 108-1973
 APPLICATION SPEC: 114-13038
 WEIGHT: -
 CUSTOMER DRAWING

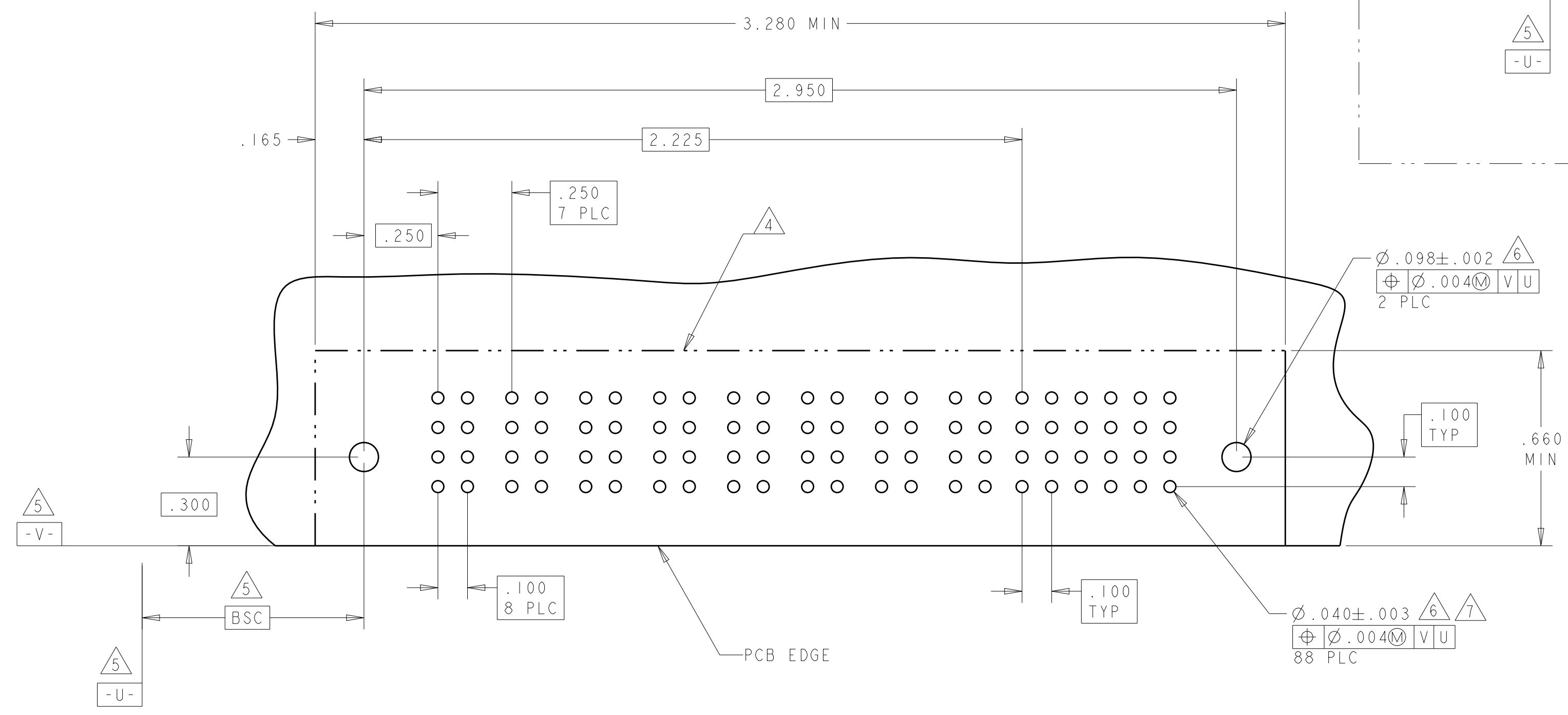
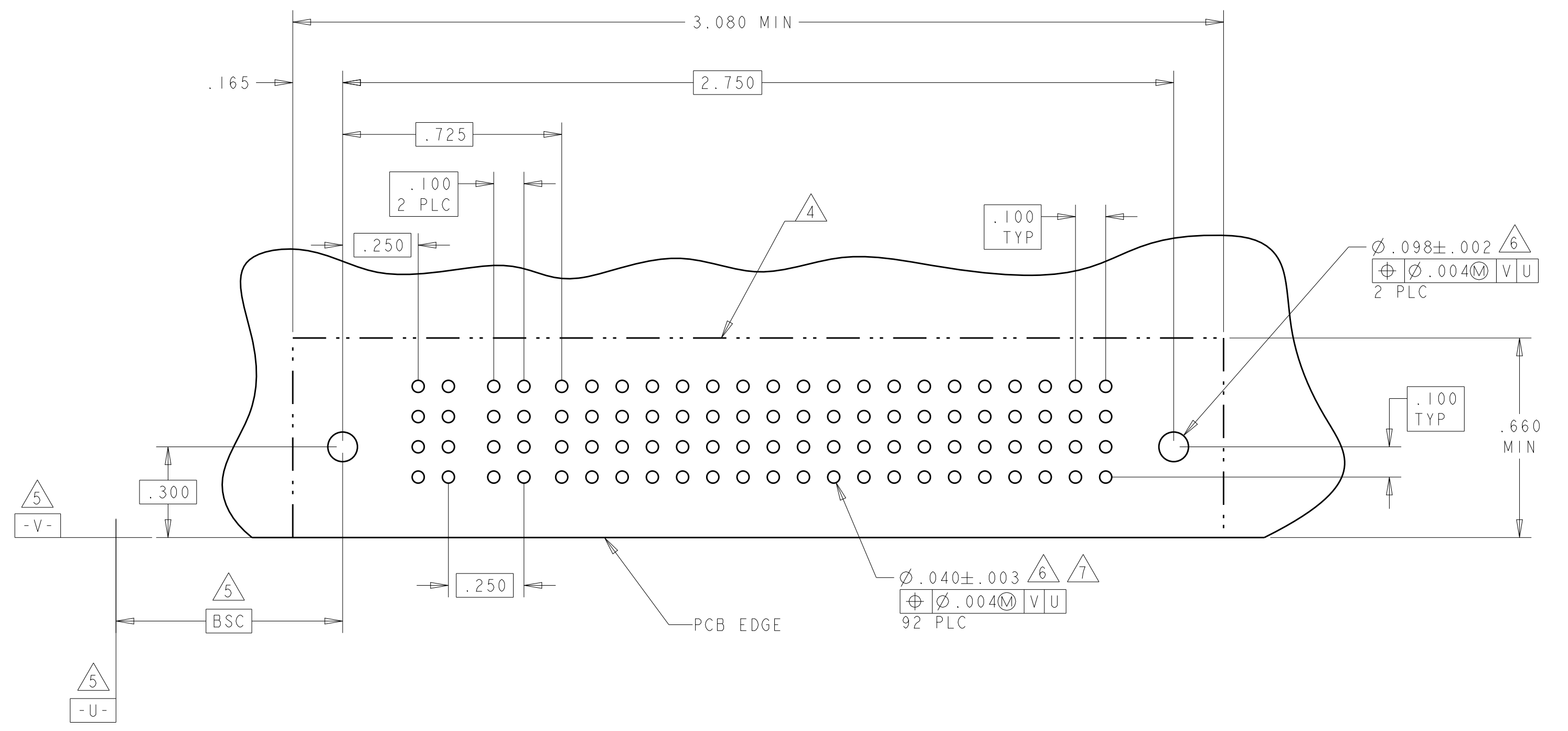
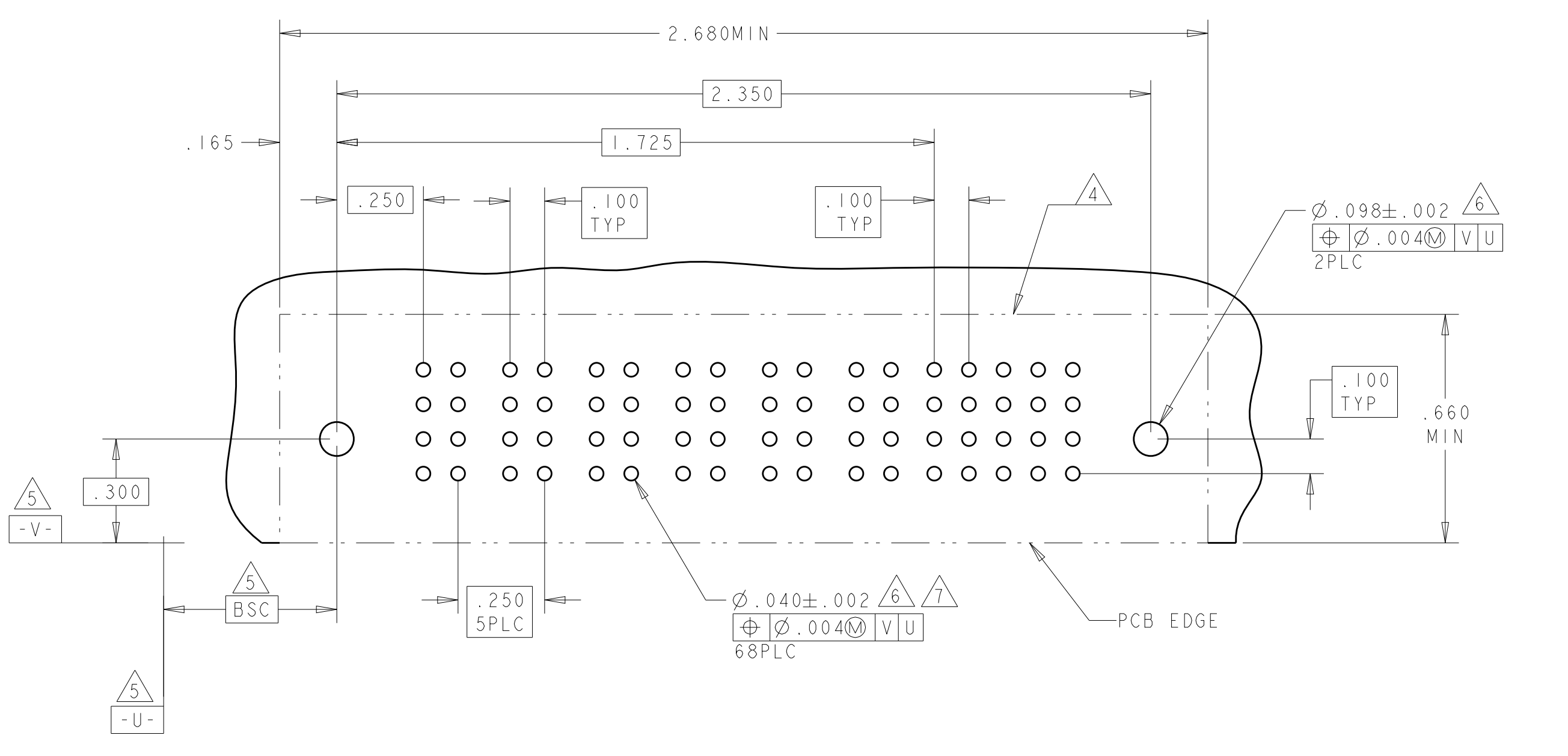
SCALE: 4:1 SHEET 6 OF 10 REV: E9

STE TE Connectivity

LOC	DIST	REVISIONS			
GP	00	REV	DATE	BY	APPV
		1	SEE SHEET 1		

PART NUMBER	ROWS	POWER						SIGNAL				
		P1	P2	P3	P4	P5	P6	1	2	3	4	5
2-6450122-3	D C B A	PM	PM	PM	PM	PM	PM	J	J	J	J	J
								K	K	K	K	K
								N	N	N	N	N
6P + 20S	HD	HD	HD	HD	HD	HD	HD	S	S	S	S	S

PART NUMBER	ROWS	POWER		SIGNAL																			
		P1	P2	1	2	3	4	5	6	7	8	9	10	11	12	13	14	15	16	17	18	19	
2-6450122-4	D C B A	PA	PA	Z	Z	Z	Z	Z	Z	Z	Z	Z	Z	Z	Z	Z	Z	Z	Z	Z	Z	Z	
				Y	Y	Y	Y	Y	Y	Y	Y	Y	Y	Y	Y	Y	Y	Y	Y	Y	Y	Y	Y
				R	R	R	R	R	R	R	R	R	R	R	R	R	R	R	R	R	R	R	R
2P + 76S	HD	HD	HD	O	O	O	O	O	O	O	O	O	O	O	O	O	O	O	O	O	O		

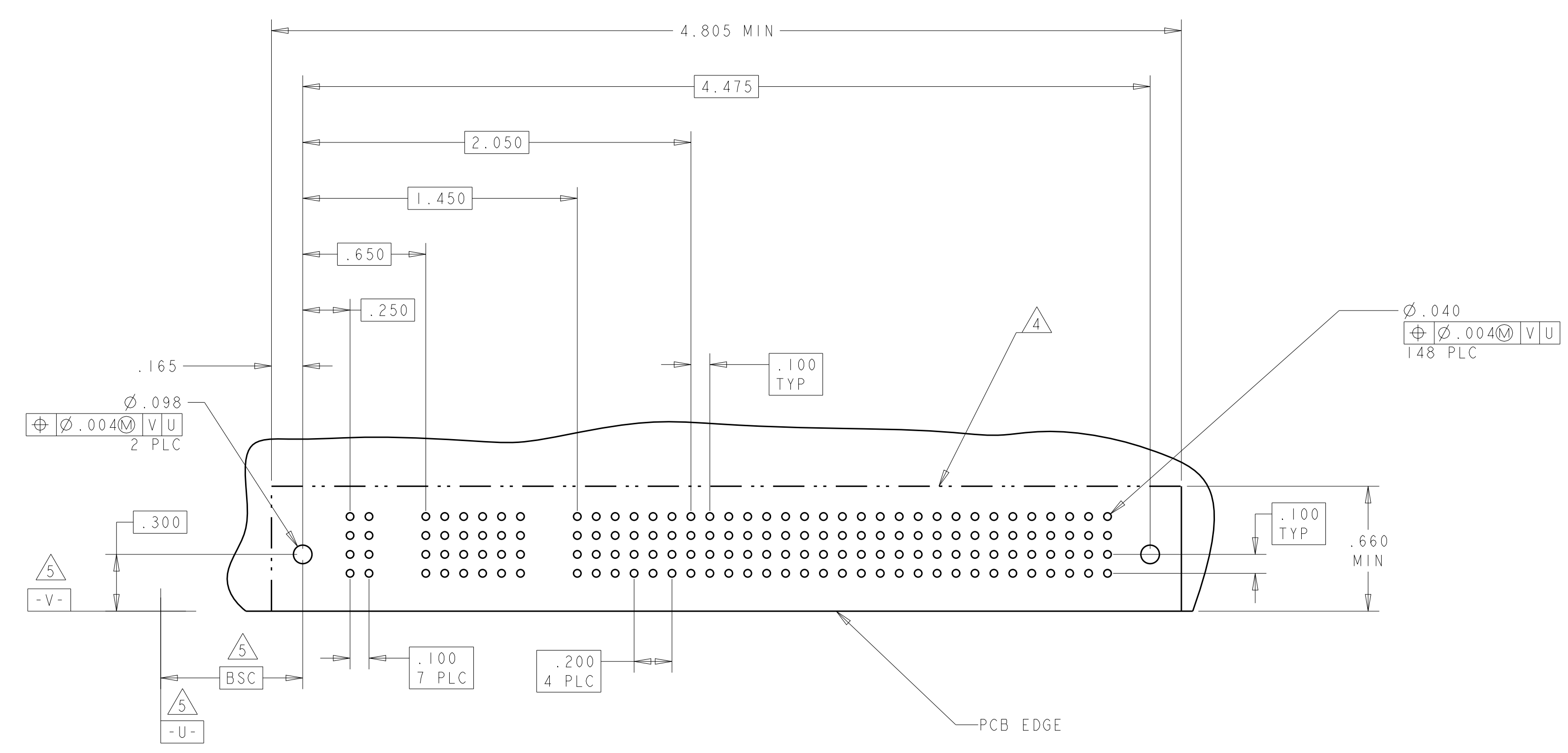
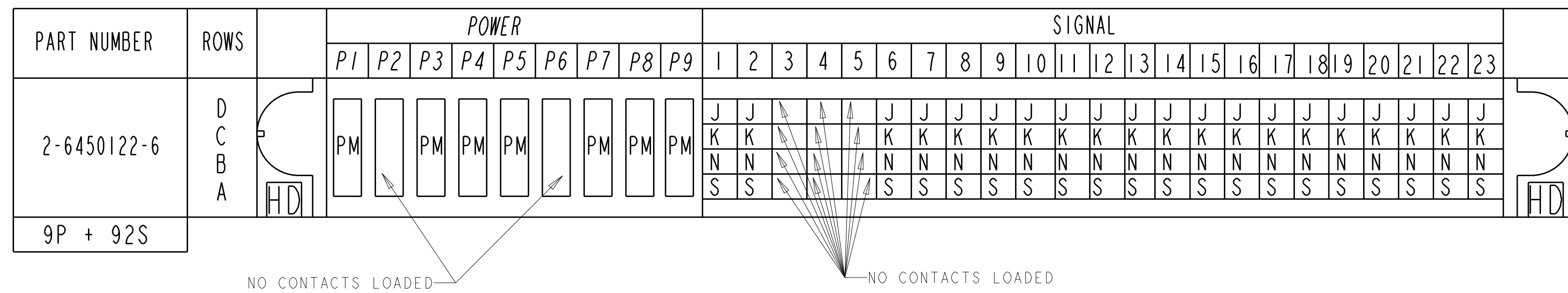


PART NUMBER	ROWS	POWER								SIGNAL					
		P1	P2	P3	P4	P5	P6	P7	P8	1	2	3	4	5	6
2-6450122-5	D C B A	PM	PM	PM	PM	PM	PM	PM	PM	J	J	J	J	J	J
										K	K	K	K	K	K
										N	N	N	N	N	N
8P + 24S	HD	HD	HD	HD	HD	HD	HD	HD	HD	S	S	S	S	S	S

THIS DRAWING IS A CONTROLLED DOCUMENT. DWG: R. GRZYBOWSKI 02FEB05. CHK: M. PERCHERKE 02FEB05. NAME: RIGHT ANGLE HEADER ASSY W/GUIDES MULTI-BEAM XL. SCALE: 4:1. SHEET 7 OF 10. REV: E9.

DIMENSIONS: INCHES 	TOLERANCES UNLESS OTHERWISE SPECIFIED: 0 PLC ± 2 PLC ±.01 3 PLC ±.005 4 PLC ±.0020 ANGLES ±.020 FINISH #2	MATERIAL: FINISH:	CUSTOMER DRAWING
---------------------------	---	----------------------	------------------

LOC		DIST		REVISIONS			
P	LTN	DESCRIPTION	DATE	DMN	APVD		
-	-	SEE SHEET 1	-	-	-		

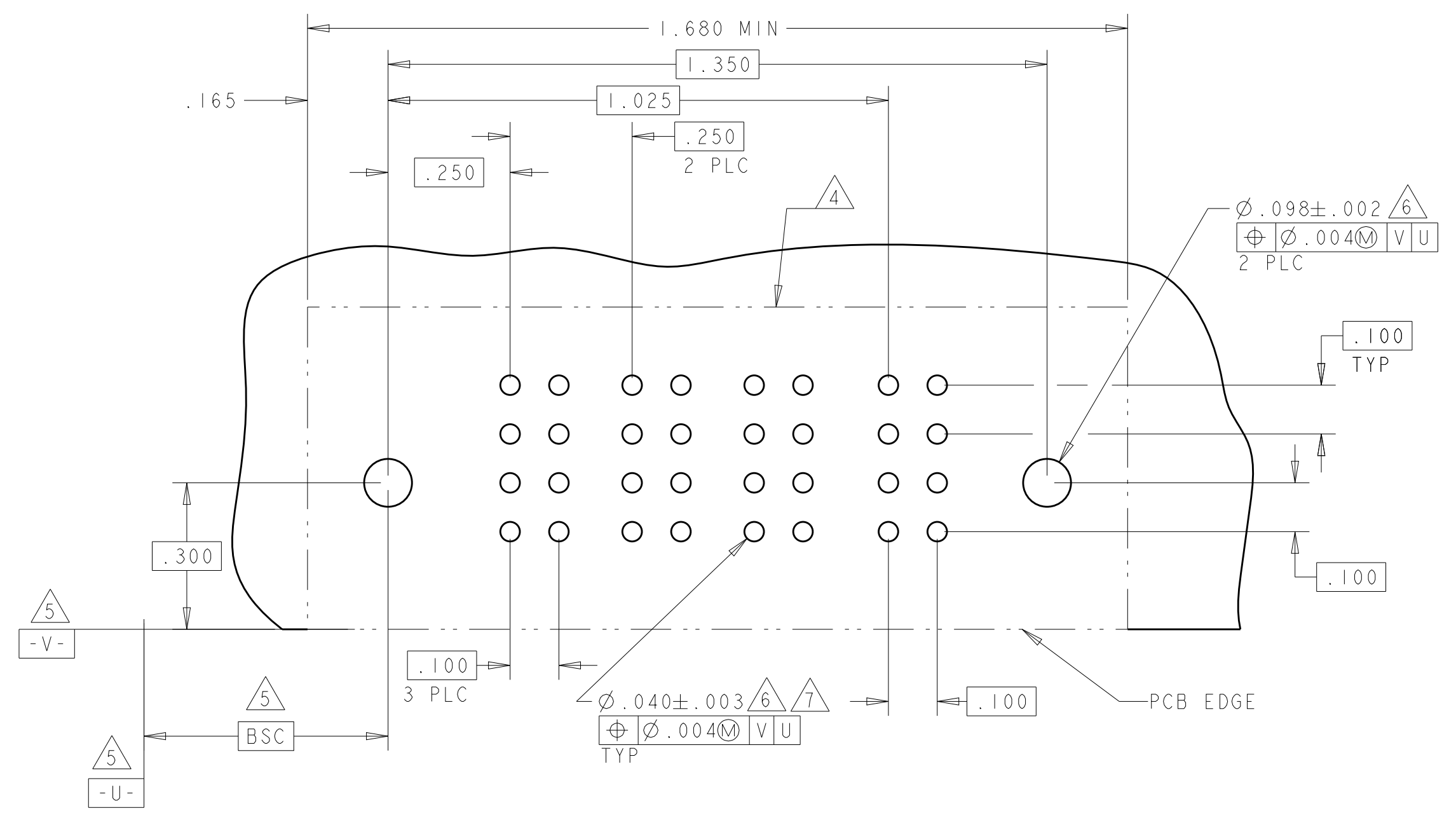
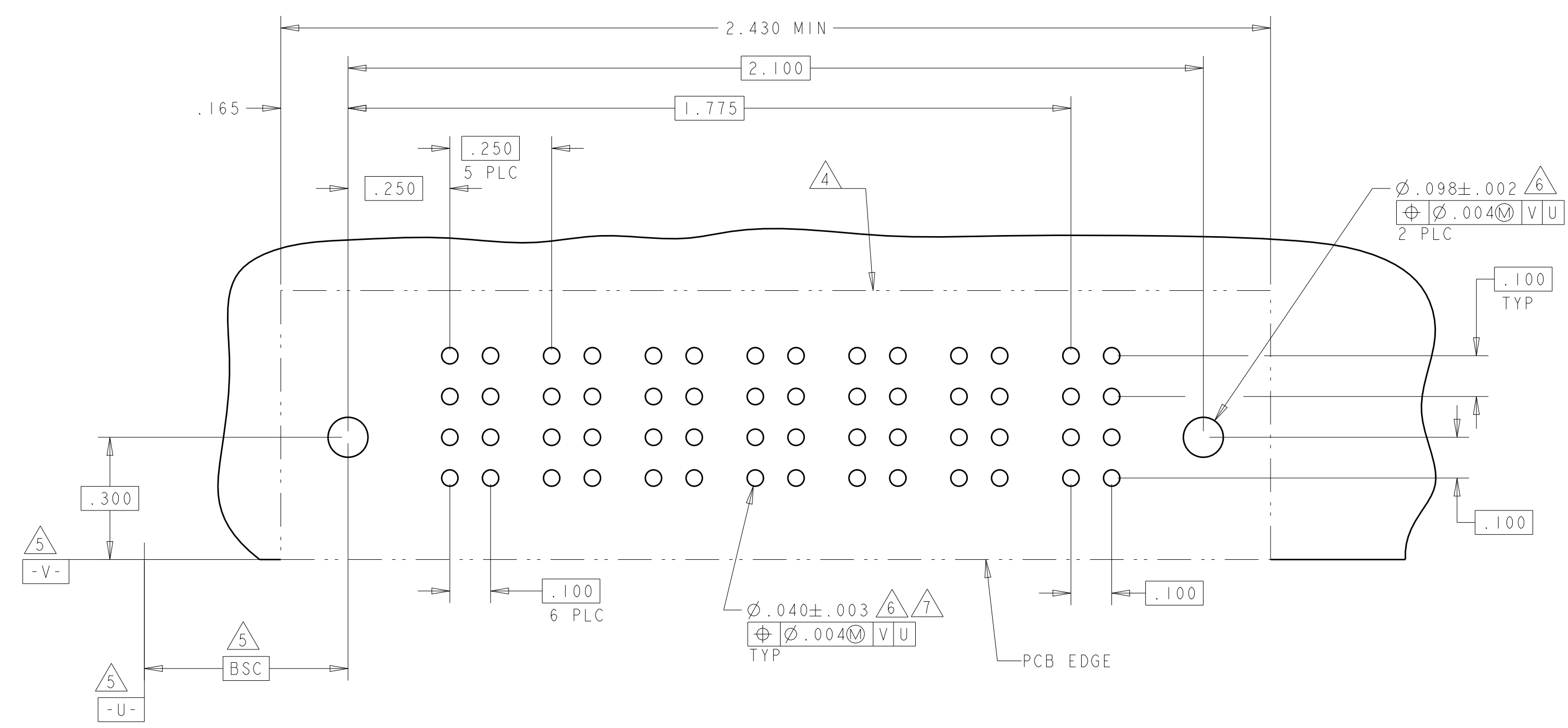


THIS DRAWING IS A CONTROLLED DOCUMENT.		DMN: R. GRZYBOWSKI 02FEB05	TE Connectivity
DIMENSIONS: INCHES		CHK: M. PERCHERKE 02FEB05	
TOLERANCES UNLESS OTHERWISE SPECIFIED: 0 PLC ±. 1 PLC ±.01 2 PLC ±.01 3 PLC ±.005 4 PLC ±.0020 ANGLES ±.2		APVD: M. PERCHERKE	NAME: RIGHT ANGLE HEADER ASSY W/GUIDES MULTI-BEAM XL
MATERIAL: -		FINISH: -	PRODUCT SPEC: 108-1973
SCALE: 4:1		WEIGHT: -	APPLICATION SPEC: 114-13038
SHEET 8 OF 10		RESTRICTED TO: -	SIZE: A1
CUSTOMER DRAWING		SCALE: 4:1	CAGE CODE: 6450122
REV: E9		DATE: -	

LOC		DIST		REVISONS			
GP	00	P	LTN	DESCRIPTION	DATE	DWN	APVD
				SEE SHEET 1			

PART NUMBER	ROWS		POWER						SIGNAL		
			P1	P2	P3	P4	P5	P6	1	2	
2-6450122-7	D C B A	HD	PM	PM	PM	PM	PM	PM	J K N S	J K N S	HD
6P + 8S											

PART NUMBER	ROWS		POWER			SIGNAL		
			P1	P2	P3	1	2	
2-6450122-8	D C B A	HD	PM	PM	PM	J K N S	J K N S	HD
3P + 8S								



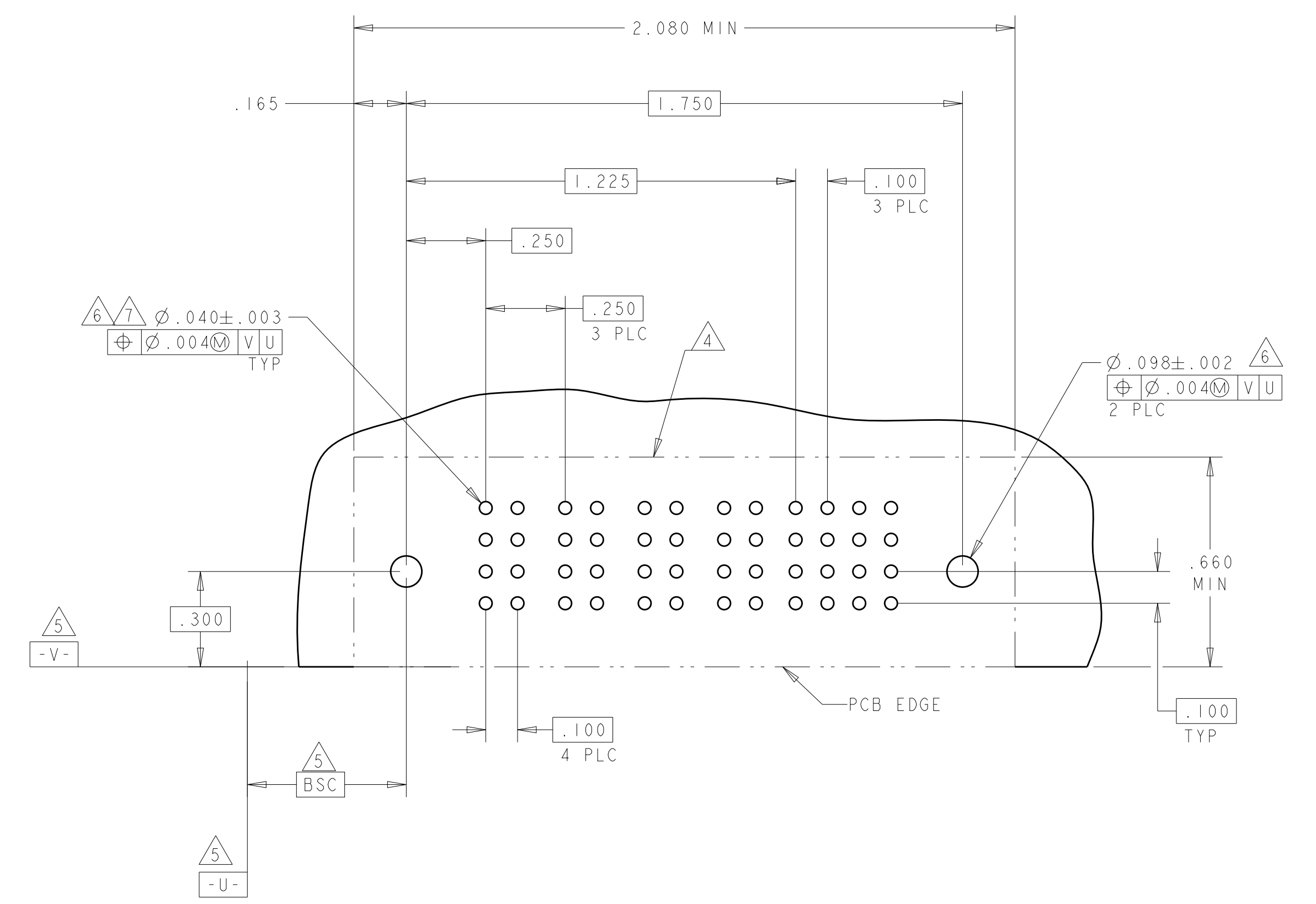
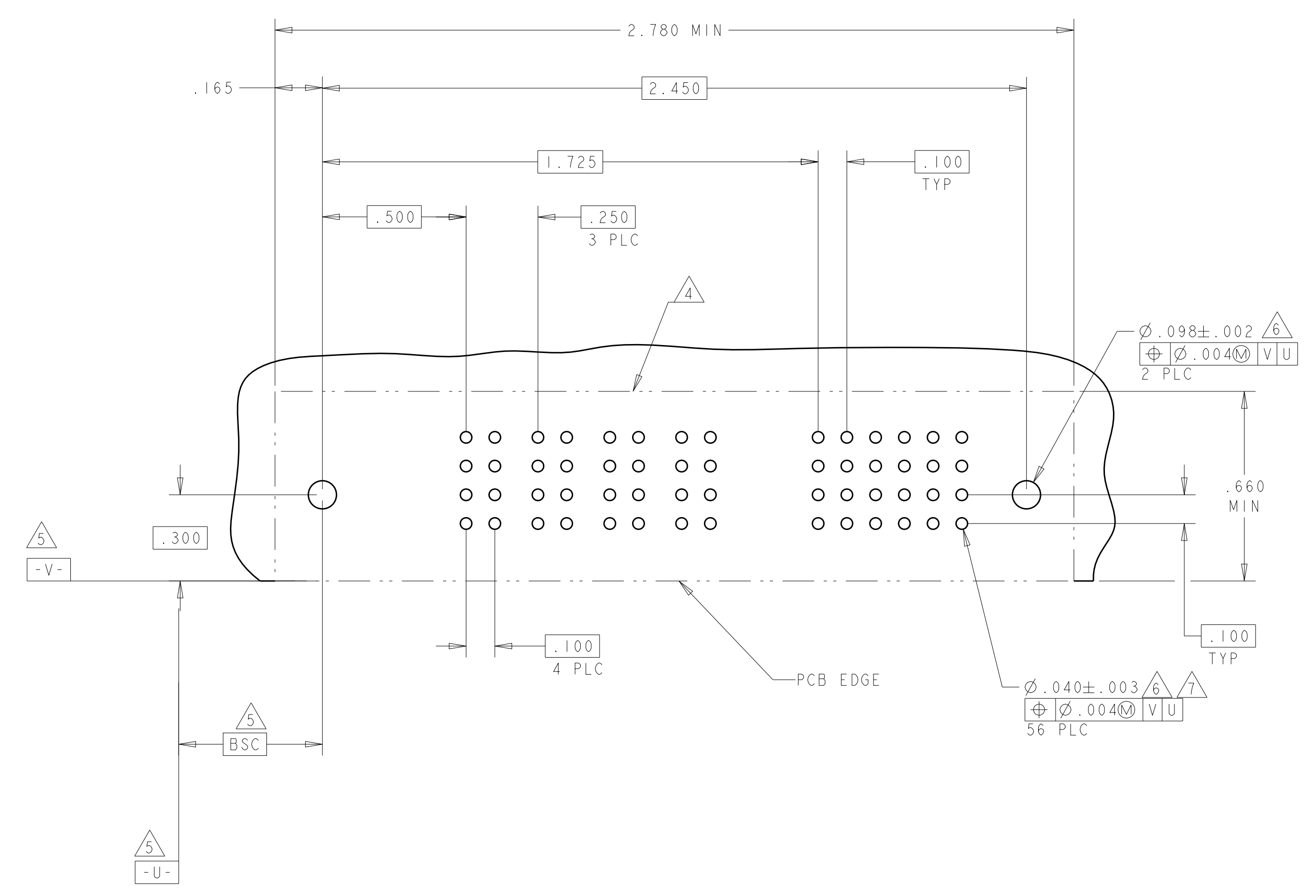
THIS DRAWING IS A CONTROLLED DOCUMENT.		DWN: R. GRZYBOWSKI 02FEB05	TE Connectivity
DIMENSIONS: INCHES		CHK: M. PERCHERKE 02FEB05	
TOLERANCES UNLESS OTHERWISE SPECIFIED:		APVD: M. PERCHERKE	NAME: RIGHT ANGLE HEADER ASSY W/GUIDES MULTI-BEAM XL
0 PLC ±.01	1 PLC ±.01	PRODUCT SPEC	SIZE: CAGE CODE DRAWING NO
2 PLC ±.01	3 PLC ±.005	APPLICATION SPEC	RESTRICTED TO
4 PLC ±.0020	ANGLES ±.2	114-13038	A100779C=6450122
MATERIAL:	FINISH:	WEIGHT:	CUSTOMER DRAWING
		SCALE: 4:1	SHEET 9 OF 10 REV: E9

LOC	DIST	REV	DATE	BY	APPV
GP	00				
REVISIONS					
DESCRIPTION					
SEE SHEET 1					

PART NUMBER	ROWS	POWER						SIGNAL					
		P1	P2	P3	P4	P5	P6	1	2	3	4	5	6
2-6450122-9	D							J	J	J	J	J	J
	C							K	K	K	K	K	K
	B							N	N	N	N	N	N
A							S	S	S	S	S	S	
6P + 24S													

NO CONTACTS LOADED

PART NUMBER	ROWS	SIGNAL							
		P1	P2	P3	P4	1	2	3	4
3-6450122-0	D					J	J	J	J
	C					K	K	K	K
	B					N	N	N	N
A					S	S	S	S	
4P + 16S									



THIS DRAWING IS A CONTROLLED DOCUMENT.		OWN: R. GRZYBOWSKI 02FEB05	 TE Connectivity
DIMENSIONS: INCHES		CHK: M. PERCHERKE 02FEB05	
TOLERANCES UNLESS OTHERWISE SPECIFIED:		APVD: M. PERCHERKE	NAME: RIGHT ANGLE HEADER ASSY W/GUIDES MULTI-BEAM XL
0 PLC ± .01		PRODUCT SPEC: 108-1973	SIZE: A100779
1 PLC ± .01		APPLICATION SPEC: 114-13038	CAGE CODE: C=6450122
2 PLC ± .01		WEIGHT: -	RESTRICTED TO: -
3 PLC ± .005		CUSTOMER DRAWING	SCALE: 4:1
4 PLC ± .002			SHEET 10 OF 10
ANGLES ± .2			REV: E9

Компания «Океан Электроники» предлагает заключение долгосрочных отношений при поставках импортных электронных компонентов на взаимовыгодных условиях!

Наши преимущества:

- Поставка оригинальных импортных электронных компонентов напрямую с производств Америки, Европы и Азии, а так же с крупнейших складов мира;
- Широкая линейка поставок активных и пассивных импортных электронных компонентов (более 30 млн. наименований);
- Поставка сложных, дефицитных, либо снятых с производства позиций;
- Оперативные сроки поставки под заказ (от 5 рабочих дней);
- Экспресс доставка в любую точку России;
- Помощь Конструкторского Отдела и консультации квалифицированных инженеров;
- Техническая поддержка проекта, помощь в подборе аналогов, поставка прототипов;
- Поставка электронных компонентов под контролем ВП;
- Система менеджмента качества сертифицирована по Международному стандарту ISO 9001;
- При необходимости вся продукция военного и аэрокосмического назначения проходит испытания и сертификацию в лаборатории (по согласованию с заказчиком);
- Поставка специализированных компонентов военного и аэрокосмического уровня качества (Xilinx, Altera, Analog Devices, Intersil, Interpoint, Microsemi, Actel, Aeroflex, Peregrine, VPT, Syfer, Eurofarad, Texas Instruments, MS Kennedy, Miteq, Cobham, E2V, MA-COM, Hittite, Mini-Circuits, General Dynamics и др.);

Компания «Океан Электроники» является официальным дистрибьютором и эксклюзивным представителем в России одного из крупнейших производителей разъемов военного и аэрокосмического назначения «JONHON», а так же официальным дистрибьютором и эксклюзивным представителем в России производителя высокотехнологичных и надежных решений для передачи СВЧ сигналов «FORSTAR».



JONHON

«JONHON» (основан в 1970 г.)

Разъемы специального, военного и аэрокосмического назначения:

(Применяются в военной, авиационной, аэрокосмической, морской, железнодорожной, горно- и нефтедобывающей отраслях промышленности)

«FORSTAR» (основан в 1998 г.)

ВЧ соединители, коаксиальные кабели, кабельные сборки и микроволновые компоненты:

(Применяются в телекоммуникациях гражданского и специального назначения, в средствах связи, РЛС, а так же военной, авиационной и аэрокосмической отраслях промышленности).



Телефон: 8 (812) 309-75-97 (многоканальный)

Факс: 8 (812) 320-03-32

Электронная почта: ocean@oceanchips.ru

Web: <http://oceanchips.ru/>

Адрес: 198099, г. Санкт-Петербург, ул. Калинина, д. 2, корп. 4, лит. А