

APPROVAL SHEET

RFDSB Series – 1210(0504)- RoHS Compliance

**MULTILAYER CERAMIC DIFFERENTIAL SIGNAL
BALANCER**

P/N: RFDSB121013RU0T

*Contents in this sheet are subject to change without prior notice.

Approval sheet

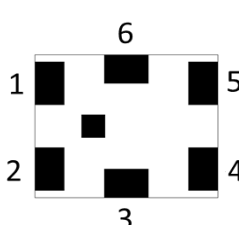
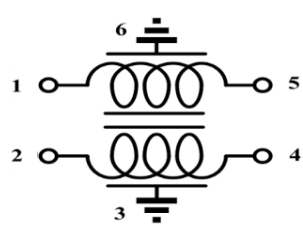
FEATURES

- Miniature footprint: 1.25 X 1.00 X 0.83 mm³, Non-Magnetic LTCC product applying delay line technology
- Novel common mode removal by combination of absorption and time domain dispersing reflection.
- High attenuation for common mode noise over wide frequency range
- Low insertion loss and strong balance capability for high-speed differential signal.

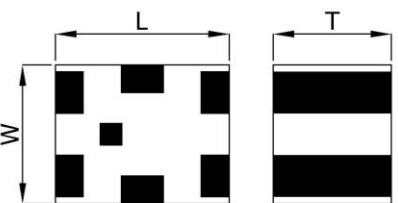

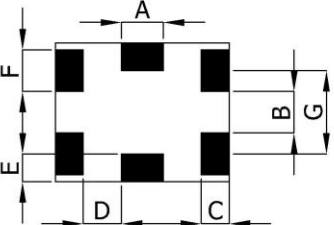
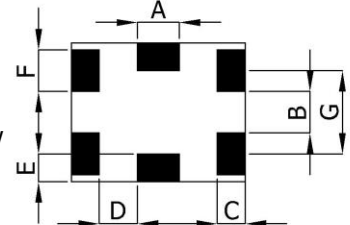
APPLICATIONS

1. USB 3.1 GEN.2, Type C (10 Gb/s)
2. PCI Express Gen.4 (16 Gb/s)

CONSTRUCTION

Figure	PIN	Connection
<p>Top view</p>  	1	IN/OUT
	2	IN/OUT
	3	GND
	4	OUT/ IN
	5	OUT/ IN
	6	GND

DIMENSIONS

Figure	Symbol	Dimension (mm)
<p>Top view</p>  <p>Side view</p>  <p>Side view</p>  <p>Bottom view</p> 	L	1.25 ± 0.10
	W	1.00 ± 0.10
	T	0.83 ± 0.10
	A	0.30 ± 0.10
	B	0.25 ± 0.10
	C	0.20 ± 0.10
	D	0.275 ± 0.10
	E	0.20 ± 0.10
	F	0.30 ± 0.10
G	0.55 ± 0.10	

Approval sheet

ELECTRICAL CHARACTERISTICS

Item	Specification
Frequency Range	DC~12,000 MHz
Differential mode	Sdd21 -1.0 dB or more @ 5,000 MHz Sdd21 -2.0 dB or more @ 8,000 MHz
Common mode	Sc21 -15.0 dB or less @ 2,400 MHz
Insulation resistance	100 MΩ min. (DC 50 V)
DC resistance	2Ω max. pin1-pin5 and pin2-pin4
Delay time	130 ps typ.
Impedance	95±10 Ω
Temperature coefficient	Delay time : +200 ppm typ.
Moisture sensitivity levels	MSL is LEVEL 1 (Refer to : IPC/JEDEC J-STD-020)

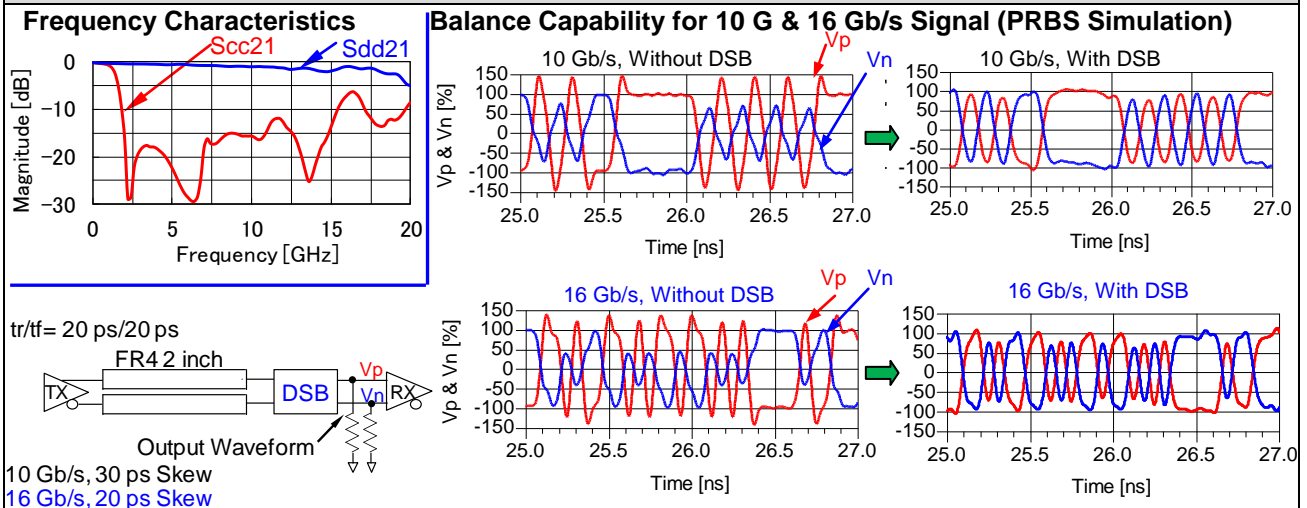
Operating & Storage Condition (Component)

Operation Temperature Range: -40 ~ +85 °C
Storage Temperature Range: -40 ~ +85 °C

Storage Condition before Soldering (Included packaging material)

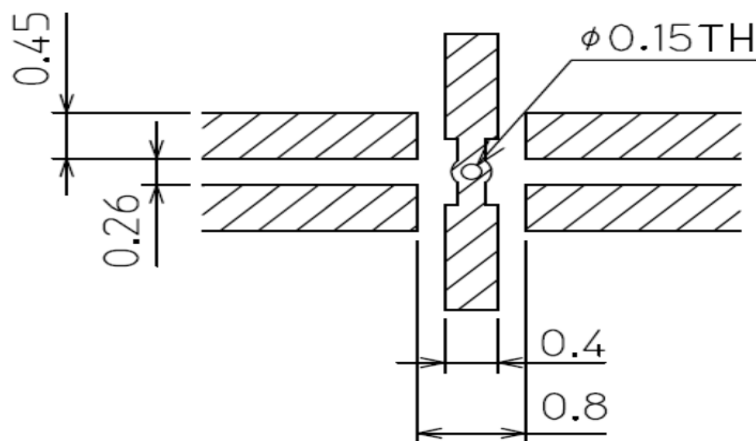
Storage Temperature Range: +5 ~ +40 °C
Humidity: 30 to 70% relative humidity

TYPICAL ELECTRICAL PERFORMANCE



SOLDER LAND PATTERN

Figure



Unit : mm

Mechanical Test

Test item	Test condition / Test method	Specification										
Solderability Ref. JIS C 0050-4.6	*Ethanol solution of rosin, 25(wt)% *Pre-Heating : 150°C, 60sec *Solder bath temperature : 245 ± 3°C *Immersion time : 3 ± 1 sec *Solder : Sn3Ag0.5Cu for lead-free	At least 95% of a surface of each terminal electrode must be covered by fresh solder.										
Resistance to soldering heat Ref. JIS C 0050-5.4	*Ethanol solution of rosin, 25(wt)% *Preheating temperature : 150°C. 60sec *Solder temperature : 270±5°C *Immersion time : 10±1 sec *Solder : Sn3Ag0.5Cu for lead-free Measurement to be made after keeping at room temperature for 4 to 48 hrs	Meet Table 1. Table 1 <table border="1"> <tr> <td>Appearance</td> <td>No damaged</td> </tr> <tr> <td>Differential mode</td> <td>Electrical specification shall satisfy the descriptions in electrical characteristics</td> </tr> <tr> <td>Common mode</td> <td>Electrical specification shall satisfy the descriptions in electrical characteristics.</td> </tr> <tr> <td>I.R.</td> <td>100MΩ min.</td> </tr> <tr> <td>DC Resistance Change</td> <td>2Ω max. pin1-pin5 and pin2-pin4</td> </tr> </table>	Appearance	No damaged	Differential mode	Electrical specification shall satisfy the descriptions in electrical characteristics	Common mode	Electrical specification shall satisfy the descriptions in electrical characteristics.	I.R.	100MΩ min.	DC Resistance Change	2Ω max. pin1-pin5 and pin2-pin4
Appearance	No damaged											
Differential mode	Electrical specification shall satisfy the descriptions in electrical characteristics											
Common mode	Electrical specification shall satisfy the descriptions in electrical characteristics.											
I.R.	100MΩ min.											
DC Resistance Change	2Ω max. pin1-pin5 and pin2-pin4											
Drop Ref. JIS C 0044	*Height : 1m *Test Surface : Rigid surface of concrete or steel. *The number of times : 3 times											
Vibration Ref. JIS C 0040	*Frequency : 10Hz~55Hz~10Hz(1min) *Total amplitude : 1.5mm *Test time : A period of 2 hours in each of 3 mutually perpendicular directions.											
Bending Strength Ref. JIS C 0051- 7.4.1	The middle part of substrate shall be pressurized by means of the pressurizing rod at a rate of about 0.5 mm/s per second until the deflection becomes 1mm and then pressure shall be maintained for 30 sec.	Meet Table 2. Table 2 <table border="1"> <tr> <td>Appearance</td> <td>No damaged</td> </tr> <tr> <td>DC Resistance Change</td> <td>2Ω max. pin1-pin5 and pin2-pin4</td> </tr> </table>	Appearance	No damaged	DC Resistance Change	2Ω max. pin1-pin5 and pin2-pin4						
Appearance	No damaged											
DC Resistance Change	2Ω max. pin1-pin5 and pin2-pin4											
Adhesive Strength of Termination JIS C 0051- 7.4.3	*Pressurizing force : 5N(≤0603) : 10N(>0603) *Test time : 10±1 sec	No remarkable damage or removal of the termination.										

Approval sheet
Environmental Performance

Test item	Test condition / Test method	Specification
Temperature cycle Ref. JIS C 0025	<ol style="list-style-type: none"> 1. 30(+3,-0) min at -40°C(+0°C,-3°C) 2. within 3 minutes at ordinary temp. 3. 30(+3,-0) minutes at +85°C(+3°C,-0°C) 4. within 3 minutes at ordinary temp. Total 100 cycles Measurement to be made after keeping at room temperature for 4 to 48 hours	Meet Table 1.
Humidity Ref. JIS C 0022	*Humidity : 90% to 95% R.H. *Temperature : 40±2°C *Time : 1000hrs (+48/-0 hrs.) Measurement to be made after keeping at room temperature for 4 to 48 hours	
Heat life Ref. JIS C5101-10 4.15	*Temperature : 85°C±2°C *Test Voltage : 5V *Time : 1000hrs (+48/-0 hrs.) Measurement to be made after keeping at room temperature for 4 to 48 hours	
Cold Resistance Ref. JIS C 0020	*Temperature : -40°C±2°C *Time : 1000hrs (+48/-0 hrs.) Measurement to be made after keeping at room temperature for 4 to 48 hours	

Approval sheet

SOLDERING CONDITION

Typical examples of soldering processes that provide reliable joints without any damage are given in Fig 2,

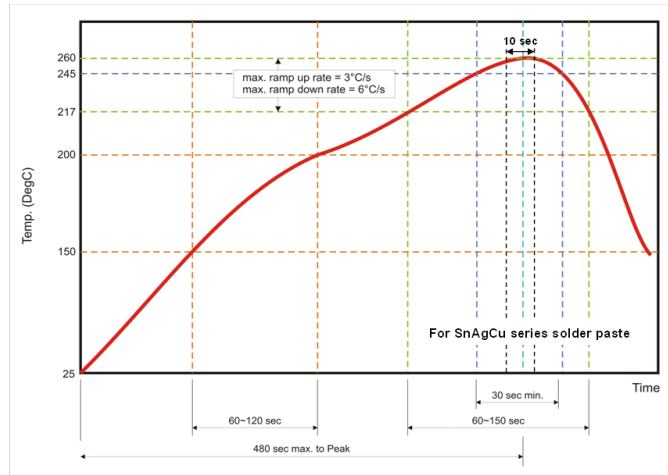


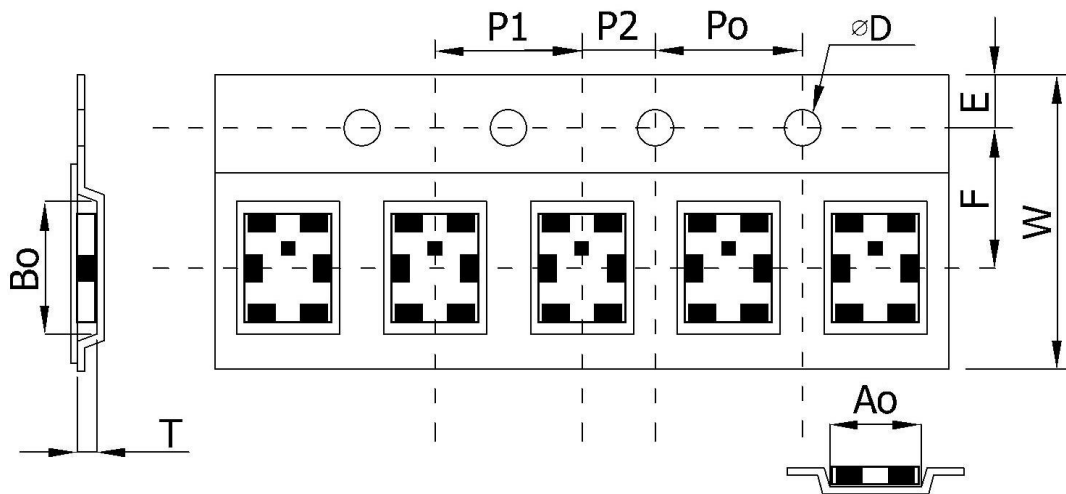
Fig 2. Infrared soldering profile

ORDERING CODE

RF Walsin RF device	DSB Product Code DSB: Differential Signal Balancer	1210 Dimension code Per 2 digits of Length, Width. e.g. : 1210= Length 12 mm, Width 10 mm,	13R Delay time 130 ps	U Application USB 3.1	0 Specification Design Code	T Packing T : Reeled
----------------------------------	-----------------------------------------------------------------------	------------------------------------------------------------------------------------------------------------------------	------------------------------------	------------------------------------	------------------------------------------	-----------------------------------

Minimum Ordering Quantity: 2000 pcs per reel.

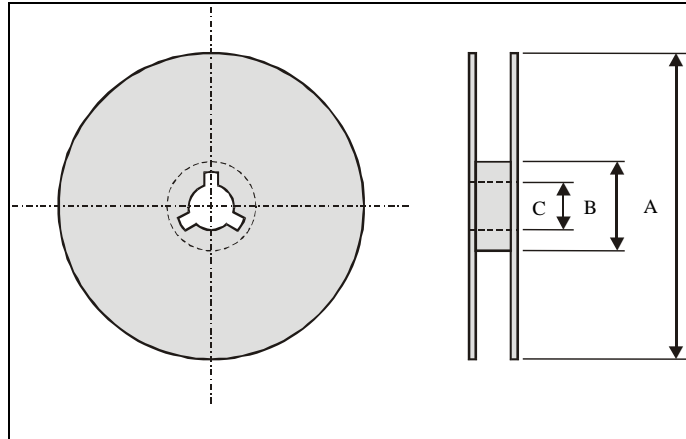
PACKAGING



Plastic Tape specifications (unit :mm)

Index	A ₀	B ₀	ΦD	T	W
Dimension(mm)	1.20±0.10	1.40±0.10	1.50±0.10	0.90±0.10	8.00±0.10
Index	E	F	P ₀	P ₁	P ₂
Dimension(mm)	1.75±0.10	3.50±0.05	4.00±0.10	4.00±0.10	2.00±0.05

Reel dimensions



Index	A	B	C
Dimension (mm)	Φ178.0	Φ60.0	Φ13.0

Taping Quantity:2000 pieces per 7" reel

CAUTION OF HANDLING

Limitation of Applications

Please contact us before using our products for the applications listed below which require especially high reliability for the prevention of defects, which might directly cause damage to the third party's life, body or property.

- (1) Aircraft equipment
- (2) Aerospace equipment
- (3) Undersea equipment
- (4) Medical equipment
- (5) Disaster prevention / crime prevention equipment
- (6) Traffic signal equipment
- (7) Transportation equipment (vehicles, trains, ships, etc.)
- (8) Applications of similar complexity and /or reliability requirements to the applications listed in the above.

Storage condition

- (1) Products should be used in 6 months from the day of WALSIN outgoing inspection.
- (2) Storage environment condition.
 - Products should be storage in the warehouse on the following conditions.
 - Temperature : +5 to +40°C
 - Humidity : 30 to 70% relative humidity
 - Don't keep products in corrosive gases such as sulfur. Chlorine gas or acid or it may cause oxidization of electrode, resulting in poor solderability.
 - Products should be storage on the palette for the prevention of the influence from humidity, dust and son on.
 - Products should be storage in the warehouse without heat shock, vibration, direct sunlight and so on.
 - Products should be storage under the airtight packaged condition.
 -

Компания «Океан Электроники» предлагает заключение долгосрочных отношений при поставках импортных электронных компонентов на взаимовыгодных условиях!

Наши преимущества:

- Поставка оригинальных импортных электронных компонентов напрямую с производств Америки, Европы и Азии, а так же с крупнейших складов мира;
- Широкая линейка поставок активных и пассивных импортных электронных компонентов (более 30 млн. наименований);
- Поставка сложных, дефицитных, либо снятых с производства позиций;
- Оперативные сроки поставки под заказ (от 5 рабочих дней);
- Экспресс доставка в любую точку России;
- Помощь Конструкторского Отдела и консультации квалифицированных инженеров;
- Техническая поддержка проекта, помощь в подборе аналогов, поставка прототипов;
- Поставка электронных компонентов под контролем ВП;
- Система менеджмента качества сертифицирована по Международному стандарту ISO 9001;
- При необходимости вся продукция военного и аэрокосмического назначения проходит испытания и сертификацию в лаборатории (по согласованию с заказчиком);
- Поставка специализированных компонентов военного и аэрокосмического уровня качества (Xilinx, Altera, Analog Devices, Intersil, Interpoint, Microsemi, Actel, Aeroflex, Peregrine, VPT, Syfer, Eurofarad, Texas Instruments, MS Kennedy, Miteq, Cobham, E2V, MA-COM, Hittite, Mini-Circuits, General Dynamics и др.);

Компания «Океан Электроники» является официальным дистрибьютором и эксклюзивным представителем в России одного из крупнейших производителей разъемов военного и аэрокосмического назначения «JONHON», а так же официальным дистрибьютором и эксклюзивным представителем в России производителя высокотехнологичных и надежных решений для передачи СВЧ сигналов «FORSTAR».



JONHON

«JONHON» (основан в 1970 г.)

Разъемы специального, военного и аэрокосмического назначения:

(Применяются в военной, авиационной, аэрокосмической, морской, железнодорожной, горно- и нефтедобывающей отраслях промышленности)

«FORSTAR» (основан в 1998 г.)

ВЧ соединители, коаксиальные кабели,
кабельные сборки и микроволновые компоненты:

(Применяются в телекоммуникациях гражданского и специального назначения, в средствах связи, РЛС, а так же военной, авиационной и аэрокосмической отраслях промышленности).



Телефон: 8 (812) 309-75-97 (многоканальный)

Факс: 8 (812) 320-03-32

Электронная почта: ocean@oceanchips.ru

Web: <http://oceanchips.ru/>

Адрес: 198099, г. Санкт-Петербург, ул. Калинина, д. 2, корп. 4, лит. А