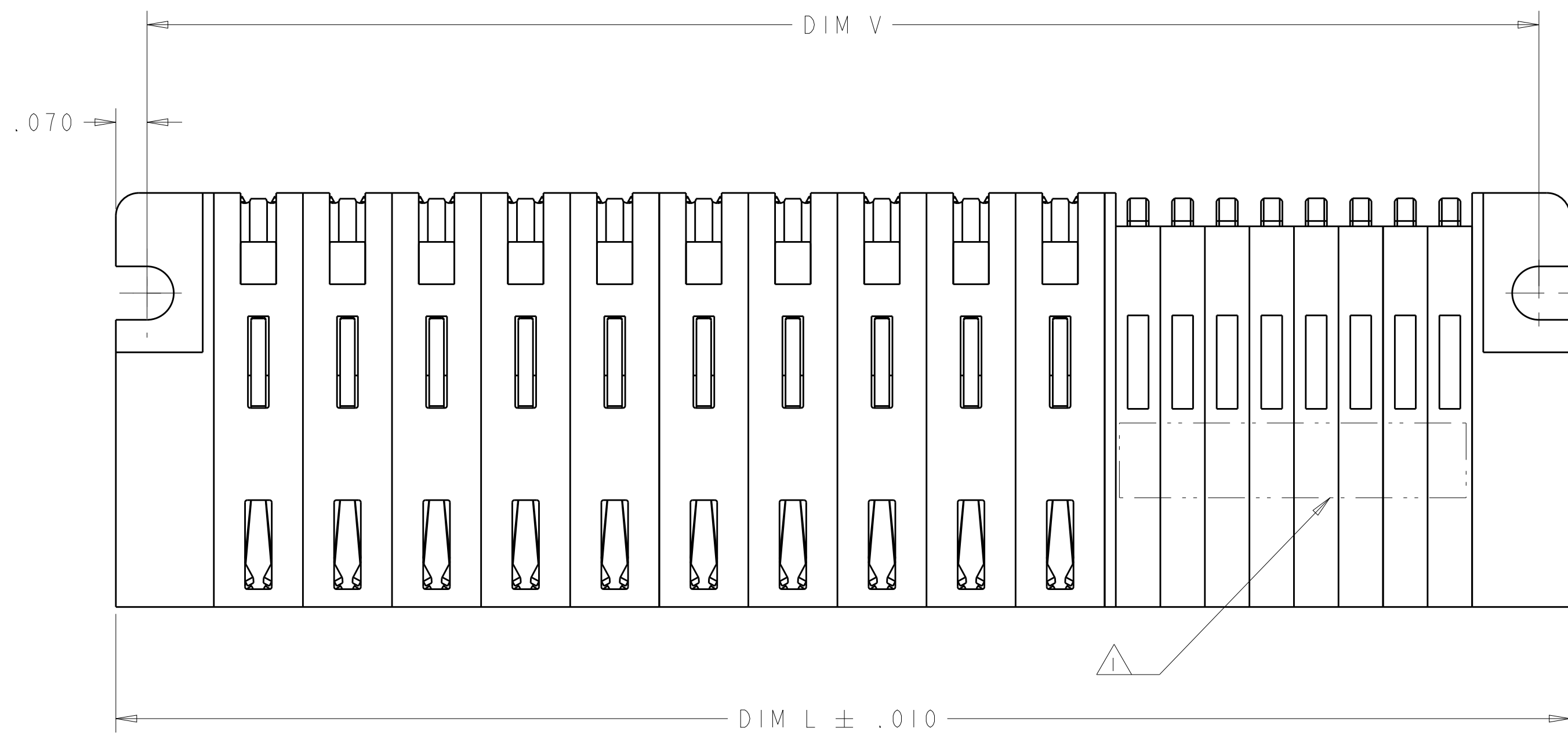
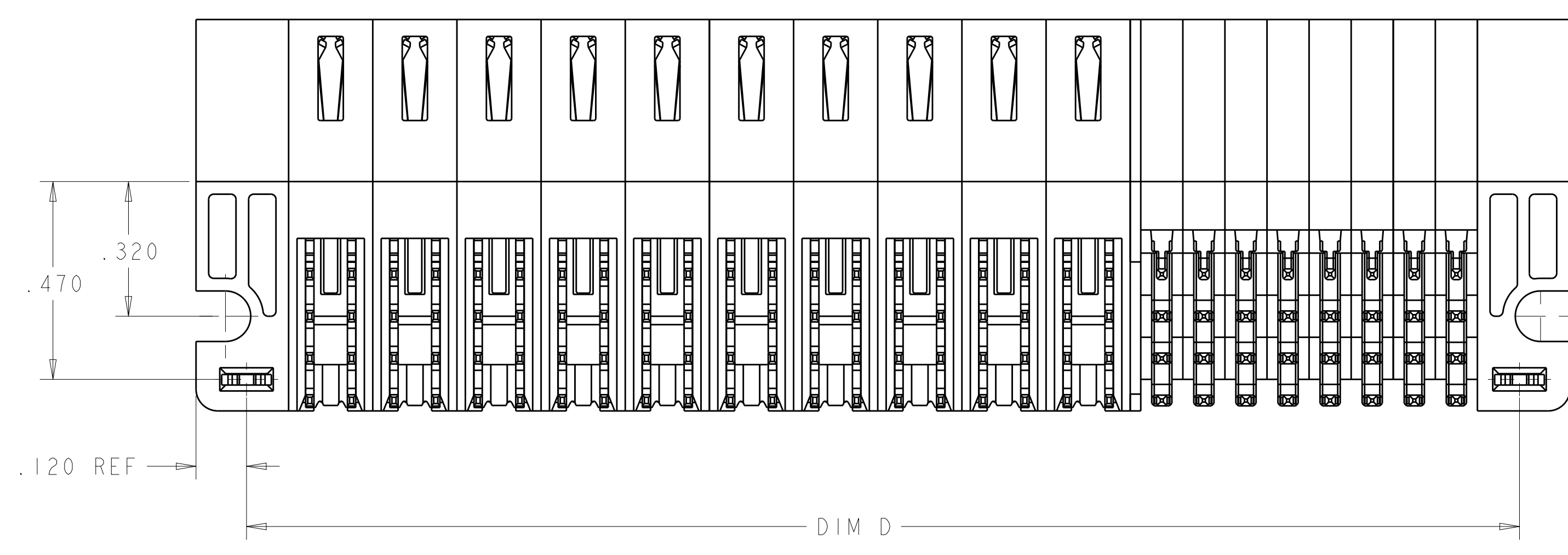
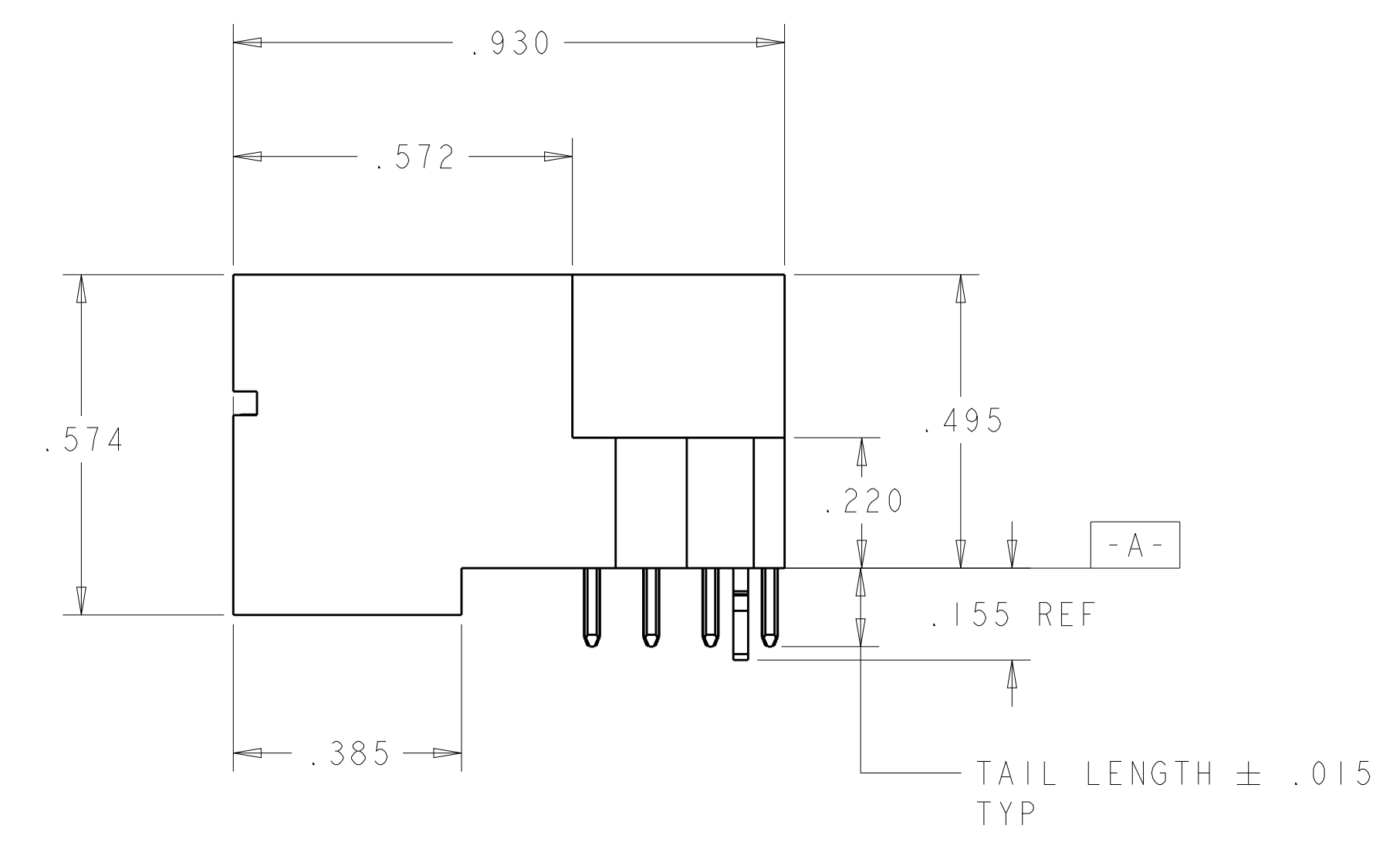
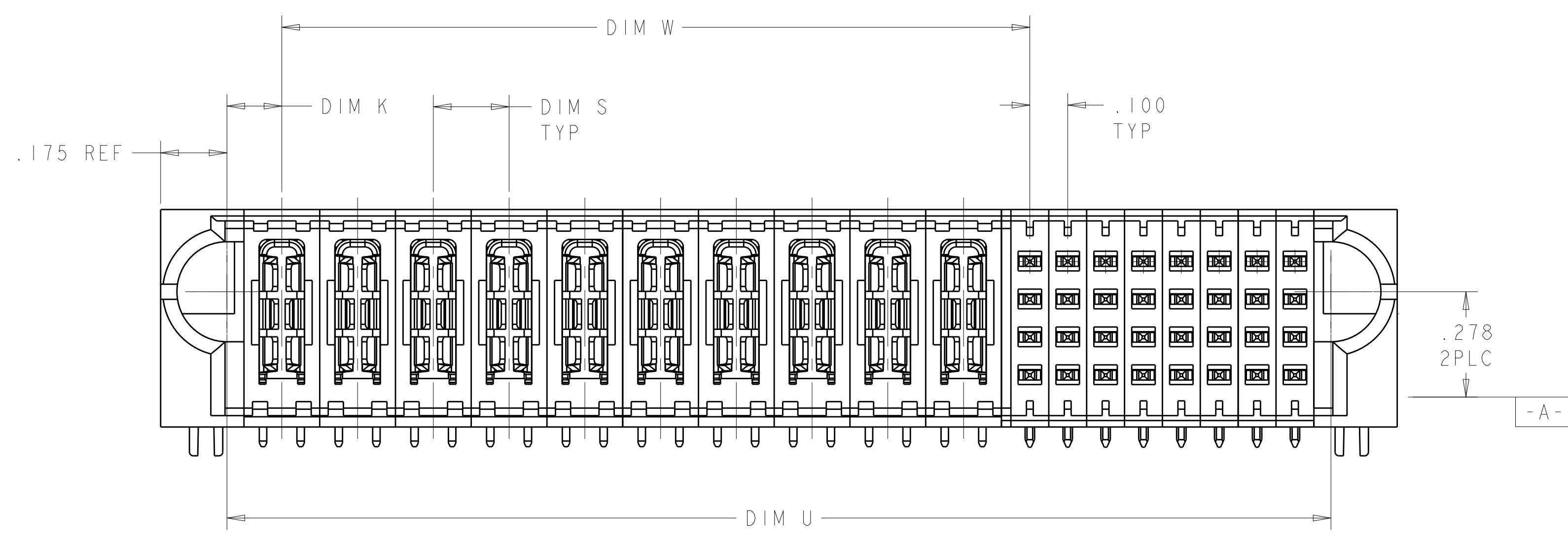


LOC	DIST	REVISIONS					
		P	LTN	DESCRIPTION	DATE	DWN	APVD
ES	00	K4		REVISED 4-7 BY CUSTOMER	18MAY2015	CZ	SZ
		K5		REVISED 4-7 SIGNAL PINS BY CUSTOMER	09JUN2015	CZ	SZ
		K6		REV PER ECO-17-001490	12DEC2016	CZ	SZ



- 1 "AMP", PART NUMBER AND DATE CODE TO BE MARKED IN AREA SHOWN PARTS UNDER 2.00" LONG MAY BE MARKED ON BOTH SIDES
- 2 MATERIAL:
HOUSING - GLASS FILLED HIGH TEMP THERMO PLASTIC, UL94 V-0
SIGNAL CONTACT - COPPER ALLOY
POWER CONTACT - HIGH CONDUCTIVITY COPPER ALLOY
- 3 CONTACT PLATING: NOBLE METAL PLATING ON CONTACT FUNCTIONAL AREA OF SIGNAL CONTACTS AND POWER CONTACTS.
- 4 MECHANICAL CONNECTOR KEEP OUT ZONE
- 5 DATUM AND BASIC DIMENSIONS ESTABLISHED BY CUSTOMER
- 6 PCB - ALL HOLE DIAMETERS ARE FINISHED HOLE SIZES
- 7 PCB - 0.0453 ± .0010 DRILLED HOLES PLATED WITH .0003 MIN Sn OVER .001 TO .003 Cu PLATING TO ACHIEVE A .040 ± .030 HOLE
- 8 FOR CONFIGURATION "L/P", "P/LP/S", PLEASE REFER TO SHEET 3.
- 9 VARIABLE DIMENSIONS PLEASE SEE PART TABLE.



THIS DRAWING IS A CONTROLLED DOCUMENT.		DWN H. LIU CHK S. ZHAO APVD S. ZHAO	27MAY2008 27MAY2008	STE TE Connectivity
DIMENSIONS: INCHES		TOLERANCES UNLESS OTHERWISE SPECIFIED: 0 PLC ±. 2 PLC ±.01 3 PLC ±.005 4 PLC ±.0020 ANGLES ±.7°		
MATERIAL		FINISH		NAME R/A HEADER WITH SHORT GUIDES AND LP CONTACTS ASSEMBLY MULTI-BEAM XLE
CUSTOMER DRAWING		SCALE 2:1		RESTRICTED TO SHEET 1 OF 24 REV K6

LOC		DIST		REVISIONS			
P	LTN	DESCRIPTION		DATE	OWN	APVD	
-	-	SEE SHEET 1		-	-	-	

△9	4.640	4.500	4.290	4.400	2.550	.145	5P + 2HDP + 4P + 64S	5-6450832-9
△9	5.290	5.150	4.940	5.050	4.050	.195	15P + 28S	4-6450832-7
.200	2.965	2.825	2.615	2.725	1.975	.145	10HDP + 20S	4-6450832-6
△9	2.090	1.950	1.740	1.850	1.000	.145	5HDP + 24S	4-6450832-5
.200	1.990	1.850	1.640	1.750	.975	.170	5HDP + 20S	4-6450832-4
△9	3.790	3.650	3.440	3.550	2.625	.170	12P + 24S	4-6450832-3
.250	3.240	3.100	2.890	3.000	1.925	.170	8P + 32S	4-6450832-2
.250	3.240	3.100	2.890	3.000	1.925	.170	8P + 32S	4-6450832-1
.350	1.565	1.325	1.215	1.425	.975	.145	3P + 4S	4-6450832-0
.250	3.040	2.900	2.690	2.800	1.925	.170	8HDP + 24S	3-6450832-9
△9	2.965	2.825	2.615	2.725	1.825	.195	3ACP + 4P + 24S	3-6450832-8
△9	5.290	5.150	4.940	5.050	4.050	.195	15P + 28S	3-6450832-6
.200	1.990	1.850	1.640	1.750	.975	.170	5HDP + 20S	3-6450832-5
.250	3.090	2.950	2.740	2.850	1.950	.170	8P + 24S	3-6450832-4
△9	4.640	4.500	4.290	4.400	2.550	.145	5P + 2HDP + 4P + 64S	3-6450832-3
.200	3.265	3.125	2.915	3.025	2.175	.145	11HDP + 24S	3-6450832-2
.115 △8	.945	.805	.595	.705	.2725 △8	.1025 △8	2LP + 8S	3-6450832-1
.375	2.240	2.100	1.890	2.000	1.500	.170	4ACP + 8S	3-6450832-0
.200	3.265	3.125	2.915	3.025	2.175	.145	11HDP + 24S	2-6450832-8
.200	3.065	2.925	2.715	2.825	1.975	.145	10HDP + 24S	2-6450832-7
.200	2.240	2.100	1.890	2.000	1.150	.145	6HDP + 24S	2-6450832-6
△8	2.420	2.280	2.070	2.180	1.330	.145	5P + 2LP + 24S	2-6450832-5
△8	3.065	2.925	2.715	2.825	1.525	.195	4P + 40S	2-6450832-4
△8	4.015	3.875	3.665	3.775	3.075	.195	3ACP + 9P + 16S	2-6450832-3
.250	2.415	2.275	2.065	2.175	1.425	.145	6P + 20S	2-6450832-2
△8	2.420	2.280	2.070	2.180	1.330	.145	5P + 2LP + 24S	2-6450832-0
.250	3.790	3.650	3.440	3.550	2.675	.170	11P + 24S	1-6450832-9
△8	3.740	3.600	3.390	3.500	2.625	.170	3ACP + 8P + 24S	1-6450832-7
△8	3.790	3.650	3.440	3.550	2.700	.145	13P + 24S	1-6450832-6
.250	1.490	1.350	1.140	1.250	.675	.170	3P + 12S	1-6450832-4
.250	1.565	1.425	1.215	1.325	.425	.170	2P + 24S	1-6450832-2
.250	3.790	3.650	3.440	3.550	2.900	.145	12P + 16S	1-6450832-0
△8	1.590	1.450	1.240	1.350	.650	.170	2P + 8S	6450832-9
.115 △8	.970	.830	.620	.730	.2725 △8	.1275 △8	2LP + 8S	6450832-8
△8	3.740	3.600	3.390	3.500	2.625	.170	3ACP + 8P + 24S	6450832-7
.200	3.065	2.925	2.715	2.825	1.975	.145	10HDP + 24S	6450832-5
.200	3.065	2.925	2.715	2.825	1.975	.145	10HDP + 24S	6450832-4
.250	2.565	2.425	2.215	2.325	1.425	.170	6P + 24S	6450832-3
△8	2.575	2.435	2.225	2.335	1.460 △8	.170 △8	4P + 4LP + 24S	6450832-2
.200	3.265	3.125	2.915	3.025	1.975	.145	10HDP + 32S	6450832-1
DIM S	DIM L	DIM V	DIM U	DIM D	DIM W	DIM K	DESCRIPTION	PART NUMBER

Ⓜ VIEW IN SHEET 6

THIS DRAWING IS A CONTROLLED DOCUMENT. DWN 27MAY2008
CHK H. LIU
S. ZHAO 27MAY2008

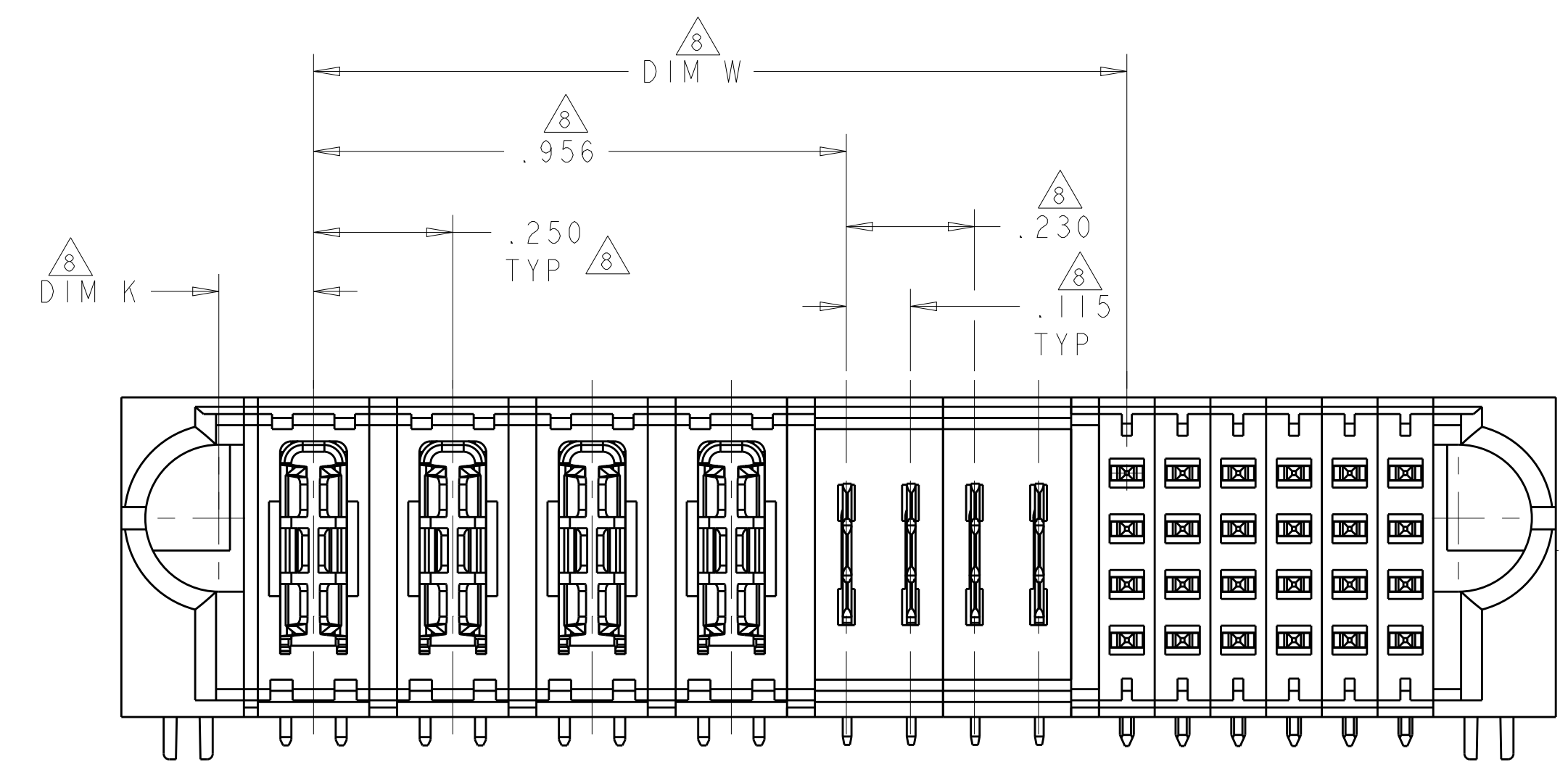
DIMENSIONS: INCHES TOLERANCES UNLESS OTHERWISE SPECIFIED:
0 PLC ±.
1 PLC ±.01
2 PLC ±.01
3 PLC ±.005
4 PLC ±.002
ANGLES ±.002

MATERIAL FINISH WEIGHT

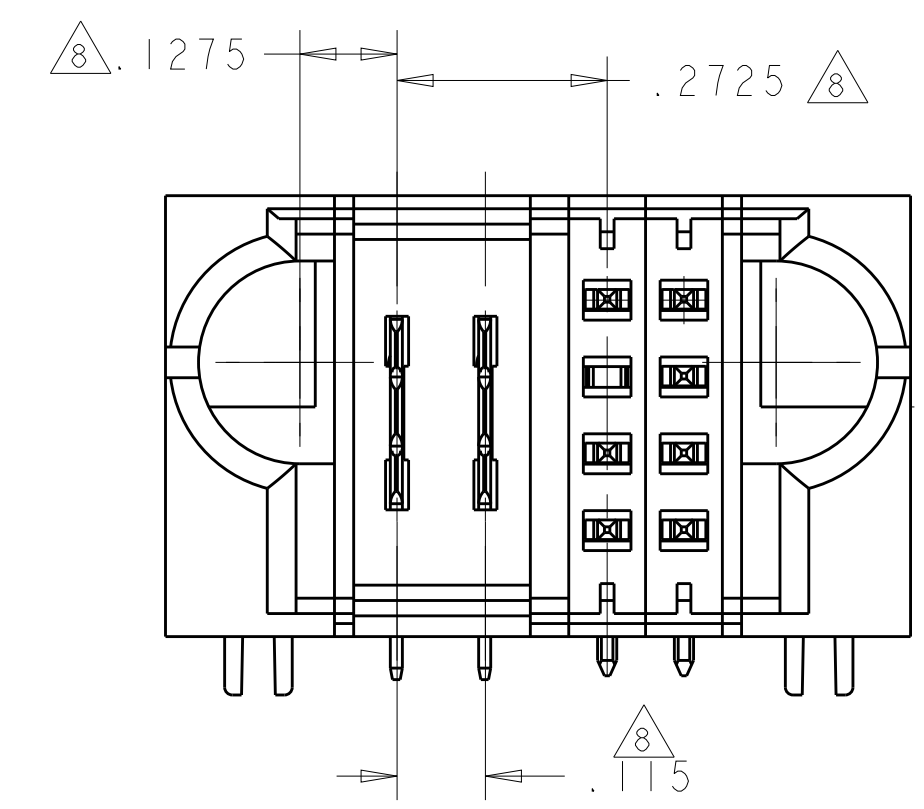
APVD S. ZHAO
NAME R/A HEADER WITH SHORT GUIDES AND LP CONTACTS ASSEMBLY MULTI-BEAM XLE
PRODUCT SPEC 108-2292
APPLICATION SPEC 114-13251
SIZE CAGE CODE DRAWING NO. 100779
SCALE 4:1 SHEET 2 OF 24 REV K6

TE Connectivity
CUSTOMER DRAWING

LOC		DIST		REVISIONS			
P	LTN	DESCRIPTION	DATE	DMN	APVD		
-		SEE SHEET 1	-	-	-		



FOR P/N:6450832-2, OTHER DIMENSIONS PLEASE SEE TABLE

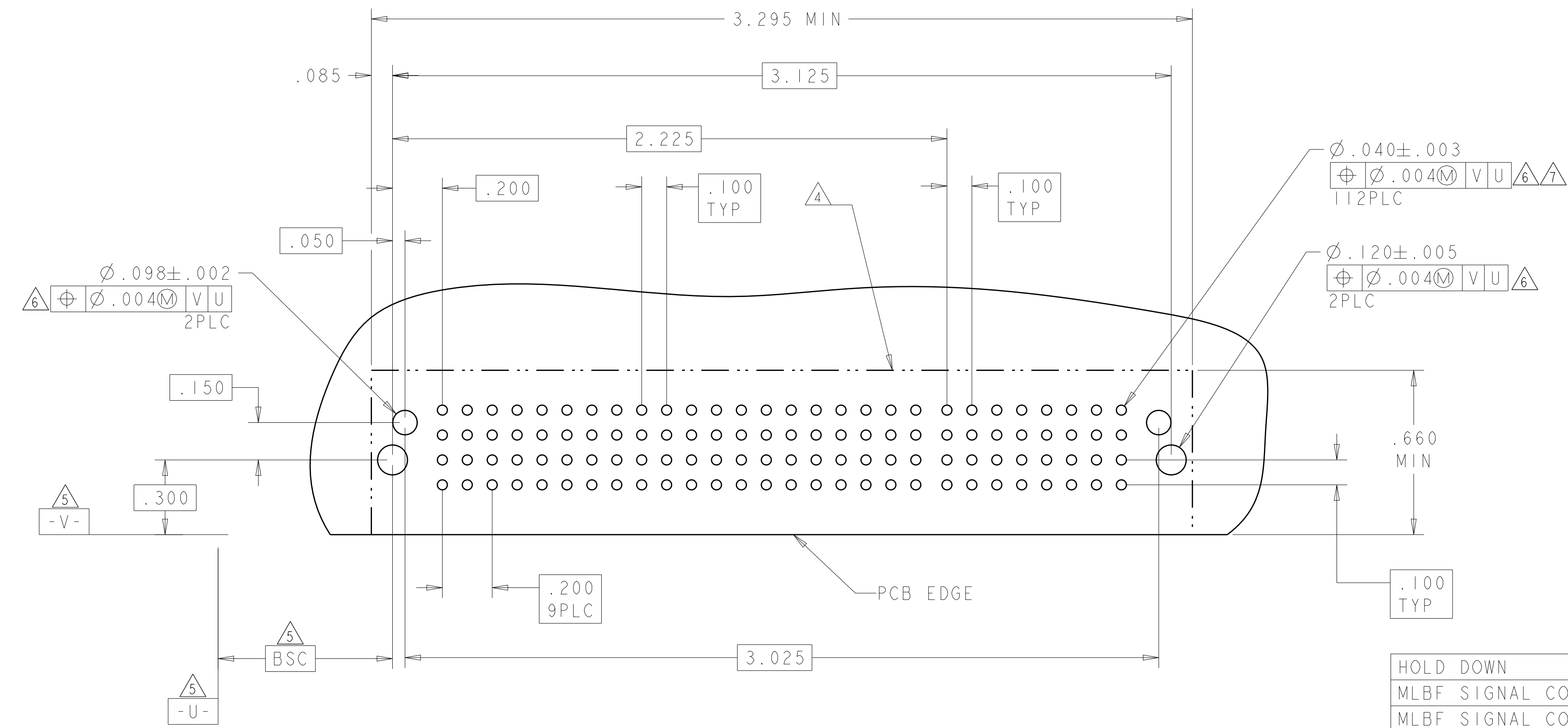


FOR P/N:6450832-8 AND 3-6450832-1, OTHER DIMENSIONS PLEASE SEE SHEET 1

THIS DRAWING IS A CONTROLLED DOCUMENT.		DMN H. LIU 27MAY2008	
		CHK S. ZHAO 27MAY2008	
DIMENSIONS:	TOLERANCES UNLESS OTHERWISE SPECIFIED:	APVD S. ZHAO	NAME R/A HEADER WITH SHORT GUIDES AND LP CONTACTS ASSEMBLY MULTI-BEAM XLE
INCHES	0 PLC ±. 1 PLC ±.01 2 PLC ±.01 3 PLC ±.005 4 PLC ±.0020	PRODUCT SPEC 108-2292	SIZE A100779
	ANGLES M7°	APPLICATION SPEC 114-13251	DRAWING NO C=6450832
MATERIAL	FINISH	WEIGHT	RESTRICTED TO
			CUSTOMER DRAWING
		SCALE 4:1	SHEET 3 OF 24
			REV K6

LOC		DIST		REVISIONS			
P	LTN	DESCRIPTION	DATE	DMN	APVD		
-	-	SEE SHEET 1	-	-	-	-	-

PART NUMBER	ROWS	POWER										SIGNAL							
		P1	P2	P3	P4	P5	P6	P7	P8	P9	P10	1	2	3	4	5	6	7	8
6450832-1	D C B A	TM	TM	TM	TM	TM	TM	TM	TM	TM	TM	J	J	J	J	J	J	J	J
		TM	TM	TM	TM	TM	TM	TM	TM	TM	TM	K	K	K	K	K	K	K	K
		TM	TM	TM	TM	TM	TM	TM	TM	TM	TM	N	N	N	N	N	G	N	N
		TM	TM	TM	TM	TM	TM	TM	TM	TM	TM	S	S	S	S	S	S	S	S
10HDP + 32S		HD		HD		HD		HD		HD		HD		HD		HD		HD	



DESCRIPTION	IDENTIFIER
HOLD DOWN	HD
MLBF SIGNAL CONTACT, .135 TAIL LENGTH, ROW D	E
MLBF SIGNAL CONTACT, .135 TAIL LENGTH, ROW C	F
MLBF SIGNAL CONTACT, .135 TAIL LENGTH, ROW B	G
MLBF SIGNAL CONTACT, .135 TAIL LENGTH, ROW A	H
MFBL SIGNAL CONTACT, .135 TAIL LENGTH, ROW D	FJ
MFBL SIGNAL CONTACT, .135 TAIL LENGTH, ROW C	FK
MFBL SIGNAL CONTACT, .135 TAIL LENGTH, ROW B	FN
MFBL SIGNAL CONTACT, .135 TAIL LENGTH, ROW A	FS
STANDARD SIGNAL CONTACT, .135 TAIL LENGTH, ROW D	J
STANDARD SIGNAL CONTACT, .135 TAIL LENGTH, ROW C	K
STANDARD SIGNAL CONTACT, .135 TAIL LENGTH, ROW B	N
STANDARD SIGNAL CONTACT, .135 TAIL LENGTH, ROW A	S
MFBL LOWER POWER CONTACT .135 TAIL LENGTH.	LMF
STD LOWER POWER CONTACT .135 TAIL LENGTH	LM
3-BEAM POWER CONTACT, .135 TAIL LENGTH	TM

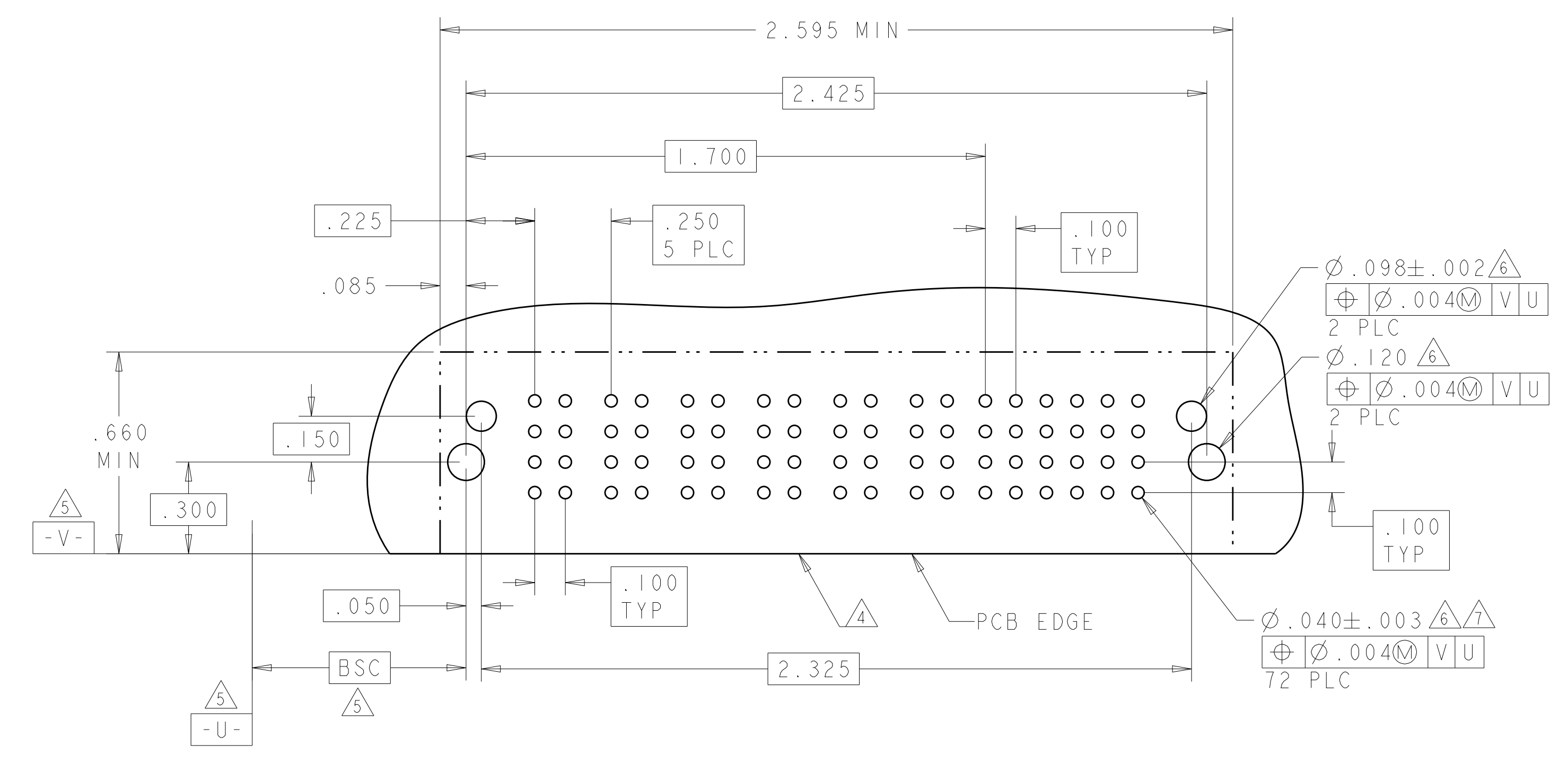
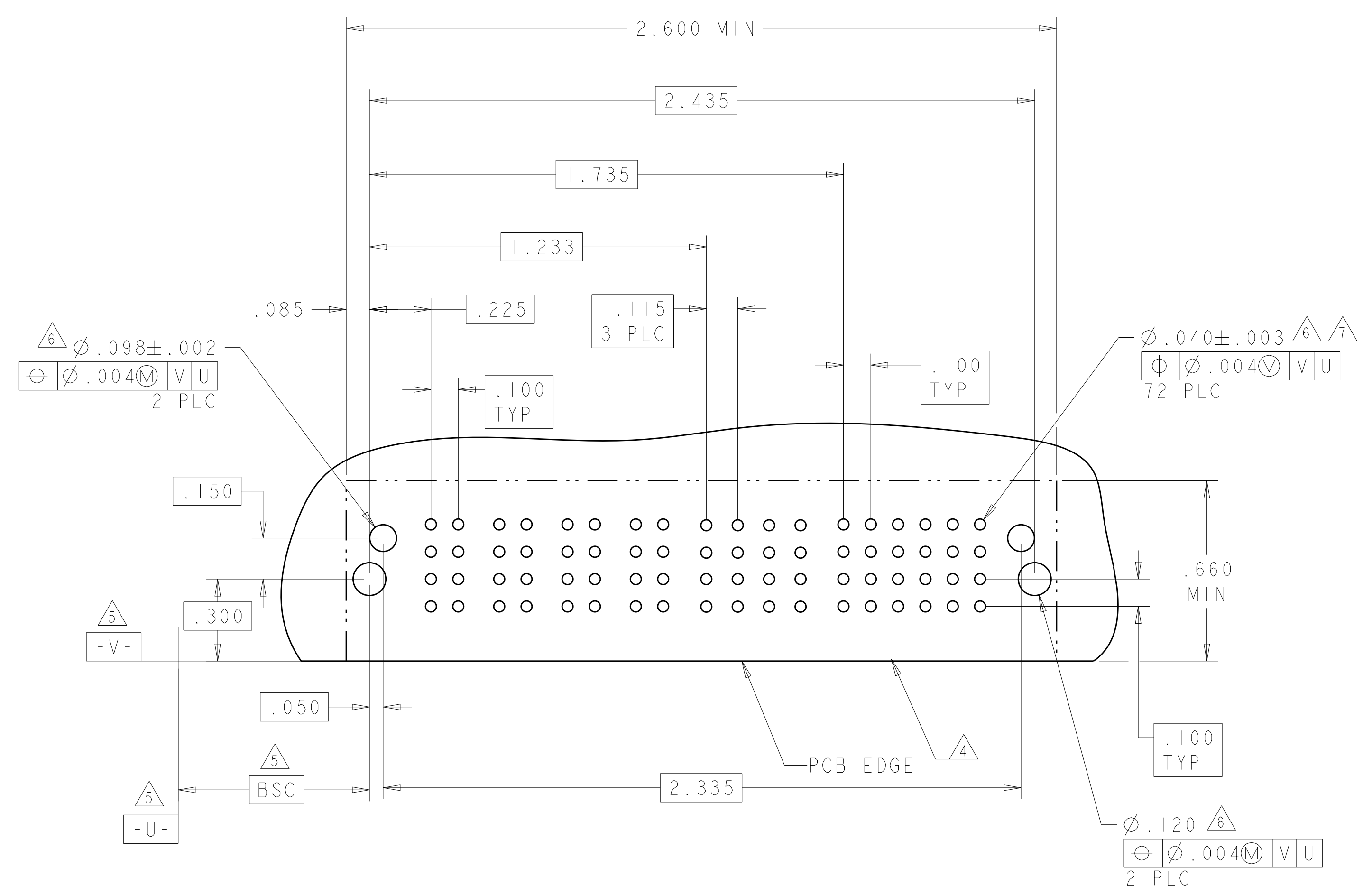
THIS DRAWING IS A CONTROLLED DOCUMENT.

DMN: H.LIU	27MAY2008	TE Connectivity
CHK: S.ZHAO	27MAY2008	
APVD: S.ZHAO		NAME: R/A HEADER WITH SHORT GUIDES AND LP CONTACTS ASSEMBLY
DIMENSIONS: INCHES		PRODUCT SPEC: 108-2292
TOLERANCES UNLESS OTHERWISE SPECIFIED:		APPLICATION SPEC: 114-13251
0 PLC ± .01	1 PLC ± .01	SIZE: A100779
2 PLC ± .01	3 PLC ± .005	CAGE CODE: C=6450832
4 PLC ± .002	ANGLES ± .020	WEIGHT: -
MATERIAL FINISH		RESTRICTED TO: -
CUSTOMER DRAWING		SCALE: 4:1 SHEET 4 OF 24 REV: K6

LOC	DIST	REVISIONS			
P	LTN	DESCRIPTION	DATE	DMN	APVD
-	-	SEE SHEET 1	-	-	-

PART NUMBER	ROWS	POWER								SIGNAL							
		P1	P2	P3	P4	P5	P6	P7	P8	1	2	3	4	5	6		
6450832-2	D	TM	TM	TM	TM	LM	LM	LM	LM	J	J	J	J	J	J		
	C	TM	TM	TM	TM	LM	LM	LM	LM	K	K	K	K	K	K		
	B	TM	TM	TM	TM	LM	LM	LM	LM	N	N	N	N	N	N		
	A	TM	TM	TM	TM	LM	LM	LM	LM	S	S	S	S	S	S		
		HD									HD						
		4P + 4LP + 24S															

PART NUMBER	ROWS	POWER						SIGNAL							
		P1	P2	P3	P4	P5	P6	1	2	3	4	5	6		
6450832-3	D	TM	TM	TM	TM	TM	TM	J	J	J	J	J	J		
	C	TM	TM	TM	TM	TM	TM	K	K	K	K	K	K		
	B	TM	TM	TM	TM	TM	TM	N	N	N	N	N	N		
	A	TM	TM	TM	TM	TM	TM	S	S	S	S	S	S		
		HD							HD						
		6P + 24S													



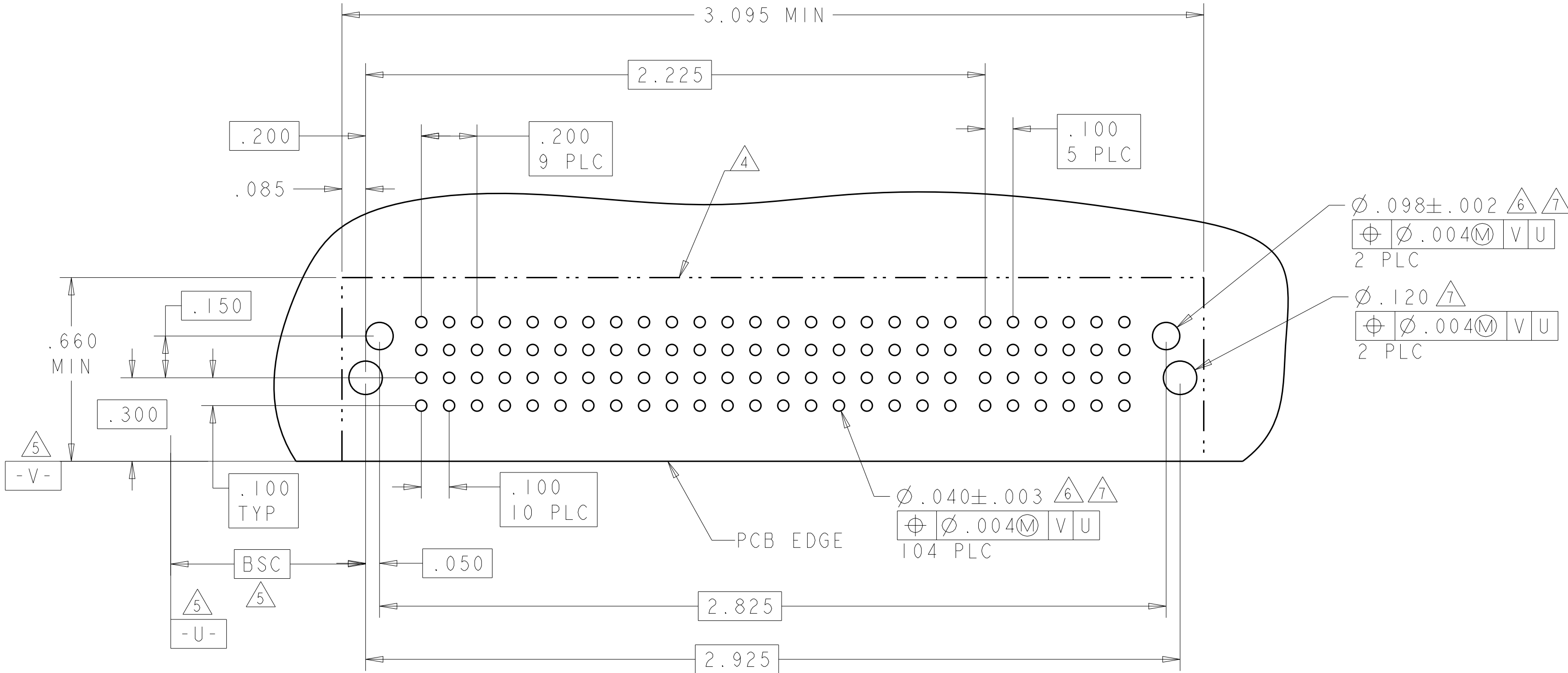
THIS DRAWING IS A CONTROLLED DOCUMENT.		DMN: H.LIU 27MAY2008	STE TE Connectivity
DIMENSIONS: INCHES		CHK: S.ZHAO 27MAY2008	
TOLERANCES UNLESS OTHERWISE SPECIFIED:		APVD: S.ZHAO	NAME: R/A HEADER WITH SHORT GUIDES AND LP CONTACTS ASSEMBLY MULTI-BEAM XLE
0 PLC ±.01		PRODUCT SPEC: 108-2292	SIZE: A1
1 PLC ±.01		APPLICATION SPEC: 114-13251	CAGE CODE: C=6450832
2 PLC ±.01		WEIGHT: -	SCALE: 4:1
3 PLC ±.005		CUSTOMER DRAWING	SHEET 5 OF 24
4 PLC ±.0020			REV: K6
ANGLES: ±2°			
FINISH: -			

LOC	DIST	REVISIONS			
P	LTM	DESCRIPTION	DATE	OWN	APVD
-	-	SEE SHEET 1	-	-	-

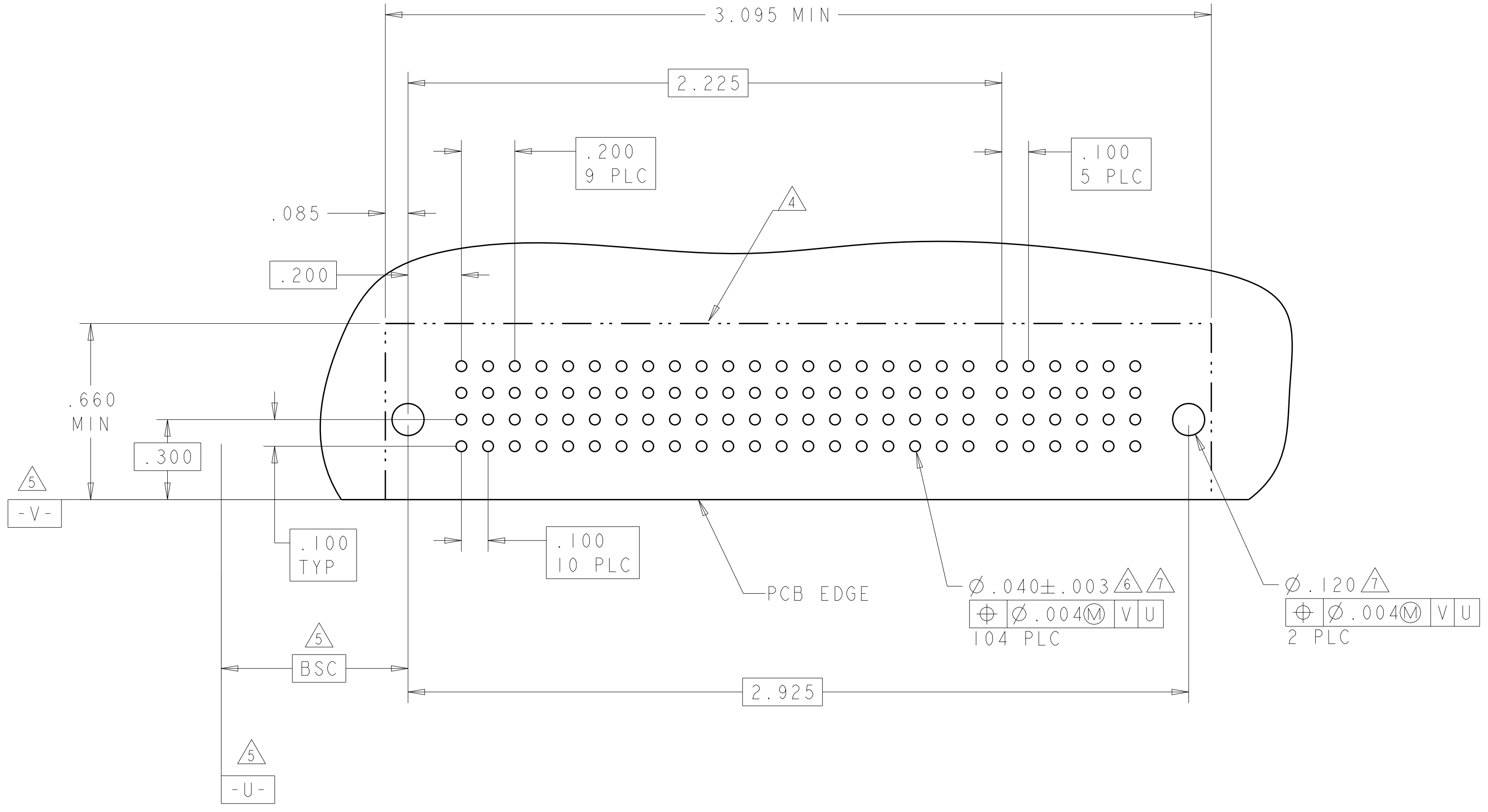
PART NUMBER	ROWS	POWER										SIGNAL					
		P1	P2	P3	P4	P5	P6	P7	P8	P9	P10	1	2	3	4	5	6
6450832-4	D C B A	TM	TM	TM	TM	TM	TM	TM	TM	TM	TM	J	J	J	J	J	J
		TM	TM	TM	TM	TM	TM	TM	TM	TM	TM	K	K	K	K	K	K
		TM	TM	TM	TM	TM	TM	TM	TM	TM	TM	N	N	N	N	N	N
10HDP + 24S											H	S	S	S	S	S	

PART NUMBER	ROWS	POWER										SIGNAL					
		P1	P2	P3	P4	P5	P6	P7	P8	P9	P10	1	2	3	4	5	6
6450832-5	D C B A	TM	TM	TM	TM	TM	TM	TM	TM	TM	TM	J	J	J	J	J	J
		TM	TM	TM	TM	TM	TM	TM	TM	TM	TM	K	K	K	K	K	K
		TM	TM	TM	TM	TM	TM	TM	TM	TM	TM	N	N	N	N	N	N
10HDP + 24S											H	S	S	S	S	S	

PART NUMBER	ROWS	POWER										SIGNAL					
		P1	P2	P3	P4	P5	P6	P7	P8	P9	P10	1	2	3	4	5	6
2-6450832-7	D C B A	TM	TM	TM	TM	TM	TM	TM	TM	TM	TM	J	J	J	J	J	J
		TM	TM	TM	TM	TM	TM	TM	TM	TM	TM	K	K	K	K	K	K
		TM	TM	TM	TM	TM	TM	TM	TM	TM	TM	N	N	N	N	N	N
10HDP + 24S											H	S	S	S	S	S	



$\varnothing .098 \pm .002$ 6 7
 $\oplus \varnothing .004$ M V U
 2 PLC
 $\varnothing .120$ 7
 $\oplus \varnothing .004$ M V U
 2 PLC



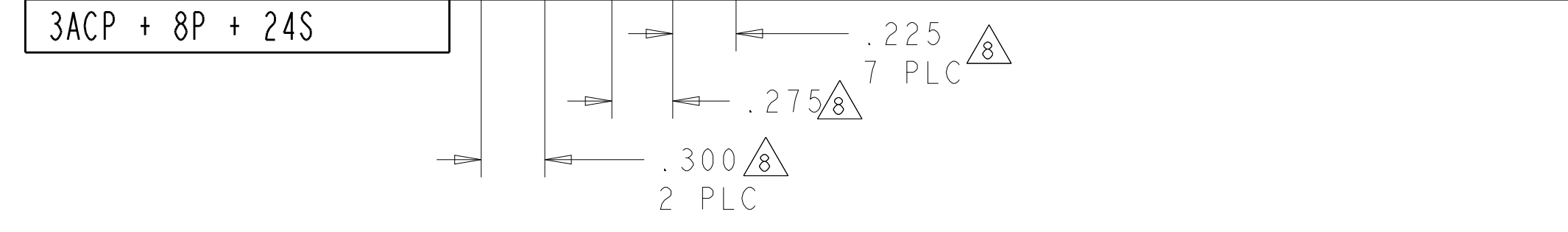
$\varnothing .098 \pm .002$ 6 7
 $\oplus \varnothing .004$ M V U
 2 PLC
 $\varnothing .120$ 7
 $\oplus \varnothing .004$ M V U
 2 PLC

PCB LAYOUT FOR P/N: 6450832-5 AND 2-6450832-7

THIS DRAWING IS A CONTROLLED DOCUMENT.		OWN: H.LIU 27MAY2008	TE Connectivity
DIMENSIONS: INCHES		CHK: S.ZHAO 27MAY2008	
TOLERANCES UNLESS OTHERWISE SPECIFIED: 0 PLC ±. 1 PLC ±.01 2 PLC ±.01 3 PLC ±.005 4 PLC ±.002 ANGLES ±.020		APVD: S.ZHAO	NAME: R/A HEADER WITH SHORT GUIDES AND LP CONTACTS ASSEMBLY
MATERIAL: FINISH: *		PRODUCT SPEC: 108-2292	MULTI-BEAM XLE
		APPLICATION SPEC: 114-13251	SIZE: CAGE CODE DRAWING NO: A100779
		WEIGHT: -	RESTRICTED TO: -
		CUSTOMER DRAWING	SCALE: 4:1 SHEET 6 OF 24 REV: K6

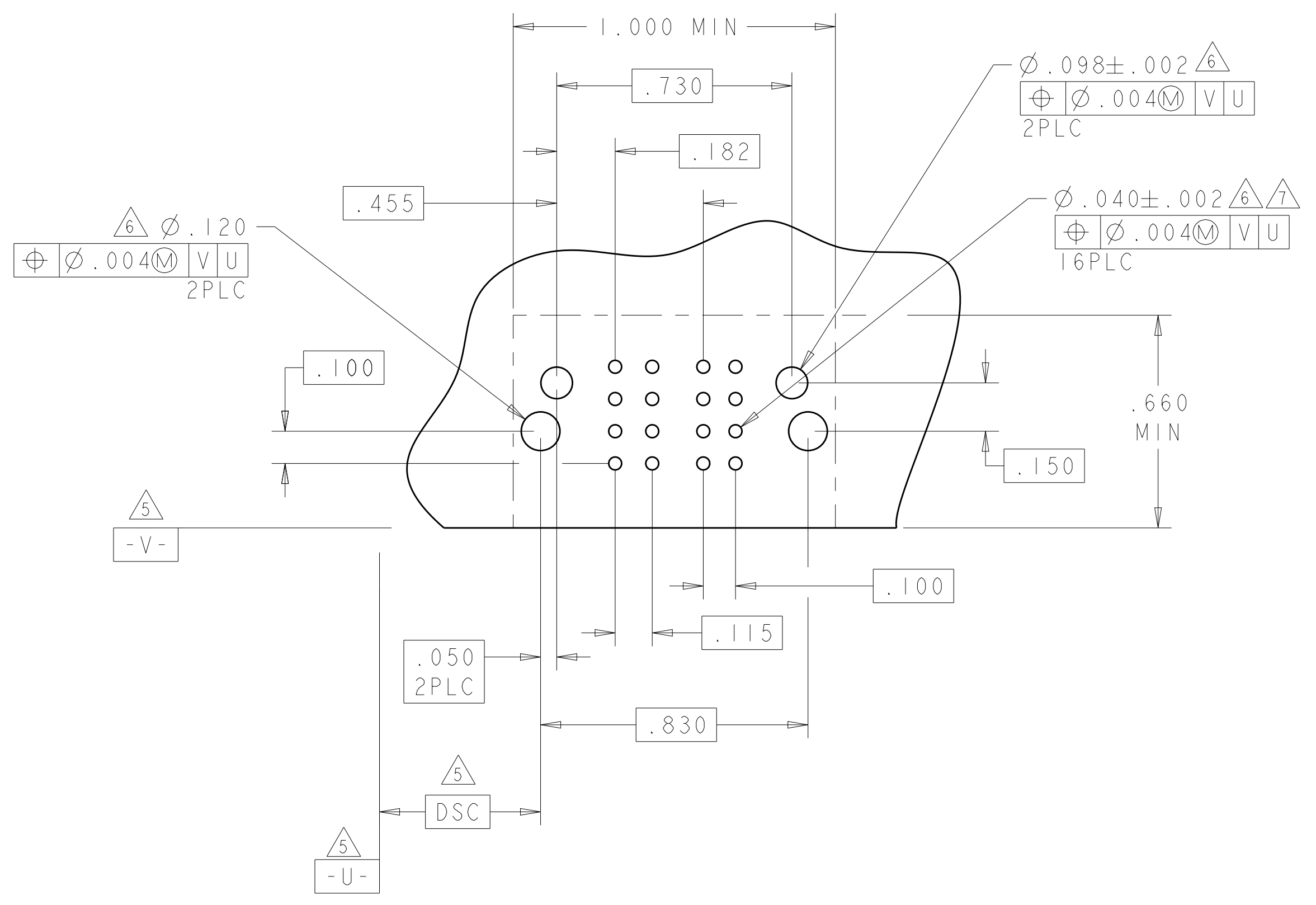
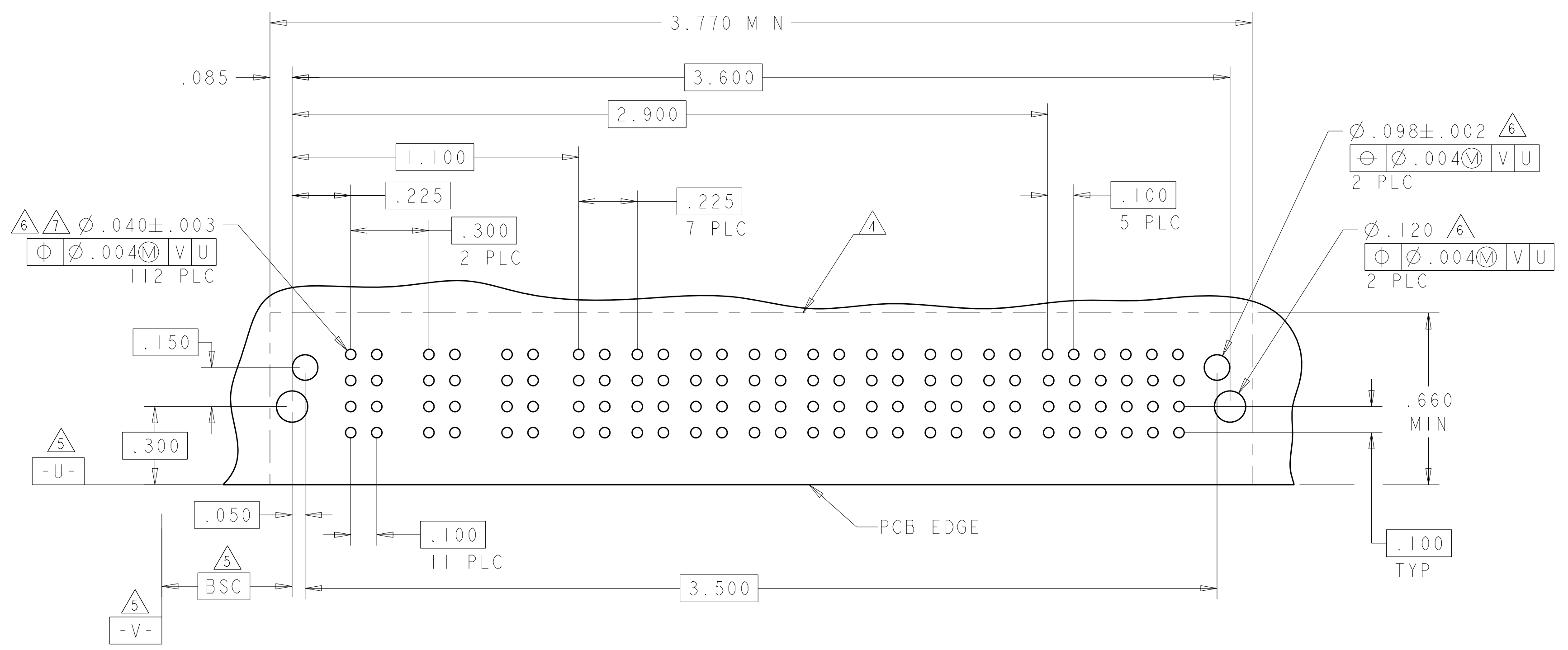
LOC	DIST	REVISIONS			
P	LTM	DESCRIPTION	DATE	DMN	APVD
-	-	SEE SHEET 1	-	-	-

PART NUMBER	ROWS	POWER											SIGNAL					
		P1	P2	P3	P4	P5	P6	P7	P8	P9	P10	P11	1	2	3	4	5	6
6450832-7	D C B A	TM	TM	TM	TM	TM	TM	TM	TM	TM	TM	TM	E	E	J	J	E	E
		TM	TM	TM	TM	TM	TM	TM	TM	TM	TM	TM	K	F	K	K	K	K
		TM	TM	TM	TM	TM	TM	TM	TM	TM	TM	TM	N	G	G	G	G	G
		TM	TM	TM	TM	TM	TM	TM	TM	TM	TM	TM	S	S	S	S	S	S



PART NUMBER	ROWS	POWER		SIGNAL	
		P1	P2	1	2
6450832-8	D C B A	LMF	LM	E	E
		LMF	LM	F	F
		LMF	LM	G	G
		LMF	LM	H	H

2LP + 8S



THIS DRAWING IS A CONTROLLED DOCUMENT.		DMN: H.LIU 27MAY2008	STE TE Connectivity
DIMENSIONS: INCHES		CHK: S.ZHAO 27MAY2008	
TOLERANCES UNLESS OTHERWISE SPECIFIED:		APVD: S.ZHAO	NAME: R/A HEADER WITH SHORT GUIDES AND LP CONTACTS ASSEMBLY MULTI-BEAM XLE
0 PLC ±.01		PRODUCT SPEC: 108-2292	
2 PLC ±.01		APPLICATION SPEC: 114-13251	SIZE: A100779 C=6450832
4 PLC ±.005		WEIGHT: -	
ANGLES ±.0020		CUSTOMER DRAWING	SCALE: 4:1 SHEET 7 OF 24 REV: K6
FINISH: -			

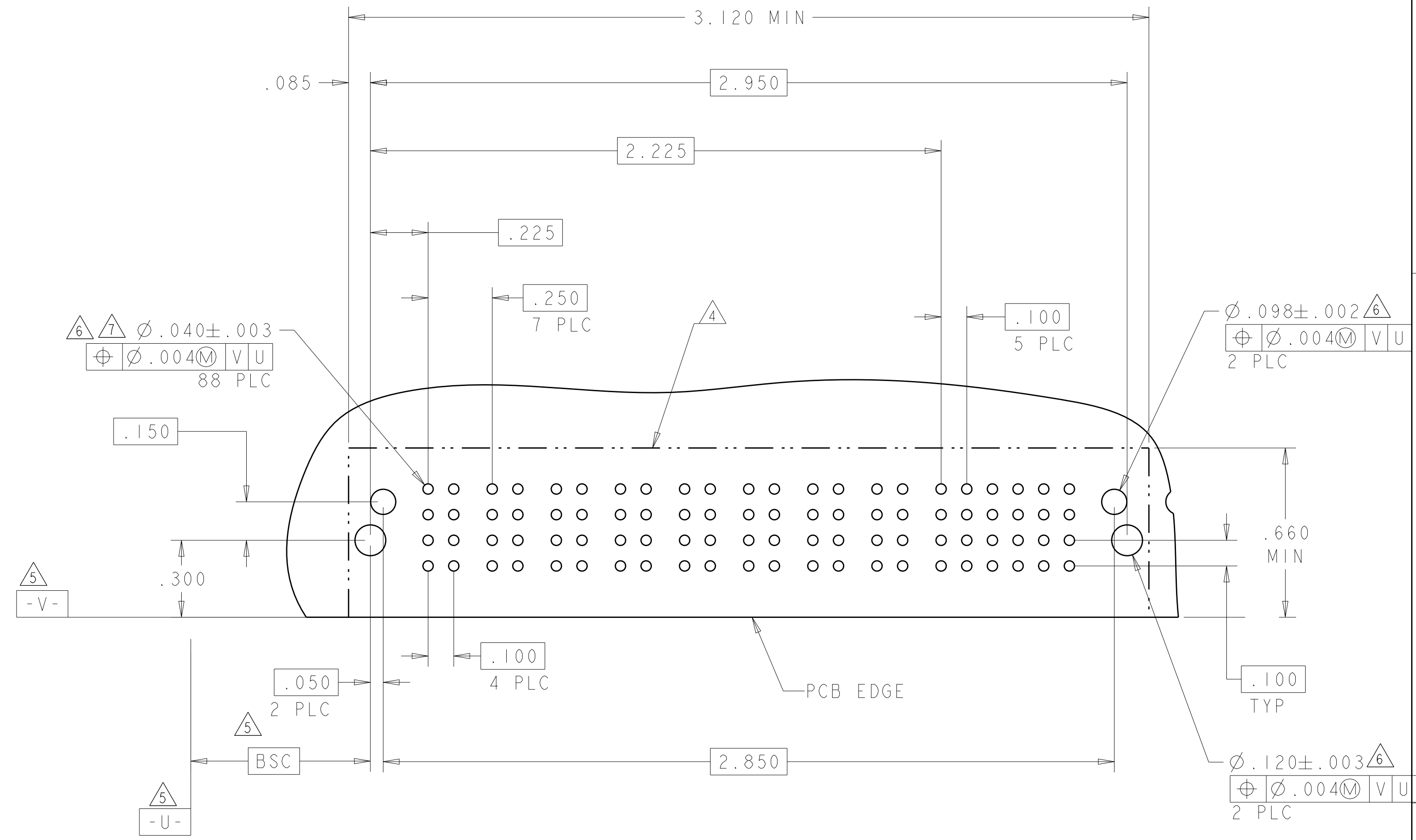
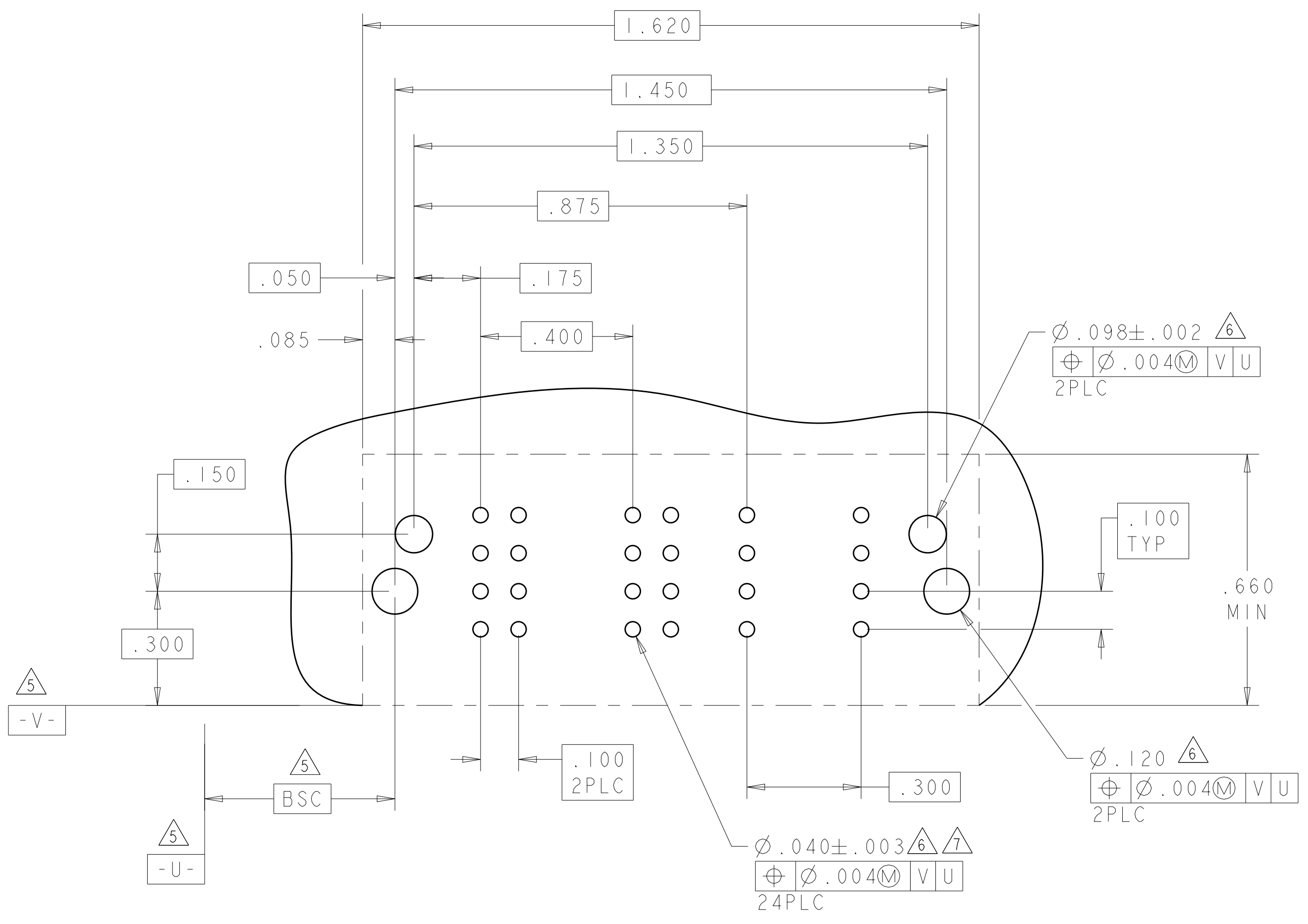
LOC	DIST	REVISIONS			
P	LTM	DESCRIPTION	DATE	OWN	APVD
-	-	SEE SHEET 1	-	-	-

PART NUMBER	ROWS	POWER			SIGNAL			
		P1	P2	P3	1	2	3	4
6450832-9	D C B A	TM	TM	TM	J			J
					K			K
					N			N
					S			S

PART NUMBER	ROWS	POWER								SIGNAL					
		P1	P2	P3	P4	P5	P6	P7	P8	1	2	3	4	5	6
3-6450832-4	D C B A	TM	TM	TM	TM	TM	TM	TM	TM	J	J	J	J	J	J
										K	K	K	K	K	K
										N	N	N	N	N	N
										S	S	S	S	S	S

2P + 8S
 .400
 NO LOADING CONTACTS

H9



THIS DRAWING IS A CONTROLLED DOCUMENT.

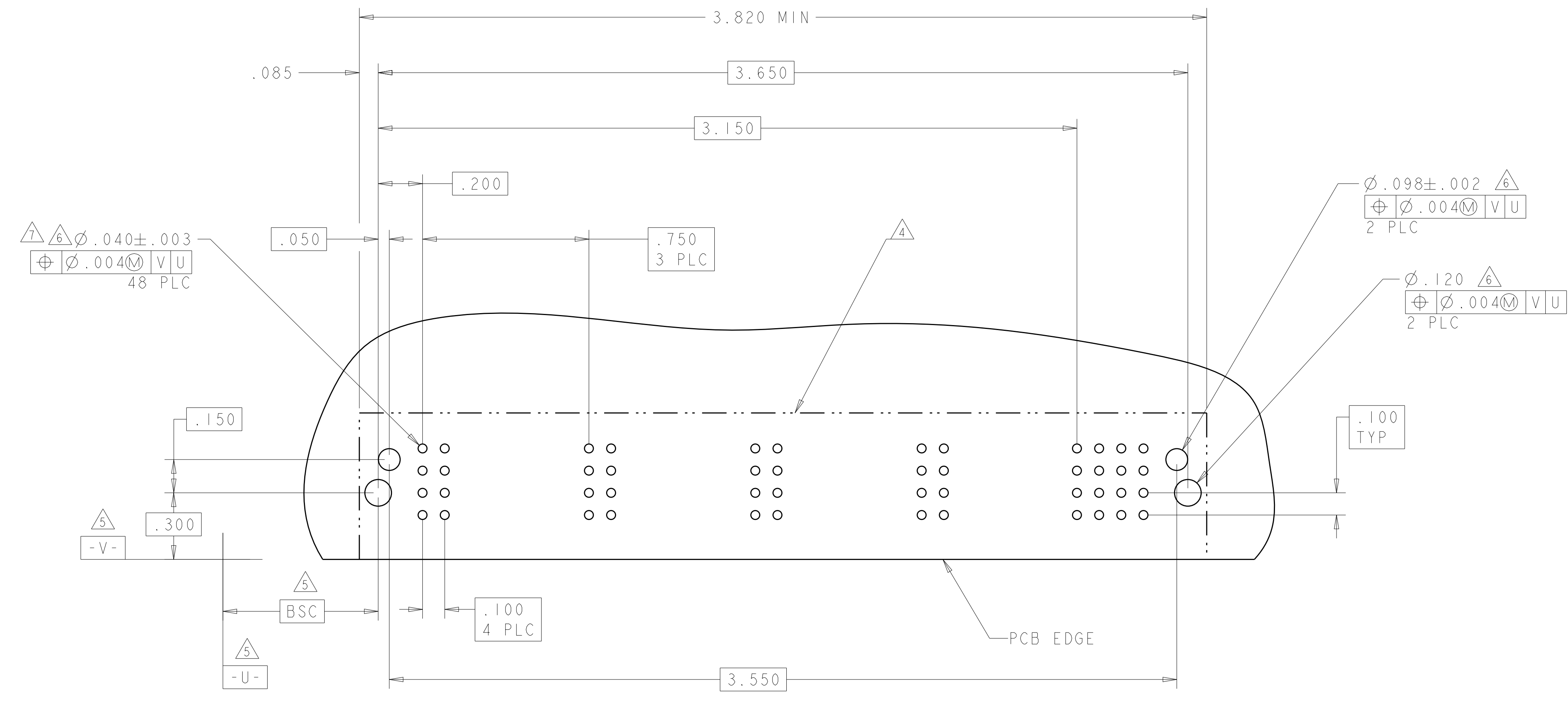
DIMENSIONS: INCHES	TOLERANCES UNLESS OTHERWISE SPECIFIED:	OWN: H.LIU 27MAY2008 CHK: S.ZHAO 27MAY2008 APVD: S.ZHAO	NAME: R/A HEADER WITH SHORT GUIDES AND LP CONTACTS ASSEMBLY MULTI-BEAM XLE
MATERIAL:	FINISH:	PRODUCT SPEC: 108-2292 APPLICATION SPEC: 114-13251 WEIGHT: -	SIZE: A1 CAGE CODE: 6450832 DRAWING NO: 100779
CUSTOMER DRAWING		SCALE: 4:1	SHEET: 8 OF 24 REV: K6

4805 (3/11)

LOC		DIST		REVISIONS			
P	LTN	DESCRIPTION	DATE	DMN	APVD		
-	-	SEE SHEET 1	-	-	-		

PART NUMBER	ROWS	POWER												SIGNAL				
		P1	P2	P3	P4	P5	P6	P7	P8	P9	P10	P11	P12	1	2	3	4	
1-6450832-0	D C B A	TM			TM			TM				TM		J	J	J	J	
														K	K	K	K	
															N	N	N	N
															S	S	S	S
12P + 16S																		

NO CONTACT LOADED



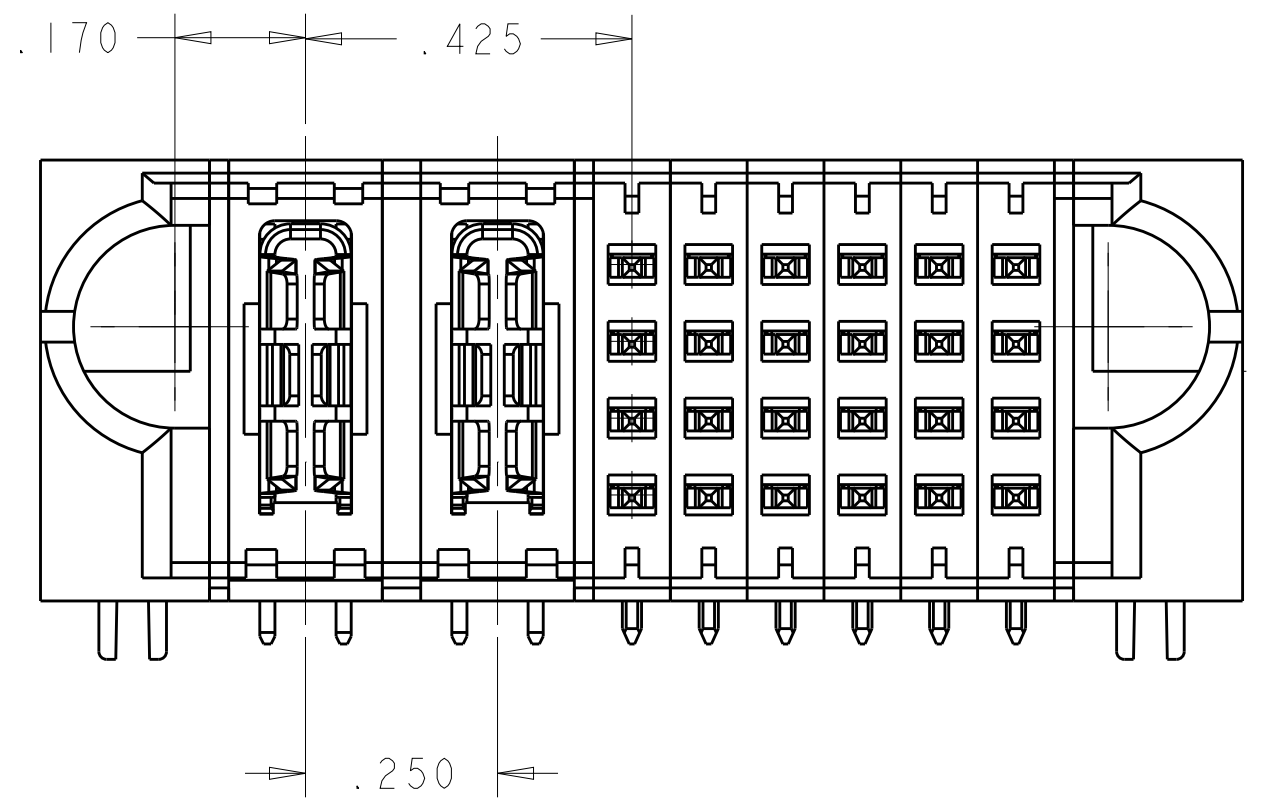
THIS DRAWING IS A CONTROLLED DOCUMENT.

DIMENSIONS:	TOLERANCES UNLESS OTHERWISE SPECIFIED:	OWN	H. LIU	27MAY2008
INCHES	0 PLC ±	CHK	S. ZHAO	27MAY2008
	1 PLC ±.01	APVD	S. ZHAO	-
	2 PLC ±.01	NAME	R/A HEADER WITH SHORT GUIDES AND LP CONTACTS ASSEMBLY	
	3 PLC ±.005	PRODUCT SPEC	108-2292	
	4 PLC ±.0020	APPLICATION SPEC	MULTI-BEAM XLE	
	ANGLES ±.2°	SIZE	CAGE CODE	DRAWING NO
MATERIAL	FINISH	WEIGHT	114-13251	RESTRICTED TO
CUSTOMER DRAWING		SCALE	4:1	SHEET 9 OF 24

REV K6

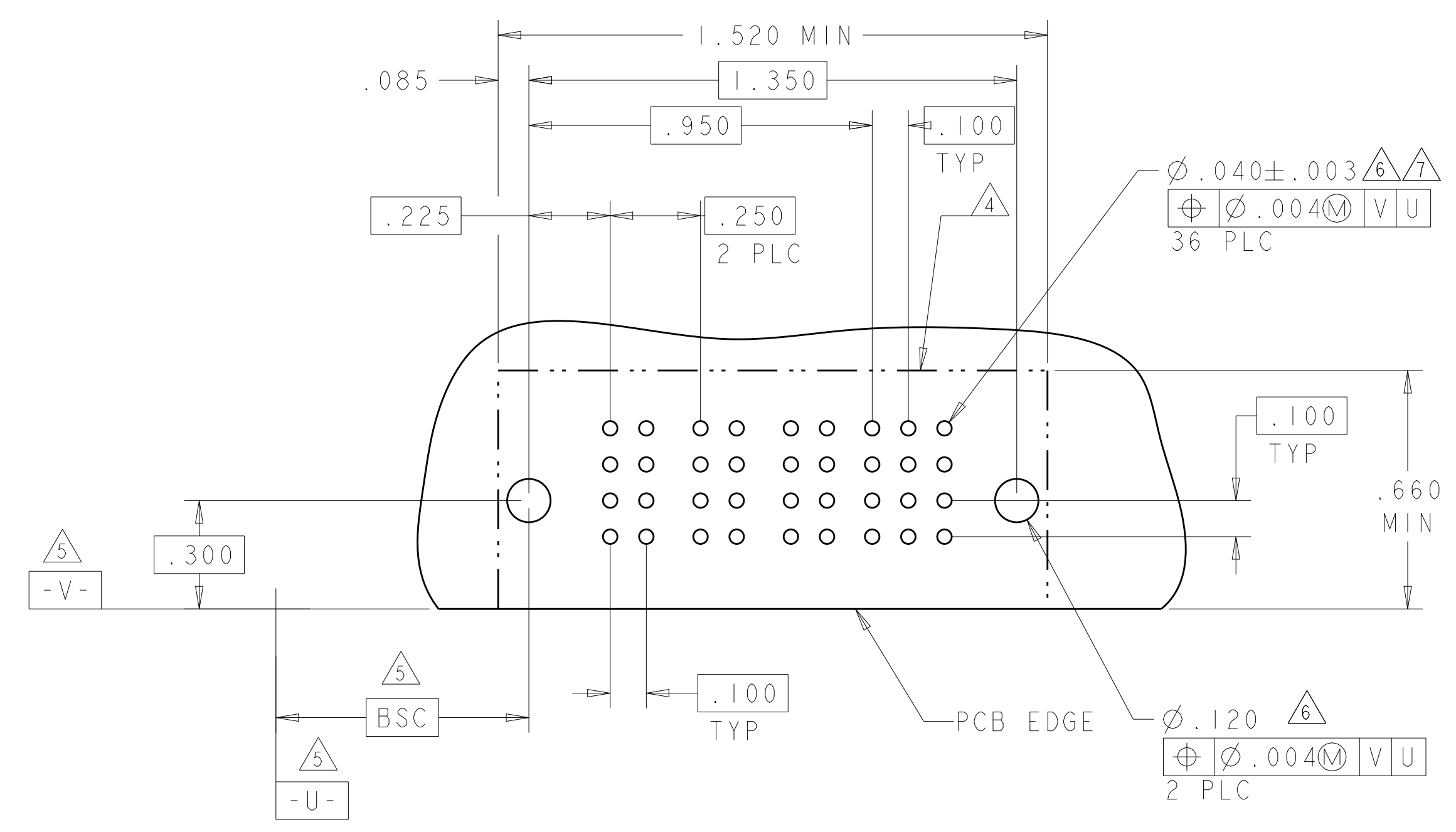
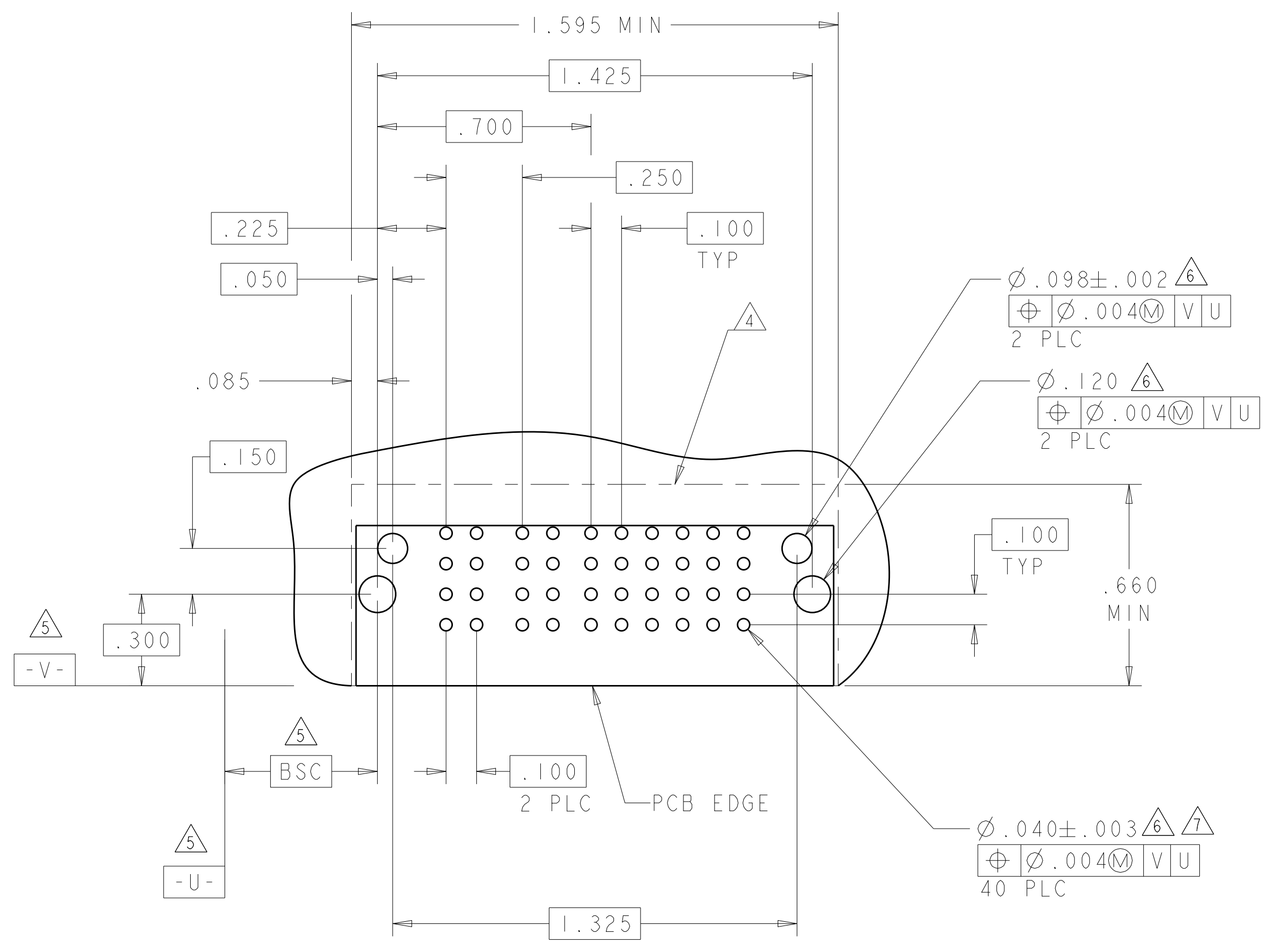
LOC	DIST	REVISIONS			
P	LTN	DESCRIPTION	DATE	DMN	APVD
-	-	SEE SHEET 1	-	-	-

PART NUMBER	ROWS	POWER		SIGNAL					
		P1	P2	1	2	3	4	5	6
I-6450832-2	D	TM	TM	J	J	J	J	J	J
	C			K	K	K	K	K	K
	B			N	N	N	N	N	N
A	H	S	S	S	S	S	S		
2P + 24S		HD							HD



PART VIEW I-6450832-2

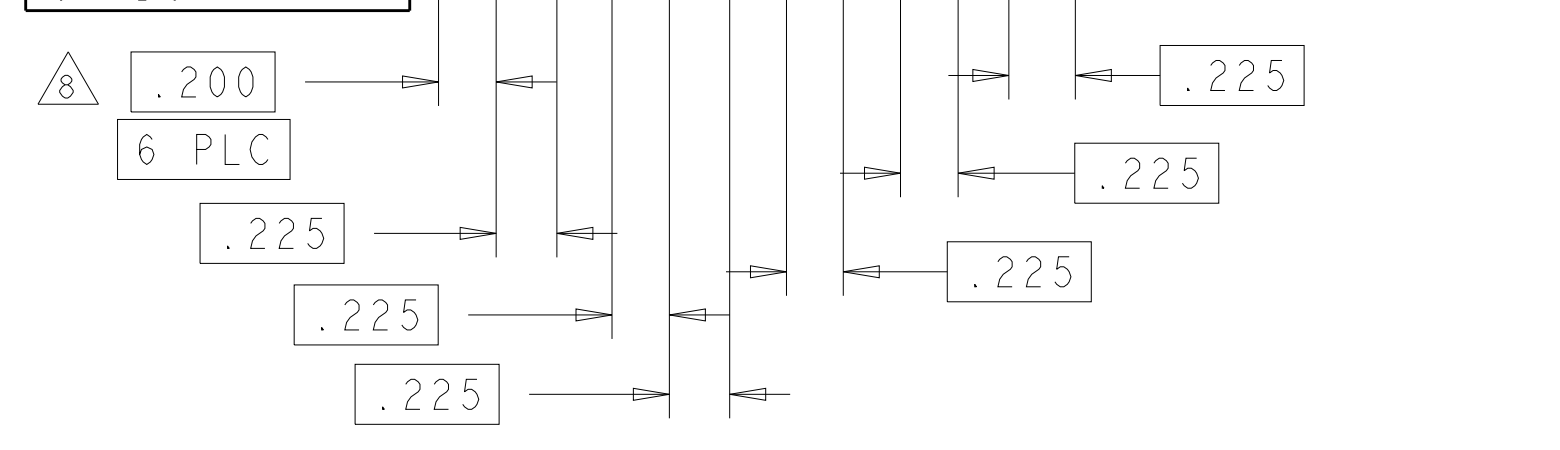
PART NUMBER	ROWS	POWER			SIGNAL		
		P1	P2	P3	1	2	3
I-6450832-4	D	TM	TM	TM	J	J	J
	C				K	F	K
	B				N	G	N
	A				S	S	S
3P + 12S							



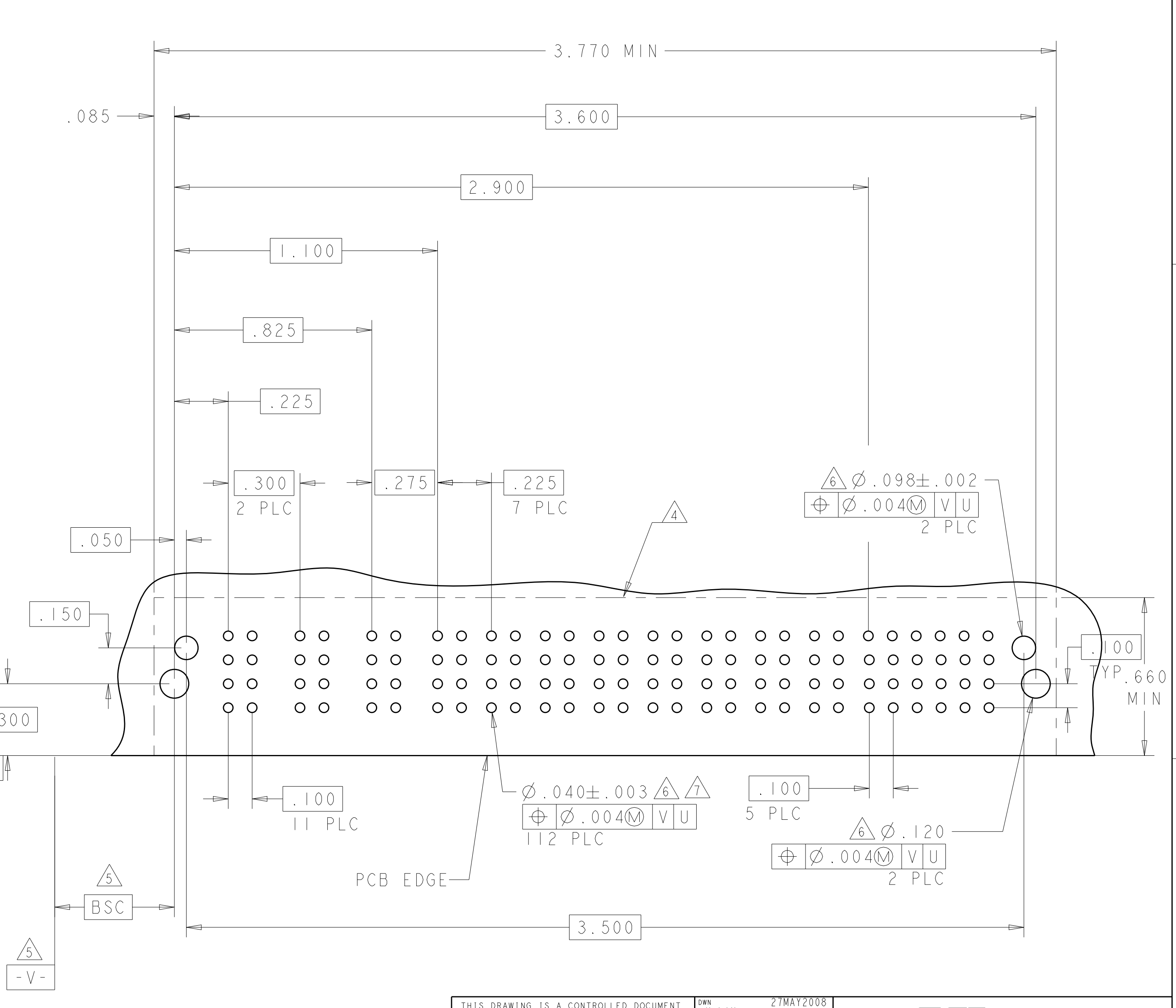
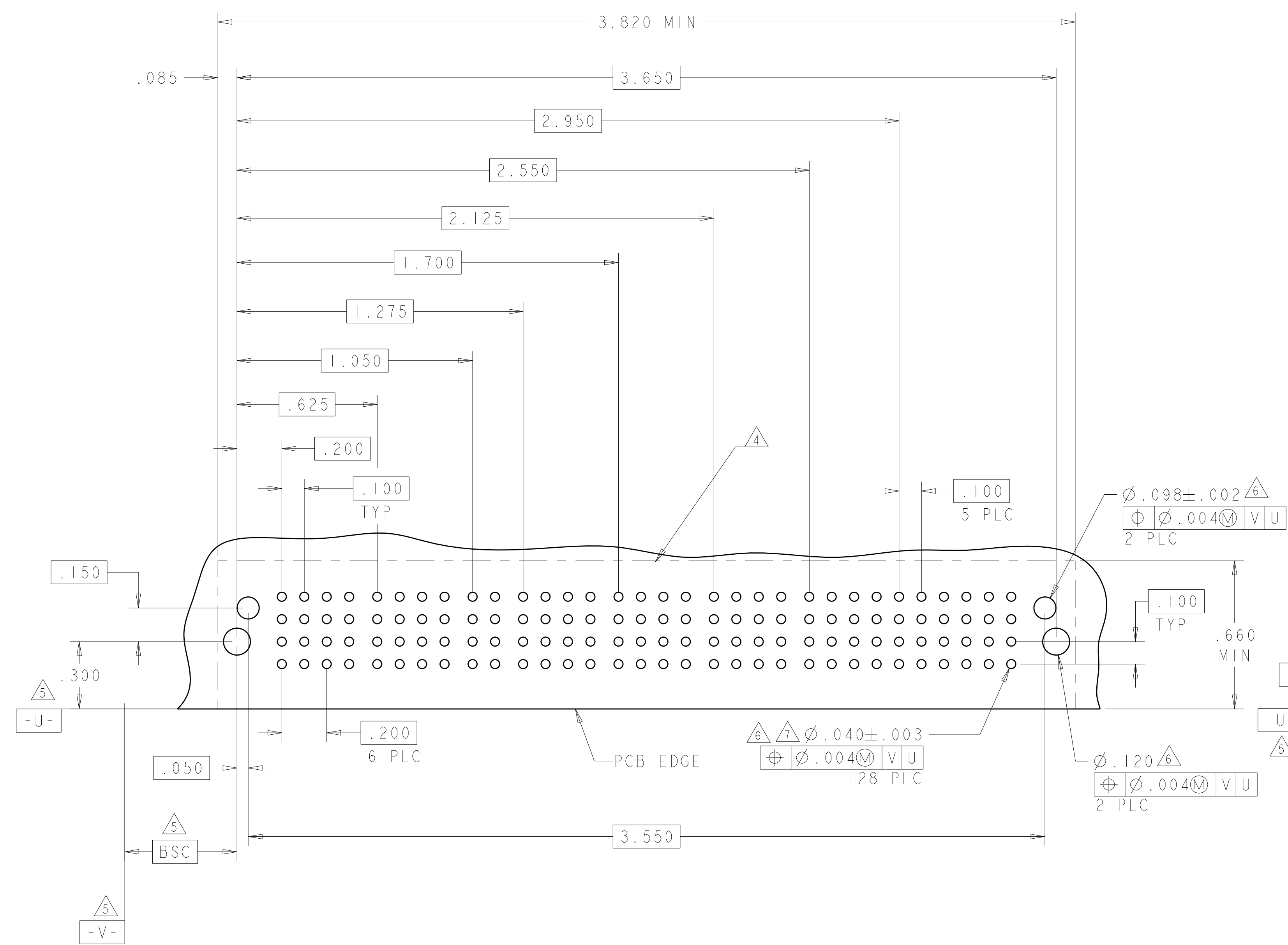
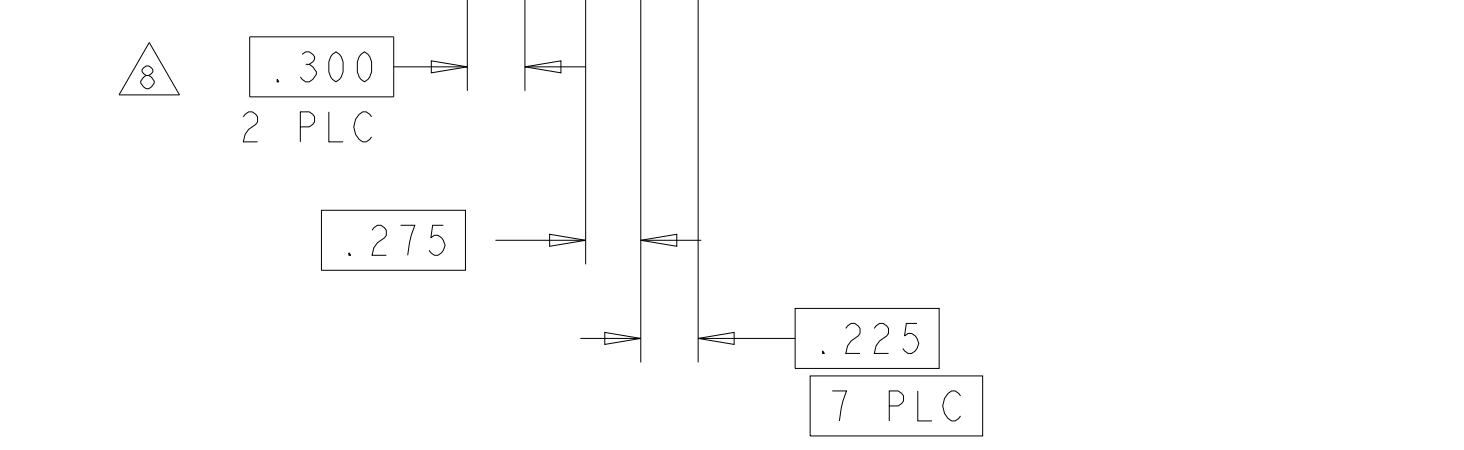
THIS DRAWING IS A CONTROLLED DOCUMENT.		DMN: H.LIU 27MAY2008	TE Connectivity
DIMENSIONS: INCHES		CHK: S.ZHAO 27MAY2008	
TOLERANCES UNLESS OTHERWISE SPECIFIED: 0 PLC ±. 2 PLC ±.01 3 PLC ±.005 4 PLC ±.0020 ANGLES ±.020		APVD: S.ZHAO	NAME: R/A HEADER WITH SHORT GUIDES AND LP CONTACTS ASSEMBLY MULTI-BEAM XLE
MATERIAL FINISH		PRODUCT SPEC: 108-2292	SIZE: A100779
		APPLICATION SPEC: 114-13251	CAGE CODE: C=6450832
		WEIGHT: -	SCALE: 4:1
		CUSTOMER DRAWING	SHEET 10 OF 24

LOC		DIST		REVISIONS			
P	LTN	DESCRIPTION	DATE	DMN	APVD		
-	-	SEE SHEET 1	-	-	-		

PART NUMBER	ROWS	POWER											SIGNAL						
		P1	P2	P3	P4	P5	P6	P7	P8	P9	P10	P11	P12	P13	1	2	3	4	5
1-6450832-6	D	TM	TM	TM	TM	TM	TM	TM	TM	TM	TM	TM	TM	E	E	J	J	E	E
	C	TM	TM	TM	TM	TM	TM	TM	TM	TM	TM	TM	TM	K	F	K	K	K	K
	B	TM	TM	TM	TM	TM	TM	TM	TM	TM	TM	TM	TM	N	G	N	G	G	G
A	TM	TM	TM	TM	TM	TM	TM	TM	TM	TM	TM	TM	S	S	S	S	S	S	



PART NUMBER	ROWS	POWER											SIGNAL					
		P1	P2	P3	P4	P5	P6	P7	P8	P9	P10	P11	1	2	3	4	5	6
1-6450832-7	D	TM	TM	TM	TM	TM	TM	TM	TM	TM	TM	TM	E	E	J	J	E	E
	C	TM	TM	TM	TM	TM	TM	TM	TM	TM	TM	TM	K	F	K	K	K	K
	B	TM	TM	TM	TM	TM	TM	TM	TM	TM	TM	TM	N	G	N	G	G	G
A	TM	TM	TM	TM	TM	TM	TM	TM	TM	TM	TM	S	S	S	S	S	S	



THIS DRAWING IS A CONTROLLED DOCUMENT.

DIMENSIONS:	TOLERANCES UNLESS OTHERWISE SPECIFIED:	DMN	H. LIU	27MAY2008
INCHES	0 PLC ±.01	CHK	S. ZHAO	27MAY2008
	1 PLC ±.01	APVD	S. ZHAO	-
	2 PLC ±.01	NAME	R/A HEADER WITH SHORT GUIDES AND LP CONTACTS ASSEMBLY	
	3 PLC ±.01	PRODUCT SPEC	108-2292	
	4 PLC ±.005	APPLICATION SPEC	114-13251	
	ANGLES ±.0020	SIZE	CAGE CODE	DRAWING NO
MATERIAL	FINISH	WEIGHT	A100779	C=6450832
CUSTOMER DRAWING		SCALE	4:1	SHEET 11 OF 24

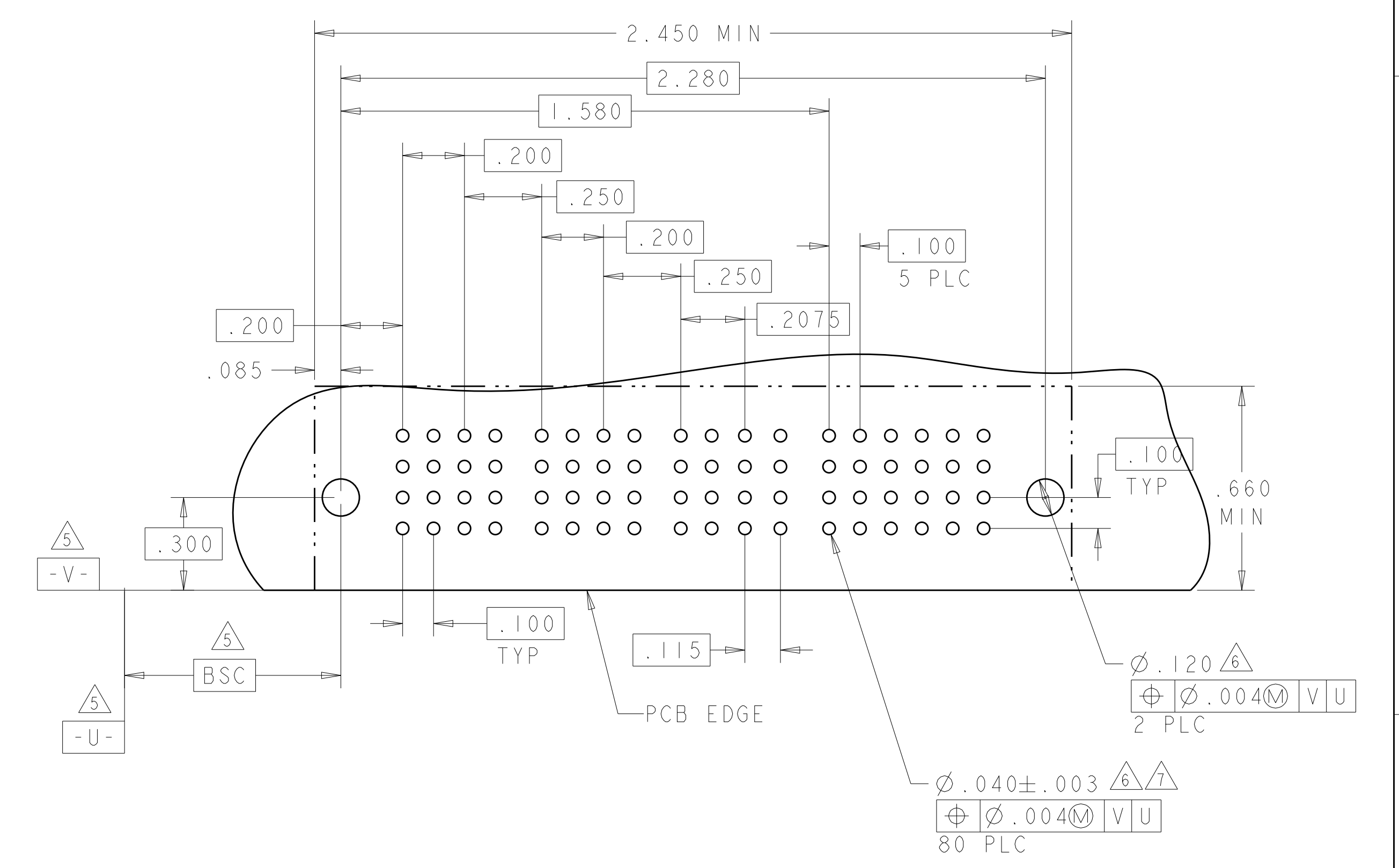
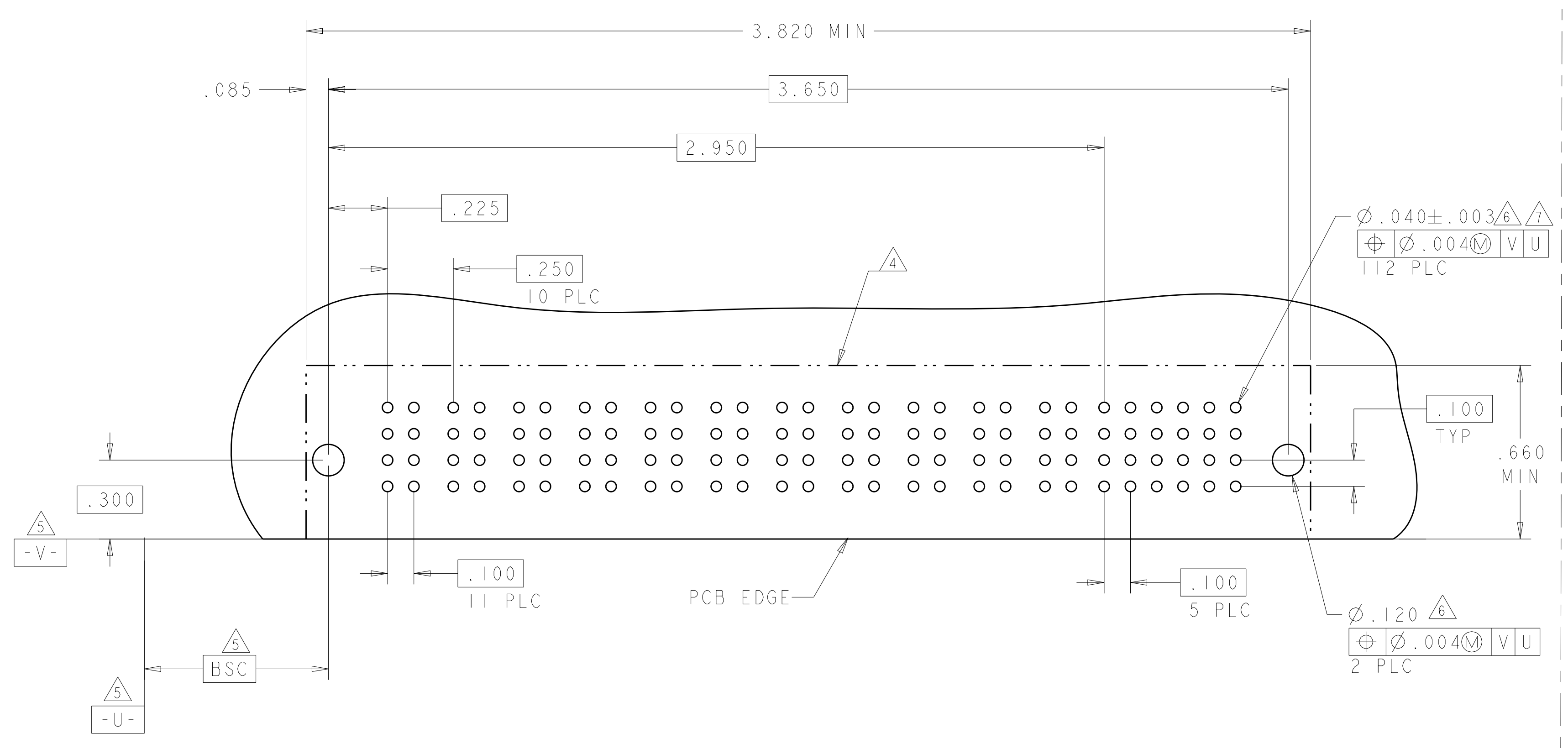
REV K6

LOC	DIST	REV	DATE	BY	APPD
		1			

PART NUMBER	ROWS	POWER										SIGNAL					
		P1	P2	P3	P4	P5	P6	P7	P8	P9	P10	P11	1	2	3	4	5
1-6450832-9	D											J	E	J	J	J	E
	C											K	K	F	F	K	F
	B	TM	TM	TM	TM	TM	TM	TM	TM	TM	TM	G	N	G	G	N	G
	A											S	S	S	S	H	H
11P + 24S																	

PART NUMBER	ROWS	POWER							SIGNAL					
		P1	P2	P3	P4	P5	LP1	LP2	1	2	3	4	5	6
2-6450832-0	D								J	F	J	J	J	J
	C								K	FK	K	K	F	F
	B	TM	TM	TM	TM	TM	LM	LMF	N	FN	N	N	FN	FN
	A								S	FS	H	S	H	H
5P + 2LP + 24S														

PART NUMBER	ROWS	POWER							SIGNAL					
		P1	P2	P3	P4	P5	LP1	LP2	1	2	3	4	5	6
2-6450832-5	D								J	F	J	J	J	J
	C								K	FK	K	K	F	F
	B	TM	TM	TM	TM	TM	LMF	LMF	N	FN	N	N	FN	FN
	A								S	FS	H	S	H	H
5P + 2LP + 24S														



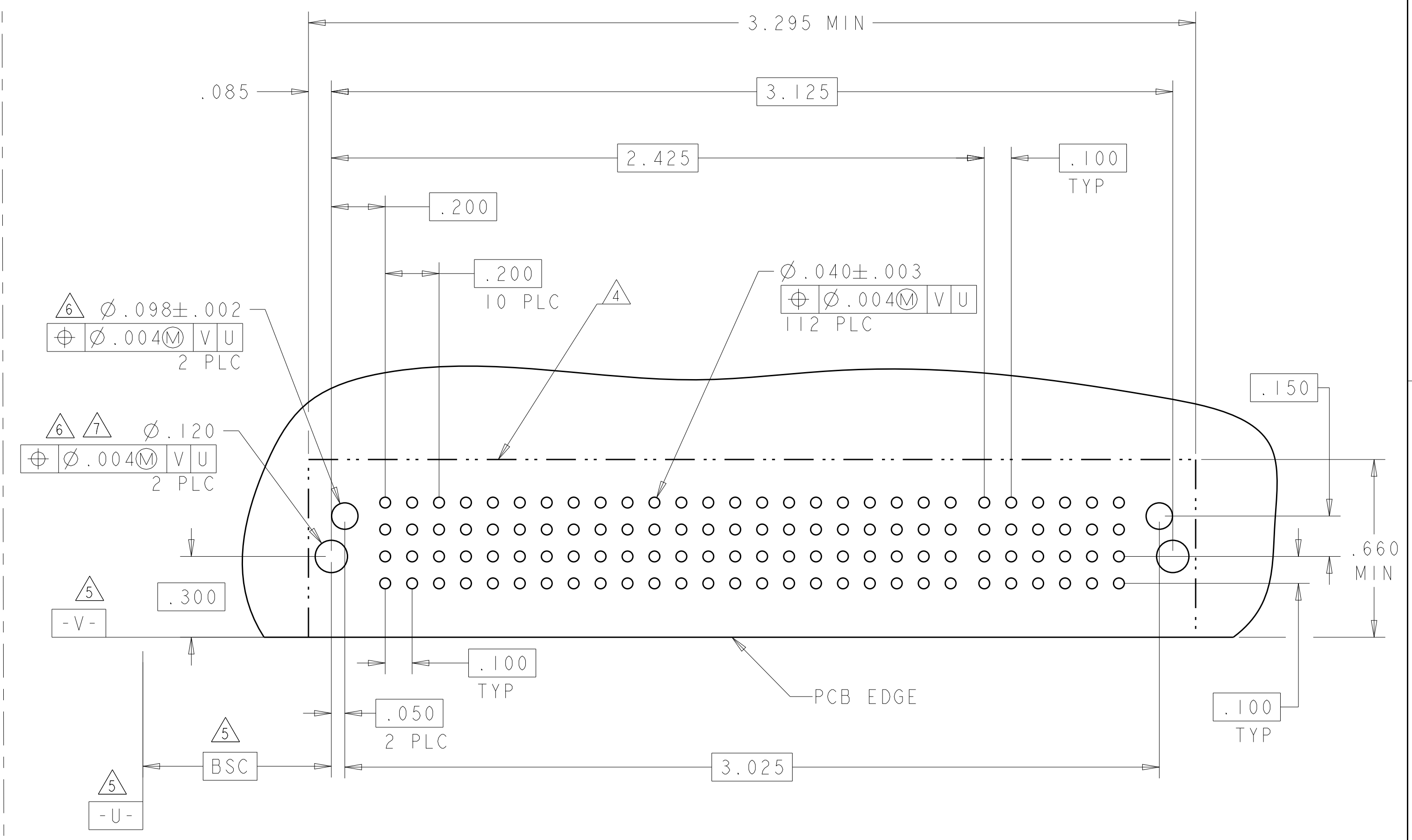
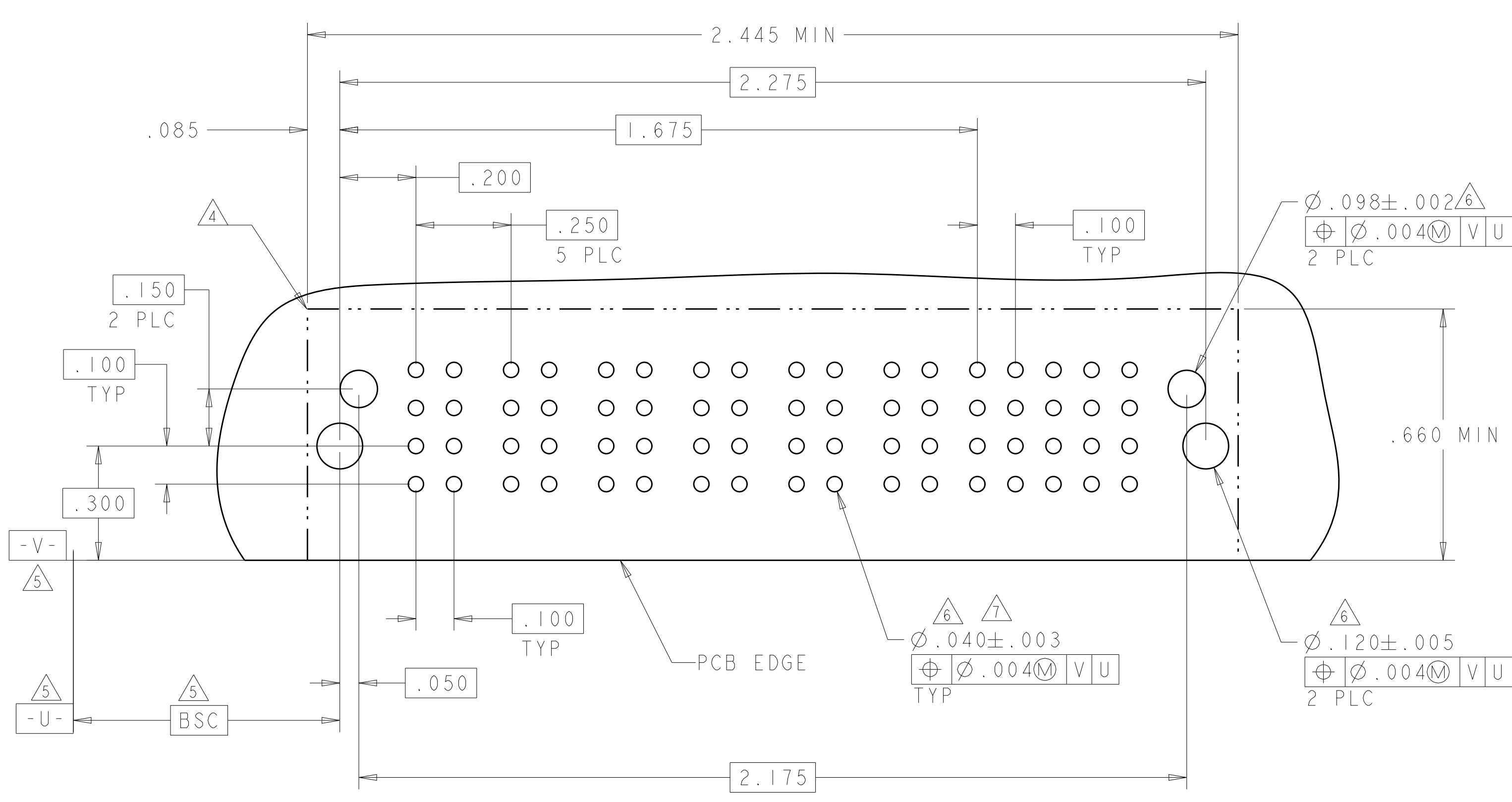
2-6450830-0 AND 2-6450830-5 PCB LAYOUT

THIS DRAWING IS A CONTROLLED DOCUMENT.		OWN: H. LIU 27MAY2008		TE Connectivity
DIMENSIONS: INCHES		CHK: S. ZHAO 27MAY2008		NAME: R/A HEADER WITH SHORT GUIDES AND LP CONTACTS ASSEMBLY
TOLERANCES UNLESS OTHERWISE SPECIFIED:		APVD: S. ZHAO	PRODUCT SPEC: 108-2292	
0 PLC ±.01		PRODUCT SPEC: 114-13251	APPLICATION SPEC: 114-13251	
1 PLC ±.01		SIZE: 114-13251	CAGE CODE: 6450832	
2 PLC ±.01		WEIGHT: -	CUSTOMER DRAWING	
3 PLC ±.005		SCALE: 4:1	SHEET 12 OF 24	
4 PLC ±.002		REV: K6		
ANGLES ±.020				
FINISH: -				

LOC		DIST		REVISIONS			
P	LTN	DESCRIPTION	DATE	DMN	APVD		
-		SEE SHEET 1	-	-	-		

PART NUMBER	ROWS	POWER						SIGNAL						
		P1	P2	P3	P4	P5	P6	1	2	3	4	5		
2-6450832-2	D C B A	HD	TM	TM	TM	TM	TM	TM	J	J	J	J	J	HD
			K	K	K	K	K	K	N	G	N	N	N	
			N	N	N	N	N	N	S	S	S	S	S	
			S	S	S	S	S	S						
6P + 20S														

PART NUMBER	ROWS	POWER										SIGNAL										
		P1	P2	P3	P4	P5	P6	P7	P8	P9	P10	P11	1	2	3	4	5	6				
2-6450832-8	D C B A	HD	TM	TM	TM	TM	TM	TM	TM	TM	TM	TM	TM	TM	J	J	J	J	J	E	HD	
			K	K	K	K	K	K	K	K	K	K	K	K	F	N	N	N	N	N		N
			S	S	S	S	S	S	S	S	S	S	S	S	S							
11HDP + 24S																						

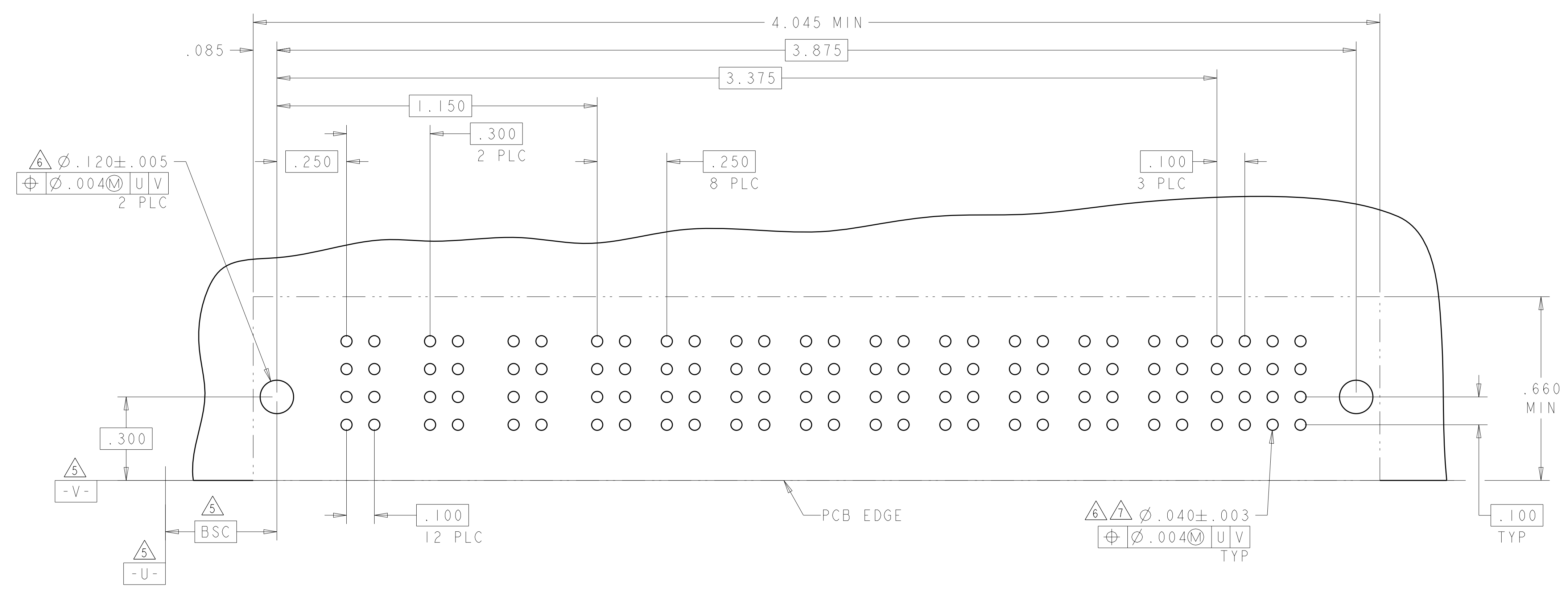


THIS DRAWING IS A CONTROLLED DOCUMENT.

DWN: H.LIU	27MAY2008	 TE Connectivity
CHK: S.ZHAO	27MAY2008	
APVD: S.ZHAO		NAME: R/A HEADER WITH SHORT GUIDES AND LP CONTACTS ASSEMBLY
DIMENSIONS: INCHES		PRODUCT SPEC: 108-2292
TOLERANCES UNLESS OTHERWISE SPECIFIED:		APPLICATION SPEC: 114-13251
0 PLC ±	1 PLC ±.01	SIZE: A100779
2 PLC ±.01	3 PLC ±.01	CAGE CODE: C=6450832
4 PLC ±.005	5 PLC ±.005	RESTRICTED TO: -
6 PLC ±.002	ANGLES ±.020	SCALE: 4:1
MATERIAL:	FINISH:	SHEET: 13 OF 24
CUSTOMER DRAWING		REV: K6

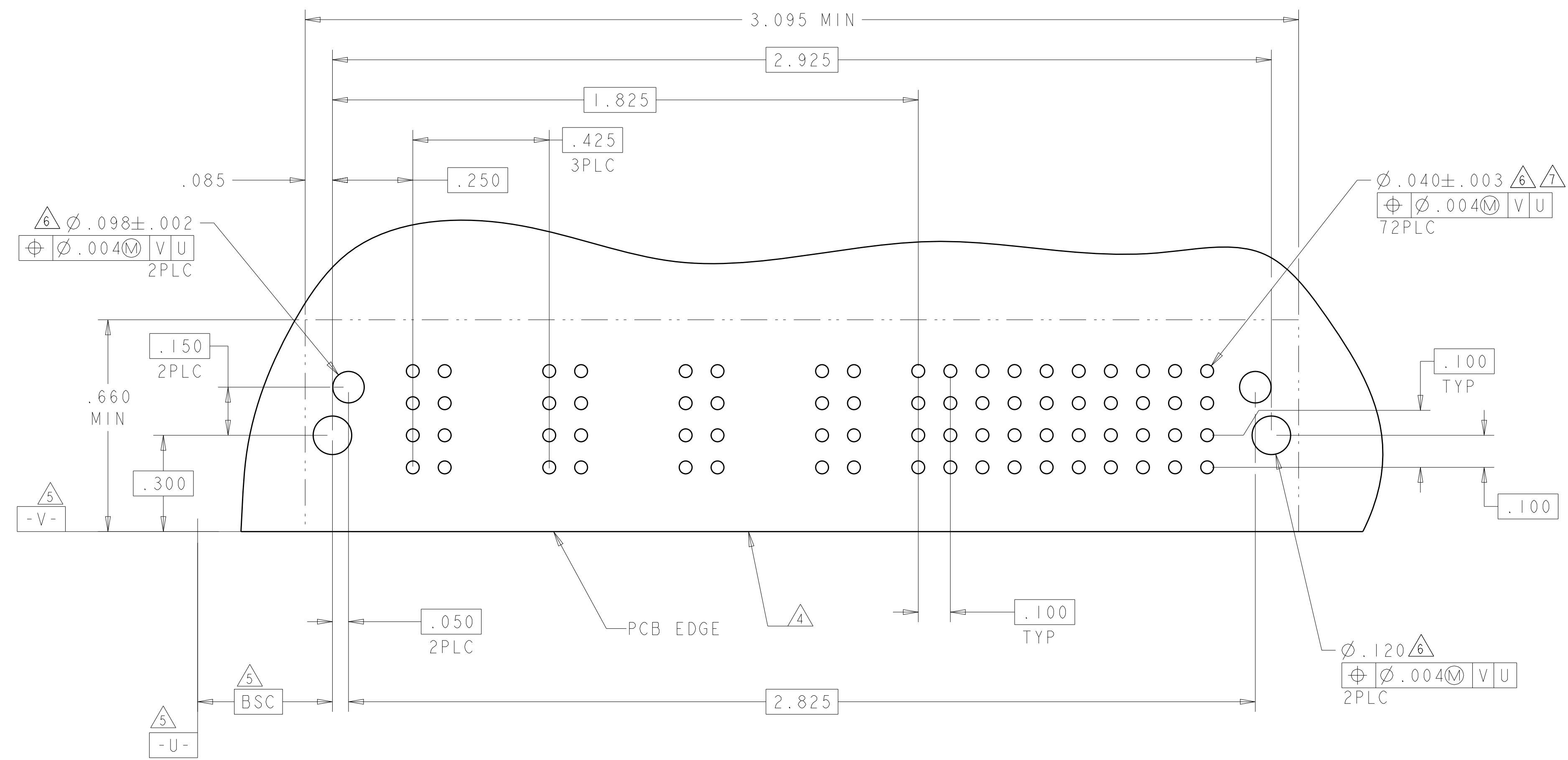
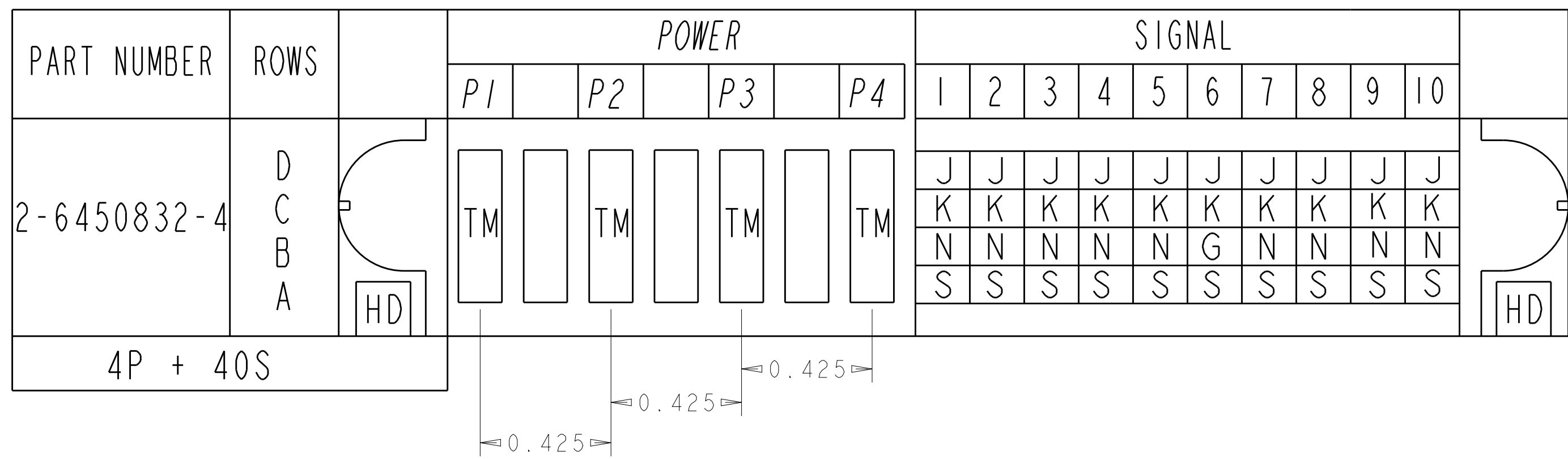
LOC	DIST	REVISIONS			
P	LTH	DESCRIPTION	DATE	DMN	APVD
-	-	SEE SHEET 1	-	-	-

PART NUMBER	ROWS	POWER												SIGNAL			
		P1	P2	P3	P4	P5	P6	P7	P8	P9	P10	P11	P12	1	2	3	4
2-6450832-3	D C B A	PS	PS	PS	PS	PS	PS	PS	PS	PS	PS	PS	PS	J	J	J	J
		PS	PS	PS	PS	PS	PS	PS	PS	PS	PS	PS	PS	K	K	K	K
		PS	PS	PS	PS	PS	PS	PS	PS	PS	PS	PS	PS	N	N	N	N
		PS	PS	PS	PS	PS	PS	PS	PS	PS	PS	PS	PS	S	S	S	H
3ACP + 9P + 16S																	



THIS DRAWING IS A CONTROLLED DOCUMENT.		DMN H. LIU 27MAY2008	TE Connectivity
DIMENSIONS: INCHES		CHK S. ZHAO 27MAY2008	
		APVD S. ZHAO	NAME R/A HEADER WITH SHORT GUIDES AND LP CONTACTS ASSEMBLY MULTI-BEAM XLE
TOLERANCES UNLESS OTHERWISE SPECIFIED:		PRODUCT SPEC 108-2292	SIZE A100779
0 PLC ± 1 PLC ±.01 2 PLC ±.01 3 PLC ±.005 4 PLC ±.0020 ANGLES ±.2°		APPLICATION SPEC 114-13251	RESTRICTED TO
MATERIAL		WEIGHT	SCALE 4:1 SHEET 14 OF 24 REV K6
FINISH		CUSTOMER DRAWING	

LOC	DIST	REVISIONS			
P	LTN	DESCRIPTION	DATE	DMN	APVD
-	-	SEE SHEET 1	-	-	-



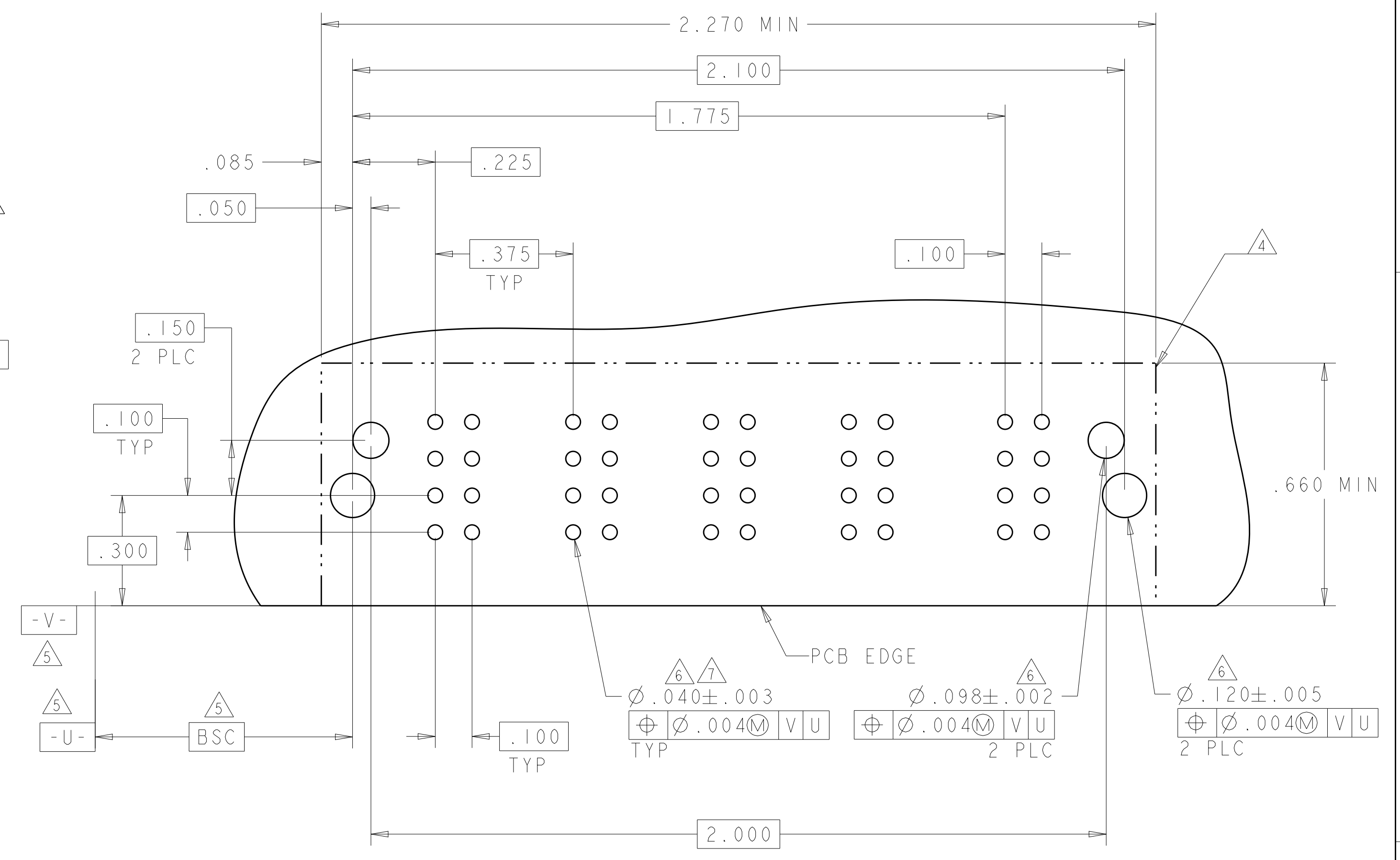
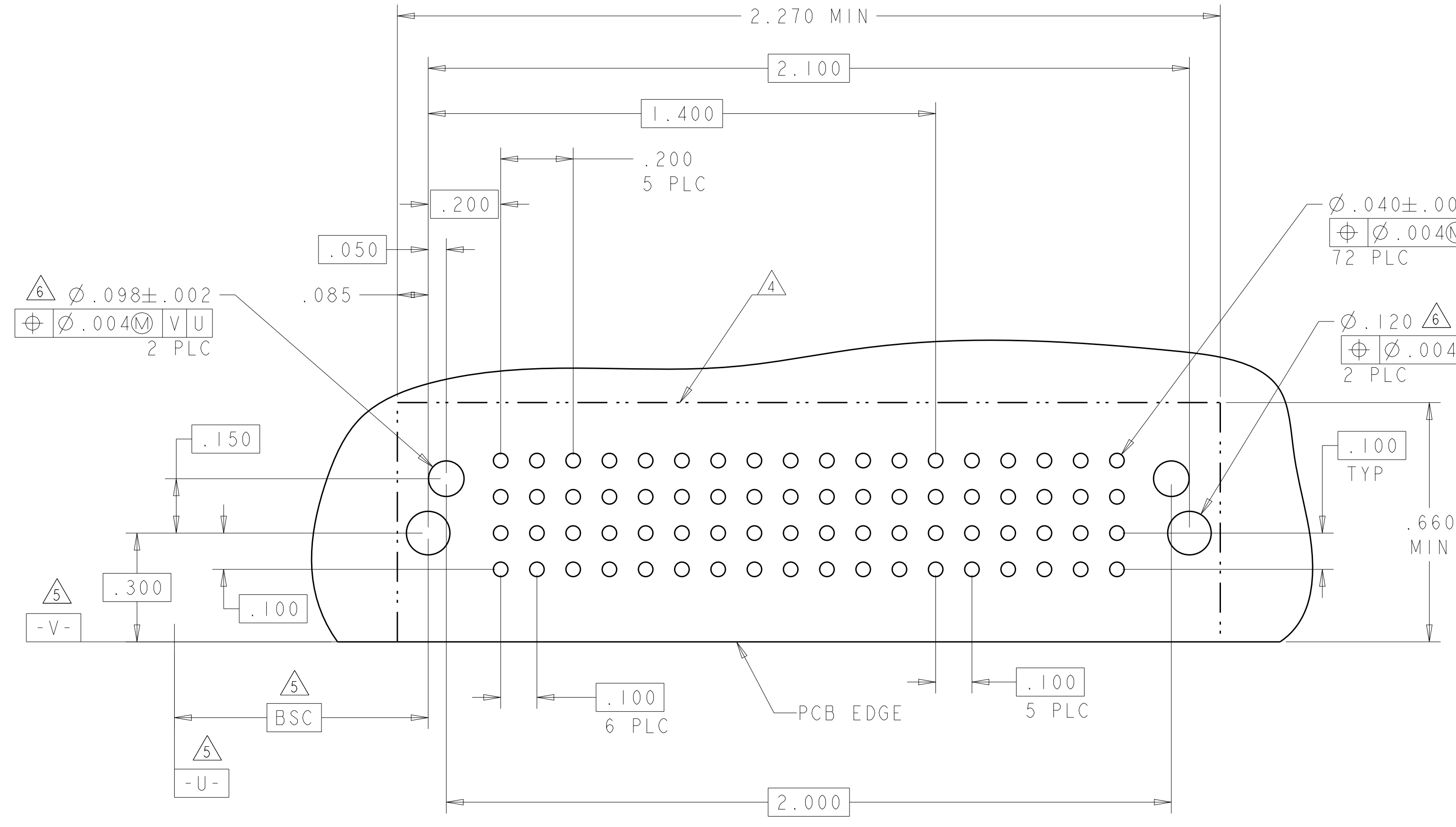
RECOMMENDED PCB LAYOUT BY TE

THIS DRAWING IS A CONTROLLED DOCUMENT.		DMN: H.LIU 27MAY2008	
DIMENSIONS: INCHES		CHK: S.ZHAO 27MAY2008	
TOLERANCES UNLESS OTHERWISE SPECIFIED: 0 PLC ±. 1 PLC ±.01 2 PLC ±.01 3 PLC ±.005 4 PLC ±.0020 ANGLES ±.2°		APVD: S.ZHAO	NAME: R/A HEADER WITH SHORT GUIDES AND LP CONTACTS ASSEMBLY MULTI-BEAM XLE
MATERIAL: FINISH:		PRODUCT SPEC: 108-2292	RESTRICTED TO:
		APPLICATION SPEC: 114-13251	SIZE: A100779
		WEIGHT: -	CAGE CODE: C=6450832
		CUSTOMER DRAWING	SCALE: 4:1 SHEET 15 OF 24 REV: K6

LOC	DIST	REVISIONS			
P	LTN	DESCRIPTION	DATE	DMN	APVD
-	-	SEE SHEET 1	-	-	-

PART NUMBER	ROWS	HD	POWER						SIGNAL						HD
			P1	P2	P3	P4	P5	P6	1	2	3	4	5	6	
2-6450832-6	D	HD	TM	TM	TM	TM	TM	TM	J	J	J	J	J	J	
	C								K	K	K	K	K	K	
	B								N	N	N	N	N	N	
	A								S	S	S	S	S	S	
6HDP + 24S															

PART NUMBER	ROWS	HD	POWER				SIGNAL		HD
			P1	P2	P3	P4	1	2	
3-6450832-0	D	HD	TM	TM	TM	TM	TM	J	E
	C							K	F
	B							N	G
	A							S	H
4ACP + 8S									



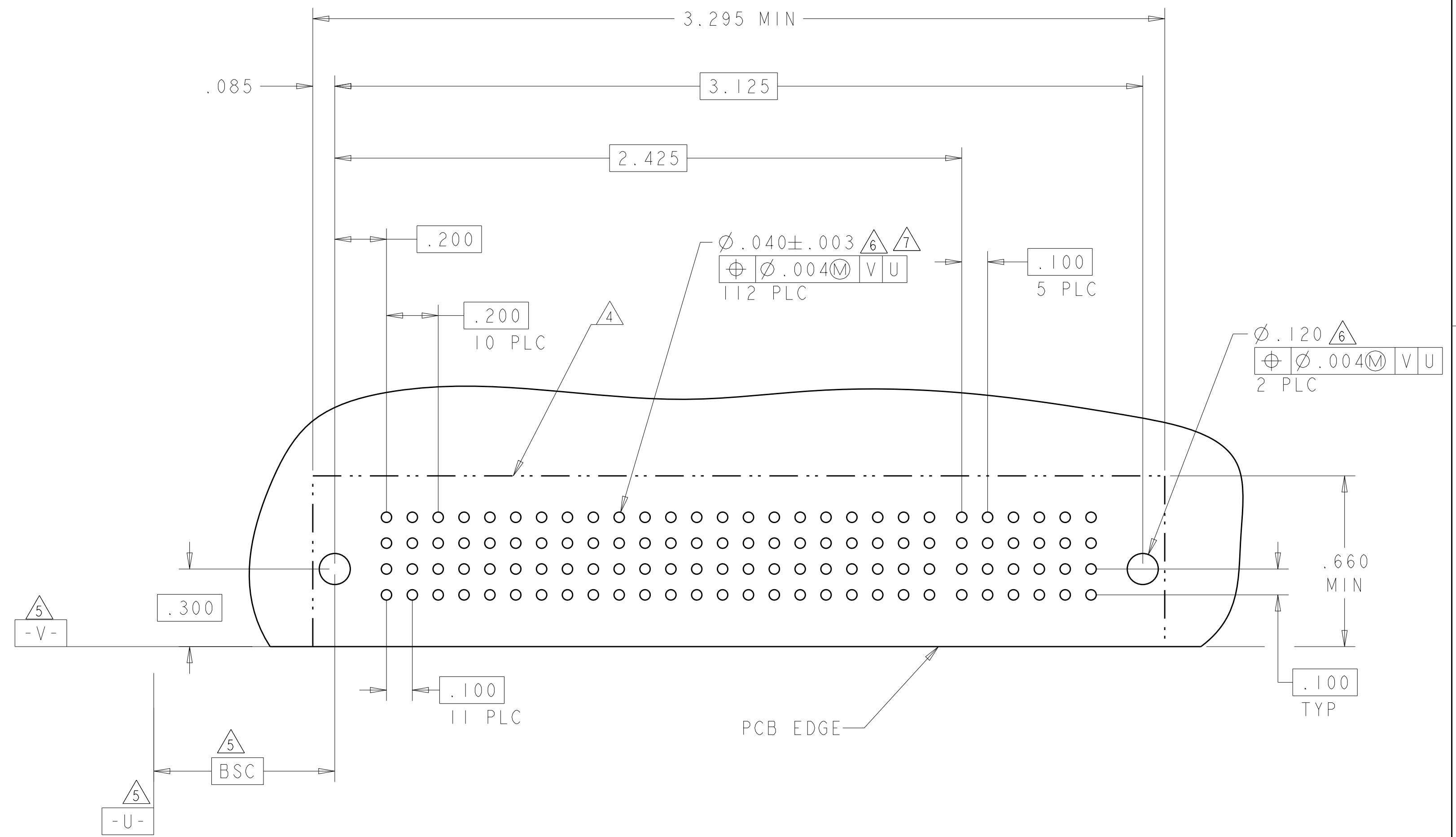
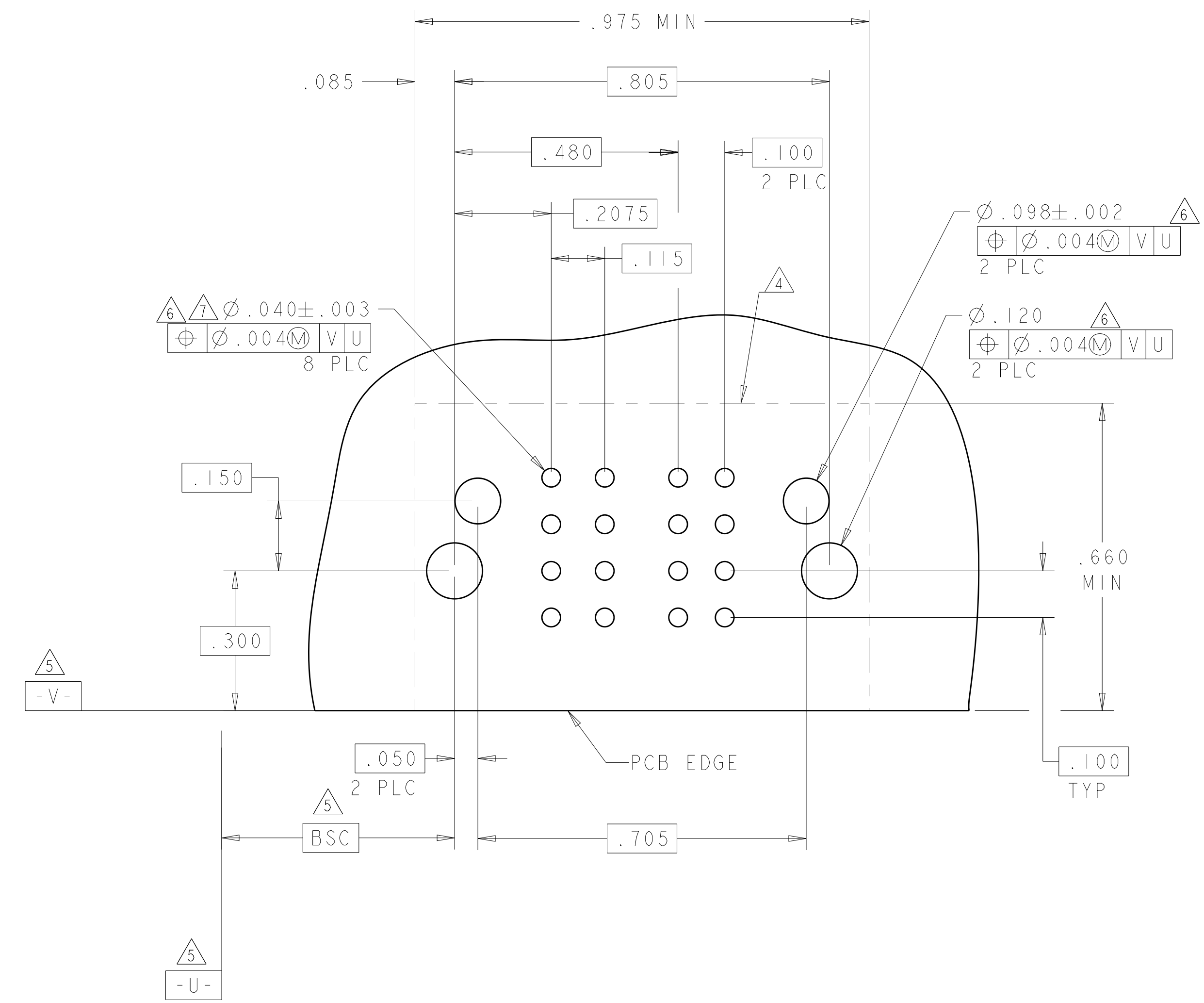
THIS DRAWING IS A CONTROLLED DOCUMENT.

DIMENSIONS:	TOLERANCES UNLESS OTHERWISE SPECIFIED:	OWN: H.LIU 27MAY2008	CHK: S.ZHAO 27MAY2008	TE Connectivity
INCHES	0 PLC ± 2 PLC ±.01 3 PLC ±.05 4 PLC ±.020 ANGLES ±.020	APVD: S.ZHAO	NAME: R/A HEADER WITH SHORT GUIDES AND LP CONTACTS ASSEMBLY MULTI-BEAM XLE	
MATERIAL:	FINISH:	PRODUCT SPEC: 108-2292	APPLICATION SPEC: 114-13251	SIZE: A100779
CUSTOMER DRAWING		SCALE: 4:1	SHEET: 16 OF 24	REV: K6

LOC	DIST	REVISIONS			
P	LTN	DESCRIPTION	DATE	DWN	APVD
-	-	SEE SHEET 1	-	-	-

PART NUMBER	ROWS	POWER		SIGNAL	
		P1	P2	1	2
3-6450832-1	D	LM	LM	J	J
	C			N	N
	B			S	S
	A				
2LP + 8S					

PART NUMBER	ROWS	POWER										SIGNAL					
		P1	P2	P3	P4	P5	P6	P7	P8	P9	P10	P11	1	2	3	4	5
3-6450832-2	D	TM	TM	TM	TM	TM	TM	TM	TM	TM	TM	J	J	J	J	J	E
	C											K	K	K	K	F	
	B											N	N	N	N	N	
	A											S	S	S	S	S	
11HDP + 24S																	

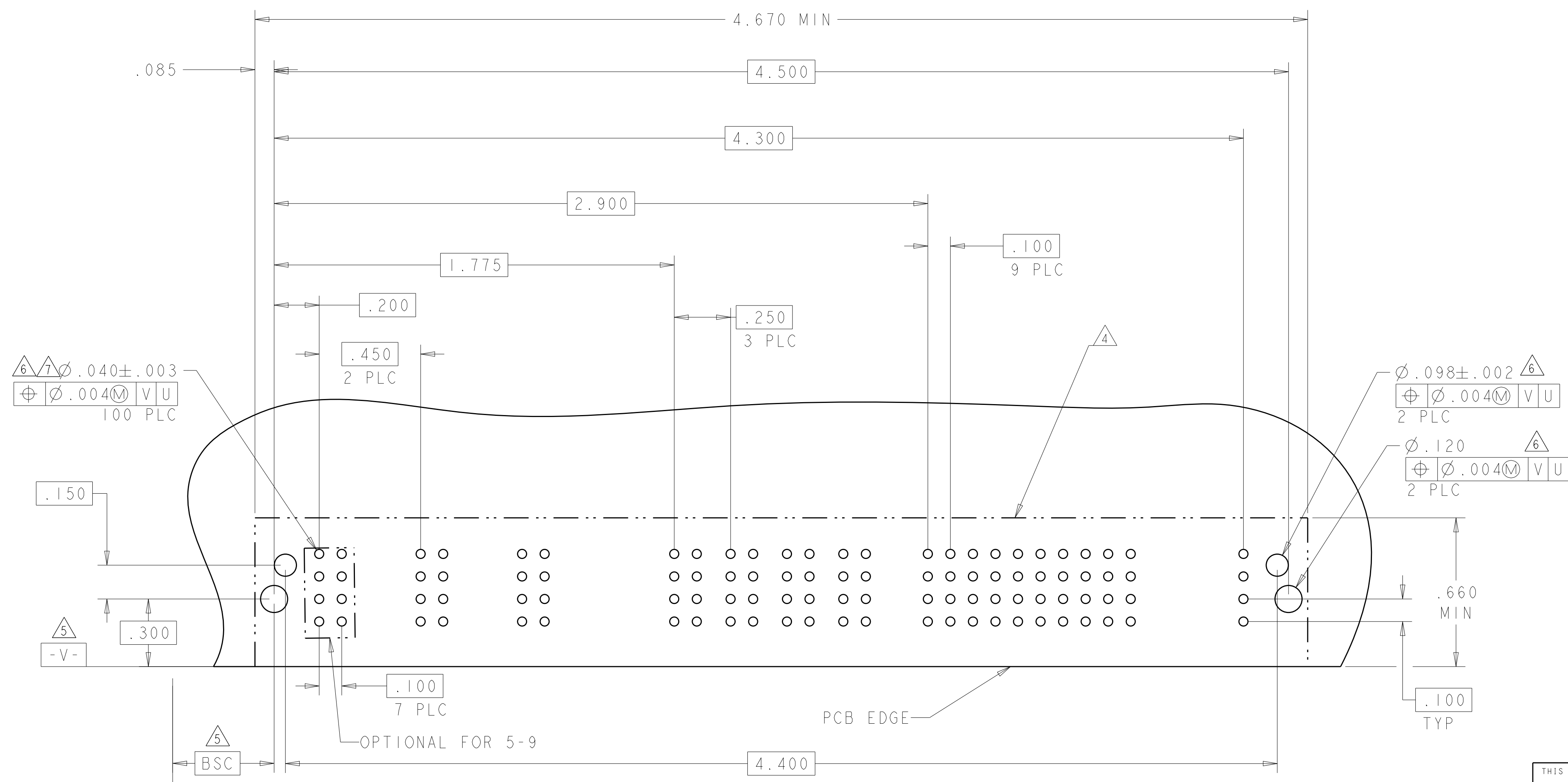
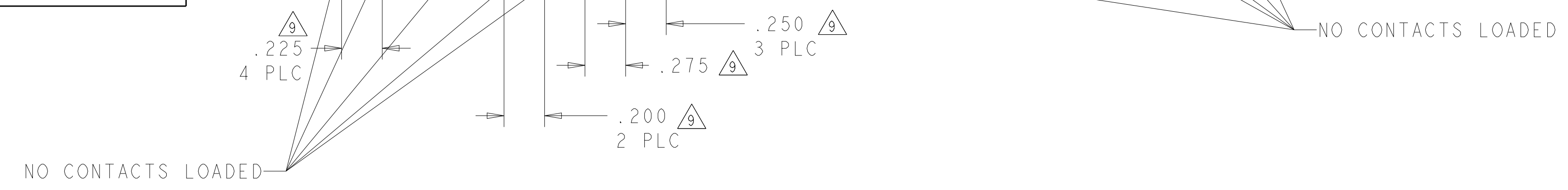


THIS DRAWING IS A CONTROLLED DOCUMENT.		DWN: H. LIU 27MAY2008	TE Connectivity
DIMENSIONS: INCHES		CHK: S. ZHAO 27MAY2008	
TOLERANCES UNLESS OTHERWISE SPECIFIED:		APVD: S. ZHAO	NAME: R/A HEADER WITH SHORT GUIDES AND LP CONTACTS ASSEMBLY MULTI-BEAM XLE
0 PLC ±. 1 PLC ±.01 2 PLC ±.01 3 PLC ±.005 4 PLC ±.0020 ANGLES ±.020		PRODUCT SPEC: 108-2292	SIZE: A1
MATERIAL: FINISH:		APPLICATION SPEC: 114-13251	CAGE CODE: C=6450832
		WEIGHT:	RESTRICTED TO:
		CUSTOMER DRAWING	SCALE: 4:1 SHEET 17 OF 24 REV: K6

LOC	DIST	REVISIONS			
P	LTH	DESCRIPTION	DATE	DWN	APVD
-	-	SEE SHEET 1	-	-	-

ASSY PART NUMBER	ROWS	POWER										SIGNAL																	
		P1	P2	P3	P4	P5	P6	P7	P8	P9	P10	P11	1	2	3	4	5	6	7	8	9	10	11	12	13	14	15	16	
3-6450832-3	DCBA	TM	TM	TM	TM	TM	TM	TM	TM	TM	TM	J	J	J	J	J	J	J	J	J	J	J	J	J	J	J	J	J	J
												N	N	N	N	N	N	N	N	N	N	N	N	N	N	N	N	N	N
												S	S	S	S	S	S	S	S	S	S	S	S	S	S	S	S	S	S

ASSY PART NUMBER	ROWS	POWER										SIGNAL																	
		P1	P2	P3	P4	P5	P6	P7	P8	P9	P10	P11	1	2	3	4	5	6	7	8	9	10	11	12	13	14	15	16	
5-6450832-9	DCBA		TM	TM				TM	TM	TM	TM	J	J	J	J	J	J	J	J	J	J	J	J	J	J	J	J	J	J
												N	N	N	N	N	N	N	N	N	N	N	N	N	N	N	N	N	N
												S	S	S	S	S	S	S	S	S	S	S	S	S	S	S	S	S	S



RECOMMEND PCB LAYOUT FOR 3-6450332-3 AND 5-6450832-9

THIS DRAWING IS A CONTROLLED DOCUMENT.		DWN: H.LIU 27MAY2008	TE Connectivity
DIMENSIONS: INCHES		CHK: S.ZHAO 27MAY2008	
TOLERANCES UNLESS OTHERWISE SPECIFIED: 0 PLC ±. 1 PLC ±.01 2 PLC ±.01 3 PLC ±.005 4 PLC ±.0020 ANGLES ±.2°		NAME: R/A HEADER WITH SHORT GUIDES AND LP CONTACTS ASSEMBLY MULTI-BEAM XLE PRODUCT SPEC: 108-2292 APPLICATION SPEC: SIZE: 114-13251 WEIGHT:	APVD: S.ZHAO CUSTOMER DRAWING
MATERIAL: FINISH:		SCALE: 4:1	SHEET 18 OF 24 REV: K6

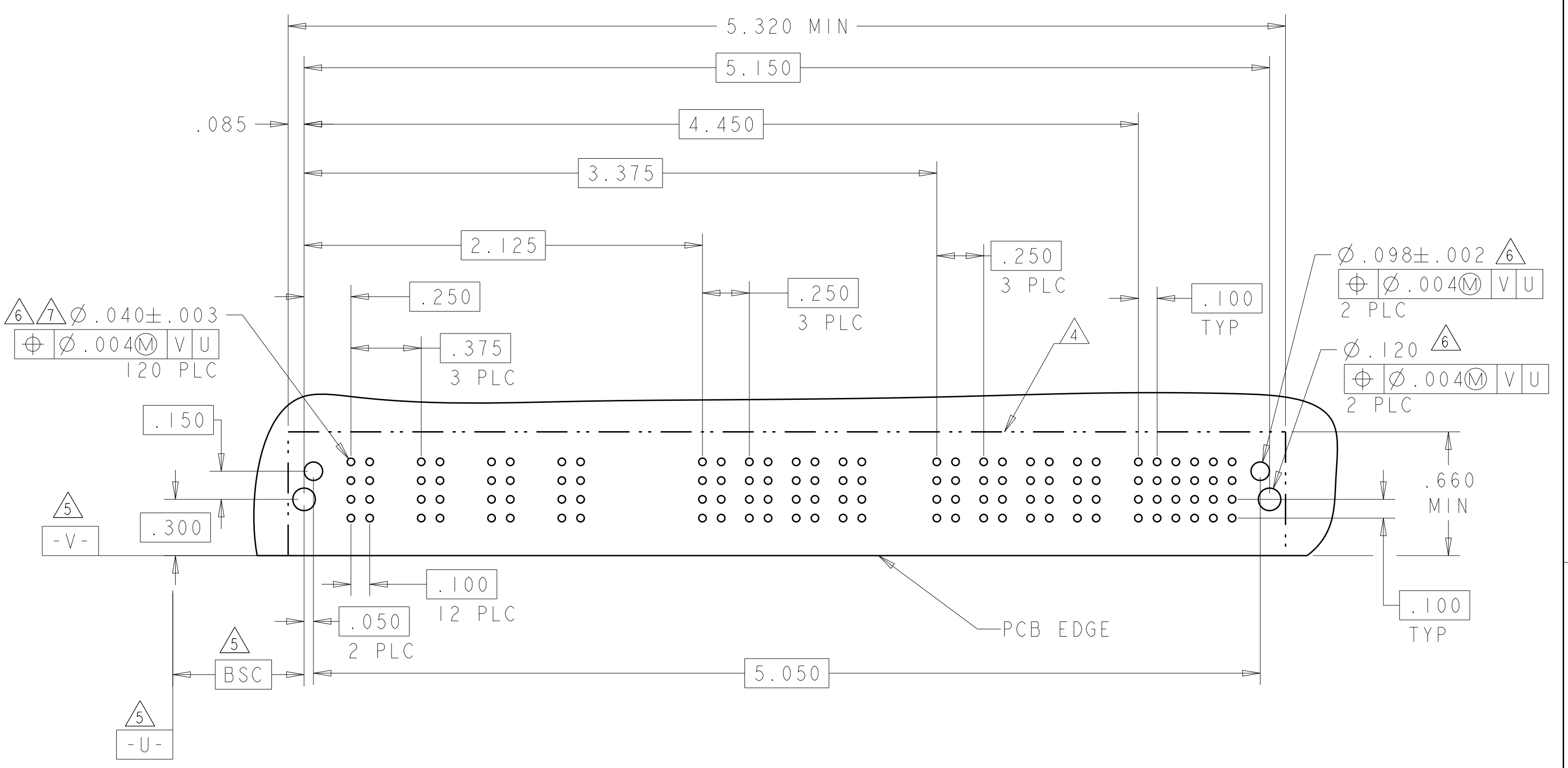
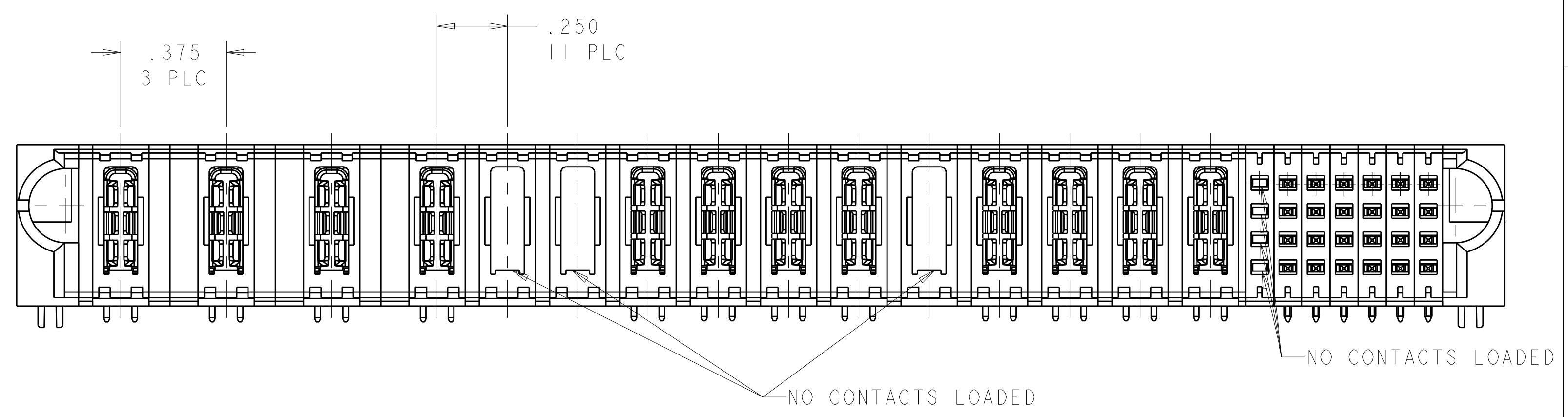
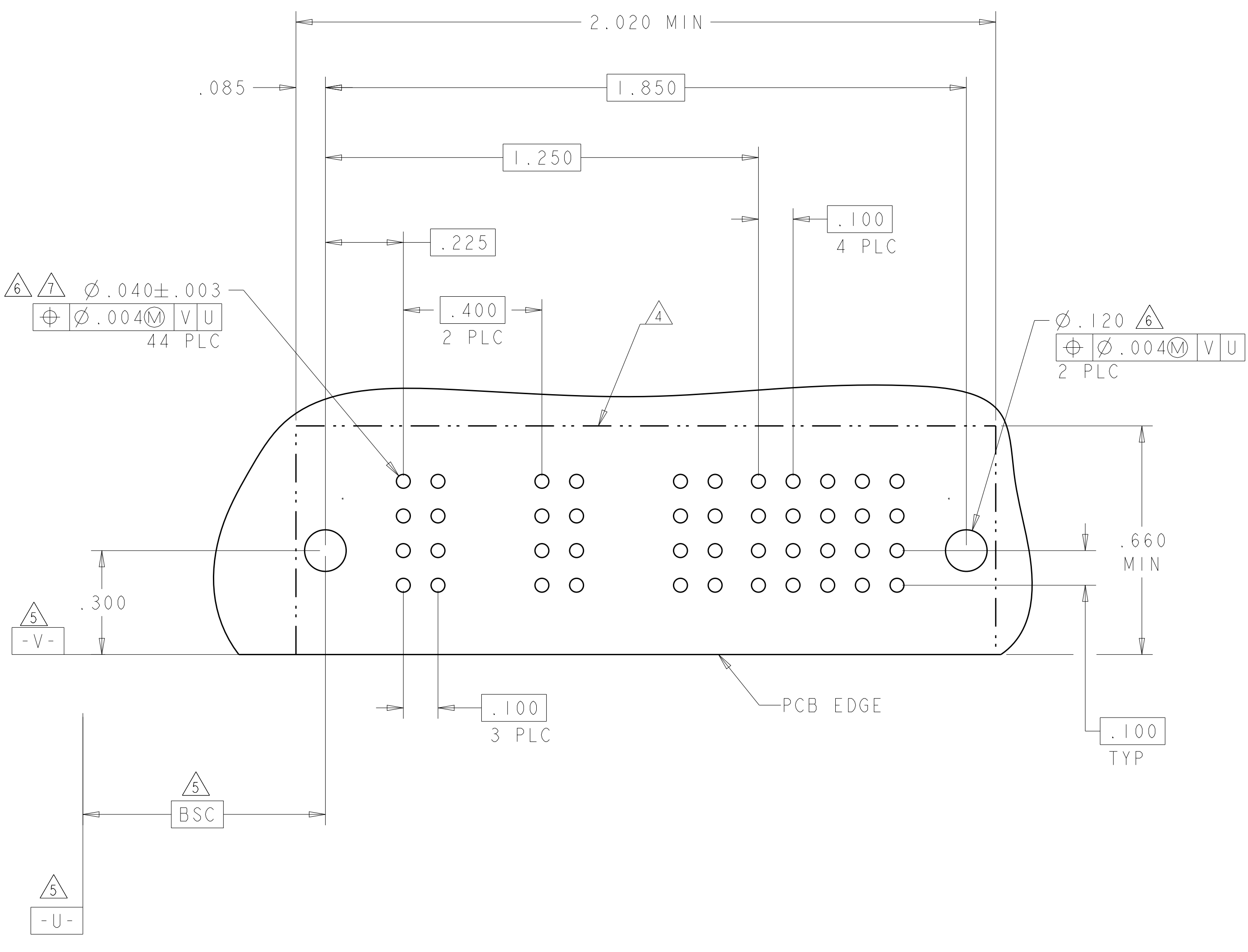
LOC	DIST	REVISIONS					
		P	LTN	DESCRIPTION	DATE	DWN	APVD
		-		SEE SHEET 1			

PART NUMBER	ROWS	POWER					SIGNAL				
		P1	P2	P3	P4	P5	1	2	3	4	5
3-6450832-5	D	TM	TM	TM	TM	J	J	J	J	J	
	C					K	K	K	K	K	
	B					N	N	N	N	N	
	A					H	H	S	S	S	

5HDP + 20S
NO CONTACTS LOADED

PART NUMBER	ROWS	POWER										SIGNAL																			
		P1	P2	P3	P4	P5	P6	P7	P8	P9	P10	P11	P12	P13	P14	P15	1	2	3	4	5	6	7								
3-6450832-6	D	TM	TM	TM	TM	TM	TM	TM	TM	TM	TM	TM	TM	TM	TM	TM	TM	TM	TM	TM	TM	TM	TM	TM	E	E	E	E	E	E	
	C																								F	F	F	F	K	K	K
	B																								N	N	N	N	N	N	N
	A																								H	H	H	H	H	H	H

15P + 28S
NO CONTACTS LOADED



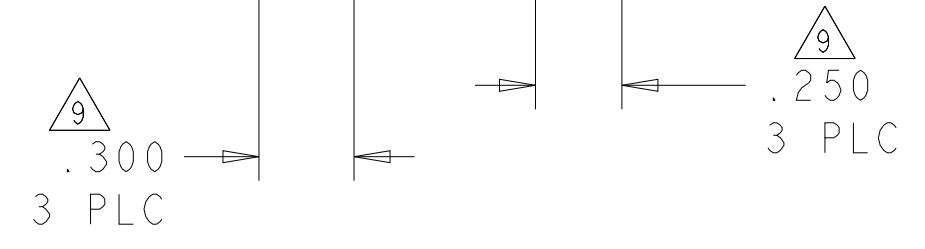
THIS DRAWING IS A CONTROLLED DOCUMENT.

DIMENSIONS:	TOLERANCES UNLESS OTHERWISE SPECIFIED:	DWN: H.LIU 27MAY2008	CHK: S.ZHAO 27MAY2008	REV: S.ZHAO	NAME: R/A HEADER WITH SHORT GUIDES AND LP CONTACTS ASSEMBLY MULTI-BEAM XLE
INCHES:	0 PLC ±.01 1 PLC ±.01 2 PLC ±.01 3 PLC ±.005 4 PLC ±.002 ANGLES ±.020	APVD: S.ZHAO	PRODUCT SPEC: 108-2292	APPLICATION SPEC: 114-13251	SIZE: CAGE CODE DRAWING NO: A100779C=6450832
MATERIAL:	FINISH:	WEIGHT:	CUSTOMER DRAWING	SCALE: 4:1	SHEET 19 OF 24

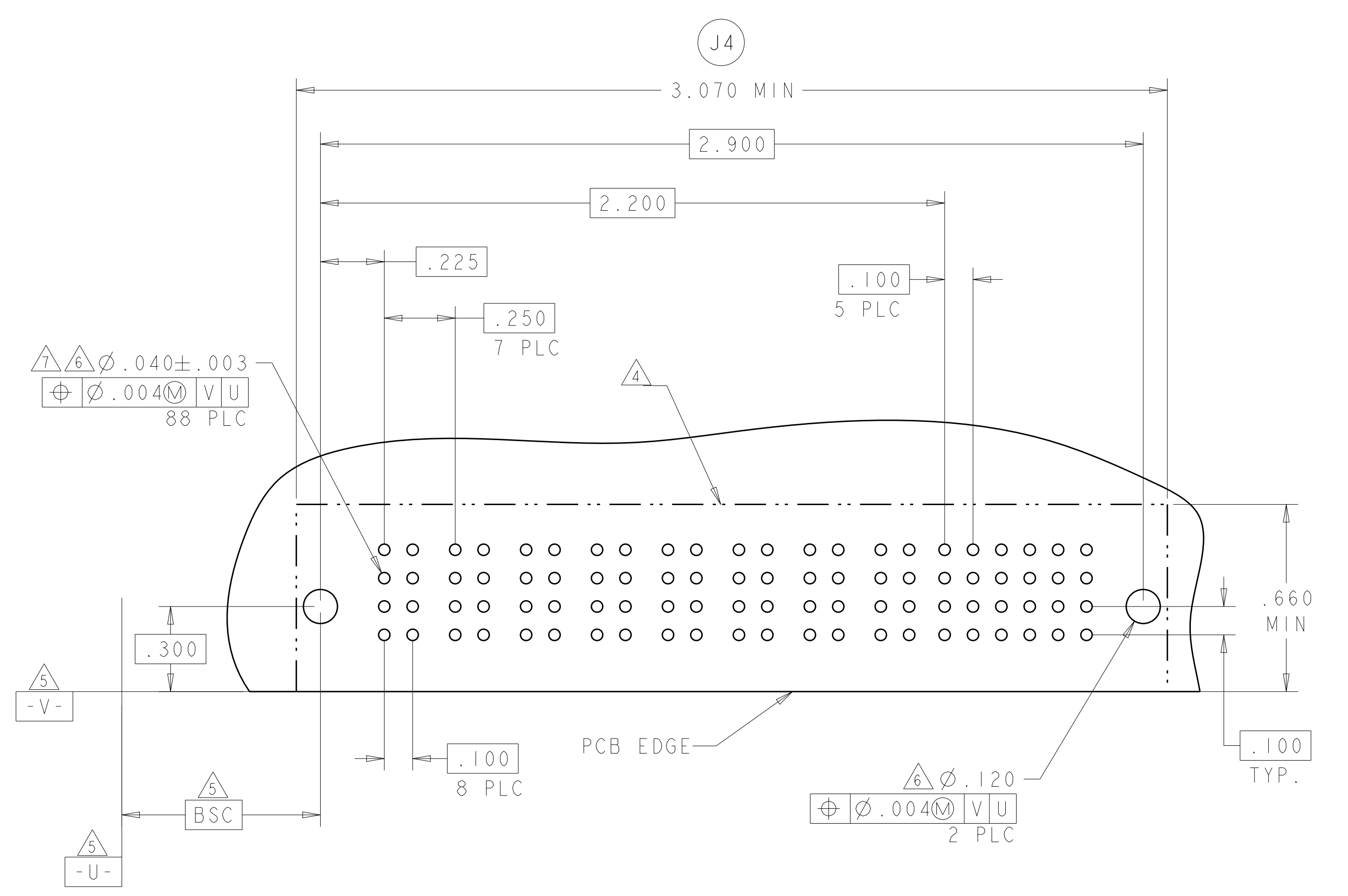
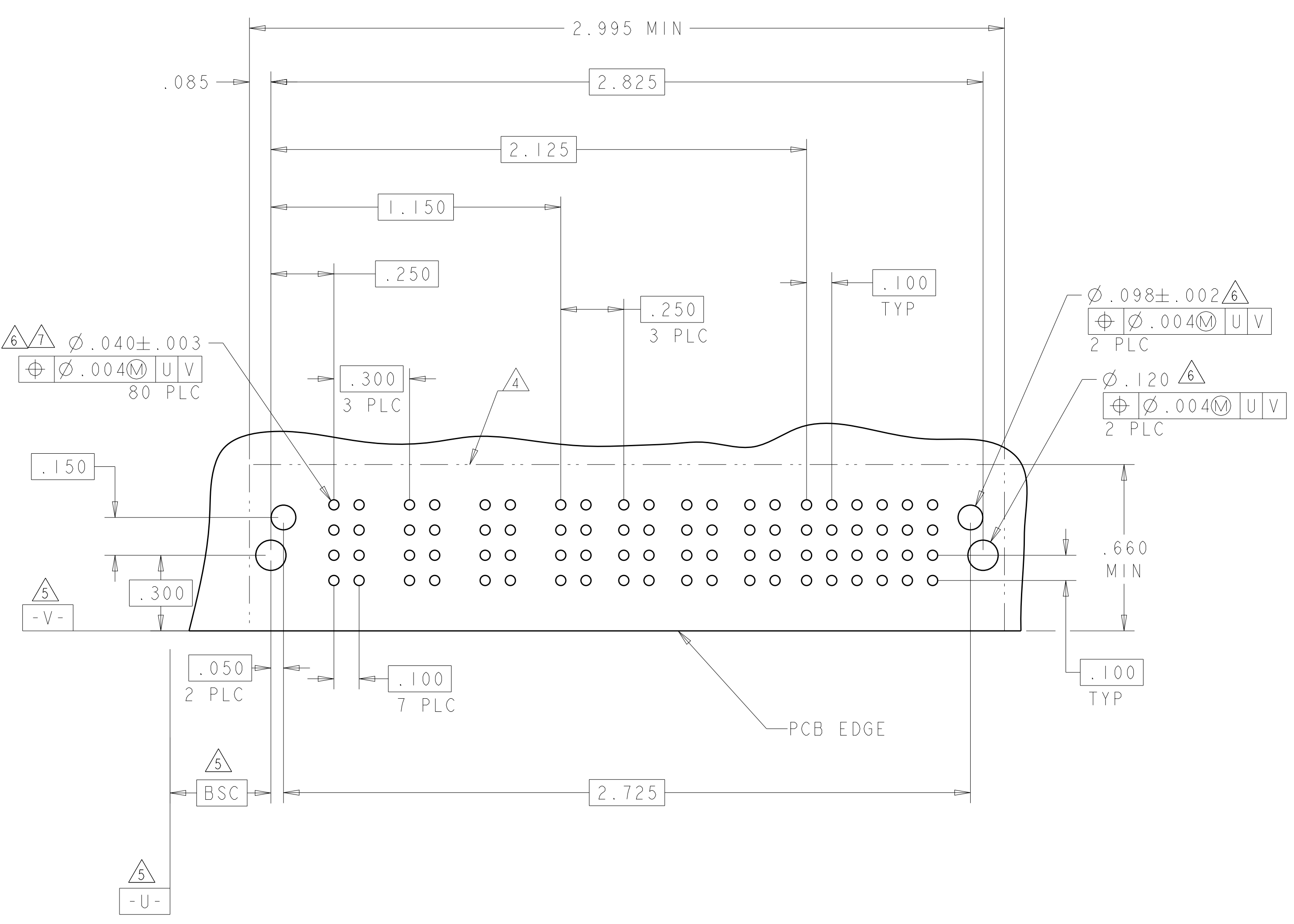
TE Connectivity

LOC		DIST		REVISIONS			
P	LTN	DESCRIPTION	DATE	OWN	APVD		
-	-	SEE SHEET 1	-	-	-		

PART NUMBER	ROWS	POWER							SIGNAL						
		P1	P2	P3	P4	P5	P6	P7	1	2	3	4	5	6	
3-6450832-8	D	TM	TM	TM	TM	TM	TM	TM	E	E	J	J	J	E	
	C								K	F	F	F	K	F	
	B								N	G	G	G	N	G	
A	HD								S	H	S	S	H	H	
3ACP + 4P + 24S															



PART NUMBER	ROWS	POWER								SIGNAL					
		P1	P2	P3	P4	P5	P6	P7	P8	1	2	3	4	5	6
3-6450832-9	D	TM	TM	TM	TM	TM	TM	TM	TM	J	J	E	J	J	E
	C									K	K	K	K	K	K
	B									N	N	G	G	G	G
	A	HD								S	S	S	S	S	S
8HDP + 24S															



THIS DRAWING IS A CONTROLLED DOCUMENT.

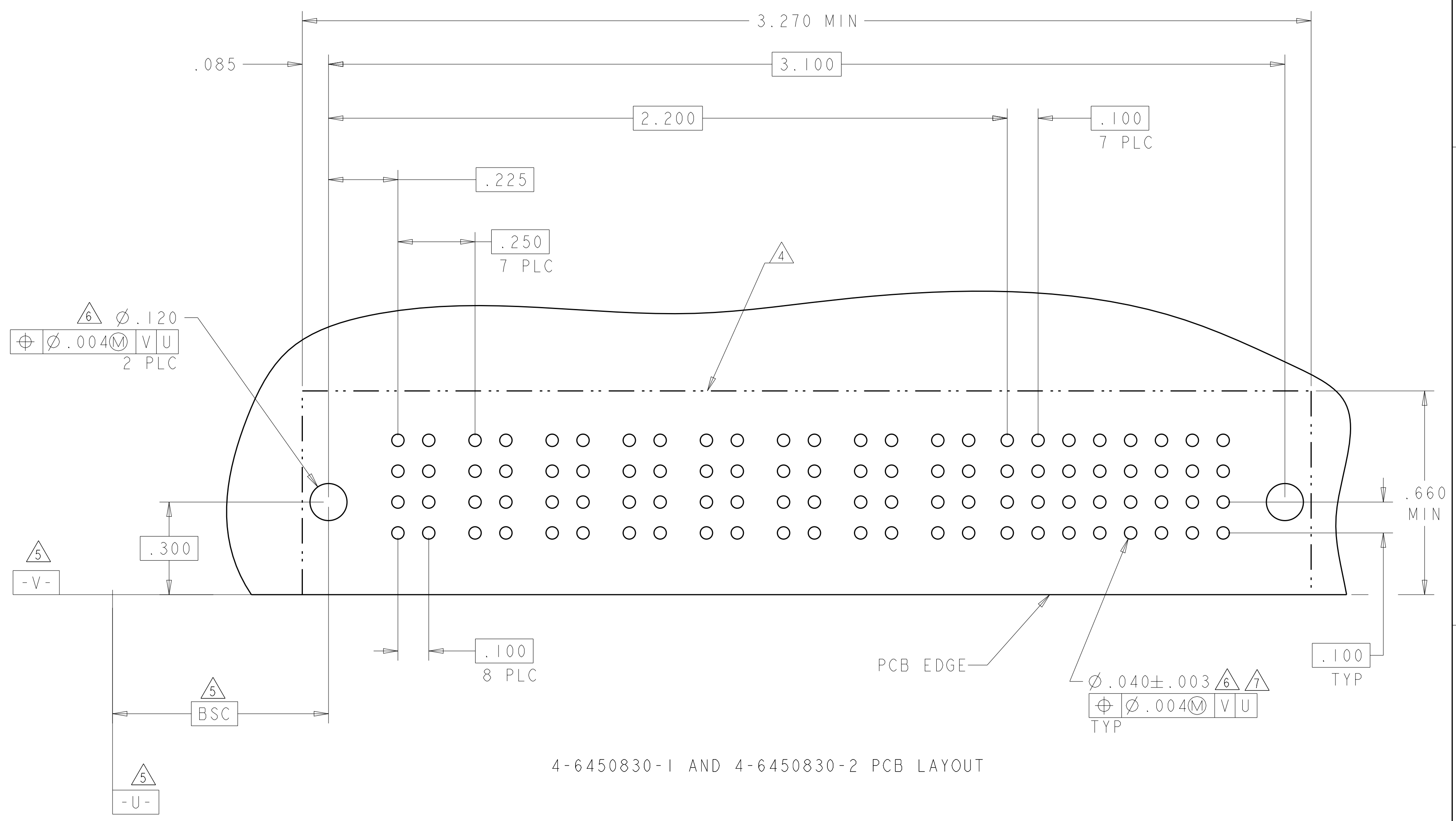
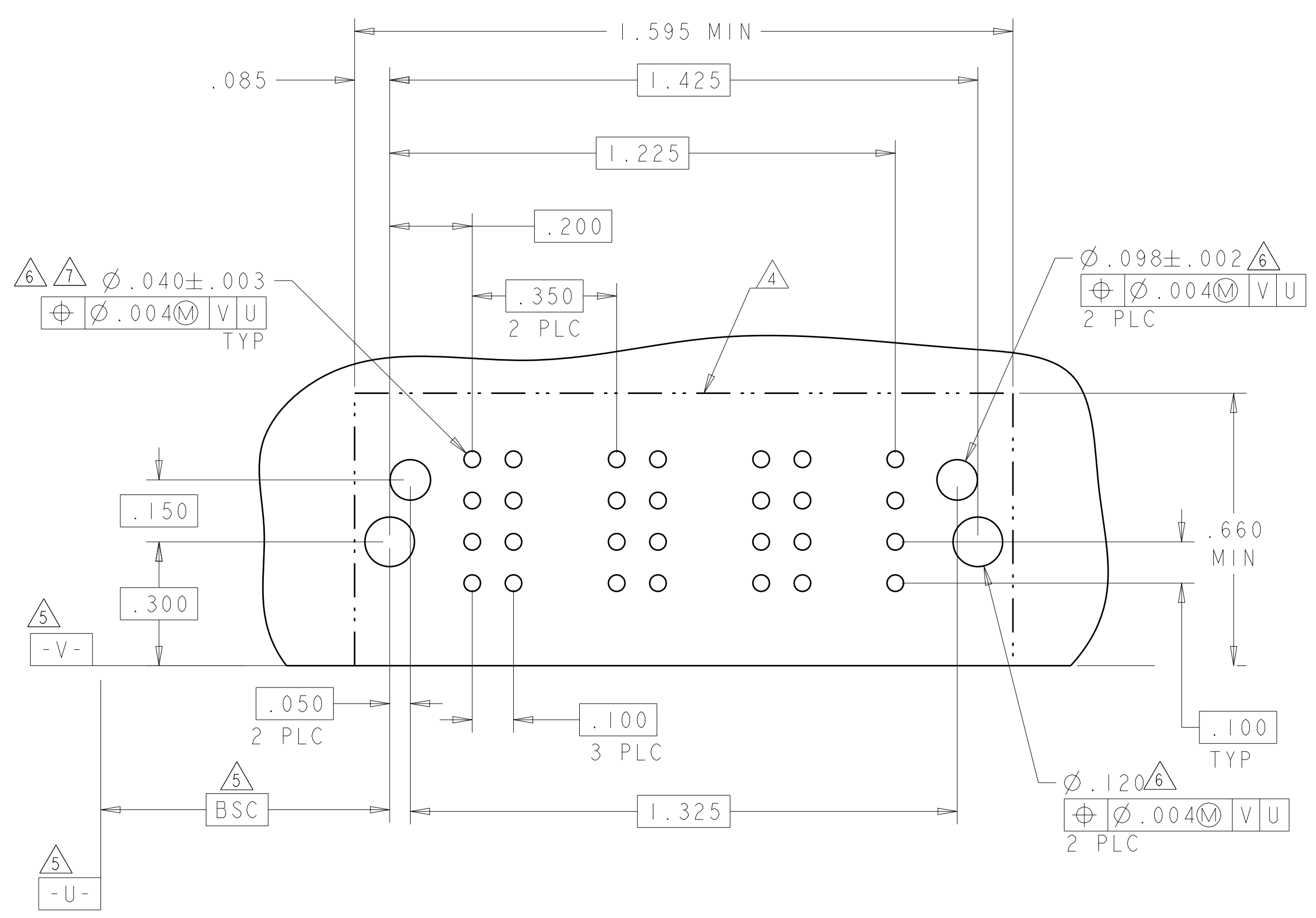
DIMENSIONS:	TOLERANCES UNLESS OTHERWISE SPECIFIED:	OWN	27MAY2008	STE TE Connectivity			
INCHES	0 PLC ±.01	CHK	27MAY2008				
MATERIAL	FINISH	APVD	S. ZHAO	NAME			
		APVD	S. ZHAO		R/A HEADER WITH SHORT GUIDES AND LP CONTACTS ASSEMBLY MULTI-BEAM XLE		
MATERIAL		PRODUCT SPEC	108-2292	SIZE	CAGE CODE	DRAWING NO	RESTRICTED TO
MATERIAL		APPLICATION SPEC	114-13251	SCALE	4:1	SHEET	20 OF 24
MATERIAL		WEIGHT		CUSTOMER DRAWING		REV	K6

LOC		DIST		REVISIONS			
P	LTN	DESCRIPTION	DATE	DMN	APVD		
-	-	SEE SHEET 1	-	-	-		

PART NUMBER	ROWS	POWER			SIGNAL	
		P1	P2	P3	I	
4-6450832-0	D	TM	TM	TM	J	HD
	C				K	
	B				N	
	A				S	
3P + 4S						

PART NUMBER	ROWS	POWER								SIGNAL									
		P1	P2	P3	P4	P5	P6	P7	P8	1	2	3	4	5	6	7	8		
4-6450832-1	D	TM	TM	TM	TM	TM	TM	TM	TM	J	J	J	J	J	J	J	J		
	C									K	K	K	K	K	K	K	K	K	
	B									N	N	N	N	N	N	N	N	N	N
	A									S	S	S	S	S	S	S	S	S	S
8P + 32S																			

PART NUMBER	ROWS	POWER								SIGNAL							
		P1	P2	P3	P4	P5	P6	P7	P8	1	2	3	4	5	6	7	8
4-6450832-2	D	TM	TM	TM	TM	TM	TM	TM	TM	J	J	J	J	J	J	J	J
	C									K	K	K	F	K	K	K	
	B									N	N	N	N	N	N	N	
	A									S	S	S	S	S	S	S	
8P + 32S																	



4-6450830-1 AND 4-6450830-2 PCB LAYOUT

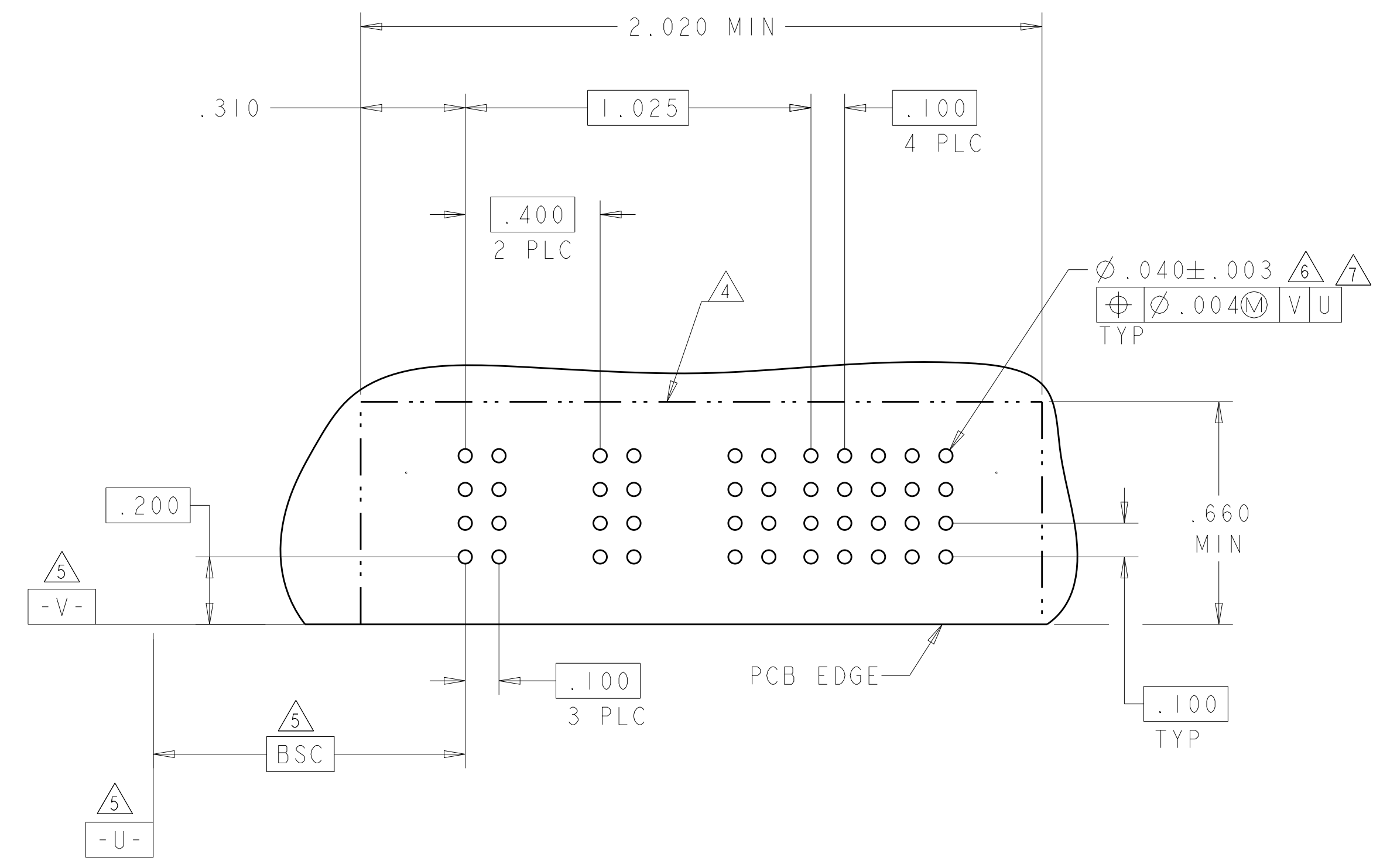
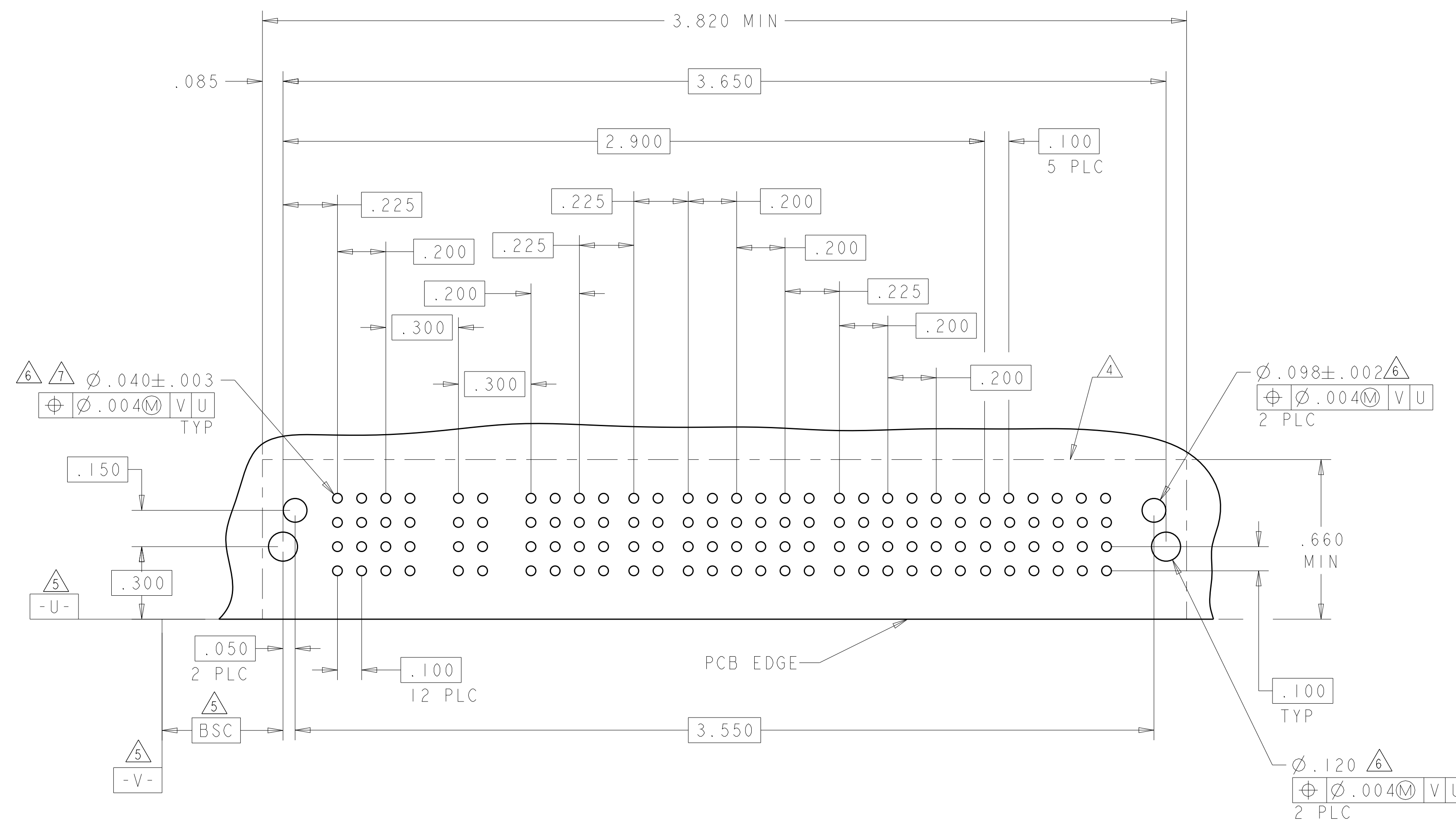
THIS DRAWING IS A CONTROLLED DOCUMENT.		DMN: H.LIU 27MAY2008		TE Connectivity
DIMENSIONS: INCHES		CHK: S.ZHAO 27MAY2008		
TOLERANCES UNLESS OTHERWISE SPECIFIED:		APVD: S.ZHAO	NAME: R/A HEADER WITH SHORT GUIDES AND LP CONTACTS ASSEMBLY	
0 PLC ±.01		PRODUCT SPEC	MULTI-BEAM XLE	
1 PLC ±.01		108-2292	SIZE: CAGE CODE DRAWING NO	
2 PLC ±.01		APPLICATION SPEC	RESTRICTED TO	
3 PLC ±.005		114-13251	A100779C=6450832	
4 PLC ±.002		WEIGHT	SCALE: 4:1 SHEET 21 OF 24 REV: K6	
ANGLES ±.020		CUSTOMER DRAWING		
FINISH				

LOC	DIST	REV	DATE	BY	APPV
		1			
		2			

PART NUMBER	ROWS	POWER												SIGNAL						
		P1	P2	P3	P4	P5	P6	P7	P8	P9	P10	P11	P12	1	2	3	4	5	6	
4-6450832-3	D																			
	C																			
	B	TM	TM	TM	TM	TM	TM	TM	TM	TM	TM	TM	TM							
	A	HD																		

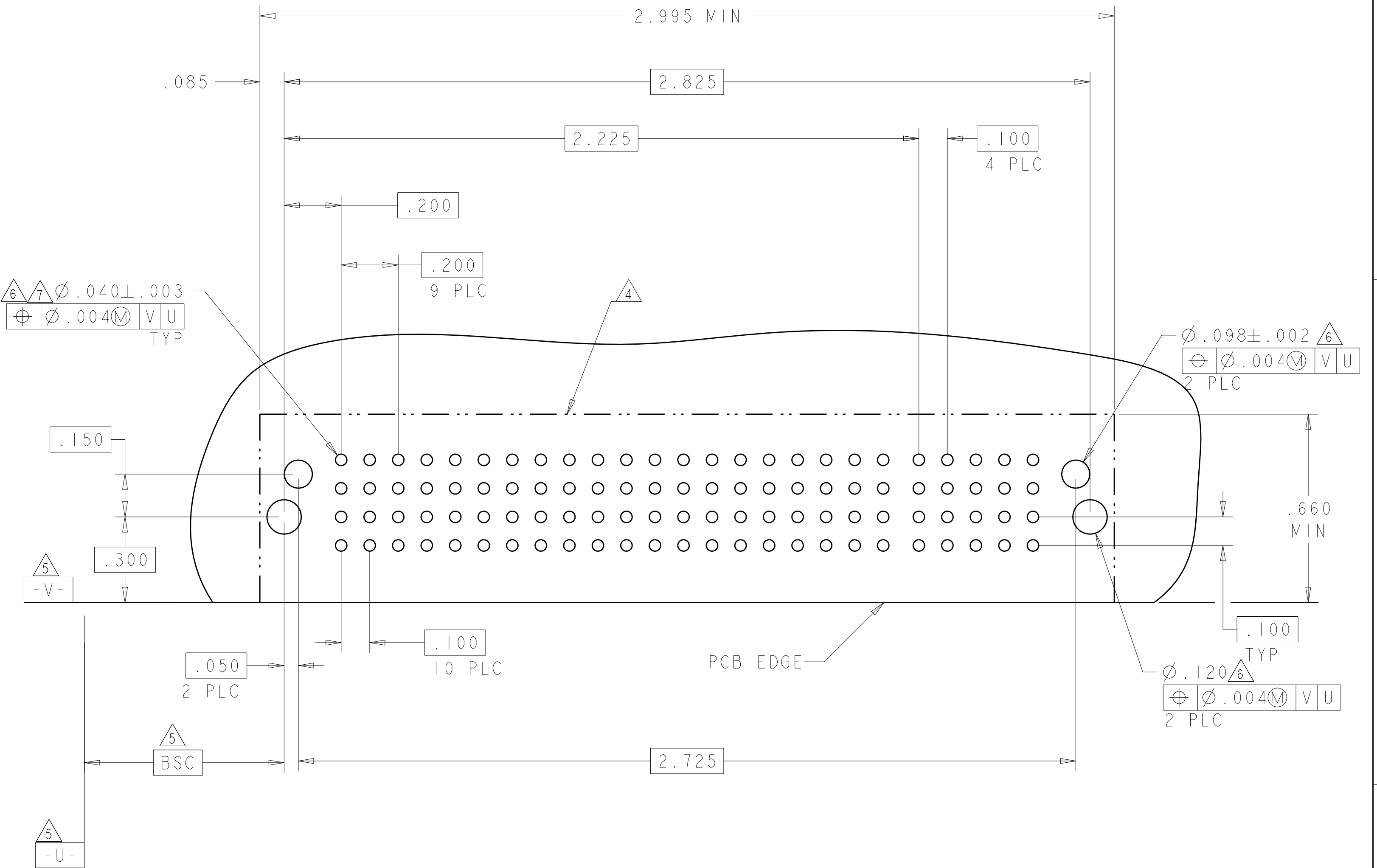
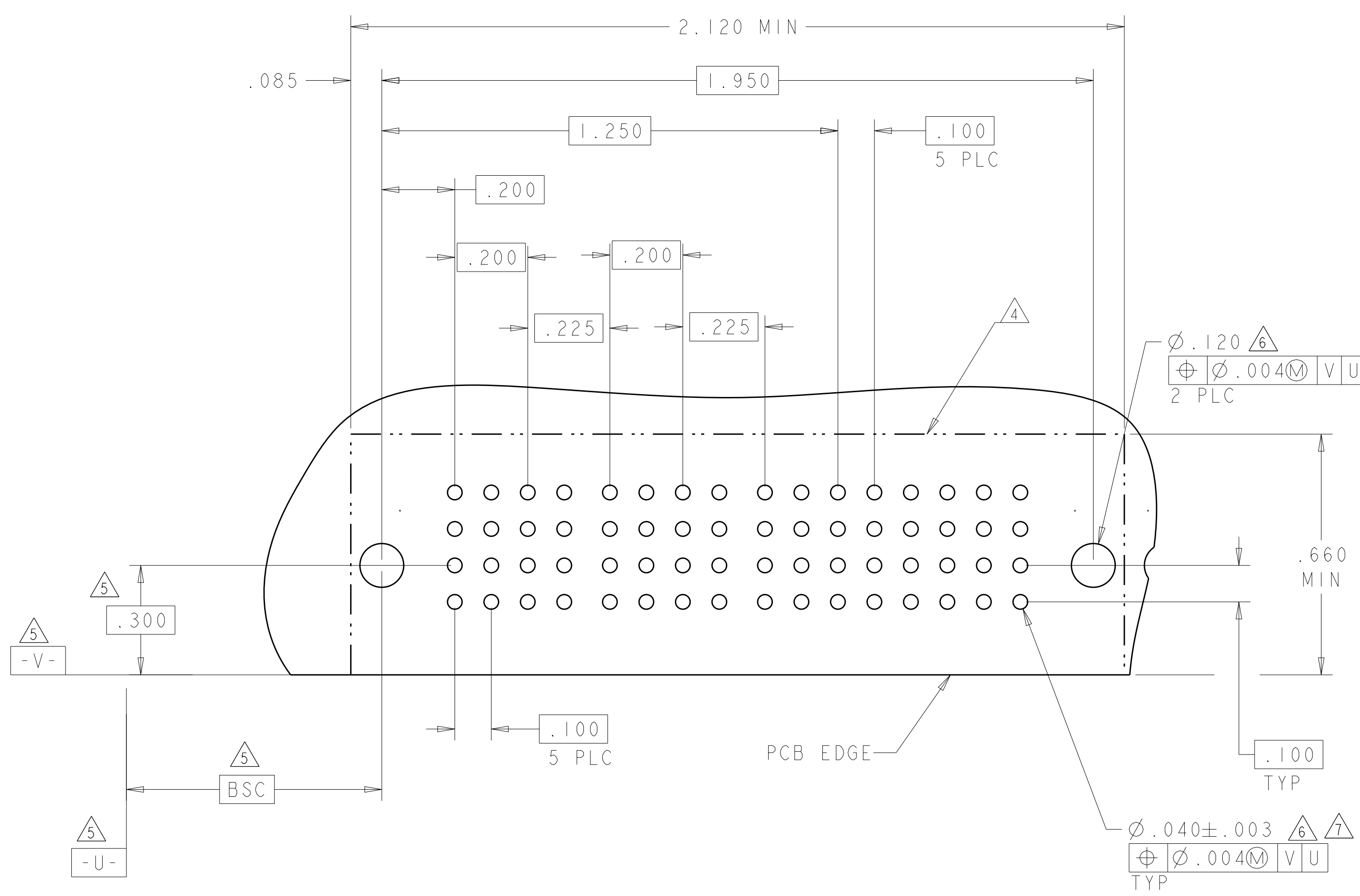
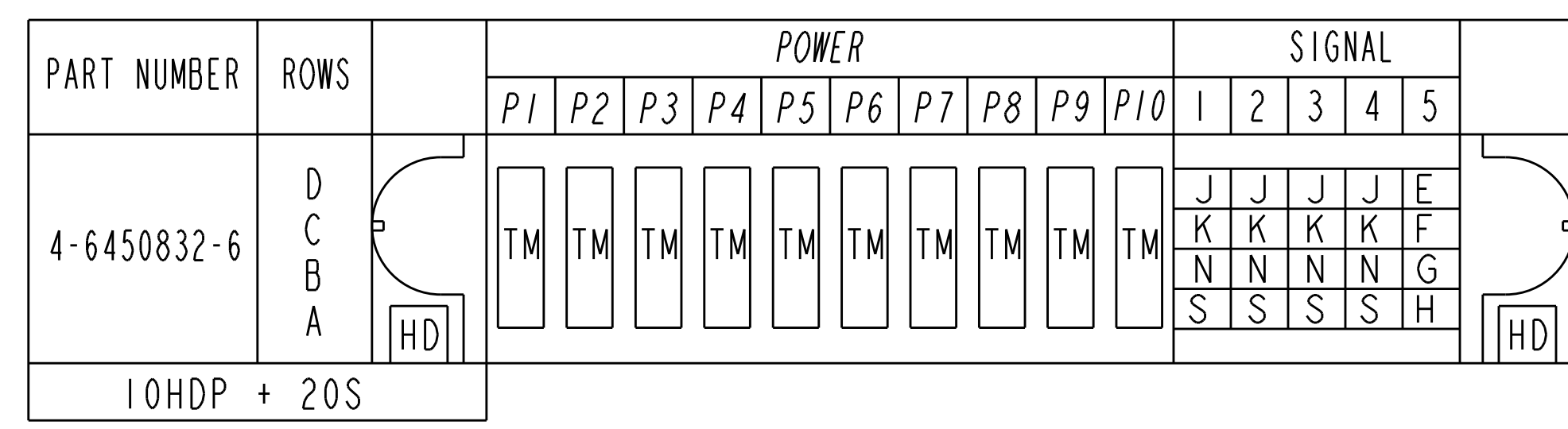
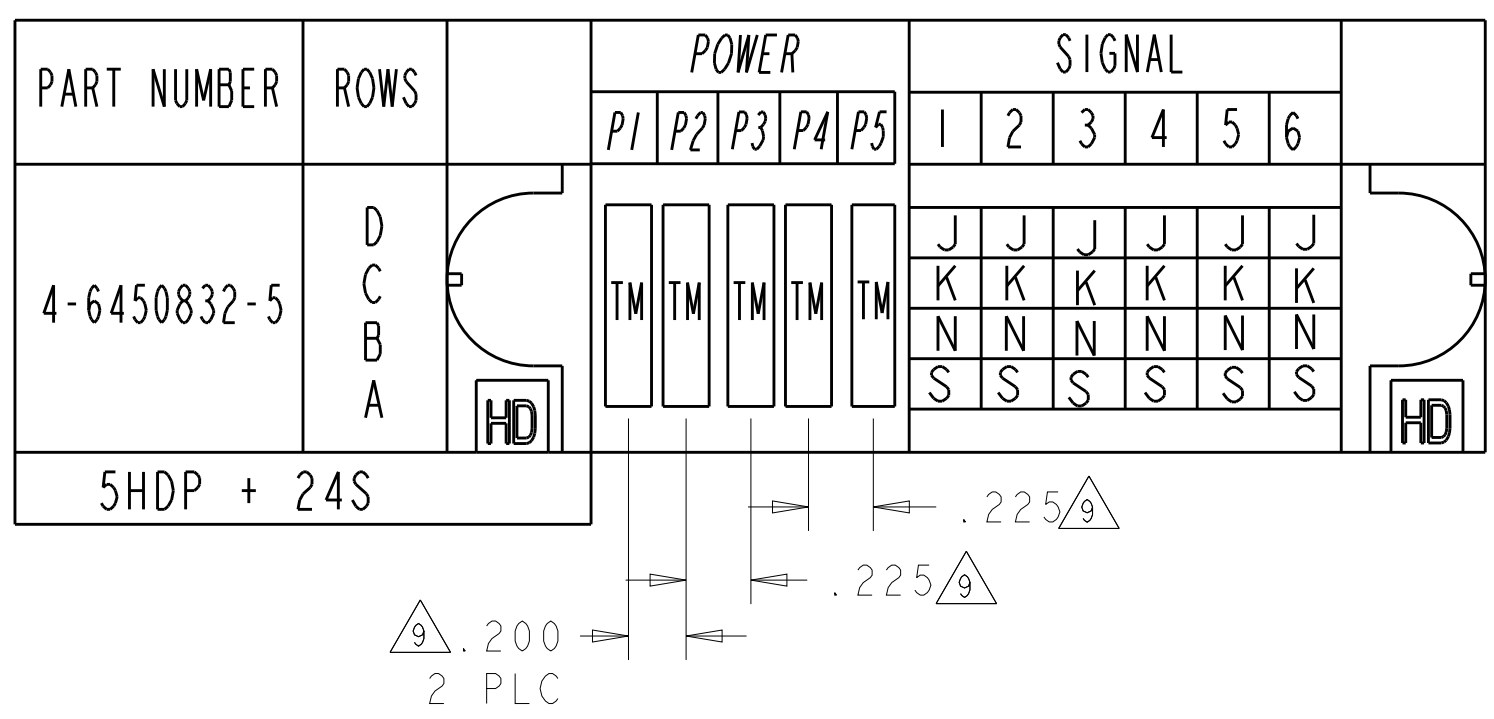
PART NUMBER	ROWS	POWER					SIGNAL													
		P1	P2	P3	P4	P5	1	2	3	4	5									
4-6450832-4	D																			
	C																			
	B	TM		TM		TM					J	J	J	J	J					
	A	HD									K	K	K	K	K	N	N	N	N	N

5HDP + 20S
NO CONTACTS LOADED



THIS DRAWING IS A CONTROLLED DOCUMENT.		OWN: H.LIU 27MAY2008		TE Connectivity
DIMENSIONS: INCHES		CHK: S.ZHAO 27MAY2008		NAME: R/A HEADER WITH SHORT GUIDES AND LP CONTACTS ASSEMBLY MULTI-BEAM XLE
TOLERANCES UNLESS OTHERWISE SPECIFIED:		APVD: S.ZHAO	PRODUCT SPEC: 108-2292	
0 PLC ± .01		APPLICATION SPEC: 114-13251		SIZE: A1
1 PLC ± .01		WEIGHT: -		CAGE CODE: C=6450832
2 PLC ± .01		CUSTOMER DRAWING		SCALE: 4:1
3 PLC ± .005		SHEET: 22		OF: 24
4 PLC ± .002		REV: K6		
ANGLES: ± 0.020				
FINISH: #2				

LOC	DIST	REVISIONS			
P	LTM	DESCRIPTION	DATE	DWN	APVD
-	-	SEE SHEET 1	-	-	-



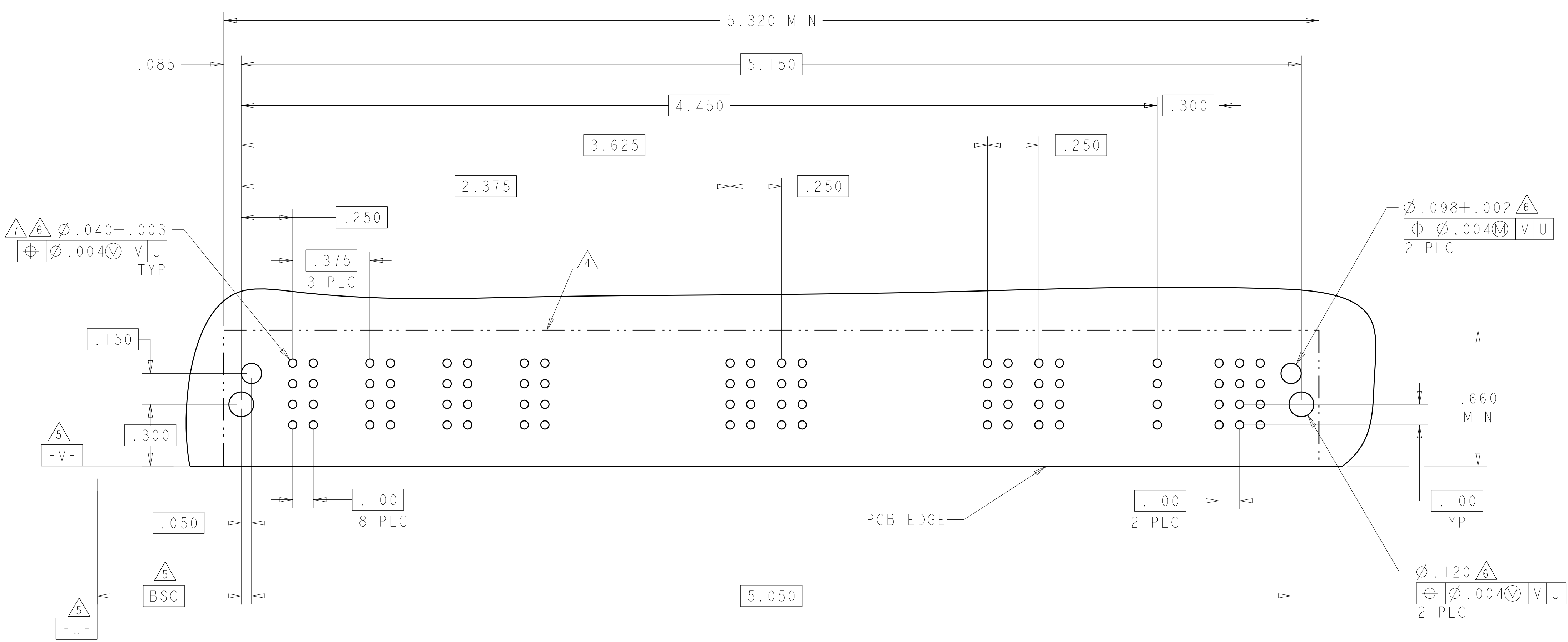
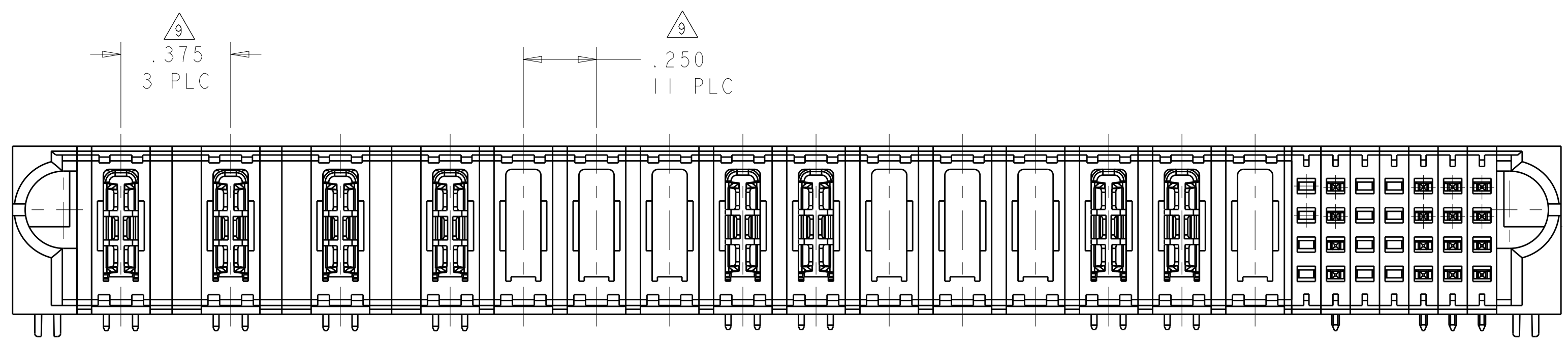
THIS DRAWING IS A CONTROLLED DOCUMENT.

DIMENSIONS:	TOLERANCES UNLESS OTHERWISE SPECIFIED:	DWN: H. LIU 27MAY2008	CHK: S. ZHAO 27MAY2008	TE Connectivity	
INCHES	0 PLC ±.010 1 PLC ±.010 2 PLC ±.010 3 PLC ±.010 4 PLC ±.010 ANGLES ±.020	APVD: S. ZHAO	NAME: R/A HEADER WITH SHORT GUIDES AND LP CONTACTS ASSEMBLY MULTI-BEAM XLE		
MATERIAL:	FINISH:	PRODUCT SPEC: 108-2292	APPLICATION SPEC: 114-13251	SIZE: A1	RESTRICTED TO: K6
CUSTOMER DRAWING		SCALE: 4:1	SHEET: 23 OF 24	REV: K6	

LOC	DIST	REVISIONS			
P	LTN	DESCRIPTION	DATE	DWN	APVD
-	-	SEE SHEET 1	-	-	-

PART NUMBER	ROWS	POWER															SIGNAL											
		P1	P2	P3	P4	P5	P6	P7	P8	P9	P10	P11	P12	P13	P14	P15	1	2	3	4	5	6	7					
4-6450832-7	D															-	J	-	-	J	J	J						
	C															-	K	-	-	K	K	K						
	B	TM	TM	TM	TM	-	-	-	TM	TM	-	-	-	TM	TM	-	-	G	-	-	G	G	G					
	A	HD															-	H	-	-	H	H	H					
15P + 28S																												

- NO CONTACTS LOADED



THIS DRAWING IS A CONTROLLED DOCUMENT.		DWN: H.LIU 27MAY2008	
DIMENSIONS: INCHES		CHK: S.ZHAO 27MAY2008	
		APVD: S.ZHAO	NAME: R/A HEADER WITH SHORT GUIDES AND LP CONTACTS ASSEMBLY MULTI-BEAM XLE
TOLERANCES UNLESS OTHERWISE SPECIFIED:		PRODUCT SPEC: 108-2292	SIZE: A1
0 PLC ±. 1 PLC ±.01 2 PLC ±.01 3 PLC ±.005 4 PLC ±.002 ANGLES ±.020		APPLICATION SPEC: 114-13251	CAGE CODE: 6450832
MATERIAL FINISH		WEIGHT	RESTRICTED TO
CUSTOMER DRAWING		SCALE: 4:1	SHEET 24 OF 24 REV: K6

Компания «Океан Электроники» предлагает заключение долгосрочных отношений при поставках импортных электронных компонентов на взаимовыгодных условиях!

Наши преимущества:

- Поставка оригинальных импортных электронных компонентов напрямую с производств Америки, Европы и Азии, а так же с крупнейших складов мира;
- Широкая линейка поставок активных и пассивных импортных электронных компонентов (более 30 млн. наименований);
- Поставка сложных, дефицитных, либо снятых с производства позиций;
- Оперативные сроки поставки под заказ (от 5 рабочих дней);
- Экспресс доставка в любую точку России;
- Помощь Конструкторского Отдела и консультации квалифицированных инженеров;
- Техническая поддержка проекта, помощь в подборе аналогов, поставка прототипов;
- Поставка электронных компонентов под контролем ВП;
- Система менеджмента качества сертифицирована по Международному стандарту ISO 9001;
- При необходимости вся продукция военного и аэрокосмического назначения проходит испытания и сертификацию в лаборатории (по согласованию с заказчиком);
- Поставка специализированных компонентов военного и аэрокосмического уровня качества (Xilinx, Altera, Analog Devices, Intersil, Interpoint, Microsemi, Actel, Aeroflex, Peregrine, VPT, Syfer, Eurofarad, Texas Instruments, MS Kennedy, Miteq, Cobham, E2V, MA-COM, Hittite, Mini-Circuits, General Dynamics и др.);

Компания «Океан Электроники» является официальным дистрибьютором и эксклюзивным представителем в России одного из крупнейших производителей разъемов военного и аэрокосмического назначения «JONHON», а так же официальным дистрибьютором и эксклюзивным представителем в России производителя высокотехнологичных и надежных решений для передачи СВЧ сигналов «FORSTAR».



JONHON

«JONHON» (основан в 1970 г.)

Разъемы специального, военного и аэрокосмического назначения:

(Применяются в военной, авиационной, аэрокосмической, морской, железнодорожной, горно- и нефтедобывающей отраслях промышленности)

«FORSTAR» (основан в 1998 г.)

ВЧ соединители, коаксиальные кабели, кабельные сборки и микроволновые компоненты:

(Применяются в телекоммуникациях гражданского и специального назначения, в средствах связи, РЛС, а так же военной, авиационной и аэрокосмической отраслях промышленности).



Телефон: 8 (812) 309-75-97 (многоканальный)

Факс: 8 (812) 320-03-32

Электронная почта: ocean@oceanchips.ru

Web: <http://oceanchips.ru/>

Адрес: 198099, г. Санкт-Петербург, ул. Калинина, д. 2, корп. 4, лит. А