

**TEMPERATURE SWITCH IC WITH LATCH**[www.sii-ic.com](http://www.sii-ic.com)

© Seiko Instruments Inc., 2001-2010

Rev.3.0\_00

The S-8130AA is a temperature switch with a latch function having a built-in semiconductor temperature sensor with the accuracy of  $\pm 2.5^{\circ}\text{C}$ . The output signal is inverted when the temperature is detected, and latched until a reset signal input or a detection of the power voltage lowering.

Low voltage operation down to 2.2 V is possible and the current consumption is low, 15  $\mu\text{A}$  (typ.), due to CMOS configuration.

The S-8130AA consists of a temperature sensor having the temperature coefficient of  $-13\text{ mV}/^{\circ}\text{C}$ , a reference voltage source, a comparator, voltage detection circuit, and noise suppression circuit all of which are enclosed in 8-Pin MSOP package.

Since the temperature range of this IC is  $-40$  to  $+100^{\circ}\text{C}$ , it is possible to achieve the extensive application for temperature control.

**■ Features**

- Detection temperature :  $+60$  to  $+95^{\circ}\text{C}$ ,  $5^{\circ}\text{C}$  step
- Detection accuracy :  $\pm 2.5^{\circ}\text{C}$
- $V_{\text{SS}}$  grounded temperature voltage output
- Low voltage operation :  $V_{\text{DD}}$  (min.)= $2.2\text{ V}$
- Low current consumption : 15  $\mu\text{A}$  typ. ( $+25^{\circ}\text{C}$ )
- A built-in circuit for preventing malfunction of temperature detection
- Output logic level is fixed by the latch after temperature detection
- Lead-free, halogen-free<sup>\*1</sup>

\*1. Refer to “**■ Product Name Structure**” for details.

**■ Applications**

- Game console
- Electronic devices

**■ Package**

- 8-Pin MSOP

■ Block diagram

S-8130AAxFN-xxxT2z (Fixed detection temperature)

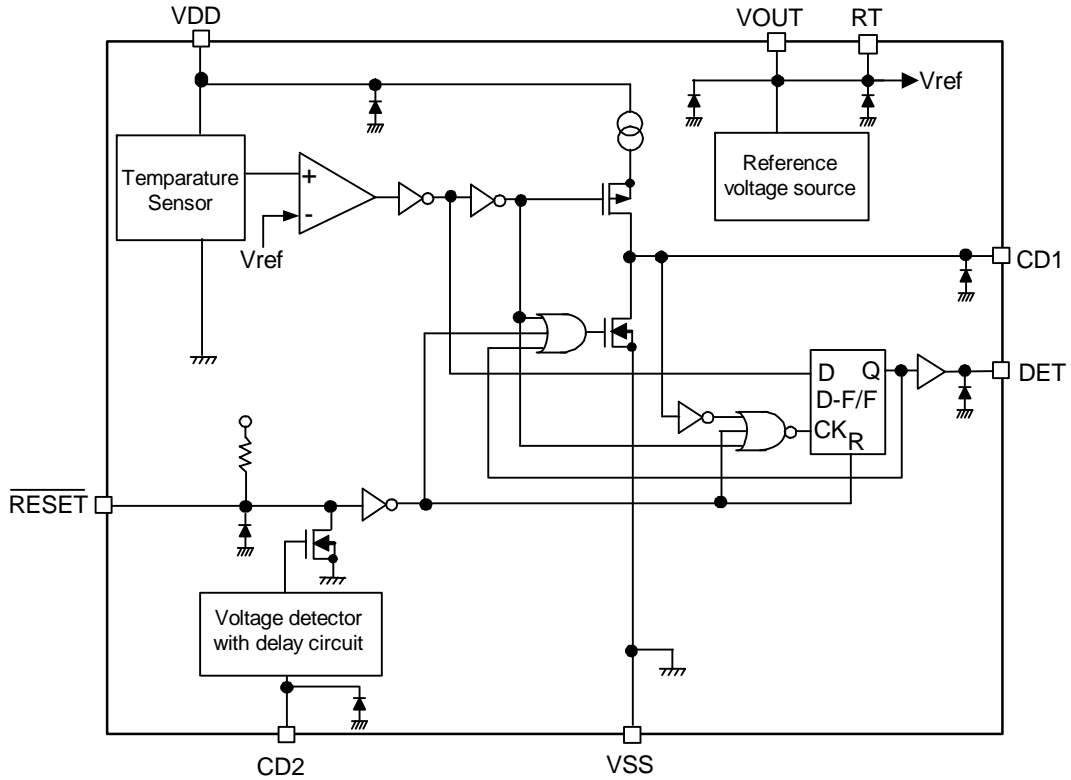
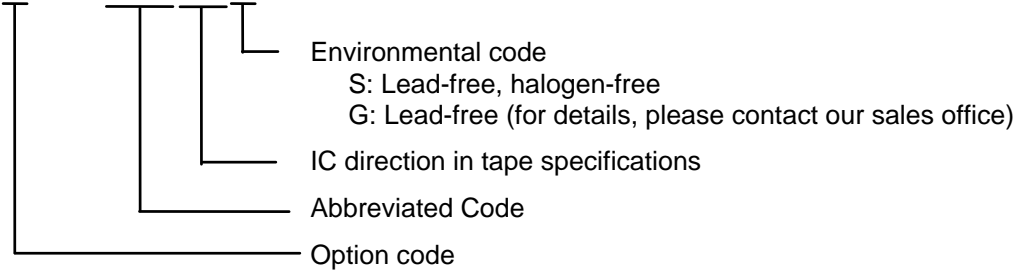


Figure 1

■ Product Name Structure

1. Product name

S - 8130 A A x F N - x x x T 2 x



Option list

- Detection temperature  $T_{DET}$  is selectable in 5°C step in the range between 60 and 95°C.
- DET output is selectable active high or active low.
- Release voltage  $V_{RET}$  is selectable in 0.1 V step in the range between 2.2 and 3.4 V.
- $\overline{RESET}$  pin is selectable “Pull-up” or “Nch Open Drain”.

2. Package

Package Name	Drawing Code		
	Package	Tape	Reel
8-Pin MSOP	FN008-A-P-SD	FN008-A-C-SD	FN008-A-R-SD

3. Product name list

Table 1

Product name	$T_{DET}$	DET output	$V_{RET}$	$\overline{RESET}$
S-8130AAAFN-MAAT2z	80°C	Active high	2.4 V	Pull-up
S-8130AACFN-MAET2z	86°C	Active high	2.9 V	Pull-up

Remark1. Please contact our sales department for options other than those specified above.

2. z: G or S

■ Pin configuration

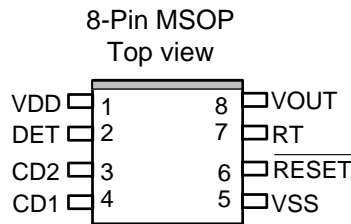


Figure 2

■ Pin Description

Table 2

Pin No.	Pin Name	Function	Input/Output
1	VDD	Positive power supply pin	—
2	DET	Output pin for detection at the defined temperature	CMOS output : Output logic is selectable
3	CD2	Capacitor connection pin for delay time setting in voltage detection	Input/Output
4	CD1	Capacitor connection pin for time setting of malfunction prevention	Input/Output
5	VSS	Ground pin	—
6	RESET	Input/Output pin for reset Active low	Input : CMOS Output : N channel open drain (Pull-up resistance is optional)
7	RT	Reference voltage input pin (short-circuited to VOUT pin internally)	Input
8	VOUT	Output pin for reference voltage from the internal comparator	Output

## ■ Absolute maximum ratings

Table 3

(Ta = 25 °C unless otherwise specified)

Parameter	Symbol	Ratings	Unit
Supply voltage (V <sub>SS</sub> =0.0 V)	V <sub>DD</sub>	V <sub>SS</sub> +12	V
Pin voltage	V <sub>OUT</sub> , V <sub>RT</sub> , V <sub>RESET</sub> , V <sub>DET</sub> , V <sub>CD1</sub> , V <sub>CD2</sub>	V <sub>SS</sub> -0.3 to V <sub>DD</sub> +0.3	V
Power dissipation	P <sub>D</sub>	300 (When not mounted on board)	mW
		500*1	mW
Operating temperature	T <sub>opr</sub>	-40 to +100	°C
Storage temperature	T <sub>stg</sub>	-55 to +125	°C

\*1. When mounted on board

[Mounted board]

(1) Board size : 114.3 mm × 76.2 mm × t1.6 mm

(2) Board name : JEDEC STANDARD51-7

**Caution** The absolute maximum ratings are rated values exceeding which the product could suffer physical damage. These values must therefore not be exceeded under any conditions.

## ■ Recommended values for external parts

Table 4

Parameters	Symbol	Value	Unit
CD1 capacitance	C <sub>D1</sub>	4.7	nF
CD2 capacitance	C <sub>D2</sub>	4.7	nF

■ **DC Electrical Characteristics**

**Table 5**

(Ta=25°C, V<sub>SS</sub>=0 V unless otherwise specified)

Parameters	Symbol	Conditions	Min.	Typ.	Max.	Unit	
Supply voltage	V <sub>DD</sub>	—	2.2	—	10.0	V	
Detection temperature	T <sub>D</sub>	—	T <sub>DET</sub> -2.5	T <sub>DET</sub>	T <sub>DET</sub> +2.5	°C	
Output current 1	I <sub>DETH</sub>	V <sub>DD</sub> =3 V Applied to DET pin	V <sub>DET</sub> =2.2 V	2	4	—	mA
	I <sub>DETL</sub>		V <sub>DET</sub> =0.4 V	0.5	1	—	mA
Input voltage	V <sub>ONH</sub>	Applied to $\overline{\text{RESET}}$ pin	0.8 × V <sub>DD</sub>	—	V <sub>DD</sub>	V	
	V <sub>ONL</sub>		V <sub>SS</sub>	—	0.2 × V <sub>DD</sub>	V	
Pull-up resistance	R <sub>OL</sub>	Applied to $\overline{\text{RESET}}$ pin V <sub>IN</sub> =0 V, V <sub>DD</sub> =3.0 V	30	100	300	kΩ	
Release voltage for voltage detector	V <sub>R</sub>	—	V <sub>RET</sub> × 0.98	V <sub>RET</sub>	V <sub>RET</sub> × 1.02	V	
Hysteresis width for voltage detector	V <sub>HYS</sub>	—	—	V <sub>RET</sub> × 0.05	—	V	
Output current for voltage detector	I <sub>RSTL</sub>	V <sub>DD</sub> =3.0 V, V <sub>RESET</sub> =0.5 V Applied to $\overline{\text{RESET}}$ pin	0.5	1	—	mA	
Temperature coefficient for voltage detector	$\frac{\Delta V_{RET}}{\Delta T_a \cdot V_{RET}}$	Ta= -40 to 100°C	—	±100	—	ppm/°C	
Operating current	I <sub>DD</sub>	V <sub>DD</sub> =3.3 V	—	15	30	μA	

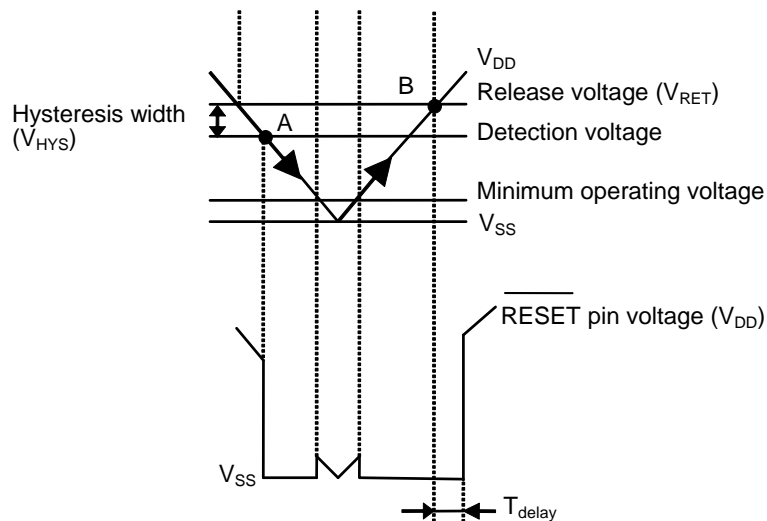
■ **AC Electrical Characteristics**

**Table 6**

(Ta=25°C unless otherwise specified)

Parameters	Symbol	Conditions	Min.	Typ.	Max.	Unit
Noise filtering time	T <sub>noise</sub>	C <sub>D1</sub> =4.7 nF, V <sub>DD</sub> =3 V	10	30	50	ms
Delay time for voltage detector	T <sub>delay</sub>	C <sub>D2</sub> =4.7 nF, V <sub>DD</sub> =3 V	10	30	50	ms

**Definition of the symbols used in the voltage detection circuit**



**Figure 3**

## ■ Description of Operation

### 1. Basic operation

S-8130AA series is a temperature switch which detects the temperature and sends a signal to an external device. The users can select a combination of the parameters such as detection temperature and release voltage.

The following is the case that the DET output is active high.

When the power voltage is turned on, the DET pin voltage goes to low since the flip-flop circuit in the detection circuit is cleared by the delayed voltage detection circuit. Temperature detection then starts and the DET pin is held low as long as the temperature is lower than the detection temperature. The temperature rises and when the temperature exceeds the detection temperature; longer than the time defined by the capacitor connected to the CD1 pin, the DET pin goes to high. Once the over-temperature is detected and the DET pin goes to high, the state is held by the flip-flop circuit. In order to release the state the RESET pin voltage should be set to low by the external signal or the power voltage should be set under the detection voltage of the built-in detector to reset the internal circuit.

Using the internal reference voltage and built-in temperature sensor, the accuracy of  $\pm 2.5^{\circ}\text{C}$  in the detection temperature is achieved.

#### Noise Protection circuit

The noise protection circuit prevents malfunction of the temperature switch caused by noise.

The noise protection circuit starts charging the capacitor connected to the CD1 pin when the output of the internal comparator enters active state due to an external noise or a rapid change in the power voltage. In the normal operation the flip-flop circuit is set when the capacitor is charged to a certain voltage. But in the noise triggered operation the comparator output goes back to inactive state and the CD1 pin voltage is held low since the charging of the capacitor is insufficient. As a result the DET pin is held low and malfunction does not occur.

Noise suppression time,  $T_{\text{noise}}$ , is determined by the time constant consisting of internal constant current and the capacitance  $C_{D1}$ , and calculated by the following equation.

$$T_{\text{noise}} (\text{ms}) = \text{Noise suppression time coefficient} \times C_{D1} (\text{nF})$$

Noise suppression time coefficient ( $25^{\circ}\text{C}$ ): Typ. 6.4

### 2. Voltage detection circuit with delay

The delay circuit in the voltage detector provides a delayed output signal to the RESET pin when the power voltage  $V_{DD}$  rises and exceeds the release voltage  $V_R$ . On the other hand no delay occurs when the power voltage  $V_{DD}$  goes lower than the detection voltage,  $V_R - V_{HYS}$ .

The delay time,  $T_{\text{delay}}$ , is determined by the time constant consisting of internal constant current and the capacitance  $C_{D2}$ , and calculated by the following equation.

$$T_{\text{delay}} (\text{ms}) = \text{Delay coefficient} \times C_{D2} (\text{nF})$$

Delay coefficient ( $25^{\circ}\text{C}$ ): Min. 4.3, Typ. 6.4, Max. 8.5

- Layout the board wiring so that the current does not flow into or flow out of the CD2 pin to have correct delay time since the impedance of the CD2 pin is high.
- Capacitance of the external capacitor  $C_{D2}$  has no limitation as long as its leak current is negligible compared to the internal constant current. The difference occurs in delay time if the capacitor has leak current. When the leak current is larger than the internal constant current, the voltage detection circuit does not release reset.

■ Application circuit

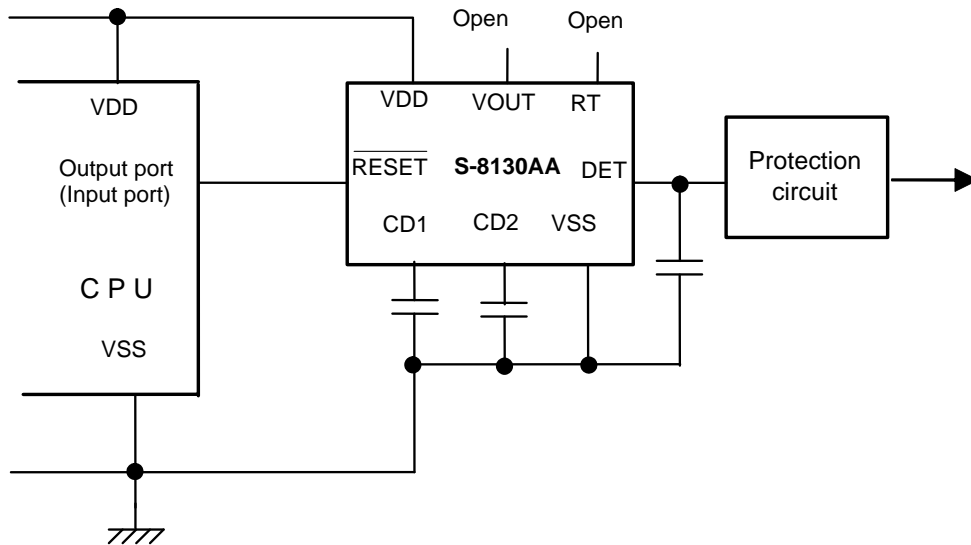


Figure 4

**Caution** The above connection diagram will not guarantee successful operation. Perform thorough evaluation using actual application to set the constant.

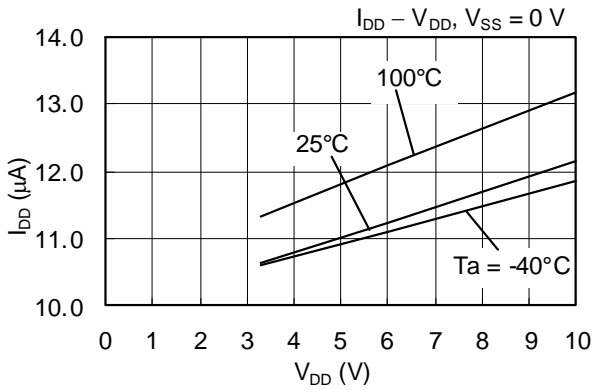
■ Precautions

- (1) Since the S-8130AA has a voltage detector inside, control for the  $\overline{\text{RESET}}$  pin is not necessary to activate the circuit as seen in **Figure 4**. In this case the  $\overline{\text{RESET}}$  pin should be open.
- (2) A capacitor of around 1  $\mu\text{F}$  should be connected to the DET pin to prevent malfunction caused by a noise due to the power on.
- (3) Nothing should be connected to the VOUT pin and the RT pin. These pins should be left open.
- (4) Do not apply an electrostatic discharge to this IC that exceeds the performance ratings of the built-in electrostatic protection circuit.

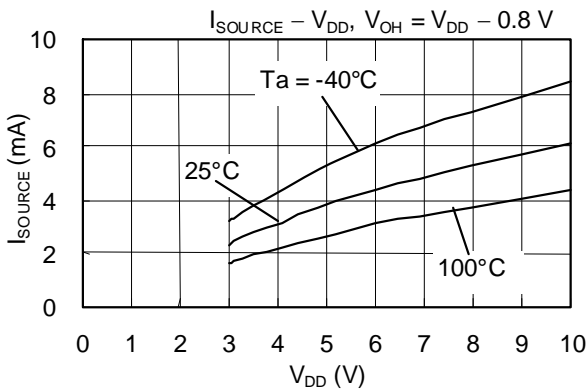


■ Typical Characteristics

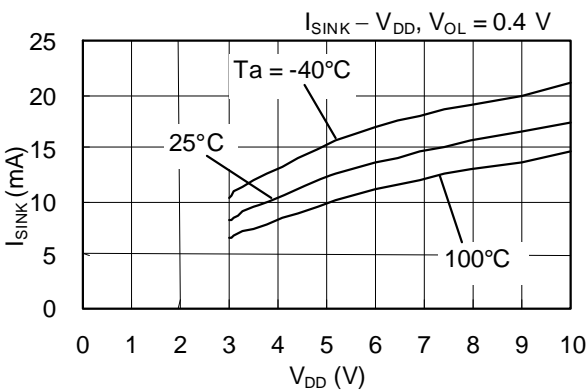
1. Current consumption vs. power voltage

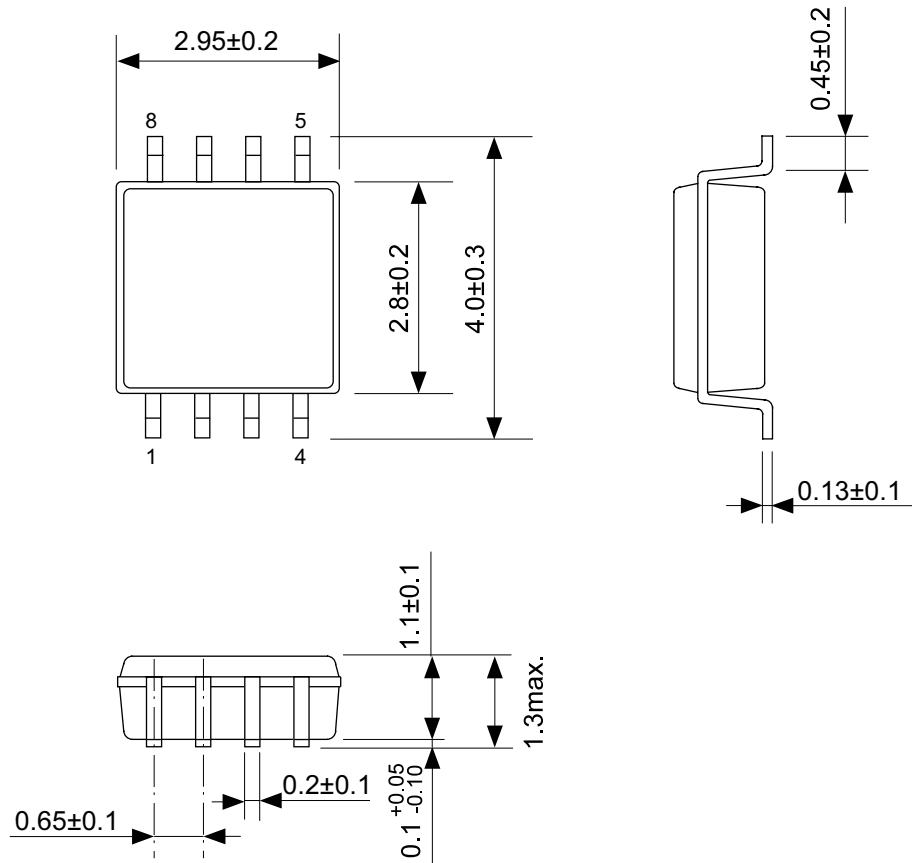


2. DET pin  $I_{SOURCE}$  vs.  $V_{DD}$  characteristics



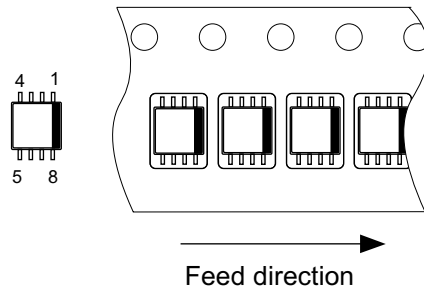
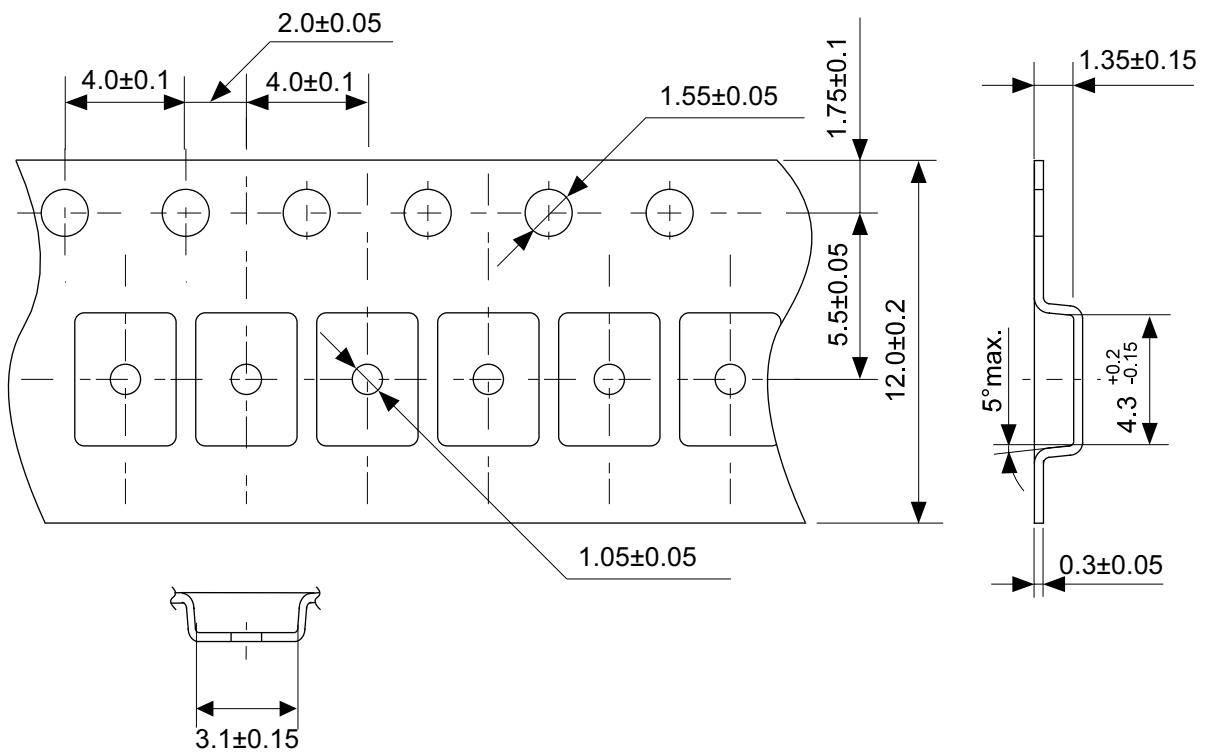
3. DET pin  $I_{SINK}$  vs.  $V_{DD}$  characteristics





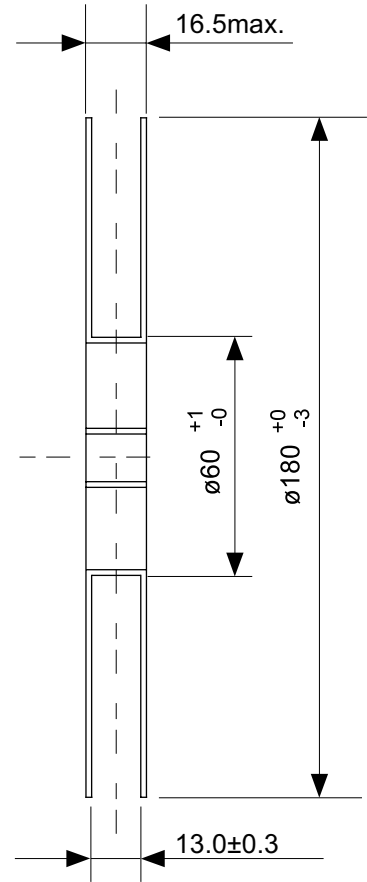
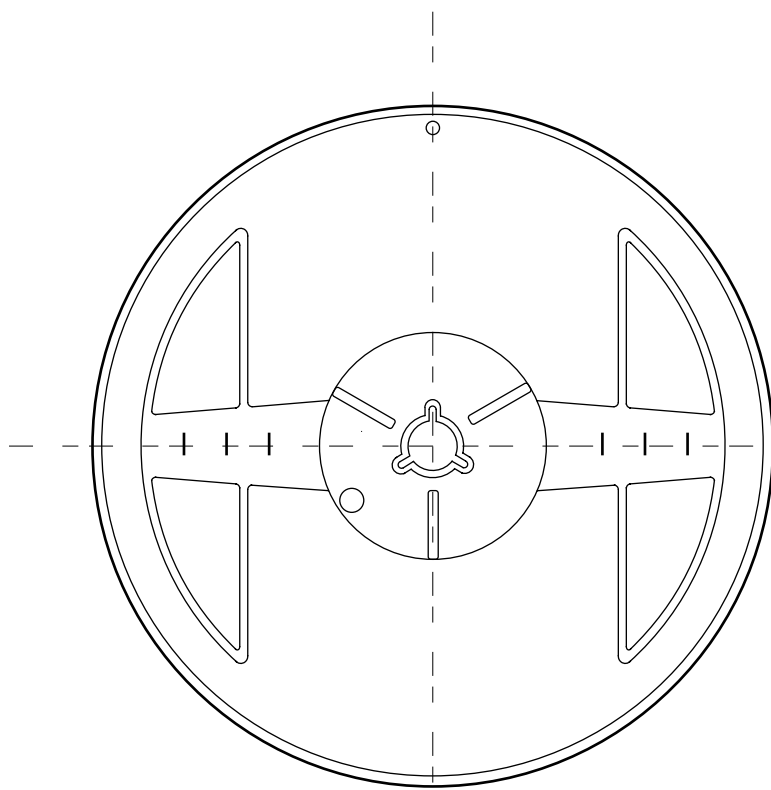
No. FN008-A-P-SD-1.1

TITLE	MSOP8-A-PKG Dimensions
No.	FN008-A-P-SD-1.1
SCALE	
UNIT	mm
Seiko Instruments Inc.	

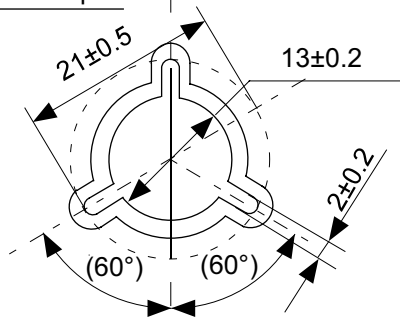


No. FN008-A-C-SD-1.1

TITLE	MSOP8-A-Carrier Tape
No.	FN008-A-C-SD-1.1
SCALE	
UNIT	mm
Seiko Instruments Inc.	



Enlarged drawing in the central part



No. FN008-A-R-SD-1.1

TITLE	MSOP8-A-Reel		
No.	FN008-A-R-SD-1.1		
SCALE		QTY.	3,000
UNIT	mm		
Seiko Instruments Inc.			



Seiko Instruments Inc.  
[www.sii-ic.com](http://www.sii-ic.com)

- The information described herein is subject to change without notice.
- Seiko Instruments Inc. is not responsible for any problems caused by circuits or diagrams described herein whose related industrial properties, patents, or other rights belong to third parties. The application circuit examples explain typical applications of the products, and do not guarantee the success of any specific mass-production design.
- When the products described herein are regulated products subject to the Wassenaar Arrangement or other agreements, they may not be exported without authorization from the appropriate governmental authority.
- Use of the information described herein for other purposes and/or reproduction or copying without the express permission of Seiko Instruments Inc. is strictly prohibited.
- The products described herein cannot be used as part of any device or equipment affecting the human body, such as exercise equipment, medical equipment, security systems, gas equipment, or any apparatus installed in airplanes and other vehicles, without prior written permission of Seiko Instruments Inc.
- Although Seiko Instruments Inc. exerts the greatest possible effort to ensure high quality and reliability, the failure or malfunction of semiconductor products may occur. The user of these products should therefore give thorough consideration to safety design, including redundancy, fire-prevention measures, and malfunction prevention, to prevent any accidents, fires, or community damage that may ensue.

Компания «Океан Электроники» предлагает заключение долгосрочных отношений при поставках импортных электронных компонентов на взаимовыгодных условиях!

Наши преимущества:

- Поставка оригинальных импортных электронных компонентов напрямую с производств Америки, Европы и Азии, а так же с крупнейших складов мира;
- Широкая линейка поставок активных и пассивных импортных электронных компонентов (более 30 млн. наименований);
- Поставка сложных, дефицитных, либо снятых с производства позиций;
- Оперативные сроки поставки под заказ (от 5 рабочих дней);
- Экспресс доставка в любую точку России;
- Помощь Конструкторского Отдела и консультации квалифицированных инженеров;
- Техническая поддержка проекта, помощь в подборе аналогов, поставка прототипов;
- Поставка электронных компонентов под контролем ВП;
- Система менеджмента качества сертифицирована по Международному стандарту ISO 9001;
- При необходимости вся продукция военного и аэрокосмического назначения проходит испытания и сертификацию в лаборатории (по согласованию с заказчиком);
- Поставка специализированных компонентов военного и аэрокосмического уровня качества (Xilinx, Altera, Analog Devices, Intersil, Interpoint, Microsemi, Actel, Aeroflex, Peregrine, VPT, Syfer, Eurofarad, Texas Instruments, MS Kennedy, Miteq, Cobham, E2V, MA-COM, Hittite, Mini-Circuits, General Dynamics и др.);

Компания «Океан Электроники» является официальным дистрибьютором и эксклюзивным представителем в России одного из крупнейших производителей разъемов военного и аэрокосмического назначения «JONHON», а так же официальным дистрибьютором и эксклюзивным представителем в России производителя высокотехнологичных и надежных решений для передачи СВЧ сигналов «FORSTAR».



## JONHON

«JONHON» (основан в 1970 г.)

Разъемы специального, военного и аэрокосмического назначения:

(Применяются в военной, авиационной, аэрокосмической, морской, железнодорожной, горно- и нефтедобывающей отраслях промышленности)

«FORSTAR» (основан в 1998 г.)

ВЧ соединители, коаксиальные кабели, кабельные сборки и микроволновые компоненты:

(Применяются в телекоммуникациях гражданского и специального назначения, в средствах связи, РЛС, а так же военной, авиационной и аэрокосмической отраслях промышленности).



Телефон: 8 (812) 309-75-97 (многоканальный)

Факс: 8 (812) 320-03-32

Электронная почта: [ocean@oceanchips.ru](mailto:ocean@oceanchips.ru)

Web: <http://oceanchips.ru/>

Адрес: 198099, г. Санкт-Петербург, ул. Калинина, д. 2, корп. 4, лит. А