

# PAC5532/PAC5532A

## Data Sheet

*Power Application Controller<sup>®</sup>*

Multi-Mode Power Manager™

Configurable Analog Front End™

Application Specific Power Drivers™

Arm® Cortex®-M4F Controller Core



[www.active-semi.com](http://www.active-semi.com)

Copyright © 2019 Active-Semi, Inc.

# TABLE OF CONTENTS

|        |  |    |
|--------|--|----|
| 1      | GENERAL DESCRIPTION .....                      | 8  |
| 2      | PAC FAMILY APPLICATIONS.....                   | 9  |
| 3      | PRODUCT SELECTION SUMMARY.....                 | 10 |
| 4      | ORDERING INFORMATION.....                      | 10 |
| 5      | FEATURES .....                                 | 11 |
| 5.1    | Feature Overview.....                          | 11 |
| 6      | ABSOLUTE MAXIMUM RATINGS.....                  | 13 |
| 7      | ARCHITECTURAL BLOCK DIAGRAM.....               | 14 |
| 8      | PIN CONFIGURATION.....                         | 15 |
| 8.1    | PAC5532QX.....                                 | 15 |
| 9      | PIN DESCRIPTION.....                           | 16 |
| 9.1    | Power and Ground Pin Description.....          | 16 |
| 9.2    | Signal Manager Pin Description.....            | 17 |
| 9.3    | Driver Manager Pin Description .....           | 18 |
| 9.4    | I/O Ports Pin Description.....                 | 19 |
| 10     | CONFIGURABLE POWER MANAGER (CPM) .....         | 20 |
| 10.1   | Features .....                                 | 20 |
| 10.2   | Functional Description.....                    | 21 |
| 10.3   | High-Voltage Supply Controller (HV-BUCK) ..... | 21 |
| 10.3.1 | HV-BUCK Re-start Handling .....                | 22 |
| 10.4   | Medium-Voltage Buck Regulator (MV-BUCK) .....  | 22 |
| 10.5   | Linear Regulators .....                        | 22 |
| 10.6   | Power-up Sequence.....                         | 23 |
| 10.7   | Hibernate Mode.....                            | 24 |
| 10.8   | Power and Temperature Monitor .....            | 24 |
| 10.9   | Voltage Reference .....                        | 25 |
| 10.10  | Electrical Characteristics .....               | 26 |
| 10.11  | Typical Performance Characteristics .....      | 29 |
| 11     | CONFIGURABLE ANALOG FRONT END (CAFE).....      | 31 |
| 11.1   | Features .....                                 | 31 |
| 11.2   | Block Diagram .....                            | 32 |
| 11.3   | Functional Description.....                    | 33 |

|        |  |    |
|--------|--|----|
| 11.4   | Differential Programmable Gain Amplifier (DA) .....  | 33 |
| 11.5   | Single-Ended Programmable Gain Amplifier (AMP) ..... | 33 |
| 11.6   | General Purpose Comparator (CMP) .....               | 33 |
| 11.7   | Phase Comparator (PHC) .....                         | 33 |
| 11.8   | Protection Comparator (PCMP) .....                   | 34 |
| 11.9   | Analog Output Buffer (BUF) .....                     | 34 |
| 11.10  | Analog Front End I/O (AIO) .....                     | 34 |
| 11.11  | Push Button (PBTN).....                              | 34 |
| 11.12  | HP DAC and LP DAC.....                               | 34 |
| 11.13  | ADC Pre-Multiplexer.....                             | 35 |
| 11.14  | Configurable Analog Signal Matrix (CASM) .....       | 35 |
| 11.15  | Configurable Digital Signal Matrix (CDSM) .....      | 35 |
| 11.16  | Cycle-by-cycle Current Limit .....                   | 35 |
| 11.17  | Temperature Protection .....                         | 35 |
| 11.18  | Electrical Characteristics .....                     | 36 |
| 12     | APPLICATION SPECIFIC POWER DRIVERS (ASPD).....       | 41 |
| 12.1   | Features .....                                       | 41 |
| 12.2   | Block Diagram .....                                  | 41 |
| 12.3   | Functional Description.....                          | 41 |
| 12.4   | Low-Side Gate Driver .....                           | 42 |
| 12.5   | High-Side Gate Driver .....                          | 42 |
| 12.6   | Power Drivers Control .....                          | 43 |
| 12.7   | Gate Driver Fault Protection.....                    | 43 |
| 12.8   | Electrical Characteristics.....                      | 44 |
| 13     | SOC CONTROL SIGNALS .....                            | 45 |
| 13.1   | High-side and Low-Side Gate Drivers.....             | 45 |
| 13.2   | SPI SOC Bus.....                                     | 47 |
| 13.3   | ADC EMUX .....                                       | 47 |
| 13.4   | Analog Interrupts .....                              | 48 |
| 14     | ADC/DTSE .....                                       | 49 |
| 14.1   | ADC Block Diagram .....                              | 49 |
| 14.2   | Functional Description.....                          | 49 |
| 14.2.1 | ADC.....   | 49 |
| 14.2.2 | Dynamic Triggering and Sample Engine .....           | 49 |
| 14.2.3 | EMUX Control .....                                   | 50 |

|        |   |    |
|--------|---|----|
| 14.3   | Electrical Characteristics .....              | 51 |
| 15     | MEMORY SYSTEM .....                           | 52 |
| 15.1   | Features .....                                | 52 |
| 15.2   | Memory System Block Diagram .....             | 52 |
| 15.3   | Functional Description .....                  | 53 |
| 15.4   | Program FLASH .....                           | 53 |
| 15.5   | INFO FLASH .....                              | 53 |
| 15.6   | SRAM .....                                    | 53 |
| 15.7   | Code Protection .....                         | 53 |
| 15.8   | Electrical Characteristics .....              | 55 |
| 16     | SYSTEM AND CLOCK CONTROL .....                | 56 |
| 16.1   | Features .....                                | 56 |
| 16.2   | Block Diagram .....                           | 56 |
| 16.3   | Clock Sources .....                           | 57 |
| 16.3.1 | Ring Oscillator .....                         | 57 |
| 16.3.2 | Reference Clock .....                         | 57 |
| 16.3.3 | External Clock Input .....                    | 57 |
| 16.4   | PLL .....                                     | 57 |
| 16.5   | Clock Tree .....                              | 57 |
| 16.5.1 | FRCLK .....                                   | 57 |
| 16.5.2 | SCLK .....                                    | 58 |
| 16.5.3 | PCLK .....                                    | 58 |
| 16.5.4 | ACLK .....                                    | 58 |
| 16.5.5 | HCLK .....                                    | 58 |
| 16.6   | Electrical Characteristics .....              | 59 |
| 17     | ARM® CORTEX®-M4F MCU CORE .....               | 60 |
| 17.1   | Features .....                                | 60 |
| 17.2   | Block Diagram .....                           | 60 |
| 17.3   | Functional Description .....                  | 61 |
| 17.4   | Application Typical Current Consumption ..... | 62 |
| 17.5   | Electrical Characteristics .....              | 63 |
| 18     | IO CONTROLLER .....                           | 64 |
| 18.1   | Features .....                                | 64 |
| 18.2   | Block Diagram .....                           | 64 |
| 18.3   | Functional Description .....                  | 65 |

|        |  |    |
|--------|--|----|
| 18.4   | GPIO Current Injection .....                 | 65 |
| 18.5   | Peripheral MUX .....                         | 66 |
| 18.6   | Electrical Characteristics .....             | 67 |
| 19     | SERIAL INTERFACE .....                       | 68 |
| 19.1   | Block Diagram .....                          | 68 |
| 19.2   | Functional Description .....                 | 68 |
| 19.3   | I <sup>2</sup> C Controller .....            | 69 |
| 19.4   | USART .....                                  | 69 |
| 19.4.1 | USART SPI Mode .....                         | 69 |
| 19.4.2 | USART UART Mode .....                        | 69 |
| 19.5   | CAN .....                                    | 70 |
| 19.6   | Dynamic Characteristics .....                | 71 |
| 20     | PWM TIMERS .....                             | 73 |
| 20.1   | Block Diagram .....                          | 73 |
| 20.2   | Timer Features .....                         | 73 |
| 20.2.1 | CCR/PWM Timer .....                          | 74 |
| 20.2.2 | Dead-time Generators (DTG) .....             | 74 |
| 20.2.3 | QEP Decoder .....                            | 74 |
| 21     | GENERAL PURPOSE TIMERS .....                 | 76 |
| 21.1   | Block Diagram .....                          | 76 |
| 21.2   | Functional Description .....                 | 76 |
| 21.2.1 | SOC Bus Watchdog Timer .....                 | 76 |
| 21.2.2 | Wake-up Timer .....                          | 77 |
| 21.2.3 | Real-time Clock with Calendar (RTC) .....    | 77 |
| 21.2.4 | Windowed Watchdog Timer (WWDT) .....         | 77 |
| 21.2.5 | GP Timer (GPT) .....                         | 77 |
| 22     | CRC .....                                    | 78 |
| 22.1   | Block Diagram .....                          | 78 |
| 22.2   | Functional Description .....                 | 78 |
| 23     | THERMAL CHARACTERISTICS .....                | 79 |
| 24     | APPLICATION EXAMPLES .....                   | 80 |
| 25     | PACKAGE OUTLINE AND DIMENSIONS .....         | 81 |
| 25.1   | 51L SLP Package Outline and Dimensions ..... | 81 |
| 26     | LEGAL INFORMATION .....                      | 82 |

# LIST OF FIGURES

|   |    |
|---|----|
| Figure 1-1. PAC5532 Power Application Controller.....             | 8  |
| Figure 2-1. Simplified Application Diagram.....                   | 9  |
| Figure 7-1 Architectural Block Diagram.....                       | 14 |
| Figure 8-1 PAC5532QX Pin Diagram.....                             | 15 |
| Figure 10-1 CPM Block Diagram.....                                | 20 |
| Figure 10-2 HV-BUCK Example.....                                  | 21 |
| Figure 10-3 MV-BUCK Switching Regulator Example.....              | 22 |
| Figure 10-4 Linear Regulators Example.....                        | 23 |
| Figure 10-5 Power-Up Sequence.....                                | 23 |
| Figure 10-6 VDDIO LDO Voltage vs. Current.....                    | 29 |
| Figure 10-7 VCC33 LDO Voltage vs. Current.....                    | 29 |
| Figure 10-8 VCORE LDO Voltage vs. Current.....                    | 30 |
| Figure 11-1 Configurable Analog Front End.....                    | 32 |
| Figure 12-1 Application Specific Power Drivers.....               | 41 |
| Figure 12-2 Typical Gate Driver Connections.....                  | 41 |
| Figure 13-1 SOC Signals for Gate Drivers.....                     | 45 |
| Figure 14-1 ADC with DTSE.....                                    | 49 |
| Figure 15-1 Memory System.....                                    | 52 |
| Figure 16-1 Clock Control System.....                             | 56 |
| Figure 17-1 Arm® Cortex®-M4F Microcontroller Core.....            | 60 |
| Figure 18-1 IO Controller Block Diagram.....                      | 64 |
| Figure 19-1 Serial Interface Block Diagram.....                   | 68 |
| Figure 19-2 I <sup>2</sup> C Timing Diagram.....                  | 72 |
| Figure 20-1 PWM Timers Block Diagram.....                         | 73 |
| Figure 21-1 SOC Bus Watchdog and Wake-up Timer.....               | 76 |
| Figure 21-2 General Purpose Timers.....                           | 76 |
| Figure 22-1 CRC Block Diagram.....                                | 78 |
| Figure 24-1 3-Phase Motor Using PAC5532 (Simplified Diagram)..... | 80 |

# LIST OF TABLES

|   |    |
|---|----|
| Table 3-1 Product Selection Summary .....   | 10 |
| Table 4-1 Ordering Information .....  | 10 |
| Table 6-1 Absolute Maximum Ratings .....  | 13 |
| Table 9-1 Power and Ground Pin Description .....  | 16 |
| Table 9-2 Signal Manager Pin Description .....  | 17 |
| Table 9-3 Driver Manager Pin Description.....   | 18 |
| Table 9-4 I/O Ports Pin Description .....   | 19 |
| Table 10-1 High-Voltage Buck Controller Electrical Characteristics.....                               | 26 |
| Table 10-2 Medium-Voltage Buck Controller Electrical Characteristics .....                            | 27 |
| Table 10-3 Linear Regulators Electrical Characteristics.....  | 28 |
| Table 11-1 Differential Programmable Gain Amplifier (DA) Electrical Characteristics (AIO<5:0>) .....  | 36 |
| Table 11-2 Single-Ended Programmable Gain Amplifier (AMP) Electrical Characteristics (AIO<9:6>) ..... | 37 |
| Table 11-3 General Purpose Comparator (CMP) Electrical Characteristics (AIO<9:6>) .....               | 37 |
| Table 11-4 Phase Comparator (PHC) Electrical Characteristics (AIO<9:6>) .....                         | 38 |
| Table 11-5 Special Mode Electrical Characteristics (AIO<9:7>).....                                    | 38 |
| Table 11-6 Special Mode Electrical Characteristics (AIO6).....  | 38 |
| Table 11-7 Analog Front End (AIO) Electrical Characteristics (AIO<9:0>).....                          | 39 |
| Table 11-8 Push Button (PBTN) Electrical Characteristics (AIO6) .....                                 | 39 |
| Table 11-9 HP DAC and LP DAC Electrical Characteristics.....  | 39 |
| Table 11-10 Temperature Protection .....  | 40 |
| Table 12-1 Power Driver Resources by Part Numbers.....  | 42 |
| Table 12-2 Power Driver Propagation Delay .....   | 43 |
| Table 12-3 Gate Driver Electrical Characteristics .....   | 44 |
| Table 13-1 PWM to ASPD Gate Driver Options (DTG Enabled) .....  | 46 |
| Table 13-2 PWM to ASPD Gate Driver Options (DTG Disabled) .....                                       | 46 |
| Table 13-3 SPI SOC Bus Connections .....  | 47 |
| Table 13-4 SPI SOC Bus Connections .....  | 48 |
| Table 13-5 Analog Interrupts .....  | 48 |
| Table 14-1 ADC and DTSE Electrical Characteristics .....  | 51 |
| Table 15-1 Code Protection Level Description .....  | 53 |
| Table 15-2 Memory System Electrical Characteristics .....   | 55 |
| Table 16-1 CCS Electrical Characteristics.....  | 59 |
| Table 17-1 PAC55XX Application Typical Current Consumption .....                                      | 62 |
| Table 17-2 MCU and Clock Control System Electrical Characteristics .....                              | 63 |
| Table 18-1 PAC5532 Peripheral Pin MUX.....  | 66 |
| Table 18-2 IO Controller Electrical Characteristics.....  | 67 |
| Table 19-1 Serial Interface Dynamic Characteristics.....  | 71 |
| Table 19-2 I <sup>2</sup> C Dynamic Characteristics .....   | 71 |
| Table 23-1 Thermal Characteristics .....  | 79 |

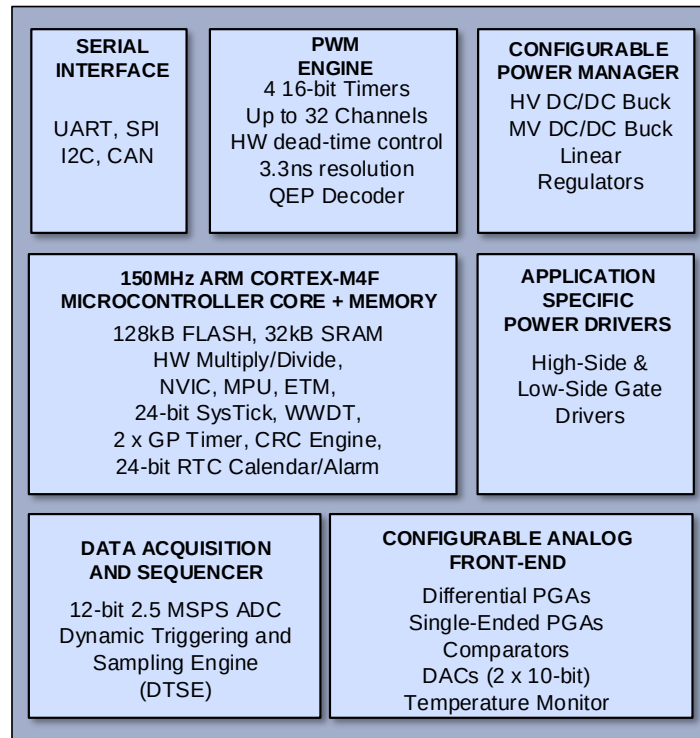
# 1 GENERAL DESCRIPTION

The PAC5532 is a Power Application Controller® (PAC) product that is optimized for high-speed BLDC motor control. The PAC5532 integrates a 150MHz Arm® Cortex®-M4F 32-bit microcontroller core with Active-Semi's proprietary highly-configurable Power manager, Active-Semi's proprietary and patent-pending Configurable Analog Front-End™ and Application Specific Power Drivers™ to form the most compact microcontroller-based power and motor control solution available.

The PAC5532 features 128kB of embedded FLASH, 32kB of SRAM memory, a 2.5MSPS analog-to-digital converter (ADC) with programmable auto-sampling of up to 24 conversion sequences, 3.3V IO, flexible clock control system, PWM and general-purpose timers and several serial communications interfaces.

The Configurable Power Manager (CPM) provides “all-in-one” efficient power management solution for multiple types of power sources. It features a configurable high-voltage switching supply controller capable of operating a buck converter, a configurable medium-voltage switching regulator, and four linear regulated voltage supplies. The Application Specific Power Drivers (ASPD) are 180V power drivers designed for half bridge, H-bridge, 3-phase, and general purpose driving. The Configurable Analog Front End (CAFE) comprises differential programmable gain amplifiers, single-ended programmable gain amplifiers, comparators, digital-to-analog converters, and I/Os for programmable and inter-connectible signal sampling, feedback amplification, and sensor monitoring of multiple analog input signals.

**Figure 1-1. PAC5532 Power Application Controller**



The PAC5532 is available in a 51-pin, 8x8mm TQFN package.



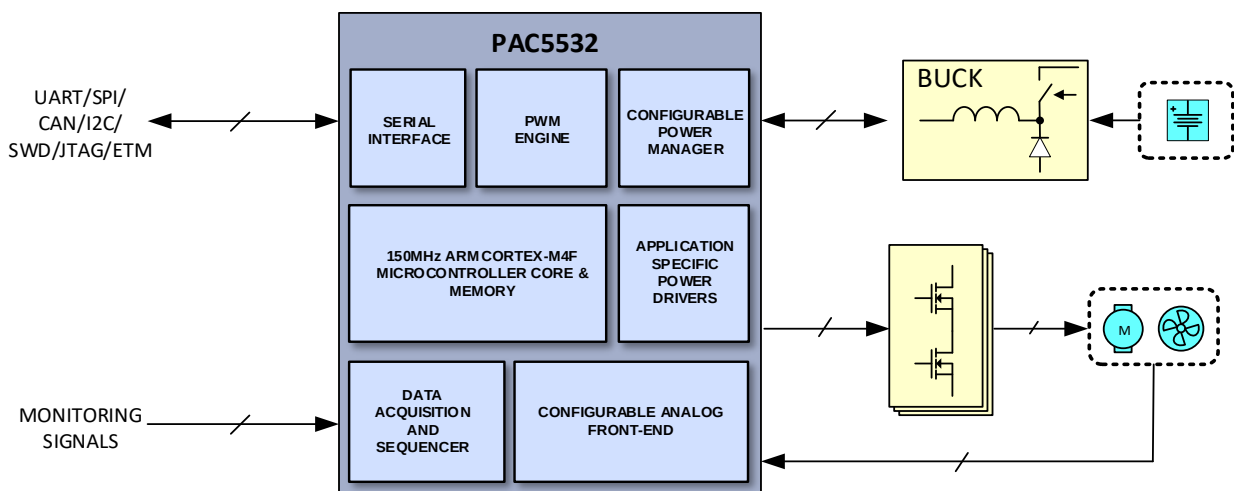
## 2 PAC FAMILY APPLICATIONS

The PAC5532 is ideal for battery powered applications between 48V and 120V.

Target applications for this device include:

- Power Tools
- Garden Tools
- Motor Controllers
- Drone/RC
- E-Bike
- E-Vehicle
- Ped-Electric Bikes
- Light HEV

Figure 2-1. Simplified Application Diagram



## 3 PRODUCT SELECTION SUMMARY

Table 3-1 Product Selection Summary

| PART NUMBER                       | PIN PKG           | POWER MANAGER |       | CONFIGURABLE ANALOG FRONT END |     |            |     |             | APPLICATION SPECIFIC POWER DRIVERS |                                    |                  | MICROCONTROLLER |            |           |      |   | PRIMARY APPLICATION   |
|-----------------------------------|-------------------|---------------|-------|-------------------------------|-----|------------|-----|-------------|------------------------------------|------------------------------------|------------------|-----------------|------------|-----------|------|---|---|
|                                   |                   | INPUT VOLTAGE | DC/DC | DIFF-PGA                      | PGA | COMPARATOR | DAC | ADC CHANNEL | VBST/VSRC                          | POWER DRIVER                       | PWM CHANNEL      | SPEED (MHz)     | FLASH (kB) | SRAM (kB) | GPIO | COMM  |   |
| <b>PAC5532</b><br><b>PAC5532A</b> | 51L<br>8x8<br>QFN | 25V-<br>160V  | Y     | 3                             | 4   | 10         | 2   | 13          | 160V                               | 3<br>LS<br>(2A)<br>3<br>HS<br>(2A) | 6@VP<br>16@VCCIO | 150             | 128        | 32        | 29   | UART<br>SPI<br>I2C<br>CAN<br>SWD<br>JTAG<br>ETM | 3 half-bridge<br>3 phase control<br><br>BEMF<br>Trapezoidal or<br>FOC |

Notes: DIFF-PGA = differential programmable gain amplifier; HS = high-side, LS = low-side, PGA = programmable gain amplifier, VSRC = Bootstrap Voltage Source

## 4 ORDERING INFORMATION

Table 4-1 Ordering Information

| PART NUMBER       | TEMPERATURE RANGE | PACKAGE     | PINS             | PACKING |
|-------------------|-------------------|-------------|------------------|---------|
| <b>PAC5532QX</b>  | -40°C to 125°C    | 51L 8x8 QFN | 51 + Exposed Pad | Tray    |
| <b>PAC5532AQX</b> | -40°C to 125°C    | 51L 8x8 QFN | 51 + Exposed Pad | Tray    |

# 5 FEATURES

## 5.1 Feature Overview

- **Configurable Power Manager**
  - High-voltage buck switching supply controller
    - Input Voltage: 25V – 160V
    - Configurable Output Voltage: 12V or 15V
  - 5V medium-voltage switching supply regulator
  - 4 Linear regulators with power and hibernate management
  - Power and temperature monitor, warning, fault detection
- **Proprietary Configurable Analog Front-End**
  - 10 Analog Front-End IO pins
  - 3 Differential Programmable Gain Amplifiers
  - 4 Single-ended Programmable Gain Amplifiers
  - Programmable Over-Current Protection
  - 10 Comparators
  - 2 10-bit DACs
- **Proprietary Application Specific Power Drivers**
  - 3 180V high-side gate drivers with 2A gate driving capability
  - 3 low-side gate drivers with 2A gate driving capability
  - Configurable propagation delay and fault protection
- **3.3V I/Os**
- **150MHz Arm® Cortex®-M4F 32-bit Microcontroller Core**
  - Single-cycle 32-bit x 32-bit hardware multiplier
  - 32-bit hardware divider
  - DSP Instructions and Saturation Arithmetic Support
  - Integrated sleep and deep sleep modes
  - Single-precision Floating Point Unit (FPU)
  - 8-region Memory Protection Unit (MPU)
  - Nested Vectored Interrupt Controller (NVIC) with 32 Interrupts with 8 levels of priority
  - 24-Bit SysTick Timer
  - Wake-up Interrupt Controller (WIC) allowing power-saving sleep modes
  - Clock-gating allowing low-power operation
  - Embedded Trace Macrocell (ETM) for in-system debugging at real-time without breakpoints
- **Memory**
  - 128kB FLASH
  - 32kB SRAM with ECC
  - 2 x 1kB INFO FLASH area for manufacturing information
  - 1 x 1kB INFO FLASH area for user parameter storage and application configuration or code
  - Code Protection
- **Analog to Digital Converter (ADC)**
  - 12-bit resolution
  - 2.5MSPS
  - Programmable Dynamic Triggering and Sampling Engine (DTSE)
- **I/O**
  - 16 general-purpose I/Os with tri-state, pull-up, pull-down and dedicated I/O supply
  - 7 I/Os can be configured as ADC input or digital I/O

- Configurable weak pull-up and pull-down
- Configurable drive strength (6mA to 25mA minimum)
- Dedicated Integrated IO power supply (3.3V)
- Flexible peripheral MUX allowing each IO pin to be configured with one of up to 8 peripheral functions
- Flexible Interrupt Controller
- **Flexible Clock Control System (CCS)**
  - 300MHz PLL from internal 1.25% oscillator
  - 20MHz Ring Oscillator
  - 20MHz External Clock Input
- **Timing Generators**
  - Four 16-bit timers with up to 32 PWM/CC blocks
    - 16 Programmable Hardware Dead-time generators
    - Up to 300MHz input clock for high-resolution PWM
  - 16-bit Windowed Watchdog Timer (WWDT)
  - 24-bit Real-time Clock (RTC) with Calendar and Alarm Functions
  - 24-bit SysTick Timer
  - 2 x 24-bit General-purpose count-down timers with interrupt
  - Wake-up timer for sleep modes from 0.125s to 8s
- **Communication Peripherals**
  - 2 x USART
    - SPI or UART modes
    - SPI Master/Slave, up to 25MHz
    - UART, up to 1Mbps
  - I2C Master/Slave
  - CAN 2.0A/B Controller
  - Single Wire Debugger (SWD)
  - JTAG
  - Embedded Trace Macrocell (ETM)
- **4-Level User-Configurable Code Protection**
- **96-bit Unique ID**
- **CRC Engine**
  - Offloads software for communications and safety protocol through hardware acceleration
  - Configurable Polynomial (CRC-16 or CRC-8)
  - Configurable Input Data Width, Input and Output Reflection
  - Programmable Seed Value

## 6 ABSOLUTE MAXIMUM RATINGS

The table below shows the absolute maximum ratings for this device.

To prevent damage to the device, do not exceed these limits. Exposure to the absolute maximum rating conditions for long periods of time may affect device reliability.

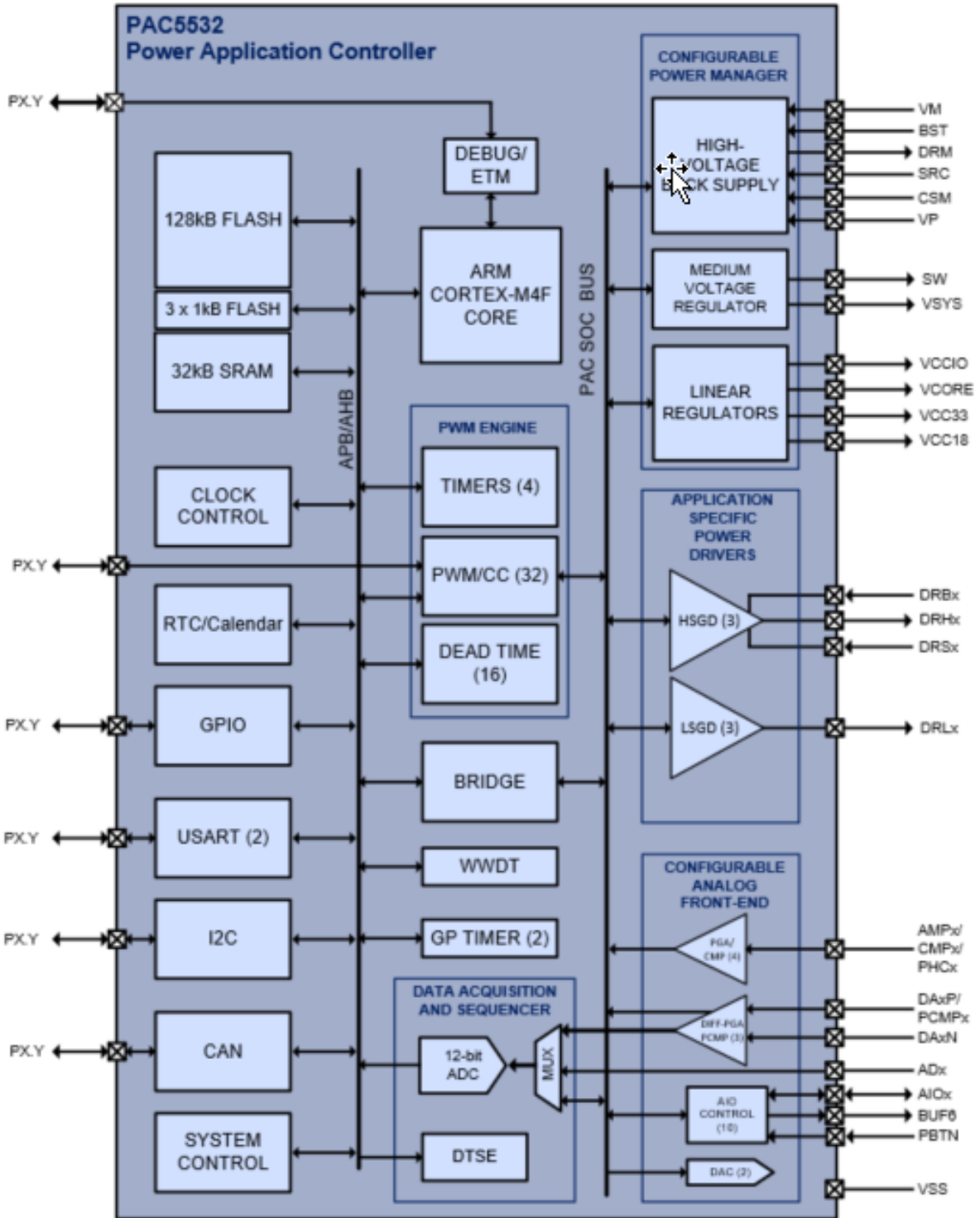
The device is not guaranteed to function properly outside of the operating conditions.

**Table 6-1 Absolute Maximum Ratings**

| PARAMETER  | VALUE                       | UNIT      |    |
|--|-----------------------------|-----------|----|
| VM to VSS  | -0.3 to 160                 | V         |    |
| BST to VSS   | -0.3 to 180                 | V         |    |
| BST to SRC   | -0.3 to 20                  | V         |    |
| SRC to VSS   | -10 to VM + 15              | V         |    |
| DRM to SRC   | -0.3 to 20                  | V         |    |
| VP to VSS  | -0.3 to 20                  | V         |    |
| SW to VSS  | -0.3 to $V_P + 0.3$         | V         |    |
| CSM to VP  | -0.3 to 0.3                 | V         |    |
| VSYS, AIO6 to VSS                                    | -0.3 to 6                   | V         |    |
| AIO<9:7>, AIO<5:0> to VSS                            | -0.3 to $V_{SYS} + 0.3$     | V         |    |
| PC<x>, PE<x>, PF<x> to VSS                           | -0.3 to $V_{CCIO} + 0.3$    | V         |    |
| PC<x>, PE<x>, PF<x> pin injection current            | 25                          | mA        |    |
| PC<x>, PE<x>, PF<x> sum of all pin injection current | 50                          | mA        |    |
| VCC33, VCCIO to VSS                                  | -0.1 to 4.1                 | V         |    |
| VCORE to VSS   | -0.1 to 1.44                | V         |    |
| VCC18 to VSS   | -0.1 to 2.5                 | V         |    |
| DRL0, DRL1, DRL2 to VSS                              | -0.3 to $V_P + 0.3$         | V         |    |
| DRB3, DRB4, DRB5 to VSS                              | -0.3 to 180                 | V         |    |
| DRS3, DRS4, DRS5 to VSS                              | -10 to VM + 15              | V         |    |
| DRB3 to DRS3, DRB4 to DRS4, DRB5 to DRS5             | -0.3 to 20                  | V         |    |
| DRH3 to DRS3, DRH4 to DRS4, DRH5 to DRS5             | -0.3 to $V_{DRBx} + 0.3$    | V         |    |
| VSS RMS Current                                      | 0.2                         | $A_{RMS}$ |    |
| Operating ambient temperature range ( $T_A$ )        | -40 to 125                  | °C        |    |
| Electrostatic Discharge (ESD)                        | Human body model (JEDEC)    | 2         | kV |
|  | Charge device model (JEDEC) | 1         | kV |

# 7 ARCHITECTURAL BLOCK DIAGRAM

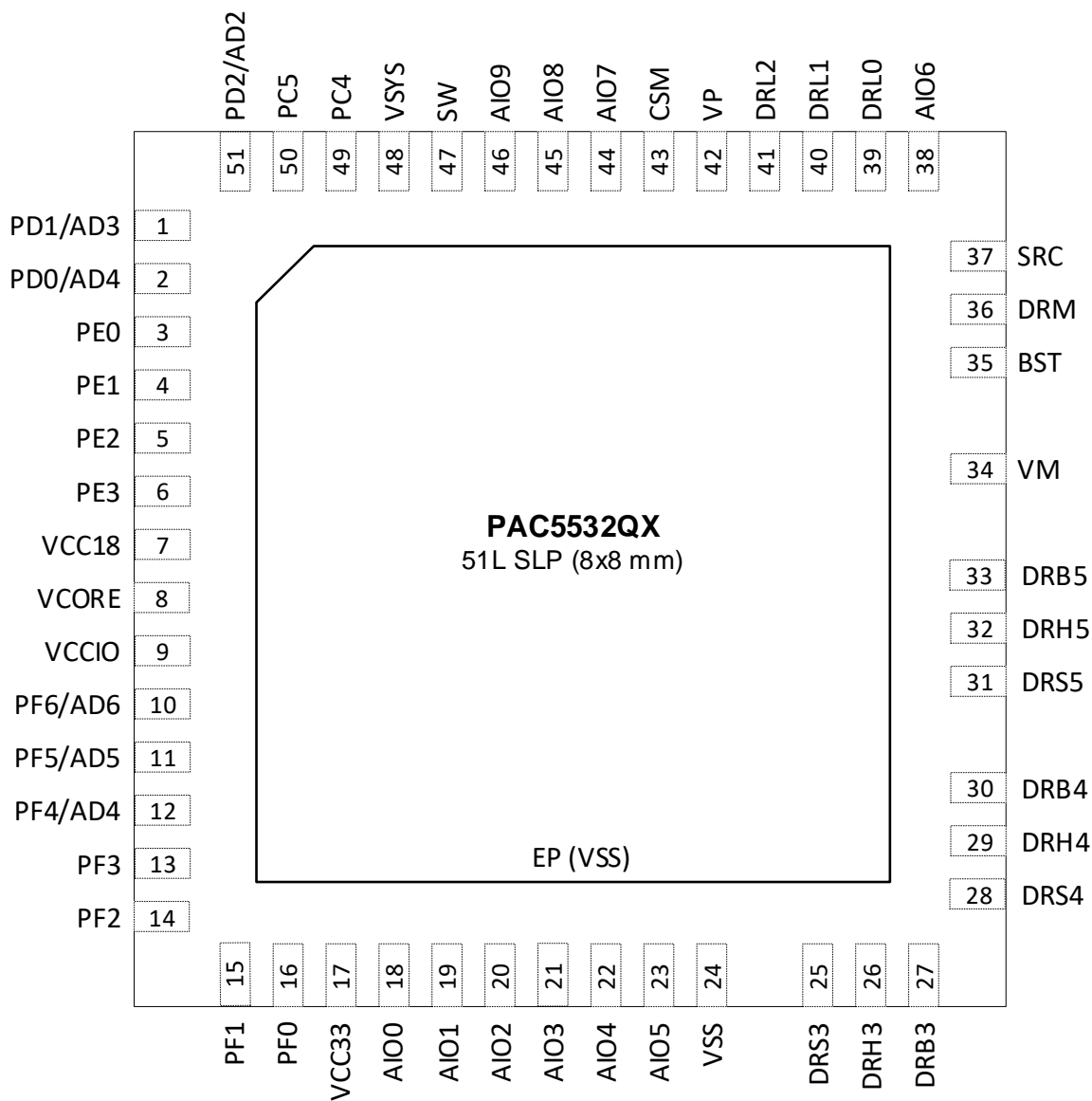
Figure 7-1 Architectural Block Diagram



# 8 PIN CONFIGURATION

## 8.1 PAC5532QX

Figure 8-1 PAC5532QX Pin Diagram



## 9 PIN DESCRIPTION

### 9.1 Power and Ground Pin Description

Table 9-1 Power and Ground Pin Description

| PIN NAME | PIN NUMBER | TYPE  | DESCRIPTION  |
|----------|------------|-------|--|
| VCC18    | 7          | Power | Internally generated digital I/O 1.8V power supply. Connect a 2.2 $\mu$ F or higher value ceramic capacitor from V <sub>CC18</sub> to V <sub>SSA</sub> .   |
| VCORE    | 8          | Power | Internally generated 1.2V core power supply. Connect a 2.2 $\mu$ F or higher value ceramic capacitor from V <sub>CORE</sub> to V <sub>SSA</sub> .  |
| VCCIO    | 9          | Power | Internally generated digital I/O 3.3V power supply. Connect a 2.2 $\mu$ F or higher value ceramic capacitor from V <sub>CCIO</sub> to V <sub>SSA</sub> .   |
| VCC33    | 17         | Power | Internally generated 3.3V power supply. Connect to a 2.2 $\mu$ F or higher value ceramic capacitor from V <sub>CC33</sub> to V <sub>SSA</sub> .  |
| VSS      | 24         | Power | Ground.  |
| VM       | 34         | Power | High-Voltage Buck Regulator supply controller input. Connect a 1 $\mu$ F or higher value ceramic capacitor, or a 0.1 $\mu$ F ceramic capacitor in parallel with a 10 $\mu$ F or higher electrolytic capacitor from VM to VSS. This pin requires good capacitive bypass to V <sub>SS</sub> , so the ceramic capacitor must be connected with a shorter than 10mm trace from the pin.  |
| BST      | 35         | Power | High-Voltage Buck Regulator bootstrap input. Connect a 2.2 $\mu$ F or higher value ceramic capacitor from BST to SRC with a shorter than 10mm trace from the pin.  |
| DRM      | 36         | Power | High-Voltage Buck Regulator Switching supply driver output. Connect to the base or gate of the external N-channel MOSFET.  |
| SRC      | 37         | Power | High-Voltage Buck Regulator Source. Connect to the source of the high-side power MOSFET of the high-voltage buck regulator.  |
| VP       | 42         | Power | Main power supply. Provides power to the power drivers as well as voltage feedback path for the switching supply. Connect a properly sized supply bypass capacitor in parallel with a 10 $\mu$ F ceramic capacitor in parallel with a 100 $\mu$ F aluminum capacitor from V <sub>P</sub> to V <sub>SS</sub> for voltage loop stabilization. If the switching frequency of the HV-BUCK is $\geq$ 200kHz, then the 100 $\mu$ F aluminum capacitor can be replaced with 47 $\mu$ F, but the efficiency will be worse.<br><br>This pin requires good capacitive bypassing to V <sub>SS</sub> , so the ceramic capacitor must be connected with a shorter than 10mm trace from the pin. |
| CSM      | 43         | Power | High-Voltage Buck Regulator Switching supply current sense input. Connect to the positive side of the current sense resistor.  |
| SW       | 47         | Power | Switch node for the medium-voltage buck regulator.   |
| VSYS     | 48         | Power | 5V System power supply. Connect to a 22 $\mu$ F/10V (20%) or higher ceramic capacitor from V <sub>SYS</sub> to V <sub>SS</sub> .   |
| EP (VSS) | EP         | Power | Exposed pad. Must be connected to V <sub>SS</sub> in a star ground configuration. Connect to a large PCB copper area for power dissipation heat sinking.   |



## 9.2 Signal Manager Pin Description

Table 9-2 Signal Manager Pin Description

| PIN NAME | PIN NUMBER | FUNCTION | TYPE   | DESCRIPTION                         |
|----------|------------|----------|--------|-------------------------------------|
| AIO0     | 18         | AIO0     | I/O    | Analog front end I/O 0.             |
|          |            | DA0N     | Analog | Differential PGA 10 negative input. |
| AIO1     | 19         | AIO1     | I/O    | Analog front end I/O 1.             |
|          |            | DA0P     | Analog | Differential PGA 10 positive input. |
| AIO2     | 20         | AIO2     | I/O    | Analog front end I/O 2.             |
|          |            | DA1N     | Analog | Differential PGA 32 negative input. |
| AIO3     | 21         | AIO3     | I/O    | Analog front end I/O 3.             |
|          |            | DA1P     | Analog | Differential PGA 32 positive input. |
| AIO4     | 22         | AIO4     | I/O    | Analog front end I/O 4.             |
|          |            | DA2N     | Analog | Differential PGA 54 negative input. |
| AIO5     | 23         | AIO5     | I/O    | Analog front end I/O 5.             |
|          |            | DA2P     | Analog | Differential PGA 54 positive input. |
| AIO6     | 38         | AIO6     | I/O    | Analog front end I/O 6.             |
|          |            | AMP6     | Analog | PGA input 6.                        |
|          |            | CMP6     | Analog | Comparator input 6.                 |
|          |            | BUF6     | Analog | Buffer output 6.                    |
|          |            | PBTN     | Analog | Push button input.                  |
| AIO7     | 44         | AIO7     | I/O    | Analog front end I/O 7.             |
|          |            | AMP7     | Analog | PGA input 7.                        |
|          |            | CMP7     | Analog | Comparator input 7.                 |
|          |            | PHC7     | Analog | Phase comparator input 7.           |
| AIO8     | 45         | AIO8     | I/O    | Analog front end I/O 8.             |
|          |            | AMP8     | Analog | PGA input 8.                        |
|          |            | CMP8     | Analog | Comparator input 8.                 |
|          |            | PHC8     | Analog | Phase comparator input 8.           |
| AIO9     | 46         | AIO9     | I/O    | Analog front end I/O 9.             |
|          |            | AMP9     | Analog | PGA input 9.                        |
|          |            | CMP9     | Analog | Comparator input 9.                 |
|          |            | PHC9     | Analog | Phase comparator input 9.           |

### 9.3 Driver Manager Pin Description

Table 9-3 Driver Manager Pin Description

| PIN NAME | PIN NUMBER | TYPE   | DESCRIPTION                        |
|----------|------------|--------|------------------------------------|
| DRS3     | 25         | Analog | High-side gate driver source 3.    |
| DRH3     | 26         | Analog | High-side gate driver 3.           |
| DRB3     | 27         | Analog | High-side gate driver bootstrap 3. |
| DRS4     | 28         | Analog | High-side gate driver source 4.    |
| DRH4     | 29         | Analog | High-side gate driver 4.           |
| DRB4     | 30         | Analog | High-side gate driver bootstrap 4. |
| DRS5     | 31         | Analog | High-side gate driver source 5.    |
| DRH5     | 32         | Analog | High-side gate driver 5.           |
| DRB5     | 33         | Analog | High-side gate driver bootstrap 5. |
| DRL0     | 39         | Analog | Low-side gate driver 0.            |
| DRL1     | 40         | Analog | Low-side gate driver 1.            |
| DRL2     | 41         | Analog | Low-side gate driver 2.            |

## 9.4 I/O Ports Pin Description

Table 9-4 I/O Ports Pin Description

| PIN NAME | PIN NUMBER | FUNCTION | TYPE         | DESCRIPTION <sup>1</sup> |
|----------|------------|----------|--------------|--------------------------|
| PD1/AD3  | 1          | PD1      | I/O          | I/O port PD1.            |
|          |            | AD3      | Analog Input | ADC channel ADC3.        |
| PD0/AD4  | 2          | PD0      | I/O          | I/O port PD0.            |
|          |            | AD4      | Analog Input | ADC channel ADC4.        |
| PE0      | 3          | PE0      | I/O          | I/O port PE0.            |
| PE1      | 4          | PE1      | I/O          | I/O port PE1.            |
| PE2      | 5          | PE2      | I/O          | I/O port PE2.            |
| PE3      | 6          | PE3      | I/O          | I/O port PE3.            |
| PF6/AD6  | 10         | PF6      | I/O          | I/O port PF6.            |
|          |            | AD6      | Analog Input | ADC channel ADC6.        |
| PF5/AD5  | 11         | PF5      | I/O          | I/O port PF5.            |
|          |            | AD5      | Analog Input | ADC channel ADC5.        |
| PF4/AD4  | 12         | PF4      | I/O          | I/O port PF4.            |
|          |            | AD4      | Analog Input | ADC channel ADC4.        |
| PF3      | 13         | PF3      | I/O          | I/O port PF3.            |
| PF2      | 14         | PF2      | I/O          | I/O port PF2.            |
| PF1      | 15         | PF1      | I/O          | I/O port PF1.            |
| PF0      | 16         | PF0      | I/O          | I/O port PF0.            |
| PC4      | 49         | PC4      | I/O          | I/O port PC4.            |
| PC5      | 50         | PC5      | I/O          | I/O port PC5.            |
| PD2/AD2  | 51         | PD2      | I/O          | I/O port PD2.            |
|          |            | AD2      | Analog Input | ADC channel ADC2.        |

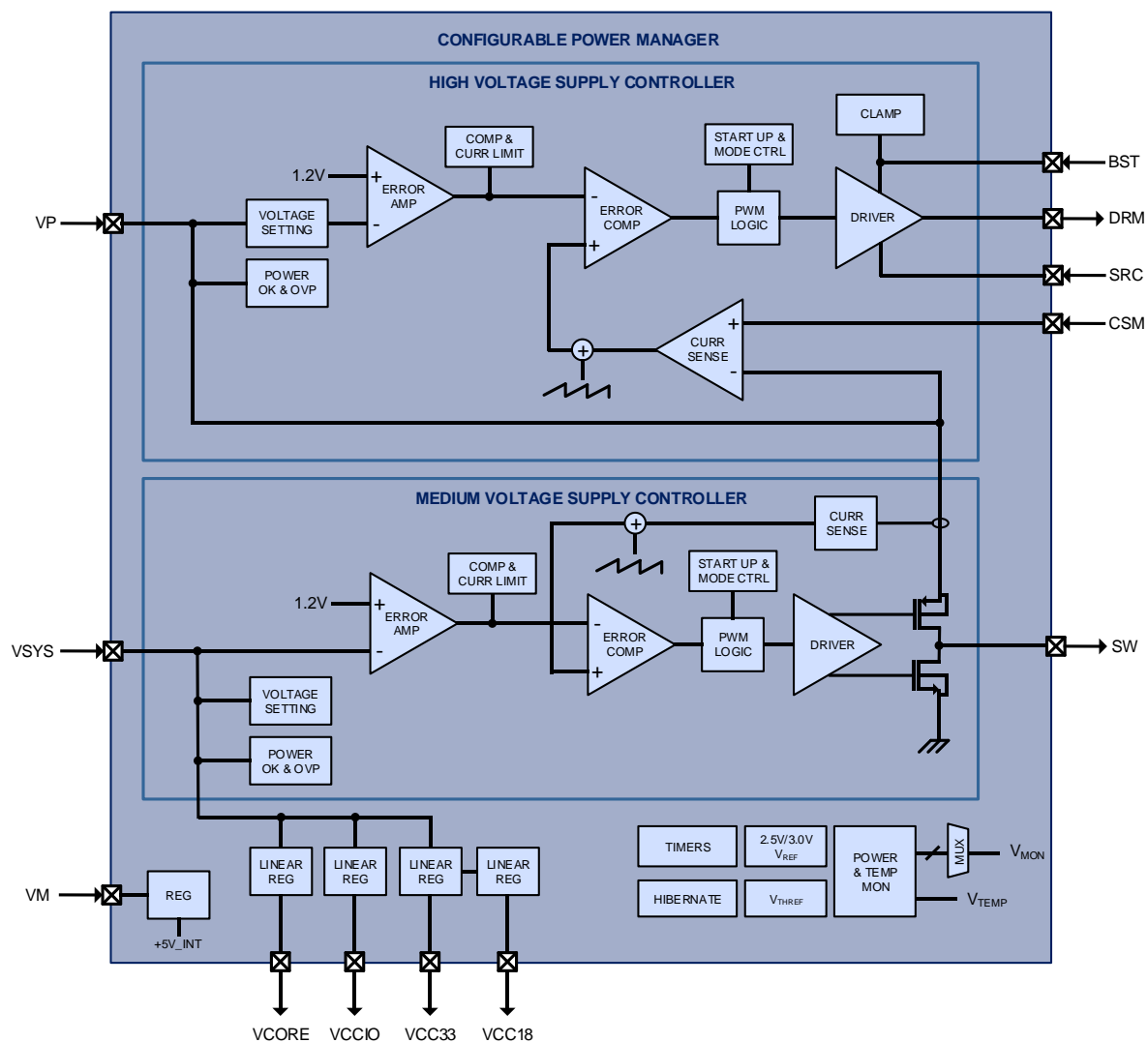
<sup>1</sup> For a full description of all of the pin configurations for each digital I/O, see the Digital Peripheral MUX in the PAC55XX Family User Guide.

# 10 CONFIGURABLE POWER MANAGER (CPM)

## 10.1 Features

- 160V Buck DC/DC Controller (HV Buck)
  - 25V – 160V input
- 5V Switching Regulator (MV Buck)
- 4 linear regulators with power and hibernate management, including  $V_{REF}$  for ADC
- Power and temperature monitor, warning, and fault detection

Figure 10-1 CPM Block Diagram



## 10.2 Functional Description

The Configurable Power Manager (Figure 10-1) is optimized to efficiently provide “all-in-one” power management required by the PAC and associated application circuitry. It incorporates a high-voltage power supply controller that is used to convert power from a DC input source to generate a main supply output  $V_P$ . There is also an integrated medium-voltage buck DC/DC regulator to generate  $V_{SYS}$ .

Four other linear regulators provide  $V_{CCIO}$ ,  $V_{CC33}$ ,  $V_{CC18}$  and  $V_{CORE}$  supplies for 3.3V I/O, 3.3V mixed signal, MCU FLASH and 1.2V microcontroller core circuitry. The power manager also handles system functions including internal reference generation, timers, hibernate mode management, and power and temperature monitoring.

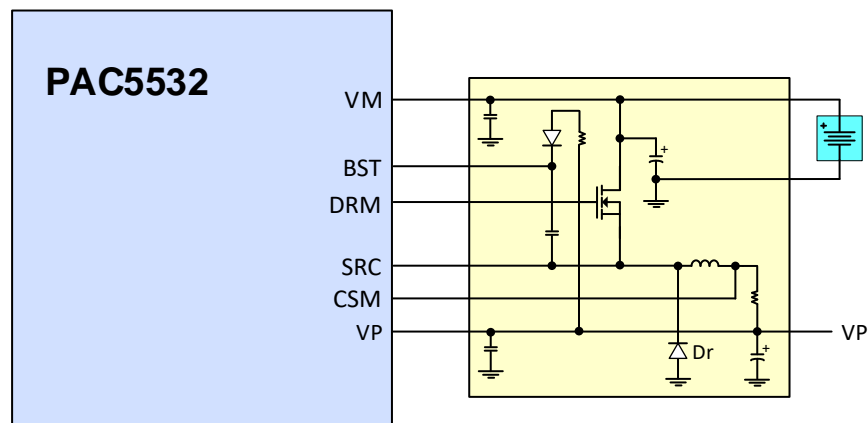
## 10.3 High-Voltage Supply Controller (HV-BUCK)

The PAC5532 contains a High-Voltage Supply Controller for a Buck DC/DC. This power supply is used to supply the various regulators in the PAC5532, as generating the  $V_P$  gate drive voltage for the Application Specific Driver Manager (ASPD).

The HV-BUCK controller drives an external power MOSFET for pulse-width modulation switching of an inductor or transformer for power conversion. The VM is the HV-BUCK supply controller input. The DRM output drives the gate of the N-CH MOSFET between the  $V_M$  on state and  $V_{SS}$  off state at proper duty cycle and switching frequency to ensure that the main supply voltage  $V_P$  is regulated. The gate of the high-side power MOSFET is connected to the DRM pin and the source of the high-side power MOSFET is connected to SRC.

The  $V_P$  regulation voltage is initially set to 15V during start up, and can be reconfigured to be 15V by the microcontroller after initialization. When  $V_P$  is lower than the target regulation voltage, the internal feedback control circuitry causes the inductor current to increase to raise  $V_P$ . Conversely, when  $V_P$  is higher than the regulation voltage, the feedback loop control causes the inductor current to decrease to lower  $V_P$ . The feedback loop is internally stabilized. The output current capability of the switching supply is determined by the external current sense resistor. The inductor current signal is sensed differentially between the CSM pin and  $V_P$ , and has a peak current limit threshold of 0.2V.

Figure 10-2 HV-BUCK Example



The switching frequency and output voltage of the HV-BUCK can be reconfigured by the MCU. The switching frequency can be configured to be between 50kHz and 400kHz and the gate drive output voltage can be configured to either 12V or 15V to work for a range of MOSFET or IGBT based inverters.

The Rectifier Diode (Dr) must be a low QRR diode.

### 10.3.1 HV-BUCK Re-start Handling

The HV-BUCK has a safety re-start mechanism that protects the device and external components in case of a DC/DC failure. This mechanism samples VM and VP when the MV-BUCK is re-started and may insert a delay before it allows the power supply to be re-started, in case of some type of short or damage with the power supply components on the PCB.

The re-start handling operates as described below.

In PAC5532, if the DC/DC has been disabled due to VM falling below  $V_{UVLOF;VM}$ , VM is sampled and if  $VM > 10V$ , then a 350ms delay is inserted, before sampling VM again and attempting a re-start of the DC/DC. Once the delay has expired and  $VM > V_{UVLOR;VM}$ , then the DC/DC will re-start. If VM falls below 8V, the DC/DC will re-start as an initial start-up without the 350ms delay.

In PAC5532A, if the DC/DC has been disabled due to VM falling below  $V_{UVLOF;VM}$ , VM is sampled and as soon as  $VM > V_{UVLOR;VM}$ , then the DC/DC will re-start. In this case, there is no delay before the re-start of the DC/DC.

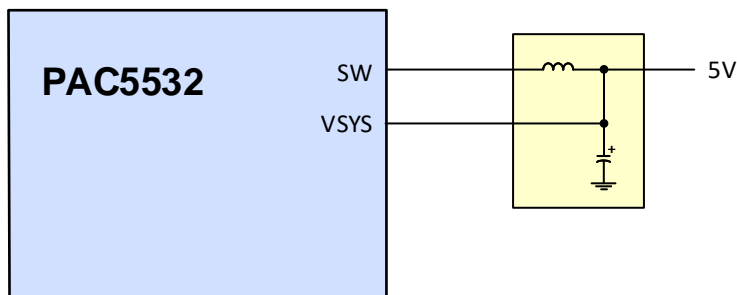
In both PAC5532 and PAC5532A, if VM is  $> VM$  UVLO falling ( $V_{UVLOF;VM}$ ) but VP  $< VP$  UVLO falling ( $V_{UVLOF;VP}$ ) then the DC/DC is disabled and a 350ms delay is inserted. After this delay, the DC/DC is re-started.

## 10.4 Medium-Voltage Buck Regulator (MV-BUCK)

The PAC5532 contains a Medium-Voltage Buck Switching Regulator that generates a 5V, 200mA supply for the device, as well as PCB functions.

The SW pin is the switch node of the Buck regulator. The Power MOSFET is integrated, so connect this pin to VSYS through an external inductor. The VSYS pin is the 5V regulator output, which should be bypassed to ground.

Figure 10-3 MV-BUCK Switching Regulator Example

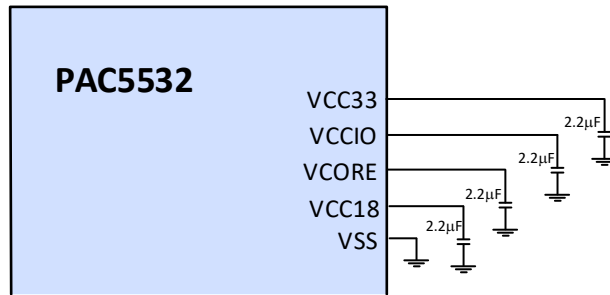


The output of VSYS is fixed at 5V and the switching frequency is 1.33MHz. This regulator supplies at least 200mA. This buck regulator offers better thermal and efficiency performance.

## 10.5 Linear Regulators

The CPM includes four additional linear regulators. VSYS supplies these three regulators. Once VSYS is above 4.5V, the four additional linear regulators for VCCIO, VCC33, VCC18 and VCORE supplies sequentially power up.

Figure 10-4 Linear Regulators Example

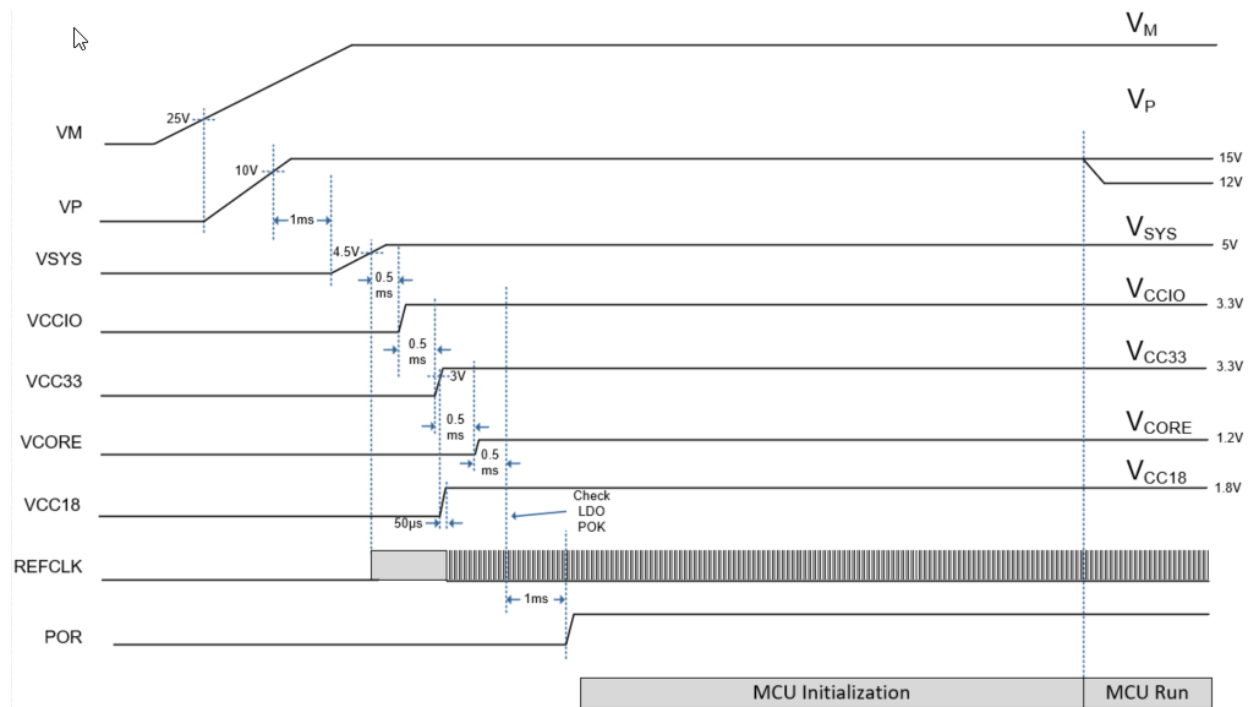


The figure above shows typical circuit connections for the linear regulators. The VCCIO regulator generates a dedicated 3.3V supply for IO. The VCC33 and VCORE regulators generate 3.3V and 1.2V, respectively. When VSYS and the four LDOs above are all above their respective power good thresholds, and the configurable power on reset duration has expired, the microcontroller is initialized.<sup>2</sup>

## 10.6 Power-up Sequence

The CPM follows a typical power up sequence as shown in Figure 10-5 below.

Figure 10-5 Power-Up Sequence



A typical sequence begins with motor power supply (VM) being applied and rising to 25V. When VM rises to 25V, the HV-BUCK controller is started and VP starts to rise. When VP rises over the UVLO rising threshold, then there is a 1ms delay and then the MV-BUCK is enabled. When VSYS rises to 4.5V, then there is a 0.5ms delay and the VCCIO LDO is enabled. Then there is a 0.5ms delay and the VCC33 LDO

<sup>2</sup> Note that the VCORE LDO may not have any additional load on it from the PCB. The only components connected to VCORE should be a bypass capacitor to ground.

is enabled. After the VCC33 LDO reaches 3V, then VCC18 LDO is enabled. Also 0.5ms after the VCC33 LDO is enabled, the VCORE LDO is enabled.

There is then a 0.5ms delay and the power good threshold of all LDOs is checked. If all are OK, then there is an additional 1ms delay, then the POR signal is asserted to the MCU and it begins executing firmware.

During the firmware initialization process, the MCU may change the VP output voltage setting from the default value of 15V to 12V.

## 10.7 Hibernate Mode

The IC can go into an ultra-low power hibernate mode via the microcontroller firmware or via the optional push button (PBTN, see *Push Button* description in *Configurable Analog Front End*). In hibernate mode, only a minimal amount (typically 19 $\mu$ A at 56V) of current is used by  $V_M$ , and the CPM controller and all internal regulators are shut down to eliminate power drain from the output supplies. The system exits hibernate mode after a wake-up timer duration (configurable from 125ms to 8s or infinite) has expired or, if push button enabled, after an additional push button event has been detected. When exiting the hibernate mode, the power manager goes through the start up cycle and the microcontroller is reinitialized. Only the persistent power manager status bits (resets and faults) are retained during hibernation.

## 10.8 Power and Temperature Monitor

Whenever any of the  $V_{SYS}$ ,  $V_{CCIO}$ ,  $V_{CC33}$ ,  $V_{CC18}$  or  $V_{CORE}$  power supplies falls below their respective power good threshold voltage, a fault event is detected and the microcontroller is reset. The microcontroller stays in the reset state until  $V_{SYS}$ ,  $V_{CCIO}$ ,  $V_{CC33}$ , and  $V_{CORE}$  supply rails are all good again and the reset time has expired. A microcontroller reset can also be initiated by a maskable temperature fault event that occurs when the IC temperature reaches 165°C. The fault status bits are persistent during reset, and can be read by the microcontroller upon re-initialization to determine the cause of previous reset.

A power monitoring signal  $V_{MON}$  is provided onto the ADC pre-multiplexer for monitoring various internal power supplies.  $V_{MON}$  can be set to be one of the following monitored supplies:  $V_{CORE}$ ,  $0.4 \cdot V_{CORE}$ ,  $0.4 \cdot V_{CC33}$ ,  $0.4 \cdot V_{CCIO}$ ,  $0.4 \cdot V_{SYS}$ ,  $V_{PTAT}^3$  or  $0.1 \cdot V_P$ .

For power and temperature warning, an IC temperature warning event at 140°C are provided as a maskable interrupt to the microcontroller. This warning allows the microcontroller to safely power down the system.

In addition to the temperature warning interrupt and fault reset, a temperature monitor signal is provided onto the ADC pre-multiplexer for IC temperature measurement.

This value has a compensation coefficient available in INFO FLASH that can be used to obtain an accurate temperature. The parameter VT300K will be stored in INFO FLASH and will indicate the compensation factor.

The die temperature in degrees Kelvin can then be obtained by the following formula:

---

<sup>3</sup> VPTAT is voltage proportional with absolute temperature from the temperature sensing circuit. The VPTAT voltage can be sampled by the ADC through the voltage monitoring MUX. See the PAC5532 Device User Guide for more information.



$$T_{\text{KELVIN}} = 300 * (V_{\text{PTAT}} + 0.075) / (V_{\text{T300K}} + 0.075)$$

For information on the location of this temperature coefficient, see the PAC5532 Device User Guide.

## 10.9 Voltage Reference

The reference block includes a 1.2V high-precision reference voltage used internally and for all the LDOs. There is also a high-accuracy 2.5V/3.0V programmable reference for the ADC  $V_{\text{REF}}$  on the MCU. There is also a 4-level programmable threshold voltage  $V_{\text{THREF}}$  (0.1V, 0.2V, 0.5V, and 1.25V).

## 10.10 Electrical Characteristics

**Table 10-1 High-Voltage Buck Controller Electrical Characteristics**

( $V_M = 30V$ ,  $V_P = 12V$  and  $T_J = 25^\circ C$  unless otherwise specified)

| SYMBOL           | PARAMETER                           | CONDITIONS   | MIN  | TYP  | MAX        | UNIT    |
|------------------|-------------------------------------|--|------|------|------------|---------|
| $I_{HIB;VM}$     | $V_M$ hibernate mode supply current | Hibernate mode, $V_M = 56V$                                |      | 19   | 26         | $\mu A$ |
|                  |                                     | Hibernate mode, $V_M = 80V$                                |      | 22.5 |            | $\mu A$ |
| $V_{UVLOR;VM}$   | $V_M$ UVLO rising                   |  | 23   | 25   | 27         | V       |
| $V_{UVLOF;VM}$   | $V_M$ UVLO hysteresis               |  |      | 8    |            | V       |
| $V_{REF;VP}$     | $V_P$ output regulation voltage     | Set to 12V   | -5%  | 12   | -5%        | V       |
| $K_{POKR;VP}$    | $V_P$ power OK threshold            | $V_P$ rising   |      | 91   |            | %       |
| $K_{POKF;VP}$    |                                     | $V_P$ falling  |      | 87   |            | %       |
| $K_{OVR;VP}$     | $V_P$ OV protection threshold       | $V_P$ rising, blanking = 10 $\mu s$                        |      | 130  |            | %       |
| $t_{ONMIN;DRM}$  | DRM minimum on time                 |  | 90   | 200  | 300        | ns      |
| $t_{OFFMIN;DRM}$ | DRM minimum off time                |  | 390  | 600  | 1150       | ns      |
| $V_{UVLOR;VP}$   | $V_P$ UVLO rising                   |  |      | 10   |            | V       |
| $V_{UVLOF;VP}$   | $V_P$ UVLO falling                  |  |      | 8    |            | V       |
| $V_{CSM;ILIM}$   | CSM current limit threshold         |  | -12% | 0.2  | 12%        | V       |
| $F_{S;DRM}$      | Switching frequency                 | Frequency setting: 50kHz, 100kHz (default), 200kHz, 400kHz | -5   |      | 5          | %       |
| $I_{SOURCE;DRM}$ | DRM output high source current      |  |      | 100  |            | mA      |
| $I_{SINK;DRM}$   | DRM output low sink current         |  |      | 200  |            | mA      |
|                  | HV-BUCK inductor value              |  |      | 100  |            | $\mu H$ |
| $I_{DSG}$        | Discharge current                   |  |      | 10   |            | mA      |
| $V_{VM}$         | Motor voltage range                 |  | 0    |      | 160        | V       |
| $V_{SRC;VSS}$    | SRC to ground range                 |  | -10  |      | $V_M + 10$ | V       |
| $V_{SRC;VM}$     | SRC to VM range                     |  |      |      | 10         | V       |
| $V_{BST;VSS}$    | BST to ground range                 |  |      |      | 175        | V       |

**Table 10-2 Medium-Voltage Buck Controller Electrical Characteristics**

( $V_M = 30V$ ,  $V_P = 12V$  and  $T_J = 25^\circ C$  unless otherwise specified)

| SYMBOL             | PARAMETER                         | CONDITIONS                       | MIN       | TYP  | MAX      | UNIT    |
|--------------------|-----------------------------------|----------------------------------|-----------|------|----------|---------|
| $V_{SYS}$          | $V_{SYS}$ output voltage accuracy |                                  | -3%       | 5    | 3%       | V       |
| $F_{SW}$           | Switching frequency               |                                  | -5%       | 1.33 | 5%       | MHz     |
| $I_{SYS,LIM}$      | $V_{SYS}$ current limit           |                                  | 420       |      | 550      | mA      |
| $I_{SYS}$          | $V_{SYS}$ output current          | $V_{SYS} > 3V$                   | 200       |      |          | mA      |
|                    |                                   | $V_{SYS} < 2.5V$                 | 100       |      |          | mA      |
| $V_{POK;V_{SYS}}$  | $V_{SYS}$ power OK threshold      | Rising                           | 4.25      | 4.5  | 4.75     | V       |
|                    |                                   | Falling                          |           | 4.2  |          | V       |
|                    | $V_{SYS}$ power OK blanking delay |                                  |           | 10   |          | $\mu s$ |
|                    | MV-BUCK inductor value            | Current rating of at least 750mA | 6.8 – 20% |      | 10 + 20% | $\mu H$ |
| $V_{UVLO;V_{SYS}}$ | $V_{SYS}$ UVLO                    | Rising                           |           | 4.5  |          | V       |
|                    |                                   | Falling                          |           | 4.2  |          | V       |
| $V_{OVP;V_{SYS}}$  | $V_{SYS}$ OVP                     | Rising                           |           | 5.5  |          | V       |
|                    |                                   | Falling                          |           | 5.2  |          | V       |

**Table 10-3 Linear Regulators Electrical Characteristics**

( $V_P = 12V$  and  $T_A = -40^\circ C$  to  $125^\circ C$  unless otherwise specified)

| SYMBOL          | PARAMETER                       | CONDITIONS                     | MIN | TYP | MAX | UNIT    |
|-----------------|---------------------------------|--------------------------------|-----|-----|-----|---------|
| $V_{CCIO}$      | $V_{CCIO}$ output voltage       | Load = 1mA                     | -3% | 3.3 | 3%  | V       |
| $V_{CC33}$      | $V_{CC33}$ output voltage       | Load = 1mA                     | -3% | 3.3 | 3%  | V       |
| $V_{CORE}^4$    | $V_{CORE}$ output voltage       | Load = 1mA                     | -3% | 1.2 | 3%  | V       |
| $V_{CC18}$      | $V_{CC18}$ output voltage       |                                |     | 1.8 |     | V       |
| $I_{LIM;VCCIO}$ | $V_{CCIO}$ current limit        |                                | 40  | 65  |     | mA      |
| $I_{LIM;VCC33}$ | $V_{CC33}$ current limit        |                                | 40  | 65  |     | mA      |
| $I_{LIM;VCORE}$ | $V_{CORE}$ current limit        |                                | 40  | 65  |     | mA      |
|                 | LDO current fold back           |                                |     | 50  |     | %       |
| $t_{POK;BLANK}$ | Power OK blanking delay         | $V_{CCIO}, V_{CC33}, V_{CORE}$ |     | 10  |     | $\mu s$ |
| $R_{DISCH}$     | Output discharge resistance     | LDO off                        |     | 300 |     | Ohm     |
| $C_{VCCIO}$     | VCCIO stable output capacitance |                                | 1   |     | 4.7 | $\mu F$ |
| $C_{VCC33}$     | VCC33 stable output capacitance |                                | 1   |     | 4.7 | $\mu F$ |
| $C_{VCORE}$     | VCORE stable output capacitance |                                | 1   |     | 4.7 | $\mu F$ |
| $C_{VCC18}$     | VCC18 stable output capacitance |                                | 1   |     | 4.7 | $\mu F$ |
| $t_{POK;VCC18}$ | VCC18 power OK time             | $C_{VCC18} = 1\mu F$           |     |     | 50  | $\mu s$ |
| $V_{LDO;POK}$   | LDO power OK rising threshold   | Hysteresis = 10%               | 85  | 90  | 95  | %       |

<sup>4</sup> Note that the VCORE LDO may not have any other loads. The only connection to the VCORE pin should be a bypass capacitor to ground.

## 10.11 Typical Performance Characteristics

( $T_A = 25^\circ\text{C}$  unless otherwise specified)

Figure 10-6 VDDIO LDO Voltage vs. Current

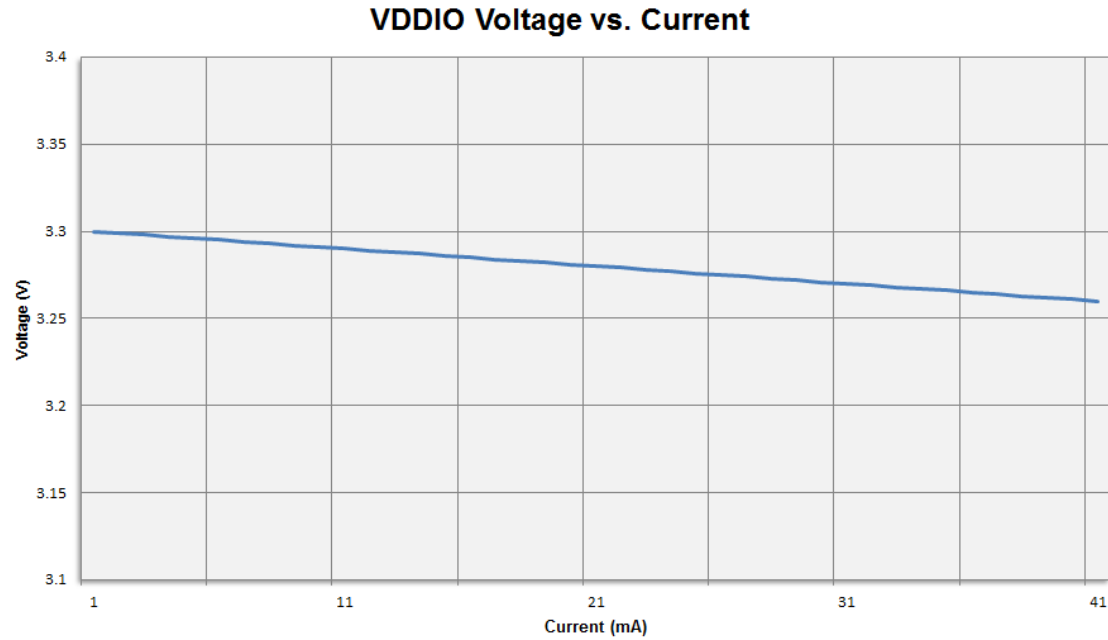


Figure 10-7 VCC33 LDO Voltage vs. Current

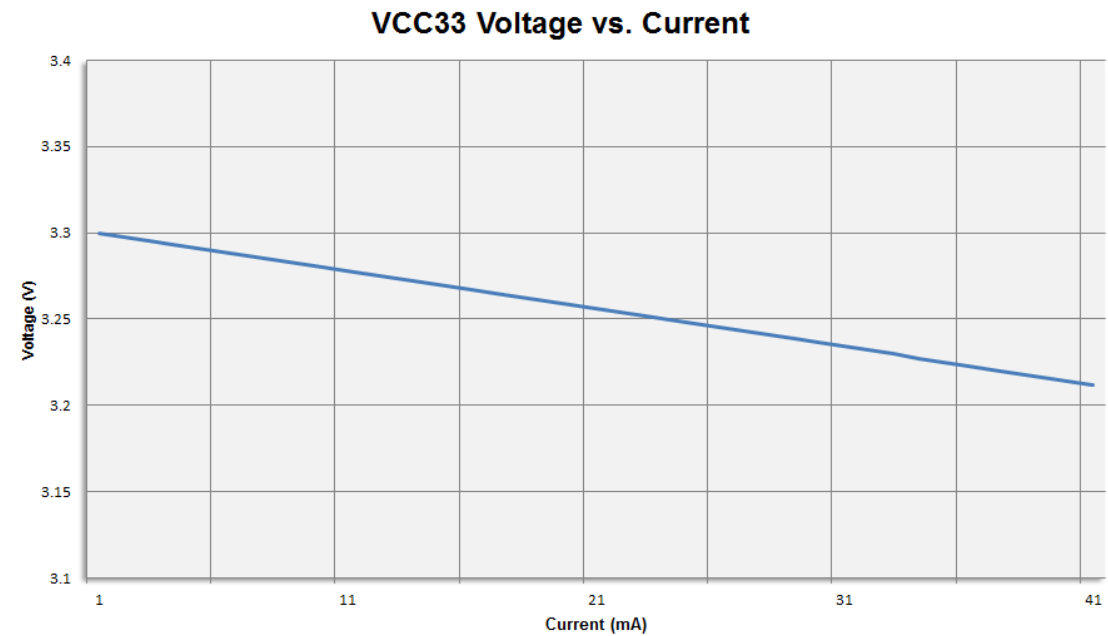
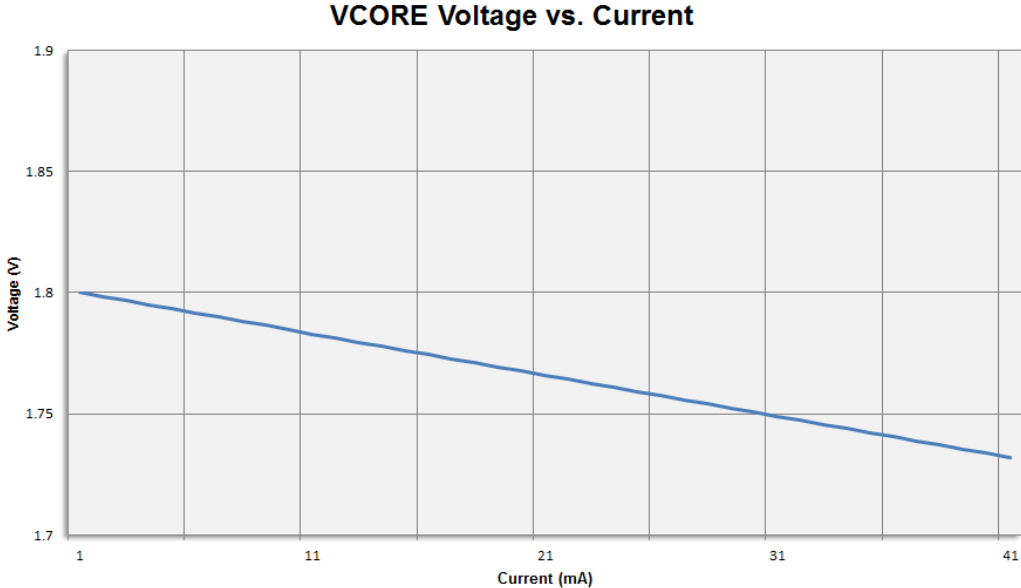


Figure 10-8 VCORE LDO Voltage vs. Current



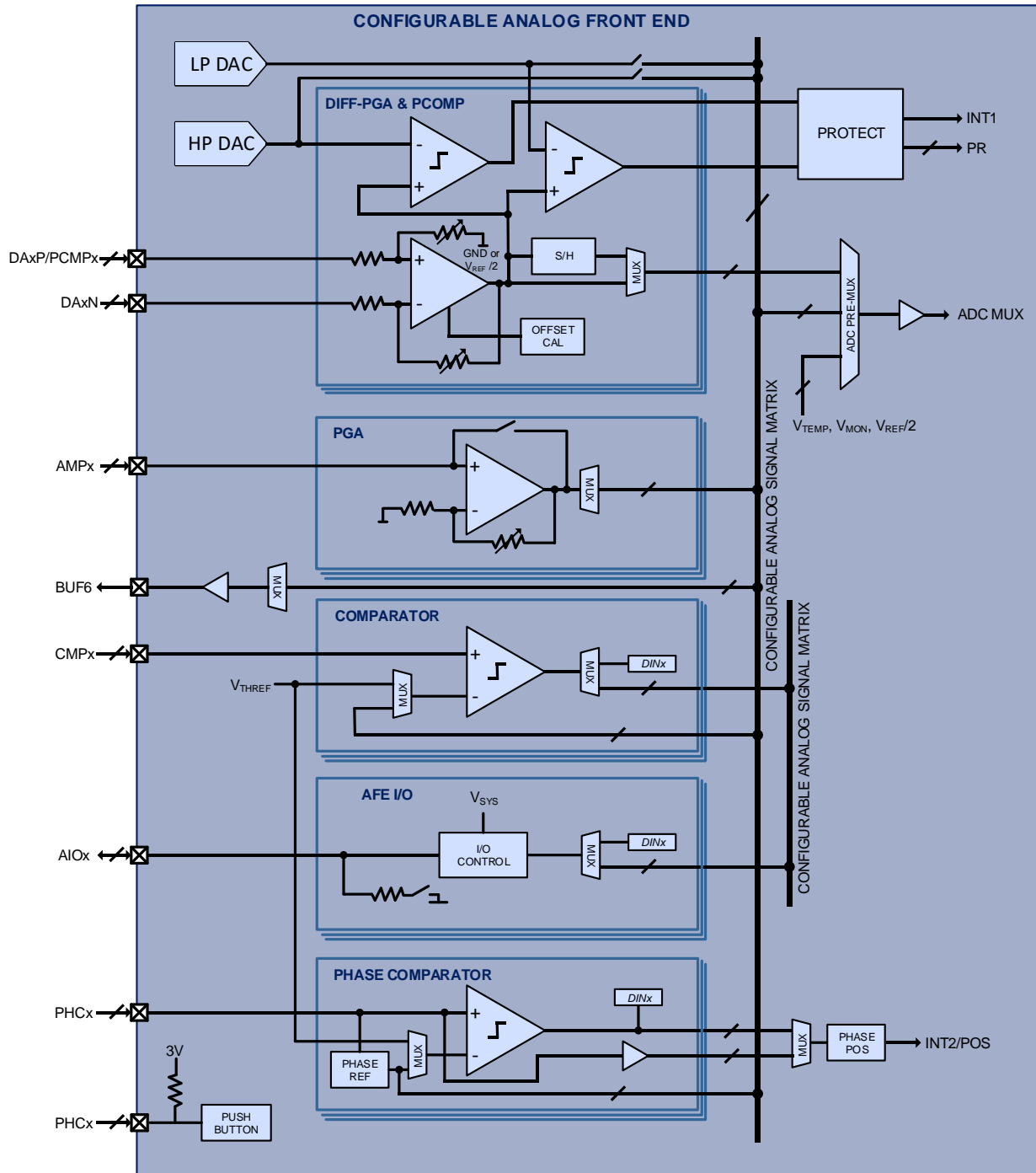
# 11 CONFIGURABLE ANALOG FRONT END (CAFE)

## 11.1 Features

- 10 Configurable Analog I/O signals
  - Gain mode, comparator mode, I/O mode, special mode
- 3 High-Performance, Configurable Differential Amplifiers
- 4 High-Performance, Configurable Single-Ended Amplifiers
- Two high-speed comparators with protection functions
- Phase to phase, phase to center-tap modes
- Bi-directional, asymmetric configurable comparator hysteresis
- Push-button input for entering/exiting hibernate mode

## 11.2 Block Diagram

Figure 11-1 Configurable Analog Front End





### 11.3 Functional Description

The device includes a Configurable Analog Front End (CAFE, Figure 11-1) accessible through 10 analog and I/O pins. These pins can be configured to form flexible interconnected circuitry made up of 3 differential programmable gain amplifiers, 4 single-ended programmable gain amplifiers, 4 general purpose comparators, 3 phase comparators, 2 protection comparators, and one buffer output. These pins can also be programmed as analog feed-through pins, or as analog front end I/O pins that can function as digital inputs or digital open-drain outputs. The PAC proprietary configurable analog signal matrix (CASM) and configurable digital signal matrix (CDSM) allow real time asynchronous analog and digital signals to be routed in flexible circuit connections for different applications. A push button function is provided for optional push button on, hibernate, and off power management function.

### 11.4 Differential Programmable Gain Amplifier (DA)

The DAXP and DAXN pin pair are positive and negative inputs, respectively, to a differential programmable gain amplifier. The differential gain can be programmable to be 1x, 2x, 4x, 8x, 16x, 32x, and 48x for zero ohm signal source impedance. The differential programmable gain amplifier has -0.3V to 2.5V input common mode range, and its output can be configured for routing directly to the ADC pre-multiplexer, or through a sample-and-hold circuit synchronized with the ADC auto-sampling mechanism. Each differential amplifier is accompanied by offset calibration circuitry, and two protection comparators for protection event monitoring. The programmable gain differential amplifier is optimized for use with signal source impedance lower than 500Ω and with matched source impedance on both positive and negative inputs for minimal offset. The effective gain is scaled by  $13.5k / (13.5k + R_{SOURCE})$ , where  $R_{SOURCE}$  is the matched source impedance of each input.

### 11.5 Single-Ended Programmable Gain Amplifier (AMP)

Each AMPx input goes to a single-ended programmable gain amplifier with signal relative to  $V_{SS}$ . The amplifier gain can be programmed to be 1x, 2x, 4x, 8x, 16x, 32x, and 48x, or as analog feed-through. The programmable gain amplifier output is routed via a multiplexer to the configurable analog signal matrix CASM.

### 11.6 General Purpose Comparator (CMP)

The general purpose comparator takes the CMPx input and compares it to either the programmable threshold voltage ( $V_{THREF}$ ) or a signal from the configurable analog signal matrix CASM. The comparator has 0V to  $V_{SYS}$  input common mode range, and its polarity-selectable output is routed via a multiplexer to either a data input bit or the configurable digital signal matrix CDSM. Each general purpose comparator has two mask bits to prevent or allow rising or falling edge of its output to trigger second microcontroller interrupt INT2, where INT2 can be configured to active protection event PR.

### 11.7 Phase Comparator (PHC)

The phase comparator takes the PHCx input and compares it to either the programmable threshold voltage ( $V_{THREF}$ ) or a signal from the configurable analog signal matrix CASM. The comparison signal can be set to a phase reference signal generated by averaging the PHCx input voltages. In a three-phase motor control application, the phase reference signal acts as a virtual center tap for BEMF detection. The PHCx inputs are optionally fed through to the CASM. The PHC inputs can be compared to the virtual center-tap, or phase to phase for the most efficient BEMF zero-cross detection.

The phase comparator signals can also be configured to the other two phase comparators (between AIO7, AIO8 and AIO9), to perform phase to phase comparisons.

The comparator blanking time is configurable. The blanking time configuration supports bi-directional and asymmetric configurations, which enables hysteresis for rising and falling signals.

The phase comparator has 0V to  $V_{SYS}$  input common mode range, and its polarity-selectable output is routed to a data input bit and to the phase/position multiplexer synchronized with the auto-sampling sequencers.

## 11.8 Protection Comparator (PCMP)

Two protection comparators are provided in association with each differential programmable gain amplifier, with outputs available to trigger protection events and accessible as read-back output bits. The HP comparator compares the amplifier output to the 10-bit HP DAC output voltage, with full scale voltage of 2.5V. The limit protection (LP) comparator compares the differential programmable gain amplifier output to the 10-bit LP DAC output voltage, with full scale voltage of 2.5V.

Each protection comparator has a mask bit to prevent or allow it to trigger the main microcontroller interrupt INT1. Each protection comparator also has one mask bit to prevent or allow it to activate protection event PR. These two protection events can be used directly by protection circuitry in the Application Specific Power Drivers (ASPD) to protect devices being driven.

## 11.9 Analog Output Buffer (BUF)

A subset of the signals from the configurable analog signal matrix CASM can be multiplexed to the BUF6 pin for external use. The buffer offset voltage can be minimized with the built-in swap function.

## 11.10 Analog Front End I/O (AIO)

The PAC5532 has 10 AIOx pins that are available. In the analog front end I/O mode, the pin can be configured to be a digital input or digital open-drain output. The AIOx input or output signal can be set to a data input or output register bit, or multiplexed to one of the signals in the configurable digital signal matrix CDSM. The signal can be set to active high (default) or active low, with  $V_{SYS}$  supply rail. Where AIO<sub>6,7,8,9</sub> supports microcontroller interrupt for external signals. Each has two mask bits to prevent or allow rising or falling edge of its corresponding digital input to trigger second microcontroller interrupt INT2.

## 11.11 Push Button (PBTN)

The push button PBTN, when enabled, can be used by the MCU to detect a user active-low push button event and to put the system into an ultra-low-power hibernate mode. Once the system is in hibernate mode, PBTN can be used to wake up the system.

In addition, PBTN can also be used as a hardware reset for the microcontroller when it is held low for longer than 8s during normal operation. The PBTN input is active low and has a 55k $\Omega$  pull-up resistor to 3V.

## 11.12 HP DAC and LP DAC

The 10-bit HP DAC can be used as the comparison voltage for the high-speed protection (HP) comparators, or routed for general purpose use via the AB2 signal in the CASM. The HP DAC output full scale voltage is 2.5V.

The 10-bit LP DAC can be used as the comparison voltage for the limit protection (LP) comparators, or routed for general purpose use via the AB3 signal in the CASM. The LP DAC output full scale voltage is 2.5V.

### 11.13 ADC Pre-Multiplexer

The ADC pre-multiplexer is a 16-to-1 multiplexer that selects between the 3 differential programmable gain amplifier outputs, AB1 through AB9, temperature monitor signal ( $V_{TEMP}$ ), power monitor signal ( $V_{MON}$ ), and offset calibration reference ( $V_{REF} / 2$ ). The ADC pre-multiplexer can be directly controlled or automatically scanned by the auto-sampling sequencer.

When the ADC pre-multiplexer is automatically scanned, the unbuffered or sensitive signals should be masked by setting appropriate register bits.

### 11.14 Configurable Analog Signal Matrix (CASM)

The CASM has 12 general purpose analog signals labeled AB1 through AB9 that can be used for:

- Routing the single-ended programmable gain amplifier or analog feed-through output to AB1 through AB9
- Routing an analog signal via AB1, AB2, or AB3 to the negative input of a general purpose comparator or phase comparator
- Routing the 10-bit HP DAC output to AB2
- Routing the 10-bit LP DAC output to AB3
- Routing analog signals via AB1 through AB12 to the ADC pre-multiplexer
- Routing phase comparator feed-through signals to AB7, AB8, and AB9, and averaged voltage to AB1

### 11.15 Configurable Digital Signal Matrix (CDSM)

The CDSM has 7 general purpose bi-directional digital signals labeled DB1 through DB7 that can be used for:

- Routing the AIOx input to or output signals from DB1 through DB7
- Routing the general purpose comparator output signals to DB1 through DB7

### 11.16 Cycle-by-cycle Current Limit

The PAC5532 contains hardware support for cycle by cycle current limit. The user may configure this feature to use the LPCOMP DAC as the current threshold. The CAFE will automatically perform duty cycle truncation to lower current at any time the associated phase current is greater than the setting of the LPCOMP DAC.

### 11.17 Temperature Protection

The PAC5532 contains an internal temperature sensor that detects temperature warnings and faults.

When the device temperature reaches the temperature warning threshold (140°C), the device sets an over-temperature warning condition. The user may configure a mask-able interrupt the MCU for this condition.

When the device temperature reaches the temperature fault threshold (165 °C), the device is shut down. There is no interrupt for this condition.

For more details on the register settings for over-temperature protection see the PAC5532 User Guide and related application notes.

## 11.18 Electrical Characteristics

**Table 11-1 Differential Programmable Gain Amplifier (DA) Electrical Characteristics (AIO<5:0>)**

(T<sub>A</sub> = -40°C to 125°C unless otherwise specified.)

| SYMBOL                | PARAMETER  | CONDITIONS   | MIN  | TYP | MAX                       | UNIT |
|-----------------------|--|--|------|-----|---------------------------|------|
| V <sub>ICMR,DA</sub>  | Input common mode range                                    |  | -0.3 |     | 2.5                       | V    |
| V <sub>OLR,DA</sub>   | Output linear range  |  | 0.1  |     | V <sub>SYS</sub><br>- 0.1 | V    |
| V <sub>SHR,DA</sub>   | Sample and hold range                                      |  | 0.1  |     | 3.5                       | V    |
| I <sub>CC,DA</sub>    | Operating supply current                                   | Each enabled amplifier   |      | 150 |                           | μA   |
| V <sub>OS,DA</sub>    | Input offset voltage                                       | Gain = 8x  | -8   |     | 8                         | mV   |
| k <sub>CMRR,DA</sub>  | Common mode rejection ratio                                |  | 50   | 80  |                           | dB   |
|                       | Slew rate  | Gain = 8x  | 10   |     |                           | V/μs |
| R <sub>INDIF,DA</sub> | Differential input impedance                               |  |      | 27  |                           | kΩ   |
| t <sub>ST,DA</sub>    | Settling time  | To 1% of final value   |      |     | 360                       | ns   |
| A <sub>VZI,DA</sub>   | Differential amplifier gain<br>(zero ohm source impedance) | Gain = 1x  |      | 1   |                           |      |
|                       |  | Gain = 2x  |      | 2   |                           |      |
|                       |  | Gain = 4x  |      | 4   |                           |      |
|                       |  | Gain = 8x, V <sub>DAXP</sub> =V <sub>DAXN</sub> =0V, T <sub>A</sub> = 25°C |      | 8   |                           |      |
|                       |  |  | -2   |     | 2                         | %    |
|                       |  | Gain = 16x   |      | 16  |                           |      |
|                       |  | Gain = 32x   |      | 32  |                           |      |
|                       | Gain = 48x   |  | 48   |     |                           |      |

**Table 11-2 Single-Ended Programmable Gain Amplifier (AMP) Electrical Characteristics (AIO<9:6>)**

 (V<sub>sys</sub> = 5V, V<sub>CCIO</sub> = 3.3V and T<sub>A</sub> = -40°C to 125°C unless otherwise specified.)

| SYMBOL                | PARAMETER                | CONDITIONS   | MIN | TYP | MAX                    | UNIT |
|-----------------------|--------------------------|--|-----|-----|------------------------|------|
| V <sub>ICMR;AMP</sub> | Input common mode range  |  | 0   |     | V <sub>sys</sub>       | V    |
| V <sub>OLR;AMP</sub>  | Output linear range      |  | 0.1 |     | V <sub>sys</sub> - 0.1 | V    |
| I <sub>CC;AMP</sub>   | Operating supply current | Each enabled amplifier                                     |     | 80  | 120                    | μA   |
| V <sub>OS;AMP</sub>   | Input offset voltage     | Gain = 8x  | -10 |     | 10                     | mV   |
|                       | Slew rate                | Gain = 1x  | 10  |     |                        | V/μs |
| t <sub>ST;AMP</sub>   | Settling time            | To 1% of final value                                       |     |     | 360                    | ns   |
| A <sub>V;AMP</sub>    | Amplifier gain           | Gain = 1x  |     | 1   |                        | %    |
|                       |                          | Gain = 2x  |     | 2   |                        |      |
|                       |                          | Gain = 4x  |     | 4   |                        |      |
|                       |                          | Gain = 8x, V <sub>AMPx</sub> =125mV, T <sub>A</sub> = 25°C |     | 8   |                        |      |
|                       |                          |  | -2  |     | 2                      |      |
|                       |                          | Gain = 16x   |     | 16  |                        |      |
|                       |                          | Gain = 32x   |     | 32  |                        |      |
| Gain = 48x            |                          | 48   |     |     |                        |      |
| t <sub>ST;AMP</sub>   | Settling time            | To 1% of final value                                       |     |     | 350                    | ns   |

**Table 11-3 General Purpose Comparator (CMP) Electrical Characteristics (AIO<9:6>)**

 (T<sub>A</sub> = -40°C to 125°C unless otherwise specified.)

| SYMBOL                   | PARAMETER                  | CONDITIONS              | MIN | TYP | MAX              | UNIT |
|--------------------------|----------------------------|-------------------------|-----|-----|------------------|------|
| V <sub>ICMR;CMP</sub>    | Input common mode range    |                         | 0   |     | V <sub>sys</sub> | V    |
| I <sub>CC;CMP</sub>      | Operating supply current   | Each enabled comparator |     | 35  |                  | μA   |
| V <sub>OS;CMP</sub>      | Input offset voltage       |                         | -10 |     | 10               | mV   |
| V <sub>HYS;CMP</sub>     | Hysteresis                 |                         |     | 22  |                  | mV   |
| t <sub>DEL;CMP</sub>     | Comparator delay           |                         |     |     | 1                | μs   |
| t <sub>DELMODE;CMP</sub> | Mode change blanking delay |                         |     | 10  |                  | μs   |

**Table 11-4 Phase Comparator (PHC) Electrical Characteristics (AIO<9:6>)**

 (V<sub>sys</sub> = 5V, V<sub>CC33</sub> = 3.3V and T<sub>A</sub> = -40°C to 125°C unless otherwise specified.)

| SYMBOL                | PARAMETER                | CONDITIONS              | MIN | TYP | MAX              | UNIT |
|-----------------------|--------------------------|-------------------------|-----|-----|------------------|------|
| V <sub>ICMR,PHC</sub> | Input common mode range  |                         | 0   |     | V <sub>sys</sub> | V    |
| I <sub>CC,PHC</sub>   | Operating supply current | Each enabled comparator |     | 35  |                  | μA   |
| V <sub>OS,PHC</sub>   | Input offset voltage     |                         | -10 |     | 10               | mV   |
| V <sub>HYS,PHC</sub>  | Hysteresis               |                         |     | 23  |                  | mV   |
| t <sub>DEL,PHC</sub>  | Comparator delay         | 10mV difference input   |     |     | 1                | μs   |

**Table 11-5 Special Mode Electrical Characteristics (AIO<9:7>)**

 (T<sub>A</sub> = -40°C to 125°C unless otherwise specified.)

| SYMBOL                 | PARAMETER                             | CONDITIONS               | MIN | TYP | MAX              | UNIT |    |
|------------------------|---------------------------------------|--------------------------|-----|-----|------------------|------|----|
| V <sub>ICMR,SPEC</sub> | Input common mode range               |                          | 0   |     | V <sub>sys</sub> | V    |    |
| I <sub>CC,SPEC</sub>   | Operating supply current              | Each enabled comparator  |     | 80  | 120              | μA   |    |
| V <sub>HYS,SPEC</sub>  | Comparator Hysteresis,<br>HYSMODE = 0 | AIO<9:7>HYS = 00b (0mV)  |     | 0   |                  | mV   |    |
|                        |                                       | AIO<9:7>HYS = 01b (6mV)  | 4   | 6   | 8                | mV   |    |
|                        |                                       | AIO<9:7>HYS = 10b (12mV) | 9   | 12  | 15               | mV   |    |
|                        |                                       | AIO<9:7>HYS = 11b (24mV) | 18  | 24  | 30               | mV   |    |
|                        | Comparator Hysteresis,<br>HYSMODE = 1 | AIO<9:7>HYS = 00b (0mV)  |     |     | 0                |      | mV |
|                        |                                       | AIO<9:7>HYS = 01b (24mV) | 18  | 24  | 30               | mV   |    |
|                        |                                       | AIO<9:7>HYS = 10b (48mV) | 36  | 48  | 60               | mV   |    |
|                        |                                       | AIO<9:7>HYS = 11b (96mV) | 72  | 96  | 120              | mV   |    |

**Table 11-6 Special Mode Electrical Characteristics (AIO6)**

 (T<sub>A</sub> = -40°C to 125°C unless otherwise specified.)

| SYMBOL                   | PARAMETER                | CONDITIONS | MIN | TYP | MAX              | UNIT |
|--------------------------|--------------------------|------------|-----|-----|------------------|------|
| V <sub>ICMR,SPEC</sub>   | Input common mode range  |            | 0   |     | V <sub>sys</sub> | V    |
| I <sub>CC,SPEC6</sub>    | Operating supply current |            |     | 60  |                  | μA   |
| V <sub>INOFF,SPEC6</sub> | Input offset voltage     |            | -20 |     | 20               | mV   |
| I <sub>OUT,SPEC6</sub>   | Output current           |            |     | 2   |                  | mA   |

**Table 11-7 Analog Front End (AIO) Electrical Characteristics (AIO<9:0>)**

 (T<sub>A</sub> = -40°C to 125°C unless otherwise specified.)

| SYMBOL              | PARAMETER                         | CONDITIONS                                       | MIN | TYP | MAX | UNIT |
|---------------------|-----------------------------------|--|-----|-----|-----|------|
| V <sub>AIO</sub>    | Pin voltage range                 |  | 0   |     | 5   | V    |
| V <sub>IH,AIO</sub> | High-level input voltage          |  | 2.2 |     |     | V    |
| V <sub>IL,AIO</sub> | Low-level input voltage           |  |     |     | 0.8 | V    |
| R <sub>PD,AIO</sub> | Pull-down resistance              | Input mode                                       |     | 1   |     | MΩ   |
| V <sub>OL,AIO</sub> | Low-level output voltage          | I <sub>AIOx</sub> =7mA, open-drain output mode   |     |     | 0.3 | V    |
| I <sub>OL,AIO</sub> | Low-level output sink current     | V <sub>AIOx</sub> = 0.4V, open-drain output mode | 6   | 14  |     | mA   |
| I <sub>LK,AIO</sub> | High-level output leakage current | V <sub>AIOx</sub> = 5V, open-drain output mode   |     | 0   | 10  | μA   |

**Table 11-8 Push Button (PBTN) Electrical Characteristics (AIO6)**

 (T<sub>A</sub> = -40°C to 125°C unless otherwise specified.)

| SYMBOL               | PARAMETER                | CONDITIONS                    | MIN | TYP | MAX | UNIT |
|----------------------|--------------------------|-------------------------------|-----|-----|-----|------|
| V <sub>I,PBTN</sub>  | Input voltage range      |                               | 0   |     | 5   | V    |
| V <sub>IH,PBTN</sub> | High-level input voltage |                               | 2.2 |     |     | V    |
| V <sub>IL,PBTN</sub> | Low-level input voltage  |                               |     |     | 0.8 | V    |
| R <sub>PU,PBTN</sub> | Pull-up resistance       | To 3V, push-button input mode |     | 50  |     | kΩ   |

**Table 11-9 HP DAC and LP DAC Electrical Characteristics**

 (T<sub>A</sub> = -40°C to 125°C unless otherwise specified.)

| SYMBOL              | PARAMETER             | CONDITIONS          | MIN   | TYP | MAX  | UNIT |
|---------------------|-----------------------|---------------------|-------|-----|------|------|
| V <sub>DACREF</sub> | DAC reference voltage | TA = 25°C           | -0.5% | 2.5 | 0.5% | V    |
|                     |                       | TA = -40°C to 125°C | -0.9% | 2.5 | 0.9% |      |
|                     | HP 10-bit DAC INL     |                     | -2    |     | 2    | LSB  |
|                     | HP 10-bit DAC DNL     |                     | -1    |     | 1    | LSB  |
|                     | LP 10-bit DAC INL     |                     | -2    |     | 2    | LSB  |
|                     | LP 10-bit DAC DNL     |                     | -1    |     | 1    | LSB  |

**Table 11-10 Temperature Protection**

| SYMBOL                   | PARAMETER                      | CONDITIONS | MIN | TYP | MAX | UNIT |
|--------------------------|--------------------------------|------------|-----|-----|-----|------|
| T <sub>WARN</sub>        | Temperature warning threshold  |            |     | 140 |     | °C   |
| T <sub>WARN;HYS</sub>    | Temperature warning hysteresis |            |     | 10  |     | °C   |
| T <sub>WARN;BLANK</sub>  | Temperature warning blanking   |            |     | 10  |     | μs   |
| T <sub>FAULT</sub>       | Temperature fault threshold    |            |     | 165 |     | °C   |
| T <sub>FAULT;HYS</sub>   | Temperature fault hysteresis   |            |     | 10  |     | °C   |
| T <sub>FAULT;BLANK</sub> | Temperature fault blanking     |            |     | 10  |     | μs   |



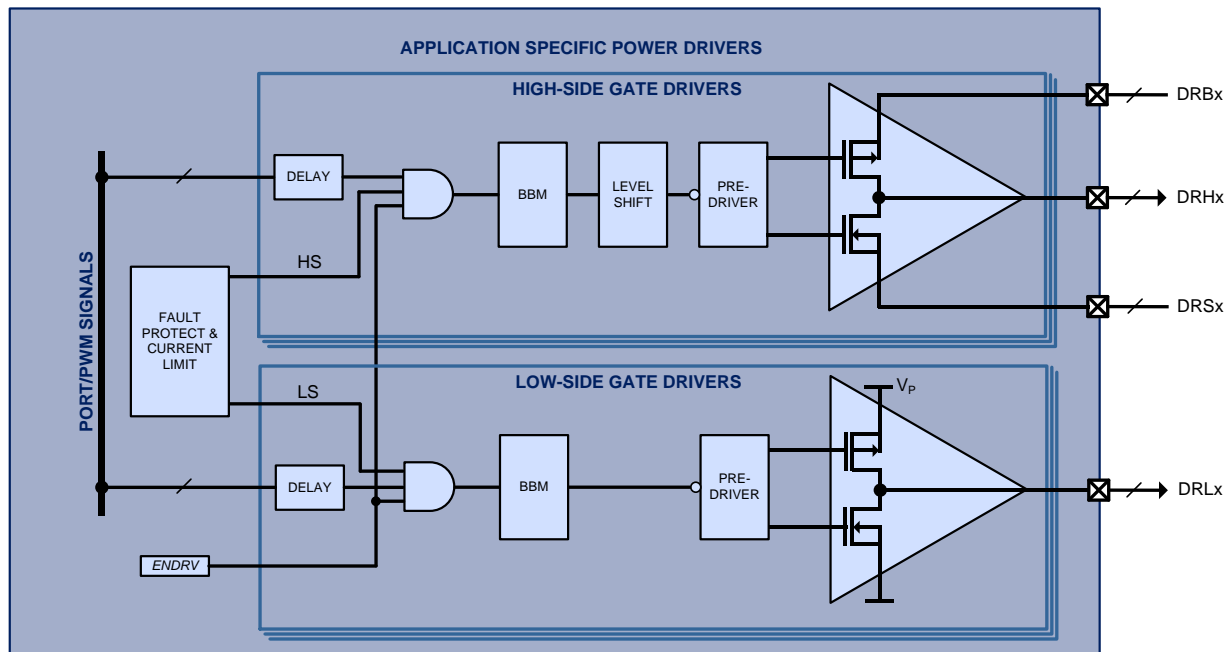
## 12 APPLICATION SPECIFIC POWER DRIVERS (ASPD)

### 12.1 Features

- 3 low-side and 3 high-side gate drivers
- 2A sink/source gate driving capability
- Configurable propagation delays
- Fast fault protection
- Cycle-by-cycle current limit function
- Configurable driver break-before-make (BBM) safety function

### 12.2 Block Diagram

Figure 12-1 Application Specific Power Drivers

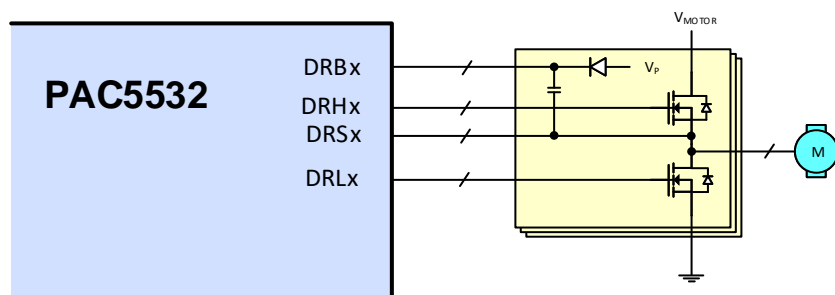


### 12.3 Functional Description

The Application Specific Power Drivers (ASPD, Figure 12-1) module handles power driving for power and motor control applications. The ASPD contains three low-side gate drivers (DRLx), three high-side gate drivers (DRHx). Each gate driver can drive an external MOSFET or IGBT switch in response to high-speed control signals from the microcontroller ports, and a pair of high-side and low-side gate drivers can form a half-bridge driver.

Figure 12-2 below shows typical gate driver connections and Table 12-1 shows the ASPD available resources. The ASPD gate drivers support up to a 180V source supply.

Figure 12-2 Typical Gate Driver Connections


**Table 12-1 Power Driver Resources by Part Numbers**

| PART NUMBER | LOW-SIDE GATE DRIVER |                     | HIGH-SIDE GATE DRIVER |                         |                     |
|-------------|----------------------|---------------------|-----------------------|-------------------------|---------------------|
|             | DRLx                 | SOURCE/SINK CURRENT | DRHx                  | SOURCE/BOOTSTRAP SUPPLY | SOURCE/SINK CURRENT |
| PAC5532     | 3                    | 2A/2A               | 3                     | 165V/180V               | 2A/2A               |

The ASPD includes built-in configurable fault protection for the internal gate drivers.

## 12.4 Low-Side Gate Driver

The DRLx low-side gate driver drives the gate of an external MOSFET or IGBT switch between the low-level power ground rail and high-level  $V_P$  supply rail. The DRLx output pin has sink and source output current capability of 2A. Each low-side gate driver is controlled by a microcontroller port signal with 4 configurable levels of propagation delay.

## 12.5 High-Side Gate Driver

The DRHx high-side gate driver drives the gate of an external MOSFET or IGBT switch between its low-level DRSx driver source rail and its high-level DRBx bootstrap rail. The DRSx pin can go up to 160V steady state ( $V_M + 15V$  maximum). The DRHx output pin has sink and source output current capability of 2A.

The DRBx bootstrap pin can have a maximum operating voltage of 15V relative to the DRSx pin, and up to 175V steady state. The DRSx pin can have a maximum operating voltage of 10V relative to the  $V_M$  pin. The DRSx pin is designed to tolerate momentary switching negative spikes down to -10V without affecting the DRHx output state. Each high-side gate driver is controlled by a microcontroller port signal with 4 configurable levels of propagation delay.

For bootstrapped high-side operation, connect an appropriate capacitor between DRBx and DRSx and a properly rated bootstrap diode from  $V_P$  to DRBx. To operate the DRHx output as a low-side gate driver, connect its DRBx pin to  $V_P$  and its DRSx pin to  $V_{SS}$ .

## 12.6 Power Drivers Control

All power drivers are initially disabled from power-on-reset. To enable the power drivers, the MCU must first enable the ASPD block. The gate drivers are controlled by the microcontroller ports and/or PWM signals with configurable delays as shown in Table 12-2 Power Driver Propagation Delay.

Refer to the PAC55XX Family User Guide and PAC5532 Device User Guide for additional information on power drivers control programming.

**Table 12-2 Power Driver Propagation Delay**

| DRLx  | DRHx  |
|-------|-------|
| 135ns | 155ns |

## 12.7 Gate Driver Fault Protection

The ASPD incorporates a configurable fault protection mechanism using protection signal from the Configurable Analog Front End (CAFE), designated as protection event 1 (PR) signal. The DRL0/DRL1/DRL2 drivers are designated as low-side group 1. The DRH3/DRH4/DRH5 gate drivers are designated as high-side group 1. The PR signal from the CAFE can be used to disable low-side group 1, high-side group 1, or both depending on the PR mask bit settings.

## 12.8 Electrical Characteristics

**Table 12-3 Gate Driver Electrical Characteristics**

 ( $V_P = 12V$ , and  $T_A = -40^{\circ}C$  to  $125^{\circ}C$  unless otherwise specified.)

| SYMBOL  | PARAMETER                               | CONDITIONS                  | MIN              | TYP         | MAX              | UNIT    |
|---|---|-----------------------------|------------------|-------------|------------------|---------|
| <b>Low-Side Gate Drivers (DRLx pins)</b>                    |   |                             |                  |             |                  |         |
| $V_{OH;DRL}$  | High-level output voltage               | $I_{DRLx} = -50mA$          | $V_P - 0.3$      |             |                  | V       |
| $V_{OL;DRL}$  | Low-level output voltage                | $I_{DRLx} = 50mA$           |                  |             | 0.3              | V       |
| $I_{OHPK;DRL}$  | Output high source current              | 10 $\mu s$ pulse            |                  | 2           |                  | A       |
| $I_{OLPK;DRL}$  | Output low sink current                 | 10 $\mu s$ pulse            |                  | 2           |                  | A       |
| <b>High-Side Gate Drivers (DRHx, DRBx and DRSx pins)</b>    |   |                             |                  |             |                  |         |
| $V_{DRS}$   | Level-shift driver source voltage range |                             | -10              |             | $V_M + 10$       | V       |
| $V_{DRB}$   | Bootstrap pin voltage range             | Relative to $V_{DRS}$       | 10               |             | 20               | V       |
|   |   | Relative to VSS             |                  |             | 175              | V       |
| $V_{UVLO;DRB}$  | Bootstrap UVLO threshold                | $V_{DRBx}$ rising           | 8.5              |             |                  | V       |
|   |   | Hysteresis                  |                  | 1           |                  | V       |
| $I_{BS;DRB}$  | Bootstrap supply current                | Current from DRBx to DRSx   |                  | 28          |                  | $\mu A$ |
| $I_{OS;DRB}$  | Offset supply current                   | Current from DRBx to ground |                  | 10          |                  | $\mu A$ |
| $V_{OH;DRH}$  | High-Level output voltage               | $I_{DRHx} = -50mA$          | $V_{DRBx} - 0.3$ |             |                  | V       |
| $V_{OL;DRH}$  | Low-level output voltage                | $I_{DRHx} = 50mA$           |                  |             | $V_{DRSx} + 0.3$ | V       |
| $I_{OHPK;DRH}$  | Output high source current              | 10 $\mu s$ pulse            |                  | 2           |                  | A       |
| $I_{OLPK;DRL}$  | Output low sink current                 | 10 $\mu s$ pulse            |                  | 2           |                  | A       |
| <b>High-Side and Low-Side Gate Driver Propagation Delay</b> |   |                             |                  |             |                  |         |
| $t_{PD}$  | Propagation Delay <sup>5</sup>          | Delay setting 00b           | -50%             | Delay + 0   | 50%              | ns      |
|   |   | Delay setting 01b           | -50%             | Delay + 50  | 50%              | ns      |
|   |   | Delay setting 10b           | -50%             | Delay + 100 | 50%              | ns      |
|   |   | Delay setting 11b           | -50%             | Delay + 200 | 50%              | ns      |

<sup>5</sup> Delay from Table 12-2 Power Driver Propagation Delay

## 13 SOC CONTROL SIGNALS

The MCU has access to the Analog Sub-system on the PAC5532 through certain digital peripherals. The functions that the MCU may access from the Analog Sub-System are:

- High-side and Low-side Gate Drivers
- SPI Interface for Analog Register Access
- ADC EMUX
- Analog Sub-system Interrupts

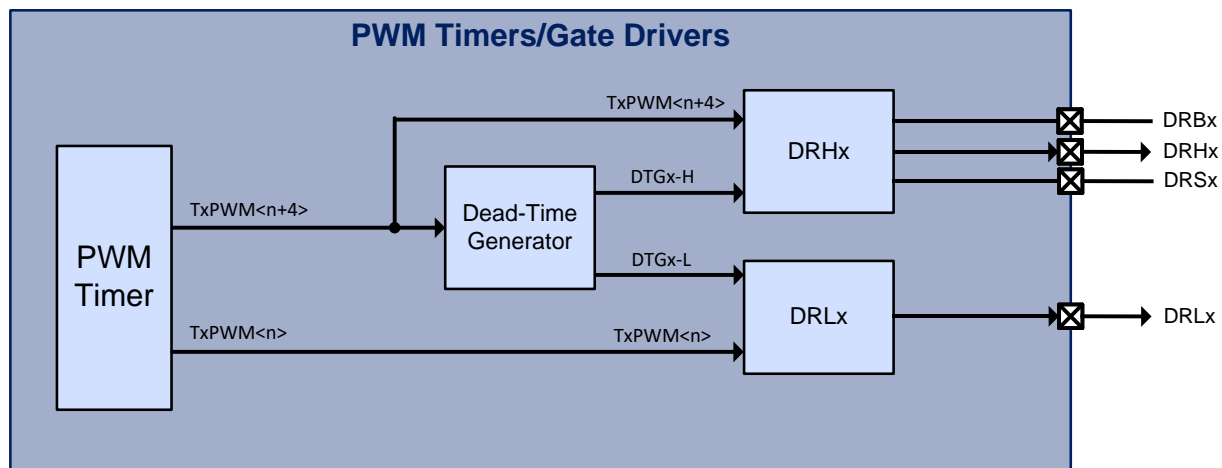
### 13.1 High-side and Low-Side Gate Drivers

The high-side and low-side gate drivers on the PAC5532 are controlled by PWM outputs of the timer peripherals on the MCU. The timer peripheral generates the PWM output. The PWM timer may be configured to generate a complementary PWM output (high-side and low-side gate drive signals) with hardware controlled dead-time.

These signals are sent to the gate drivers in the Analog Sub-system that create the high and low side gate drivers for the external inverter.

The user may choose to enable or not enable the DTG (Dead-time Generator). The diagram below shows the block diagram of the PWM timer, DTG and ASPD gate drivers.

Figure 13-1 SOC Signals for Gate Drivers



Each timer peripheral that drives the DTG and ASPD Gate Drivers has two PWM outputs that are connected to the gate drivers:  $TxPWM<n>$  and  $TxPWM<n+4>$ . If the Dead-Time Generator is disabled  $TxPWM<n>$  is connected to the  $DRLx$  gate driver output and  $TxPWM<n+4>$  is connected to the  $DRHx$  gate driver output.

If the DTG is enabled, the  $TxPWM<n+4>$  is used to generate the complementary high-side and low-side output ( $DTGx-H$  and  $DTGx-L$ ).  $DTGx-H$  is connected to the  $DRHx$  output and  $DTGx-L$  is connected to the  $DRLx$  output.

The MCU allows flexibility the assignment of PWM outputs to ASPD gate drivers. The tables below shows which PWM outputs are available for each gate driver.

For applications that drive half-bridge or full-bridge topologies, the DTG will be enabled to allow a complementary output with dead-time insertion.

**Table 13-1 PWM to ASPD Gate Driver Options (DTG Enabled)**

| Gate Driver   | PWM Input Options                              |
|---------------|--|
| DRH3/<br>DRL0 | TAPWM4<br>TBPWM4<br>TCPWM0<br>TCPWM4<br>TDPWM4 |
| DRH4/<br>DRL1 | TAPWM5<br>TBPWM5<br>TCPWM1<br>TCPWM5<br>TDPWM5 |
| DRH5/<br>DRL0 | TAPWM6<br>TBPWM6<br>TCPWM2<br>TCPWM6<br>TDPWM6 |

For applications that are not driving half-bridge topologies, the DTG is disabled and the PWM outputs are directly connected to the gate drivers.

**Table 13-2 PWM to ASPD Gate Driver Options (DTG Disabled)**

| Gate Driver | PWM Input Options                              |
|-------------|--|
| DRH3        | TAPWM4<br>TBPWM4<br>TCPWM0<br>TCPWM4<br>TDPWM4 |
| DRH4        | TAPWM5<br>TBPWM5<br>TCPWM1<br>TCPWM5<br>TDPWM5 |
| DRH5        | TAPWM6<br>TBPWM6<br>TCPWM2<br>TCPWM6<br>TDPWM6 |

|      |                                      |
|------|--------------------------------------|
| DRL0 | TAPWM0<br>TBPWM0<br>TCPWM0<br>TDPWM0 |
| DRL1 | TAPWM1<br>TBPWM1<br>TCPWM1<br>TDPWM1 |
| DRL2 | TAPWM2<br>TBPWM2<br>TCPWM2<br>TDPWM2 |

### 13.2 SPI SOC Bus

The SPI SOC bus is used for reading and writing registers in the Analog Sub-System. The PAC5532 allows both USARTA and USARTB to be used as the SPI master to read and write registers in the Analog Sub-System.

The table below shows which peripherals and which IO pins should be used for this interface.

**Table 13-3 SPI SOC Bus Connections**

| SPI Signal | USART Signal | IO Pin |
|------------|--------------|--------|
| SCLK       | USASCLK      | PA3    |
|            | USBCLK       | PA3    |
| MOSI       | USAMOSI      | PA4    |
|            | USBMOSI      | PA4    |
| MISO       | USAMISO      | PA5    |
|            | USBMISO      | PA5    |
| SS         | USASS        | PA6    |
|            | USBSS        | PA6    |

### 13.3 ADC EMUX

The ADC EMUX is a write-only serial bus that the ADC DTSE uses for instructing the CAFE to perform MUX changes, activate Sample and Hold, etc.

The table below shows the MCU pins that are used by the ADC EMUX in the PAC5532.

Table 13-4 SPI SOC Bus Connections

| EMUX Signal | Description | IO Pin |
|-------------|-------------|--------|
| EMUXC       | EMUX Clock  | PA2    |
| EMUXD       | EMUX Data   | PA1    |

### 13.4 Analog Interrupts

The Analog sub-system has two interrupts that it can generate for different conditions. The table below shows the two different interrupts, the interrupt conditions and the IO pin that the interrupts are connected to.

Table 13-5 Analog Interrupts

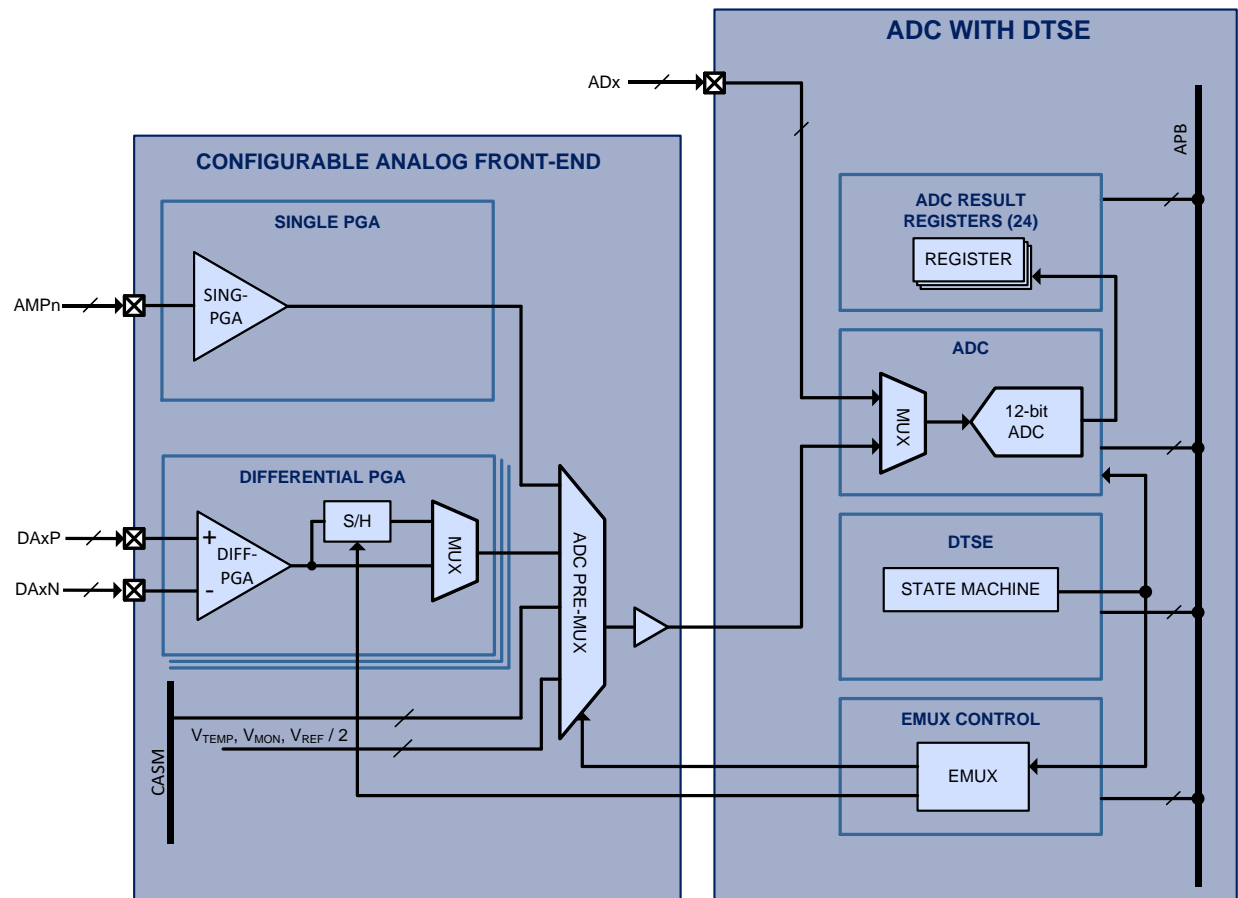
| Analog IRQ | Interrupt Conditions   | IO Pin |
|------------|--|--------|
| nIRQ1      | HPCOMP/LPCOMP Comparator Protection for Over-current and Over-Voltage events                         | PA7    |
| nIRQ2      | BEMF and Special Mode Comparator, including phase to phase comparator, AIO6/AIO7/AIO8/AIO9 interrupt | PA0    |



## 14 ADC/DTSE

### 14.1 ADC Block Diagram

Figure 14-1 ADC with DTSE



### 14.2 Functional Description

#### 14.2.1 ADC

The analog-to-digital converter (ADC) is a 12-bit successive approximation register (SAR) ADC with 400ns conversion time and up to 2.5 MSPS capability. The integrated analog multiplexer allows selection from up to 8 direct ADx inputs, and from up to 10 analog inputs signals in the Configurable Analog Front End (CAFE), including up to 3 differential input pairs as well as temperature and  $V_{REF} / 2$ .

The ADC contains a power down mode, and the user may configure the ADC to interrupt the MCU for the completion of a conversion when in manual mode. The ADC may be configured for either repeating or non-repeating conversions or conversion sequences.

#### 14.2.2 Dynamic Triggering and Sample Engine

The Dynamic Triggering and Sample Engine (DTSE) is a highly-configurable automatic sequencer that allows the user to configure automatic sampling of their application-specific analog signals without any

interaction from the micro-controller core. The DTSE also contains a pseudo-DMA engine that copies each of up to 24 conversion results to dedicated memory space and can interrupt the MCU when complete.

The DTSE has up to 32 input triggers, from PWM Timers A, B, C and D for either the rising, falling or rising and falling PWM edges. The user may also force any trigger sequence by writing a register via firmware. The user can configure the DTSE to chain from 1 to 24 conversions to any PWM trigger.

The DTSE has a flexible interrupt structure that allows up to 24 interrupts to be configured at the completion of any individual conversion. The user may configure one of four different IRQ signals when generating an interrupt during sequence conversions. The IRQ may be generated at the end of a conversion sequence, or at the end of a series of conversions. The user may select one of four IRQs for conversions, and each may be assigned a different interrupt priority.

Each of the 24 conversions has dedicated results registers, so that the pseudo-DMA engine has dedicated storage for each of the conversion results.

### 14.2.3 EMUX Control

A dedicated low latency interface controllable by the DTSE or register control allows changing the ADC pre-multiplexer and asserting/de-asserting the S/H circuit in the Configurable Analog Front-End (CAFE), allowing back to back conversions of multiple analog inputs without microcontroller interaction.

For more information on the ADC and DTSE, see the PAC55XX Family User Guide.

## 14.3 Electrical Characteristics

**Table 14-1 ADC and DTSE Electrical Characteristics**

 (V<sub>P</sub> = 12V, V<sub>SYS</sub> = 5V and T<sub>A</sub> = -40°C to 125°C unless otherwise specified.)

| SYMBOL                   | PARAMETER                                | CONDITIONS   | MIN  | TYP   | MAX | UNIT   |
|--------------------------|--|--|------|-------|-----|--------|
| <b>ADC</b>               |  |  |      |       |     |        |
| f <sub>ADCCLK</sub>      | ADC conversion clock input               |  |      |       | 40  | MHz    |
| f <sub>ADCCONV</sub>     | ADC conversion time                      |  |      |       | 16  | ADCCLK |
|                          |  | f <sub>ADCCLK</sub> = 40MHz;<br>PCx, PDx, PEx, PFx, PGx pins |      |       | 400 | ns     |
|                          |  | f <sub>ADCCLK</sub> = 40MHz;<br>AIO[9:0] pins                |      |       | 800 | ns     |
| t <sub>ADCSH</sub>       | ADC sample and hold time                 | f <sub>ADCCLK</sub> = 40MHz                                  |      |       | 100 | ns     |
|                          |  |  |      |       | 4   | ADCCLK |
| C <sub>ADCIC</sub>       | ADC input capacitance                    | ADC MUX input  |      | 1     |     | pF     |
|                          | ADC resolution                           |  |      | 12    |     | bits   |
|                          | ADC effective resolution                 |  | 10.5 |       |     | bits   |
|                          | ADC differential non-linearity (DNL)     | F <sub>ADCCLK</sub> = 25MHz                                  |      | ±0.5  |     | LSB    |
|                          |  | F <sub>ADCCLK</sub> = 40MHz                                  |      | ±0.75 |     | LSB    |
|                          | ADC integral non-linearity (INL)         | F <sub>ADCCLK</sub> = 25MHz                                  |      | ±0.5  |     | LSB    |
|                          |  | F <sub>ADCCLK</sub> = 40MHz                                  |      | ±0.75 |     | LSB    |
|                          | ADC offset error                         |  |      | 0.6   |     | %FS    |
|                          | ADC gain error                           |  |      | 0.12  |     | %FS    |
| <b>REFERENCE VOLTAGE</b> |  |  |      |       |     |        |
| V <sub>REFADC</sub>      | ADC reference input voltage <sup>6</sup> | VREF = 2.5V  |      | 2.5   |     | V      |
| <b>EMUX CLOCK SPEED</b>  |  |  |      |       |     |        |
| f <sub>EMUXCLK</sub>     | EMUX engine clock input                  |  |      |       | 50  | MHz    |

<sup>6</sup> The ADC supports two discrete VREF voltages: 2.5V and 3.0V. Values between 2.5V and 3.0V are not supported. These can be configured in the CAFE. See the PAC55XX Family User Guide for more information.

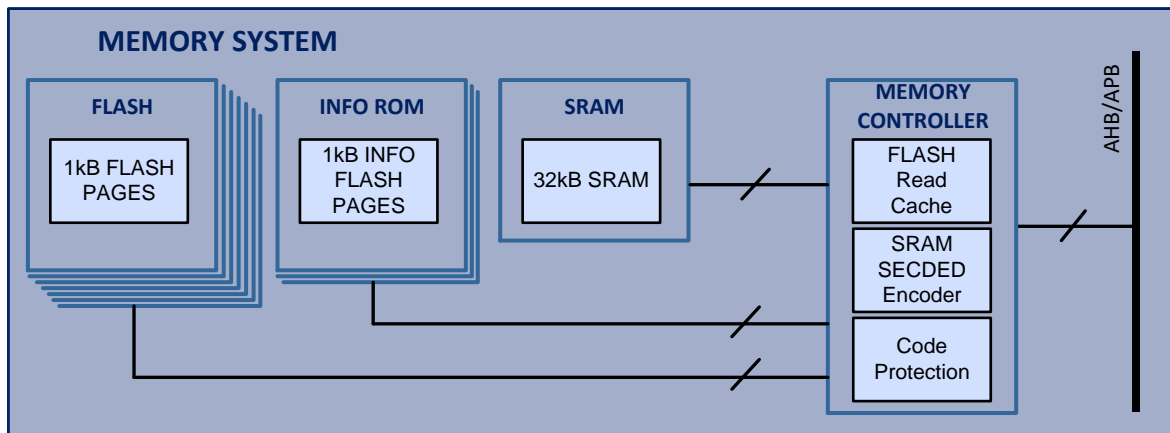
## 15 MEMORY SYSTEM

### 15.1 Features

- 128kB Embedded FLASH
  - 30,000 program/erase cycles
  - 10 years data retention
  - FLASH look-ahead buffer for optimizing access
- 1kB INFO-1 Embedded FLASH
- 1kB INFO-2 Embedded FLASH
  - Device ID, Unique ID, trim and manufacturing data
- 1kB INFO-3 Embedded FLASH
  - User data storage, configuration or parameter storage
  - Data or code
- 32kB SRAM
  - 150MHz access for code or data
  - SECEDED for read/write operations
- User-configurable code protection

### 15.2 Memory System Block Diagram

Figure 15-1 Memory System



### 15.3 Functional Description

The PAC55XX has multiple banks of embedded FLASH memory, SRAM memory as well as peripheral control registers that are program-accessible in a flat memory map.

### 15.4 Program FLASH

The PAC55XX Memory Controller provides access to 128 1kB pages of main program FLASH for a total of 128kB of FLASH through the system AHB bus. Each page may be individually erased or written while the MCU is executing instructions from SRAM.

The PAC55XX Memory Controller provides a FLASH read buffer that optimizes access from the MCU to the FLASH memory. This look ahead buffer monitors the program execution and fetches instructions from FLASH before they are needed to optimize access to this memory.

### 15.5 INFO FLASH

The PAC55XX Memory Controller provides access to the INFO-1, INFO-2 and INFO-3 FLASH memories, which are each a single 1kB page for a total of 3kB of memory.

INFO-1 and INFO-2 are read-only memories that contains device-specific information such as the device ID, a unique ID, trimming and calibration data that may be used by programs executing on the PAC55XX.

INFO-3 is available to the user for data or program storage.

### 15.6 SRAM

The PAC55XX Memory Controller provides access to the 32kB SRAM for non-persistent data storage. The SRAM memory supports word (4B), half-word (2B) and byte addresses.

The PAC55XX Memory Controller can read or write data from RAM at a frequency of up to 150MHz. This memory can also be used for program execution when modifying the contents of FLASH or INFO-3 FLASH.

The PAC55XX Memory Controller also has an SECDED encoder, capable of detecting and correcting single-bit errors, and detecting double-bit errors. The user may read the status of the encoder, to see if a single-bit error has occurred. The user may also enable an interrupt upon detection of single-bit errors. Dual-bit errors can be configured to generate an interrupt in the PAC55XX.<sup>7</sup>

For more information on the PAC55XX Memory Controller, see the PAC55XX Family User Guide.

### 15.7 Code Protection

The PAC55XX allows user configurable code protection, to secure code from being read from the device.

There are four levels of code protection available as shown in the table below.

Table 15-1 Code Protection Level Description

---

<sup>7</sup> Note that when writing half-word or single bytes to SRAM, the memory controller must perform a read-modify write to memory to perform the SECDED calculation. These operations will take more than one clock cycle to perform for this reason.

| LEVEL | NAME                          | FEATURES  |
|-------|-------------------------------|---|
| 0     | UNLOCKED                      | <ul style="list-style-type: none"> <li>No restrictions</li> </ul>   |
| 1     | RW PROTECTION                 | <ul style="list-style-type: none"> <li>SWD/JTAG enabled</li> <li>Programmable protection of up to 128 regions of FLASH</li> <li>User-specified Read or Write protection per region</li> </ul>                       |
| 2     | SWD DISABLED                  | <ul style="list-style-type: none"> <li>SWD/JTAG disabled</li> <li>Programmable protection of up to 128 regions of FLASH</li> <li>User-specified Read or Write protection per region</li> </ul>                      |
| 3     | SWD/JTAG PERMANENTLY DISABLED | <ul style="list-style-type: none"> <li>SWD/JTAG disabled</li> <li>Programmable protection of up to 128 regions of FLASH</li> <li>User-specified Read or Write protection per region</li> <li>No recovery</li> </ul> |

## 15.8 Electrical Characteristics

**Table 15-2 Memory System Electrical Characteristics**

 (T<sub>A</sub> = -40°C to 125°C unless otherwise specified.)

| SYMBOL                    | PARAMETER                  | CONDITIONS  | MIN  | TYP | MAX | UNIT   |
|---------------------------|----------------------------|---|------|-----|-----|--------|
| <b>Embedded FLASH</b>     |                            |   |      |     |     |        |
| t <sub>READ;FLASH</sub>   | FLASH read time            |   | 40   |     |     | ns     |
| t <sub>WRITE;FLASH</sub>  | FLASH write time           |   | 30   |     |     | μs     |
| t <sub>PERASE;FLASH</sub> | FLASH page erase time      |   |      | 2   |     | ms     |
| t <sub>MERASE;FLASH</sub> | FLASH full erase time      |   |      | 10  |     | ms     |
| N <sub>PERASE;FLASH</sub> | FLASH program/erase cycles |   | 30k  |     |     | cycles |
| t <sub>DR;FLASH</sub>     | FLASH data retention       |   | 10   |     |     | Years  |
| <b>SRAM</b>               |                            |   |      |     |     |        |
| t <sub>ACC;SRAM</sub>     | SRAM access time           | HCLK = 150MHz;<br>Word (32-bits), aligned                     | 6.67 |     |     | ns     |
|                           |                            | HCLK = 150MHz;<br>Half-word (16-bits), byte (8-bits), aligned | 6.67 |     |     | ns     |

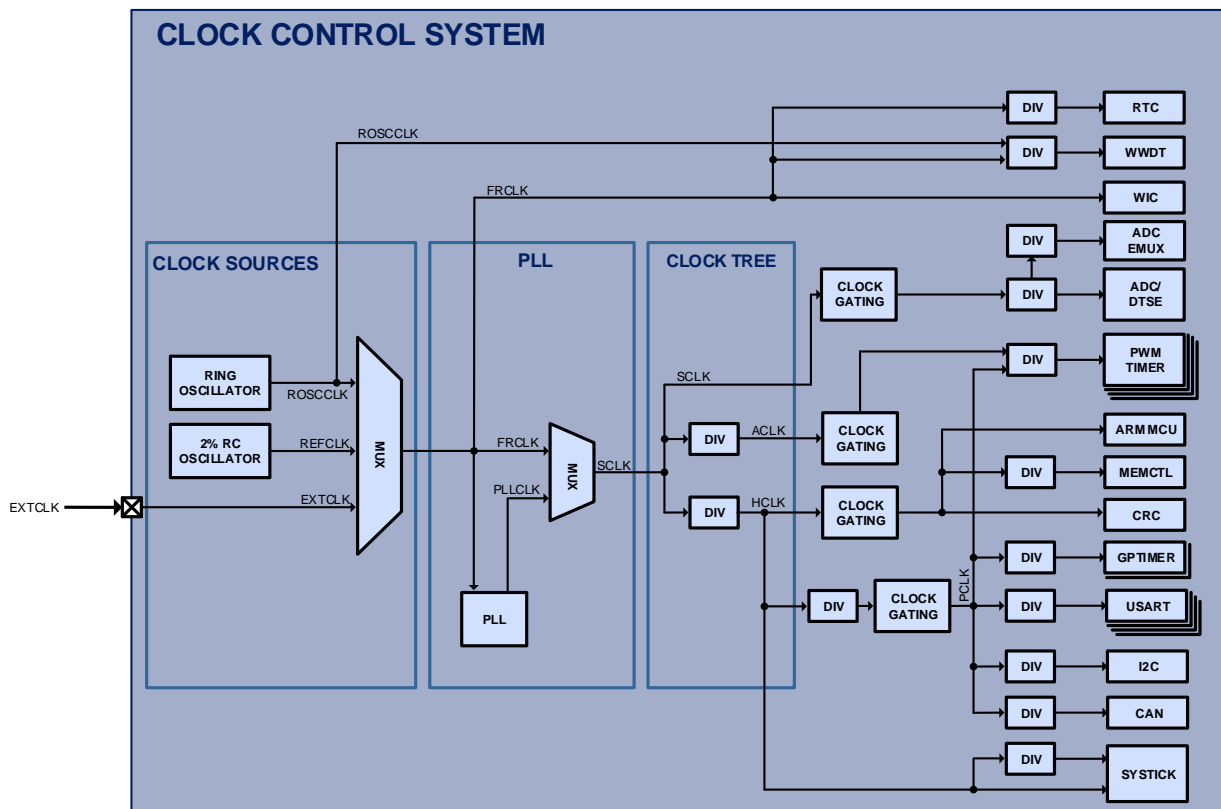
## 16 SYSTEM AND CLOCK CONTROL

### 16.1 Features

- 20MHz Ring Oscillator
- High accuracy 1.25% trimmed 4MHz RC oscillator
- External Clock Input for External Clocks up to 20MHz
- PLL with 1MHz to 50MHz input, 62.5MHz to 300MHz output
- Clock dividers for all system clocks
- Clock gating for power conservation during low-power operation

### 16.2 Block Diagram

Figure 16-1 Clock Control System





## 16.3 Clock Sources

### 16.3.1 Ring Oscillator

The Ring Oscillator (ROSC) is an integrated 20MHz clock oscillator that is the default system clock, and is available by default when the PAC55XX comes out of reset. The output of the ROSC is the **ROSCCLK** clock. The **ROSCCLK** may be selected as the **FRCLK** clock and may supply the WWDT, for applications that need an independent clock source or need to continue to be clocked when the system is in a low-power mode.

The ROSC may be disabled by the user by a configuration register.

### 16.3.2 Reference Clock

The Reference Clock (**REFCLK**) is an integrated 1.25% trimmed 4MHz RC clock. This clock is suitable for many applications. This clock may be selected as the **FRCLK** and can be used as the input to the PLL and is used to derive the clock for the MPPM.

### 16.3.3 External Clock Input

The External Clock Input (EXTCLK) is a clock input available through the digital peripheral MUX, and allows the drive the clock system by a 50% duty cycle clock of up to 20MHz. This clock may be selected as FRCLK and can be used as the input the PLL (as long as the accuracy is better than +/- 2%).

## 16.4 PLL

The PAC55XX contains a Phase Lock Loop (PLL) that can generate very high clock frequencies up to 300MHz for the peripherals and timers in the device. The input to the PLL is the **FRCLK** and must be from the **EXTCLK** or **REFCLK** clock sources

The input to the PLL must be between 1MHz – 50MHz and the output can be configured to be from 62.5MHz to 300MHz. The user can configure the PLL to generate the desired clock output based on a set of configuration registers in the CCS. The output of the PLL is the **PLLCLK** clock. The user may configure a MUX to generate the SCLK clock from **PLLCLK** or from **FRCLK**.

In addition to configuring the PLL output frequency, the PLL may be enabled, disabled and bypassed through a set of configuration registers in the CCS.

## 16.5 Clock Tree

The following are the system clocks available in the clock tree. See the section below to see which clocks are available for each of the digital peripherals in the system.

### 16.5.1 FRCLK

The free-running clock (**FRCLK**) is generated from one of the four clock sources (**ROSCCLK**, **EXTCLK** or **REFCLK**). This clock may be used by the WWDT and the RTC, for configurations that turn off all other system clocks during low power operation.

The **FRCLK** or **PLLCLK** is selected via a MUX and the output becomes **SCLK**.

### 16.5.2 SCLK

The System Clock (**SCLK**) generates two system clocks: **ACLK** and **HCLK**. Each of these system clocks has their own 3b clock divider and is described below.

### 16.5.3 PCLK

The Peripheral Clock (**PCLK**) is used by most of the digital peripherals in the PAC55XX. This clock has a 3b clock divider and also has clock gating support, which allows this clock output to be disabled before the system is put into the Arm<sup>®</sup> Cortex<sup>®</sup>-M4's deep sleep mode to conserve energy.

As shown above, most of the peripherals that use **PCLK** also have their own clock dividers so that this clock can be further divided down to meet the application's needs.

### 16.5.4 ACLK

The Auxiliary Clock (**ACLK**) may be optionally used by the PWM timer block in the PAC55XX in order to generate a very fast clock for PWM output to generate the best possible accuracy and edge generation.

This clock has a 3b clock divider and also has clock gating support, which disables this clock output when the system is put into the Arm<sup>®</sup> Cortex<sup>®</sup>-M4's deep sleep mode to conserve energy.

As shown above, the **ACLK** is an optional input for just the PWM timer block in the PAC55XX.

### 16.5.5 HCLK

The AHB Clock (**HCLK**) is used by the Arm<sup>®</sup> Cortex<sup>®</sup>-M4 MCU and Memory Controller peripheral. This clock has a 3b divider and also has clock gating support, which allows this clock output to be disabled before the system is put into the Arm<sup>®</sup> Cortex<sup>®</sup>-M4's deep sleep mode to conserve energy.

HCLK supplies PCLK with its clock source.

## 16.6 Electrical Characteristics

**Table 16-1 CCS Electrical Characteristics**

 (T<sub>A</sub> = -40°C to 125°C unless otherwise specified.)

| SYMBOL  | PARAMETER                                     | CONDITIONS                         | MIN  | TYP | MAX   | UNIT |
|---|---|------------------------------------|------|-----|-------|------|
| <b>Clock Tree (FRCLK, FCLK, PCLK, ACLK, HCLK)</b> |   |                                    |      |     |       |      |
| f <sub>FRCLK</sub>                                | Free-running clock frequency                  |                                    |      |     | 25    | MHz  |
| f <sub>SCLK</sub>                                 | System clock frequency                        |                                    |      |     | 300   | MHz  |
| f <sub>PCLK</sub>                                 | Peripheral clock frequency                    | After divider                      |      |     | 150   | MHz  |
| f <sub>ACLK</sub>                                 | Auxiliary clock frequency                     | After divider                      |      |     | 300   | MHz  |
| f <sub>HCLK</sub>                                 | High-speed clock frequency                    | After divider                      |      |     | 150   | MHz  |
| <b>Internal Oscillators</b>                       |   |                                    |      |     |       |      |
| f <sub>ROSCCLK</sub>                              | Ring oscillator frequency                     |                                    |      | 20  |       | MHz  |
| f <sub>TRIM;REFCLK</sub>                          | Trimmed RC oscillator frequency               | T <sub>A</sub> = 25°C              | 3.96 | 4   | 4.05  | MHz  |
|   |   | T <sub>A</sub> = -40°C to 125°C    | 3.92 | 4   | 4.08  |      |
| f <sub>JITTER;REFCLK</sub>                        | Trimmed RC oscillator clock jitter            | T <sub>A</sub> = -40°C to 85°C     |      | 0.5 |       | %    |
| <b>External Clock Input (EXTCLK)</b>              |   |                                    |      |     |       |      |
| f <sub>EXTCLK</sub>                               | External Clock Input Frequency                |                                    |      |     | 20    | MHz  |
|   | External Clock Input Duty Cycle               |                                    | 40   |     | 60    | %    |
| V <sub>IH;EXTCLK</sub>                            | External Clock Input high-level input voltage |                                    | 2.1  |     |       | V    |
| V <sub>IL;EXTCLK</sub>                            | External Clock Input low-level input voltage  |                                    |      |     | 0.825 | V    |
| <b>PLL</b>  |   |                                    |      |     |       |      |
| f <sub>IN;PLL</sub>                               | PLL input frequency range                     |                                    | 1    |     | 50    | MHz  |
| f <sub>OUT;PLL</sub>                              | PLL output frequency range                    |                                    | 62.5 |     | 300   | MHz  |
| t <sub>SETTLE;PLL</sub>                           | PLL setting time                              | T <sub>A</sub> = 25°C, PLL settled |      |     | 15    | μs   |
|   |   | T <sub>A</sub> = 25°C, PLLLOCK = 1 |      | 200 | 500   | μs   |
| t <sub>JITTER;PLL</sub>                           | PLL period jitter                             | RMS                                |      | 25  |       | ps   |
|   |   | Peak to peak                       |      |     | 100   | ps   |
|   | PLL duty cycle                                |                                    | 40   | 50  | 60    | %    |

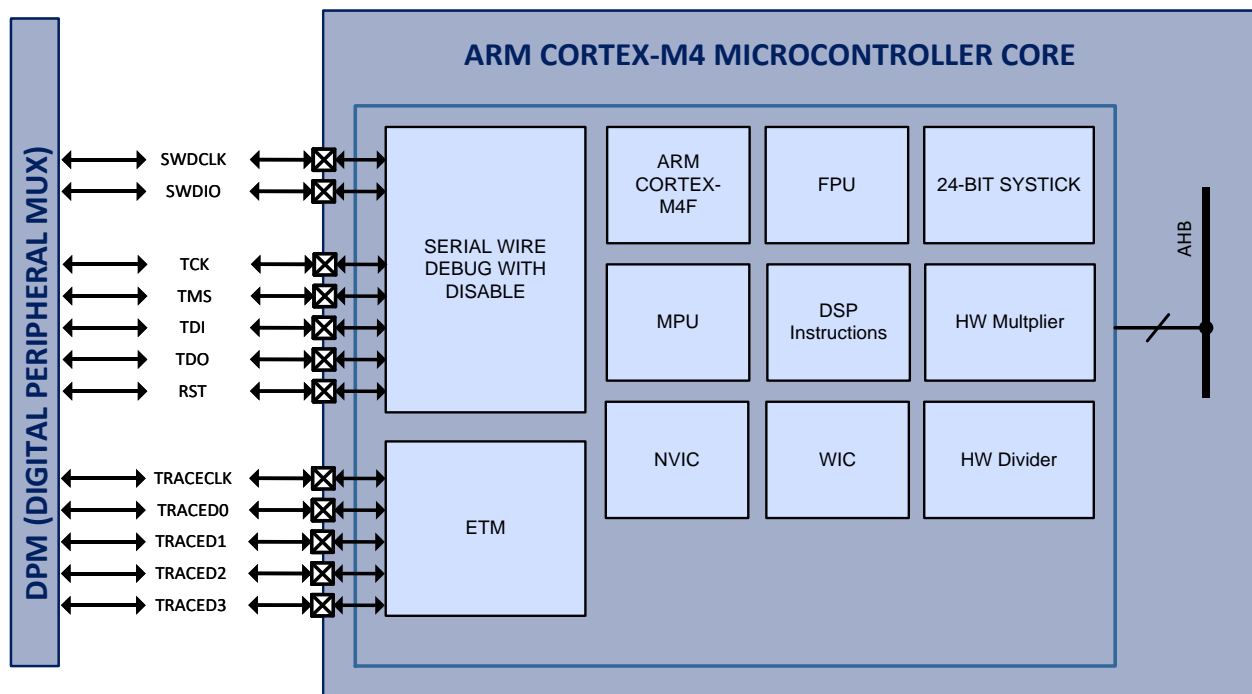
## 17 ARM<sup>®</sup> CORTEX<sup>®</sup>-M4F MCU CORE

### 17.1 Features

- Arm<sup>®</sup> Cortex<sup>®</sup>-M4F core
- SWD or JTAG Debug
- SWD/JTAG code security
- Embedded Trace Module (ETM) for instruction tracing
- Memory Protection Unit (MPU)
- Nested Vectored Interrupt Controller (NVIC) with 29 user interrupts and 8 levels of priority
- Floating Point Unit (FPU)
- Wakeup Interrupt Controller (WIC)
- 24-bit SysTick Count-down Timer
- Hardware Multiply and Divide Instructions

### 17.2 Block Diagram

Figure 17-1 Arm<sup>®</sup> Cortex<sup>®</sup>-M4F Microcontroller Core



### 17.3 Functional Description

The Arm<sup>®</sup> Cortex<sup>®</sup>-M4F microcontroller core is configured for little endian operation and includes hardware support for multiplication and division, DSP instructions as well as an IEEE754 single-precision Floating Point Unit (FPU).

The MCU also contains an 8-region Memory Protection Unit (MPU), as well as a Nested Vector Interrupt Controller (NVIC) that supports 29 user interrupts with 8 levels of priority. There is a 24-bit SysTick count-down timer.

The Arm<sup>®</sup> Cortex<sup>®</sup>-M4F supports sleep and deep sleep modes for low power operation. In sleep mode, the Arm<sup>®</sup> Cortex<sup>®</sup>-M4F is disabled. In deep sleep mode, the MCU as well as many peripherals are disabled. The Wakeup Interrupt Controller (WIC) can wake up the MCU when in deep sleep mode by using any GPIO interrupt, the Real-Time Clock (RTC) or Windowed Watchdog Timer (WWDT). The PAC55XX also supports clock gating to reduce power during deep sleep operation.

The debugger supports 4 breakpoint and 2 watch-point unit comparators using the SWD or JTAG protocols. The debug serial interfaces may be disabled to prevent memory access to the firmware during customer production.

For more information on the detailed operation of the Microcontroller Core in the PAC55XX, see the PAC55XX Family User Guide.

## 17.4 Application Typical Current Consumption

The MCU clock configuration and peripheral configuration have a large influence on the amount of load that the power supplies in the PAC55XX will have.

The table below shows a number of popular configurations and what the typical power consumption will be on the VSYS and VCORE power supplies in the PAC55XX.

**Table 17-1 PAC55XX Application Typical Current Consumption<sup>8</sup>**

| CLOCK CONFIGURATION  | MCU PERIPHERALS  | MCU STATE                            | I <sub>VSYS</sub> | I <sub>VCORE</sub> | I <sub>VCC33</sub> |
|--|--|--------------------------------------|-------------------|--------------------|--------------------|
| CLKREF = 4MHz<br>PLL Disabled<br>ACLK=HCLK=PCLK=SCLK=MCLK = 16MHz<br>ROSCCLK Enabled<br>FRCLK MUX = ROSCCLK                                | All peripherals disabled   | Halted                               | 9.5mA             | 2.3mA              | n/a                |
| CLKREF = 4MHz<br>PLLCLK = 30MHz<br>ACLK=HCLK=PCLK=SCLK= 16MHz<br>MCLK = 30MHz<br>ROSCCLK Enabled<br>FRCLK MUX = CLKREF                     | All peripherals disabled   | Halted                               | 10.5mA            | 3.5mA              | n/a                |
| CLKREF = 4MHz<br>PLLCLK = 150MHz<br>ACLK=HCLK=PCLK=SCLK= 150MHz<br>MCLK = 30MHz<br>ROSCCLK Enabled<br>FRCLK MUX = CLKREF                   | All peripherals disabled   | Halted                               | 20mA              | 13.5mA             | n/a                |
| CLKREF = 4MHz<br>PLLCLK = 300MHz<br>ACLK=HCLK=PCLK=SCLK= 150MHz<br>MCLK = 30MHz<br>ROSCCLK Enabled<br>FRCLK MUX = CLKREF                   | All peripherals disabled   | Halted                               | 22mA              | 15mA               | n/a                |
| CLKREF = 4MHz<br>PLLCLK = 300MHz<br>ACLK=HCLK=PCLK=SCLK= 150MHz<br>MCLK = 30MHz<br>ROSCCLK Enabled<br>FRCLK MUX = CLKREF<br>ADCCLK = 40MHz | ADC enabled (repeated conversions)                                     | Halted                               | 36mA              | 16mA               | 13.5mA             |
| CLKREF = 4MHz<br>PLLCLK = 300MHz<br>ACLK=HCLK=PCLK=SCLK= 150MHz<br>MCLK = 30MHz<br>ROSCCLK Enabled<br>FRCLK MUX = PLLCLK                   | All peripherals disabled   | CPU Executes instructions from FLASH | 8.5mA             | 2.2mA              | n/a                |
| CLKREF = 4MHz<br>PLLCLK = 300MHz<br>ACLK=HCLK=PCLK=SCLK= 150MHz<br>MCLK = 30MHz<br>ROSCCLK Enabled<br>FRCLK MUX = CLKREF                   | Timer A enabled;<br>TAPWM[7:0] enabled;<br>Fs = 100kHz; 50% duty cycle | Halted                               | 22mA              | 15mA               | n/a                |

<sup>8</sup> Typical currents are an ambient temperature of 25°C

## 17.5 Electrical Characteristics

**Table 17-2 MCU and Clock Control System Electrical Characteristics**

 (T<sub>A</sub> = -40°C to 125°C unless otherwise specified.)

| SYMBOL               | PARAMETER                           | CONDITIONS   | MIN | TYP | MAX  | UNIT |
|----------------------|-------------------------------------|--|-----|-----|------|------|
| f <sub>HCLK</sub>    | Microcontroller Clock               |  |     |     | 150  | MHz  |
| I <sub>Q,VCORE</sub> | V <sub>CORE</sub> quiescent current | Arm <sup>®</sup> Cortex <sup>®</sup> -M4F Sleep/Deep Sleep Modes |     |     | 2    | mA   |
|                      |                                     | Hibernate Mode   |     |     | 0    | mA   |
| I <sub>Q,VSYS</sub>  | V <sub>SYS</sub> quiescent current  | Arm <sup>®</sup> Cortex <sup>®</sup> -M4F Sleep/Deep Sleep Modes |     |     | 8    | mA   |
|                      |                                     | Hibernate Mode   |     |     | 15   | μA   |
| I <sub>Q,VCCIO</sub> | VCCIO quiescent current             | Arm <sup>®</sup> Cortex <sup>®</sup> -M4F Sleep/Deep Sleep Modes |     |     | 0.15 | mA   |
|                      |                                     | Hibernate Mode   |     |     | 0    | mA   |
| I <sub>Q,VCC33</sub> | VCC33 quiescent current             | Arm <sup>®</sup> Cortex <sup>®</sup> -M4F Sleep/Deep Sleep Modes |     |     | 0.4  | mA   |
|                      |                                     | Hibernate Mode   |     |     | 0    | mA   |

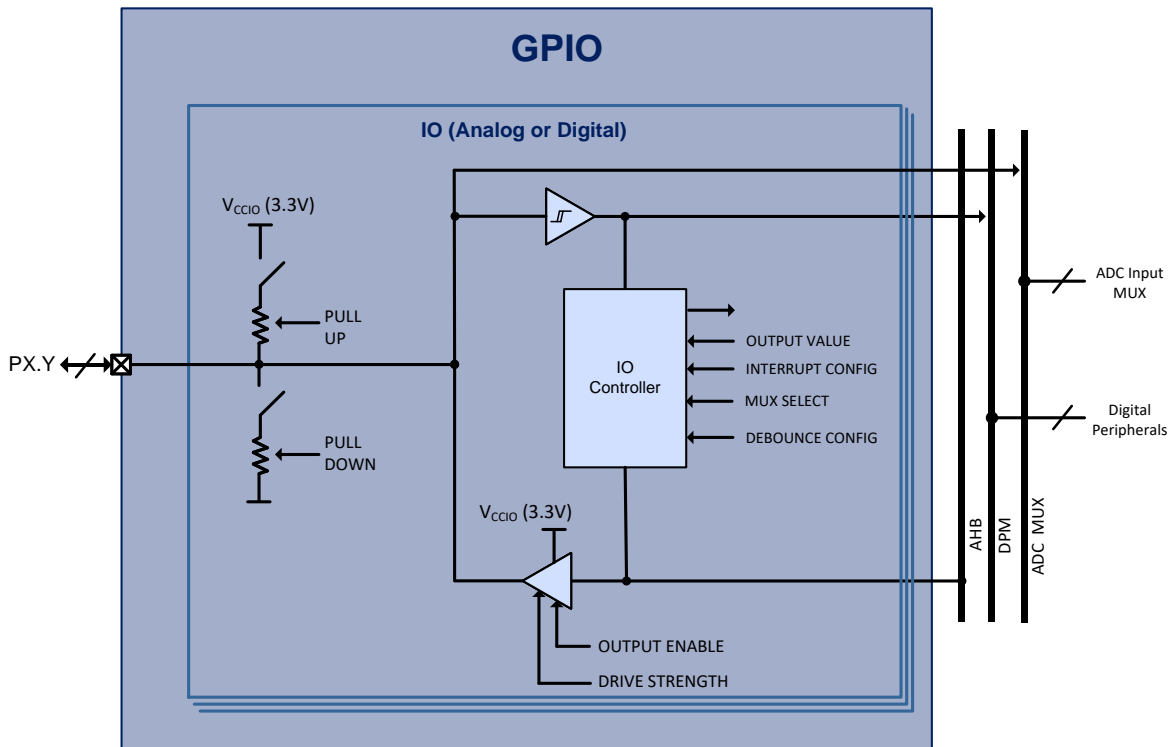
## 18 IO CONTROLLER

### 18.1 Features

- 3.3V Input/Output, 4.6V input tolerant
- Push-Pull Output, Open-Drain Output or High-Impedance Input for each IO
- Configurable Pull-up and Pull-down for each IO (60k)
- Configurable Drive Strength for each IO (up to 24mA)
- Analog Input for some IOs
- Edge-sensitive or level-sensitive interrupts
- Rising edge, falling edge or both edge interrupts
- Peripheral MUX allowing up to 8 peripheral selections for each IO
- Configurable De-bouncing Circuit for each IO

### 18.2 Block Diagram

Figure 18-1 IO Controller Block Diagram





### 18.3 Functional Description

The PAC55XX IO cells can be used for digital input/output and analog input for the ADC. All IOs are supplied by the  $V_{CCIO}$  (3.3V) power supply.

Each IO can be configured for digital push-pull output, open-drain output or high-impedance input. Each IO also has a configurable 60k weak pull-up or weak pull-down that can be enabled.

**NOTE: Configuring both pull-up and pull-down at the same time may cause device damage and should be avoided.**

Each IO has a configurable de-bouncing filter that can be enabled or disabled, to help filter out noise.

All IO have interrupt capability. Each pin can be configured for either level or edge sensitive interrupts, and can select between rising edge, falling edge and both edges for interrupts. Each pin has a separate interrupt enable and interrupt flag.

Some of the IO on the PAC55XX can be configured as an analog input to the ADC.

### 18.4 GPIO Current Injection

Under normal operation, there should not be current injected into the GPIOs on the device due to the GPIO voltage below ground or above the GPIO supply ( $V_{CCIO}$ ). Current will be injected into the GPIO when the GPIO pin voltage is less than -0.3V or when greater than GPIO supply + 0.3V.

In order provide a robust solution when this situation occurs, the PAC52XX family of products allows a small amount of injected current into the GPIO pins, to avoid excessive leakage or device damage.

For information on the GPIO current injection thresholds, see the absolute maximum parameters for this device.

Sustained operation with the GPIO pin voltage greater than the GPIO supply or when the GPIO pin voltage is less than -0.3V may result in reduced lifetime of the device. GPIO current injection should only be a temporary condition.

## 18.5 Peripheral MUX

The following table shows the available pin MUX options for this device. Note that if the pin is configured for analog input, the peripheral MUX is bypassed.

**Table 18-1 PAC5532 Peripheral Pin MUX**

| PIN | Peripheral MUX Selection |        |        |           |         |         |          |          | ADC CH |
|-----|--------------------------|--------|--------|-----------|---------|---------|----------|----------|--------|
|     | S0                       | S1     | S2     | S3        | S4      | S5      | S6       | S7       |        |
| PC4 | GPIOC4                   | TBPWM4 | TCPWM4 | TCIDX     | USBMOSI | USCSCLK | CANRXD   | I2CSDL   |        |
| PC5 | GPIOC5                   | TBPWM5 | TCPWM5 | TCPHA     | USBMISO | USCSS   | CANTXD   | I2CSDA   |        |
| PD2 | GPIOD2                   | TBPWM2 | TCPWM2 | TDPHB     |         | USCMOSI |          |          | ADC2   |
| PD1 | GPIOD1                   | TBPWM1 | TCPWM1 | TDPHA     |         | USCSS   | CANRXD   | EMUXC    | ADC3   |
| PD0 | GPIOD0                   | TBPWM0 | TCPWM0 | TDIDX     |         | USCCLK  | CANTXD   | EMUXD    | ADC4   |
| PE0 | GPIOE0                   | TCPWM4 | TDPWM0 | TAIDX     | TBIDX   | USCCLK  | I2CSCL   | EMUXC    |        |
| PE1 | GPIOE1                   | TCPWM5 | TDPWM1 | TAPHA     | TBPHA   | USCSS   | I2CSDA   | EMUXD    |        |
| PE2 | GPIOE2                   | TCPWM6 | TDPWM2 | TAPHB     | TBPHB   | USCMOSI | CANRXD   | EXTCLK   |        |
| PE3 | GPIOE3                   | TCPWM7 | TDPWM3 | FRCLK     |         | USCMISO | CANTXD   |          |        |
| PF0 | GPIOF0                   | TCPWM0 | TDPWM0 | TCK/SWDCL | TBIDX   | USBSCLK | TRACED2  | TRACECLK |        |
| PF1 | GPIOF1                   | TCPWM1 | TDPWM1 | TMS/SWDIO | TBPHA   | USBSS   | TRACED1  | TRACED0  |        |
| PF2 | GPIOF2                   | TCPWM2 | TDPWM2 | TDI       | TBPHB   | USBMOSI | TRACED0  | TRACED1  |        |
| PF3 | GPIOF3                   | TCPWM3 | TDPWM3 | TDO       | FRCLK   | USBMISO | TRACECLK | TRACED2  |        |
| PF4 | GPIOF4                   | TCPWM4 | TDPWM4 |           | TCIDX   | USDSCLK | TRACED3  | EMUXC    | ADC4   |
| PF5 | GPIOF5                   | TCPWM5 | TDPWM5 |           | TCPHA   | USDSS   |          | EMUXD    | ADC5   |
| PF6 | GPIOF6                   | TCPWM6 | TDPWM6 |           | TCPHB   | USDMOSI | CANRXD   | I2CSCL   | ADC6   |

## 18.6 Electrical Characteristics

**Table 18-2 IO Controller Electrical Characteristics**

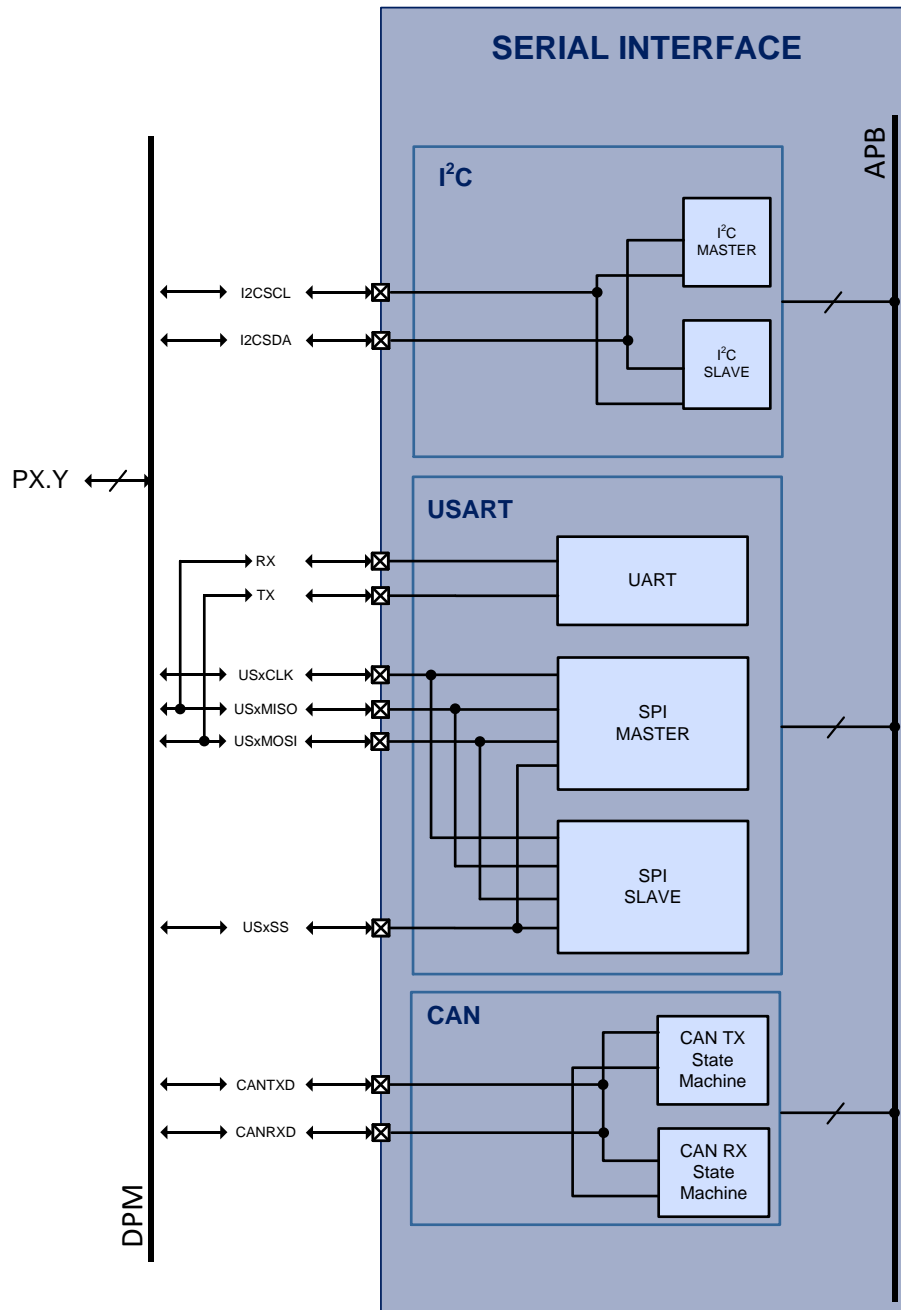
 (V<sub>CCIO</sub> = 3.3V, V<sub>SYS</sub> = 5V, V<sub>CORE</sub> = 1.2V, and T<sub>A</sub> = -40°C to 125°C unless otherwise specified.)

| SYMBOL                 | PARAMETER  | CONDITIONS  | MIN       | TYP | MAX   | UNIT |    |
|------------------------|--|---|-----------|-----|-------|------|----|
| V <sub>IH</sub>        | High-level input voltage   |   | 2.1       |     |       | V    |    |
| V <sub>IL</sub>        | Low-level input voltage  |   |           |     | 0.825 | V    |    |
| I <sub>OL</sub>        | Low-level output sink current<br>(Limited by I <sub>VSYS</sub> and I <sub>VCCIO</sub> )    | V <sub>OL</sub> = 0.4V  | DS = 6mA  | 6   |       |      | mA |
|                        |  |   | DS = 8mA  | 8   |       |      |    |
|                        |  |   | DS = 11mA | 11  |       |      |    |
|                        |  |   | DS = 14mA | 14  |       |      |    |
|                        |  |   | DS = 17mA | 17  |       |      |    |
|                        |  |   | DS = 20mA | 20  |       |      |    |
|                        |  |   | DS = 22mA | 22  |       |      |    |
|                        |  |   | DS = 25mA | 25  |       |      |    |
| I <sub>OH</sub>        | High-level output source current<br>(Limited by I <sub>VSYS</sub> and I <sub>VCCIO</sub> ) | V <sub>OH</sub> = 2.4V  | DS = 6mA  |     |       | -6   | mA |
|                        |  |   | DS = 8mA  |     |       | -8   |    |
|                        |  |   | DS = 11mA |     |       | -11  |    |
|                        |  |   | DS = 14mA |     |       | -14  |    |
|                        |  |   | DS = 17mA |     |       | -17  |    |
|                        |  |   | DS = 20mA |     |       | -20  |    |
|                        |  |   | DS = 22mA |     |       | -22  |    |
|                        |  |   | DS = 25mA |     |       | -25  |    |
| I <sub>IL</sub>        | Input leakage current  |   | -2        |     | 0.95  | μA   |    |
| R <sub>PU</sub>        | Weak pull-up resistance  | When pull-up enabled  | 45        | 60  | 100   | kΩ   |    |
| R <sub>PD</sub>        | Weak pull-down resistance  | When pull-down enabled  | 45        | 60  | 115   | kΩ   |    |
| I <sub>INJ,GPIO</sub>  | GPIO pin current injection   | V <sub>GPIO</sub> < -0.3V or V <sub>GPIO</sub> > V <sub>CCIO</sub> + 0.3V | -15       |     | 15    | mA   |    |
| ΣI <sub>INJ,GPIO</sub> | Sum of all GPIO pin current injection  | V <sub>GPIO</sub> < -0.3V or V <sub>GPIO</sub> > V <sub>CCIO</sub> + 0.3V | -40       |     | 40    | mA   |    |

# 19 SERIAL INTERFACE

## 19.1 Block Diagram

Figure 19-1 Serial Interface Block Diagram



## 19.2 Functional Description

The PAC55XX has three types of serial interfaces: I<sup>2</sup>C, USART and CAN. The PAC55XX has one I<sup>2</sup>C controller, one CAN controller and up to 2 USARTs.

## 19.3 I<sup>2</sup>C Controller

The PAC55XX contains one I<sup>2</sup>C controller. This is a configurable APB peripheral and the clock input is PCLK. This peripheral has an input clock divider that can be used to generate various master clock frequencies. The I<sup>2</sup>C controller can support various modes of operation:

- I<sup>2</sup>C master operation
  - Standard (100kHz), full-speed (400kHz), fast (1MHz) or high-speed modes (3.4MHz)
  - Single and multi-master
  - Synchronization (multi-master)
  - Arbitration (multi-master)
  - 7-bit or 10-bit slave addressing
- I<sup>2</sup>C slave operation
  - Standard (100kHz), full-speed (400kHz), fast (1MHz) or high-speed modes (3.4MHz)
  - Clock stretching
  - 7-bit or 10-bit slave addressing

The I<sup>2</sup>C peripheral may operate either by polling, or can be configured to be interrupt driven for both receive and transmit operations.

## 19.4 USART

The PAC55XX contains up to 2 Universal Synchronous Receive Transmit (USART) peripherals. Each USART is a configurable APB bus client and input clock is PCLK. These peripherals have a configurable clock divider that can be used to produce various frequencies for the UART or SPI master peripheral.

The number of these peripherals depends on the peripheral MUX configuration. See the IO Controller section on information on how to configure the peripheral MUX with the USART peripheral.

The USART peripheral supports two main modes: SPI mode and UART mode.

### 19.4.1 USART SPI Mode

- Master or slave mode operation
- 8-bit, 16-bit or 32-bit word transfers
- Configurable clock polarity (active high or active low)
- Configurable data phase (setup/sample or sample/setup)
- Interrupts and status flags for RX and TX operations
- Support for up to 25MHz SPI clock

### 19.4.2 USART UART Mode

- 8-bit data
- Programmable data bit rate
- Maximum baud rate of 1Mbaud
- RX and TX FIFOs
- Configurable stop bits (1 or 2)
- Configurable parity: even, odd, none

- Mark/space support for 9-bit addressing protocols
- Interrupt and status flags for RX and TX operations

## 19.5 CAN

The PAC55XX contains one Controller Area Network (CAN) peripheral. The CAN peripheral is a configurable APB bus client and input clock is PCLK. This peripheral has a configurable clock divider that can be used to produce various frequencies for the CAN peripheral.

- CAN 2.0B support
- 1Mb/s data rate
- 64-byte receive FIFO
- 16-byte transmit buffer
- Standard and extended frame support
- Arbitration
- Overload frame generated on FIFO overflow
- Normal and Listen Only modes supported
- Interrupt and status flags for RX and TX operations

## 19.6 Dynamic Characteristics

**Table 19-1 Serial Interface Dynamic Characteristics**

 (V<sub>CCIO</sub> = 3.3V, V<sub>SYS</sub> = 5V, V<sub>CORE</sub> = 1.2V, and T<sub>A</sub> = -40°C to 125°C unless otherwise specified.)

| SYMBOL                   | PARAMETER                              | CONDITIONS                        | MIN   | TYP                   | MAX | UNIT |
|--------------------------|--|-----------------------------------|-------|-----------------------|-----|------|
| <b>I<sup>2</sup>C</b>    |  |                                   |       |                       |     |      |
| f <sub>I2CCLK</sub>      | I <sup>2</sup> C input clock frequency | Standard mode (100kHz)            | 2.8   |                       |     | MHz  |
|                          |  | Full-speed mode (400kHz)          | 2.8   |                       |     | MHz  |
|                          |  | Fast mode (1MHz)                  | 6.14  |                       |     | MHz  |
|                          |  | High-speed mode (3.4MHz)          | 20.88 |                       |     | MHz  |
| <b>USART (UART mode)</b> |  |                                   |       |                       |     |      |
| f <sub>UARTCLK</sub>     | USART input clock frequency            |                                   |       | f <sub>PCLK</sub> /16 |     | MHz  |
| f <sub>UARTBAUD</sub>    | USART baud rate                        | f <sub>USARTCLK</sub> = 7.1825MHz |       | 1                     |     | Mbps |
| <b>USART (SPI mode)</b>  |  |                                   |       |                       |     |      |
| f <sub>SPICLK</sub>      | USART input clock frequency            | Master mode                       |       |                       | 50  | MHz  |
|                          |  | Slave mode                        |       |                       | 50  | MHz  |
| f <sub>USARTSPICLK</sub> | USART SPI clock frequency              | Master mode                       |       |                       | 25  | MHz  |
|                          |  | Slave mode                        |       |                       | 25  | MHz  |
| <b>CAN</b>               |  |                                   |       |                       |     |      |
| f <sub>CANCLK</sub>      | CAN input clock frequency              |                                   |       |                       | 50  | MHz  |
| f <sub>CANTX</sub>       | CAN transmit clock frequency           |                                   |       |                       | 1   | Mbps |
| f <sub>CANRX</sub>       | CAN receive clock frequency            |                                   |       |                       | 1   | Mbps |

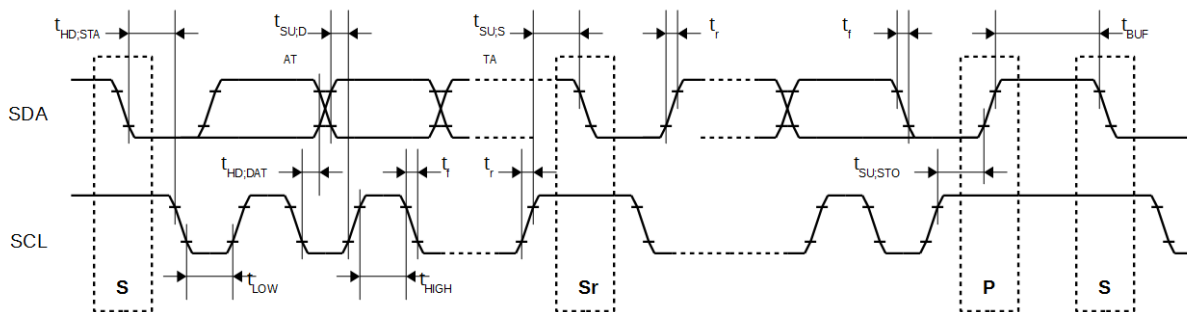
**Table 19-2 I<sup>2</sup>C Dynamic Characteristics**

 (V<sub>CCIO</sub> = 3.3V, V<sub>SYS</sub> = 5V, V<sub>CORE</sub> = 1.2V, and T<sub>A</sub> = -40°C to 125°C unless otherwise specified.)

| SYMBOL              | PARAMETER                                | CONDITIONS      | MIN  | TYP | MAX | UNIT |
|---------------------|--|-----------------|------|-----|-----|------|
| f <sub>SCL</sub>    | SCL clock frequency                      | Standard mode   | 0    |     | 100 | kHz  |
|                     |  | Full-speed mode | 0    |     | 400 | kHz  |
|                     |  | Fast mode       | 0    |     | 1   | MHz  |
| t <sub>LOW</sub>    | SCL clock low                            | Standard mode   | 4.7  |     |     | μs   |
|                     |  | Full-speed mode | 1.3  |     |     | μs   |
|                     |  | Fast mode       | 0.5  |     |     | μs   |
| t <sub>HIGH</sub>   | SCL clock high                           | Standard mode   | 4.0  |     |     | μs   |
|                     |  | Full-speed mode | 0.6  |     |     | μs   |
|                     |  | Fast mode       | 0.26 |     |     | μs   |
| t <sub>HD,STA</sub> | Hold time for a repeated START condition | Standard mode   | 4.0  |     |     | μs   |
|                     |  | Full-speed mode | 0.6  |     |     | μs   |

|              |  |                                |      |         |
|--------------|--|--------------------------------|------|---------|
|              |  | Fast mode                      | 0.26 | μs      |
| $t_{SU,STA}$ | Set-up time for a repeated START condition       | Standard mode                  | 4.7  | μs      |
|              |  | Full-speed mode                | 0.6  | μs      |
|              |  | Fast mode                      | 0.26 | μs      |
|              |  |                                |      |         |
| $t_{HD,DAT}$ | Data hold time                                   | Standard mode                  | 0    | 3.45 μs |
|              |  | Full-speed mode                | 0    | 0.9 μs  |
|              |  | Fast mode                      | 0    | μs      |
| $t_{SU,DAT}$ | Data setup time                                  | Standard mode                  | 250  | ns      |
|              |  | Full-speed mode                | 100  | ns      |
|              |  | Fast mode                      | 50   | ns      |
| $t_{SU,STO}$ | Set-up time for STOP condition                   | Standard mode                  | 4.0  | μs      |
|              |  | Full-speed mode                | 0.6  | μs      |
|              |  | Fast mode                      | 0.26 | μs      |
| $t_{BUF}$    | Bus free time between a STOP and START condition | Standard mode                  | 4.7  | μs      |
|              |  | Full-speed mode                | 1.3  | μs      |
|              |  | Fast mode                      | 0.5  | μs      |
| $t_r$        | Rise time for SDA and SCL                        | Standard mode                  |      | 1000 ns |
|              |  | Full-speed mode                | 20   | 300 ns  |
|              |  | Fast mode                      |      | 120 ns  |
| $t_f$        | Fall time for SDA and SCL                        | Standard mode                  |      | 300 ns  |
|              |  | Full-speed mode                |      | 300 ns  |
|              |  | Fast mode                      |      | 120 ns  |
| $C_b$        | Capacitive load for each bus line                | Standard mode, full-speed mode |      | 400 pF  |
|              |  | Fast mode                      |      | 550 pF  |

Figure 19-2 I<sup>2</sup>C Timing Diagram

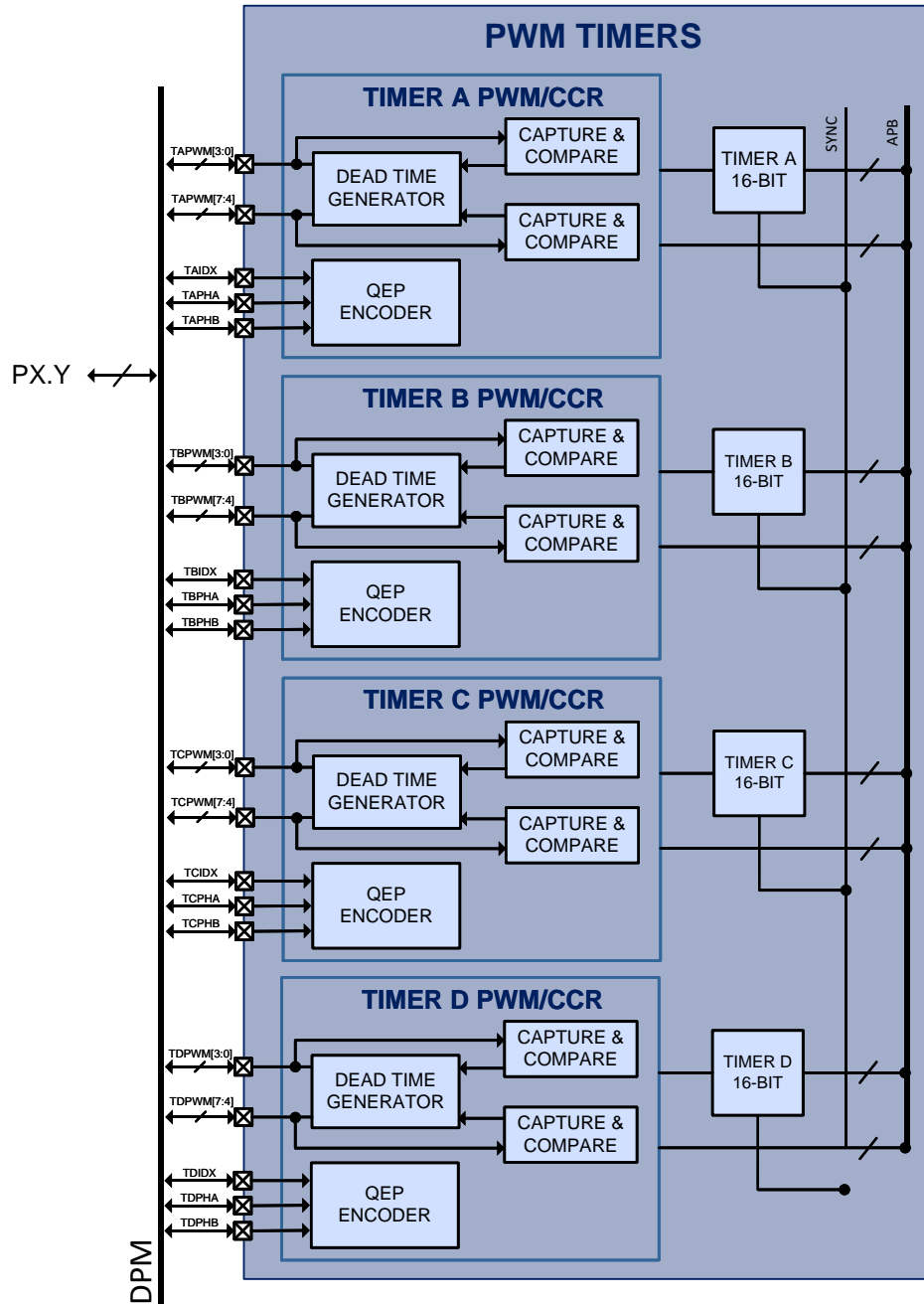




## 20 PWM TIMERS

### 20.1 Block Diagram

Figure 20-1 PWM Timers Block Diagram



### 20.2 Timer Features

- Configurable input clock source: PCLK or ACLK

- Up to 300MHz input clock
- 3-bit Input clock divider
- Timer counting modes
  - up, up/down and asymmetric
- Timer latch modes
  - Latch when counter = 0
  - Latch when counter = period
  - Latch when CCR value written
  - Latch all CCR values at same time
- Base timer interrupts
- Single shot or auto-reload

#### 20.2.1 CCR/PWM Timer

- PWM output or capture input
- CCR interrupt enable
- CCR interrupt skips
- SW force CCR interrupt
- CCR interrupt type
  - Rising, falling or both
- CCR compare latch modes
  - Latch when counter = 0
  - Latch when counter = period
  - Latch immediate
- CCR capture latch modes
  - Latch on rising edge
  - Latch on falling edge
  - Latch on both rising and falling edges
- Invert CCR output
- CCR phase delay for phase shifted drive topologies
- ADC trigger outputs
  - PWM rising edge or falling edge

#### 20.2.2 Dead-time Generators (DTG)

- DTG enabled
- 12-bit rising edge delay
- 12-bit falling edge delay

#### 20.2.3 QEP Decoder

- QEP encoder enabled
- Direction status
- Configurable Interrupts:
  - Phase A rising edge

- Phase B rising edge
- Index event
- Counter wrap
- 4 different counting modes for best resolution, range and speed performance

## 21 GENERAL PURPOSE TIMERS

### 21.1 Block Diagram

Figure 21-1 SOC Bus Watchdog and Wake-up Timer

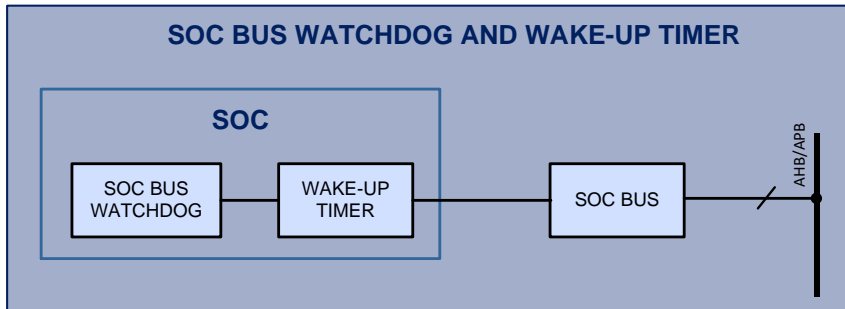
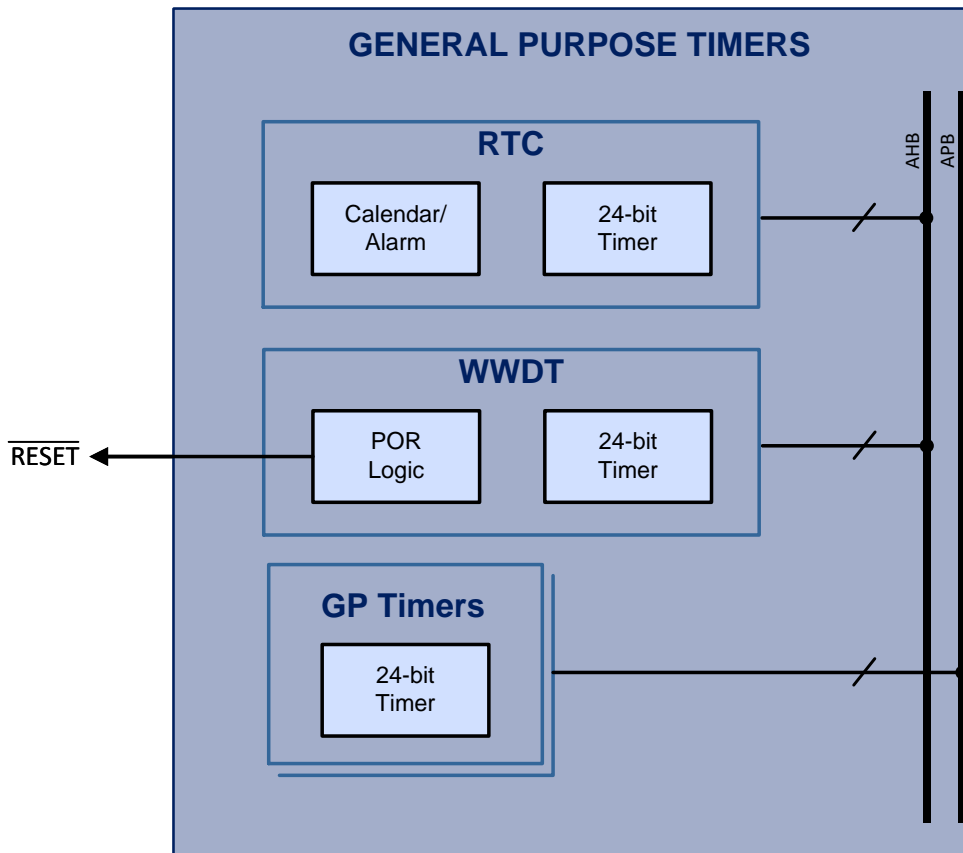


Figure 21-2 General Purpose Timers



### 21.2 Functional Description

#### 21.2.1 SOC Bus Watchdog Timer

The SOC Bus Watchdog Timer is used to monitor internal SOC Bus communication. It will trigger a device reset if there is no SOC Bus communication to the AFE for 4s or 8s.

### 21.2.2 Wake-up Timer

The wake-up timer can be used for very low power hibernate and sleep modes to wake up the micro controller periodically. It can be configured to be 125ms, 250ms, 500ms, 1s, 2s, 4, or 8s.

### 21.2.3 Real-time Clock with Calendar (RTC)

The 24-bit real-time clock with calendar (RTC) is an AHB bus client and may also be used to measure long time periods and periodic wake up from sleep mode.

The RTC uses FRCLK as its clock source and has a divider that can be configured up to a /65536 input clock divider. In order to count accurately, the input clock divider must be configured to generate a 1MHz clock to the RTC.

The RTC counts the time (seconds, minutes, hours, days) since enabled. It also allows the user to set a calendar date to set an alarm function that can be configured to generate an interrupt to the NVIC when it counts to that value.

### 21.2.4 Windowed Watchdog Timer (WWDT)

The 24-bit windowed watchdog timer (WWDT) is an AHB bus client and can be used for long time period measurements or periodic wake up from sleep mode. Its primary use is to reset the system via a POR if it is not reset at a certain periodic interval.

The WWDT can be configured to use FRCLK or ROSCCLK as its clock source and has a divider that be configured up to a /65536 input clock divider.

The WWDT can be configured to allow only a small window when it is valid to reset the timer, to maximize application security and catch any stray code operating on the MCU.

The WWDT may be configured to enable an interrupt for the MCU, and the timer can be disabled when unused to save energy for low power operations.

### 21.2.5 GP Timer (GPT)

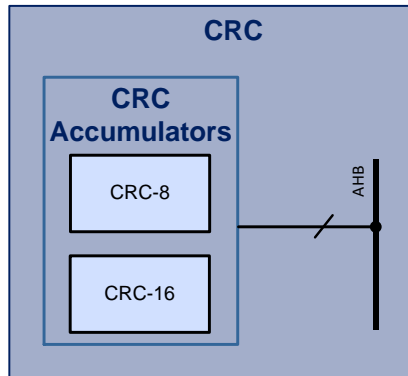
The PAC55XX contains two General Purpose (GP) Timers.

These timers are 24-bit timers and are both APB bus clients. These count-down timers use PCLK as their input clock and have a configurable divider of up to /32768. Each of the GPT can be configured to interrupt the MCU when they count down to 0.

## 22 CRC

### 22.1 Block Diagram

Figure 22-1 CRC Block Diagram



### 22.2 Functional Description

The CRC peripheral can perform CRC calculation on data through registers from the MCU to accelerate the calculation or validation of a CRC for communications protocols or data integrity checks.

The CRC peripheral allows the calculation of both CRC-8 and CRC-16 on data. The CRC peripheral also allows the user to specify a seed value, select the data input to be 8b or 32b and to reflect the final output for firmware efficiency.

The CRC peripheral is an AHB slave and has the following features:

- Polynomial selection via configuration register:
  - CCITT CRC-16 (0x1021)
  - IBM/ANSI CRC-16 (0x8005)
  - Dallas/Maxim CRC-8 (0x31)
- Input data width: 8b, 32b
- Reflect input
- Reflect output
- Specify seed value

## 23 THERMAL CHARACTERISTICS

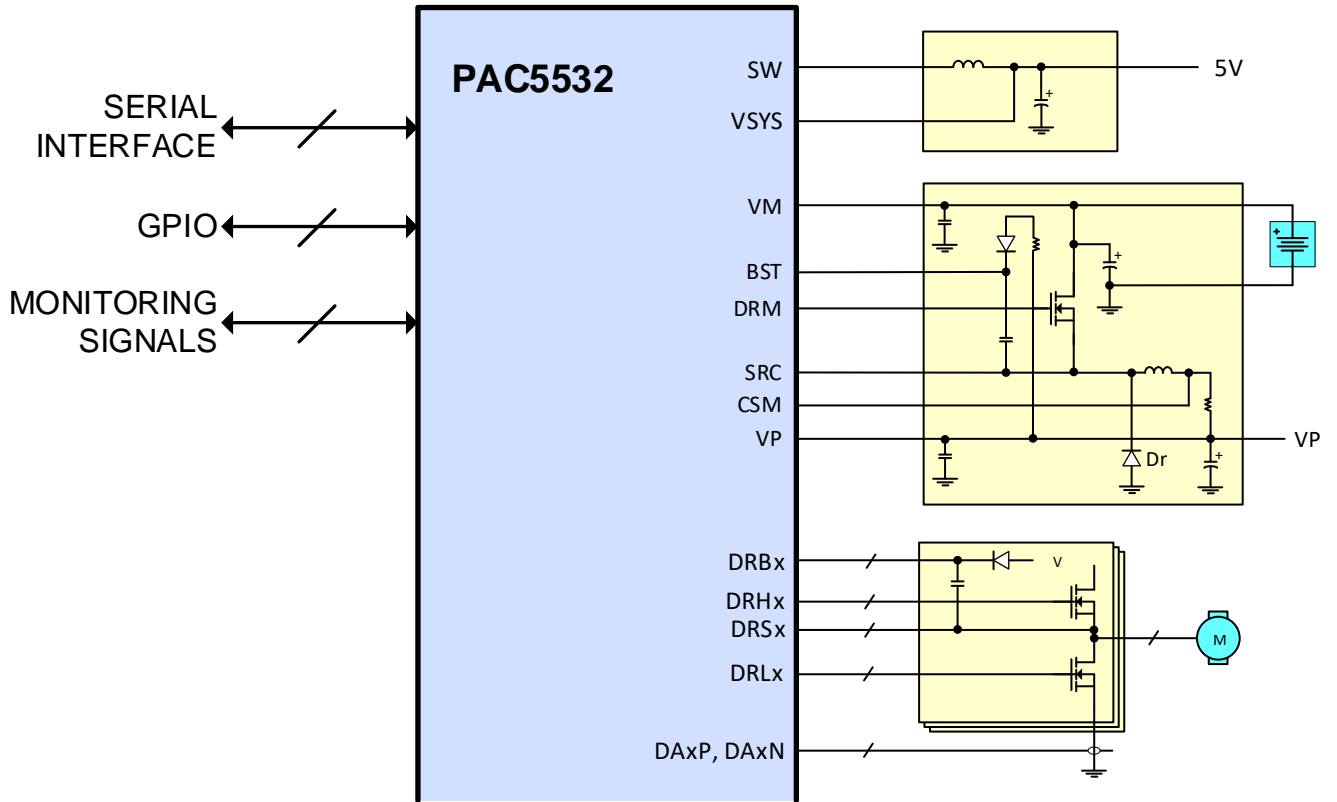
Table 23-1 Thermal Characteristics

| PARAMETER  | VALUE      | UNIT |
|--|------------|------|
| Operating ambient temperature range                      | -40 to 125 | °C   |
| Operating junction temperature range                     | -40 to 150 | °C   |
| Storage temperature range                                | -55 to 150 | °C   |
| Lead temperature (Soldering, 10 seconds)                 | 300        | °C   |
| Junction-to-case thermal resistance ( $\Theta_{JC}$ )    | 2.897      | °C/W |
| Junction-to-ambient thermal resistance ( $\Theta_{JA}$ ) | 23.36      | °C/W |

## 24 APPLICATION EXAMPLES

The following simplified diagram shows an example of a single-motor, low-voltage application using the PAC5532 device.

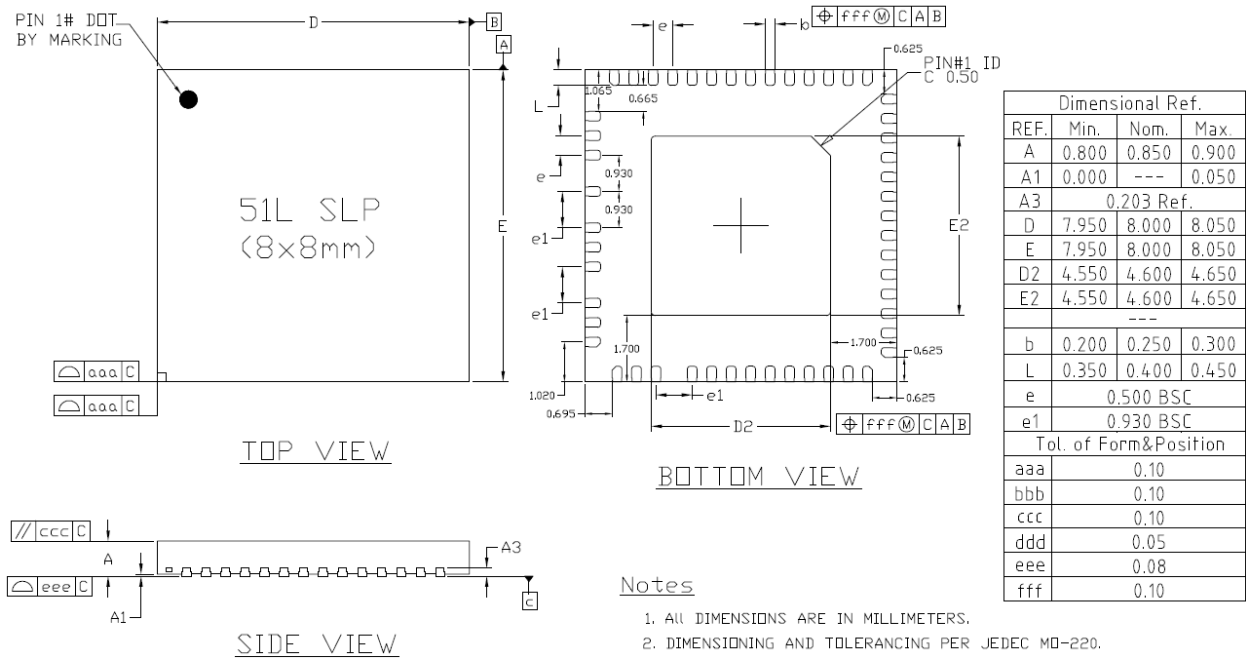
Figure 24-1 3-Phase Motor Using PAC5532 (Simplified Diagram)





## 25 PACKAGE OUTLINE AND DIMENSIONS

### 25.1 51L SLP Package Outline and Dimensions



## 26 LEGAL INFORMATION

Copyright © 2019 Active-Semi, Inc. All rights reserved.

All information provided in this document is subject to legal disclaimers.

Active-Semi reserves the right to modify its products, circuitry or product specifications without notice. Active-Semi products are not intended, designed, warranted or authorized for use as critical components in life-support, life-critical or safety-critical devices, systems, or equipment, nor in applications where failure or malfunction of any Active-Semi product can reasonably be expected to result in personal injury, death or severe property or environmental damage. Active-Semi accepts no liability for inclusion and/or use of its products in such equipment or applications. Active-Semi does not assume any liability arising out of the use of any product, circuit, or any information described in this document. No license, express, implied or otherwise, is granted under any patents, copyrights or other intellectual property rights of Active-Semi or others. Active-Semi assumes no liability for any infringement of the intellectual property rights or other rights of third parties which would result from the use of information contained herein. Customers should evaluate each product to make sure that it is suitable for their applications. Customers are responsible for the design, testing, and operation of their applications and products using Active-Semi products. Customers should provide appropriate design and operating safeguards to minimize the risks associated with their applications and products. All products are sold subject to Active-Semi's terms and conditions of sale supplied at the time of order acknowledgment. Exportation of any Active-Semi product may be subject to export control laws.

Active-Semi<sup>®</sup>, the Active-Semi logo and Power Application Controller<sup>®</sup> are registered trademarks of Active-Semi, Inc.

Solutions for Sustainability<sup>™</sup>, Micro Application Controller<sup>™</sup>, Multi-Mode Power Manager<sup>™</sup>, Configurable Analog Front End<sup>™</sup>, and Application Specific Power Drivers<sup>™</sup> are trademarks of Active-Semi, Inc.

Arm<sup>®</sup> and Cortex<sup>®</sup> are registered trademarks of ARM Limited. All referenced brands and trademarks are the property of their respective owners.

For more information on this and other products, contact [sales@active-semi.com](mailto:sales@active-semi.com) or visit [www.active-semi.com](http://www.active-semi.com).

Компания «Океан Электроники» предлагает заключение долгосрочных отношений при поставках импортных электронных компонентов на взаимовыгодных условиях!

Наши преимущества:

- Поставка оригинальных импортных электронных компонентов напрямую с производств Америки, Европы и Азии, а так же с крупнейших складов мира;
- Широкая линейка поставок активных и пассивных импортных электронных компонентов (более 30 млн. наименований);
- Поставка сложных, дефицитных, либо снятых с производства позиций;
- Оперативные сроки поставки под заказ (от 5 рабочих дней);
- Экспресс доставка в любую точку России;
- Помощь Конструкторского Отдела и консультации квалифицированных инженеров;
- Техническая поддержка проекта, помощь в подборе аналогов, поставка прототипов;
- Поставка электронных компонентов под контролем ВП;
- Система менеджмента качества сертифицирована по Международному стандарту ISO 9001;
- При необходимости вся продукция военного и аэрокосмического назначения проходит испытания и сертификацию в лаборатории (по согласованию с заказчиком);
- Поставка специализированных компонентов военного и аэрокосмического уровня качества (Xilinx, Altera, Analog Devices, Intersil, Interpoint, Microsemi, Actel, Aeroflex, Peregrine, VPT, Syfer, Eurofarad, Texas Instruments, MS Kennedy, Miteq, Cobham, E2V, MA-COM, Hittite, Mini-Circuits, General Dynamics и др.);

Компания «Океан Электроники» является официальным дистрибьютором и эксклюзивным представителем в России одного из крупнейших производителей разъемов военного и аэрокосмического назначения «JONHON», а так же официальным дистрибьютором и эксклюзивным представителем в России производителя высокотехнологичных и надежных решений для передачи СВЧ сигналов «FORSTAR».



## JONHON

«JONHON» (основан в 1970 г.)

Разъемы специального, военного и аэрокосмического назначения:

(Применяются в военной, авиационной, аэрокосмической, морской, железнодорожной, горно- и нефтедобывающей отраслях промышленности)

«FORSTAR» (основан в 1998 г.)

ВЧ соединители, коаксиальные кабели, кабельные сборки и микроволновые компоненты:

(Применяются в телекоммуникациях гражданского и специального назначения, в средствах связи, РЛС, а так же военной, авиационной и аэрокосмической отраслях промышленности).



Телефон: 8 (812) 309-75-97 (многоканальный)

Факс: 8 (812) 320-03-32

Электронная почта: [ocean@oceanchips.ru](mailto:ocean@oceanchips.ru)

Web: <http://oceanchips.ru/>

Адрес: 198099, г. Санкт-Петербург, ул. Калинина, д. 2, корп. 4, лит. А