

# L4T Four Terminal High Precision Current Sense Resistor



Available in two sizes ARCOL's. Four Terminal High Precision Current Sense Resistor offers High Power in a small package utilising advanced thick film technology.



## Applications

- Power Management Applications
- Switching Power Supply
- Over current Protection
- Portable Devices

## Characteristics

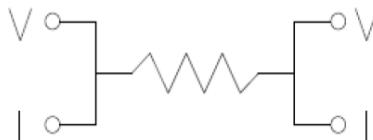
| Item                         | Requirement               | Test Method  |
|------------------------------|---------------------------|--|
| TCR                          | As Spec                   | +25/-55/+25/+125/25°C  |
| Short Time Overload          | $\pm(0.5\%+0.0005\Omega)$ | RCWV*2.5 or Max. Overload voltage whichever is lower for 5 seconds         |
| Insulation Resistance        | >1000M $\Omega$           | Apply 100Vdc for 1 minute  |
| Endurance                    | $\pm(0.5\%+0.0005\Omega)$ | 70 $\pm$ 2°, RCWV for 1000hrs with 1.5 hrs ON and 0.5hrs OFF               |
| Damp Heat with Load          | $\pm(0.5\%+0.0005\Omega)$ | 40 $\pm$ 2°, 90~95% R.H. RCWV for 1000 hrs with 1.5 hrs ON and 0.5 hrs OFF |
| Bending Strength             | $\pm(0.5\%+0.0005\Omega)$ | Bending amplitude 3mm for 10 seconds                                       |
| Solderability                |                           | 245 $\pm$ 5°C for 3 seconds  |
| Dielectric Withstand Voltage |                           | Apply Max. Overload Voltage for 1 minute                                   |
| Resistance to Soldering Heat | $\pm(0.5\%+0.0005\Omega)$ | 260 $\pm$ 5°C for 10seconds  |
| Rapid change of temperature  | $\pm(0.5\%+0.0005\Omega)$ | -55°C ~ 155°C, 5 cycles  |

RCWV(Rated continuous working voltage)=  $\sqrt{(P*R)}$  or Max. Operating voltage whichever is lower.

- Reference Standards: MIL-STD-202, JIS-C 5201
- Storage Temperature: 15 ~ 28°C; Humidity <80% RH

## Schematic Diagram

- V = Voltage Terminal
- I = Current Terminal



ARCOL UK Limited,  
Threemilestone Ind. Estate,  
Truro, Cornwall, TR4 9LG, UK.  
T +44 (0) 1872 277431  
F +44 (0) 1872 222002  
E sales@arcolresistors.com

[www.arcolresistors.com](http://www.arcolresistors.com)

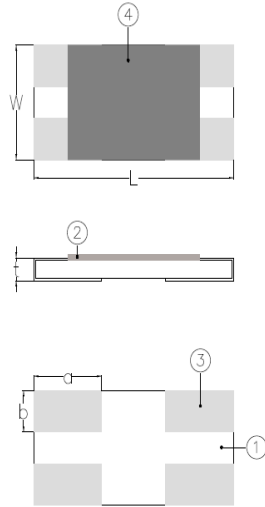
The information contained herein does not form part of a contract and is subject to change without notice. ARCOL operate a policy of continual product development, therefore, specifications may change.

It is the responsibility of the customer to ensure that the component selected from our range is suitable for the intended application. If in doubt please ask ARCOL.

# 4LT Four Terminal High Precision Current Sense Resistor



## Construction



|   |                   |   |                 |
|---|-------------------|---|-----------------|
| 1 | Alumina Substrate | 4 | Protection Coat |
| 2 | Resistor Layer    | 5 | Barrier Layer   |
| 3 | Electrode         |   |                 |

## Dimensions(mm)

| Type  | Size (Inch) | L       | W       | T        | a       | b        | Weight (g)<br>(1000 pcs) |
|-------|-------------|---------|---------|----------|---------|----------|--------------------------|
| L4T12 | 1206        | 3.0±0.2 | 1.6±0.2 | 0.5±0.15 | 1.0±0.2 | 0.55±0.2 | 10                       |
| L4T20 | 2010        | 5.0±0.2 | 2.5±0.2 | 0.5±0.15 | 1.7±0.2 | 0.9±0.2  | 29                       |

| Item<br>Type | Power Rating<br>at 70°C | Operating<br>Temp Range | Resistance Range (mΩ) |     |     |     | TCR(PPM/°C)        |
|--------------|-------------------------|-------------------------|-----------------------|-----|-----|-----|--------------------|
|              |                         |                         | ±0.5%                 | ±1% | ±2% | ±5% |                    |
| L4T12 (1206) | 1/2W                    | -55 ~ + 155°C           | 10 - 20               |     |     |     | ±50 (E)<br>±75 (F) |
| L4T20 (2010) | 3/4W                    | -55 ~ + 155°C           | 10 - 20               |     |     |     | ±50 (E)<br>±75 (F) |

Operating Voltage =  $\sqrt{P \cdot R}$  or Max operating voltage listed above, whichever is lower.  
 Overload Voltage =  $2.5\sqrt{P \cdot R}$  or Max overload voltage listed above, whichever is lower.

ARCOL UK Limited,  
 Threemilestone Ind. Estate,  
 Truro, Cornwall, TR4 9LG, UK.  
 T +44 (0) 1872 277431  
 F +44 (0) 1872 222002  
 E sales@arcolresistors.com

[www.arcolresistors.com](http://www.arcolresistors.com)

The information contained herein does not form part of a contract and is subject to change without notice. ARCOL operate a policy of continual product development, therefore, specifications may change.

It is the responsibility of the customer to ensure that the component selected from our range is suitable for the intended application. If in doubt please ask ARCOL.

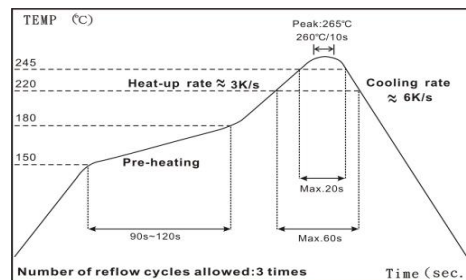
# 4LT Four Terminal High Precision Current Sense Resistor



## Reflow Soldering Profile

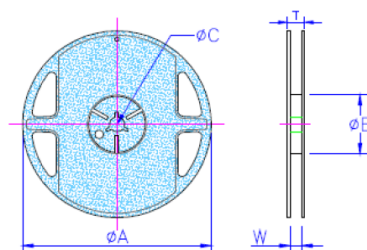
IR Reflow Soldering

Time of IR reflow soldering at maximum temperature point 260°C:10s

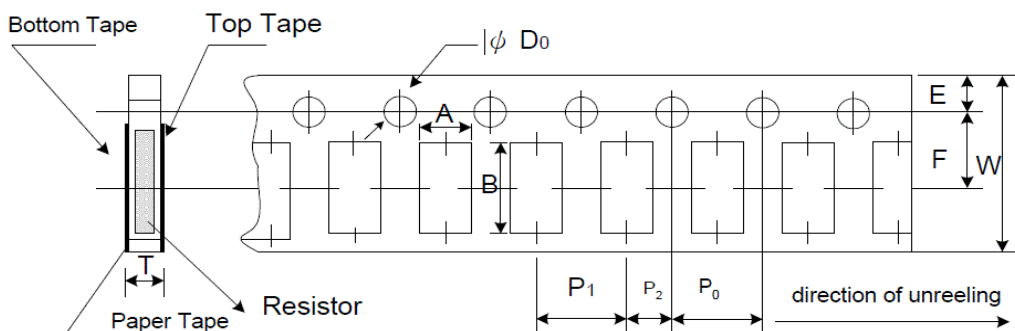


## Packing Quantity & Reel Specifications(mm)

| Type  | øA        | øB       | øC       | W        | T        | Paper Tape (EA) | Emboss Plastic Tape (EA) |
|-------|-----------|----------|----------|----------|----------|-----------------|--------------------------|
| L4T12 | 178.0±1.0 | 60.0±1.0 | 13.5±0.7 | 9.5±1.0  | 11.5±1.0 | 5,000           |                          |
| L4T20 | 178.0±1.0 | 60.0±1.0 | 13.5±0.7 | 13.5±1.0 | 15.5±1.0 |                 | 4,000                    |

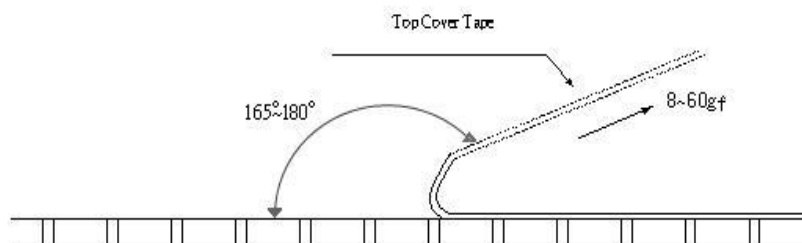


Paper Tape Specifications(mm)



| Type  | A         | B         | W         | E         | F        | P0        | P1        | P2        | øD0       | T         |
|-------|-----------|-----------|-----------|-----------|----------|-----------|-----------|-----------|-----------|-----------|
| L4T12 | 2.00±0.05 | 3.55±0.05 | 8.00±0.10 | 1.75±0.05 | 3.5±0.05 | 4.00±0.10 | 4.00±0.10 | 2.00±0.05 | 1.55±0.05 | 0.75±0.05 |

- Peel force of top cover tape
- The peel speed shall be about 300mm/min±5%
- The peel force of top cover tape shall be between 8gf to 80gf



ARCOL UK Limited,  
Threemilestone Ind. Estate,  
Truro, Cornwall, TR4 9LG, UK.  
T +44 (0) 1872 277431  
F +44 (0) 1872 222002  
E sales@arcolresistors.com

[www.arcolresistors.com](http://www.arcolresistors.com)

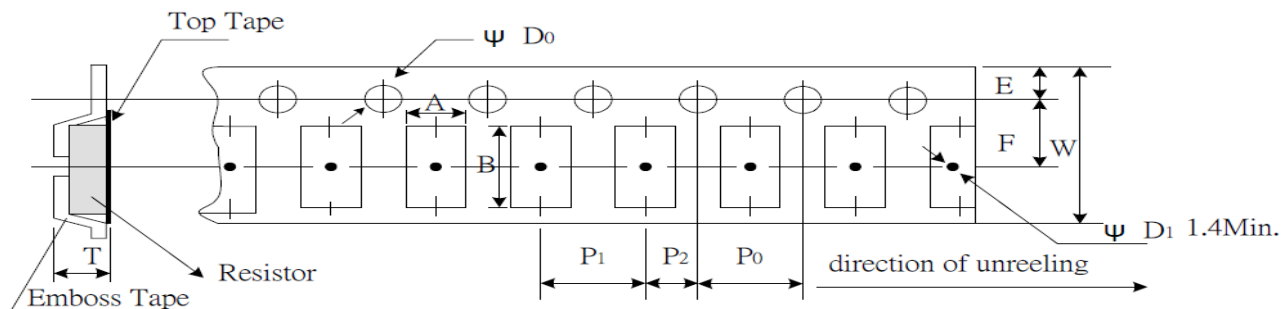
The information contained herein does not form part of a contract and is subject to change without notice. ARCOL operate a policy of continual product development, therefore, specifications may change.

It is the responsibility of the customer to ensure that the component selected from our range is suitable for the intended application. If in doubt please ask ARCOL.

# 4LT Four Terminal High Precision Current Sense Resistor

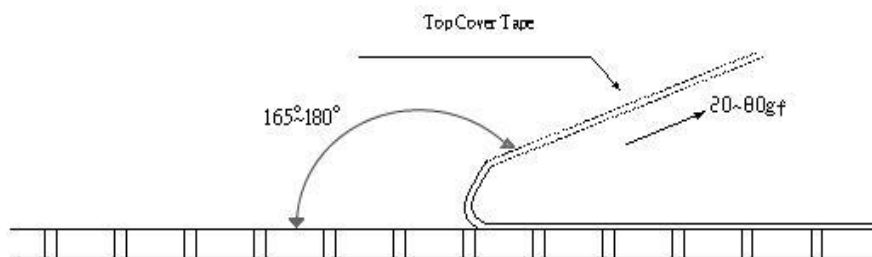


Emboss Plastic Tape Specifications(mm)



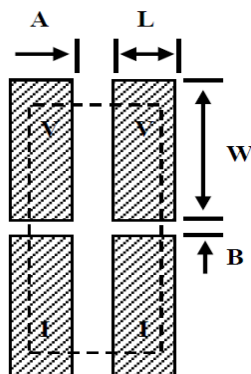
| Type  | A         | B         | W         | E         | F        | P0        | P1        | P2        | øD0       | T         |
|-------|-----------|-----------|-----------|-----------|----------|-----------|-----------|-----------|-----------|-----------|
| L4T20 | 2.85±0.10 | 5.45±0.10 | 12.0±0.10 | 1.75±0.05 | 5.5±0.05 | 4.00±0.05 | 4.00±0.10 | 2.00±0.05 | 1.50±0.10 | 1.00±0.20 |

- Peel force of top cover tape
- The peel speed shall be about 300mm/min±5%
- The peel force of top cover tape shall be between 20gf to 80gf



## Recommended Pad layout(mm)

| Type  | L    | W    | A    | B    |
|-------|------|------|------|------|
| L4T12 | 1.75 | 1.10 | 1.00 | 0.30 |
| L4T20 | 2.55 | 1.55 | 1.40 | 0.50 |



ARCOL UK Limited,  
 Threemilestone Ind. Estate,  
 Truro, Cornwall, TR4 9LG, UK.  
 T +44 (0) 1872 277431  
 F +44 (0) 1872 222002  
 E sales@arcolresistors.com

[www.arcolresistors.com](http://www.arcolresistors.com)

The information contained herein does not form part of a contract and is subject to change without notice. ARCOL operate a policy of continual product development, therefore, specifications may change.

It is the responsibility of the customer to ensure that the component selected from our range is suitable for the intended application. If in doubt please ask ARCOL.

# 4LT Four Terminal High Precision Current Sense Resistor



## Ordering Procedure

Standard Resistor: Series(L4T12/L4T20), TCR (50PPM (E), 75PPM (F)), Resistance Value(10mΩ - 20mΩ), Tolerance,RoHs (E),Tape(R)

Standard Part Numbers

| 1%            | 0.5%          |
|---------------|---------------|
| L4T12FR010FER | L4T12FR010DER |
| L4T12FR015FER | L4T12FR015DER |
| L4T12FR020FER | L4T12FR020DER |
| L4T20FR010FER | L4T20FR010DER |
| L4T20FR015FER | L4T20FR015DER |
| L4T20FR020FER | L4T20FR020DER |

ARCOL UK Limited,  
Threemilestone Ind. Estate,  
Truro, Cornwall, TR4 9LG, UK.  
T +44 (0) 1872 277431  
F +44 (0) 1872 222002  
E sales@arcolresistors.com

[www.arcolresistors.com](http://www.arcolresistors.com)

The information contained herein does not form part of a contract and is subject to change without notice. ARCOL operate a policy of continual product development, therefore, specifications may change.

It is the responsibility of the customer to ensure that the component selected from our range is suitable for the intended application. If in doubt please ask ARCOL.

Компания «Океан Электроники» предлагает заключение долгосрочных отношений при поставках импортных электронных компонентов на взаимовыгодных условиях!

Наши преимущества:

- Поставка оригинальных импортных электронных компонентов напрямую с производств Америки, Европы и Азии, а так же с крупнейших складов мира;
- Широкая линейка поставок активных и пассивных импортных электронных компонентов (более 30 млн. наименований);
- Поставка сложных, дефицитных, либо снятых с производства позиций;
- Оперативные сроки поставки под заказ (от 5 рабочих дней);
- Экспресс доставка в любую точку России;
- Помощь Конструкторского Отдела и консультации квалифицированных инженеров;
- Техническая поддержка проекта, помощь в подборе аналогов, поставка прототипов;
- Поставка электронных компонентов под контролем ВП;
- Система менеджмента качества сертифицирована по Международному стандарту ISO 9001;
- При необходимости вся продукция военного и аэрокосмического назначения проходит испытания и сертификацию в лаборатории (по согласованию с заказчиком);
- Поставка специализированных компонентов военного и аэрокосмического уровня качества (Xilinx, Altera, Analog Devices, Intersil, Interpoint, Microsemi, Actel, Aeroflex, Peregrine, VPT, Syfer, Eurofarad, Texas Instruments, MS Kennedy, Miteq, Cobham, E2V, MA-COM, Hittite, Mini-Circuits, General Dynamics и др.);

Компания «Океан Электроники» является официальным дистрибьютором и эксклюзивным представителем в России одного из крупнейших производителей разъемов военного и аэрокосмического назначения «JONHON», а так же официальным дистрибьютором и эксклюзивным представителем в России производителя высокотехнологичных и надежных решений для передачи СВЧ сигналов «FORSTAR».



## JONHON

«JONHON» (основан в 1970 г.)

Разъемы специального, военного и аэрокосмического назначения:

(Применяются в военной, авиационной, аэрокосмической, морской, железнодорожной, горно- и нефтедобывающей отраслях промышленности)

«FORSTAR» (основан в 1998 г.)

ВЧ соединители, коаксиальные кабели, кабельные сборки и микроволновые компоненты:

(Применяются в телекоммуникациях гражданского и специального назначения, в средствах связи, РЛС, а так же военной, авиационной и аэрокосмической отраслях промышленности).



Телефон: 8 (812) 309-75-97 (многоканальный)

Факс: 8 (812) 320-03-32

Электронная почта: [ocean@oceanchips.ru](mailto:ocean@oceanchips.ru)

Web: <http://oceanchips.ru/>

Адрес: 198099, г. Санкт-Петербург, ул. Калинина, д. 2, корп. 4, лит. А