

ACT8505															
Radiation Hardened															
64-Channel Analog Multiplexer Module															
With MUX Output Monitor Function															

Features

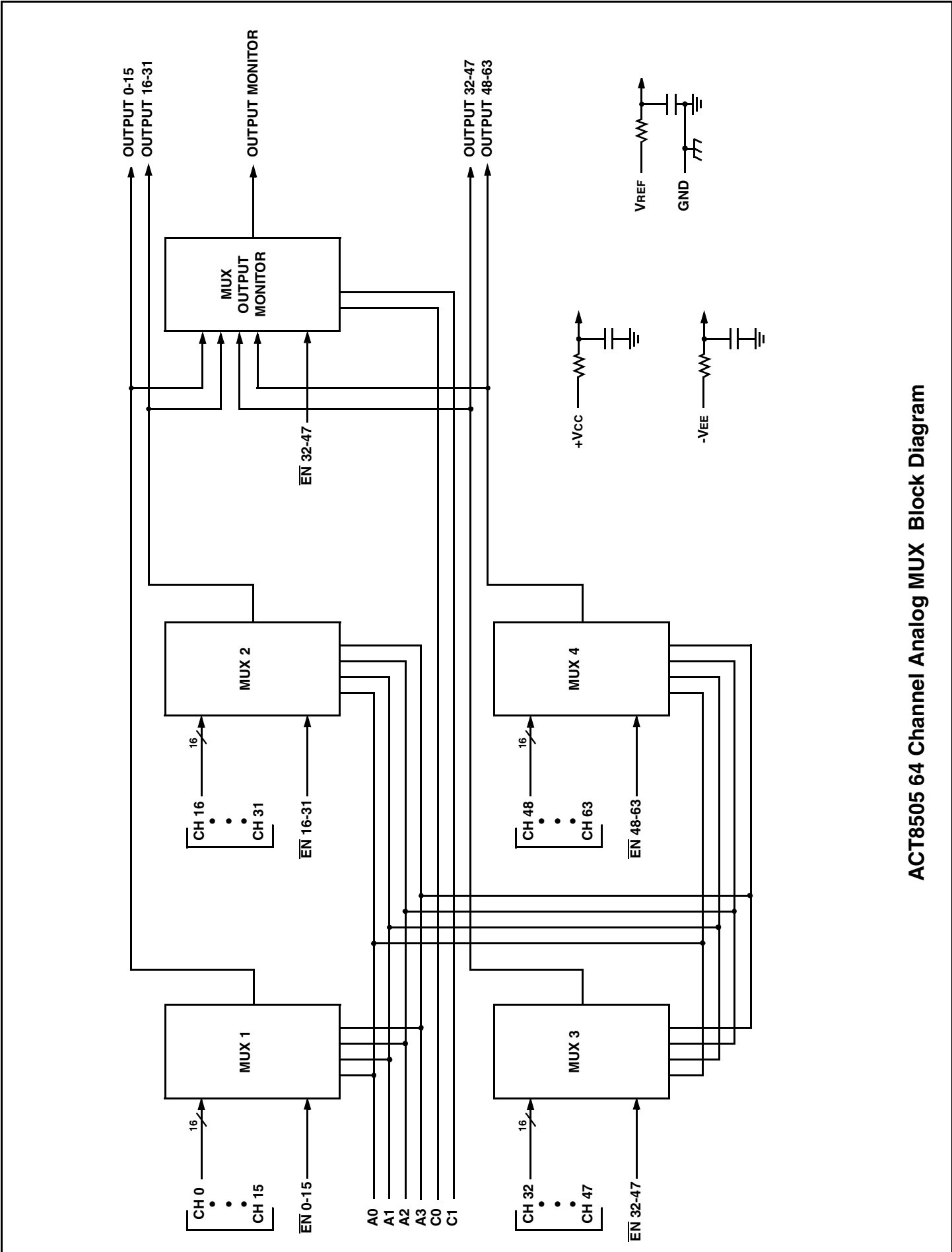
- **Radiation Environment**
 - Radiation 300K(Si) Total Dose
 - No Latch-Up or SEE to 120MeV/cm²/mg
- **Full Military Temperature Range**
- **Low Power Consumption < 75mW, typical 50mW**
- **64 Channels Provided by Four (4) HS-1840RH Multiplexers**
- **Address Bus (A0-3), and Four Enable lines afford flexible organization**
- **Output Monitoring of HS-1840RH outputs to a Fifth HS1840RH. Controlled with C0, C1 Address Lines.**
- **Fast Access Time 1500ns**
- **±35V Input Over Voltage Protection (Power On or Off)**
- **Break-Before-Make Switching**
- **High Analog Input Impedance (Power On or Off)**
- **Dielectrically Isolated Device Islands**
- **No Latch-Up**
- **Same *Form / Fit / Function* as ACT8504 but no input Transorbs**
- **Packaging – Hermetic Ceramic Quad Flat Pack**
 - 96 Leads, 1.32" Sq x .20" Ht Quad Flat Pack
 - Typical Weight 15 grams
- **DESC SMD Pending**



General Description

Aeroflex's ACT8505 is a radiation hardened, multi-chip 64 channel multiplexer MCM (multi-chip module) for use in space applications.

The ACT8505 has been specifically designed to meet exposure to radiation environments. The multiplexer is available in a 96 lead High Temperature Co-Fired Ceramic (HTCC) Quad Flatpack (QFP) and is guaranteed operational from -55°C to +125°C. Available screened in accordance with MIL-PRF-38534, the ACT8505 is ideal for demanding military and space applications.



ACT8505 64 Channel Analog MUX Block Diagram

Organization and Application

The ACT8505 consists of four 16 channel muxes arranged as shown in the Block Diagram. The muxes channels 0-63 are controlled by address lines $A_0 - A_3$. The mux output monitor is controlled by address lines C_0, C_1 .

The ACT8505 design is inherently Radiation Hard due to the HS1840RH Multiplexers as well as Microsemi Corp. Transient Suppressors (Reference Microsemi MicroNotes Series 050 - page 14).

NOTE: It is recommended that all "NC or "no connect pin", be grounded. This eliminates or minimizes any ESD or static buildup.

Absolute Maximum Ratings 1/

Parameter	Range	Units
Case Operating Temperature Range	-55 to +125	°C
Storage Temperature Range	-55 to +150	°C
Supply Voltage +VCC (Pin 44) -VEE (Pin 46) VREF (Pin 48)	+20 -20 +20	V V V
Digital Input Overvoltage VEN (Pins 5, 6, 91, 92), VA (Pins 93, 95, 1, 3), VC (Pins 2, 4)	< VR +4 > GND -4	V V
Analog Input Over Voltage Vs	±18	V

Notes:

1/ All measurements are made with respect to ground.

NOTICE: Stresses above those listed under "Absolute Maximums Rating" may cause permanent damage to the device. These are stress rating only; functional operation beyond the "Operation Conditions" is not recommended and extended exposure beyond the "Operation Conditions" may effect device reliability.

Recommended Operating Conditions

Symbol	Parameter	Typical	Units
+VCC	+15V Power Supply Voltage	+15.0	V
-VEE	-15V Power Supply Voltage	-15.0	V
VREF	Reference Voltage	+5.00	V
VAL	Logic Low Level	+0.8	V
VAH	Logic High Level	+4.0	V

DC Electrical Performance Characteristics 1/

(Tc = -55°C to +125°C, +VEE = +15V, -VEE = -15V, VREF = +5.0V, Unless otherwise specified)

Parameter	Symbol	Conditions	Min	Max	Units
Supply Current	I+	VEN(0-63) = VA(0-3)A = VA(0-1)C = 0	.25	2.5	mA
	I-	VEN(0-63) = VA(0-3)A = VA(0-1)C = 0	-2.5	-.25	mA
	+ISBY	VEN(0-63) = 4V, VA(0-3)A = VA(0-1)C = 0 6/	0.25	2.5	mA
	-ISBY	VEN(0-63) = 4V, VA(0-3)A = VA(0-1)C = 0 6/	-2.5	0.25	mA
Address Input Current	I _{AL} (0-3)A	VA = 0V 1/	-4	4	µA
	I _{AH} (0-3)A	VA = 5V 1/	-4	4	µA
	I _{AL} (0-1)C	VA = 0V 1/	-1	1	µA
	I _{AH} (0-1)C	VA = 5V 1/	-1	1	µA
Enable Input Current	I _{ENL} (0-15)	VEN(0-15) = 0V	-1	1	µA
	I _{ENH} (0-15)	VEN(0-15) = 5V	-1	1	µA
	I _{ENL} (16-31)	VEN(16-31) = 0V	-1	1	µA
	I _{ENH} (16-31)	VEN(16-31) = 5V	-1	1	µA
	I _{ENL} (32-47),(MuxMON)	VEN(32-47), VEN(MuxMON) = 0V	-2	2	µA
	I _{ENH} (32-47),(MuxMON)	VEN(32-47), VEN(MuxMON) = 5V	-2	2	µA
	I _{ENL} (48-63)	VEN(48-63) = 0V	-1	1	µA
	I _{ENH} (48-63)	VEN(48-63) = 5V	-1	1	µA

DC Electrical Performance Characteristics 1/ (con't)

(T_c = -55°C to +125°C, +V_{EE} = +15V, -V_{EE} = -15V, V_{REF} = +5.0V, Unless otherwise specified)

Parameter	Symbol	Conditions	Min	Max	Units
Positive Input Leakage Current CH0-CH63	+ISOFFOUTPUT(ALL)	V _{IN} = +10V, V _{EN} = 4V, output and all unused MUX inputs under test = -10V <u>2/</u> , <u>3/</u>	-100	+100	nA
	+ISOFFCURRENT(ALL)		-100	+100	nA
Negative Input Leakage Current CH0-CH63	-ISOFFOUTPUT(ALL)	V _{IN} = -10V, V _{EN} = 4V, output and all unused MUX inputs under test = +10V <u>2/</u> , <u>3/</u>	-100	+100	nA
	-ISOFFCURRENT(ALL)		-100	+100	nA
Output Leakage Current OUTPUTS (pins 3, 13, 23 & 33) Mux Monitor (pin 69)	+IDOFFOUTPUT(ALL)	V _{OUT} = +10V, V _{EN} = 4V, output and all unused MUX inputs under test = -10V <u>3/</u> , <u>4/</u>	-100	+100	nA
	+IDOFFCURRENT(ALL)		-100	+100	nA
Output Leakage Current OUTPUTS (pins 3, 13, 23 & 33) Mux Monitor (pin 69)	-IDOFFOUTPUT(ALL)	V _{OUT} = -10V, V _{EN} = 4V, output and all unused MUX inputs under test = +10V <u>3/</u> , <u>4/</u>	-100	+100	nA
	-IDOFFCURRENT(ALL)		-100	+100	nA
Switch ON Resistance OUTPUTS (pins 25, 26, 68 & 70)	R _{DS(ON)} (0-63) _A	V _{IN} = +15V, V _{EN} = 0.8V, I _{OUT} = -1mA <u>2/</u> , <u>3/</u> , <u>5/</u>	500	3000	Ω
	R _{DS(ON)} (0-63) _B	V _{IN} = +5V, V _{EN} = 0.8V, I _{OUT} = -1mA <u>2/</u> , <u>3/</u> , <u>5/</u>	500	3000	Ω
	R _{DS(ON)} (0-63) _C	V _{IN} = -5V, V _{EN} = 0.8V, I _{OUT} = +1mA <u>2/</u> , <u>3/</u> , <u>5/</u>	500	3000	Ω
Switch ON Resistance Mux Monitor Only (pin 69) <u>6/</u>	R _{DS(ON)} (MuxMon)	-	500	3000	Ω

Notes:

- 1/ Measure inputs sequentially. Ground all unused inputs of the MUX under test. V_A is the applied input voltage to the MUXes' address lines A(0-5).
- 2/ V_{IN} is the applied input voltage to the MUXes' input channel CH0-CH63.
- 3/ V_{EN} is the applied input voltage to the MUXes' enable line En(0-15), En(16-31), En(32-47) and En(48-63).
- 4/ V_{OUT} is the applied input voltage to the MUXes' output line OUTPUT(1-15), OUTPUT(16-31), OUTPUT(32-47) and OUTPUT(48-63).
- 5/ Negative current is the current flowing out of each of the MUX pins. Positive current is the current flowing into each MUX pin.
- 6/ If not tested, shall be guaranteed to the specified limits.

Switching Characteristics

(T_c = -55°C to +125°C, V_{DD} = +15V, V_{EE} = -15V, V_R = +5.0V, Unless otherwise specified)

Parameter	Symbol	Conditions	Min	Max	Units
Switching Test MUX (For Mux Output Monitor, See Note <u>6/</u>)	t _{ONA}	R _L = 10KΩ, C _L = 50pF	10	1500	ns
	t _{OFFA}	R _L = 10KΩ, C _L = 50pF	10	2000	ns
	t _{ONEN}	R _L = 1KΩ, C _L = 50pF	10	1500	ns
	t _{OFFEN}	R _L = 1KΩ, C _L = 50pF	10	1000	ns

Truth Table (CH0 – CH15)

A3	A2	A1	A0	EN(0-15)	"ON" CHANNEL ^{1/}
X	X	X	X	H	NONE
L	L	L	L	L	CH0
L	L	L	H	L	CH1
L	L	H	L	L	CH2
L	L	H	H	L	CH3
L	H	L	L	L	CH4
L	H	L	H	L	CH5
L	H	H	L	L	CH6
L	H	H	H	L	CH7
H	L	L	L	L	CH8
H	L	L	H	L	CH9
H	L	H	L	L	CH10
H	L	H	H	L	CH11
H	H	L	L	L	CH12
H	H	L	H	L	CH13
H	H	H	L	L	CH14
H	H	H	H	L	CH15

^{1/} Between CH0-15 and OUTPUT (0-15)

Truth Table (CH16 – CH31)

A3	A2	A1	A0	EN(16-31)	"ON" CHANNEL ^{1/}
X	X	X	X	H	NONE
L	L	L	L	L	CH16
L	L	L	H	L	CH17
L	L	H	L	L	CH18
L	L	H	H	L	CH19
L	H	L	L	L	CH20
L	H	L	H	L	CH21
L	H	H	L	L	CH22
L	H	H	H	L	CH23
H	L	L	L	L	CH24
H	L	L	H	L	CH25
H	L	H	L	L	CH26
H	L	H	H	L	CH27
H	H	L	L	L	CH28
H	H	L	H	L	CH29
H	H	H	L	L	CH30
H	H	H	H	L	CH31

^{1/} Between CH16-31 and OUTPUT (16-31)

Truth Table (CH32 – CH47)

A3	A2	A1	A0	EN(32-47)	"ON" CHANNEL 1/
X	X	X	X	H	NONE
L	L	L	L	L	CH32
L	L	L	H	L	CH33
L	L	H	L	L	CH34
L	L	H	H	L	CH35
L	H	L	L	L	CH36
L	H	L	H	L	CH37
L	H	H	L	L	CH38
L	H	H	H	L	CH39
H	L	L	L	L	CH40
H	L	L	H	L	CH41
H	L	H	L	L	CH42
H	L	H	H	L	CH43
H	H	L	L	L	CH44
H	H	L	H	L	CH45
H	H	H	L	L	CH46
H	H	H	H	L	CH47

1/ Between CH32-47 and OUTPUT (32-47)

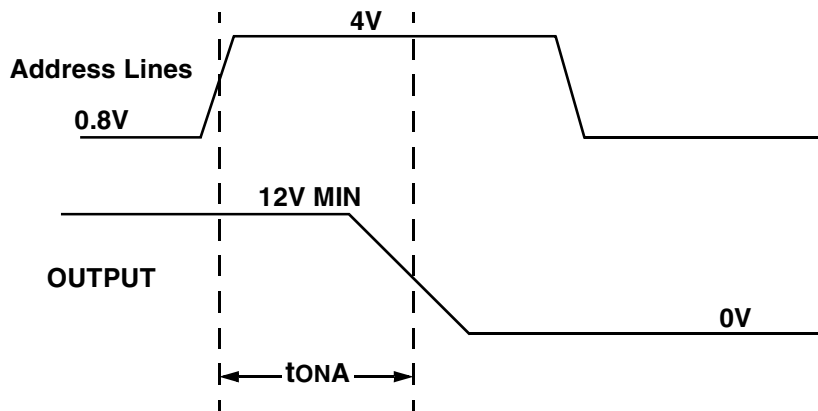
Truth Table (CH48 – CH63)

A3	A2	A1	A0	EN(47-63)	"ON" CHANNEL 1/
X	X	X	X	H	NONE
L	L	L	L	L	CH48
L	L	L	H	L	CH49
L	L	H	L	L	CH50
L	L	H	H	L	CH51
L	H	L	L	L	CH52
L	H	L	H	L	CH53
L	H	H	L	L	CH54
L	H	H	H	L	CH55
H	L	L	L	L	CH56
H	L	L	H	L	CH57
H	L	H	L	L	CH58
H	L	H	H	L	CH59
H	H	L	L	L	CH60
H	H	L	H	L	CH61
H	H	H	L	L	CH62
H	H	H	H	L	CH63

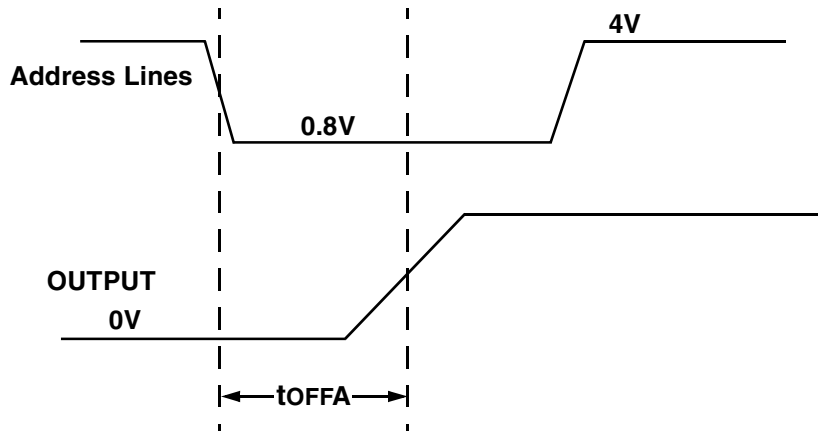
1/ Between CH48-63 and OUTPUT (48-63)

Truth Table (Mux Output Monitor)

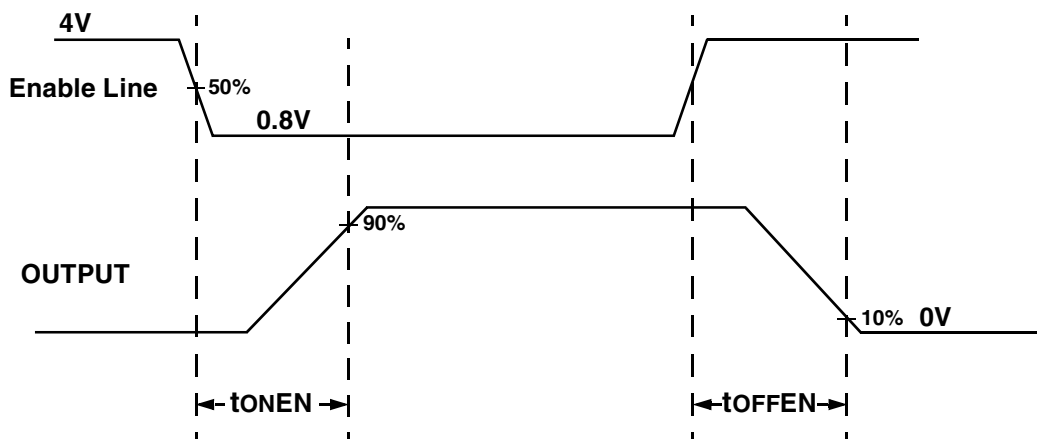
C1	C0	EN(32-47)	"ON" CHANNEL
X	X	H	NONE
L	L	L	Output Channels 0-15
L	H	L	Output Channels 16-31
H	L	L	Output Channels 32-47
H	H	L	Output Channels 48-63



Definition of tONA



Definition of toFFA



Definition of tONEN and toFFEN

Lead Numbers & Functions

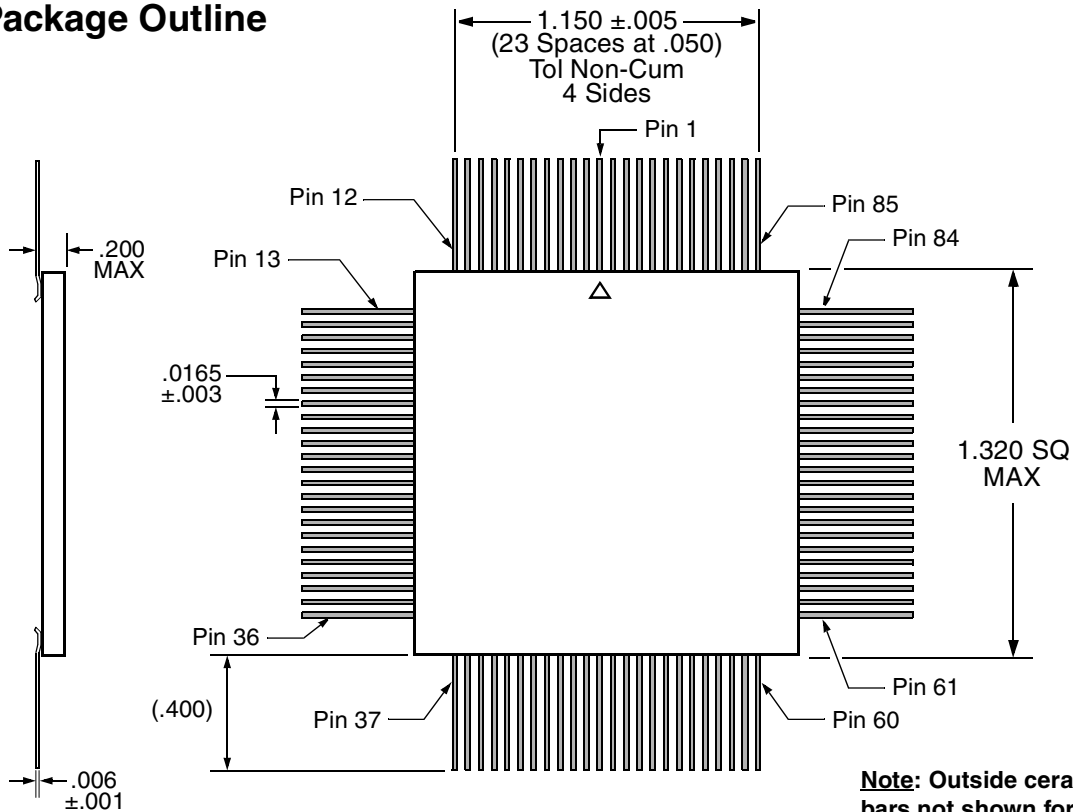
ACT8505 – 96 Leads Ceramic QUAD Flat Pack					
Pin #	Function	Pin #	Function	Pin #	Function
1	A ₂	33	CH11	65	CH49
2	C ₀	34	CH27	66	CH48
3	A ₃	35	CH12	67	NC
4	C ₁	36	CH28	68	Output V(48-63)
5	$\overline{\text{EN}}$ 0-15	37	CH13	69	Mux Output Monitor
6	$\overline{\text{EN}}$ 16-31	38	CH29	70	Output V(32-47)
7	CH0	39	CH14	71	GND
8	CH16	40	CH30	72	GND
9	CH1	41	CH15	73	CH47
10	CH17	42	CH31	74	CH46
11	CH2	43	NC	75	CH45
12	CH18	44	+VCC	76	CH44
13	CH3	45	NC	77	CH43
14	CH19	46	-VEE	78	CH42
15	CH4	47	NC	79	CH41
16	CH20	48	VREF	80	CH40
17	CH5	49	NC	81	CH39
18	CH21	50	CASE GND	82	CH38
19	CH6	51	CH63	83	CH37
20	CH22	52	CH62	84	CH36
21	CH7	53	CH61	85	CH35
22	CH23	54	CH60	86	CH34
23	GND	55	CH59	87	CH33
24	GND	56	CH58	88	CH32
25	Output V(0-15)	57	CH57	89	GND
26	Output V(16-31)	58	CH56	90	GND
27	CH8	59	CH55	91	$\overline{\text{EN}}$ 48-63
28	CH24	60	CH54	92	$\overline{\text{EN}}$ 32-47
29	CH9	61	CH53	93	A ₀
30	CH25	62	CH52	94	NC
31	CH10	63	CH51	95	A ₁
32	CH26	64	CH50	96	NC

NOTE: It is recommended that all "NC" or "no connect pin", be grounded. This eliminates or minimizes any ESD or static buildup.

Ordering Information

Model Number	Screening	DESC SMD #	Package
ACT8505-S	Military Temperature, -55°C to +125°C, Screened to the individual test methods of MIL-STD-883 IAW MIL-PRF-38534 Class K	Pending	QUAD Flat Pack
ACT8505	Military Temperature, -55°C to +125°C, Screened to the individual test methods of MIL-STD-883 IAW MIL-PRF-38534 Class H		
ACT8505-7	Commercial Flow, +25°C testing only	NA	
ACT8505-T	Commercial Flow, -55°C to +125°C testing only		
ACT8505-I	Commercial Flow, -40°C to +85°C testing only		
ACT8505-C	Commercial Flow, -0°C to +70°C testing only		

Flat Package Outline



Note: Outside ceramic tie bars not shown for clarity. Contact factory for details

Specifications subject to change without notice

Aeroflex Circuit Technology
35 South Service Road
Plainview New York 11803
www.aeroflex.com

Telephone: (516) 694-6700
FAX: (516) 694-6715
Toll Free Inquiries: (800) THE-1553
E-Mail: sales-act@aeroflex.com

Компания «Океан Электроники» предлагает заключение долгосрочных отношений при поставках импортных электронных компонентов на взаимовыгодных условиях!

Наши преимущества:

- Поставка оригинальных импортных электронных компонентов напрямую с производств Америки, Европы и Азии, а так же с крупнейших складов мира;
- Широкая линейка поставок активных и пассивных импортных электронных компонентов (более 30 млн. наименований);
- Поставка сложных, дефицитных, либо снятых с производства позиций;
- Оперативные сроки поставки под заказ (от 5 рабочих дней);
- Экспресс доставка в любую точку России;
- Помощь Конструкторского Отдела и консультации квалифицированных инженеров;
- Техническая поддержка проекта, помощь в подборе аналогов, поставка прототипов;
- Поставка электронных компонентов под контролем ВП;
- Система менеджмента качества сертифицирована по Международному стандарту ISO 9001;
- При необходимости вся продукция военного и аэрокосмического назначения проходит испытания и сертификацию в лаборатории (по согласованию с заказчиком);
- Поставка специализированных компонентов военного и аэрокосмического уровня качества (Xilinx, Altera, Analog Devices, Intersil, Interpoint, Microsemi, Actel, Aeroflex, Peregrine, VPT, Syfer, Eurofarad, Texas Instruments, MS Kennedy, Miteq, Cobham, E2V, MA-COM, Hittite, Mini-Circuits, General Dynamics и др.);

Компания «Океан Электроники» является официальным дистрибьютором и эксклюзивным представителем в России одного из крупнейших производителей разъемов военного и аэрокосмического назначения «JONHON», а так же официальным дистрибьютором и эксклюзивным представителем в России производителя высокотехнологичных и надежных решений для передачи СВЧ сигналов «FORSTAR».



JONHON

«JONHON» (основан в 1970 г.)

Разъемы специального, военного и аэрокосмического назначения:

(Применяются в военной, авиационной, аэрокосмической, морской, железнодорожной, горно- и нефтедобывающей отраслях промышленности)

«FORSTAR» (основан в 1998 г.)

ВЧ соединители, коаксиальные кабели,
кабельные сборки и микроволновые компоненты:

(Применяются в телекоммуникациях гражданского и специального назначения, в средствах связи, РЛС, а так же военной, авиационной и аэрокосмической отраслях промышленности).



Телефон: 8 (812) 309-75-97 (многоканальный)

Факс: 8 (812) 320-03-32

Электронная почта: ocean@oceanchips.ru

Web: <http://oceanchips.ru/>

Адрес: 198099, г. Санкт-Петербург, ул. Калинина, д. 2, корп. 4, лит. А