



MCP73855
Evaluation Board
User's Guide

Note the following details of the code protection feature on Microchip devices:

- Microchip products meet the specification contained in their particular Microchip Data Sheet.
- Microchip believes that its family of products is one of the most secure families of its kind on the market today, when used in the intended manner and under normal conditions.
- There are dishonest and possibly illegal methods used to breach the code protection feature. All of these methods, to our knowledge, require using the Microchip products in a manner outside the operating specifications contained in Microchip's Data Sheets. Most likely, the person doing so is engaged in theft of intellectual property.
- Microchip is willing to work with the customer who is concerned about the integrity of their code.
- Neither Microchip nor any other semiconductor manufacturer can guarantee the security of their code. Code protection does not mean that we are guaranteeing the product as "unbreakable."

Code protection is constantly evolving. We at Microchip are committed to continuously improving the code protection features of our products. Attempts to break Microchip's code protection feature may be a violation of the Digital Millennium Copyright Act. If such acts allow unauthorized access to your software or other copyrighted work, you may have a right to sue for relief under that Act.

Information contained in this publication regarding device applications and the like is provided only for your convenience and may be superseded by updates. It is your responsibility to ensure that your application meets with your specifications. MICROCHIP MAKES NO REPRESENTATIONS OR WARRANTIES OF ANY KIND WHETHER EXPRESS OR IMPLIED, WRITTEN OR ORAL, STATUTORY OR OTHERWISE, RELATED TO THE INFORMATION, INCLUDING BUT NOT LIMITED TO ITS CONDITION, QUALITY, PERFORMANCE, MERCHANTABILITY OR FITNESS FOR PURPOSE. Microchip disclaims all liability arising from this information and its use. Use of Microchip's products as critical components in life support systems is not authorized except with express written approval by Microchip. No licenses are conveyed, implicitly or otherwise, under any Microchip intellectual property rights.

Trademarks

The Microchip name and logo, the Microchip logo, Accuron, dsPIC, KEELOQ, microID, MPLAB, PIC, PICmicro, PICSTART, PRO MATE, PowerSmart, rfPIC, and SmartShunt are registered trademarks of Microchip Technology Incorporated in the U.S.A. and other countries.

AmpLab, FilterLab, MXDEV, MXLAB, PICMASTER, SEEVAL, SmartSensor and The Embedded Control Solutions Company are registered trademarks of Microchip Technology Incorporated in the U.S.A.

Analog-for-the-Digital Age, Application Maestro, dsPICDEM, dsPICDEM.net, dsPICworks, ECAN, ECONOMONITOR, FanSense, FlexROM, fuzzyLAB, In-Circuit Serial Programming, ICSP, ICEPIC, Migratable Memory, MPASM, MPLIB, MPLINK, MPSIM, PICKit, PICDEM, PICDEM.net, PICLAB, PICtail, PowerCal, PowerInfo, PowerMate, PowerTool, rLAB, rfPICDEM, Select Mode, Smart Serial, SmartTel and Total Endurance are trademarks of Microchip Technology Incorporated in the U.S.A. and other countries.

SQTP is a service mark of Microchip Technology Incorporated in the U.S.A.

All other trademarks mentioned herein are property of their respective companies.

© 2004, Microchip Technology Incorporated, Printed in the U.S.A., All Rights Reserved.

 Printed on recycled paper.

QUALITY MANAGEMENT SYSTEM
CERTIFIED BY DNV
== ISO/TS 16949:2002 ==

Microchip received ISO/TS-16949:2002 quality system certification for its worldwide headquarters, design and wafer fabrication facilities in Chandler and Tempe, Arizona and Mountain View, California in October 2003. The Company's quality system processes and procedures are for its PICmicro® 8-bit MCUs, KEELOQ® code hopping devices, Serial EEPROMs, microperipherals, nonvolatile memory and analog products. In addition, Microchip's quality system for the design and manufacture of development systems is ISO 9001:2000 certified.



MCP73855 EVALUATION BOARD USER'S GUIDE

Table of Contents

Preface	1
Chapter 1. Product Overview	5
1.1 Introduction and Highlights	5
1.2 What is the MCP73855 Evaluation Board?	5
1.3 What the MCP73855 Evaluation Board Kit Includes	5
Chapter 2. MCP73855 Evaluation Board Installation	7
2.1 Features	7
2.2 Getting Started	7
2.3 Detailed Description	8
Appendix A. Schematic and Layouts	11
A.1 Introduction	11
A.2 Board Schematic	12
A.3 Board - Assembly Drawing	13
A.4 Board - Top Layer	13
A.5 Board - Bottom Layer	14
Appendix B. Bill-Of-Materials (BOM)	15
Worldwide Sales and Service	16

MCP73855 Evaluation Board User's Guide

NOTES:

Preface

NOTICE TO CUSTOMERS

All documentation becomes dated, and this manual is no exception. Microchip tools and documentation are constantly evolving to meet customer needs, so some actual dialogs and/or tool descriptions may differ from those in this document. Please refer to our web site (www.microchip.com) to obtain the latest documentation available.

Documents are identified with a “DS” number. This number is located on the bottom of each page, in front of the page number. The numbering convention for the DS number is “DSXXXXA”, where “XXXX” is the document number and “A” is the revision level of the document.

For the most up-to-date information on development tools, see the MPLAB® IDE on-line help. Select the Help menu, and then Topics to open a list of available on-line help files.

INTRODUCTION

This chapter contains general information that will be useful to know before using the MCP73855 Evaluation Board. Items discussed in this chapter include:

- About This Guide
- Recommended Reading
- The Microchip Web Site
- Customer Support

MCP73855 Evaluation Board User's Guide

ABOUT THIS GUIDE

Document Layout

This document describes how to use the MCP73855 Evaluation Board. The manual layout is as follows:

- **Chapter 1: Product Overview** – important information about the MCP73855 Evaluation Board.
- **Chapter 2: MCP73855 Evaluation Board Installation** – for users evaluating the MCP73855, this chapter describes how to use the various features of the hardware.
- **Appendix A: Schematic and Layouts** – shows the schematic and layout diagrams for the MCP73855 Evaluation Board.
- **Appendix B: Bill-of-Materials** – lists the parts used to build the MCP73855 Evaluation Board.

Conventions Used in this Guide

This manual uses the following documentation conventions:

DOCUMENTATION CONVENTIONS

Description	Represents	Examples
Arial font:		
Italic characters	Referenced books	<i>MPLAB[®] IDE User's Guide</i>
	Emphasized text	...is the <i>only</i> compiler...
Initial caps	A window	the Output window
	A dialog	the Settings dialog
	A menu selection	select Enable Programmer
Quotes	A field name in a window or dialog	"Save project before build"
Underlined, italic text with right angle bracket	A menu path	<u><i>File>Save</i></u>
Bold characters	A dialog button	Click OK
	A tab	Click the Power tab
'bnnnn'	A binary number where <i>n</i> is a digit	'b00100, 'b10
Text in angle brackets < >	A key on the keyboard	Press <Enter>, <F1>
Courier font:		
Plain Courier	Sample source code	#define START
	Filenames	autoexec.bat
	File paths	c:\mcc18\h
	Keywords	_asm, _endasm, static
	Command-line options	-Opa+, -Opa-
	Bit values	0, 1
Italic Courier	A variable argument	<i>file.o</i> , where <i>file</i> can be any valid filename
0xnnnn	A hexadecimal number where <i>n</i> is a hexadecimal digit	0xFFFF, 0x007A
Square brackets []	Optional arguments	mcc18 [options] <i>file</i> [options]
Curly brackets and pipe character: { }	Choice of mutually exclusive arguments; an OR selection	errorlevel {0 1}
Ellipses...	Replaces repeated text	var_name [, var_name...]
	Represents code supplied by user	void main (void) { ... }

MCP73855 Evaluation Board User's Guide

RECOMMENDED READING

This user's guide describes how to use the MCP73855 Evaluation Board. Other useful documents are listed below. The following Microchip documents are available and recommended as supplemental reference resources.

MCP73853/55 Data Sheet (DS21915)

This data sheet provides detailed information regarding the MCP7385X devices.

THE MICROCHIP WEB SITE

Microchip provides online support via our web site at www.microchip.com. This web site is used as a means to make files and information easily available to customers. Accessible by using your favorite Internet browser, the web site contains the following information:

- **Product Support** – Data sheets and errata, application notes and sample programs, design resources, user's guides and hardware support documents, latest software releases and archived software
- **General Technical Support** – Frequently Asked Questions (FAQ), technical support requests, online discussion groups, Microchip consultant program member listing
- **Business of Microchip** – Product selector and ordering guides, latest Microchip press releases, listing of seminars and events, listings of Microchip sales offices, distributors and factory representatives

CUSTOMER SUPPORT

Users of Microchip products can receive assistance through several channels:

- Distributor or Representative
- Local Sales Office
- Field Application Engineer (FAE)
- Technical Support
- Development Systems Information Line

Customers should contact their distributor, representative or field application engineer (FAE) for support. Local sales offices are also available to help customers. A listing of sales offices and locations is included in the back of this document.

Technical support is available through the web site at: <http://support.microchip.com>

In addition, there is a Development Systems Information Line which lists the latest versions of Microchip's development systems software products. This line also provides information on how customers can receive currently available upgrade kits.

The Development Systems Information Line numbers are:

1-800-755-2345 – United States and most of Canada

1-480-792-7302 – Other International Locations

Chapter 1. Product Overview

1.1 INTRODUCTION AND HIGHLIGHTS

This chapter provides an overview of the MCP73855 Evaluation Board and covers the following topics:

- What is the MCP73855 Evaluation Board?
- What the MCP73855 Evaluation Board Kit Includes

1.2 WHAT IS THE MCP73855 EVALUATION BOARD?

The MCP73855 Evaluation Board is an evaluation and demonstration tool for Microchip Technology's MCP73855 USB Compatible Li-Ion/Li-Polymer Charge Management Controller. The design provides for dynamic versatility while being able to handle accurate measurements.

The MCP73855 Evaluation Board allows for the evaluation of the MCP73855 device in a variety of applications.

1.3 WHAT THE MCP73855 EVALUATION BOARD KIT INCLUDES

This MCP73855 Evaluation Board Kit includes:

- The MCP73855 Evaluation Board (102-00040)
- MCP73855 Device (Installed)
- MCP73853/55 Data Sheet (DS21915)
- MCP73855 Evaluation Board User's Guide (DS51522)

MCP73855 Evaluation Board User's Guide

NOTES:

Chapter 2. MCP73855 Evaluation Board Installation

2.1 FEATURES

The MCP73855 Evaluation Board has the following features:

- Evaluation of the MCP73855 USB Compatible Li-Ion/Li-Polymer Charge Management Controller in a 3mm x 3mm, 10-Lead DFN Package
- Simple, stand-alone operation or microcontroller-compatible
- Powered from external bench supply, wall cube or USB port
- Surface-mount design
- Fully assembled and tested

2.2 GETTING STARTED

The MCP73855 Evaluation Board is a fully-functional, assembled and tested, surface-mount board used for evaluation of Microchip's MCP73855 USB Compatible Li-Ion/Li-Polymer Charge Management Controller. The following steps provide simple, stand-alone operation. Refer to Figure 2-1 for the setup configuration diagram. The setup configuration diagram depicts evaluation of the installed MCP73855 for single-cell applications.

1. Connect an external bench supply, wall cube or USB port to the surface-mount test points provided. The input voltage source should be in the range of 4.5V to 5.5V. Refer to **Section 2.3.1 "Input Source"** for details on the input source requirements.

Note: Observe correct polarity of connection. Positive terminal connects to J2, V_{IN+} ; negative terminal connects to J3, V_{IN-} .

2. Connect a single-cell Li-Ion or Li-Polymer battery pack to the circuit for evaluation.

Note: Observe correct polarity of connection. Positive terminal connects to J5, V_{BAT+} ; negative terminal connects to J6, V_{BAT-} .

3. Turn on the bench supply or plug in the wall cube/USB port.
4. A green LED (D_1) provides status during the charge cycle. Refer to the MCP73853/55 data sheet (DS21915) for details.

MCP73855 Evaluation Board User's Guide

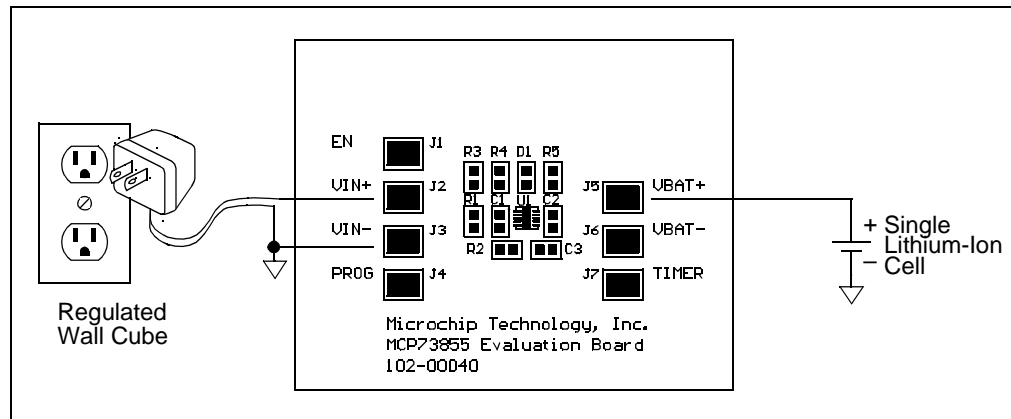


FIGURE 2-1: Setup Configuration Diagram.

2.3 DETAILED DESCRIPTION

The MCP73855 Evaluation Board is set-up to evaluate simple, stand-alone, linear charging of single-cell Li-Ion/Li-Polymer battery packs. The reference design provides constant current charging followed by constant voltage charging with automatic charge termination. As provided, the MCP73855 Evaluation Board is set for fast charge constant current levels of 85 mA with J4 (PROG) open and 400 mA with J4 (PROG) connected to J3 (V_{IN-}). The MCP73855 is provided in a 3 mm X 3 mm, 10-lead DFN package and is equipped with shutdown control, status indicator and safety timer. Refer to the MCP73853/55 data sheet (DS21915) for details on individual device features.

2.3.1 Input Source

The MCP73855 Evaluation Board is designed to provide a fast charge current up to 400 mA, typically. The input source should provide a voltage in the range of 4.5V to 5.5V. The input source should be capable of providing a minimum of 2.5W.

Charge currents between 85 mA and 400 mA can be obtained by adjusting the value of the charge programming resistors (R_2) and connecting surface-mount test point J4 (PROG) to J3 (V_{IN-}). Refer to the MCP73853/55 data sheet (DS21915) for details on determining the appropriate programming resistor.

2.3.2 Safety Timer Periods

The MCP73855 Evaluation Board can be used with a variety of battery packs. As provided, the MCP73855 Evaluation Board is set up to perform well with single-cell, 100 mAh to 500 mAh battery packs. Battery packs with alternative capacities and various charge currents can be implemented. The safety timer periods may need to be adjusted in order to ensure a full charge. The safety timer periods can be adjusted by changing the capacitance of C_3 . Refer to the MCP73853/55 data sheet (DS21915) for details on determining the appropriate timer capacitance.

2.3.3 Disable Control

The MCP73855 Evaluation Board is designed to provide stand-alone operation. The installed MCP73855 device is enabled whenever the input source is present. To disable charging, a jumper can be placed between J1 (EN) and J3 (V_{IN-}).

2.3.4 Battery Headers

Independent battery connections are provided. The battery pack positive terminal should be connected to J5 (V_{BAT+}). The battery pack's negative terminal should be connected to J6 (V_{BAT-}).

Note: Improper connection of the battery may result in damage to the battery and the possibility of personal injury. It is also important to avoid shorting the battery terminals together.

2.3.5 Device Support Options

The MCP73855 Evaluation Board supports the MCP73855 device. The MCP73855 Evaluation Board is provided with one reference design utilizing the MCP73855.

2.3.6 Microcontroller option

Connection points provide easily accessible locations for interface to a host microcontroller. The host microcontroller can be used to disable the charger, monitor charge status or terminate a charge.

2.3.7 Output voltage options

The MCP73855 Evaluation Board is provided with a Constant-voltage mode output voltage of 4.2V. Evaluation with a Constant-voltage mode output voltage of 4.1V can be achieved by moving resistor R_4 to R_3 , or by shorting the R_3 pads.

MCP73855 Evaluation Board User's Guide

NOTES:

Appendix A. Schematic and Layouts

A.1 INTRODUCTION

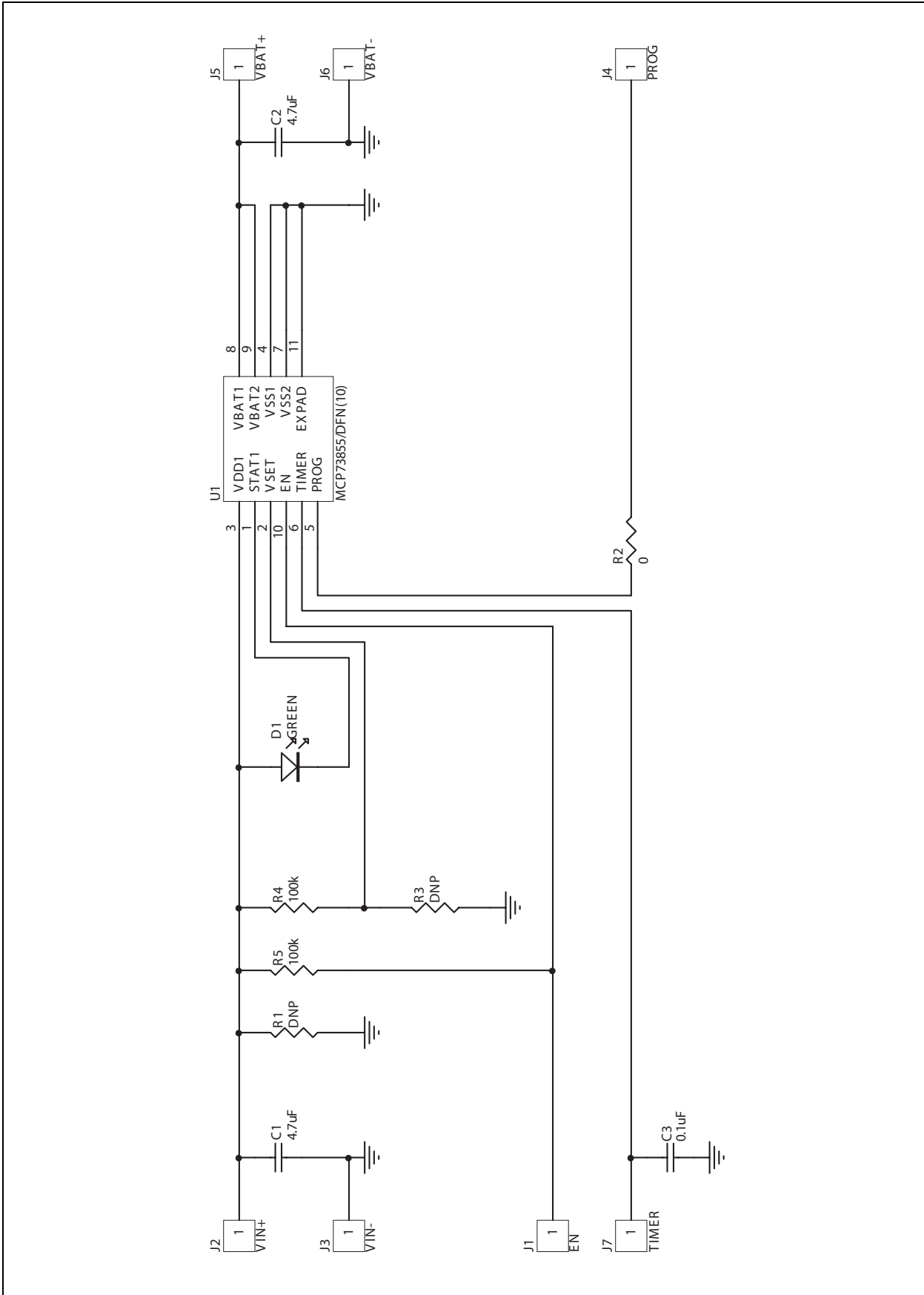
This appendix contains the following schematics and layout diagrams for the MCP73855 Evaluation Board.

Diagrams included in this appendix:

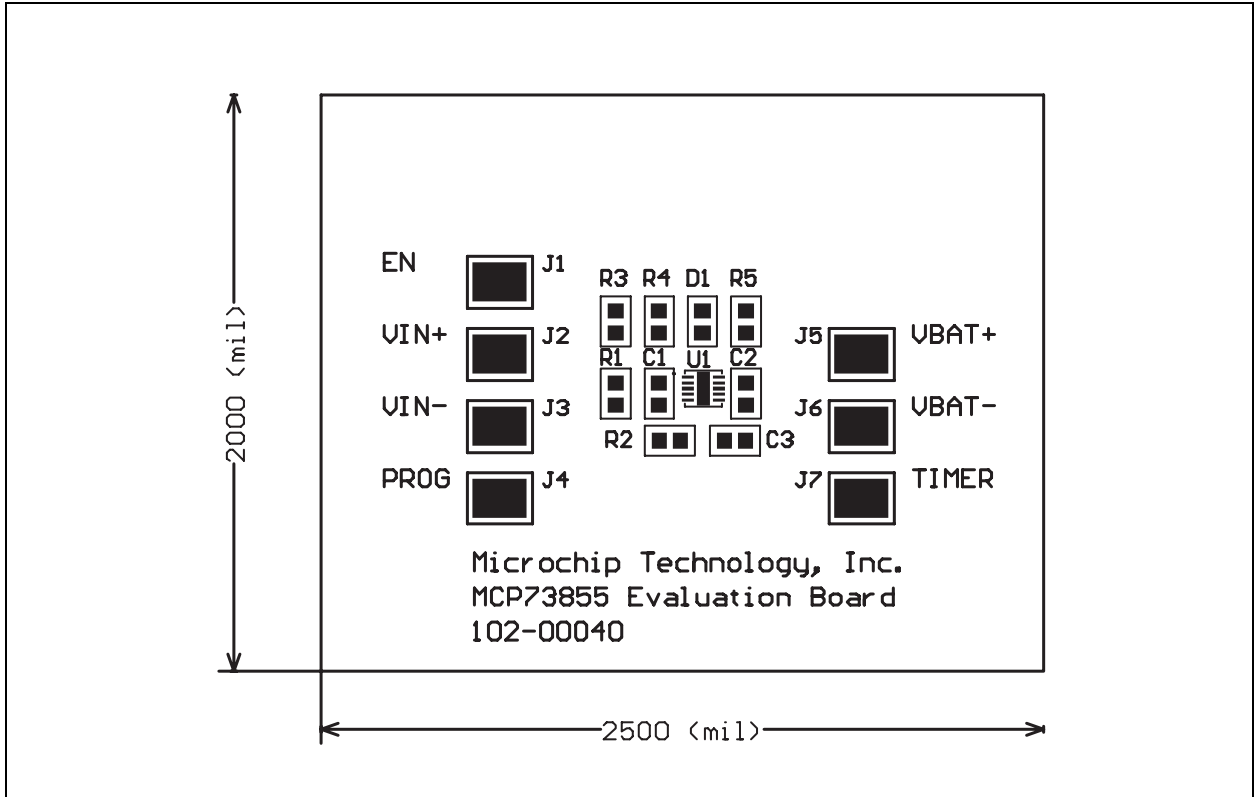
- Board Schematic
- Board - Assembly Drawing
- Board - Top Layer
- Board - Bottom Layer

MCP73855 Evaluation Board User's Guide

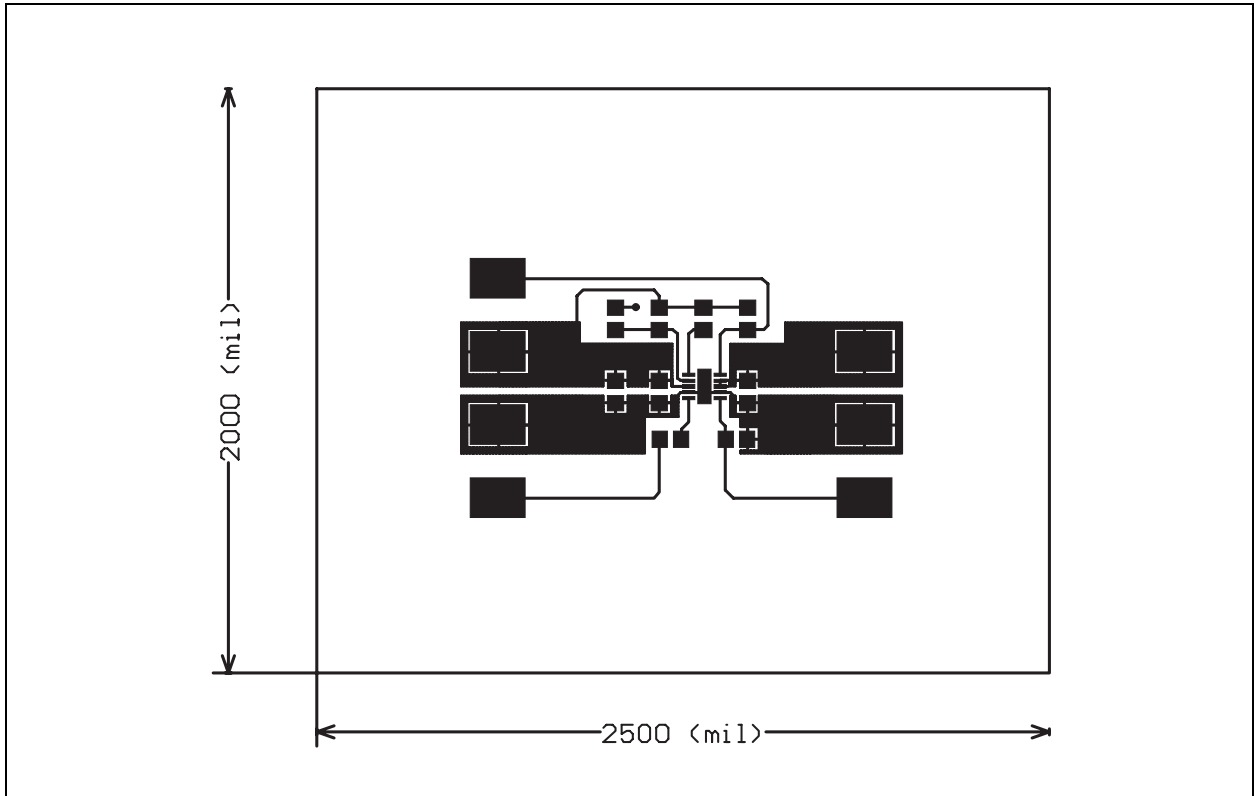
A.2 BOARD SCHEMATIC



A.3 BOARD - ASSEMBLY DRAWING

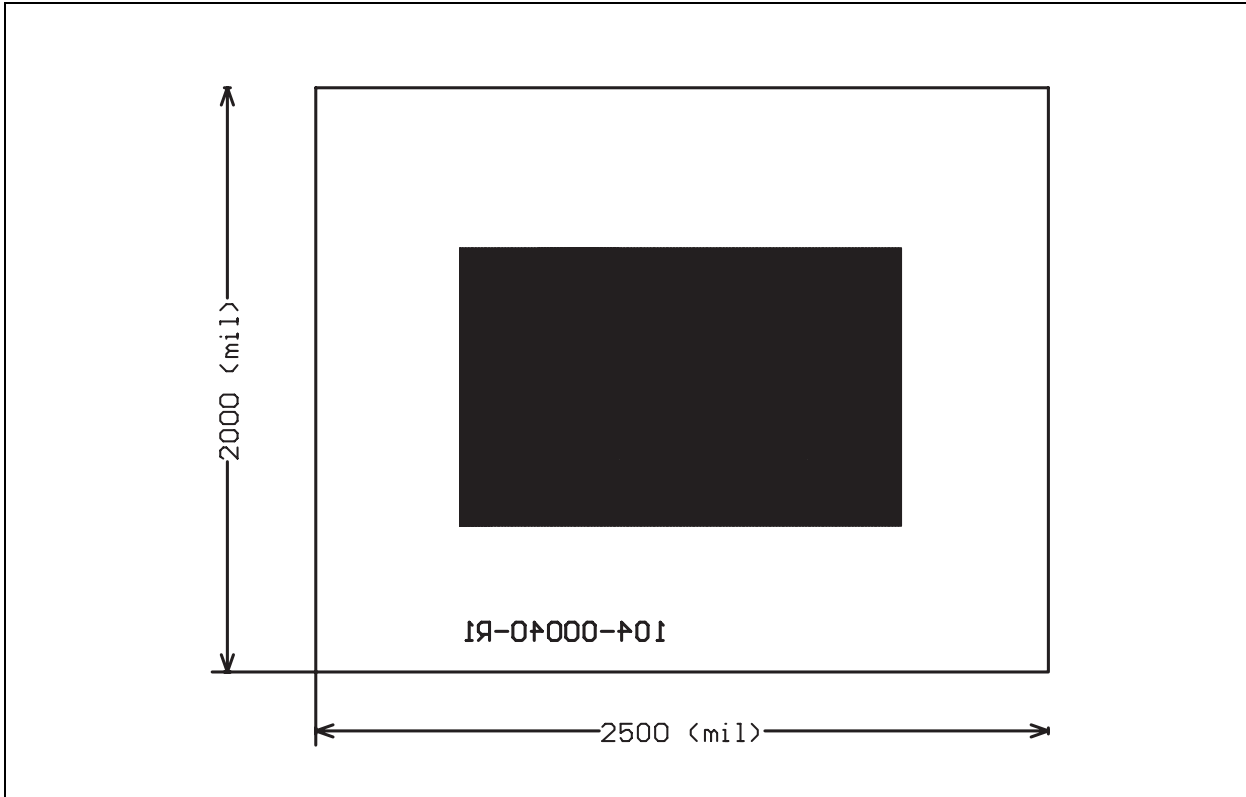


A.4 BOARD - TOP LAYER



MCP73855 Evaluation Board User's Guide

A.5 BOARD - BOTTOM LAYER



Appendix B. Bill-Of-Materials (BOM)

TABLE B-1: BILL-OF-MATERIALS (BOM)

Qty	Reference Designator	Description	Manufacturer	Part Number
2	C1, C2	4.7 uF, X5R Ceramic, 16V, 0805	Panasonic®	ECJ-2FB1C475K
1	C3	0.1 uF, X7R Ceramic, 16V, 0805	Panasonic	ECJ-2VB1C104K
1	D1	Green LED, 0805	Lumex®	SML-LXT0805GW
7	J1 - J7	Surface Mount Test Point, 5016	Keystone Electronics®	5016
0	R1, R3	Do Not Populate, 0805	—	—
1	R2	0 ohm Jumper, 0805	Panasonic	ERJ-6GEY0R00V
2	R4, R5	100 kΩ, 1/10W, Chip Resistor, 0805	Panasonic	ERJ-6ENF1003V
1	U1	USB Compatible Charge Controller, 3X3DFN10	Microchip Technology Inc.	MCP73855-I/MF



WORLDWIDE SALES AND SERVICE

AMERICAS

Corporate Office

2355 West Chandler Blvd.
Chandler, AZ 85224-6199
Tel: 480-792-7200
Fax: 480-792-7277
Technical Support:
<http://support.microchip.com>
Web Address:
www.microchip.com

Atlanta

Alpharetta, GA
Tel: 770-640-0034
Fax: 770-640-0307

Boston

Westford, MA
Tel: 978-692-3848
Fax: 978-692-3821

Chicago

Itasca, IL
Tel: 630-285-0071
Fax: 630-285-0075

Dallas

Addison, TX
Tel: 972-818-7423
Fax: 972-818-2924

Detroit

Farmington Hills, MI
Tel: 248-538-2250
Fax: 248-538-2260

Kokomo

Kokomo, IN
Tel: 765-864-8360
Fax: 765-864-8387

Los Angeles

Mission Viejo, CA
Tel: 949-462-9523
Fax: 949-462-9608

San Jose

Mountain View, CA
Tel: 650-215-1444
Fax: 650-961-0286

Toronto

Mississauga, Ontario,
Canada
Tel: 905-673-0699
Fax: 905-673-6509

ASIA/PACIFIC

Australia - Sydney

Tel: 61-2-9868-6733
Fax: 61-2-9868-6755

China - Beijing

Tel: 86-10-8528-2100
Fax: 86-10-8528-2104

China - Chengdu

Tel: 86-28-8676-6200
Fax: 86-28-8676-6599

China - Fuzhou

Tel: 86-591-8750-3506
Fax: 86-591-8750-3521

China - Hong Kong SAR

Tel: 852-2401-1200
Fax: 852-2401-3431

China - Shanghai

Tel: 86-21-5407-5533
Fax: 86-21-5407-5066

China - Shenyang

Tel: 86-24-2334-2829
Fax: 86-24-2334-2393

China - Shenzhen

Tel: 86-755-8203-2660
Fax: 86-755-8203-1760

China - Shunde

Tel: 86-757-2839-5507
Fax: 86-757-2839-5571

China - Qingdao

Tel: 86-532-502-7355
Fax: 86-532-502-7205

ASIA/PACIFIC

India - Bangalore

Tel: 91-80-2229-0061
Fax: 91-80-2229-0062

India - New Delhi

Tel: 91-11-5160-8631
Fax: 91-11-5160-8632

Japan - Kanagawa

Tel: 81-45-471- 6166
Fax: 81-45-471-6122

Korea - Seoul

Tel: 82-2-554-7200
Fax: 82-2-558-5932 or
82-2-558-5934

Singapore

Tel: 65-6334-8870
Fax: 65-6334-8850

Taiwan - Kaohsiung

Tel: 886-7-536-4818
Fax: 886-7-536-4803

Taiwan - Taipei

Tel: 886-2-2500-6610
Fax: 886-2-2508-0102

Taiwan - Hsinchu

Tel: 886-3-572-9526
Fax: 886-3-572-6459

EUROPE

Austria - Weis

Tel: 43-7242-2244-399
Fax: 43-7242-2244-393

Denmark - Ballerup

Tel: 45-4450-2828
Fax: 45-4485-2829

France - Massy

Tel: 33-1-69-53-63-20
Fax: 33-1-69-30-90-79

Germany - Ismaning

Tel: 49-89-627-144-0
Fax: 49-89-627-144-44

Italy - Milan

Tel: 39-0331-742611
Fax: 39-0331-466781

Netherlands - Drunen

Tel: 31-416-690399
Fax: 31-416-690340

England - Berkshire

Tel: 44-118-921-5869
Fax: 44-118-921-5820

Компания «Океан Электроники» предлагает заключение долгосрочных отношений при поставках импортных электронных компонентов на взаимовыгодных условиях!

Наши преимущества:

- Поставка оригинальных импортных электронных компонентов напрямую с производств Америки, Европы и Азии, а так же с крупнейших складов мира;
- Широкая линейка поставок активных и пассивных импортных электронных компонентов (более 30 млн. наименований);
- Поставка сложных, дефицитных, либо снятых с производства позиций;
- Оперативные сроки поставки под заказ (от 5 рабочих дней);
- Экспресс доставка в любую точку России;
- Помощь Конструкторского Отдела и консультации квалифицированных инженеров;
- Техническая поддержка проекта, помощь в подборе аналогов, поставка прототипов;
- Поставка электронных компонентов под контролем ВП;
- Система менеджмента качества сертифицирована по Международному стандарту ISO 9001;
- При необходимости вся продукция военного и аэрокосмического назначения проходит испытания и сертификацию в лаборатории (по согласованию с заказчиком);
- Поставка специализированных компонентов военного и аэрокосмического уровня качества (Xilinx, Altera, Analog Devices, Intersil, Interpoint, Microsemi, Actel, Aeroflex, Peregrine, VPT, Syfer, Eurofarad, Texas Instruments, MS Kennedy, Miteq, Cobham, E2V, MA-COM, Hittite, Mini-Circuits, General Dynamics и др.);

Компания «Океан Электроники» является официальным дистрибьютором и эксклюзивным представителем в России одного из крупнейших производителей разъемов военного и аэрокосмического назначения «JONHON», а так же официальным дистрибьютором и эксклюзивным представителем в России производителя высокотехнологичных и надежных решений для передачи СВЧ сигналов «FORSTAR».



JONHON

«JONHON» (основан в 1970 г.)

Разъемы специального, военного и аэрокосмического назначения:

(Применяются в военной, авиационной, аэрокосмической, морской, железнодорожной, горно- и нефтедобывающей отраслях промышленности)

«FORSTAR» (основан в 1998 г.)

ВЧ соединители, коаксиальные кабели, кабельные сборки и микроволновые компоненты:

(Применяются в телекоммуникациях гражданского и специального назначения, в средствах связи, РЛС, а так же военной, авиационной и аэрокосмической отраслях промышленности).



Телефон: 8 (812) 309-75-97 (многоканальный)

Факс: 8 (812) 320-03-32

Электронная почта: ocean@oceanchips.ru

Web: <http://oceanchips.ru/>

Адрес: 198099, г. Санкт-Петербург, ул. Калинина, д. 2, корп. 4, лит. А