



# Specification

## LR530

| SSC   |          | CUSTOMER |
|-------|----------|----------|
| Drawn | Approval | Approval |
|       |          |          |

# CONTENTS

1. Full code of Lamp LED series
2. Feature & Application
3. Absolute Maximum Ratings
4. Electro Characteristics
5. Outline Dimension
6. Optical characteristics
7. Rank of LR530
8. Standard of Taping Empty Space
9. Packing
10. Soldering
11. Precaution for use
12. Reliability Test Item and Condition

## 1. Full Code of Lamp LED Series

Full code form : X<sub>1</sub> X<sub>2</sub> X<sub>3</sub> X<sub>4</sub> X<sub>5</sub> X<sub>6</sub> X<sub>7</sub>X<sub>8</sub> X<sub>9</sub> - X<sub>10</sub>X<sub>11</sub>

### 1. Part Number

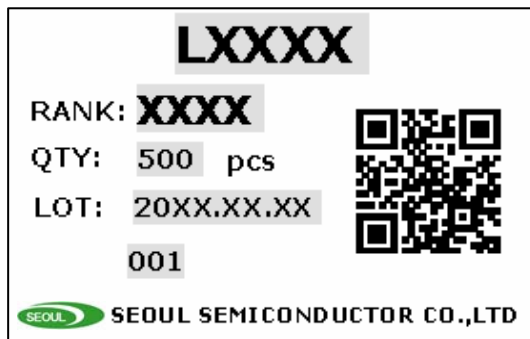
- X<sub>1</sub> : Model
- X<sub>2</sub> : Number of Die \*1
- X<sub>3</sub> : Color
- X<sub>4</sub> : Lens Shape
- X<sub>5</sub> : Directivity
- X<sub>6</sub> : Revision Symbol
- X<sub>7</sub> : High Reliability \*2
- X<sub>8</sub> : Surface coloring & Diffusion \*3
- X<sub>9</sub> : Stopper \*4

\*1, 2, 3, 4 are added to the Product Type only in necessary cases.

### 2. Internal Number

- X<sub>10</sub>
- X<sub>11</sub>

### 3. Sticker Diagram on Box & Aluminum Vinyl Bag



For more information about binning and labeling, refer to the Application Note -1

# LR530

## Description

Lamp LEDs are effective in hot thermal and humid condition. This high brightness and weather-resistant packaging design makes these Lamp LEDs ideal for Outdoor applications such as traffic signals, variable message signs and backlighting for transparent sign panels.



# LR530

## Features

- High luminous red emission
- Non-standoff leads
- 5mm package
- Transparent epoxy lens
- Viewing angle : 30 °
- Dominant Wavelength : 625nm

## Applications

- Electronic signs and signals
- Specialty lighting
- Small area illumination
- Torches and head lamps
- Backlighting
- Outdoor displays

### 3. Absolute maximum ratings

| Parameter                  | Symbol        | Value                             | Unit |
|----------------------------|---------------|-----------------------------------|------|
| DC Forward Current         | $I_F$         | 30                                | mA   |
| Forward Peak Pulse Current | $I_{FP}^{*1}$ | 100                               | mA   |
| Reverse Voltage            | $V_R$         | 5                                 | V    |
| Power Dissipation          | $P_D$         | 78                                | mW   |
| Operating Temperature      | $T_{opr}$     | -40 ~ 100                         | °C   |
| Storage Temperature        | $T_{stg}$     | -50 ~ 105                         | °C   |
| Solder Temperature         | $T_s$         | 260°C for 10seconds <sup>*2</sup> | °C   |

\*1  $t \leq 0.1\text{ms}$ ,  $D = 1/10$

\*2 No lower than 3mm from the base of the epoxy bulb.

### 4. Electric & Optical characteristics

| Parameter                         | Symbol          | Condition  | Min  | Typ  | Max | Unit    |
|-----------------------------------|-----------------|------------|------|------|-----|---------|
| Luminous Intensity <sup>*3</sup>  | $I_V$           | If=20mA    | 3000 | 6500 |     | mcd     |
| Luminous Flux                     | $\Phi_V$        | If=20mA    | -    | 2.0  | -   | lm      |
| Dominant Wavelength <sup>*4</sup> | $\lambda_d$     | If=20mA    | 619  | 625  | 631 | nm      |
| Forward Voltage <sup>*5</sup>     | $V_F$           | If=20mA    | -    | 2.2  | 2.6 | V       |
| View Angle                        | $2\theta_{1/2}$ | If=20mA    | 30   |      |     | Deg.    |
| Optical Efficiency                | $\eta_{elc}$    | If=20mA    | -    | 45   | -   | lm/W    |
| Reverse Current                   | $I_R$           | $V_R = 5V$ | -    | -    | 5   | $\mu A$ |

\*3. SSC maintains a tolerance of  $\pm 10\%$  on intensity and power measurements.

\*4. Dominant wavelength is derived from the CIE 1931 Chromaticity diagram.

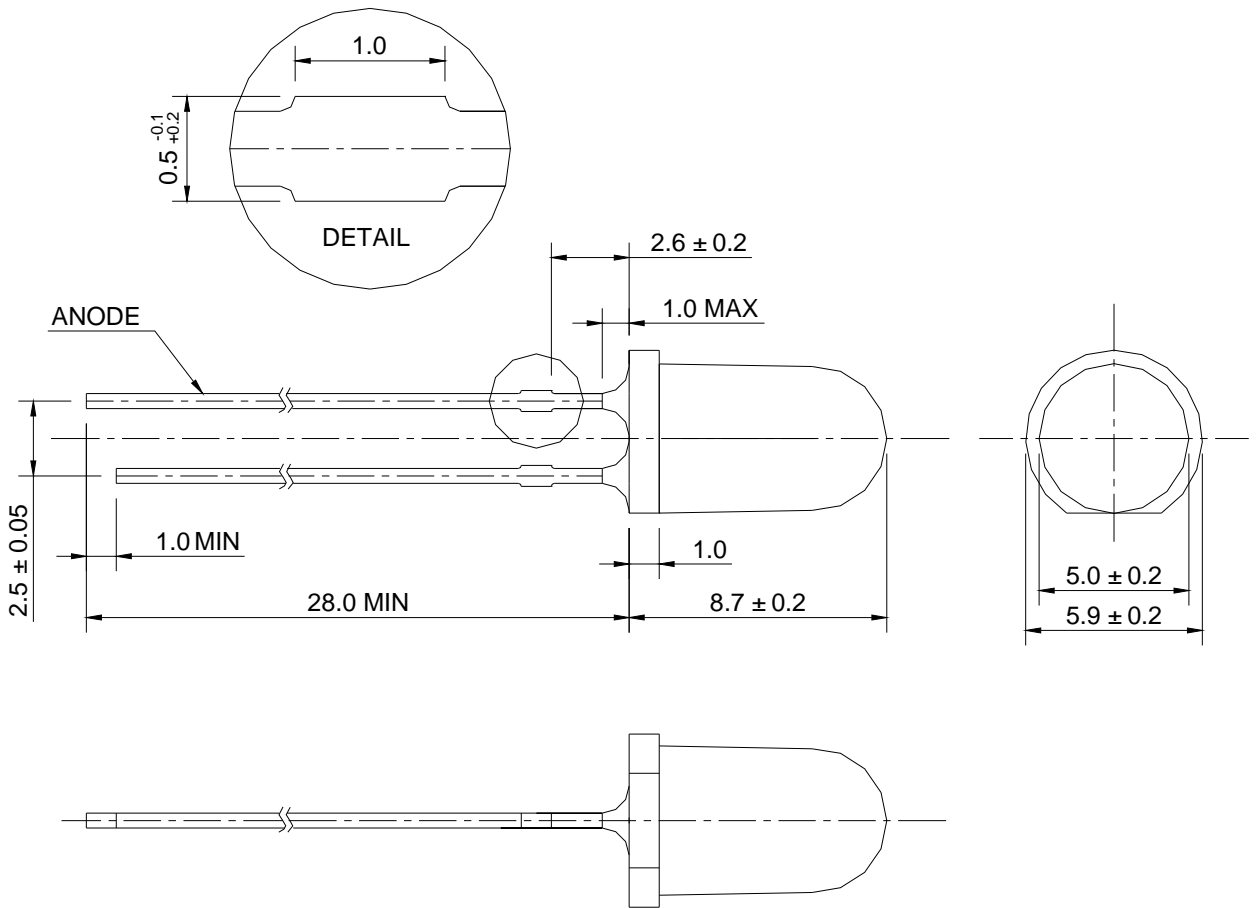
A tolerance of  $\pm 0.5\text{nm}$  for dominant wavelength.

\*5. A tolerance of  $\pm 0.05V$  on forward voltage measurements

[Note] All measurements were made under the standardized environment of SSC.

### 5. Outline Dimension

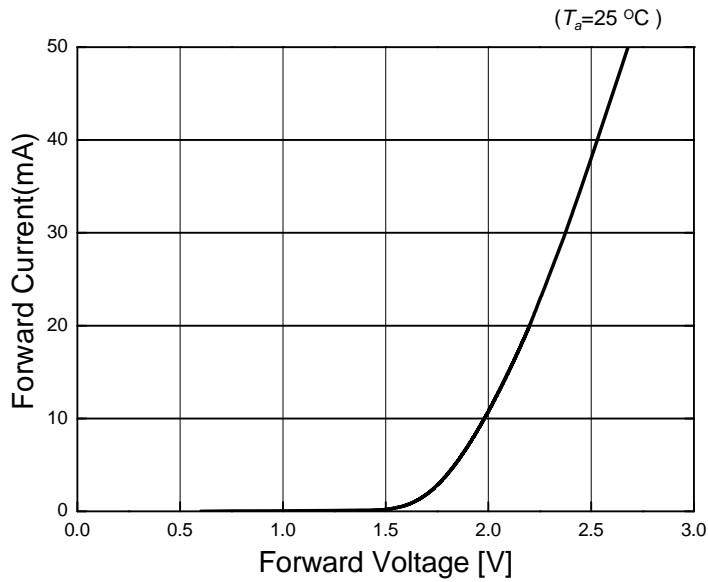
Unit : mm



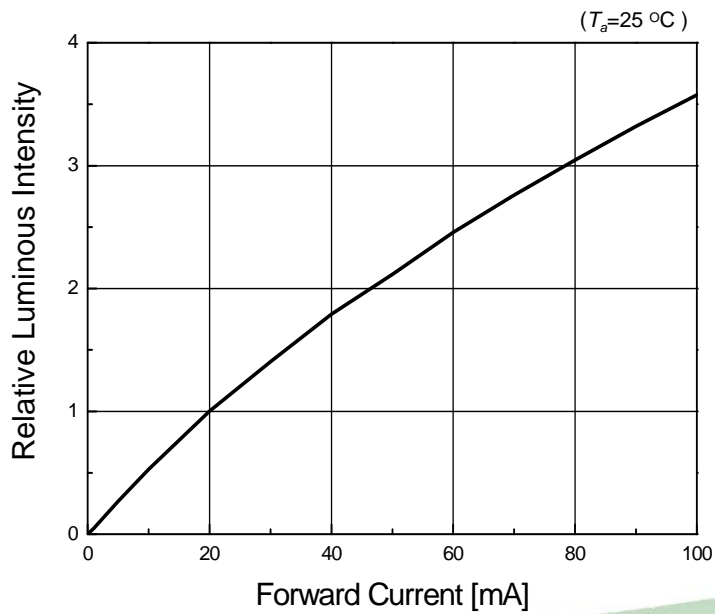
Notes : Protruded epoxy is 1.0mm maximum.

## 6. Optical characteristics

**Forward Current vs. Forward Voltage**

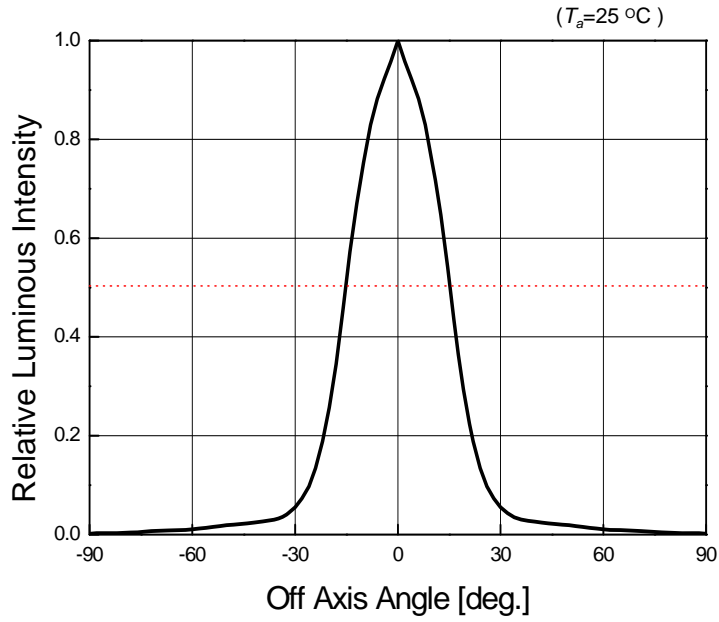


**Relative Luminous Intensity vs Forward Current**

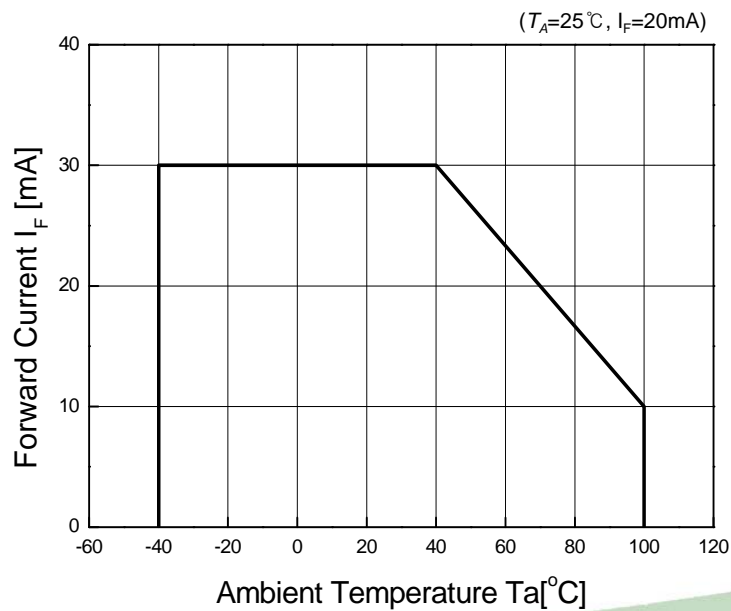


## 6. Optical characteristics

**Radiation Diagram**



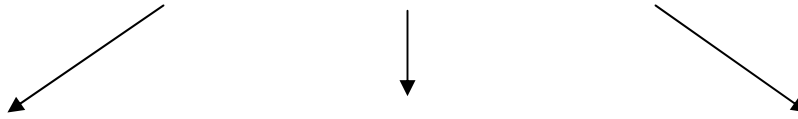
**Ambient Temperature vs. Maximum Forward Current**





### 7. Rank of LR530

| Bin Code        |                     |                    |
|-----------------|---------------------|--------------------|
| Forward Voltage | Dominant Wavelength | Luminous Intensity |
| B               | -                   | 3                  |



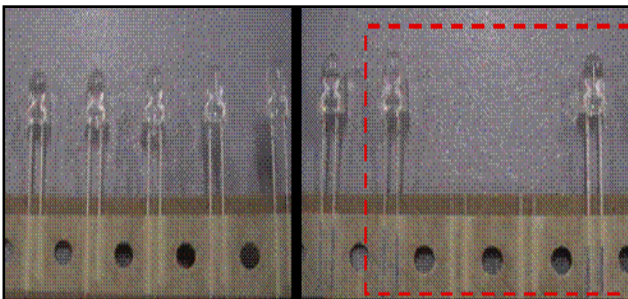
| Forward Voltage (V)<br>@ $I_F = 20\text{mA}$ |      |      |
|--|------|------|
| Bin Code                                     | Min. | Max. |
| A  | 1.9  | 2.0  |
| B  | 2.0  | 2.1  |
| C  | 2.1  | 2.2  |
| D  | 2.2  | 2.3  |
| E  | 2.3  | 2.4  |
| F  | 2.4  | 2.5  |
| G  | 2.5  | 2.6  |

| Dominant Wavelength (nm)<br>@ $I_F = 20\text{mA}$ |      |      |
|---|------|------|
| Bin Code  | Min. | Max. |
|   | 619  | 631  |

| Luminous Intensity (mcd)<br>@ $I_F = 20\text{mA}$ |      |       |
|---|------|-------|
| Bin Code  | Min. | Max.  |
| 1   | 3000 | 4000  |
| 2   | 4000 | 4500  |
| 3   | 4500 | 5500  |
| 4   | 5500 | 7000  |
| 5   | 7000 | 10000 |

Available ranks

### 8. Standard of Taping Empty Space



Before

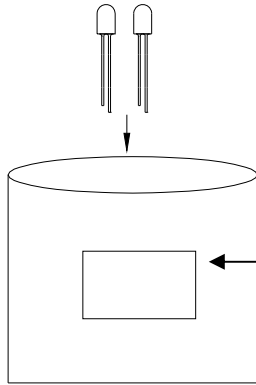
After

Available Empty Space : 2ea



- \* Purpose : Prevention of being Mixed & Reverse mounting
- ※ Before : Insert the right PKG after removing defective product
- ※ After : Attaching the right PKG on the backside after removing defective product

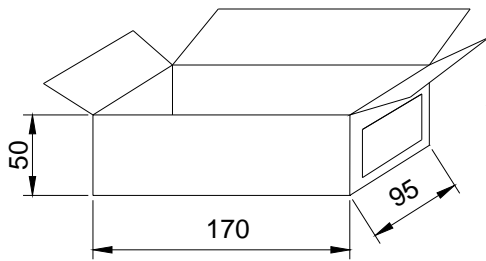
### 9. Packing

Unit : mm

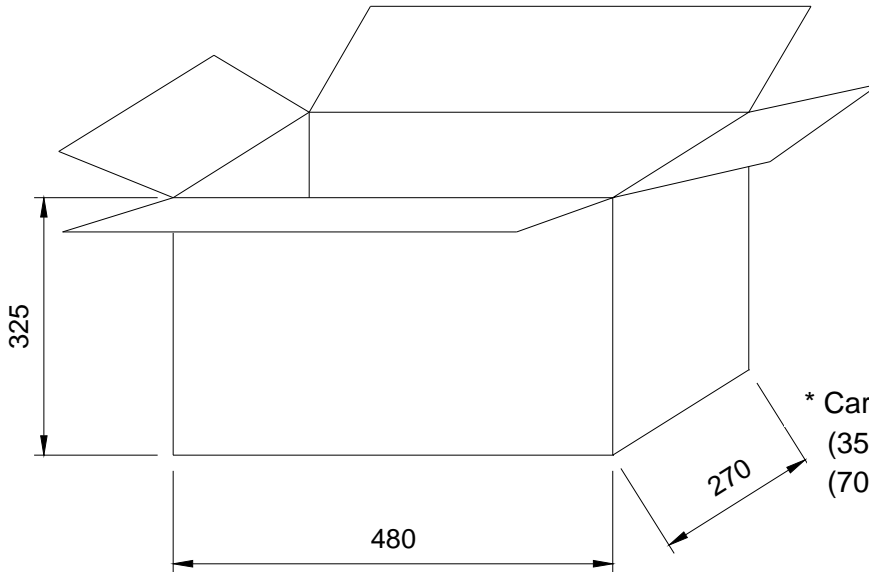


\* Antistatic poly bag  
(500pcs max/bag)

|  |             |
|--|-------------|
| <b>LXXXX</b>   |             |
| RANK:  | <b>XXXX</b> |
| QTY:   | 500 pcs     |
| LOT:   | 20XX.XX.XX  |
|  | 001         |
|                             |             |
|  SEOUL SEMICONDUCTOR CO.,LTD |             |

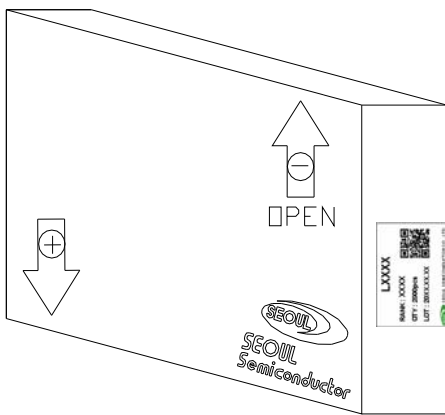
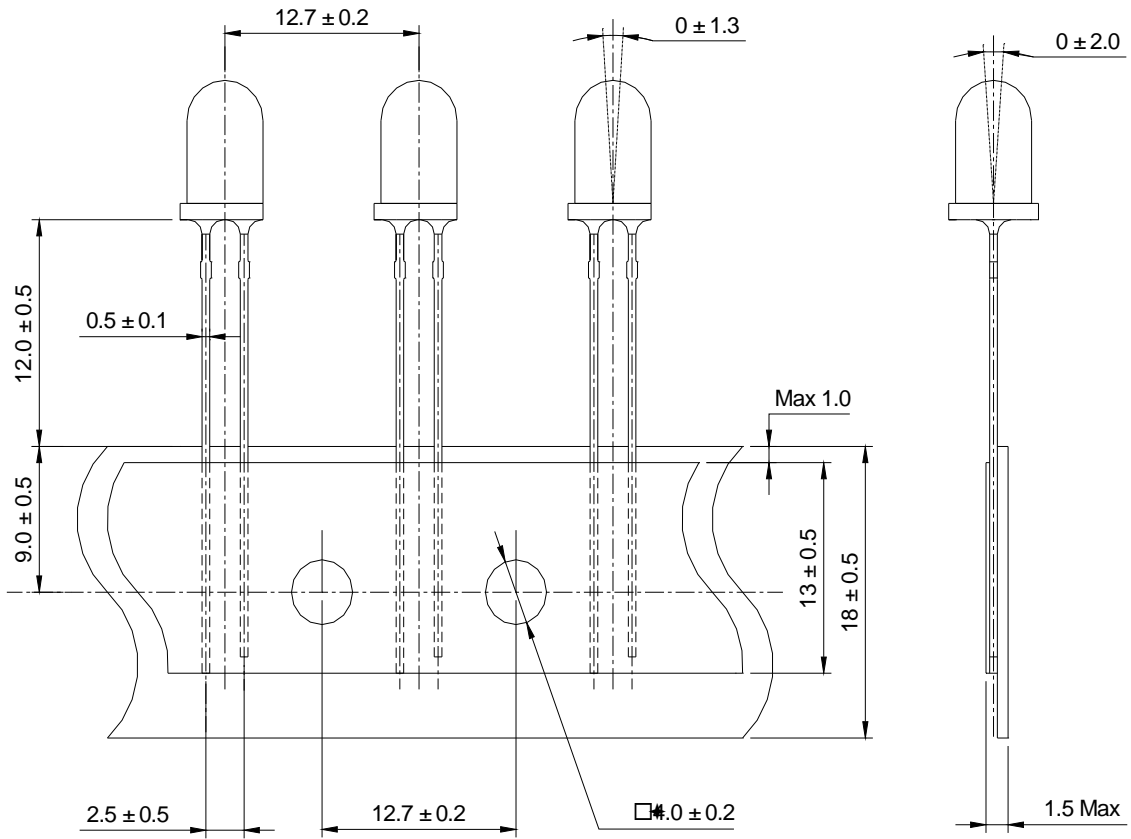


Inner box  
(1bag max/box)



\* Cardboard box  
(35000pcs max/box)  
(70boxes max/box)

Unit : mm



**LXXXX**

**RANK : XXXX**

**QTY : 2000pcs**

**LOT : 20XX.XX.XX**



**SEOUL SEMICONDUCTOR CO., LTD**

1 Box contain quantity.

\* 3φ Series : 3000pcs/box

\* 5φ Series : 2000pcs/box

Rev. 08

December 2010

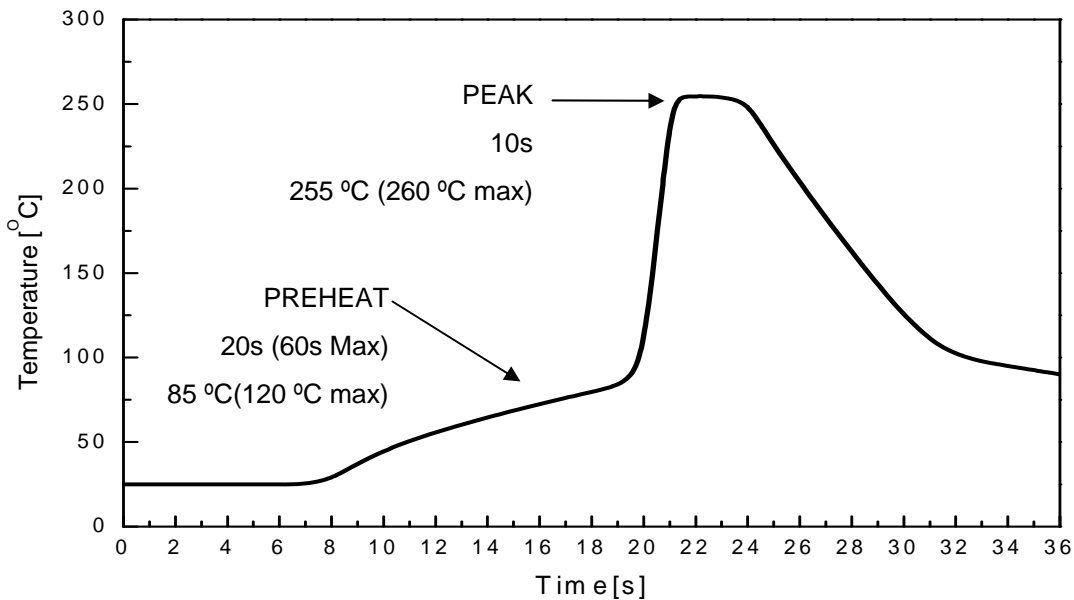
[www.seoulsemicon.com](http://www.seoulsemicon.com)

Document No. : SSC-QP-7-07-24 (Rev.00)

## 10. Soldering

### 1) Wave Soldering Conditions / Profile

- Preliminary heating to be at 85°C(120 °C max) for 20 seconds(60 seconds max).
- Soldering heat to be at 255 °C (260°C max) for 10 seconds
- Soak time above 200 °C is 5 seconds



### 2) Hand Soldering conditions

- Not more than 3 seconds at max. 350°C, under Soldering iron.

### 3) Caution

- The LEDs must not be repositioned after soldering.
- Do not apply any stress to the lead particularly when heat.

Note : In case the soldered products are reused in soldering process, we don't guarantee the products.

Rev. 08

December 2010

[www.seoulsemicon.com](http://www.seoulsemicon.com)

Document No. : SSC-QP-7-07-24 (Rev.00)

## 11. Precaution for use

### 1) Storage

- Before opening the package
  - a. Avoid the absorption of moisture, we recommended to store the LEDs in a dry box(or desiccator) with a desiccant . Otherwise, store them in the following environment:  
Temperature : 5°C~30°C Humidity : 50% max.
  - b. The products should be used in 3 months. It is recommended that the LEDs be used as soon as possible.
- After opening the package
  - a. Soldering should be done right after opening the package(within 24Hrs).
  - b. Keeping of a fraction
    - Sealing
    - Temperature : 5 ~ 40°C, Humidity : less than 30%
  - c. If the package has been opened more than 1week or the color of desiccant changes, Components should be dried for 10-12hr at 60±5°C
- Any mechanical force or any excess vibration shall not be accepted to apply during cooling process to normal temp. after soldering.
- Avoid quick cooling
- Lead frames are silver plated SPCC. The silver plate surface may be affected by environments which contains corrosive substances. Please avoid conditions which may cause the LEDs to corrode, tarnish or discolor.

### 2) Lead Forming

- When the lead forming is required before soldering , care must be taken to avoid any bending and mechanical stress. The stress to the base may damage the LEDs.
- When mounting the LEDs onto a PCB, the holes on the circuit board should be exactly aligned with the leads of the LEDs.
- It is recommended that tooling made to precisely form and cut the leads to length rather than rely on hand operating.

### 3) Static Electricity

- Static Electricity and surge voltage damage the LEDs. So it is recommended that a wrist band or an anti-electrostatic glove be used when handling the LEDs.
- All devices, equipment and machinery must be grounded properly. It is recommended that precautions should be taken against surge voltage to the equipment that mounts the LEDs.

### 4) Heat Generation

- Thermal is one of the important parameters to design the end product. Please consider the heat generation of the LEDs.
- The operating current should be decided after considering the ambient maximum temperature of LEDs.

### 5) Others

- The color of the LEDs is changed slightly an operating current and thermal.
- Anti radioactive ray design is not considered for the products listed here.
- Gallium arsenide is used in some of the products listed in this publication. These products are dangerous if they are burned or smashed in the process of disposal. It is also dangerous to drink the liquid or inhale the gas generated by such products when chemically disposed.
- This device should not be used in any type of fluid such as water, oil, organic solvent and etc. When washing is required, IPA(Isopropyl Alcohol) should be used.
- When the LEDs are illuminating, operating current should be decided after considering the junction temperature.

Cf.) Please refer *Ambient temperature vs. Forward Current* graph on page 5

- The appearance and specifications of the product may be modified for improvement without notice.

## 12. Reliability Test Item and Condition

| Item                           | Condition   | Note       | Failures |
|--------------------------------|---|------------|----------|
| Life Test                      | $T_a = RT, I_F = 30mA$  | 1000hrs    | 0/22     |
| High Temperature Operating     | $T_a = 100^{\circ}C, I_F = 10mA$  | 1000hrs    | 0/22     |
| Low Temperature Operating      | $T_a = -40^{\circ}C, I_F = 20mA$  | 1000hrs    | 0/22     |
| Thermal Shock                  | $T_a = -50^{\circ}C$ (30min) ~ $105^{\circ}$ (30min)<br>(Transfer time : 10sec, 1Cycle = 1hr) | 100 cycles | 0/40     |
| Resistance to soldering Heat   | $T_s = 255 \pm 5^{\circ}C, t = 10sec$   | 1 time     | 0/22     |
| ESD<br>(Human Body Model)      | 1kV, 1.5k $\Omega$ ; 100pF  | 1 time     | 0/22     |
| High Temperature Storage       | $T_a = 105^{\circ}C$  | 1000hrs    | 0/22     |
| Low Temperature Storage        | $T_a = -50^{\circ}C$  | 1000hrs    | 0/22     |
| Temperature Humidity Storage   | $T_a = 85^{\circ}C, RH = 85\%$  | 1000hrs    | 0/22     |
| Temperature Humidity Operating | $T_a = 85^{\circ}C, RH = 85\%, I_F = 15mA$  | 100hrs     | 0/22     |

### < Judging Criteria For Reliability Tests >

|          |                          |
|----------|--------------------------|
| $V_F$    | USL <sup>[1]</sup> X 1.2 |
| $I_R$    | USL X 2.0                |
| $\Phi_V$ | LSL <sup>[2]</sup> X 0.7 |

Notes :

[1] USL : Upper Standard Level

[2] LSL : Lower Standard Level.

Компания «Океан Электроники» предлагает заключение долгосрочных отношений при поставках импортных электронных компонентов на взаимовыгодных условиях!

Наши преимущества:

- Поставка оригинальных импортных электронных компонентов напрямую с производств Америки, Европы и Азии, а так же с крупнейших складов мира;
- Широкая линейка поставок активных и пассивных импортных электронных компонентов (более 30 млн. наименований);
- Поставка сложных, дефицитных, либо снятых с производства позиций;
- Оперативные сроки поставки под заказ (от 5 рабочих дней);
- Экспресс доставка в любую точку России;
- Помощь Конструкторского Отдела и консультации квалифицированных инженеров;
- Техническая поддержка проекта, помощь в подборе аналогов, поставка прототипов;
- Поставка электронных компонентов под контролем ВП;
- Система менеджмента качества сертифицирована по Международному стандарту ISO 9001;
- При необходимости вся продукция военного и аэрокосмического назначения проходит испытания и сертификацию в лаборатории (по согласованию с заказчиком);
- Поставка специализированных компонентов военного и аэрокосмического уровня качества (Xilinx, Altera, Analog Devices, Intersil, Interpoint, Microsemi, Actel, Aeroflex, Peregrine, VPT, Syfer, Eurofarad, Texas Instruments, MS Kennedy, Miteq, Cobham, E2V, MA-COM, Hittite, Mini-Circuits, General Dynamics и др.);

Компания «Океан Электроники» является официальным дистрибьютором и эксклюзивным представителем в России одного из крупнейших производителей разъемов военного и аэрокосмического назначения «JONHON», а так же официальным дистрибьютором и эксклюзивным представителем в России производителя высокотехнологичных и надежных решений для передачи СВЧ сигналов «FORSTAR».



## JONHON

«JONHON» (основан в 1970 г.)

Разъемы специального, военного и аэрокосмического назначения:

(Применяются в военной, авиационной, аэрокосмической, морской, железнодорожной, горно- и нефтедобывающей отраслях промышленности)

«FORSTAR» (основан в 1998 г.)

ВЧ соединители, коаксиальные кабели,  
кабельные сборки и микроволновые компоненты:

(Применяются в телекоммуникациях гражданского и специального назначения, в средствах связи, РЛС, а так же военной, авиационной и аэрокосмической отраслях промышленности).



Телефон: 8 (812) 309-75-97 (многоканальный)

Факс: 8 (812) 320-03-32

Электронная почта: [ocean@oceanchips.ru](mailto:ocean@oceanchips.ru)

Web: <http://oceanchips.ru/>

Адрес: 198099, г. Санкт-Петербург, ул. Калинина, д. 2, корп. 4, лит. А