

Shielded Circular Subminiature Connectors (TRIAD™ 01) Product Line Information

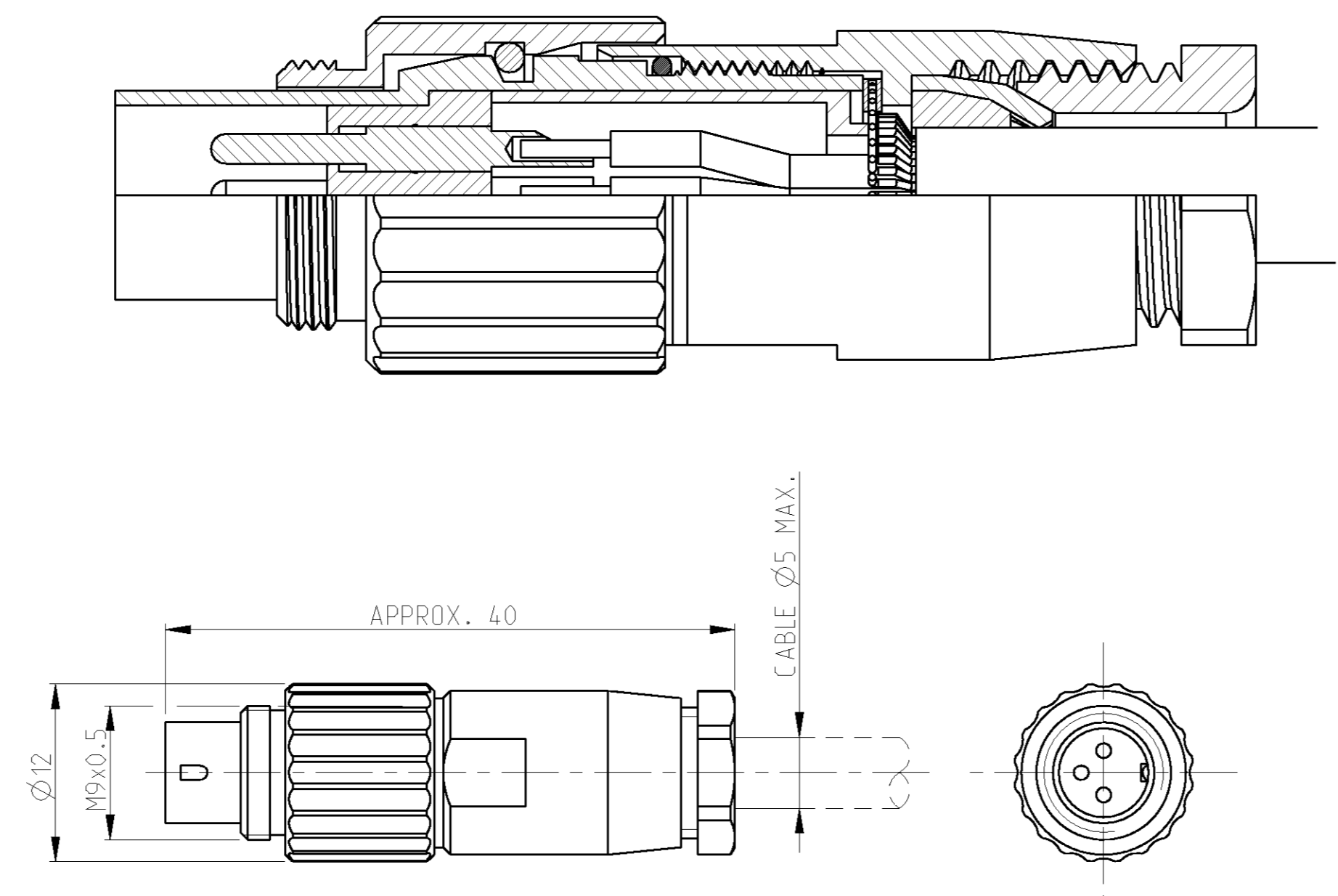
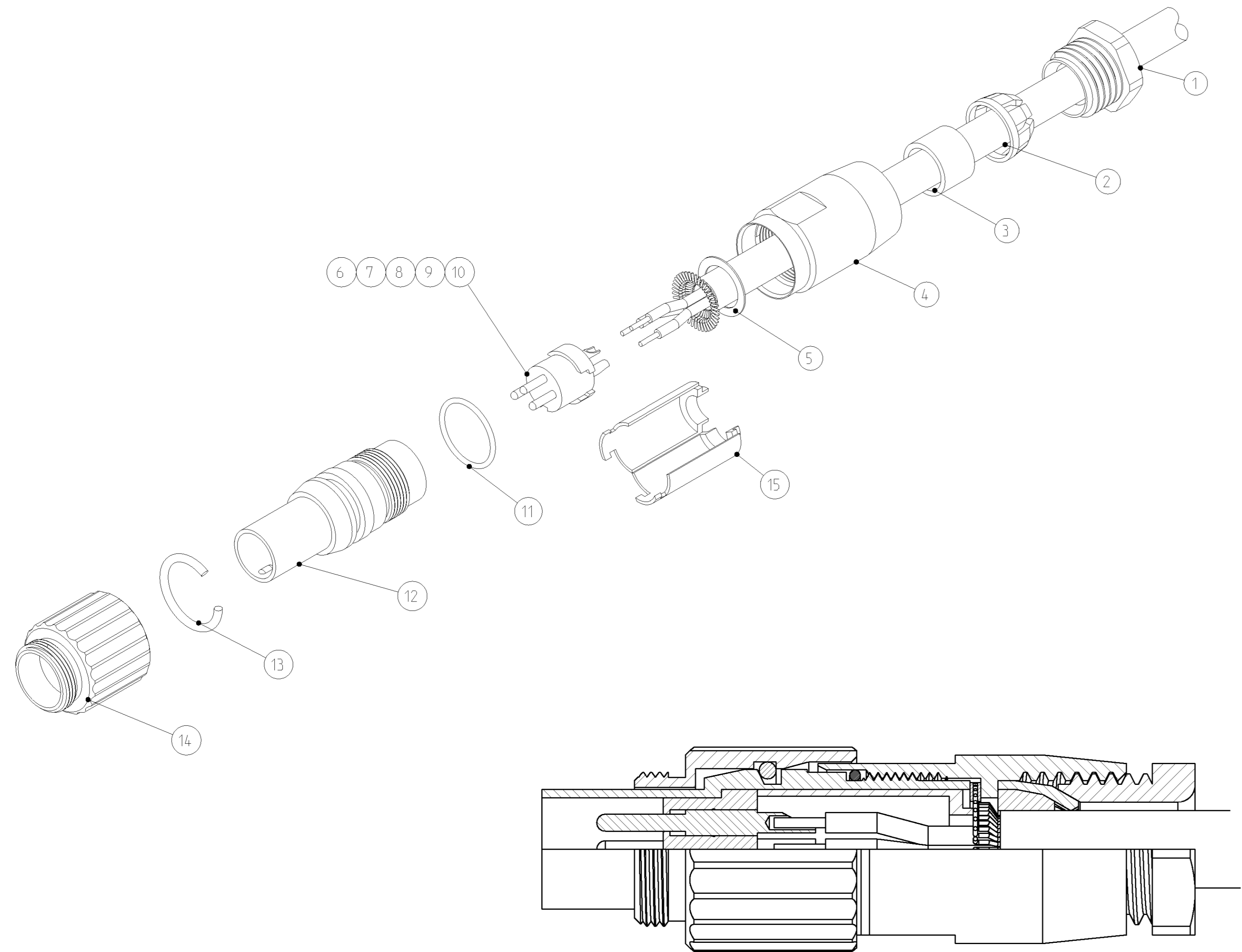
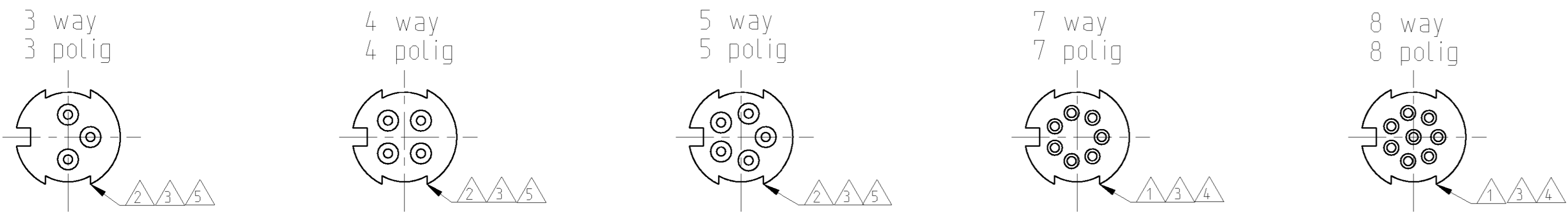
TRIAD™01 Shielded Subminiature Circular Connectors



Product Facts

- Small and lightweight, shielded round connector system
 - Panel mount PCB versions - 180° and 90°
 - Panel mount - Solder Cup - 180° versions
 - Field serviceable male and female connectors--crimp and solder version--for on site connections
 - Single and double ended overmoulded cable leads are available
 - Customized assemblies are possible to make upon request
 - Components for BUS applications available
-

SOLDERING SIDE
LOETSEITE



LOC	DIST	REV	DATE	BY	APPV
A1	-	A1	18JUN2001	NG	GF
		B1	23-FEB-04	EW	GF

MATERIAL / MATERIAL: PBT, UL-94 V2 SHELL MATERIAL / GEHAEUSEMATERIAL: CUZN FINISH / BESCHICHTUNG: TRIBOR 4 µm	△6
WIRE GAGE / DRAHTGROESSE IN mm ² : 0.25	△5
WIRE GAGE / DRAHTGROESSE IN mm ² : 0.14	△4
CONTACT RESISTANCE / KONTAKTWIDERSTAND: => 5 mΩ	△3
RATED CURRENT PER CONTACT / NENNSTROM PRO KONTAKT: 3 A	△2
RATED CURRENT PER CONTACT / NENNSTROM PRO KONTAKT: 1 A	△1
SHELL PROTECTION CLASS / SCHUTZKLASSE: IP 65 / DIN 40050	
TERMINATION: SOLDERING / VERBINDUNG: LOETKONTAKTE	
TEST VOLTAGE / PRUEFSPANNUNG: 500 VAC	
OPERATING VOLTAGE / BETRIEBSSPANNUNG: 60 VAC	
OPERATING TEMPERATURE: -40°C TO +80°C / ARBEITSTEMPERATUR: -40°C BIS +80°C	
MATING CYCLES / STECKZYKLEN: 500 MAX.	
TECHNICAL DATA TECHNISCHE DATEN	

TYCO NO. / TYCO-NR.	QTY REQD PER ASSY	DESCRIPTION BESCHREIBUNG	ITEM NO. POS.-NR.
2-1437719-7	1	MOUNTING WRENCH / MONTAGESCHLUESSEL	18
2-1437719-4	1	COMPLETELY IN MINI-GRIP / KOMPLETT IN MINI-GRIP: 70x100mm	17
2-1437719-1	1	MOUNTING INSTRUCTION / MONTAGEANLEITUNG	16
1-1437719-8	1	INSULATION TUBE / ISOLIERHUELSE	15
1-1437719-5	1	SCREWING TUBE / SCHRAUBHUELSE	14
	1	SPRING / FEDER	13
	1	TUBE / INNENHUELSE	12
	1	O-RING / O-RING	11
	1	CONTACT CARRIER 8 WAY / STIFTSTECKER 8 POLIG	10
	1	CONTACT CARRIER 7 WAY / STIFTSTECKER 7 POLIG	9
	1	CONTACT CARRIER 5 WAY / STIFTSTECKER 5 POLIG	8
	1	CONTACT CARRIER 4 WAY / STIFTSTECKER 4 POLIG	7
	1	CONTACT CARRIER 3 WAY / STIFTSTECKER 3 POLIG	6
	1	GROUNDING PLATE FOR 360° SHIELDING CONNECTION/ MASSESCHIEBE FUER 360° ABSCHIRMUNG	5
	1	HOUSING / GEHAEUSE	4
	1	CABLE SEALING / KABELDICHTUNG	3
	1	STRAIN RELIEF / ZUGENTLASTUNGSKRONE	2
	1	STRAIN RELIEF NUT / ZUGENTLASTUNGSMUTTER	1
	-	REVISION OF EACH ASSY NO. (WHEN BLANK, USE DWG REV.)	
		PARTS LIST TEILELISTE	

<p>THIS DRAWING IS UNCLASSIFIED AND RELEASED FOR PUBLICATION 10-JUL-2001 BY TICO ELECTRONICS CORPORATION. ALL RIGHTS RESERVED. DATE WITH REVISION NO.</p> <p>1-1437719-5 AS SHOWN WIE GEZEICHNET</p>	<p>TYCO ELECTRONICS CORPORATION</p> <p>18 JUN 2001</p> <p>H. SCHERER</p> <p>18 JUN 2001</p> <p>FELDMEIER</p>	<p>tyco Electronics AMP GmbH</p> <p>D-64625 Bensheim</p> <p>NAME: T01 MALE PLUG CONNECTOR SOLDER VERSION 3-8 POS. T01 STIFTSTECKER LOETVERSION 3-8 POL.</p> <p>SIZE: 00779</p> <p>DRAWING NO: 1-1437719-5</p> <p>RESTRICTED TO MR PER</p>
--	--	---

Description

Where shielding is a requirement in medical or industrial applications there will be the use of TRIAD™01 a good decision. The small and lightweight system is available as panel mount headers with solid posts 180° and 90° for soldering on PC boards and also with solder cups for wire termination.

The PCB version has two board locks and the solder cup version has two solder tabs for grounding.

Through the three O-ring design on the panel mount connectors and in connection with the over-moulded cable assemblies, TRIAD™01 is a liquid and dust tight system according to IP65 protection class (DIN 40050). The reasonable shielding, the small diameters, the over-moulded connector with cable and the use of metallic parts makes TRIAD™01 also useable in harsh environments such as a factory where TRIAD™01 can be used in BUS applications such as CAN or MODULAR too.

Components such as T-Adapters and terminator plugs with a resistor are also available in different colors upon request (e.g. yellow and purple).

Specifications

Shell Protection Class (nested condition): IP65 acc. DIN 40050

Temperature Range: -40°C to +85°C

Mating Cycles: ≤500

Test Voltage: 625 V AC

Operating Voltage: 60 V AC

Contact Resistance: < 6 m ohm

Interlock: Screw Type

TRIAD™ 01

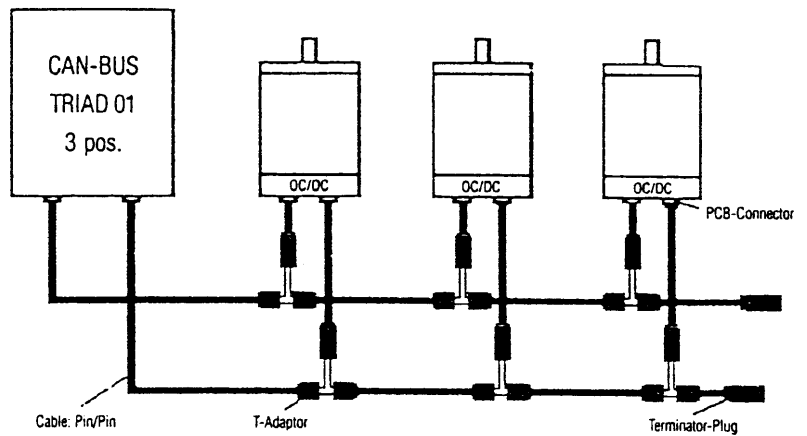
130-722 TO 131-090

TRIAD 01 is a subminiature circular connector system which can be used for applications where shielding is a requirement. Beside the excellent shielding properties of TRIAD01 there is also a good resistance against UV beams because of the OPTALOY® plating for all metal shell parts. TRIAD01 is a liquid- and dust-tight system according to IP65 protection-class (DIN 40050).

4

A 3xO-ring design of the TRIAD01 panel-mount-connectors is ideal for using the TRIAD01 system in smoke-analysis applications. Special T-adaptors with either a TRIAD01 connector or a SUB-D connector as Interface-Plug are offering the usage of TRIAD01 for BUS wiring like for a CAN- or for a MOD-BUS. Both systems consist of 3 items:

- 1 The T-Adaptor
- 2 The "Trunk"-Cable – an overmoulded cable with 2 male connectors
- 3 Terminator-Plug



131-027 to 090

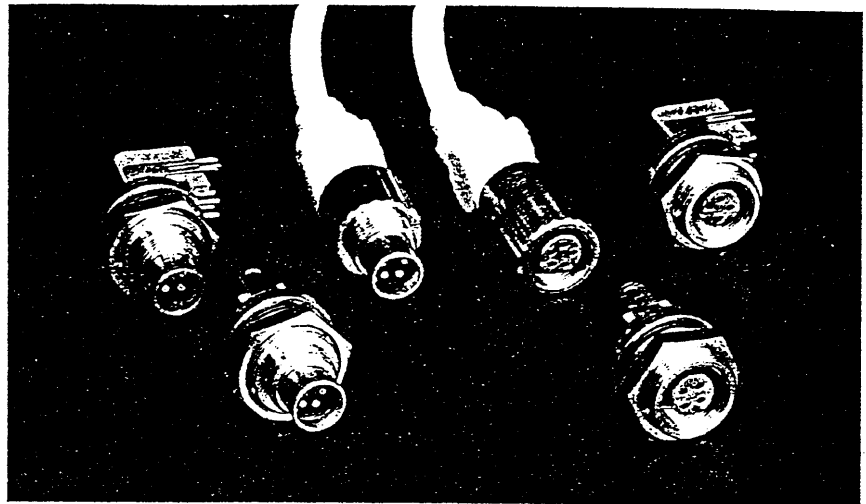
930
941

TRIAD™ 01

Shielded Subminiature

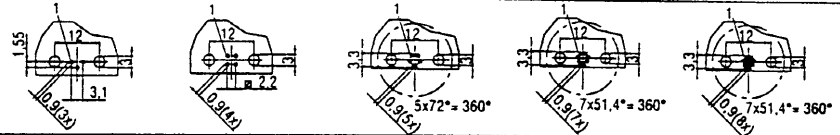
Circular Connectors

Panel Mount Version

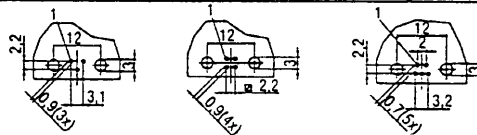


PCB layout for max. 1.6 mm thickness
(only for PCB pinversions)

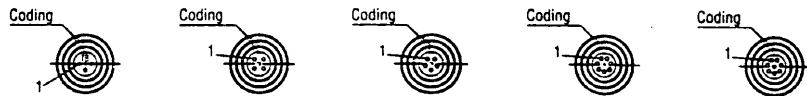
180°



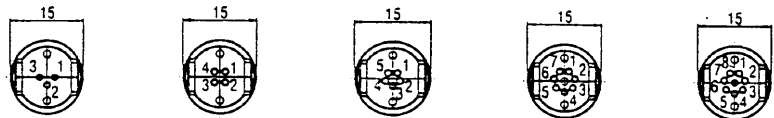
90°



Arrangement of Contacts/Mating side pinversion.



Arrangement of Contacts/
Termination side pinversion.
(For sockets, arrangement is mirror image of pin version)



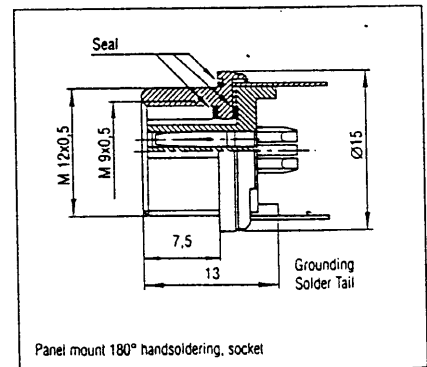
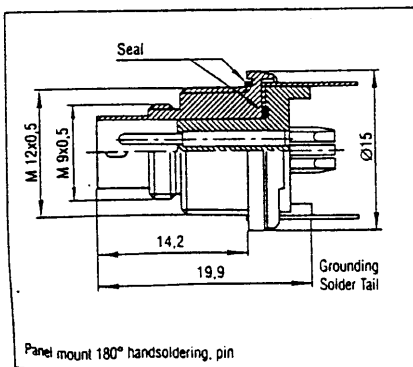
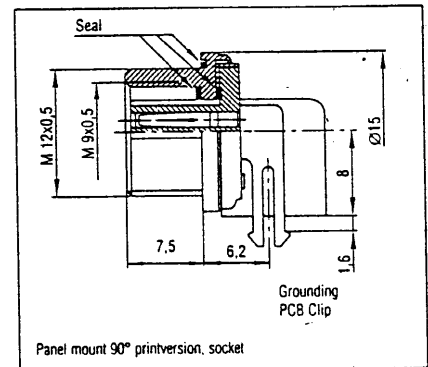
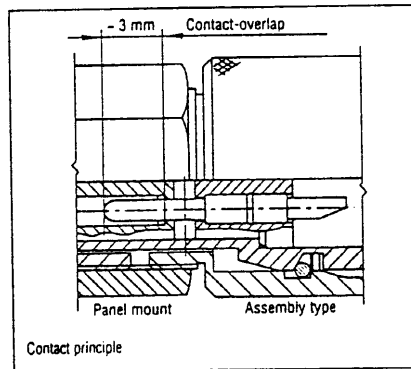
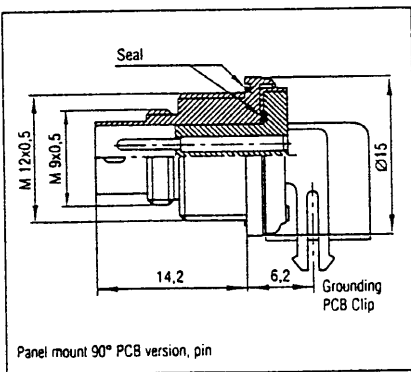
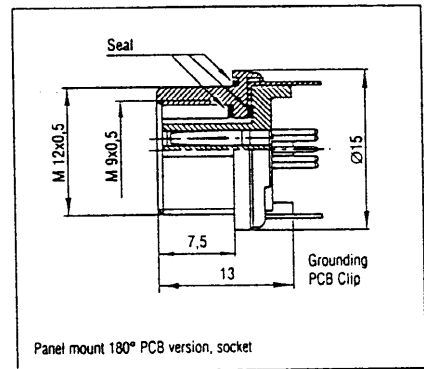
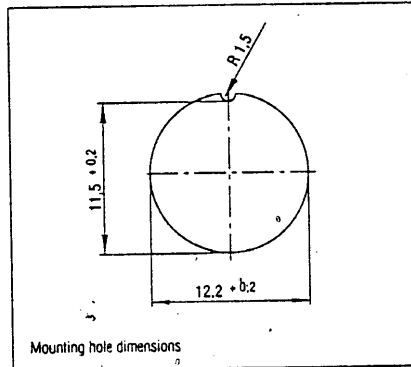
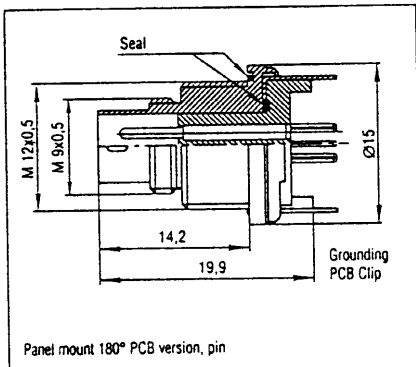
No. of Contacts	3	4	5	7	8
	Catalogue No.				
Panel Mount 180° PCB version, pin	T01-0570-P03	T01-0570-P04	T01-0570-P05	T01-0570-P07	T01-0570-P08
Panel Mount 180° PCB version, socket	T01-0570-S03	T01-0570-S04	T01-0570-S05	T01-0570-S07	T01-0570-S08
Panel Mount 90° PCB version, pin	T01-0560-P03	T01-0560-P04	T01-0560-P05	—	—
Panel Mount 90° PCB version, socket	T01-0560-S03	T01-0560-S04	T01-0560-S05	—	—
Panel Mount 180° Handsolder version, pin	T01-0580-P03	T01-0580-P04	T01-0580-P05	T01-0580-P07	T01-0580-P08
Panel Mount 180° Handsolder version, pocket	T01-0580-S03	T01-0580-S04	T01-0580-S05	T01-0580-S07	T01-0580-S08

Technical Data	3	4	5	7	8
Termination	Soldering				
Plating	Tribor 4 µm				
Dielectric of insert	PBT UL 94-V2				
Shell protection class	IP 65 acc. DIN 40050				
Shell material	CuZn				
Operating temperature range	-40 °C to +85 °C				
Mating cycles	> 500				
Wire gage		max. 0.25 mm ²			max. 0.14 mm ²
Rated current per contact		3 A			1 A
Test voltage		500 V AC			500 V AC
Operating voltage		60 V AC			60 V AC
Contact resistance		< 3 m Ω			< 5 m Ω

Priority type available from stock
Minimum unit quantity: 25 pieces (500 pcs)

TRIAD™ 01

Shielded Subminiature
Circular Connectors
Panel Mount Version

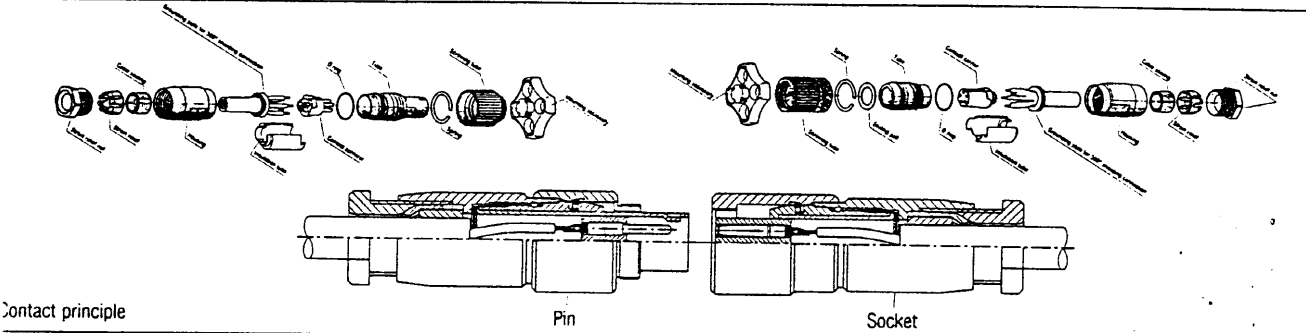
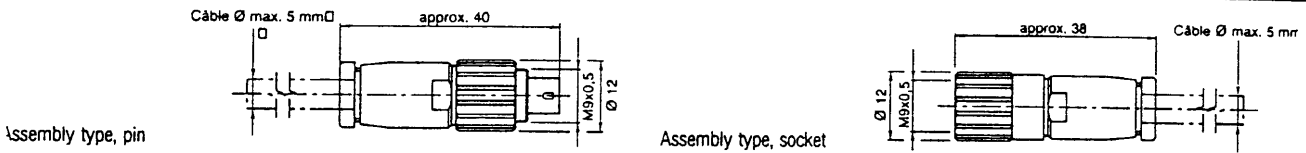
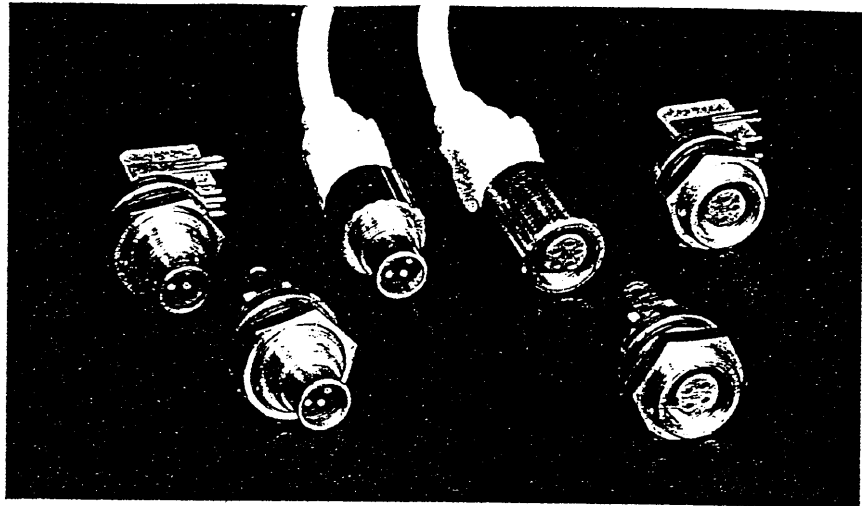


TRIAD™ 01

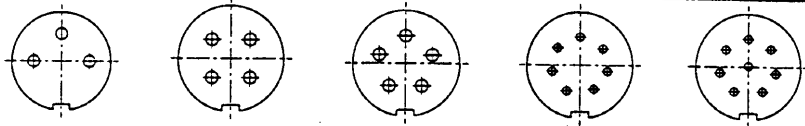
Shielded Subminiature

Circular Connectors

Cable Mount Plugs



Arrangement of Contacts



No. of Contacts	3	4	5	7	8
	Catalogue No.				
Assembly type, pin	T01-0550-P03	T01-0550-P04	T01-0550-P05	T01-0550-P07	T01-0550-P08
Assembly type, socket	T01-0550-S03	T01-0550-S04	T01-0550-S05	T01-0550-S07	T01-0550-S08

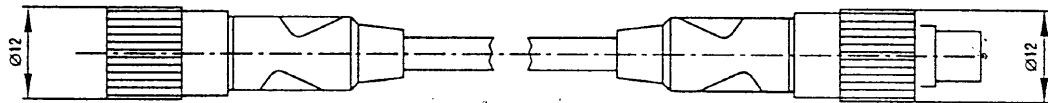
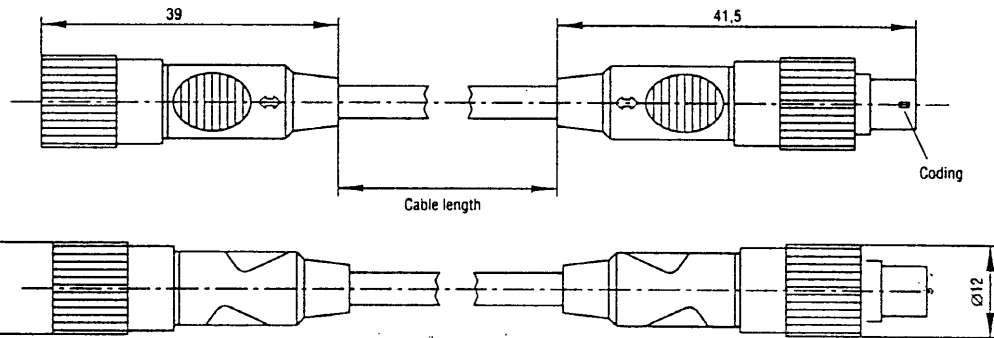
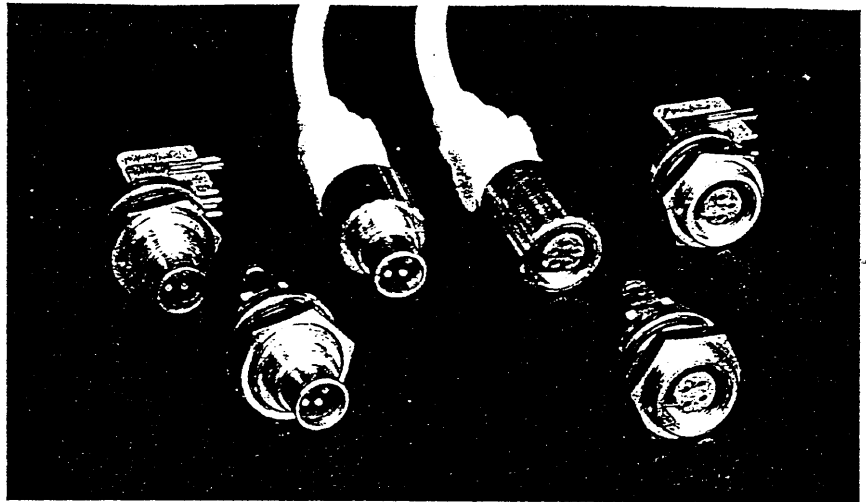
Technical Data	3	4	5	7	8
Termination	Soldering				
Plating	Tribor 4 µm				
Dielectric of insert	PBT UL 94-V2				
Shell protection class	IP65 acc. DIN 40050				
Shell material	CuZn				
Operating temperature range	-40 °C to +85 °C				
Mating cycles	> 500				
Wire gage		max. 0.25 mm ²			max. 0.14 mm ²
Rated current per contact		3 A			1 A
Test voltage		500 VAC			500 VAC
Operating voltage		60 VAC			60 VAC
Contact resistance		< 3 mΩ			< 5 mΩ

Priority type available from stock

Minimum unit quantity: 25 pieces

TRIAD™ 01

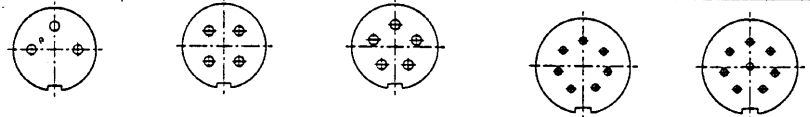
Shielded Subminiature
Circular Connectors
Cable assemblies
with overmoulded Connectors



Cable with overmoulded connector

4

Arrangement of Contacts



No. of Contacts	3	4	5	7	8
	Catalogue No.				
Cable length 1 m	T01-0599-B03-A	T01-0599-B04-A	T01-0599-B05-A	T01-0599-B07-A	T01-0599-B08-A
Cable length 3 m	T01-0599-B03-B	T01-0599-B04-B	T01-0599-B05-B	T01-0599-B07-B	T01-0599-B08-B
Cable length 5 m	T01-0599-B03-C	T01-0599-B04-C	T01-0599-B05-C	T01-0599-B07-C	T01-0599-B08-C
Technical Dat	3	4	5	7	8
Termination					Soldering
Plating					Tribor 4 µm
Dielectric of insert					PBT UL 94-V2
Shell protection class					IIP65 acc. DIN 40050
Shell material					CuZn
Operating temperature range					-40 °C to +85 °C
Mating cycles					> 500
Wire gage			max. 0.25 mm ²		
Rated current per contact			3 A		
Test voltage			500 VAC		
Operating voltage			60 VAC		
Contact resistance			< 3 mΩ		
				max. 0.14 mm ²	
				1 A	
				500 VAC	
				60 VAC	
				< 5 mΩ	

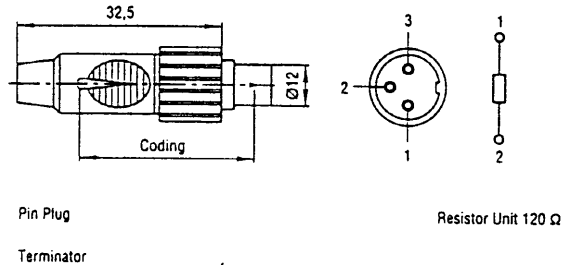
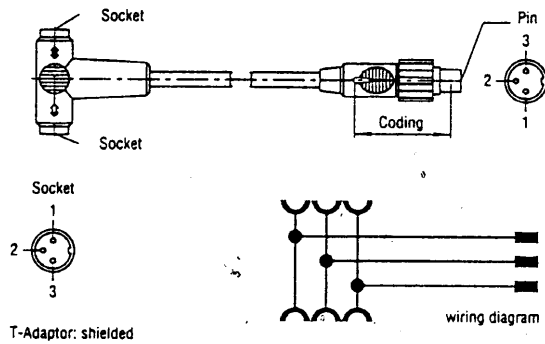
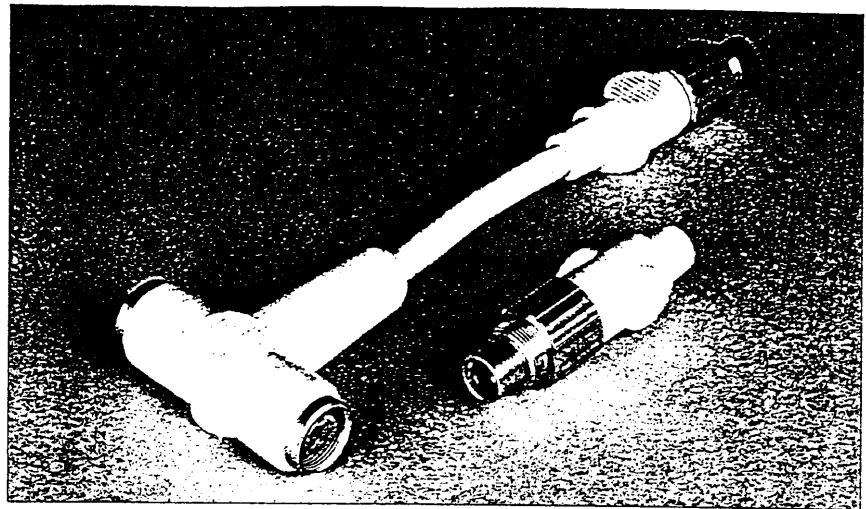
Priority type available from stock

Minimum unit quantity: 10 pieces

472-046
972-058

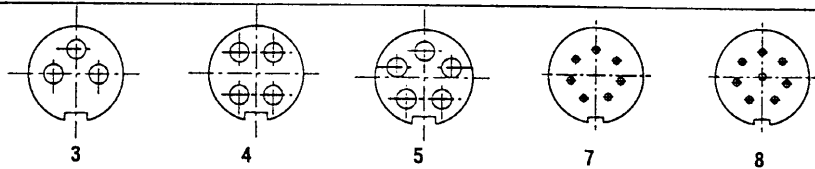
TRIAD™ 01

Shielded Subminiature
Circular Connectors
Accessories and Specials
CAN-BUS Components:
Non-interrupted Power
Supply for Network Devices



Cable assemblies, with overmoulded connectors: shielded

Arrangement of Contacts



No. of Contacts

Catalogue No.

T-Adaptor	T01-05T-SSP03-T	T01-05T-SSP04-T	T01-05T-SSP05-T	T01-05T-SSP07-T	T01-05T-SSP08-T
Terminator Resistor Unit	T01-05R-P03-120	-	-	-	-
Technical Data	3	4	5	7	8
Termination				Soldering	
Plating				Tribor 4 µm	
Dielectric of insert				PBT UL 94-V2	
Shell protection class				IP65 acc. DIN 40050	
Shell material				CuZn	
operating temperature range				-40 °C to +85 °C	
Mating cycles				> 500	
Wire gage		max. 0.25 mm ²			max. 0.14 mm ²
Rated current per contact		3 A			1 A
Test voltage		500 VAC			500 VAC
Operating voltage		60 VAC			60 VAC
Contact resistance		< 3 mΩ			< 5 mΩ

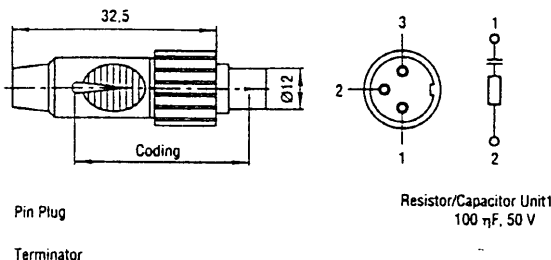
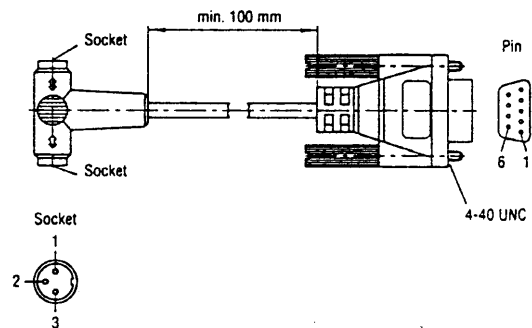
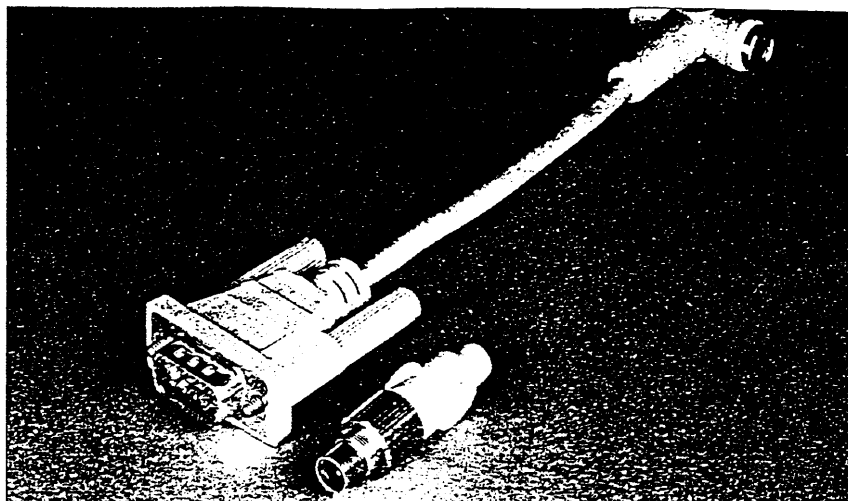
Priority type available from stock

Minimum unit quantity: 25 pieces



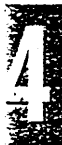
TRIAD™ 01

Shielded Subminiature
Circular Connectors
Accessories and Specials
MOD-BUS Components

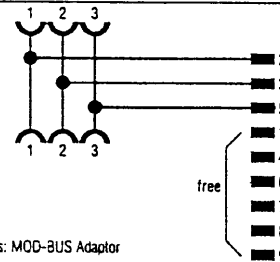
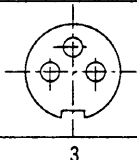


MOD-BUS-Adaptor: shielded

Cable assemblies, with overmoulded connectors: shielded



Arrangement of Contacts



No. of Contacts	3
	Catalogue No.
MOD-BUS Adaptor	T01-05T-MOD03-T
Terminator Resistor/Capacitor Unit	T01-05R-P03-RC

Assignment of Contacts: MOD-BUS Adaptor

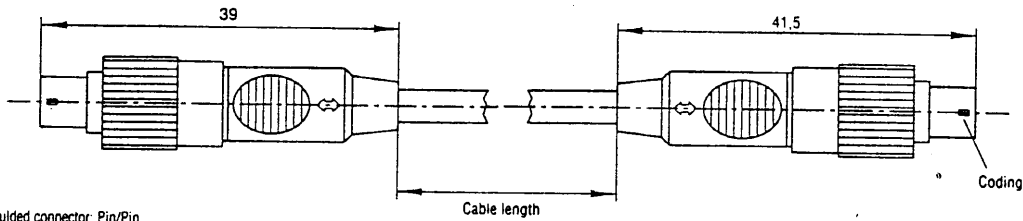
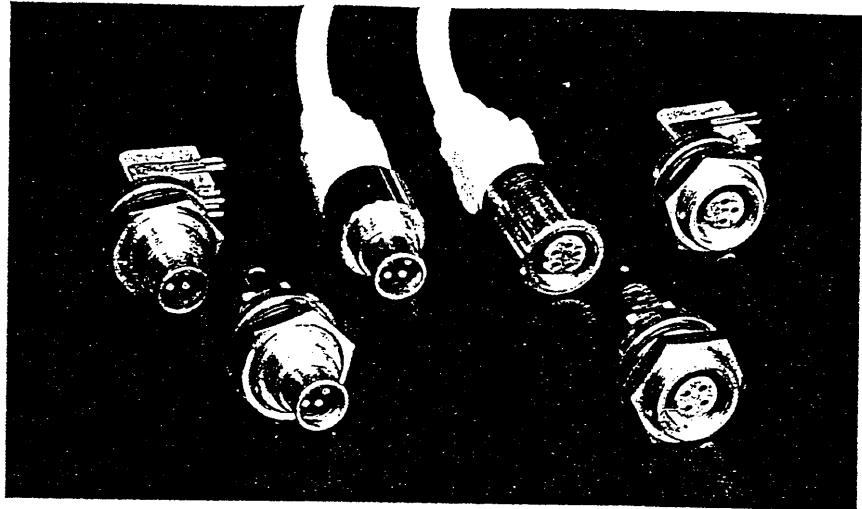
Technical Data

3

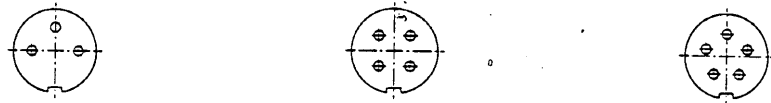
Termination	Soldering
Plating	Tribor 4 µm
Dielectric of insert	PBT UL 94-V2
Shell protection class	IP65 acc. DIN 40050
Shell material	CuZn
Operating temperature range	-40 °C to +85 ° C
Mating cycles	> 500
Wire gage	max. 0.25 mm ²
Rated current per contact	3 A
Test voltage	500 VAC
Operating voltage	60 VAC
Contact resistance	< 3 mΩ

TRIAD™ 01

Shielded Subminiature
Circular Connectors
Accessories and Specials
BUS-Cable Assemblies
with Overmoulded Connectors



Arrangement of Contacts



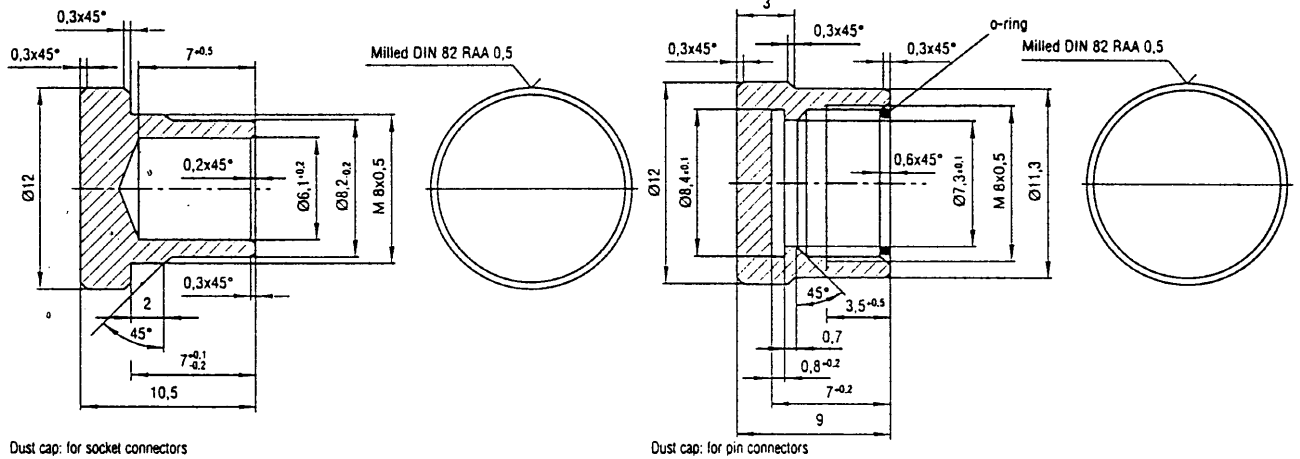
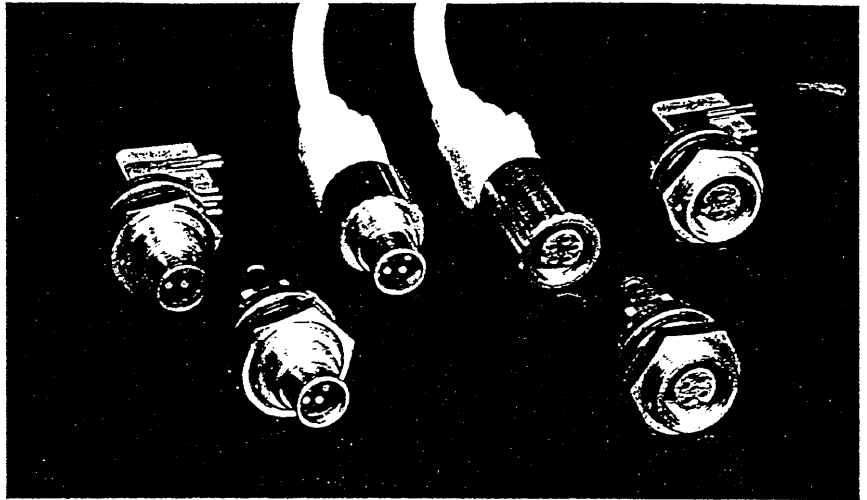
No. of Contacts	3	4	5
		Catalogue No.	
Cable length 0.5 m	T01-0599-PP03-F	T01-0599-PP04-F	T01-0599-PP05-F
Cable length 1 m	T01-0599-PP03-A	T01-0599-PP04-A	T01-0599-PP05-A
Cable length 2 m	T01-0599-PP03-E	T01-0599-PP04-E	T01-0599-PP05-E
Cable length 5 m	T01-0599-PP03-C	T01-0599-PP04-C	T01-0599-PP05-C

Technical Data	3	4	5
Termination		Soldering	
Plating		Tribor 4 µm	
Dielectric of insert		PBT UL 94-V2	
Shell protection class		IP65 acc. DIN 40050	
Shell material		CuZn	
Operating temperature range		-40 °C to +85 °C	
Mating cycles		> 500	
Wire gage		max. 0.25 mm ²	
Rated current per contact		3 A	
Test voltage		500 VAC	
Operating voltage		60 VAC	
Contact resistance		< 3 mΩ	

Priority type available from stock
Minimum unit quantity: 25 pieces

TRIAD™ 01

Shielded Subminiature
Circular Connectors
Accessories and Specials
Dust Caps



Dust cap: for socket connectors

Dust cap: for pin connectors

No. of Contacts	3	4	5	7	8
			Catalogue No.		
For Pin Plugs			T01-0500-P		
For Socket Connectors			T01-0500-S		
Technical Data	3	4	5	7	8
Shell protection class			IP 65 acc. DIN 40050		
Shell material			CuZn		
Operating temperature range			-40 °C to +85 °C		

Priority type available from stock

Minimum unit quantity: 25 pieces



Компания «Океан Электроники» предлагает заключение долгосрочных отношений при поставках импортных электронных компонентов на взаимовыгодных условиях!

Наши преимущества:

- Поставка оригинальных импортных электронных компонентов напрямую с производств Америки, Европы и Азии, а так же с крупнейших складов мира;
- Широкая линейка поставок активных и пассивных импортных электронных компонентов (более 30 млн. наименований);
- Поставка сложных, дефицитных, либо снятых с производства позиций;
- Оперативные сроки поставки под заказ (от 5 рабочих дней);
- Экспресс доставка в любую точку России;
- Помощь Конструкторского Отдела и консультации квалифицированных инженеров;
- Техническая поддержка проекта, помощь в подборе аналогов, поставка прототипов;
- Поставка электронных компонентов под контролем ВП;
- Система менеджмента качества сертифицирована по Международному стандарту ISO 9001;
- При необходимости вся продукция военного и аэрокосмического назначения проходит испытания и сертификацию в лаборатории (по согласованию с заказчиком);
- Поставка специализированных компонентов военного и аэрокосмического уровня качества (Xilinx, Altera, Analog Devices, Intersil, Interpoint, Microsemi, Actel, Aeroflex, Peregrine, VPT, Syfer, Eurofarad, Texas Instruments, MS Kennedy, Miteq, Cobham, E2V, MA-COM, Hittite, Mini-Circuits, General Dynamics и др.);

Компания «Океан Электроники» является официальным дистрибьютором и эксклюзивным представителем в России одного из крупнейших производителей разъемов военного и аэрокосмического назначения «JONHON», а так же официальным дистрибьютором и эксклюзивным представителем в России производителя высокотехнологичных и надежных решений для передачи СВЧ сигналов «FORSTAR».



JONHON

«JONHON» (основан в 1970 г.)

Разъемы специального, военного и аэрокосмического назначения:

(Применяются в военной, авиационной, аэрокосмической, морской, железнодорожной, горно- и нефтедобывающей отраслях промышленности)

«FORSTAR» (основан в 1998 г.)

ВЧ соединители, коаксиальные кабели,
кабельные сборки и микроволновые компоненты:

(Применяются в телекоммуникациях гражданского и специального назначения, в средствах связи, РЛС, а так же военной, авиационной и аэрокосмической отраслях промышленности).



Телефон: 8 (812) 309-75-97 (многоканальный)

Факс: 8 (812) 320-03-32

Электронная почта: ocean@oceanchips.ru

Web: <http://oceanchips.ru/>

Адрес: 198099, г. Санкт-Петербург, ул. Калинина, д. 2, корп. 4, лит. А