

## High Speed Quad MOSFET Driver

### Features

- ▶ 6ns rise and fall time with 1000pF load
- ▶ 2A peak output source/sink current
- ▶ 1.2V to 5V input CMOS compatible
- ▶ 5V to 12V total supply voltage
- ▶ Smart Logic threshold
- ▶ Low jitter design
- ▶ Four matched channels
- ▶ Outputs can swing below ground
- ▶ Output is high impedance when disabled
- ▶ Low inductance package
- ▶ High-performance thermally-enhanced

### Applications

- ▶ Medical ultrasound imaging
- ▶ Piezoelectric transducer drivers
- ▶ Nondestructive evaluation
- ▶ PIN diode driver
- ▶ CCD Clock driver/buffer
- ▶ High speed level translator

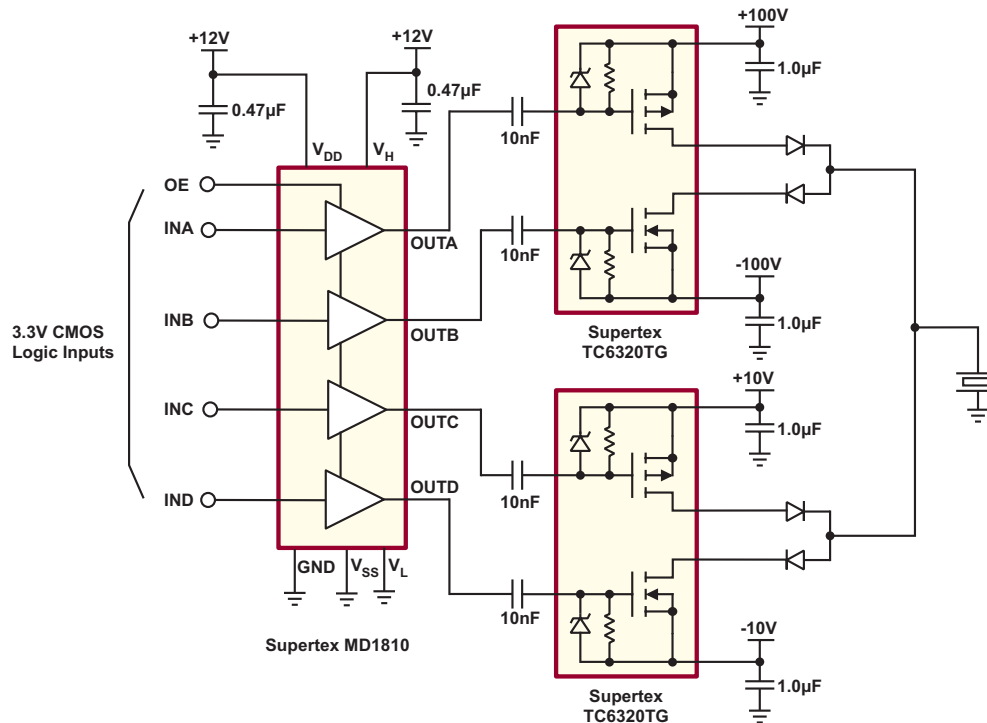
### General Description

The Supertex MD1810 is a high-speed quad MOSFET driver. It is designed to drive high voltage P- and N-channel MOSFETs for medical ultrasound imaging applications. The MD1810 can also be used for ultrasound metal flaw detection, nondestructive evaluation test, piezoelectric transducer drive, clock drive, and PIN diode drive.

The MD1810 has four inputs which individually control four outputs. It also has an output enable (OE) pin. When OE is low, all of the outputs will be in a high impedance state regardless of their logic input control. When OE is high, the MD1810 sets the threshold logic transition to  $(V_{OE} + V_{GND})/2$ . This ensures the transition to always be at half the amplitude of the logic input signal. This allows the device to have inherent propagation delay matching regardless of the logic input amplitude.

The output stage of the MD1810 has separate power connections enabling the output signal L and H levels to be chosen independently from the  $V_{DD}$  and  $V_{SS}$  supply voltages. As an example, the input logic levels may be 0 and 1.8 volts, the control logic may be powered by +5 and -5 volts, and the output L and H levels may be varied anywhere over the range of -5 to +5 volts. The output stage is capable of peak currents of up to  $\pm 2$  amps, depending on the supply voltages used and load capacitance present.

### Typical Application Circuit



## Ordering Information

DEVICE	Package Options
	16-Lead QFN 4x4mm body, 1.0mm height (max), 0.65mm pitch
MD1810	MD1810K6-G
$\theta_{JA}$	45°C/W (1oz. 4-layer 3x4inch PCB)

-G indicates package is RoHS compliant ('Green')



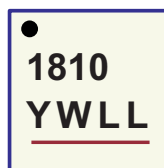
ESD Sensitive Device

## Absolute Maximum Ratings

Parameter	Value
$V_{DD}-V_{SS}$ , logic supply voltage	-0.5V to +13.5V
$V_H$ , Output high supply voltage	$V_L-0.5V$ to $V_{DD}+0.5V$
$V_L$ , Output low supply voltage	$V_{SS}-0.5V$ to $V_H+0.5V$
$V_{SS}$ , Low side supply voltage	-7V to +0.5V
Logic input levels	$V_{SS}-0.5V$ to $V_{SS}+7V$
Maximum junction temperature	+125°C
Storage temperature	-65°C to 150°C
Soldering temperature	235°C
Package power dissipation	2.2W

Absolute Maximum Ratings are those values beyond which damage to the device may occur. Functional operation under these conditions is not implied. Continuous operation of the device at the absolute rating level may affect device reliability. All voltages are referenced to device ground.

## Product Marking



Y = Last Digit of Year Sealed  
W = Code for Week Sealed  
L = Lot Number  
— = "Green" Packaging

## 16-Lead QFN Package

DC Electrical Characteristics ( $V_H = V_{DD} = 12V$ ,  $V_L = V_{SS} = GND = 0V$ ,  $V_{OE} = 3.3V$ ,  $T_J = 25^\circ C$ )

Sym.	Parameter	Min.	Typ.	Max.	Units	Conditions
$V_{DD}-V_{SS}$	Logic supply voltage	4.5	-	13	V	---
$V_{SS}$	Low side supply voltage	-5.5	-	0	V	---
$V_H$	Output high supply voltage	$V_{SS}+2$	-	$V_{DD}$	V	---
$V_L$	Output low supply voltage	$V_{SS}$	-	$V_{DD}-2$	V	---
$I_{DDQ}$	$V_{DD}$ quiescent current	-	0.8	-	mA	No input transitions, OE = 1
$I_{HQ}$	$V_H$ quiescent current	-	-	10	$\mu A$	
$I_{DD}$	$V_{DD}$ average current	-	7.0	-	mA	One channel on at 5.0Mhz, No load
$I_H$	$V_H$ average current	-	18	-	mA	
$V_{IH}$	Input logic voltage high	$V_{OE}-0.3$	-	5.0	V	For logic inputs INA, INB, INC, and IND
$V_{IL}$	Input logic voltage low	0	-	0.3	V	
$I_{IH}$	Input logic current high	-	-	1.0	$\mu A$	
$I_{IL}$	Input logic current low	-	-	1.0	$\mu A$	
$V_{IH}$	OE Input logic voltage high	1.2	-	5	V	For logic input OE
$V_{IL}$	OE Input logic voltage low	0	-	0.3	V	
$R_{IN}$	Input logic impedance to GND	12	20	30	K $\Omega$	
$C_{IN}$	Logic input capacitance	-	5.0	10	pF	---

**Outputs** ( $V_H = V_{DD} = 12V$ ,  $V_L = V_{SS} = GND = 0V$ ,  $V_{OE} = 3.3V$ ,  $T_J = 25^\circ C$ )

Sym.	Parameter	Min.	Typ.	Max.	Units	Conditions
$R_{SINK}$	Output sink resistance	-	-	12.5	$\Omega$	$I_{SINK} = 50mA$
$R_{SOURCE}$	Output source resistance	-	-	12.5	$\Omega$	$I_{SOURCE} = 50mA$
$I_{SINK}$	Peak output sink current	-	2.0	-	A	---
$I_{SOURCE}$	Peak output source current	-	2.0	-	A	---

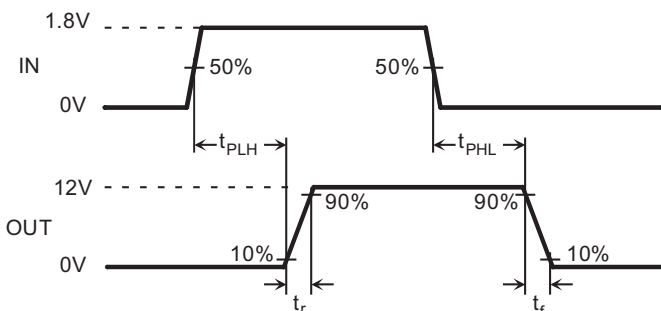
**AC Electrical Characteristics** ( $V_H = V_{DD} = 12V$ ,  $V_L = V_{SS} = GND = 0V$ ,  $V_{OE} = 3.3V$ ,  $T_J = 25^\circ C$ )

Sym.	Parameter	Min.	Typ.	Max.	Units	Conditions
$t_{irf}$	Input or OE rise & fall time	-	-	10	ns	Logic input edge speed requirement
$t_{PLH}$	Propagation delay when output is from low to high	-	7.0	-	ns	$C_{LOAD} = 1000pF$ , see timing diagram Input signal rise/fall time 2ns
$t_{PHL}$	Propagation delay when output is from high to low	-	7.0	-	ns	
$t_{POE}$	Propagation delay OE to output	-	9.0	-	ns	
$t_r$	Output rise time	-	6.0	-	ns	
$t_f$	Output fall time	-	6.0	-	ns	
$ t_r - t_f $	Rise and fall time matching	-	1.0	-	ns	
$ t_{PLH} - t_{PHL} $	Propagation low to high and high to low matching	-	1.0	-	ns	for each channel
$\Delta t_{dm}$	Propagation delay matching	-	$\pm 2.0$	-	ns	Device to device delay match

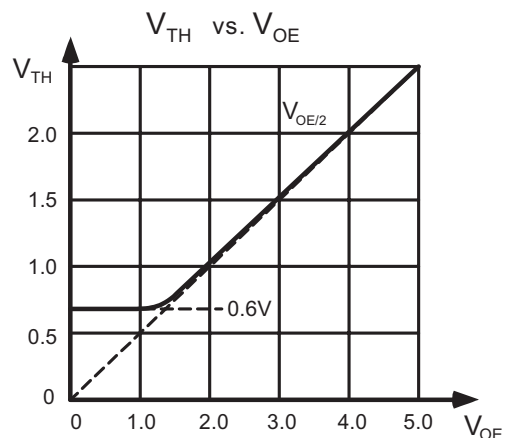
**Logic Truth Table**

Logic Inputs		Output
OE	IN	
H	L	$V_L$
H	H	$V_H$
L	X	High Z

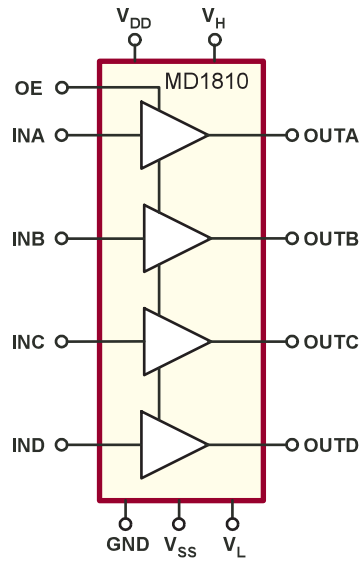
**Timing Diagram**



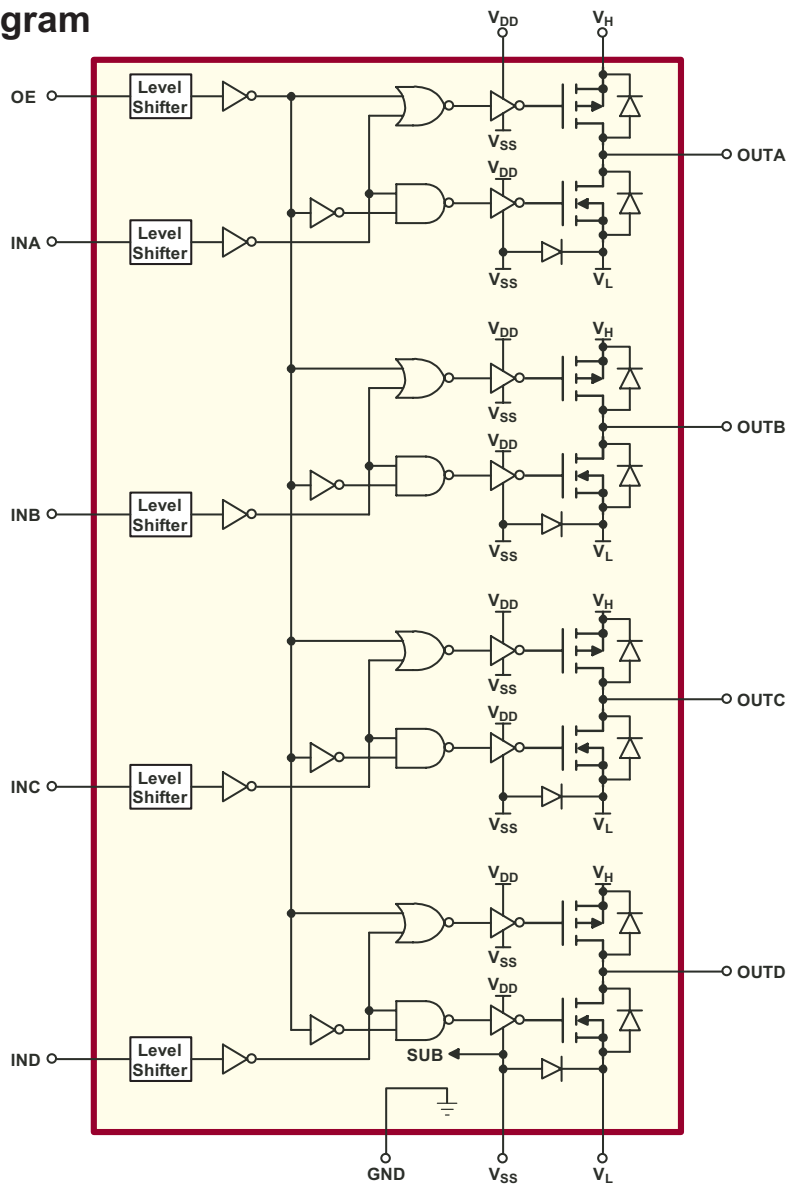
**$V_{TH} / V_{OE}$  Curve**



Simplified Block Diagram

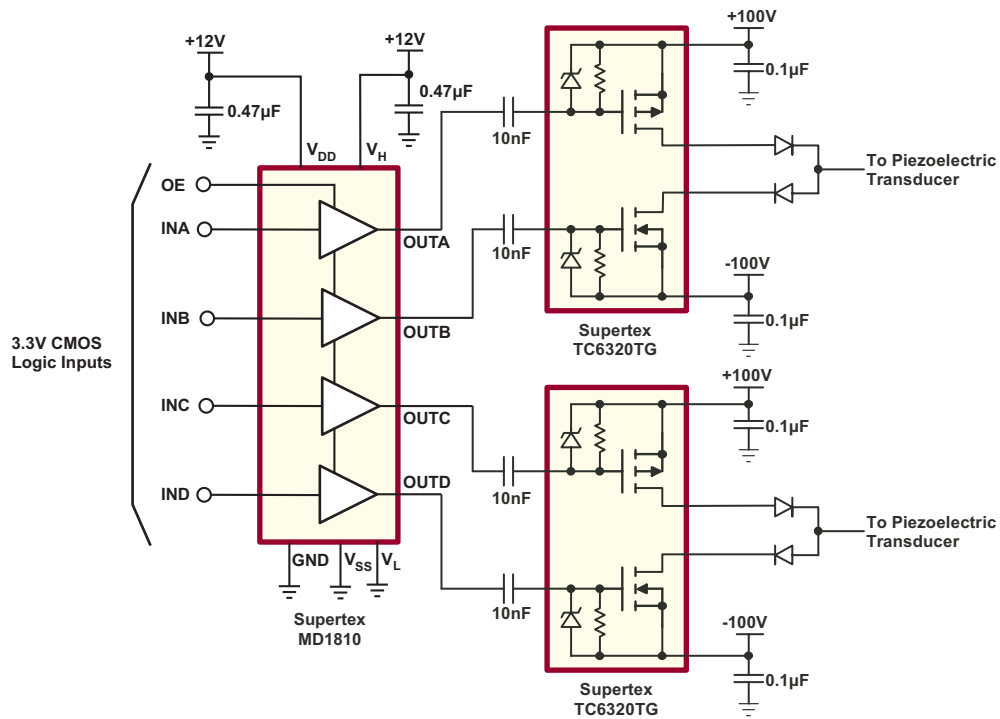


Detailed Block Diagram

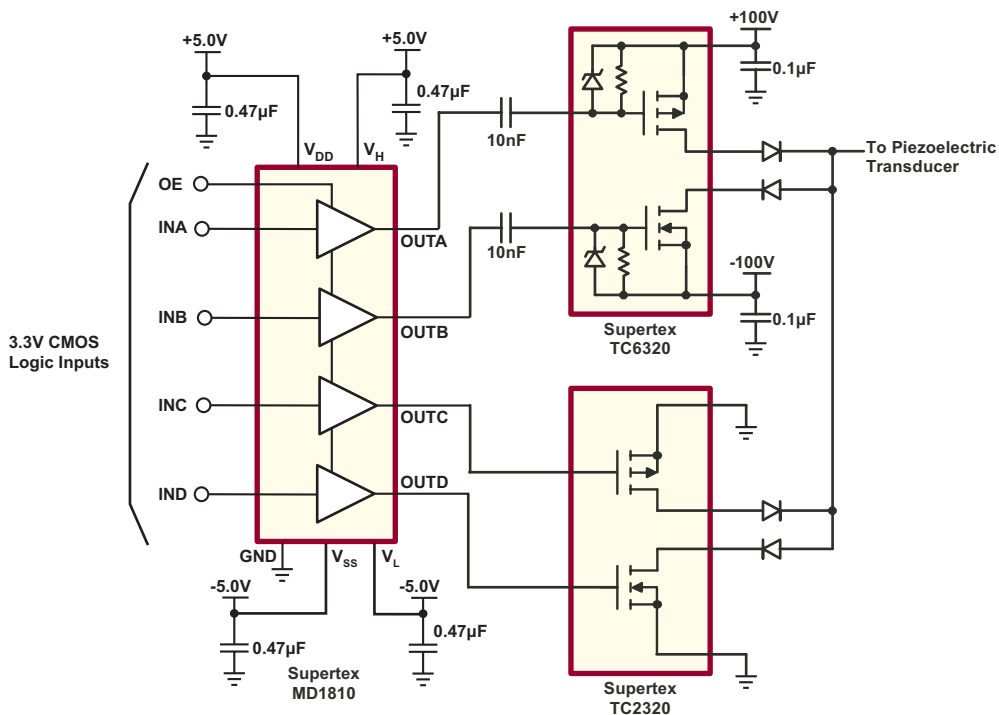


Typical Applications

2-Channel +100V to -100V Pulser



Single Channel ±100V to 0V Pulser



## Application Information

For proper operation of the MD1810, low inductance bypass capacitors should be used on the various supply pins. The GND pin should be connected to the logic ground. The INA, INB, INC, IND, and OE pins should be connected to a logic source with a swing of GND to  $V_{LL}$ , where  $V_{LL}$  is 1.2 to 5.0 volts. Good trace practices should be followed corresponding to the desired operating speed. The internal circuitry of the MD1810 is capable of operating up to 100MHz, with the primary speed limitation being the loading effects of the load capacitance. Because of this speed and the high transient currents that result with capacitive loads, the bypass capacitors should be as close to the chip pins as possible. Unless the load specifically requires bipolar drive, the  $V_{SS}$  and  $V_L$  pins should have low inductance feed-through connections directly to a ground plane. If these voltages are not zero, then they need bypass capacitors in a manner similar to the positive power supplies. The power connection  $V_{DD}$  should have a ceramic bypass capacitor to the ground plane with short leads and decoupling components to prevent resonance in the power leads.

The voltages of  $V_H$  and  $V_L$  decide the output signal levels. These two pins can draw fast transient currents of up to 2A, so they should be provided with an appropriate bypass

capacitor located next to the chip pins. A ceramic capacitor of up to 1.0 $\mu$ F may be appropriate, with a series ferrite bead to prevent resonance in the power supply lead coming to the capacitor. Pay particular attention to minimizing trace lengths, current loop area and using sufficient trace width to reduce inductance. Surface mount components are highly recommended. Since the output impedance of this driver is very low, in some cases it may be desirable to add a small series resistance in series with the output signal to obtain better waveform transitions at the load terminals. This will of course reduce the output voltage slew rate at the terminals of a capacitive load.

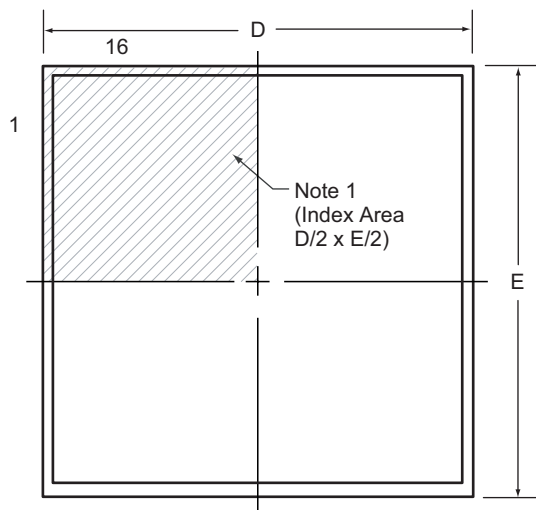
Pay particular attention that parasitic couplings are minimized from the output to the input signal terminals. The parasitic feedback may cause oscillations or spurious waveform shapes on the edges of signal transitions. Since the input operates with signals down to 1.2V even small coupled voltages may cause problems. Use of a solid ground plane and good power and signal layout practices will prevent this problem. Be careful that a circulating ground return current from a capacitive load cannot react with common inductance to cause noise voltages in the input logic circuitry.

## Pin Description

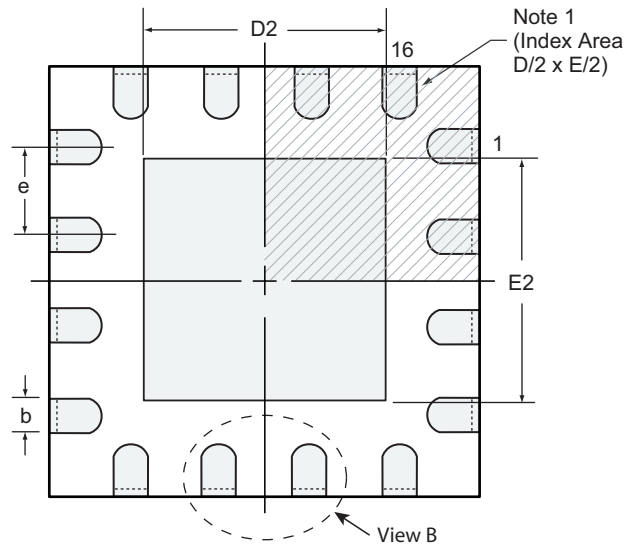
Pin #	Function	Description
1	INB	Logic input. Input logic high will cause the output to swing to $V_H$ . Input logic low will cause the output to swing to $V_L$ . Keep all logic inputs low until IC powered up.
5	INC	
6	IND	
15	INA	
2	$V_L$	Supply voltage for N-channel output stage.
4		
3	GND	Logic input ground reference.
7	$V_{SS}$	Low side supply voltage. $V_{SS}$ is also connected to the IC substrate. It is required to connect to the most negative potential of voltage supplies and powered-up first.
8	OUTD	Output drivers
9	OUTC	
12	OUTB	
13	OUTA	
10	$V_H$	Supply voltage for P-channel output stage.
11		
14	$V_{DD}$	High side supply voltage.
16	OE	Output enable logic input. When OE is high, $(V_{OE} + V_{GND})/2$ sets the threshold transition between logic level high and low. When OE is low, all outputs are at high impedance. Keep OE low until IC powered up.
Substrate		The IC substrate is internally connected to the thermal pad. Thermal Pad and $V_{SS}$ must be connected externally.

# 16-Lead QFN Package Outline (K6)

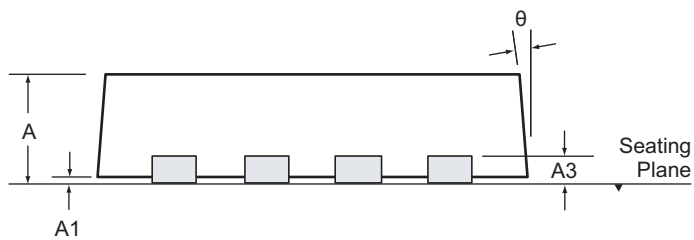
4x4mm body, 1.00mm height (max), 0.65mm pitch



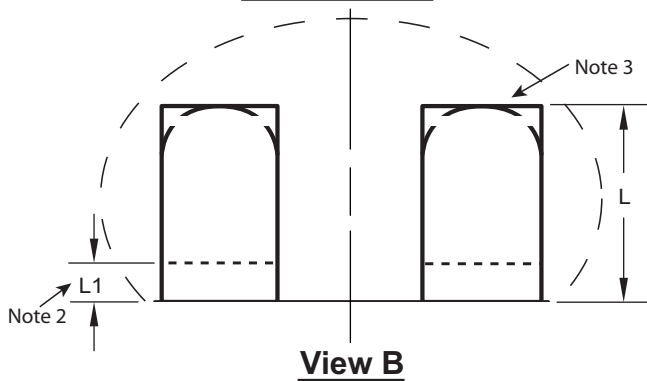
**Top View**



**Bottom View**



**Side View**



**View B**

**Notes:**

1. Details of Pin 1 identifier are optional, but must be located within the indicated area. The Pin 1 identifier may be either a mold, or an embedded metal or marked feature.
2. Depending on the method of manufacturing, a maximum of 0.15mm pullback (L1) may be present.
3. The inner tip of the lead may be either rounded or square.

Symbol	A	A1	A3	b	D	D2	E	E2	e	L	L1	θ	
Dimension (mm)	MIN	0.80	0.00	0.20 REF	0.25	3.85	2.40	3.85	2.40	0.65 BSC	0.30	-	0°
	NOM	0.90	0.02		0.30	4.00	-	4.00	-		0.40	-	-
	MAX	1.00	0.05		0.35	4.15	2.80	4.15	2.80		0.50	0.15	14°

JEDEC Registration MO-220, Variation VGGC-3, Issue K, June 2006.

Drawings not to scale.

**Supertex inc.** does not recommend the use of its products in life support applications, and will not knowingly sell its products for use in such applications, unless it receives an adequate "product liability indemnification insurance agreement". **Supertex** does not assume responsibility for use of devices described and limits its liability to the replacement of the devices determined defective due to workmanship. No responsibility is assumed for possible omissions or inaccuracies. Circuitry and specifications are subject to change without notice. For the latest product specifications, refer to the **Supertex** website: <http://www.supertex.com>.

©2007 **Supertex inc.** All rights reserved. Unauthorized use or reproduction is prohibited.

**Supertex inc.**

1235 Bordeaux Drive, Sunnyvale, CA 94089  
 TEL: (408) 222-8888 / FAX: (408) 222-4895

[www.supertex.com](http://www.supertex.com)



Компания «Океан Электроники» предлагает заключение долгосрочных отношений при поставках импортных электронных компонентов на взаимовыгодных условиях!

Наши преимущества:

- Поставка оригинальных импортных электронных компонентов напрямую с производств Америки, Европы и Азии, а так же с крупнейших складов мира;
- Широкая линейка поставок активных и пассивных импортных электронных компонентов (более 30 млн. наименований);
- Поставка сложных, дефицитных, либо снятых с производства позиций;
- Оперативные сроки поставки под заказ (от 5 рабочих дней);
- Экспресс доставка в любую точку России;
- Помощь Конструкторского Отдела и консультации квалифицированных инженеров;
- Техническая поддержка проекта, помощь в подборе аналогов, поставка прототипов;
- Поставка электронных компонентов под контролем ВП;
- Система менеджмента качества сертифицирована по Международному стандарту ISO 9001;
- При необходимости вся продукция военного и аэрокосмического назначения проходит испытания и сертификацию в лаборатории (по согласованию с заказчиком);
- Поставка специализированных компонентов военного и аэрокосмического уровня качества (Xilinx, Altera, Analog Devices, Intersil, Interpoint, Microsemi, Actel, Aeroflex, Peregrine, VPT, Syfer, Eurofarad, Texas Instruments, MS Kennedy, Miteq, Cobham, E2V, MA-COM, Hittite, Mini-Circuits, General Dynamics и др.);

Компания «Океан Электроники» является официальным дистрибьютором и эксклюзивным представителем в России одного из крупнейших производителей разъемов военного и аэрокосмического назначения «JONHON», а так же официальным дистрибьютором и эксклюзивным представителем в России производителя высокотехнологичных и надежных решений для передачи СВЧ сигналов «FORSTAR».



## JONHON

«JONHON» (основан в 1970 г.)

Разъемы специального, военного и аэрокосмического назначения:

(Применяются в военной, авиационной, аэрокосмической, морской, железнодорожной, горно- и нефтедобывающей отраслях промышленности)

«FORSTAR» (основан в 1998 г.)

ВЧ соединители, коаксиальные кабели,  
кабельные сборки и микроволновые компоненты:

(Применяются в телекоммуникациях гражданского и специального назначения, в средствах связи, РЛС, а так же военной, авиационной и аэрокосмической отраслях промышленности).



Телефон: 8 (812) 309-75-97 (многоканальный)

Факс: 8 (812) 320-03-32

Электронная почта: [ocean@oceanchips.ru](mailto:ocean@oceanchips.ru)

Web: <http://oceanchips.ru/>

Адрес: 198099, г. Санкт-Петербург, ул. Калинина, д. 2, корп. 4, лит. А