

Mil-Spec Connectors & Accessories



DEUTSCH ECD

Defense / Aerospace Operations . . .

is the world's premier manufacturer of electrical interconnection devices for use in defense, aerospace, and commercial applications. Whether you need an interconnection device for a commercial or military aircraft, missile, tank, truck transmission or a host of other applications, Deutsch has the solution you're looking for.

Deutsch ECD Defense Aerospace Operations

5733 W. Whittier Ave., Hemet CA (USA) 92545
Phone 909/765-2200 • FAX 909/922-1544

MIL-C-38999 Series I

DEUTSCH DJT SERIES CONNECTORS

Cylindrical, High Density Bayonet Coupling Connector Qualified to MIL-C-38999 Series I

The Deutsch Series I version is a long shell, scoop-proof, bayonet coupling connector available in both environment resisting resilient and hermetic types. These Series I connectors are intermateable and interchangeable with all other MIL-C-38999 Series I connectors.

Dielectric withstanding voltage:
(Meets MIL-C-38999, paragraph 3.14)
At sea level: 1800 volts AC (RMS)
At 100,000 ft.: 200 volts AC (RMS)

Insulation resistance:
(Meets MIL-C-38999, paragraph 3.13)
5000 megohms min. at 25°

Thermal shock:
(Meets MIL-C-38999, paragraph 3.8)
After cycling the connector between -65° C and +175° C, it will meet all applicable electrical and mechanical requirements.

Current rating:
(Meets MIL-C-39029, paragraph 1.3.1)
Contact Size Max. Amps
22D 5
20 7.5
16 13
12 23

Temperature:
(Meets MIL-C-38999, paragraph 3.11)
Operative at temperatures from -65° C to +175° C.

Durability:
(Meets MIL-C-38999, paragraph 3.11)
No electrical or mechanical defects after 500 cycles of engagement and disengagement.

Physical shock:
(Meets MIL-C-38999, paragraph 3.27)
No loosening of parts, cracking or other deleterious results hindering further part operation after 300 G's in each of 3 mutually perpendicular planes.

Contact millivolt drop:
22D — 73 millivolts at 5.0 amps
20 — 55 millivolts at 7.5 amps
16 — 49 millivolts at 135.0 amps
12 — 42 millivolts at 23.0 amps

Corrosion:
(Meets MIL-C-38999, paragraph 3.16)
Meets appropriate electrical and mechanical requirements and shows no exposure of base metal after 500 hours of salt spray.

Vibration:
(Meets MIL-C-38999, paragraph 3.26)

Contact resistance at 25° C:
(Meets MIL-C-39029, paragraph 3.5.4)
Contact & Test Current Millivolt
Wire Size (Amps) Drop (*)
22D 5 73
20 7.5 55
16 13 49
12 23 42

Usable wire size:
(Meets MIL-C-39029, paragraph 3.4.3.1)
Contact Size Accepts (AWG)
22D 22-28
20 20-24
16 16-20
12 12&14

Materials:
Shell — aluminum alloy.
Pin contacts — copper alloy.
Inserts — plastic; silicone.

Finish:
Shell — O.D. cad over nickel.
Contacts — gold over nickel.

Grommet sealing range:
(Meets MIL-C-39029, paragraph 3.4.3.1)
Contact Max. Wire Min. Wire
Size O.D. O.D.
22D .054 .030
20 .083 .040
16 .109 .065
12 .142 .097

Fluid compatibility:
(Meets MIL-C-38999, paragraph 3.33)
Designed to function in all fluids encountered in any modern military or aerospace environment.

EMI shielding:
(Meets MIL-C-38999, paragraph 3.31)
Effective over a range of 100 MHz to 10 GHz with a minimum 50 dB effectiveness at 10 GHz.

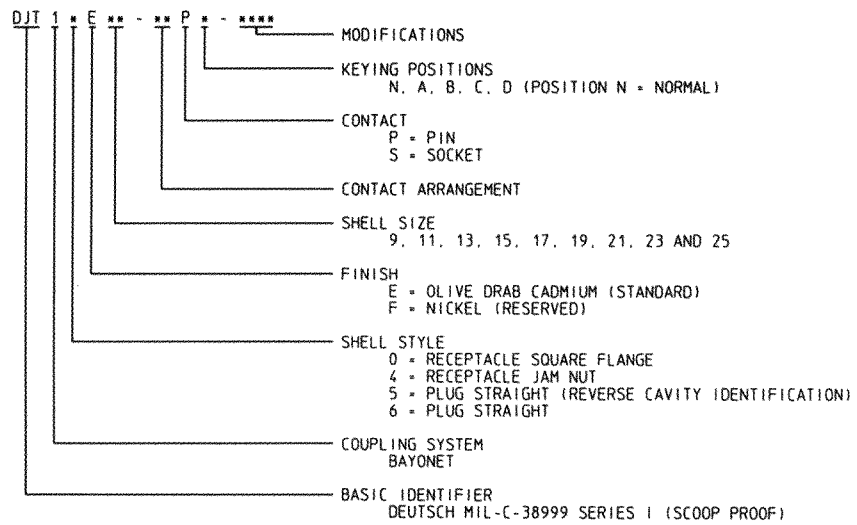
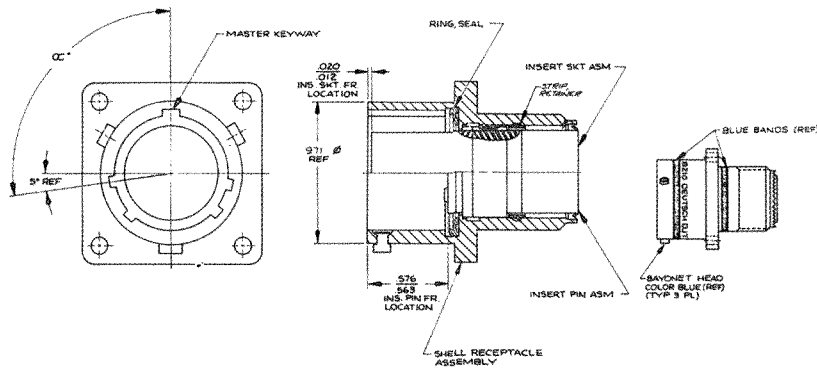
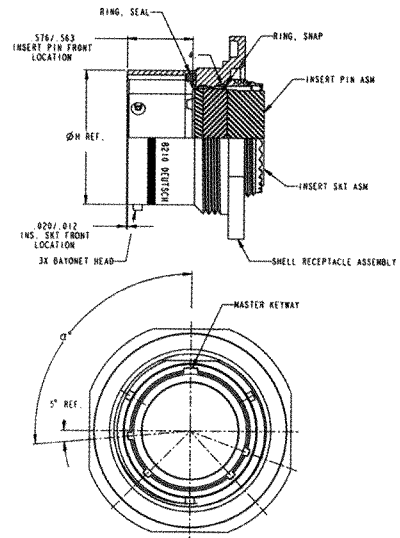
| Frequency MHz | Leakage attenuation minimum (dB) |
|------------------|-------------------------------------|
| 100 | 90 |
| 200 | 88 |
| 300 | 87 |
| 400 | 85 |
| 800 | 85 |
| 1,000 | 85 |
| 1,500 | 69 |
| 2,000 | 65 |
| 3,000 | 61 |
| 4,000 | 58 |
| 6,000 | 55 |
| 10,000 | 50 |

Fluid immersion:
Fluid resistant to many fuels, coolants and solvents per MIL-C-38999.

This information is for reference only. Consult factory for envelope drawings, updated specifications, and additions to the product line.



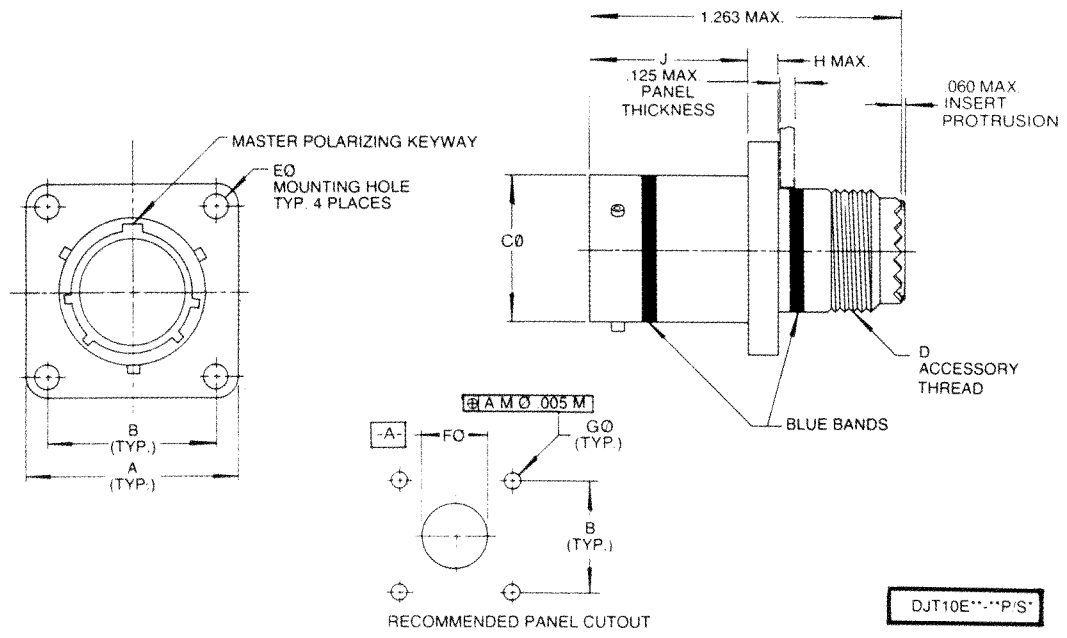
| SHELL SIZE | H DIA. REF. | SHELL SIZE | KEY POSITION α | | | | |
|------------|-------------|------------|-----------------------|-----|-----|------|------|
| | | | H | A | B | C | D |
| 09 | .568 | 09 | 95° | 77° | --- | --- | 113° |
| 11 | .696 | 11 | 95° | 81° | 67° | 123° | 109° |
| 13 | .846 | 13 | 95° | 75° | 63° | 127° | 115° |
| 15 | .971 | 15 | 95° | 74° | 61° | 129° | 116° |
| 17 | 1.096 | 17 | 95° | 77° | 65° | 125° | 113° |
| 19 | 1.203 | 19 | 95° | 77° | 65° | 125° | 113° |
| 21 | 1.328 | 21 | 95° | 77° | 65° | 125° | 113° |
| 23 | 1.453 | 23 | 95° | 80° | 69° | 121° | 110° |
| 25 | 1.578 | 25 | 95° | 80° | 69° | 121° | 110° |



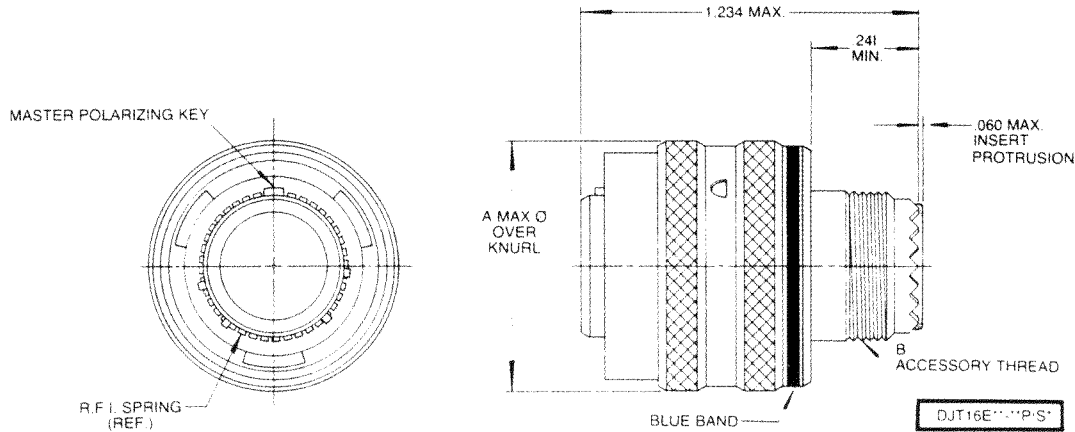
This information is for reference only. Consult factory for envelope drawings, updated specifications, and additions to the product line.



Receptacle Outline Dimensions



Plug Outline Dimensions



| SHELL SIZE | A ± .020 | B ± .005 | C0 ± .003 | D THREAD UNEF-2A | E0 + .010 - .005 | F0 MIN. | G0 ± .005 | H MAX. | J + .000 - .005 | A0 MAX | B THREAD UNEF-2A |
|------------|----------|----------|-----------|------------------|------------------|---------|-----------|--------|-----------------|--------|------------------|
| 9 | .938 | .719 | .570 | .4375-28 | .128 | .516 | .128 | .100 | .632 | .859 | .4375-28 |
| 11 | 1.031 | .812 | .698 | .5625-24 | .128 | .664 | .128 | .100 | .632 | .984 | .5625-24 |
| 13 | 1.125 | .906 | .848 | .6875-24 | .128 | .750 | .128 | .100 | .632 | 1.156 | .6875-24 |
| 15 | 1.219 | .969 | .973 | .8125-20 | .128 | .906 | .128 | .100 | .632 | 1.281 | .8125-20 |
| 17 | 1.312 | 1.062 | 1.098 | .9375-20 | .128 | 1.016 | .128 | .100 | .632 | 1.406 | .9375-20 |
| 19 | 1.438 | 1.156 | 1.205 | 1.0625-18 | .128 | 1.141 | .128 | .100 | .632 | 1.516 | 1.0625-18 |
| 21 | 1.562 | 1.250 | 1.330 | 1.1875-18 | .128 | 1.266 | .128 | .130 | .602 | 1.641 | 1.1875-18 |
| 23 | 1.688 | 1.375 | 1.455 | 1.3125-18 | .147 | 1.377 | .154 | .130 | .602 | 1.766 | 1.3125-18 |
| 25 | 1.812 | 1.500 | 1.580 | 1.4375-18 | .147 | 1.484 | .154 | .130 | .602 | 1.891 | 1.4375-18 |

This information is for reference only. Consult factory for envelope drawings, updated specifications, and additions to the product line.



DJT Series Insert Arrangements

Contact Arrangements



Deutsch Shell Sizes

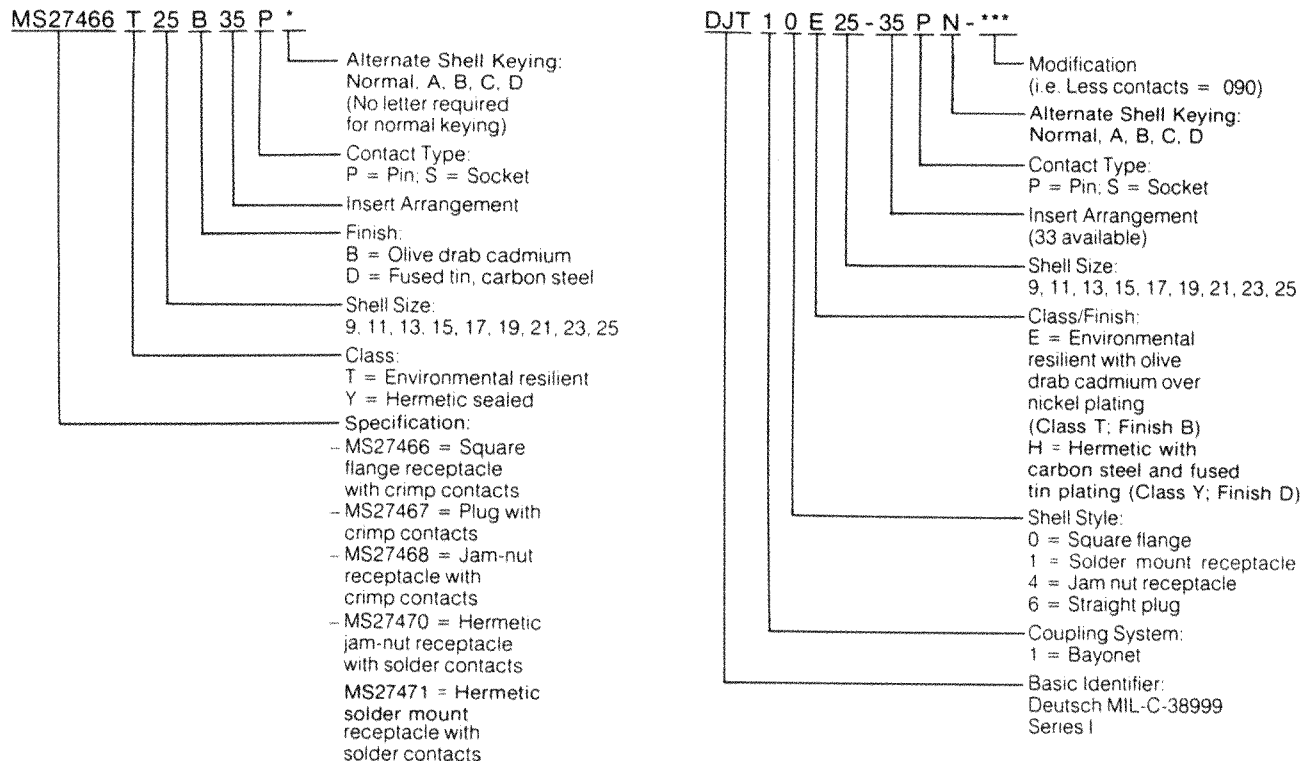
| DJT | Service Rating | Total Contacts | Contact Size | | | |
|-------|----------------|----------------|--------------|----|----|----|
| | | | 22D | 20 | 16 | 12 |
| 9-35 | M | 6 | 6 | | | |
| 9-98 | I | 3 | | 3 | | |
| 11-5 | I | 5 | | 5 | | |
| 11-35 | M | 13 | 13 | | | |
| 11-99 | I | 7 | | 7 | | |
| 13-4 | I | 4 | | | 4 | |
| 13-35 | M | 22 | 22 | | | |
| 13-98 | I | 10 | | 10 | | |
| 15-5 | II | 5 | | | 5 | |
| 15-18 | I | 18 | | | 18 | |
| 15-35 | M | 37 | 37 | | | |
| 15-97 | I | 12 | | 8 | 4 | |
| 17-6 | I | 6 | | | | 6 |
| 17-8 | II | 8 | | | 8 | |
| 17-26 | I | 26 | | 26 | | |
| 17-35 | M | 55 | 55 | | | |
| 19-11 | II | 11 | | | | 11 |
| 19-32 | I | 32 | | 32 | | |
| 19-35 | M | 66 | 66 | | | |
| 21-11 | I | 11 | | | | 11 |
| 21-16 | II | 16 | | | 16 | |
| 21-41 | I | 41 | | 41 | | |
| 21-35 | M | 79 | 79 | | | |
| 23-21 | II | 21 | | | 21 | |
| 23-53 | I | 53 | | 53 | | |
| 23-55 | I | 55 | | 55 | | |
| 25-4 | I | 56 | | 48 | 8 | |
| 25-19 | I | 19 | | | | 19 |
| 25-24 | I | 24 | | | 12 | 12 |
| 25-29 | I | 29 | | 29 | | |
| 25-35 | M | 128 | 128 | | | |
| 25-61 | I | 61 | 61 | | | |



This information is for reference only. Consult factory for envelope drawings, updated specifications, and additions to the product line.



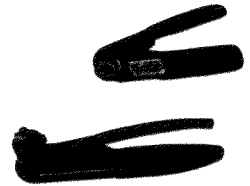
Part Number Cross Reference



Assembly Tools

Wire/contact assembly tools are standard military type insertion/removal tools found in most assembly areas.

- Yellow  Size 22D
- Red  Size 20
- Blue  Size 16
- Yellow  Size 12



| Contact Size | Insertion/removal tool | Crimp tool | Crimp tool positioner | Sealing plug (Military P/N) |
|--------------|---------------------------|-------------|----------------------------|-----------------------------|
| 22D | M81969 14-01 MS3160-23 | M22520/7-01 | M22520/7-07 M22520-7/05 | MS27488-22 |
| 20 | M81969 14-02 | M22520/1-01 | M22520/1-04 | MS27488-20 |
| 16 | M81969 14-03 | M22520/1-01 | M22520/1-04 | MS27488-15 |
| 12 | M81969 14-04 | M22520/1-01 | M22520/1-04 | MS27488-12 |

This information is for reference only. Consult factory for envelope drawings, updated specifications, and additions to the product line.



Компания «Океан Электроники» предлагает заключение долгосрочных отношений при поставках импортных электронных компонентов на взаимовыгодных условиях!

Наши преимущества:

- Поставка оригинальных импортных электронных компонентов напрямую с производств Америки, Европы и Азии, а так же с крупнейших складов мира;
- Широкая линейка поставок активных и пассивных импортных электронных компонентов (более 30 млн. наименований);
- Поставка сложных, дефицитных, либо снятых с производства позиций;
- Оперативные сроки поставки под заказ (от 5 рабочих дней);
- Экспресс доставка в любую точку России;
- Помощь Конструкторского Отдела и консультации квалифицированных инженеров;
- Техническая поддержка проекта, помощь в подборе аналогов, поставка прототипов;
- Поставка электронных компонентов под контролем ВП;
- Система менеджмента качества сертифицирована по Международному стандарту ISO 9001;
- При необходимости вся продукция военного и аэрокосмического назначения проходит испытания и сертификацию в лаборатории (по согласованию с заказчиком);
- Поставка специализированных компонентов военного и аэрокосмического уровня качества (Xilinx, Altera, Analog Devices, Intersil, Interpoint, Microsemi, Actel, Aeroflex, Peregrine, VPT, Syfer, Eurofarad, Texas Instruments, MS Kennedy, Miteq, Cobham, E2V, MA-COM, Hittite, Mini-Circuits, General Dynamics и др.);

Компания «Океан Электроники» является официальным дистрибьютором и эксклюзивным представителем в России одного из крупнейших производителей разъемов военного и аэрокосмического назначения «**JONHON**», а так же официальным дистрибьютором и эксклюзивным представителем в России производителя высокотехнологичных и надежных решений для передачи СВЧ сигналов «**FORSTAR**».



JONHON

«**JONHON**» (основан в 1970 г.)

Разъемы специального, военного и аэрокосмического назначения:

(Применяются в военной, авиационной, аэрокосмической, морской, железнодорожной, горно- и нефтедобывающей отраслях промышленности)

«**FORSTAR**» (основан в 1998 г.)

ВЧ соединители, коаксиальные кабели, кабельные сборки и микроволновые компоненты:

(Применяются в телекоммуникациях гражданского и специального назначения, в средствах связи, РЛС, а так же военной, авиационной и аэрокосмической отраслях промышленности).



Телефон: 8 (812) 309-75-97 (многоканальный)

Факс: 8 (812) 320-03-32

Электронная почта: ocean@oceanchips.ru

Web: <http://oceanchips.ru/>

Адрес: 198099, г. Санкт-Петербург, ул. Калинина, д. 2, корп. 4, лит. А