

## DESCRIPTION

The MP2249 is a 1MHz constant frequency, current mode, PWM step-down converter. The device integrates a main switch and a synchronous rectifier for high efficiency and eliminates the need for an external Schottky diode. It is ideal for powering portable equipment that runs from a single cell Lithium-Ion (Li+) battery.

The MP2249 can supply 3A of load current from a 2.5V to 6V input voltage. It can run at 100% duty cycle for low dropout applications. The MP2249 provides internal soft-start control to reduce rush current and output discharge function to control discharging of the output capacitor.

The MP2249 is available in small 3mmx3mm TQFN10 or SOIC8E package.

## FEATURES

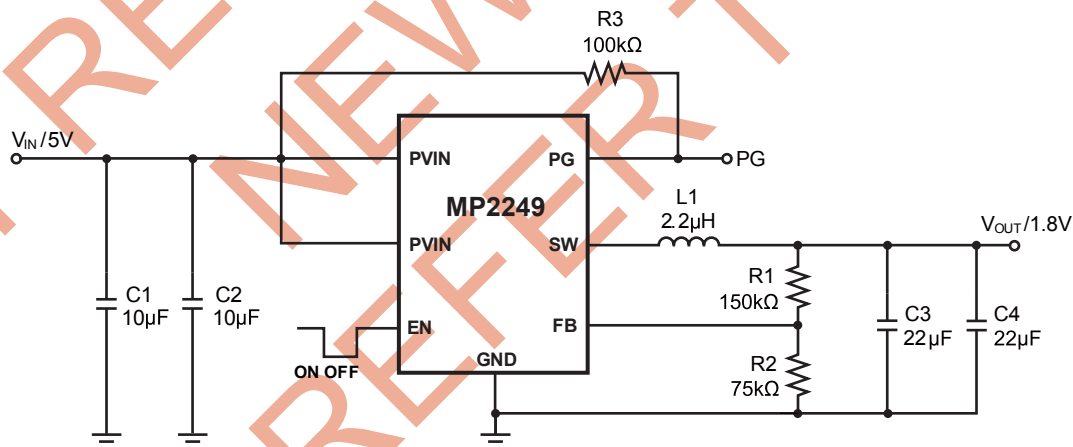
- High Efficiency: Up to 90%
- Power Save Mode at Light Load
- 1MHz Constant Switching Frequency
- Up to 4.5A Peak Current
- 2.5V to 6V Input Voltage Range
- Output Adjustable from 0.6V to  $V_{IN}$
- 100% Duty Cycle in Dropout
- Output Discharge Function
- Internal Soft-Start Control
- Power Good Indicator
- Short Circuit Protection
- Thermal Fault Protection
- Available in 3mmx3mm TQFN10 or SOIC8E Package

## APPLICATIONS

- Cellular and Smart Phones
- Microprocessors and DSP Core Supplies
- PDAs
- MP3 Players
- Digital Still and Video Cameras
- Portable Instruments

"MPS" and "The Future of Analog IC Technology" are Registered Trademarks of Monolithic Power Systems, Inc.

## TYPICAL APPLICATION



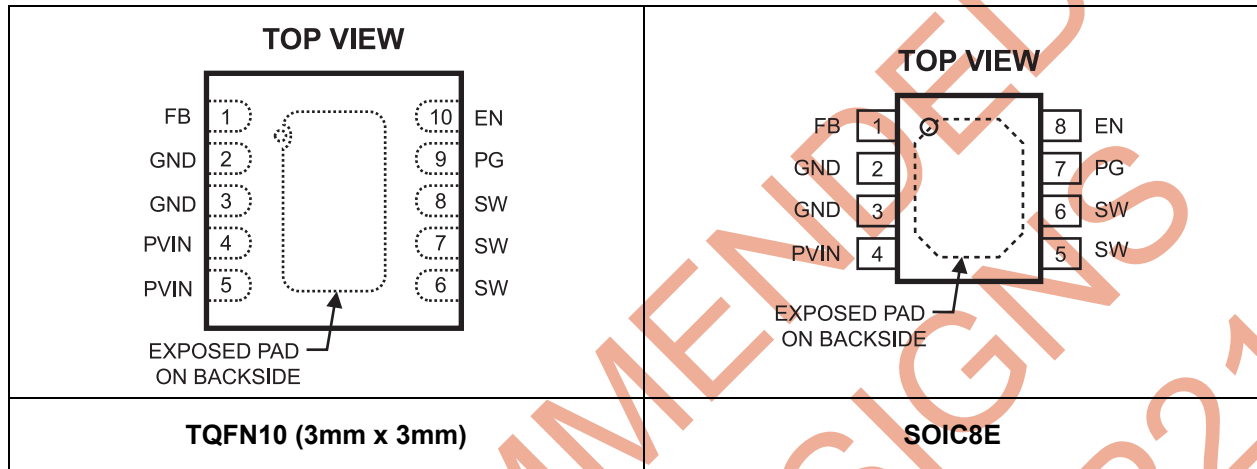
### ORDERING INFORMATION

Part Number	Package	Top Marking	Free Air Temperature (T <sub>A</sub> )
MP2249DN	SOIC8E	MP2249	-40°C to +85°C
MP2249DQT *	TQFN10 (3mm x 3mm)	AAVY	

\* For Tape and Reel, add suffix -Z (e.g. MP2249DQT-Z).

For RoHS Compliant Packaging, add suffix -LF (e.g. MP2249DQT-LF-Z);

### PACKAGE REFERENCE



#### ABSOLUTE MAXIMUM RATINGS <sup>(1)</sup>

PVIN to GND	-0.3V to +6.5V
SW to GND	-0.3V to V <sub>IN</sub> +0.3V
FB, EN & PG to GND	-0.3V to +6.5V
Junction Temperature	+150°C
Continuous Power Dissipation (T <sub>A</sub> = +25°C) <sup>(2)</sup>	
SOIC8E	2.5W
TQFN10 (3mmx3mm)	2.5W
Lead Temperature	+260°C
Storage Temperature	-65°C to +150°C

#### Recommended Operating Conditions <sup>(3)</sup>

Supply Voltage V <sub>IN</sub>	2.5V to 6V
Output Voltage V <sub>OUT</sub>	0.6V to 6V
Operating Junct. Temp.	-40°C to +125°C

Thermal Resistance <sup>(4)</sup>	θ <sub>JA</sub>	θ <sub>JC</sub>
SOIC8E	50	10... °C/W
TQFN10 (3mmx3mm)	50	12... °C/W

#### Notes:

- Exceeding these ratings may damage the device.
- The maximum allowable power dissipation is a function of the maximum junction temperature, T<sub>J</sub>(MAX) the junction-to-ambient thermal resistance θ<sub>JA</sub> and the ambient temperature T<sub>A</sub>. The maximum allowable power dissipation at any ambient temperature is calculated using: P<sub>D</sub>(MAX)=(T<sub>J</sub>(MAX)-T<sub>A</sub>)/ θ<sub>JA</sub>. Exceeding the maximum allowable power dissipation will cause excessive die temperature, and the regulator will go into thermal shutdown. Internal thermal shutdown circuitry protects the device from permanent damage.
- The device is not guaranteed to function outside of its operating conditions.
- Measured on JESD51-7, 4-layer PCB.

**ELECTRICAL CHARACTERISTICS**
 $V_{IN} = V_{EN} = 3.6V$ ,  $T_A = +25^{\circ}C$ , unless otherwise noted.

Parameter	Symbol	Condition	Min	Typ	Max	Units
Supply Current	$I_Q$	$V_{EN} = V_{IN}$ , $V_{FB} = 0.51V$		480	600	$\mu A$
Shutdown Current		$V_{EN} = 0V$ , $V_{IN} = 6V$		0.01	1	$\mu A$
IN Under Voltage Lockout (UVLO) Threshold		Rising Edge	2.15	2.3	2.45	V
IN Under Voltage Lockout Hysteresis				210		mV
Soft-Start Time				1		ms
Discharge MOSFET On Resistance				100		$\Omega$
Regulated FB Voltage	$V_{FB}$	$T_A = +25^{\circ}C$	0.594	0.600	0.606	V
		$-40^{\circ}C \leq T_A \leq +85^{\circ}C$	0.588	0.600	0.612	
FB Input Bias Current		$V_{FB} = 0.65V$	-50	0.5	+50	nA
PFET On Resistance <sup>(5)</sup>		$I_{SW} = 100mA$		92		m $\Omega$
NFET On Resistance <sup>(5)</sup>		$I_{SW} = -100mA$		72		m $\Omega$
SW Leakage Current		$V_{EN} = 0V$ , $V_{IN} = 6V$ , $V_{SW} = 0V$ or $6V$	-1		+1	$\mu A$
PFET Current Limit <sup>(5)</sup>	$I_{LIMIT}$	Duty Cycle = 100%, Current Pulse Width < 1ms		4.5		A
Oscillator Frequency	$f_{SW}$			1		MHz
Minimum On Time <sup>(5)</sup>	$t_{ON}$			100		ns
Thermal Shutdown Trip Threshold <sup>(5)</sup>				145		$^{\circ}C$
EN Turn-on Trip Threshold		$-40^{\circ}C \leq T_A \leq +85^{\circ}C$			1.8	V
EN Turn-off Trip Threshold		$-40^{\circ}C \leq T_A \leq +85^{\circ}C$	0.4			V
EN-pull down resistor			360	450	540	k $\Omega$
Latch Off Under Voltage (UV) Threshold				67%		$V_{FB}$
PG Upper Trip Threshold				90%		$V_{FB}$
PG Lower Trip Threshold				85%		$V_{FB}$
PG Output Low Voltage		$I_{SINK} = 1mA$			0.3	V

**Notes:**

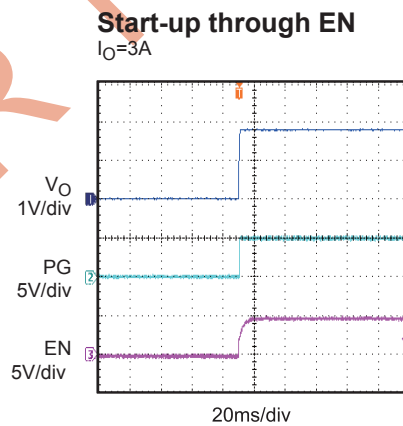
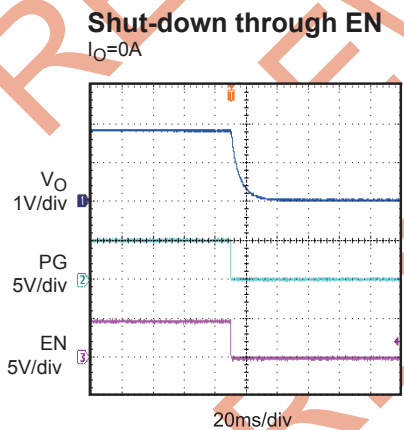
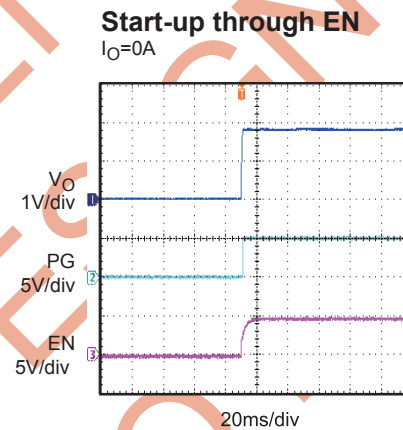
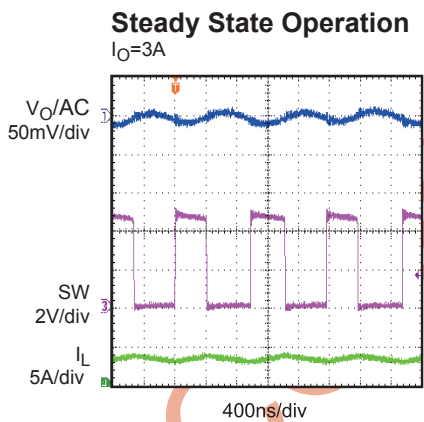
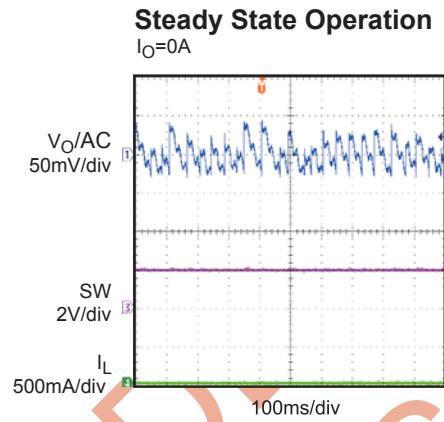
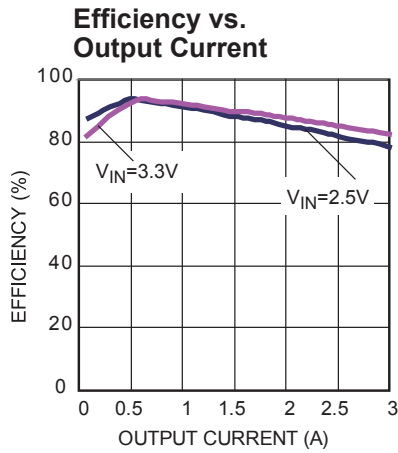
 5) 100% production test at +25 $^{\circ}C$ . Typical and temperature specifications are guaranteed by design and characterization.

**PIN FUNCTIONS**

Pin #		Name	Description
TQFN10	SOIC8E		
6, 7, 8	5, 6	SW	Power Switch Output. Inductor connection to drains of the internal PFET and NFET switches.
9	7	PG	Power-good indicator. PG is pulled low when output is outside the window of regulation or the device enters shutdown.
10	8	EN	Regulator Enable Control Input. Drive EN above 1.8V to turn on the MP2249. Drive EN below 0.4V to turn it off. EN is pulled to GND with a 450kΩ internal resistor.
1	1	FB	Feedback Input. Connect FB to the center point of the external resistor divider. The feedback threshold voltage is 0.6V.
2, 3 Exposed Pad	2, 3 Exposed Pad	GND	Ground. Connect Exposed Pad to ground plane for optimal thermal performance.
4, 5	4	PVIN	Power Stage Supply Input. Bypass to GND with a 2.2μF or bigger ceramic capacitor.

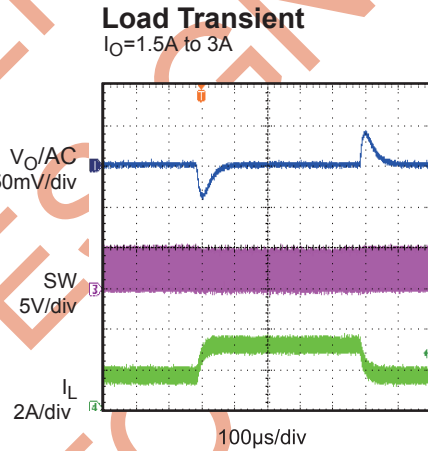
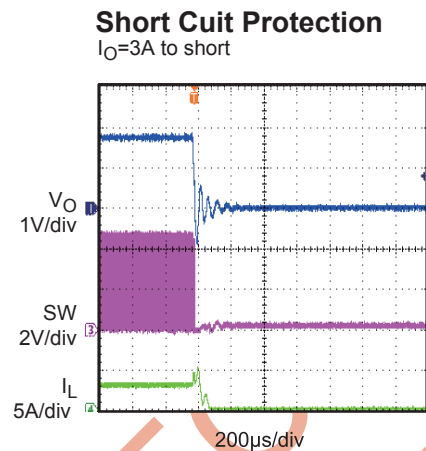
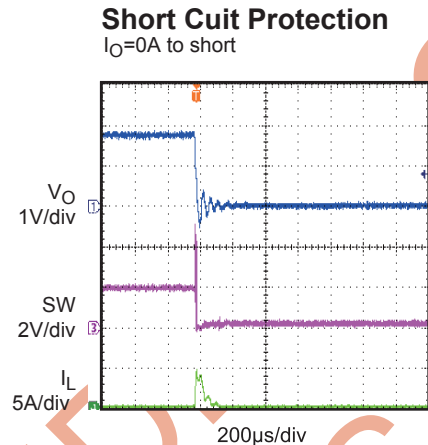
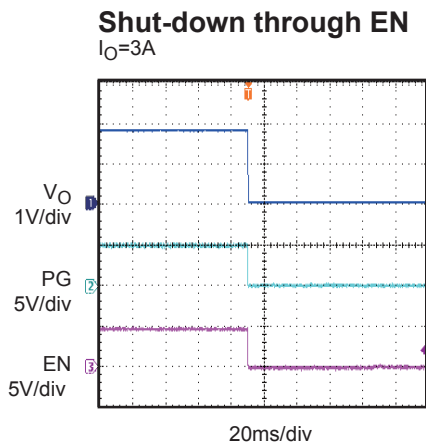
### TYPICAL PERFORMANCE CHARACTERISTICS

$V_{IN} = 5V$ ,  $V_{EN} = 5V$ ,  $V_O = 1.8V$ ,  $L_1 = 2.2\mu H$ , and  $T_A = +25^\circ C$ , unless otherwise noted.

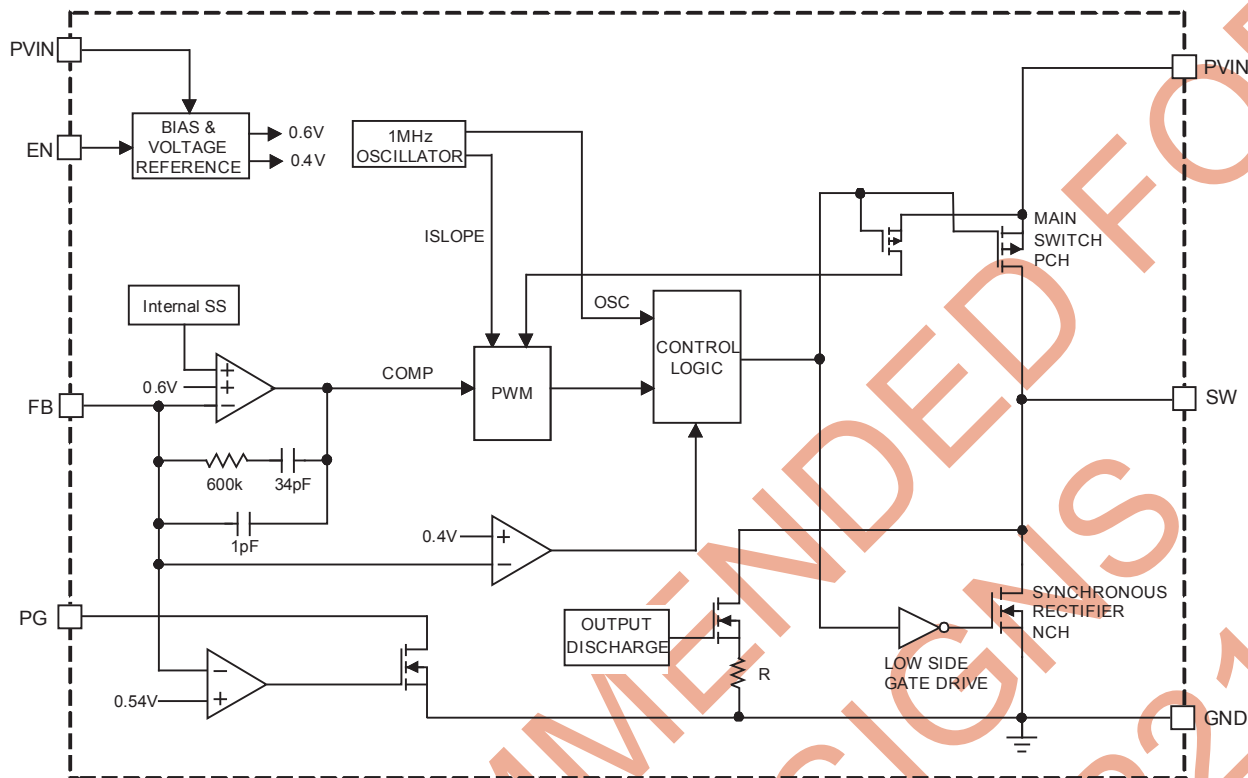


**TYPICAL PERFORMANCE CHARACTERISTICS** *(continued)*

$V_{IN} = 5V$ ,  $EN = 5V$ ,  $V_O = 1.8V$ ,  $L1 = 2.2\mu H$ , and  $T_A = +25^\circ C$ , unless otherwise noted.



## FUNCTION BLOCK DIAGRAM



**Figure 1—Function Block Diagram**

## OPERATION

The MP2249 is a constant frequency current mode PWM step-down converter. The MP2249 is optimized for low voltage, Li-Ion battery powered applications where high efficiency and small size are critical. The MP2249 uses an external resistor divider to set the output voltage from 0.6V to 6V. The device integrates both a main switch and synchronous rectifier, which provides high efficiency and eliminates an external Schottky diode. The MP2249 can achieve 100% duty cycle. The duty cycle  $D$  of a step-down converter is defined as:

$$D = T_{ON} \times f_{OSC} \times 100\% \approx \frac{V_{OUT}}{V_{IN}} \times 100\%$$

Where  $T_{ON}$  is the main switch on time,  $f_{OSC}$  is the oscillator frequency (1MHz),  $V_{OUT}$  is the output voltage and  $V_{IN}$  is the input voltage

### Current Mode PWM Control

Slope compensated current mode PWM control provides stable switching and cycle-by-cycle current limit for superior load and line response and protection of the internal main switch and synchronous rectifier. The MP2249 switches at a constant frequency (1MHz) and regulates the output voltage. During each cycle the PWM comparator modulates the power transferred to the load by changing the inductor peak current based on the feedback error voltage. During normal operation, the main switch is turned on for a certain time to ramp the inductor current at each rising edge of the internal oscillator, and switched off when the peak inductor current is above the error voltage. When the main switch is off, the synchronous rectifier will be turned on immediately.

### Power Save Mode Operation

The MP2249 enters asynchronous mode as soon as current of LS MOS goes below zero. When the load is light enough and comp voltage is lower than the set value, the part goes into power skipping mode. This mode improves efficiency at light load condition.

### Dropout Operation

The MP2249 allows the main switch to remain on for more than one switching cycle and increases the duty cycle while the input voltage is dropping close to the output voltage. When the duty cycle reaches 100%, the main switch is held on continuously to deliver current to the output up to the switch's current limit. The output voltage then is the input voltage minus the voltage drop across the main switch and the inductor.

### Over-Current-Protection and Latchoff

The MP2249 provides cycle-by-cycle over current limit when inductor current peak value exceeds the current limit threshold. Meanwhile, output voltage starts to drop until FB is below the Under-Voltage (UV) threshold, typically 33% below the reference. Once the UV is triggered, the MP2249 enters latched off mode.

This protection mode is especially useful when the output is dead-short to ground. The MP2249 exits the latch off mode once the EN or input power is recycled. This operation mode will be masked off for the soft start stage.

### Maximum Load current

The MP2249 can operate down to 2.5V input voltage. However, the maximum load current decreases at lower input due to large IR drop across the main switch and synchronous rectifier. The slope compensation signal reduces the peak inductor current as a function of the duty cycle to prevent sub-harmonic oscillations at duty cycles greater than 50%. Conversely the current limit increases as the duty cycle decreases.

### Internal Soft-Start

The soft-start is implemented to prevent the converter output voltage from overshooting during startup. When the chip starts, the internal circuitry generates a soft-start voltage (SS) ramping up from 0V to 1.2V. When it is lower than the internal reference (REF), SS overrides REF so the error amplifier uses SS as the reference. When SS is higher than REF, REF regains control.

### Output Discharge Function

When the device is disabled, the part goes into output discharge mode automatically and its internal discharge MOSFET provides a resistive discharge path for the output capacitor. This function is only suitable for discharge output capacitor for the limited time. If the part is used in a pre-bias application, the external power supply providing the pre-bias should supply larger current than the discharge MOSFET sinks.

### PG Indicator

MP2249 provides an open-drain PG output that goes high after output level reaches regulation after startup. PG is pulled low immediately if the output goes out of regulation level or when device enters shutdown.



## APPLICATION INFORMATION

### Output Voltage Setting

The external resistor divider sets the output voltage (see Page 1, Schematic Diagram). The feedback resistor R1 also set the feedback loop bandwidth with the internal compensation.

The feedback loop bandwidth ( $f_c$ ) is no higher than  $1/10^{\text{th}}$  of switching frequency of MP2249. In the case of output ceramic capacitor as  $C_o$ , it is usually set in the range of 50kHz and 100kHz for optimal transient performance and good phase margin. If an electrolytic capacitor is used, the loop bandwidth is no higher than  $1/4$  of the ESR zero frequency ( $f_{\text{ESR}}$ ).  $f_{\text{ESR}}$  is given by:

$$f_{\text{ESR}} = \frac{1}{2\pi \times R_{\text{ESR}} \times C_o}$$

For example, choose  $f_c=80\text{kHz}$  with a ceramic capacitor,  $C_o=47\mu\text{F}$ , R1 is estimated to be 150k $\Omega$ . R2 is then given by:

$$R2 = \frac{R1}{\frac{V_{\text{OUT}}}{0.6\text{V}} - 1}$$

**Table 1—Resistor Selection vs. Output Voltage Setting**

V <sub>OUT</sub>	R1	R2	L	C <sub>OUT</sub> (Ceramic)
1.2V	150k $\Omega$	150k $\Omega$	1.5 $\mu\text{H}$ -2.2 $\mu\text{H}$	22 $\mu\text{F}$ x 2
1.5V	150k $\Omega$	100k $\Omega$	1.5 $\mu\text{H}$ -2.2 $\mu\text{H}$	22 $\mu\text{F}$ x 2
1.8V	150k $\Omega$	75k $\Omega$	1.5 $\mu\text{H}$ -2.2 $\mu\text{H}$	22 $\mu\text{F}$ x 2
2.5V	150k $\Omega$	47.5k $\Omega$	1.5 $\mu\text{H}$ -2.2 $\mu\text{H}$	22 $\mu\text{F}$ x 2
3.3V	150k $\Omega$	33.2k $\Omega$	1.5 $\mu\text{H}$ -2.2 $\mu\text{H}$	22 $\mu\text{F}$ x 2

### Inductor Selection

A 1.5 $\mu\text{H}$  to 2.2 $\mu\text{H}$  inductor with DC current rating at least 25% higher than the maximum load current is recommended for most applications. For best efficiency, the inductor DC resistance shall be <20m $\Omega$ . See Table 2 for recommended inductors and Vendors. For most designs, the inductance value can be derived from the following equation:

$$L = \frac{V_{\text{OUT}} \times (V_{\text{IN}} - V_{\text{OUT}})}{V_{\text{IN}} \times \Delta I_L \times f_{\text{OSC}}}$$

where  $\Delta I_L$  is Inductor Ripple Current. Choose inductor ripple current approximately 30% of the maximum load current 3A.

The maximum inductor peak current is:

$$I_{L(\text{MAX})} = I_{\text{LOAD}} + \frac{\Delta I_L}{2}$$

**Table 2—Suggested Surface Mount Inductors**

Vendor	Part Number	L ( $\mu\text{H}$ )	DCR (m $\Omega$ )	SC (A)	L x W x H (mm <sup>3</sup> )
<b>WURTH</b>					
	744777002	2.2	13	6	7.3x7.3x4.5
	744310200	2	14.2	6.5	7x6.9x3
<b>TDK</b>					
	RLF7030T-1R5N6R1-T	1.5	8	6.5	7.8x6.8x3.2

### Input Capacitor Selection

The input capacitor reduces the surge current drawn from the input and the switching noise from the device. The input capacitor impedance at the switching frequency shall be less than input source impedance to prevent high frequency switching current passing to the input source. Ceramic capacitors with X5R or X7R dielectrics are highly recommended because of their low ESR and small temperature coefficients. For most applications, a 47 $\mu\text{F}$  capacitor is sufficient.

### Output Capacitor Selection

The output capacitor keeps output voltage ripple small and ensures a stable regulation loop. The output capacitor impedance shall be low at the switching frequency. Ceramic capacitors with X5R or X7R dielectrics are recommended. If an electrolytic capacitor is used, pay attention to output ripple voltage, extra heating, and the selection of feedback resistor R1 (refer to “Output Voltage Setting” section) due to the large ESR of electrolytic capacitor. The output ripple  $\Delta V_{\text{OUT}}$  is approximately:

$$\Delta V_{\text{OUT}} \leq \frac{V_{\text{OUT}} \times (V_{\text{IN}} - V_{\text{OUT}})}{V_{\text{IN}} \times f_{\text{OSC}} \times L} \times \left( \text{ESR} + \frac{1}{8 \times f_{\text{OSC}} \times C_o} \right)$$

TYPICAL APPLICATION CIRCUIT

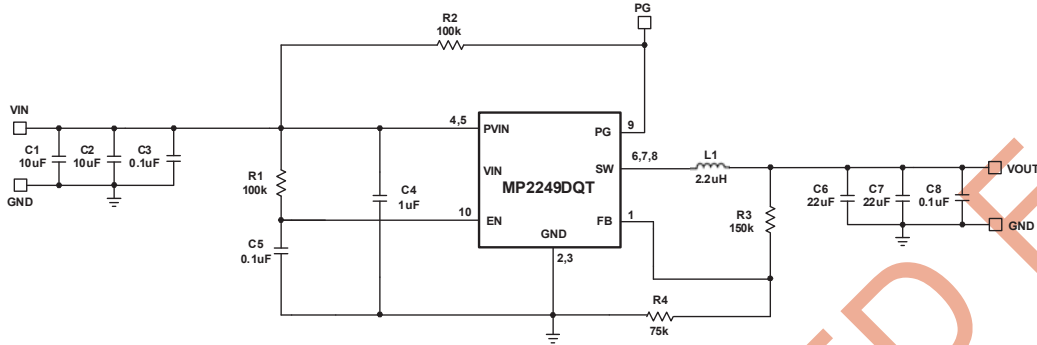


Figure 2—Typical application circuit of MP2249DQT

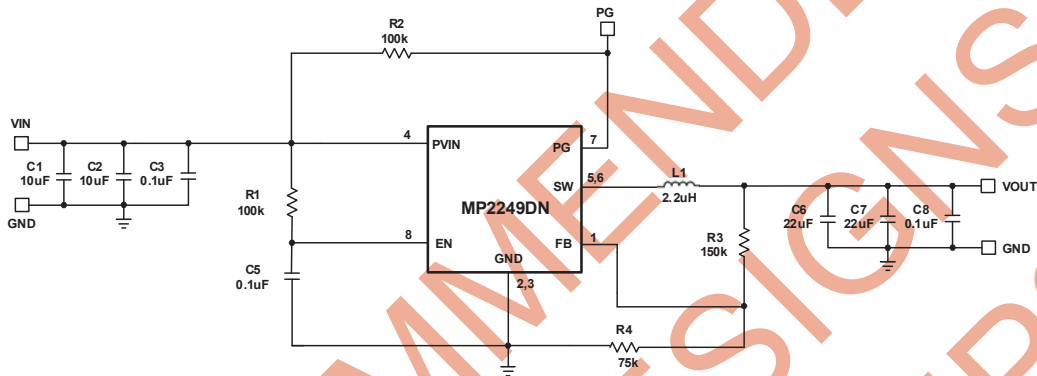
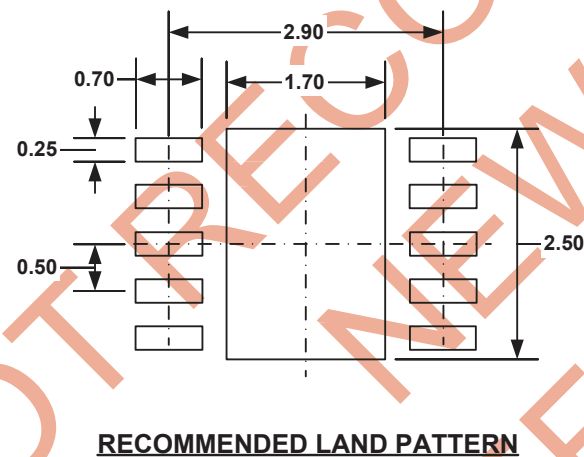
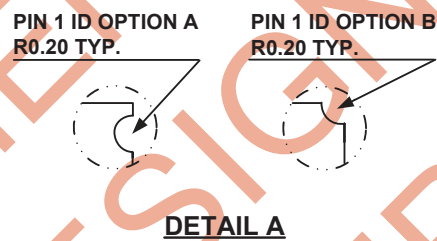
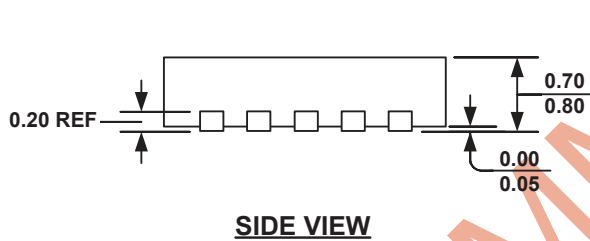
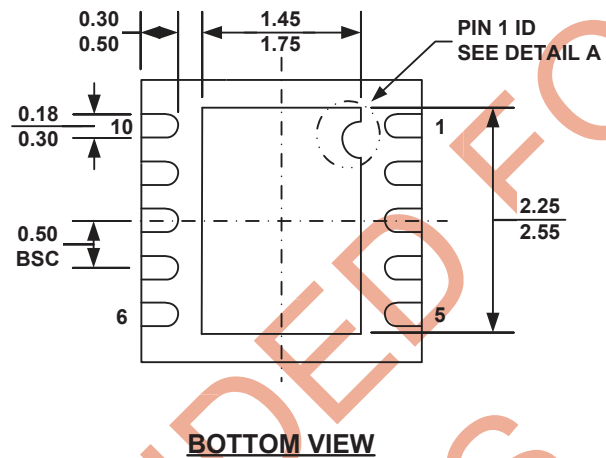
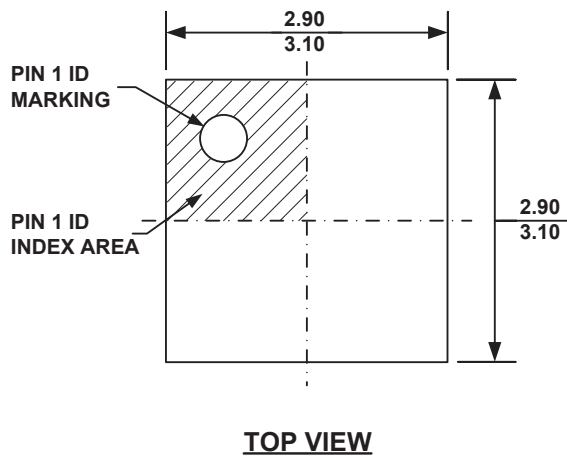
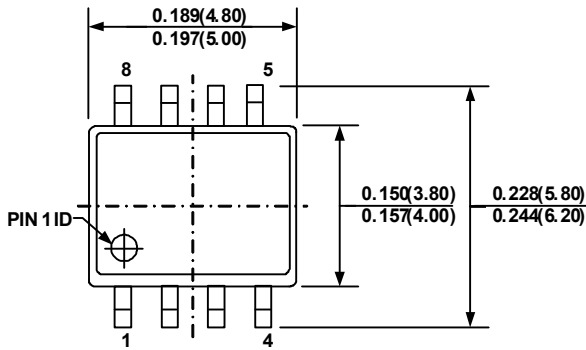


Figure 3—Typical application circuit of MP2249DN

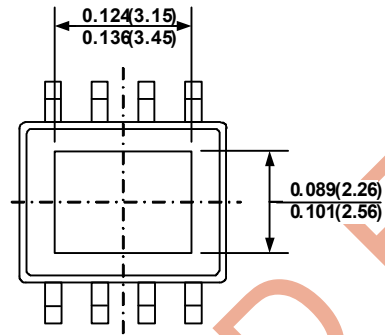
**PACKAGE INFORMATION**
**TQFN10 (3mm x 3mm)**

**NOTE:**

- 1) ALL DIMENSIONS ARE IN MILLIMETERS.
- 2) EXPOSED PADDLE SIZE DOES NOT INCLUDE MOLD FLASH.
- 3) LEAD COPLANARITY SHALL BE 0.10 MILLIMETER MAX.
- 4) DRAWING CONFORMS TO JEDEC MO-229, VARIATION VEED-5.
- 5) DRAWING IS NOT TO SCALE.

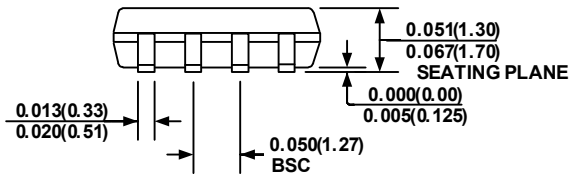
SOIC8E (exposed pad)



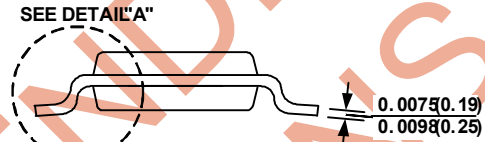
TOP VIEW



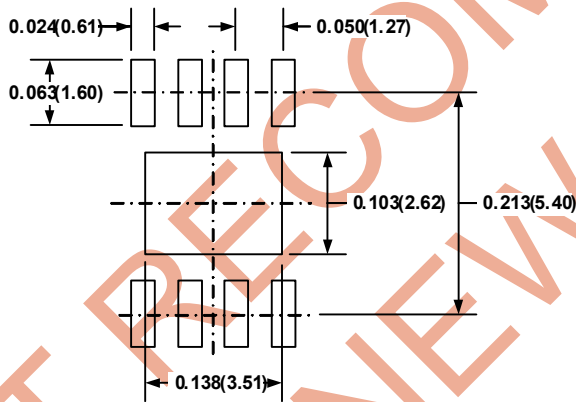
BOTTOM VIEW



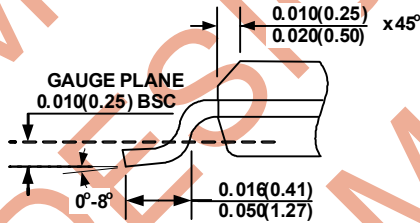
FRONT VIEW



SIDE VIEW



RECOMMENDED LAND PATTERN



DETAIL "A"

NOTE

- 1) CONTROL DIMENSION IS IN INCHES DIMENSION IN BRACKET IS IN MILLIMETERS
- 2) PACKAGE LENGTH DOES NOT INCLUDE MOLD FLASH PROTRUSIONS OR GATE BURRS
- 3) PACKAGE WIDTH DOES NOT INCLUDE INTERLEAD FLASH OR PROTRUSIONS
- 4) LEAD COPLANARITY BOTTOM OF LEADS AFTER FORMING SHALL BE .004" INCHES MAX
- 5) DRAWING CONFORMS TO JEDEC MS2, VARIATION BA
- 6) DRAWING IS NOT TO SCALE

**NOTICE:** The information in this document is subject to change without notice. Users should warrant and guarantee that third party Intellectual Property rights are not infringed upon when integrating MPS products into any application. MPS will not assume any legal responsibility for any said applications.

Компания «Океан Электроники» предлагает заключение долгосрочных отношений при поставках импортных электронных компонентов на взаимовыгодных условиях!

Наши преимущества:

- Поставка оригинальных импортных электронных компонентов напрямую с производств Америки, Европы и Азии, а так же с крупнейших складов мира;
- Широкая линейка поставок активных и пассивных импортных электронных компонентов (более 30 млн. наименований);
- Поставка сложных, дефицитных, либо снятых с производства позиций;
- Оперативные сроки поставки под заказ (от 5 рабочих дней);
- Экспресс доставка в любую точку России;
- Помощь Конструкторского Отдела и консультации квалифицированных инженеров;
- Техническая поддержка проекта, помощь в подборе аналогов, поставка прототипов;
- Поставка электронных компонентов под контролем ВП;
- Система менеджмента качества сертифицирована по Международному стандарту ISO 9001;
- При необходимости вся продукция военного и аэрокосмического назначения проходит испытания и сертификацию в лаборатории (по согласованию с заказчиком);
- Поставка специализированных компонентов военного и аэрокосмического уровня качества (Xilinx, Altera, Analog Devices, Intersil, Interpoint, Microsemi, Actel, Aeroflex, Peregrine, VPT, Syfer, Eurofarad, Texas Instruments, MS Kennedy, Miteq, Cobham, E2V, MA-COM, Hittite, Mini-Circuits, General Dynamics и др.);

Компания «Океан Электроники» является официальным дистрибьютором и эксклюзивным представителем в России одного из крупнейших производителей разъемов военного и аэрокосмического назначения «JONHON», а так же официальным дистрибьютором и эксклюзивным представителем в России производителя высокотехнологичных и надежных решений для передачи СВЧ сигналов «FORSTAR».



## JONHON

«JONHON» (основан в 1970 г.)

Разъемы специального, военного и аэрокосмического назначения:

(Применяются в военной, авиационной, аэрокосмической, морской, железнодорожной, горно- и нефтедобывающей отраслях промышленности)

«FORSTAR» (основан в 1998 г.)

ВЧ соединители, коаксиальные кабели, кабельные сборки и микроволновые компоненты:

(Применяются в телекоммуникациях гражданского и специального назначения, в средствах связи, РЛС, а так же военной, авиационной и аэрокосмической отраслях промышленности).



Телефон: 8 (812) 309-75-97 (многоканальный)

Факс: 8 (812) 320-03-32

Электронная почта: [ocean@oceanchips.ru](mailto:ocean@oceanchips.ru)

Web: <http://oceanchips.ru/>

Адрес: 198099, г. Санкт-Петербург, ул. Калинина, д. 2, корп. 4, лит. А