

# Microstick for 3V PIC24 K Series Devices

## Overview

The Microstick for 3V PIC24 K Series Devices is designed to provide an easy-to-use, economical development environment for 16-bit microcontrollers. The board includes an integrated debugger/programmer, a socket for the target microcontroller chip and pins that facilitate insertion into a prototyping board for extremely flexible development.

## Installing MPLAB® IDE and C Compilers

The MPLAB® Integrated Development Environment (IDE) should be installed prior to using the Microstick for 3V PIC24 K Series Devices. This board is designed to run with MPLAB IDE Version 8.80 or later. While the MPLAB IDE provides assembler tools for development, most code examples provided for Microchip devices are written in C language and require a C compiler to be installed. Microchip's MPLAB C Compiler seamlessly integrates into the MPLAB IDE. Both the MPLAB IDE and C Compiler are free and available for download at: <http://www.microchip.com/MPLAB> and <http://www.microchip.com/MPLABC30>, respectively.<sup>(1)</sup>

**Note 1:** MPLAB C Evaluation Version (free) – All optimization levels are enabled for 60 days, then limits to optimization Level 1. The compiler will continue to function, but code size may increase. There are no restrictions on the use of this C compiler (see license text for details).

## Running Applications

After downloading and installing the development tools, please use the following procedure to build, run and debug your software:

1. Load the code example into MPLAB IDE by double clicking the \*.m<sub>cw</sub> project file.
2. Inform MPLAB IDE which target microcontroller is plugged into the Microstick board by selecting the appropriate device from the *Configure>Select Device>Device* menu.
3. Build the project by selecting *Project>Build All*.
4. Connect the Microstick board to the development computer via a USB cable.
5. Enable the MPLAB IDE debugger by selecting: *Debugger>Select Tool>Starter Kit on Board*.
6. Download the firmware into the target microcontroller chip by selecting *Debugger>Program*.
7. Run the application previously downloaded by selecting *Debugger>Run*.
8. Install Jumper JP1 to enable the on-board LED for RA0.

For more information on building, running and debugging your application, refer to the MPLAB IDE Help.

### Americas

Atlanta - 678-957-9614  
Boston - 774-760-0087  
Chicago - 630-285-0071  
Cleveland - 216-447-0464  
Dallas - 972-818-7423  
Detroit - 248-538-2250  
Indianapolis - 317-773-8323  
Los Angeles - 949-462-9523  
Phoenix - 480-792-7200  
Santa Clara - 408-961-6445  
Toronto - 905-673-0699

### Asia/Pacific

Australia - Sydney - 61-2-9868-6733  
China - Beijing - 86-10-8569-7000  
China - Chengdu - 86-28-8665-5511  
China - Chongqing - 86-23-8980-9500  
China - Hangzhou - 86-571-2819-3187  
China - Hong Kong SAR - 852-2401-1200  
China - Nanjing - 86-25-8473-2460  
China - Qingdao - 86-532-8502-7355  
China - Shanghai - 86-21-5407-5533  
China - Shenyang - 86-24-2334-2829  
China - Shenzhen - 86-755-8203-2660  
China - Wuhan - 86-27-5980-5300  
China - Xian - 86-29-8833-7252  
China - Xiamen - 86-592-2388138  
China - Zhuhai - 86-756-3210040  
India - Bangalore - 91-80-3090-4444  
India - New Delhi - 91-11-4160-8631  
India - Pune - 91-20-2566-1512  
Japan - Yokohama - 81-45-471-6166  
Korea - Daegu - 82-53-744-4301  
Korea - Seoul - 82-2-554-7200  
Malaysia - Kuala Lumpur - 60-3-6201-9857  
Malaysia - Penang - 60-4-227-8870  
Philippines - Manila - 63-2-634-9065  
Singapore - 65-6334-8870  
Taiwan - Hsin Chu - 886-3-5778-366  
Taiwan - Kaohsiung - 886-7-213-7830  
Taiwan - Taipei - 886-2-2500-6610  
Thailand - Bangkok - 66-2-694-1351

### Europe

Austria - Weis - 43-7242-2244-39  
Denmark - Copenhagen - 45-4450-2828  
France - Paris - 33-1-69-53-63-20  
Germany - Munich - 49-89-627-144-0  
Italy - Milan - 39-0331-742611  
Netherlands - Drunen - 31-416-690399  
Spain - Madrid - 34-91-708-08-90  
UK - Wokingham - 44-118-921-5869

08/02/11



Microchip Technology Inc. • 2355 West Chandler Blvd. • Chandler, AZ 85224-6199

[www.microchip.com](http://www.microchip.com)

The Microchip name and logo, the Microchip logo, and MPLAB are registered trademarks of Microchip Technology Incorporated in the U.S.A. and other countries. All other trademarks mentioned herein are property of their respective companies. © 2011, Microchip Technology Incorporated, Printed in the U.S.A. All Rights Reserved. 10/11

## Developing Applications

Microstick for 3V PIC24 K Series Devices only implements circuitry for low-voltage ICSP™ programming. To enable low-voltage ICSP programming, it is important to always configure the microcontroller to enable  $\overline{\text{MCLR}}$  pin function, rather than RA5 general purpose input pin function.

The following assembly language directive enables the  $\overline{\text{MCLR}}$  pin function in the device Configuration bits:

```
; MCLR Pin Enable bit (RA5 input disabled; MCLR enabled)
config __FPOR, MCLRE_ON
```

In C30, the same thing is accomplished with this code:

```
// MCLR Pin Enable bit (RA5 input disabled; MCLR enabled)
FPOR(MCLRE_ON)
```

**Warning:** Always program the microcontroller with  $\overline{\text{MCLR}}$  pin functionality enabled so that the Microstick for 3V PIC24 K Series Devices can be used to program/debug the chip in the future.

If the microcontroller is programmed with  $\overline{\text{MCLR}}$  pin function disabled (RA5 input enabled), the Microstick will no longer program or debug firmware on the microcontroller, because Microstick does not have circuitry to use high-voltage ICSP entry. REAL ICE™, MPLAB ICD 3 and PICKit™ 3 are an example of high-voltage ICSP tools that can be used to recover the part.

The slide switch, labeled S3 on the PCB, is used to select which pair of PGECx/PGEDx pins to use for In-Circuit Serial Programming™ (ICSP™). When moved towards the DIP socket, the Microstick is set for using PGEC3/PGED3. When moved towards the USB connector, the Microstick is configured for PGEC1/PGED1.

To allow for debugging to work in MPLAB, the device's Configuration bits must be set up to indicate which PGECx/PGEDx pins are actually being used in the circuit. For example, in assembly language, you may need directives such as this:

```
.include "p24Fxxxx.inc"
; ICD Pin Placement Select (EMUC/EMUD share PGC3/PGD3)
config __FICD, ICS_PGx3
```

In C30, the same thing can be accomplished with this code:

```
#include <p24Fxxxx.h>
// ICD Pin Placement Select (EMUC/EMUD share PGC3/PGD3)
_FICD(ICS_PGx3)
```

A C30 firmware source code example for blinking the Microstick's LED is provided on the Microchip web site (see <http://www.microchip.com/microstick3V>).

## Hardware Design

The Microstick for 3V PIC24 K Series Devices is USB bus-powered. An on-board MCP1727 LDO regulator provides +3.3 VDC output from the USB bus power. Turning power on/off to the target application is controlled by the MPLAB IDE via the FPF2102 load switch. The FPF2102 load switch automatically shuts down power to the target if the current exceeds a trip point of 200 mA to 400 mA. This may help protect the host PC USB port from accidental shorting of power supply pins in the target application circuit.

The Microstick may be plugged into a prototyping board to develop external application circuitry with the PIC® MCU. On the bottom side of the board, three rows of pins are provided, labeled P1, P2 and P3. Normally, the skinny DIP layout (300 mils) should be used by populating rows, P1 and P2. Optionally, rows, P1 and P3, may be populated instead to provide a wide DIP layout (600 mils). The unpopulated, single in-line pin header for soldering into P3 is available separately as Digi-Key Part Number ED7464-ND.

## Using the 16-Bit XLP Development Board

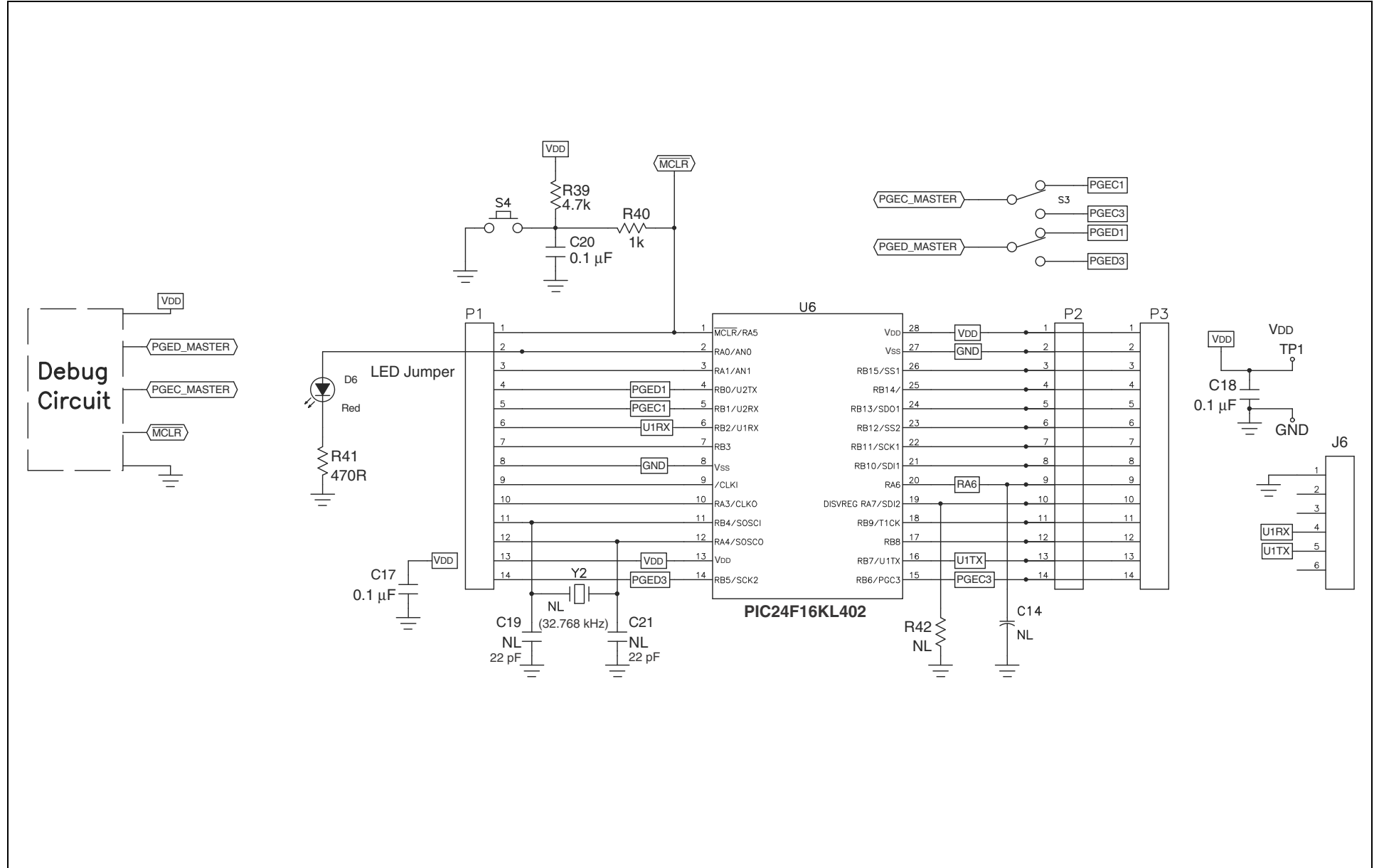
In the skinny DIP layout configuration (rows, P1 and P2, are populated), the Microstick may be plugged into Microchip's "16-Bit XLP Development Board". The 16-Bit XLP Development Board provides several external buttons, LEDs, peripherals and sensors that can be used to quickly evaluate the device without spending time wiring a breadboard.

**Warning:** Always remove batteries and/or the "POWER SOURCE SELECT" jumper from the 16-Bit XLP Development Board, prior to inserting the Microstick board. The Microstick for 3V PIC24 K Series Devices is intended to supply power to the target application, which could cause an unintended charging of batteries connected to the 16-Bit XLP Development Board.

The 16-Bit XLP Development Board may come with a USB-to-Serial or RS-232 serial port wired to the PIC microcontroller's U2TX/U2RX pins. To avoid conflict with the on-board serial port circuitry, slide S3 of the Microstick to the PGEC3/PGED3 setting (move the switch lever towards the DIP socket).

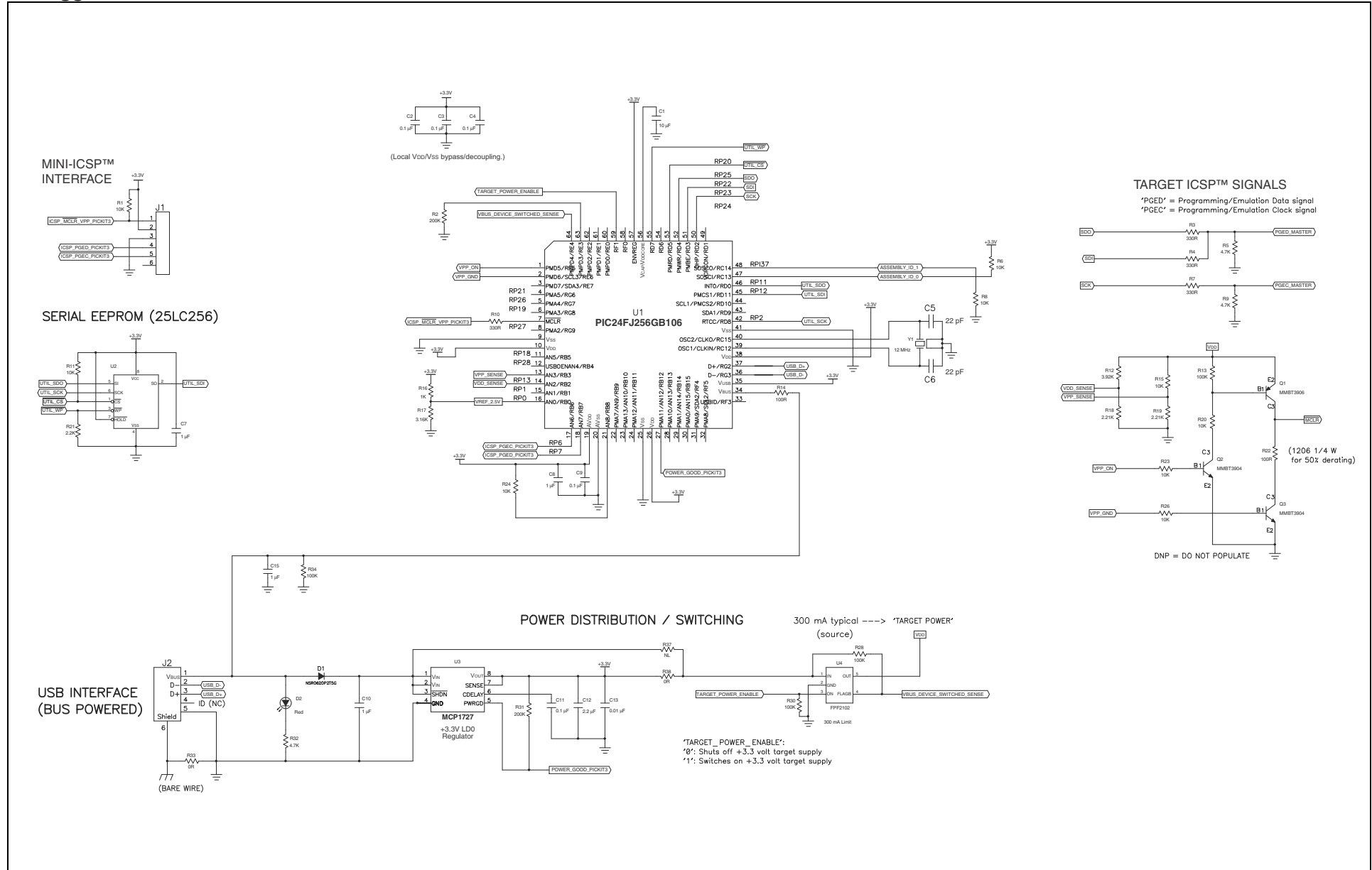
# Introducing the Microstick for 3V PIC24 K Series Devices

## Application Hardware



# Introducing the Microstick for 3V PIC24 K Series Devices

## Debugger Hardware



Компания «Океан Электроники» предлагает заключение долгосрочных отношений при поставках импортных электронных компонентов на взаимовыгодных условиях!

Наши преимущества:

- Поставка оригинальных импортных электронных компонентов напрямую с производств Америки, Европы и Азии, а так же с крупнейших складов мира;
- Широкая линейка поставок активных и пассивных импортных электронных компонентов (более 30 млн. наименований);
- Поставка сложных, дефицитных, либо снятых с производства позиций;
- Оперативные сроки поставки под заказ (от 5 рабочих дней);
- Экспресс доставка в любую точку России;
- Помощь Конструкторского Отдела и консультации квалифицированных инженеров;
- Техническая поддержка проекта, помощь в подборе аналогов, поставка прототипов;
- Поставка электронных компонентов под контролем ВП;
- Система менеджмента качества сертифицирована по Международному стандарту ISO 9001;
- При необходимости вся продукция военного и аэрокосмического назначения проходит испытания и сертификацию в лаборатории (по согласованию с заказчиком);
- Поставка специализированных компонентов военного и аэрокосмического уровня качества (Xilinx, Altera, Analog Devices, Intersil, Interpoint, Microsemi, Actel, Aeroflex, Peregrine, VPT, Syfer, Eurofarad, Texas Instruments, MS Kennedy, Miteq, Cobham, E2V, MA-COM, Hittite, Mini-Circuits, General Dynamics и др.);

Компания «Океан Электроники» является официальным дистрибьютором и эксклюзивным представителем в России одного из крупнейших производителей разъемов военного и аэрокосмического назначения «JONHON», а так же официальным дистрибьютором и эксклюзивным представителем в России производителя высокотехнологичных и надежных решений для передачи СВЧ сигналов «FORSTAR».



## JONHON

«JONHON» (основан в 1970 г.)

Разъемы специального, военного и аэрокосмического назначения:

(Применяются в военной, авиационной, аэрокосмической, морской, железнодорожной, горно- и нефтедобывающей отраслях промышленности)

«FORSTAR» (основан в 1998 г.)

ВЧ соединители, коаксиальные кабели,  
кабельные сборки и микроволновые компоненты:

(Применяются в телекоммуникациях гражданского и специального назначения, в средствах связи, РЛС, а так же военной, авиационной и аэрокосмической отраслях промышленности).



Телефон: 8 (812) 309-75-97 (многоканальный)

Факс: 8 (812) 320-03-32

Электронная почта: [ocean@oceanchips.ru](mailto:ocean@oceanchips.ru)

Web: <http://oceanchips.ru/>

Адрес: 198099, г. Санкт-Петербург, ул. Калинина, д. 2, корп. 4, лит. А