



Quad SPST CMOS Analog Switches

DG201A/DG211

General Description

The DG201A and DG211 are normally closed, quad single-pole single-throw (SPST) analog switches. These CMOS switches can be continuously operated with power supplies ranging from $\pm 4.5\text{V}$ to $\pm 18\text{V}$. Maxim guarantees that these switches will not latch up if the power supplies are disconnected with input signals still connected.

Both devices have guaranteed break-before-make switching. The DG201A differs from the DG211 primarily in switching speeds. The DG201A has a maximum turn-off time of 450ns and a maximum turn-on time of 600ns. The DG211 has a maximum turn-off time of 500ns and a maximum turn-on time of 1000ns.

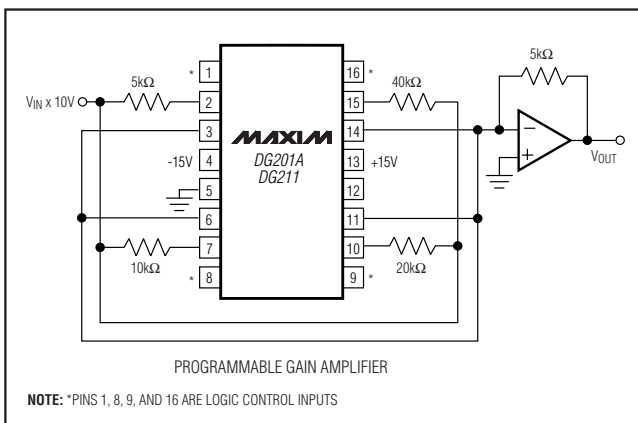
Compared to the original manufacturer's products, Maxim's DG201A and DG211 consume significantly lower power making them better suited for portable applications. Maxim has also eliminated the need for the third (V_L) power supply that is required for the operation of the original manufacturer's DG211.

Applications

- Winchester Disk Drives
- Test Equipment
- Communications Systems
- PBX, PABX
- Guidance and Control Systems
- Head Up Displays
- Military Radios

Pin Configurations continued at end of data sheet.

Typical Operating Circuit



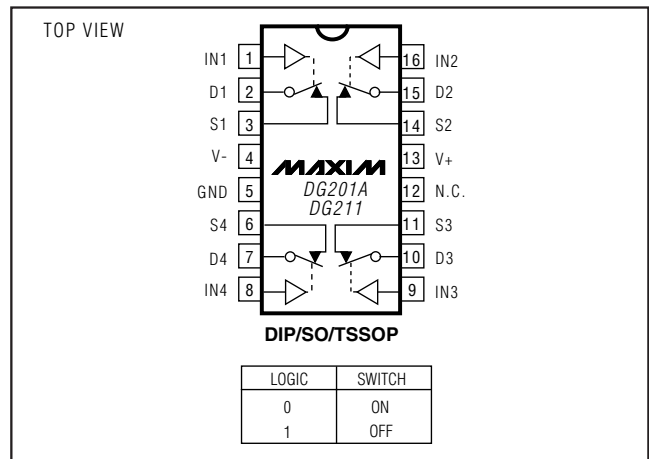
Features

- ◆ Guaranteed $\pm 4.5\text{V}$ to $\pm 18\text{V}$ Operation
- ◆ No V_L Supply Required
- ◆ Nonlatching with Supplies Turned Off and Input Signals Present
- ◆ CMOS and TTL Logic Compatible
- ◆ Monolithic, Low-Power CMOS Design

Ordering Information

PART	TEMP RANGE	PIN-PACKAGE
DG201ACUE	0°C to +70°C	16 TSSOP
DG201ACSE	0°C to +70°C	16 SO
DG201ACJ	0°C to +70°C	16 Plastic DIP
DG201C/D	0°C to +70°C	Dice
DG201AEGE	-40°C to +85°C	16 QFN (5 x 5)
DG201AEUE	-40°C to +85°C	16 TSSOP
DG201ADY	-40°C to +85°C	16 SO
DG201ADJ	-40°C to +85°C	16 Plastic DIP
DG201AAK	-55°C to +125°C	16 CERDIP
DG201ABK	-25°C to +85°C	16 CERDIP
DG211CUE	0°C to +70°C	16 TSSOP
DG211CSE	0°C to +70°C	16 SO
DG211CJ	0°C to +70°C	16 Plastic DIP
DG211C/D	0°C to +70°C	Dice
DG211EGE	-40°C to +85°C	16 QFN (5 x 5)
DG211EUE	-40°C to +85°C	16 TSSOP
DG211DY	-40°C to +85°C	16 SO
DG211DJ	-40°C to +85°C	16 Plastic DIP

Pin Configurations



For pricing, delivery, and ordering information, please contact Maxim/Dallas Direct! at 1-888-629-4642, or visit Maxim's website at www.maxim-ic.com.

Quad SPST CMOS Analog Switches

ABSOLUTE MAXIMUM RATINGS (DG211)

V+ to V-	44V
V _{IN} to Ground	V-, V+
V _L to Ground	-0.3V, 25V
V _S or V _D to V+	0, -40V
V _S or V _D to V-	0, 40V
V+ to Ground	25V
V- to Ground	-25V
Current, Any Terminal Except S or D	30mA
Continuous Current, S or D	20mA
Peak Current, S or D (pulsed at 1ms 10% duty cycle max)	70mA

Storage Temperature Range	-65°C to +125°C
Operating Temperature Range	
DG211C	0°C to +70°C
DG211D/E	-40°C to +85°C
Power Dissipation (T _A = +70°C) (Note 1)	
16-Pin Plastic Dip (derate 10.5mW/°C above +70°C)	842mW
16-Pin Narrow SO (derate 8.3mW/°C above +70°C)	696mW
16-Pin TSSOP (derate 9.4mW/°C above +70°C)	755mW
16-Pin QFN (5 × 5) (derate 19.2mW/°C above +70°C)	1538mW

Note 1: Device mounted with all leads soldered to PC board.

Stresses beyond those listed under "Absolute Maximum Ratings" may cause permanent damage to the device. These are stress ratings only, and functional operation of the device at these or any other conditions beyond those indicated in the operational sections of the specifications is not implied. Exposure to absolute maximum rating conditions for extended periods may affect device reliability.

ELECTRICAL CHARACTERISTICS (DG211)

(V+ = +15V, V- = -15V, GND = 0, T_A = +25°C, unless otherwise noted.) (For more information on TYP values see Note 2.)

PARAMETER	SYMBOL	CONDITIONS	MIN	TYP	MAX	UNITS
SWITCH						
Analog Signal Range	V _{ANALOG}		-15		15	V
Drain-Source ON-Resistance	R _{DS (ON)}	V _D = ±10V, V _{IN} = 0.8V, I _S = 1mA		115	175	Ω
Source OFF-Leakage Current	I _{S (OFF)}	V _{IN} = 2.4V V _S = 14V, V _D = -14V V _S = -14V, V _D = 14V		0.01 -5.0	5.0	nA
Drain OFF-Leakage Current	I _{D (OFF)}	V _{IN} = 2.4V V _S = 14V, V _D = -14V V _S = -14V, V _D = 14V		0.01 -5.0	5.0	
Drain ON-Leakage Current (Note 3)	I _{D (ON)}	V _{IN} = 0.8V V _S = V _D = -14V V _S = V _D = 14V		0.1 -5.0	5.0	
INPUT						
Input Current with Input Voltage High	I _{INH}	V _{IN} = 2.4V V _{IN} = 15V	-1.0	-0.0004 0.003	1.0	μA
Input Current with Input Voltage Low	I _{INL}	V _{IN} = 0	-1.0	-0.0004		
DYNAMIC						
Turn-ON Time	t _{ON}	See Switching Time Test Circuit		460	1000	ns
Turn-OFF Time	t _{OFF1}	V _S = 2V, R _L = 1kΩ, C _L = 35pF		360	500	
	t _{OFF2}			450		
Source OFF-Capacitance	C _{S (OFF)}	V _S = 0, V _{IN} = 5V, f = 1MHz		5		pF
Drain OFF-Capacitance	C _{D (OFF)}	V _D = 0, V _{IN} = 5V, f = 1MHz		5		
Channel ON-Capacitance	C _{D + S (ON)}	V _D = V _S = 0, V _{IN} = 0, f = 1MHz		16		
OFF-Isolation (Note 4)	OIRR			70		dB
Crosstalk (Channel to Channel)	CCRR	V _{IN} = 5V, R _L = 1kΩ, C _L = 15pF, V _S = 1VRMS, f = 100kHz		90		

Quad SPST CMOS Analog Switches

ELECTRICAL CHARACTERISTICS (DG211) (continued)

(V+ = +15V, V- = -15V, GND = 0, TA = +25°C, unless otherwise noted.) (For more information on TYP values see Note 2.)

PARAMETER	SYMBOL	CONDITIONS	MIN	TYP	MAX	UNITS
SUPPLY						
Positive Supply Current	I*	VIN = 0 and 2.4V (all)		0.02	0.4	mA
Negative Supply Current	I'			0.01	0.4	
Logic Supply Current	IL			0	0	
Power-Supply Range for Continuous Operation	VOP		±4.5		±18	V

Note 2: Typical values are for DESIGN AID ONLY, not guaranteed nor subject to production testing.

Note 3: ID(ON) is leakage from driver into "ON" switch.

Note 4: OFF-Isolation = 20 log VS/VD, VS = input to OFF switch, VD = output.

ABSOLUTE MAXIMUM RATINGS (DG201A)

Voltages Reference to V-

V+.....	44V
GND.....	25V
Digital Inputs (Note 1), VS, VD.....	-2V to (V+ + 2V) or 20mA, whichever occurs first
Current, Any Terminal Except S or D.....	30mA
Continuous Current, S or D.....	20mA
Peak Current, S or D (pulsed at 1ms 10% duty cycle max).....	70mA

Operating Temperature Range

DG201AA.....	-55°C to +125°C
DG201AD/E.....	-40°C to +85°C
DG201AC.....	0°C to +70°C
Storage Temperature Range.....	-65°C to +150°C
Power Dissipation (Note 2)	
16-Pin Plastic Dip (derate 10.5mW/°C above +70°C).....	842mW
16-Pin SO (derate 8.7mW/°C above +70°C).....	696mW
16-Pin TSSOP (derate 9.4mW/°C above +70°C).....	755mW
16-Pin QFN (5 x 5)	
(derate 19.2mW/°C above +70°C).....	1538mW
16-Pin CERDIP (derate 10.0mW/°C above +70°C).....	800mW

Note 1: Signals on S, D, or IN_ exceeding V+ or V- on Maxim's DG201A will be clamped by internal diodes, and are also internally current limited to 25mA.

Note 2: Device mounted with all leads soldered to PC board.

Stresses beyond those listed under "Absolute Maximum Ratings" may cause permanent damage to the device. These are stress ratings only, and functional operation of the device at these or any other conditions beyond those indicated in the operational sections of the specifications is not implied. Exposure to absolute maximum rating conditions for extended periods may affect device reliability.

ELECTRICAL CHARACTERISTICS (DG201A)

(V+ = +15V, V- = -15V, GND = 0, TA = +25°C, unless otherwise noted.) (For more information on TYP values see Note 3.)

PARAMETER	SYMBOL	CONDITIONS	DG201AA			DG201AC, D, E			UNITS
			MIN	TYP	MAX	MIN	TYP	MAX	
SWITCH									
Analog Signal Range	VANALOG		-15		15	-15		15	V
Drain-Source ON Resistance	RDS(ON)	VD = ±10V, VIN = 0.8V, IS = 1mA		115	175		115	200	Ω
Source OFF-Leakage Current	IS(OFF)	VIN = 2.4V	VS = 14V, VD = -14V	0.01	1.0	0.01	5.0	nA	
			VS = -14V, VD = 14V	-1.0	-0.02	-5.0	-0.02		
Drain OFF-Leakage Current	ID(OFF)	VIN = 2.4V	VS = 14V, VD = -14V	0.01	1.0	0.01	5.0		
			VS = -14V, VD = 14V	-1.0	-0.02	-5.0	-0.02		
Drain ON-Leakage Current (Note 4)	ID(ON)	VIN = 0.8V	VS = -14V	0.1	1.0	0.1	1.0		
			VS = 14V	-1.0		-1.0			

Quad SPST CMOS Analog Switches

DG201A/DG211

ELECTRICAL CHARACTERISTICS (DG201A) (continued)

(V+ = +15V, V- = -15V, GND = 0, TA = +25°C, unless otherwise noted.) (For more information on TYP values see Note 3.)

PARAMETER	SYMBOL	CONDITIONS	DG201AA			DG201AC, D, E			UNITS
			MIN	TYP	MAX	MIN	TYP	MAX	
INPUT									
Input Current with Input Voltage High	I _{INH}	V _{IN} = 2.4V	-1.0			-1.0			μA
		V _{IN} = 15V			1.0		1.0		
Input Current with Input Voltage Low	I _{INL}	V _{IN} = 0+	-1.0			-1.0			
DYNAMIC									
Turn-ON Time	t _{ON}	See Figure 1 Switching Time Test Circuit		480	600	480	600	ns	
Turn-OFF Time	t _{OFF1}			370	450	370	450		
Charge Injection	Q	C _L = 1000pF, V _{GEN} = 0, R _{GEN} = 0		20		20		pC	
Source OFF-Capacitance	C _{S (OFF)}	V _S = 0,	f = 140kHz	5		5		pF	
Drain OFF-Capacitance	C _{D (OFF)}	V _{IN} = 5V		5		5			
Channel ON-Capacitance	C _{D (ON)} + C _{S (ON)}	V _D = V _S = 0, V _{IN} = 0		16		16			
OFF-Isolation		V _{IN} = 5V, Z _L = 75Ω		70		70		dB	
Crosstalk (Channel to Channel)		V _S = 2.0V, f = 100kHz		90		90			
SUPPLY									
Positive Supply Current	I ⁺	All channels ON or OFF		0.02	0.1	0.02	0.1	mA	
Negative Supply Current	I ⁻	All channels ON or OFF		-0.1	-0.01	-0.1	-0.01		
Power-Supply Range for Continuous Operation	V _{OP}			±4.5	±18	±4.5	±18	V	

Note 3: Typical values are for DESIGN AID ONLY, not guaranteed nor subject to production testing.

Note 4: I_{D (ON)} is leakage from driver into "ON" switch.

Quad SPST CMOS Analog Switches

ELECTRICAL CHARACTERISTICS (DG201A)

(V+ = +15V, V- = -15V, GND = 0, TA = full operating temperature range, unless otherwise noted.) (For more information on TYP values see Note 3.)

PARAMETER	SYMBOL	CONDITIONS	DG201AA			DG201AC, D, E			UNITS
			MIN	TYP	MAX	MIN	TYP	MAX	
SWITCH									
Analog Signal Range	V _{ANALOG}		-15		15	-15		15	V
Drain-Source ON Resistance (Note 5)	R _{DS (ON)}	V _D = ±10V, V _{IN} = 0.8V, I _S = 1mA			250			250	Ω
Source OFF Leakage Current	I _{S (OFF)}	V _{IN} = 2.4V	V _S = 14V, V _D = -14V		100	100		nA	
			V _S = -14V, V _D = 14V		-100	-100			
Drain OFF Leakage Current	I _{D (OFF)}	V _{IN} = 2.4V	V _S = 14V, V _D = -14V		100	100			
			V _S = -14V, V _D = 14V		-100	-100			
Drain ON Leakage Current (Note 6)	I _{D (ON)}	V _{IN} = 0.8V	V _S = -14V		200	200		nA	
			V _D = 14V		-200	-200			
INPUT									
Input Current with Input Voltage High	I _{INH}	V _{IN} = 2.4V	-1.0		-1.0		μA		
		V _{IN} = 15V	1.0		1.0				
Input Current with Input Voltage Low	I _{INL}	V _{IN} = 0	-1.0		-1.0		μA		

Note 5: Electrical characteristics, such as ON-Resistance, will change when power supplies other than ±15V, are used.

Note 6: I_{D (ON)} is leakage from driver into “ON” switch.

Pin Description

PIN		NAME	FUNCTION
DIP/SO/TSSOP	QFN		
1, 16, 9, 8	15, 14, 7, 6	IN1–IN4	Input
2, 15, 10, 7	16, 13, 8, 5	D1–D4	Analog Switch Drain Terminal
3, 14, 11, 6	1, 12, 9, 4	S1–S4	Analog Switch Source Terminal
4	2	V-	Negative-Supply Voltage Input
5	3	GND	Ground
12	10	N.C.	No Connection
13	11	V+	Positive-Supply Voltage Input—Connected to Substrate

Switching Time Test Circuit

Switch output waveform shown for V_S = constant with logic input waveform as shown. Note that V_S may be +ve or -ve as per switching times test circuit. V_O is the steady state output with switch on. Feedthrough via gate capacitance may result in spikes at leading and trailing edge of output waveform.

Quad SPST CMOS Analog Switches

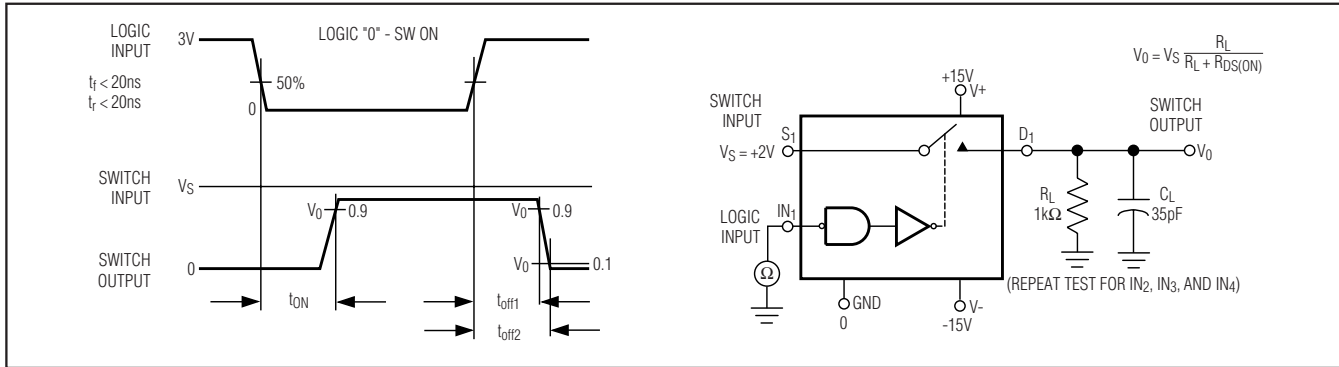


Figure 1. Switching Time

Typical RDS(ON) vs. Power Supplies for Maxim's DG201A, and DG211

POWER SUPPLIES	RDS(ON) AT ANALOG SIGNAL LEVEL					
	-5V	+5V	-10V	+10V	-15V	+15V
±5V	350Ω	380Ω	—	—	—	—
±10V	—	—	165Ω	250Ω	—	—
±15V	—	—	125Ω	160Ω	135Ω	155Ω

Protecting Against Fault Conditions

Fault conditions occur when power supplies are turned off when input signals are still present, or when overvoltages occur at the inputs during normal operation. In either case, source-to-body diodes can be forward biased and conduct current from the signal source. If this current is required to be kept to low (μA) levels then the addition of external protection diodes is recommended.

To provide protection for overvoltages up to 20V above the supplies, a 1N4001 or 1N914 type diode should be placed in series with the positive and negative supplies as shown in Figure 2. The addition of these diodes will reduce the analog signal range to 1V below the positive supply and 1V above the negative supply.

Pin Configurations (continued)

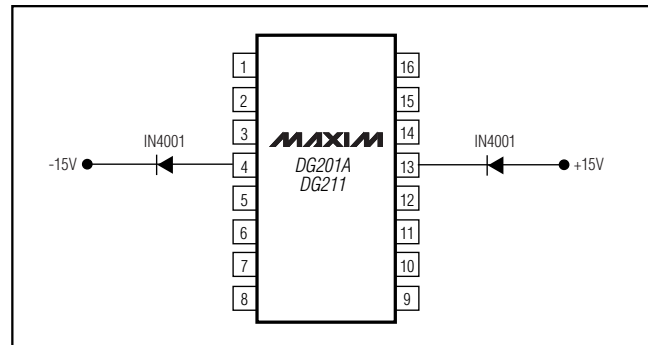
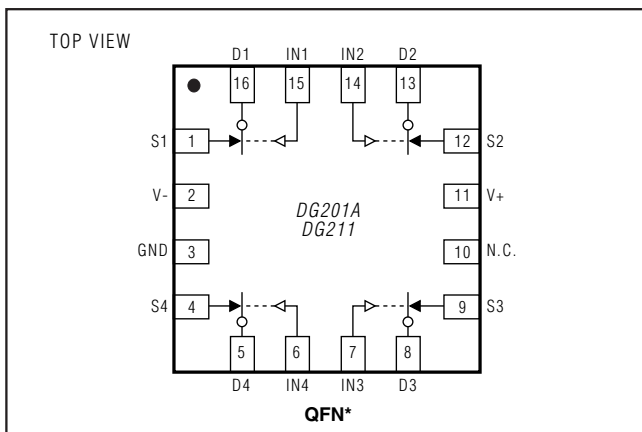


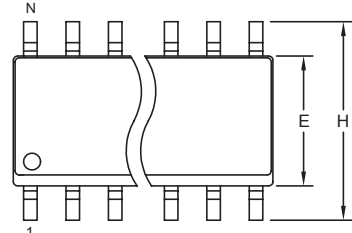
Figure 2. Protection against Fault Conditions

Quad SPST CMOS Analog Switches

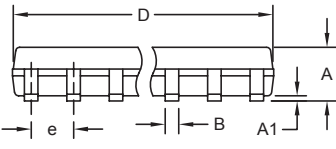
Package Information

(The package drawing(s) in this data sheet may not reflect the most current specifications. For the latest package outline information, go to www.maxim-ic.com/packages.)

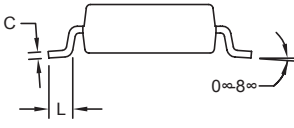
DG201A/DG211



TOP VIEW



FRONT VIEW



SIDE VIEW


NOTES:

1. D&E DO NOT INCLUDE MOLD FLASH.
2. MOLD FLASH OR PROTRUSIONS NOT TO EXCEED 0.15mm (.006").
3. LEADS TO BE COPLANAR WITHIN 0.10mm (.004").
4. CONTROLLING DIMENSION: MILLIMETERS.
5. MEETS JEDEC MS012.
6. N = NUMBER OF PINS.

DIM	INCHES		MILLIMETERS	
	MIN	MAX	MIN	MAX
A	0.053	0.069	1.35	1.75
A1	0.004	0.010	0.10	0.25
B	0.014	0.019	0.35	0.49
C	0.007	0.010	0.19	0.25
e	0.050 BSC		1.27 BSC	
E	0.150	0.157	3.80	4.00
H	0.228	0.244	5.80	6.20
L	0.016	0.050	0.40	1.27

VARIATIONS:

DIM	INCHES		MILLIMETERS		N	MS012
	MIN	MAX	MIN	MAX		
D	0.189	0.197	4.80	5.00	8	AA
D	0.337	0.344	8.55	8.75	14	AB
D	0.386	0.394	9.80	10.00	16	AC



PROPRIETARY INFORMATION

TITLE: PACKAGE OUTLINE, .150" SOIC

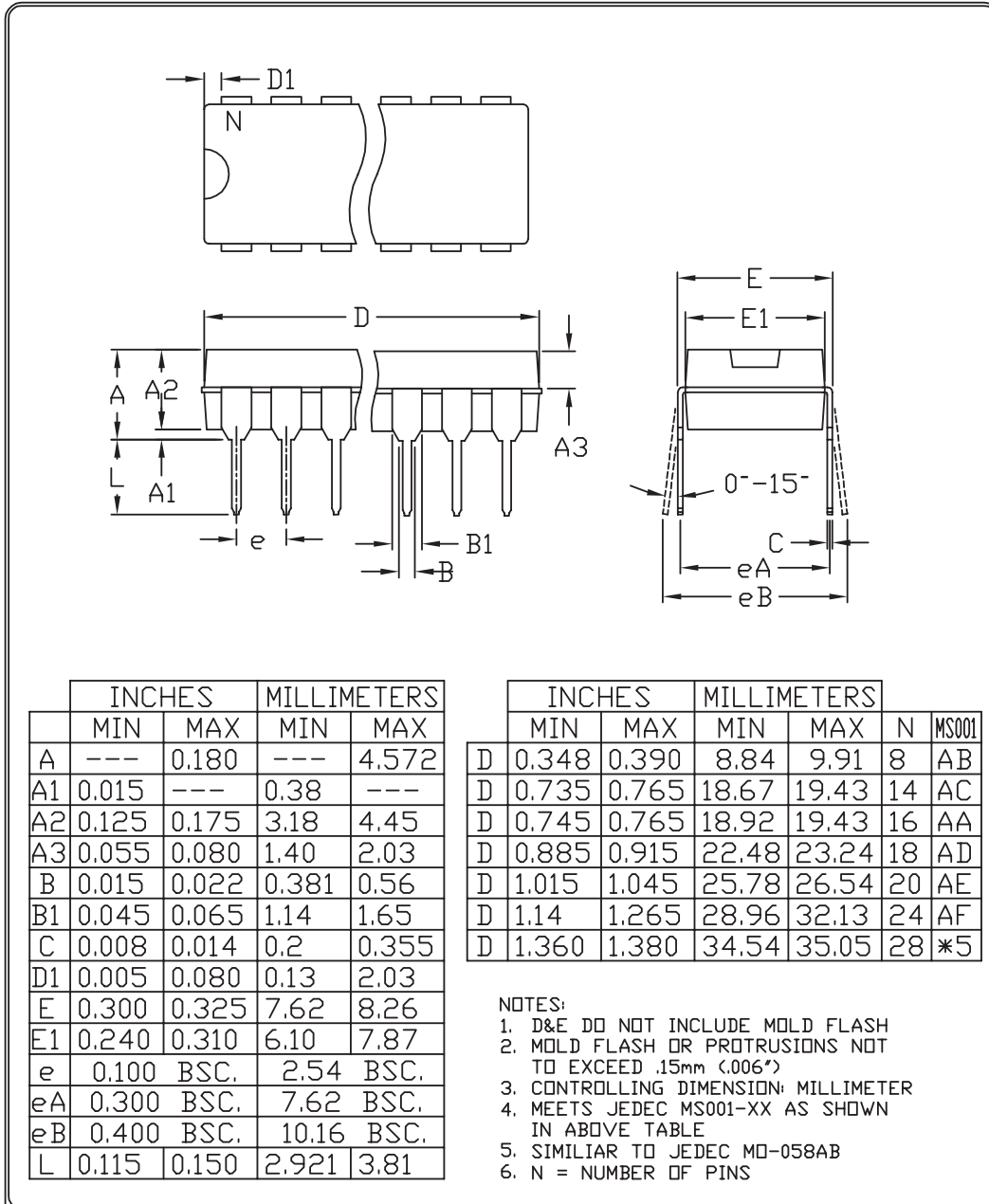
APPROVAL	DOCUMENT CONTROL NO.	REV.
	21-0041	B 1/1

SOICN EPSS

Quad SPST CMOS Analog Switches

Package Information (continued)

(The package drawing(s) in this data sheet may not reflect the most current specifications. For the latest package outline information, go to www.maxim-ic.com/packages.)



	INCHES		MILLIMETERS	
	MIN	MAX	MIN	MAX
A	---	0.180	---	4.572
A1	0.015	---	0.38	---
A2	0.125	0.175	3.18	4.45
A3	0.055	0.080	1.40	2.03
B	0.015	0.022	0.381	0.56
B1	0.045	0.065	1.14	1.65
C	0.008	0.014	0.2	0.355
D1	0.005	0.080	0.13	2.03
E	0.300	0.325	7.62	8.26
E1	0.240	0.310	6.10	7.87
e	0.100 BSC.		2.54 BSC.	
eA	0.300 BSC.		7.62 BSC.	
eB	0.400 BSC.		10.16 BSC.	
L	0.115	0.150	2.921	3.81

	INCHES		MILLIMETERS		N	MS001
	MIN	MAX	MIN	MAX		
D	0.348	0.390	8.84	9.91	8	AB
D	0.735	0.765	18.67	19.43	14	AC
D	0.745	0.765	18.92	19.43	16	AA
D	0.885	0.915	22.48	23.24	18	AD
D	1.015	1.045	25.78	26.54	20	AE
D	1.14	1.265	28.96	32.13	24	AF
D	1.360	1.380	34.54	35.05	28	*5

- NOTES:
1. D&E DO NOT INCLUDE MOLD FLASH
 2. MOLD FLASH OR PROTRUSIONS NOT TO EXCEED .15mm (.006")
 3. CONTROLLING DIMENSION: MILLIMETER
 4. MEETS JEDEC MS001-XX AS SHOWN IN ABOVE TABLE
 5. SIMILIAR TO JEDEC MD-058AB
 6. N = NUMBER OF PINS

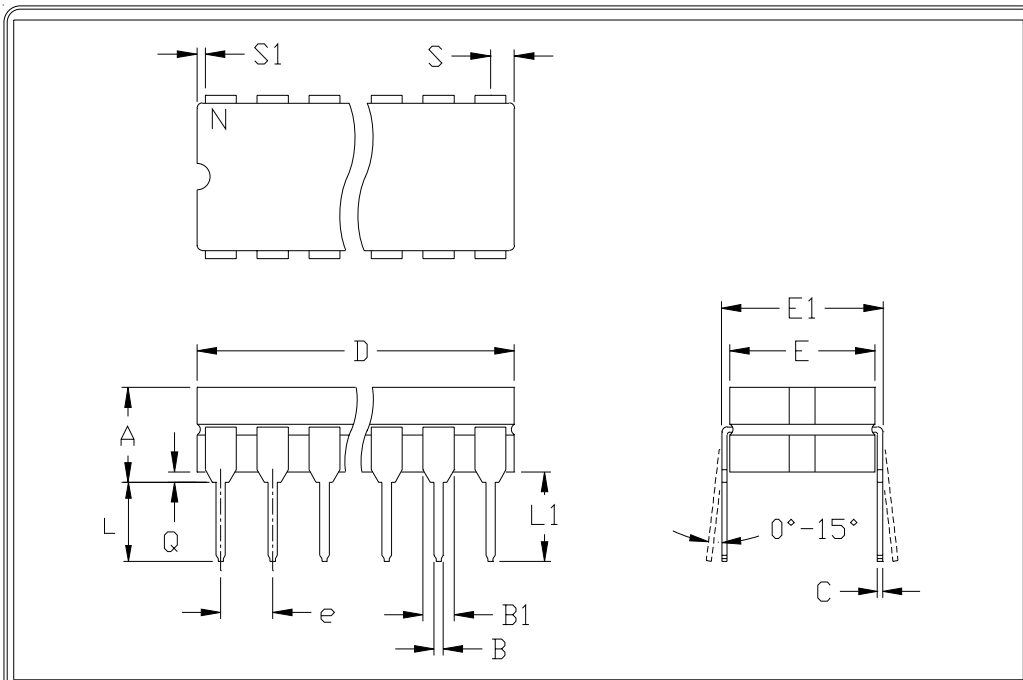
 <small>290 SAN GABRIEL DR. SUNNYVALE CA 94086 FAX 408 737 7594</small> <small>PROPRIETARY INFORMATION</small>	PACKAGE FAMILY OUTLINE: PDIP .300"		21-0043 D

Quad SPST CMOS Analog Switches

Package Information (continued)

(The package drawing(s) in this data sheet may not reflect the most current specifications. For the latest package outline information, go to www.maxim-ic.com/packages.)

DG201A/DG211



	INCHES		MILLIMETERS	
	MIN	MAX	MIN	MAX
A	---	0.200	---	5.08
B	0.014	0.023	0.36	0.58
B1	0.038	0.065	0.97	1.65
C	0.008	0.015	0.20	0.38
E	0.220	0.310	5.59	7.87
E1	0.290	0.320	7.37	8.13
e	0.100		2.54	
L	0.125	0.200	3.18	5.08
L1	0.150	---	0.00	---
Q	0.015	0.070	0.38	1.78
S	---	0.098	---	2.49
S1	0.005	---	0.13	---

	INCHES		MILLIMETERS		N	CASE
	MIN	MAX	MIN	MAX		
D	---	0.405	---	10.29	8	P:D4
D	---	0.785	---	19.94	14	C:D1
D	---	0.840	---	21.34	16	E:D2
D	---	0.960	---	24.38	18	V:D6
D	---	1.060	---	26.92	20	R:D8
D	---	1.280	---	32.51	24	L:D9

- NOTES:
 1. CONTROLLING DIMENSION: INCH
 2. MEETS 1835 CASE OUTLINE CONFIGURATION #1 AS SHOWN IN ABOVE TABLE
 3. N = NUMBER OF PINS



PACKAGE FAMILY OUTLINE: CDIP .300"
 TITLE

1/1

21-0045 A
 DOCUMENT CONTROL NUMBER REV

Quad SPST CMOS Analog Switches

Package Information (continued)

(The package drawing(s) in this data sheet may not reflect the most current specifications. For the latest package outline information, go to www.maxim-ic.com/packages.)

SYMBOL	COMMON DIMENSIONS			
	MILLIMETERS		INCHES	
	MIN.	MAX.	MIN.	MAX.
A	—	1.10	—	.043
A ₁	0.05	0.15	.002	.006
A _e	0.85	0.95	.033	.037
b	0.19	0.30	.007	.012
b ₁	0.19	0.25	.007	.010
c	0.09	0.20	.004	.008
c ₁	0.09	0.14	.004	.006
D	SEE VARIATIONS		SEE VARIATIONS	
E	4.30	4.50	.169	.177
e	0.65 BSC		.026 BSC	
H	6.25	6.55	.246	.258
L	0.50	0.70	.020	.028
N	SEE VARIATIONS		SEE VARIATIONS	
α	0°	8°	0°	8°

JEDEC	N	VARIATIONS			
		MILLIMETERS		INCHES	
		MIN.	MAX.	MIN.	MAX.
AB-1	14	4.90	5.10	.193	.201
AB	16	4.90	5.10	.193	.201
AC	20	6.40	6.60	.252	.260
AD	24	7.70	7.90	.303	.311
AE	28	9.60	9.80	.378	.386

NOTES:
 1. DIMENSIONS D AND E DO NOT INCLUDE FLASH
 2. MOLD FLASH OR PROTRUSIONS NOT TO EXCEED 0.15mm PER SIDE
 3. CONTROLLING DIMENSION: MILLIMETER
 4. MEETS JEDEC OUTLINE MO-153. SEE JEDEC VARIATIONS TABLE
 5. 'N' REFERS TO NUMBER OF LEADS
 6. THE LEAD TIPS MUST LIE WITHIN A SPECIFIED ZONE. THIS TOLERANCE ZONE IS DEFINED BY TWO PARALLEL PLANES. ONE PLANE IS THE SEATING PLANE, DATUM [-C-]; THE OTHER PLANE IS AT THE SPECIFIED DISTANCE FROM [-C-] IN THE DIRECTION INDICATED

-DRAWING NOT TO SCALE-

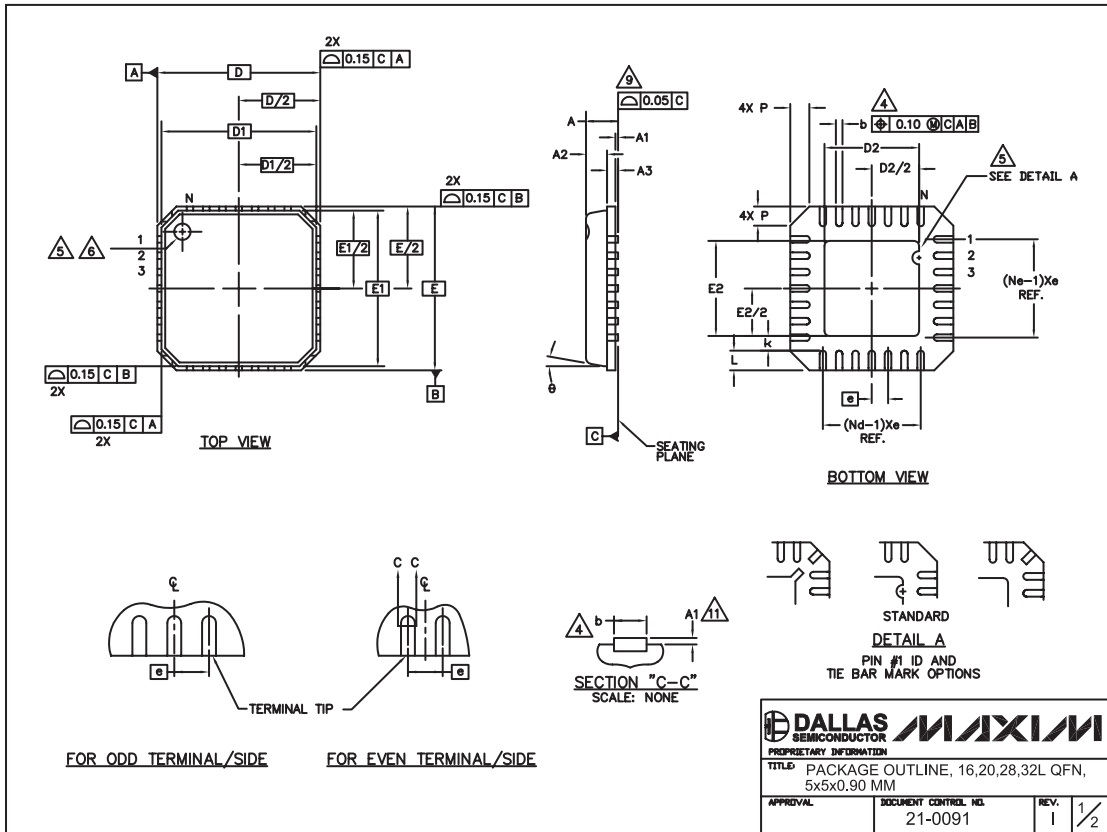
TSSOP4 .40mm:EPS

Quad SPST CMOS Analog Switches

Package Information (continued)

(The package drawing(s) in this data sheet may not reflect the most current specifications. For the latest package outline information, go to www.maxim-ic.com/packages.)

DG201A/DG211



Quad SPST CMOS Analog Switches

Package Information (continued)

(The package drawing(s) in this data sheet may not reflect the most current specifications. For the latest package outline information, go to www.maxim-ic.com/packages.)

COMMON DIMENSIONS												
PKG	16L 5x5			20L 5x5			28L 5x5			32L 5x5		
SYMBOL	MIN.	NOM.	MAX.	MIN.	NOM.	MAX.	MIN.	NOM.	MAX.	MIN.	NOM.	MAX.
A	0.80	0.90	1.00	0.80	0.90	1.00	0.80	0.90	1.00	0.80	0.90	1.00
A1	0.00	0.01	0.05	0.00	0.01	0.05	0.00	0.01	0.05	0.00	0.01	0.05
A2	0.00	0.65	1.00	0.00	0.65	1.00	0.00	0.65	1.00	0.00	0.65	1.00
A3	0.20 REF			0.20 REF			0.20 REF			0.20 REF		
b	0.28	0.33	0.40	0.23	0.28	0.35	0.18	0.23	0.30	0.18	0.23	0.30
D	4.90	5.00	5.10	4.90	5.00	5.10	4.90	5.00	5.10	4.90	5.00	5.10
D1	4.75 BSC			4.75 BSC			4.75 BSC			4.75 BSC		
E	4.90	5.00	5.10	4.90	5.00	5.10	4.90	5.00	5.10	4.90	5.00	5.10
E1	4.75 BSC			4.75 BSC			4.75 BSC			4.75 BSC		
e	0.80 BSC			0.65 BSC			0.50 BSC			0.50 BSC		
k	0.25	-	-	0.25	-	-	0.25	-	-	0.25	-	-
L	0.35	0.55	0.75	0.35	0.55	0.75	0.35	0.55	0.75	0.30	0.40	0.50
N	16			20			28			32		
ND	4			5			7			8		
NE	4			5			7			8		
P	0.00	0.42	0.60	0.00	0.42	0.60	0.00	0.42	0.60	0.00	0.42	0.60
ø	0"			12'			0"			12'		

EXPOSED PAD VARIATIONS						
PKG. CODES	E2			E2		
	MIN.	NOM.	MAX.	MIN.	NOM.	MAX.
G1655-3	2.95	3.10	3.25	2.95	3.10	3.25
G2055-1	2.55	2.70	2.85	2.55	2.70	2.85
G2055-2	2.95	3.10	3.25	2.95	3.10	3.25
G2855-1	2.55	2.70	2.85	2.55	2.70	2.85
G2855-2	2.95	3.10	3.25	2.95	3.10	3.25
G3255-1	2.95	3.10	3.25	2.95	3.10	3.25

NOTES:

- DIE THICKNESS ALLOWABLE IS 0.305mm MAXIMUM (.012 INCHES MAXIMUM)
- DIMENSIONING & TOLERANCES CONFORM TO ASME Y14.5M. - 1994.
- N IS THE NUMBER OF TERMINALS.
Nd IS THE NUMBER OF TERMINALS IN X-DIRECTION & Ne IS THE NUMBER OF TERMINALS IN Y-DIRECTION.
- ⚠ DIMENSION b APPLIES TO PLATED TERMINAL AND IS MEASURED BETWEEN 0.20 AND 0.25mm FROM TERMINAL TIP.
- ⚠ THE PIN #1 IDENTIFIER MUST BE EXISTED ON THE TOP SURFACE OF THE PACKAGE BY USING INDENTATION MARK OR INK/LASER MARKED. DETAILS OF PIN #1 IDENTIFIER IS OPTIONAL, BUT MUST BE LOCATED WITHIN ZONE INDICATED.
- ⚠ EXACT SHAPE AND SIZE OF THIS FEATURE IS OPTIONAL.
- ALL DIMENSIONS ARE IN MILLIMETERS.
- PACKAGE WARPAGE MAX 0.05mm.
- ⚠ APPLIED FOR EXPOSED PAD AND TERMINALS. EXCLUDE EMBEDDED PART OF EXPOSED PAD FROM MEASURING.
- MEETS JEDEC MO220; EXCEPT DIMENSION "b".
- ⚠ APPLIED FOR EXPOSED PAD AND TERMINALS. EXCLUDE EMBEDDING PART OF EXPOSED PAD FROM MEASURING.
- THIS PACKAGE OUTLINE APPLIES TO ANVIL SINGULATION (STEPPED SIDES).

TITLE: PACKAGE OUTLINE, 16,20,28,32L QFN, 5x5x0.90 MM	
APPROVAL	DOCUMENT CONTROL NO. 21-0091 REV. 1 2/2

Maxim cannot assume responsibility for use of any circuitry other than circuitry entirely embodied in a Maxim product. No circuit patent licenses are implied. Maxim reserves the right to change the circuitry and specifications without notice at any time.

12 _____ **Maxim Integrated Products, 120 San Gabriel Drive, Sunnyvale, CA 94086 408-737-7600**

Компания «Океан Электроники» предлагает заключение долгосрочных отношений при поставках импортных электронных компонентов на взаимовыгодных условиях!

Наши преимущества:

- Поставка оригинальных импортных электронных компонентов напрямую с производств Америки, Европы и Азии, а так же с крупнейших складов мира;
- Широкая линейка поставок активных и пассивных импортных электронных компонентов (более 30 млн. наименований);
- Поставка сложных, дефицитных, либо снятых с производства позиций;
- Оперативные сроки поставки под заказ (от 5 рабочих дней);
- Экспресс доставка в любую точку России;
- Помощь Конструкторского Отдела и консультации квалифицированных инженеров;
- Техническая поддержка проекта, помощь в подборе аналогов, поставка прототипов;
- Поставка электронных компонентов под контролем ВП;
- Система менеджмента качества сертифицирована по Международному стандарту ISO 9001;
- При необходимости вся продукция военного и аэрокосмического назначения проходит испытания и сертификацию в лаборатории (по согласованию с заказчиком);
- Поставка специализированных компонентов военного и аэрокосмического уровня качества (Xilinx, Altera, Analog Devices, Intersil, Interpoint, Microsemi, Actel, Aeroflex, Peregrine, VPT, Syfer, Eurofarad, Texas Instruments, MS Kennedy, Miteq, Cobham, E2V, MA-COM, Hittite, Mini-Circuits, General Dynamics и др.);

Компания «Океан Электроники» является официальным дистрибьютором и эксклюзивным представителем в России одного из крупнейших производителей разъемов военного и аэрокосмического назначения «**JONHON**», а так же официальным дистрибьютором и эксклюзивным представителем в России производителя высокотехнологичных и надежных решений для передачи СВЧ сигналов «**FORSTAR**».



JONHON

«**JONHON**» (основан в 1970 г.)

Разъемы специального, военного и аэрокосмического назначения:

(Применяются в военной, авиационной, аэрокосмической, морской, железнодорожной, горно- и нефтедобывающей отраслях промышленности)

«**FORSTAR**» (основан в 1998 г.)

ВЧ соединители, коаксиальные кабели, кабельные сборки и микроволновые компоненты:

(Применяются в телекоммуникациях гражданского и специального назначения, в средствах связи, РЛС, а так же военной, авиационной и аэрокосмической отраслях промышленности).



Телефон: 8 (812) 309-75-97 (многоканальный)

Факс: 8 (812) 320-03-32

Электронная почта: ocean@oceanchips.ru

Web: <http://oceanchips.ru/>

Адрес: 198099, г. Санкт-Петербург, ул. Калинина, д. 2, корп. 4, лит. А