

DBML13W3S500MN

REFERENCE SPECIFICATIONS

-NFC 93425 (in compliance with HE 507)

PHYSICAL CHARACTERISTICS

-INSULATOR MATERIAL: THERMOPLASTIC UL94V0

-CONTACT MATERIAL: PHOSPHOR BRONZE(SIGNAL CONTACT)
GOLD OVER NICKEL

-ACCESSORIES: STEEL FOR BRACKETS
Cadmium plated, yellow passivation

-SHELLS: STEEL
Cadmium plated, yellow passivation

ELECTRICAL CHARACTERISTICS

-NOMINAL CURRENT: 7.5A (SIGNAL CONTACT)

-CONTACT RESISTANCE: <=7.3 m Ohms(SIGNAL)

-CONTACT/CONTACT : >=1000 V

ENVIRONMENTAL CHARACTERISTICS

-CONTACT/GROUND : >=1200 V

-INSULATION RESISTANCE: >=5000 MOhms

- CLIMATIC CATEGORY: 55/125/21

TEMPERATURE RANGE -55°C TO +125°C

DAMP HEAT STEADY STATE 56 DAYS

SALT SPRAY 48 HOURS

Series

Shell size: **E A B C D**
(see sheet 3)

M :Characteristics
for the DM serie

Front accessory definition
(see sheet 2)

blank :without accessory

L :threaded insert M3

O :threaded insert UNC 4-40

V :female screw UNC 4-40

Layout of contacts (see sheet 3)

Contacts

S :Socket

Termination type

5 Right angle/Europe standard

Plating

00 Right angle 500 matings/unmatings

43 Right angle 500 matings/unmatings
for harsh environment

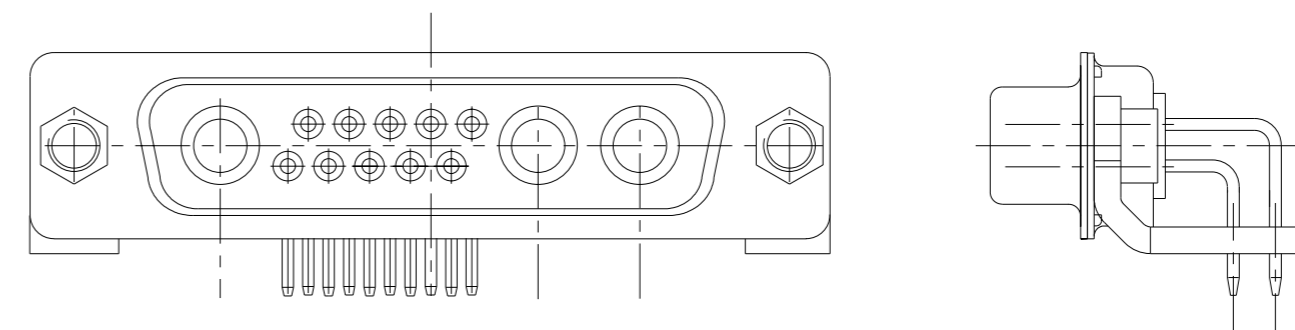
PCB accessories definition(see sheet 2)

blank :Plastic brackets

C :Without brackets

M :Metal brackets

N :Obligatory indication for HE 507



13W3 FOR EXAMPLE

| rev | ecn no | dr | date |
|-----|-----------|-----|------------|
| A | LS06-0174 | MPE | 2006/11/14 |
| - | - | - | - |
| - | - | - | - |
| - | - | - | - |
| - | - | - | - |
| - | - | - | - |

| | | | | | |
|--------------------|----------|---------------------------------------|------------------|---------------|----------|
| www.fciconnect.com | | surface - | tolerance std | projection | mm |
| | | ISO 1302 | ISO 406 ISO 1101 | | |
| | | TOLERANCES UNLESS OTHERWISE SPECIFIED | | | |
| Dr | M.PESSON | 2006/11/14 | ANGULAR | 0.X | ±0.3 |
| Eng | M.PESSON | 2006/11/14 | LINEAR | 0.XX | ±0.1 |
| Chr | P.LEGARE | 2006/11/14 | 0° ±2° | 0.XXX | ±0.05 |
| Appr | P.LEGARE | 2006/11/14 | Product family | - | Spec ref |
| | | title | | dwg no | Rev. |
| | | SUB FEMALE DMW EUROPE foot print | | C01-8637-1749 | A |
| | | mixed power right angled solder | | | |
| catalog no | | CUSTOMER | | sheet 1 of 9 | |

A

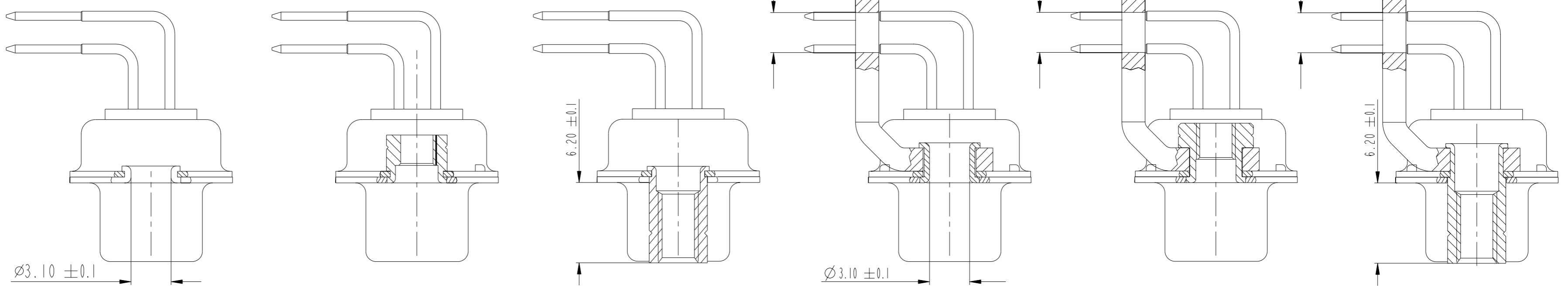
B

C

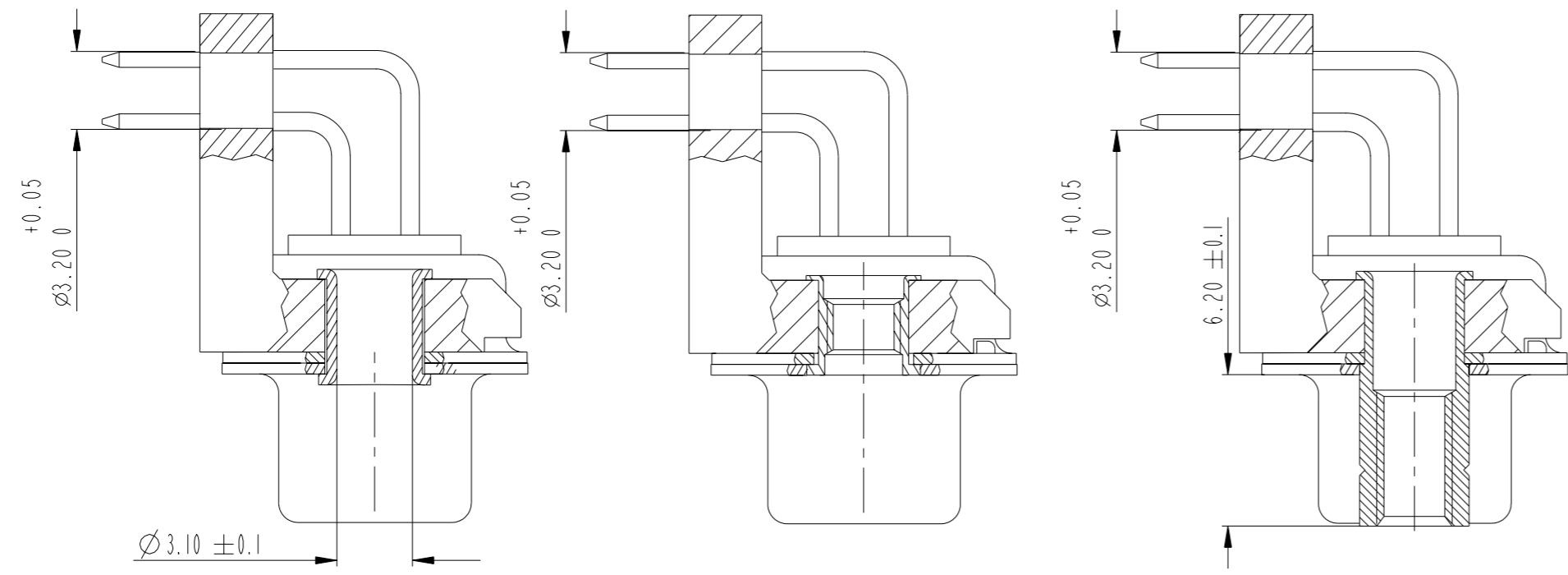
D

E

F



| | | | | | | |
|-----------------|--------------------------|--|--------------------------------|------------------------|--|--------------------------------|
| FRONT ACCESSORY | Blank Without | L insert M3 O insert UNC 4.40 | V Female screw UNC 4.40 | Blank Without | L insert M3 O insert UNC 4.40 | V Female screw UNC 4.40 |
| PCB ACCESSORIES | C Without bracket | C Without bracket | C Without bracket | M Metal bracket | M Metal bracket | M Metal bracket |



| | | | |
|-----------------|------------------------------|--|--------------------------------|
| FRONT ACCESSORY | Blank Without | L insert M3 O insert UNC 4.40 | V Female screw UNC 4.40 |
| PCB ACCESSORIES | Blank Plastic bracket | Blank Plastic bracket | Blank Plastic bracket |

Copyright FCi. FCi

| | | | | | |
|--------------------|----------|---|--------------------------------|--------------------------------|---------------|
| www.fciconnect.com | | surface ISO 1302 | tolerance std ISO 406 ISO 1101 | projection | mm |
| | | TOLERANCES UNLESS OTHERWISE SPECIFIED | | size A2 | Scale 2:1 |
| Dr | M.PESSON | 2006/11/14 | ANGULAR | 0.X ±0.3 | |
| Eng | M.PESSON | 2006/11/14 | LINEAR | 0.XX ±0.1 | |
| Chr | P.LEGARE | 2006/11/14 | 0° ±2° | 0.XXX ±0.05 | ECN LS06-0174 |
| Appr | P.LEGARE | 2006/11/14 | Product family | - | Spec ref |
| | | title SUB FEMALE DMW EUROPE foot print mixed power right angled solder | | dwg no C01-8637-1749 Rev. A | sheet 2 of 9 |

SCALE:4

1

2

3

4

5

6

7

8

shell size LAYOUTS

| | |
|---|-------|
| * | xWx |
| E | 5W1 |
| A | 11W1 |
| A | 7W2 |
| B | 21W1 |
| B | 17W2 |
| B | 13W3 |
| B | 9W4 |
| C | 25W3 |
| C | 21WA4 |
| C | 27W2 |
| D | 47W1 |
| D | 24W7 |
| D | 36W4 |

| PART NUMBER | MATINGS/ UNMATINGS | FRONT ACCESSORY | PCB ACCESSORIES |
|---------------|-----------------------|-----------------------|--------------------|
| D*MxWxS500CN | 500 | without | without |
| D*MLxWxS500CN | 500 | insert M3 | without |
| D*MOxWxS500CN | 500 | insert UNC 4.40 | without |
| D*MVxWxS500CN | 500 | female screw UNC 4.40 | without |
| D*MxWxS500MN | 500 | without | metal bracket |
| D*MLxWxS500MN | 500 | insert M3 | metal bracket |
| D*MOxWxS500MN | 500 | insert UNC 4.40 | metal bracket |
| D*MVxWxS500MN | 500 | female screw UNC 4.40 | metal bracket |
| D*MxWxS500N | 500 | without | plastic bracket |
| D*MLxWxS500N | 500 | insert M3 | plastic bracket |
| D*MOxWxS500N | 500 | insert UNC 4.40 | plastic bracket |
| D*MVxWxS500N | 500 | female screw UNC 4.40 | plastic bracket |

| PART NUMBER | MATINGS/ UNMATINGS | FRONT ACCESSORY | PCB ACCESSORIES |
|---------------|-----------------------|-----------------------|--------------------|
| D*MxWxS543CN | 500 | without | without |
| D*MLxWxS543CN | 500 | insert M3 | without |
| D*MOxWxS543CN | 500 | insert UNC 4.40 | without |
| D*MVxWxS543CN | 500 | female screw UNC 4.40 | without |
| D*MxWxS543MN | 500 | without | metal bracket |
| D*MLxWxS543MN | 500 | insert M3 | metal bracket |
| D*MOxWxS543MN | 500 | insert UNC 4.40 | metal bracket |
| D*MVxWxS543MN | 500 | female screw UNC 4.40 | metal bracket |
| D*MxWxS543N | 500 | without | plastic bracket |
| D*MLxWxS543N | 500 | insert M3 | plastic bracket |
| D*MOxWxS543N | 500 | insert UNC 4.40 | plastic bracket |
| D*MVxWxS543N | 500 | female screw UNC 4.40 | plastic bracket |

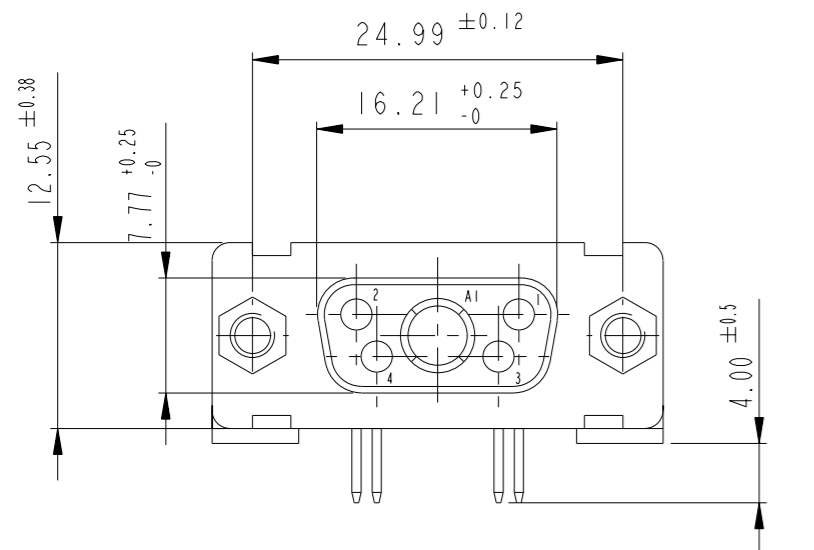
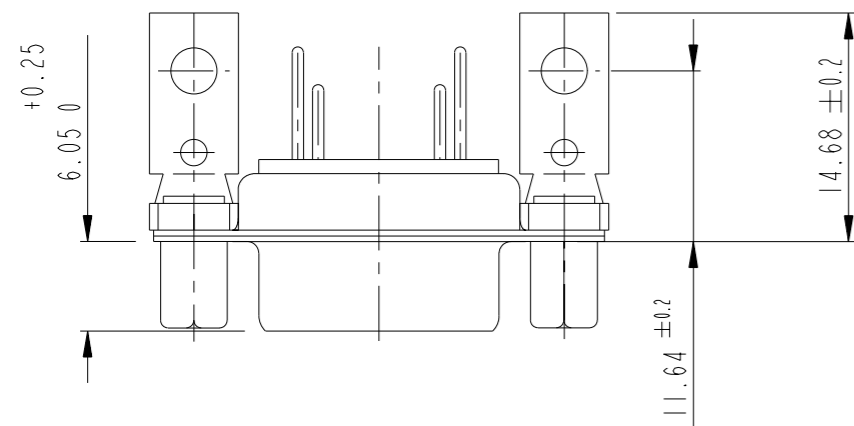
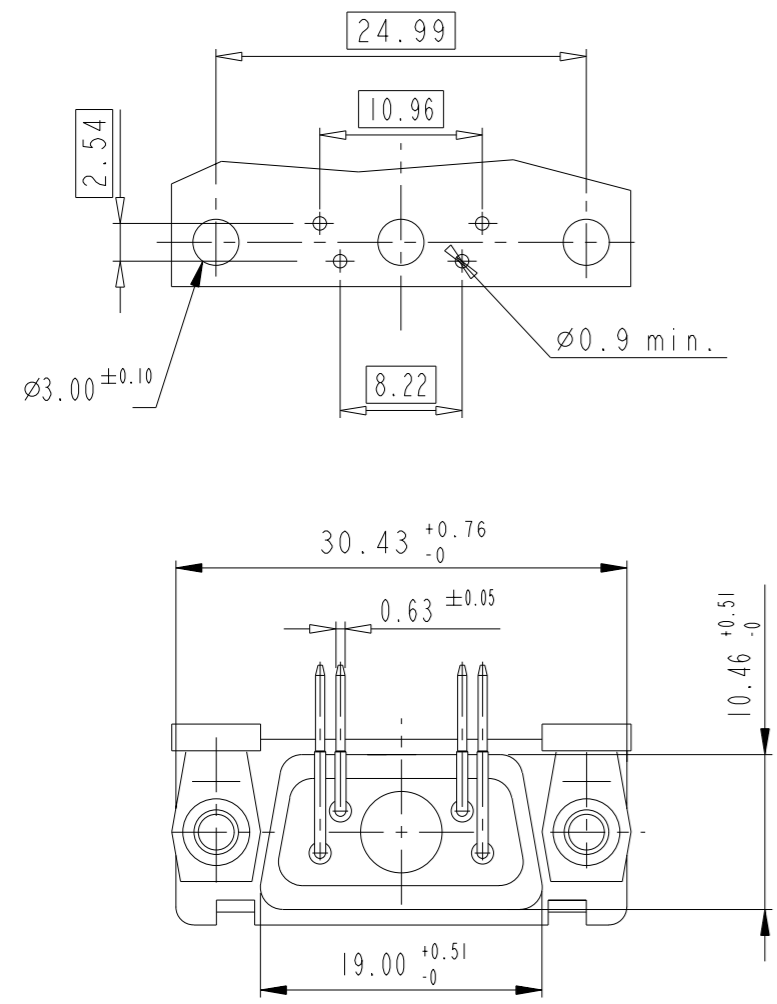


Copyright FCI.

| | | | | | |
|--------------------|-----------|------------|---------------------------------------|-----------------------------------|------------------|
| www.fciconnect.com | | | surface ISO 1302 | tolerance std ISO 406 ISO 1101 | projection mm |
| | | | TOLERANCES UNLESS OTHERWISE SPECIFIED | | |
| Dr | M. PESSON | 2006/11/14 | ANGULAR | 0.X ±0.3 | size A2 |
| Eng | M. PESSON | 2006/11/14 | LINEAR | 0.XX ±0.1 | Scale 2:1 |
| Chr | P. LEGARE | 2006/11/14 | 0° ±2° | 0.XXX ±0.05 | ECN LS06-0174 |
| Appr | P. LEGARE | 2006/11/14 | Product family | - | Spec ref |
| | | | SUB FEMALE DMW EUROPE foot print | | Rev. A |
| | | | mixed power right angled solder | | C01-8637-1749 |
| catalog no | | | CUSTOMER | | sheet 3 of 9 |

5W1

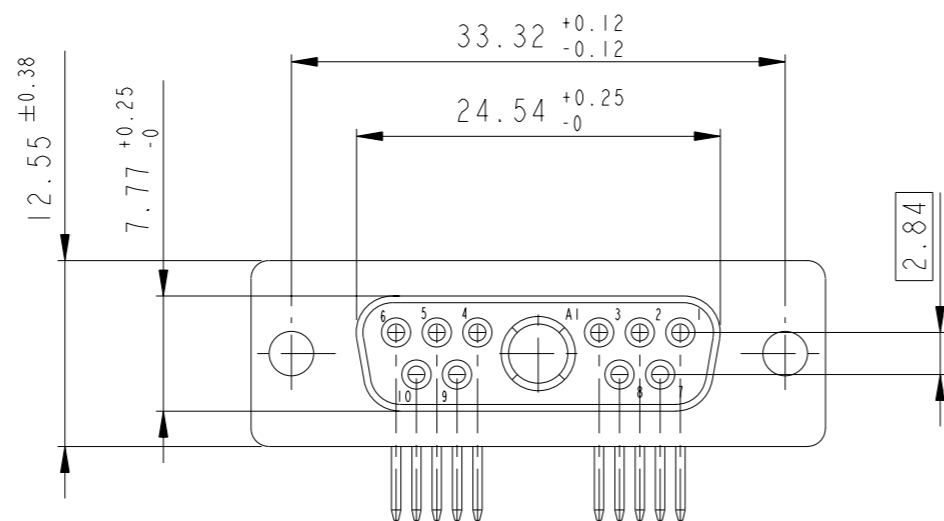
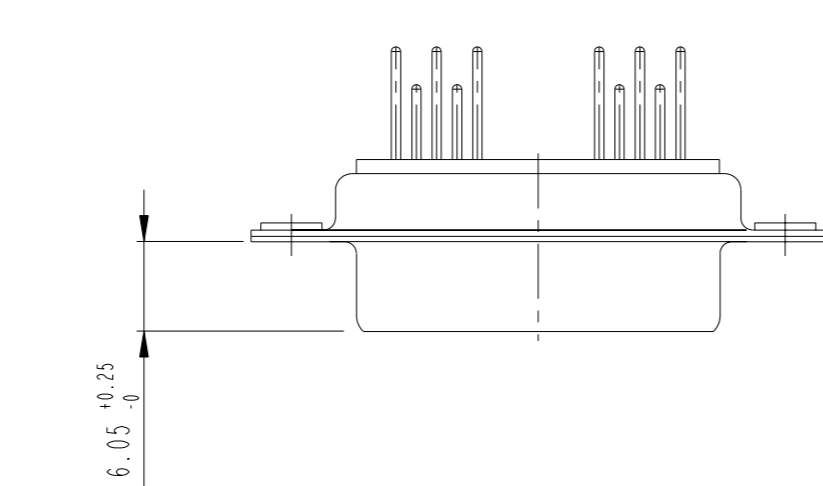
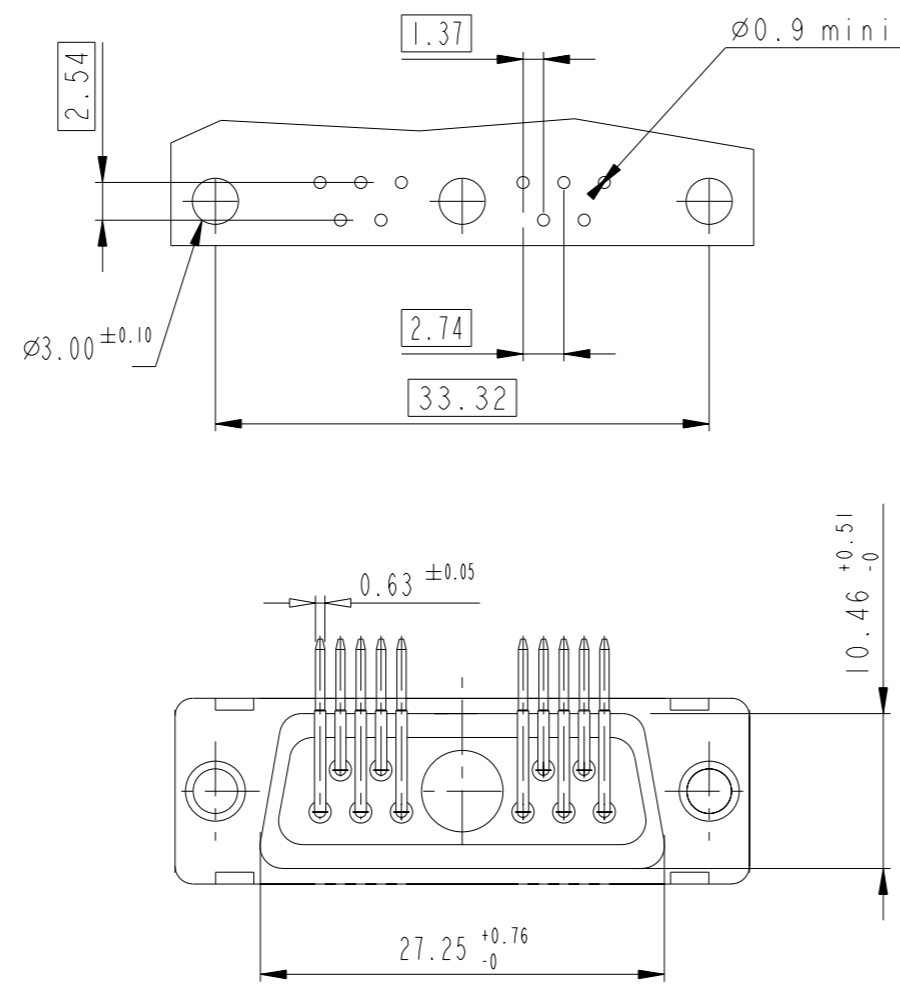
LAYOUT AND CONNECTOR DIMENSIONS



Floating signal contacts

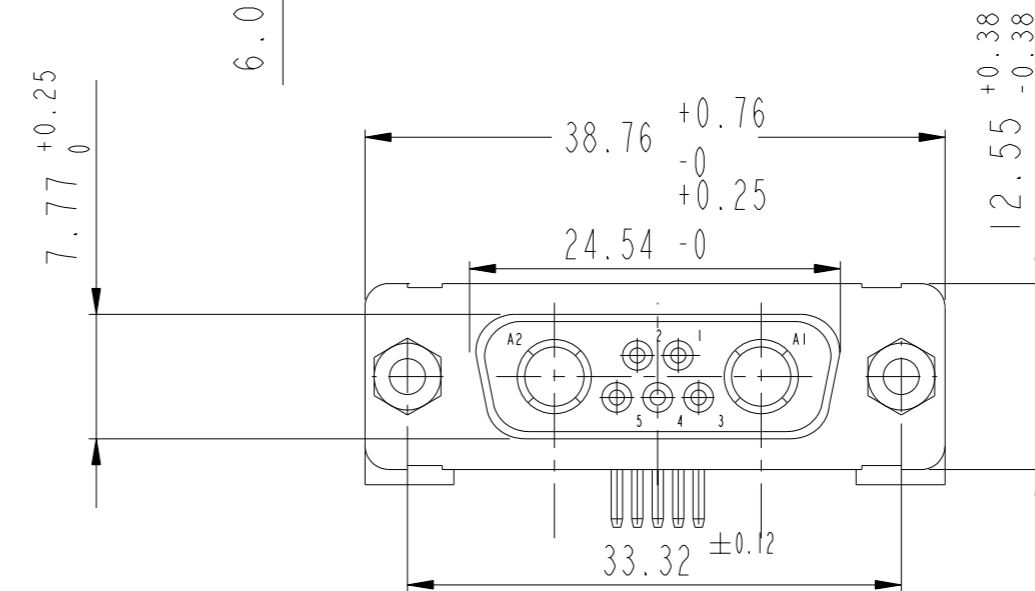
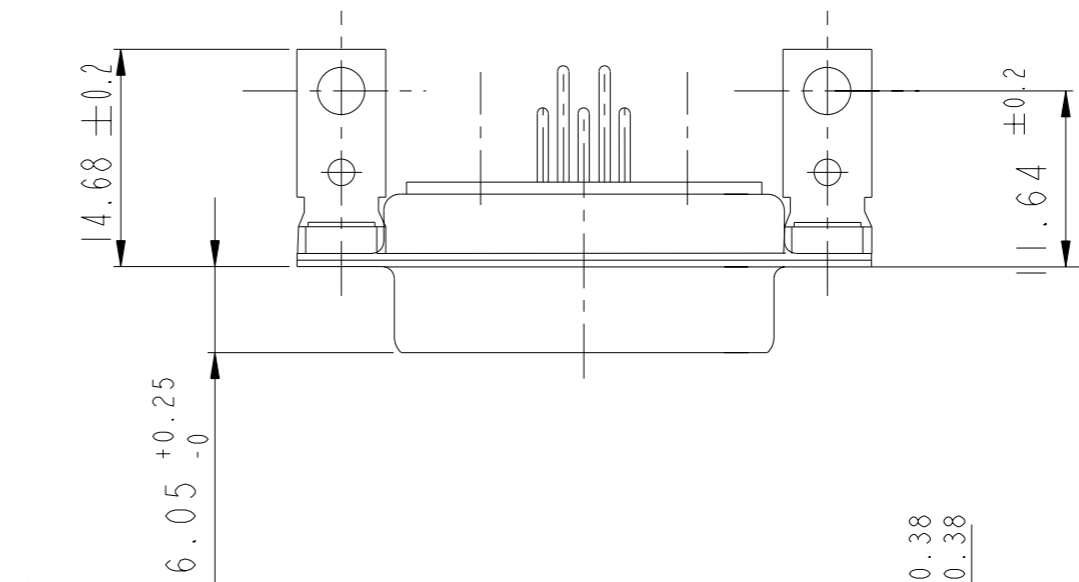
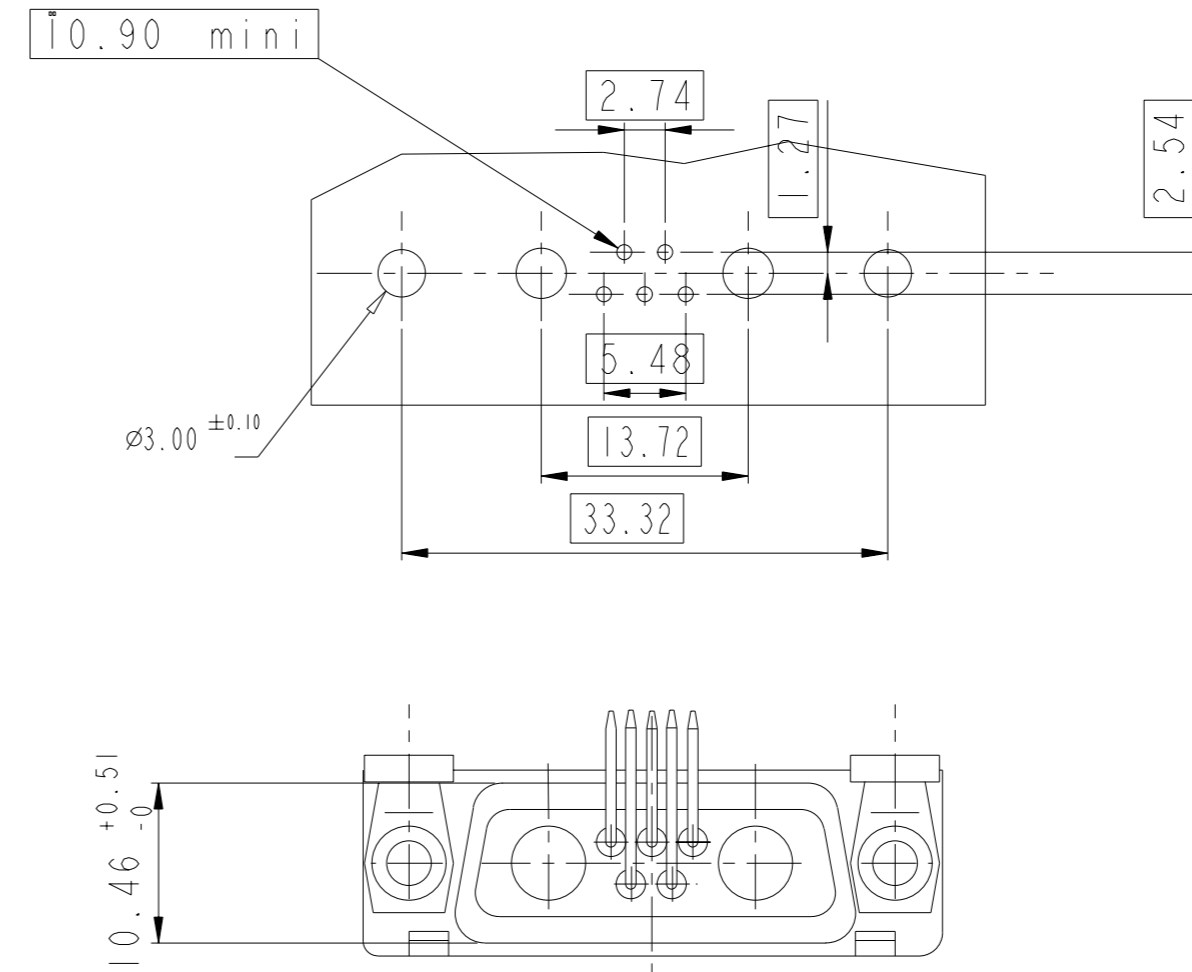
11W1

LAYOUT AND CONNECTOR DIMENSIONS



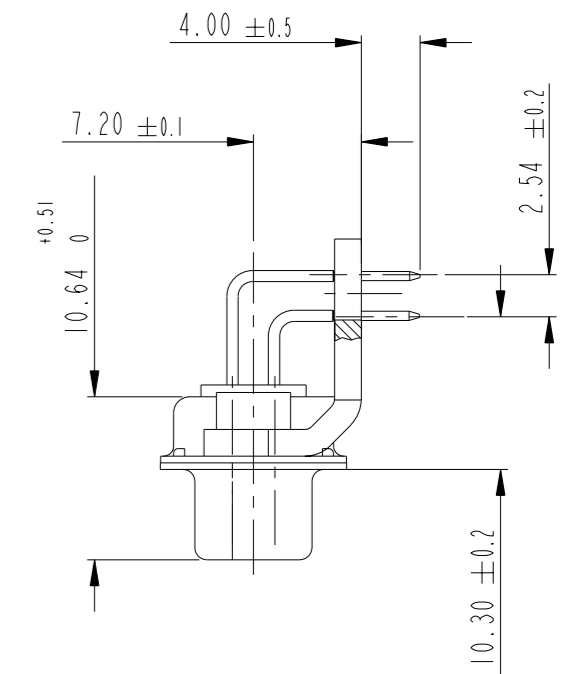
7W2

LAYOUT AND CONNECTOR DIMENSIONS



SIDE VIEW FOR ALL LAYOUTS

E-A-B-C

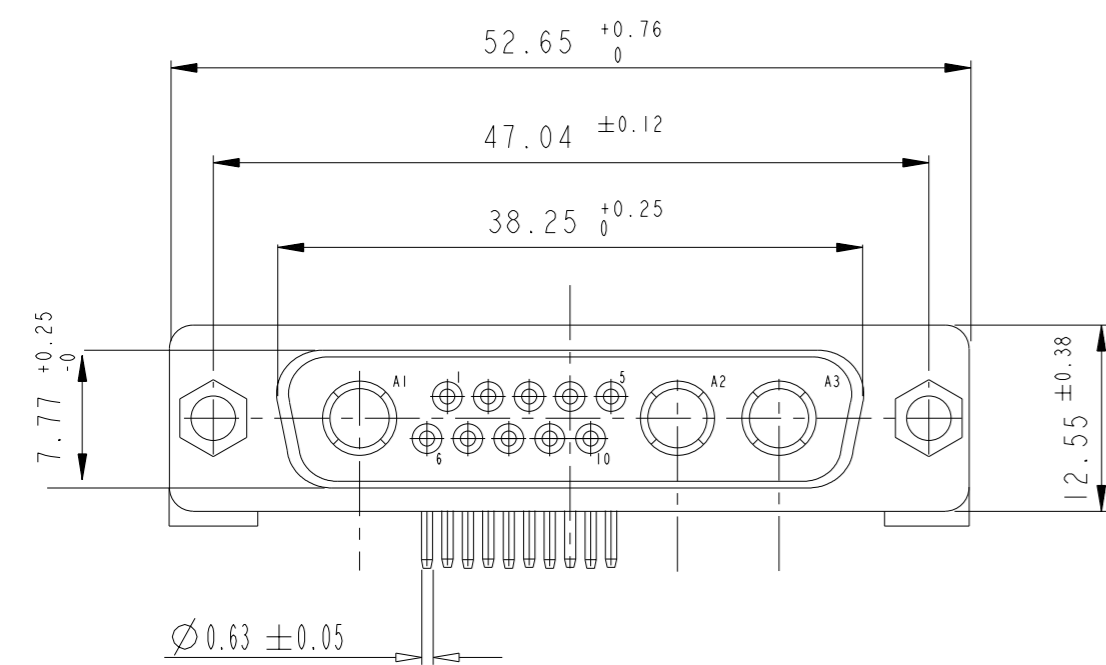
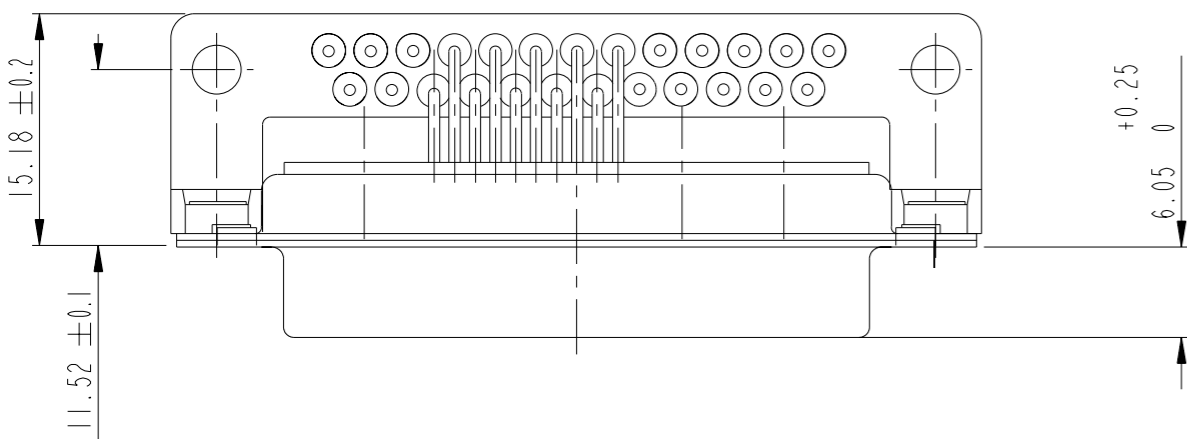
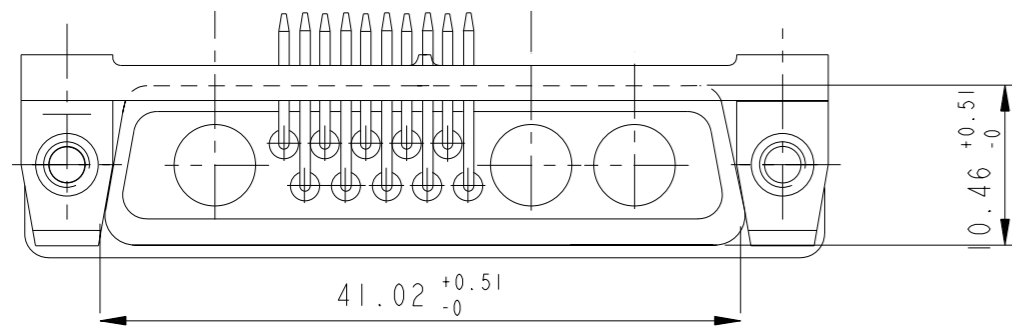
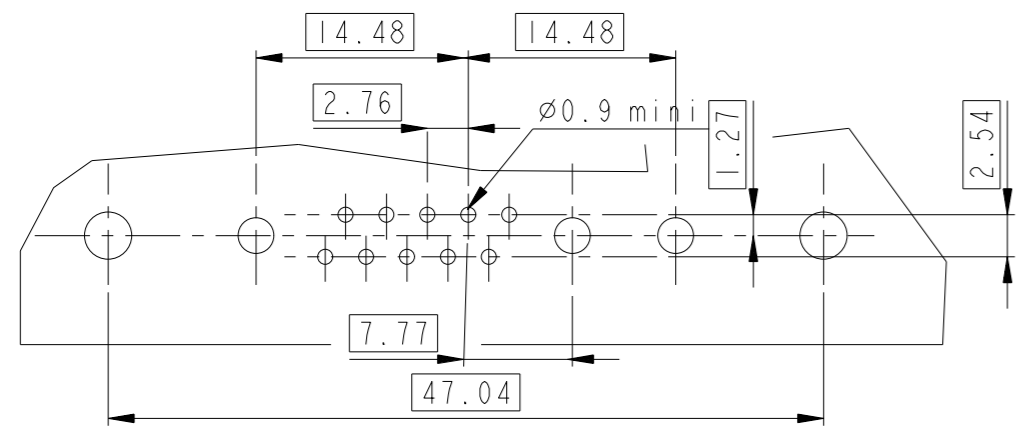


Copyright FCI. FCJ

| | | | | |
|----------------------------------|-----------|---------------------------------------|-----------------------------------|------------------|
| www.fciconnect.com | | surface ISO 1302 | tolerance std ISO 406 ISO 1101 | projection mm |
| | | TOLERANCES UNLESS OTHERWISE SPECIFIED | | mm |
| Dr | M. PESSON | 2006/11/14 | ANGULAR | 0.x ±0.3 |
| Eng | M. PESSON | 2006/11/14 | LINEAR | 0.xx ±0.1 |
| Chr | P. LEGARE | 2006/11/14 | 0° ±2° | 0.xxx ±0.05 |
| Appr | P. LEGARE | 2006/11/14 | Product family | - Spec ref |
| SUB FEMALE DMW EUROPE foot print | | mixed power right angled solder | | size A2 |
| catalog no | | CUSTOMER | | Scale 2:1 |
| dwg no | | C01-8637-1749 | | ECN LS06-0174 |
| Rev. | | A | | sheet 4 of 9 |

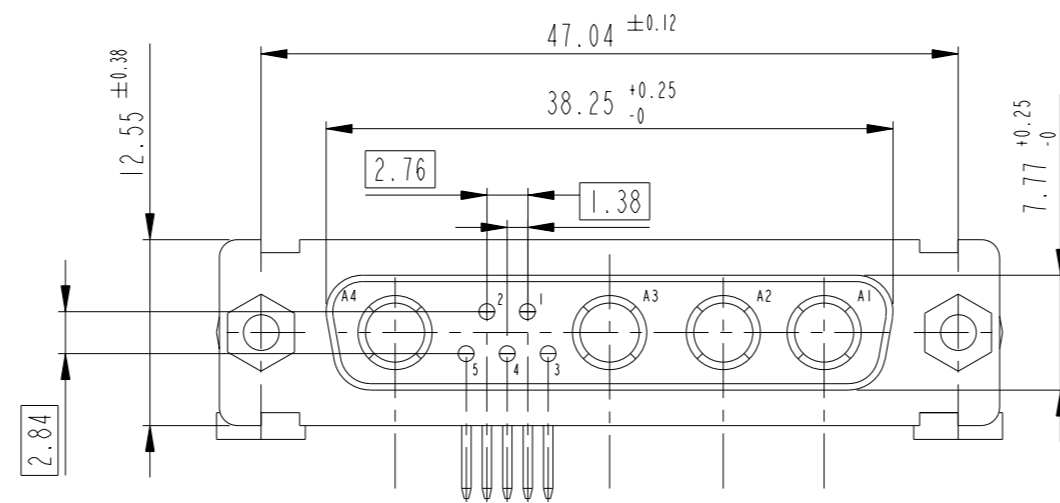
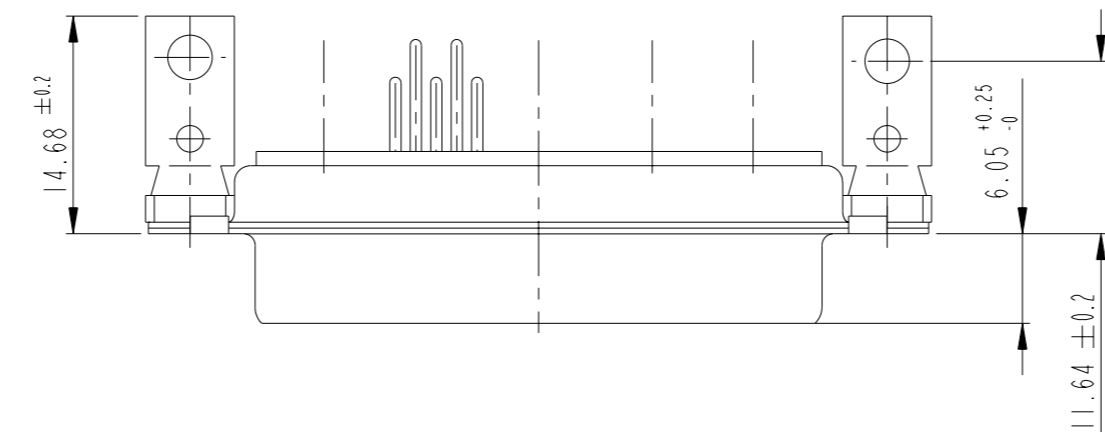
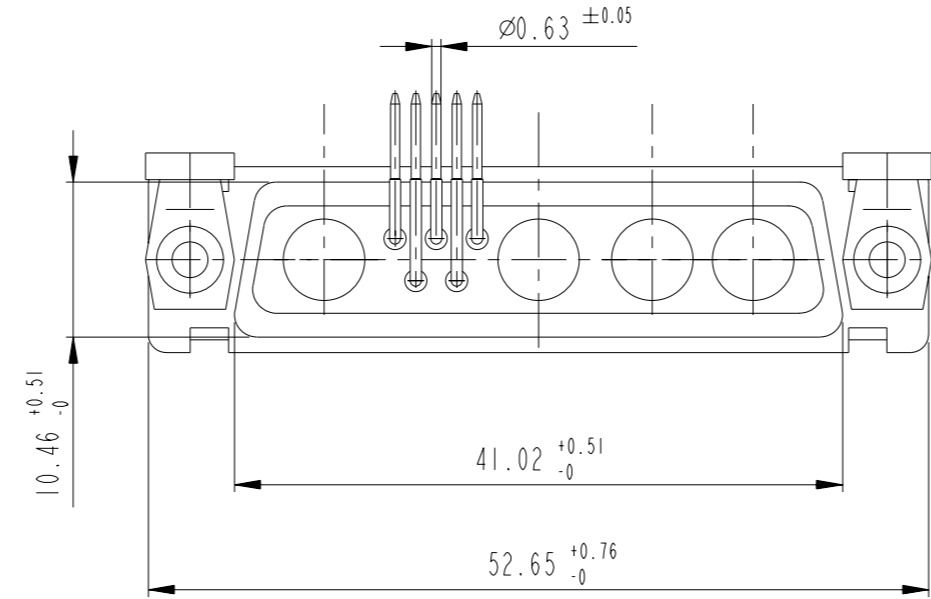
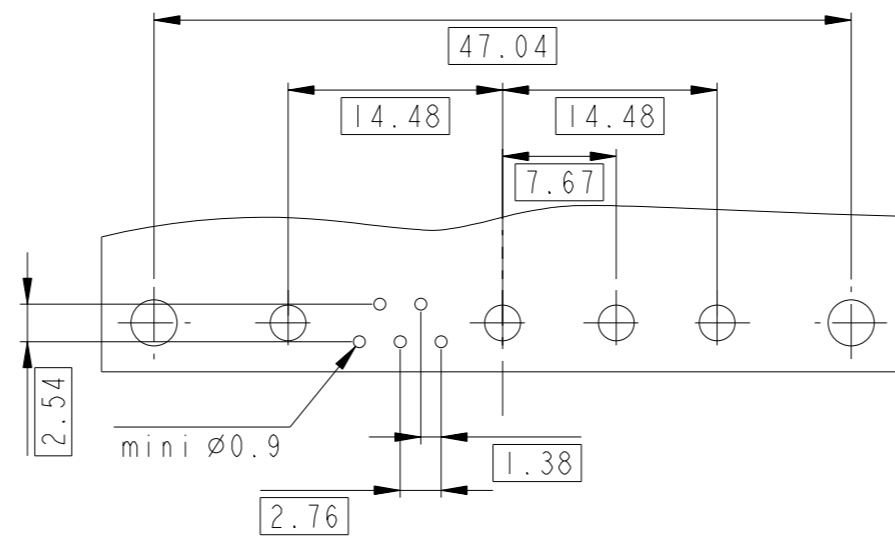
13W3

LAYOUT AND CONNECTOR DIMENSIONS



9W4

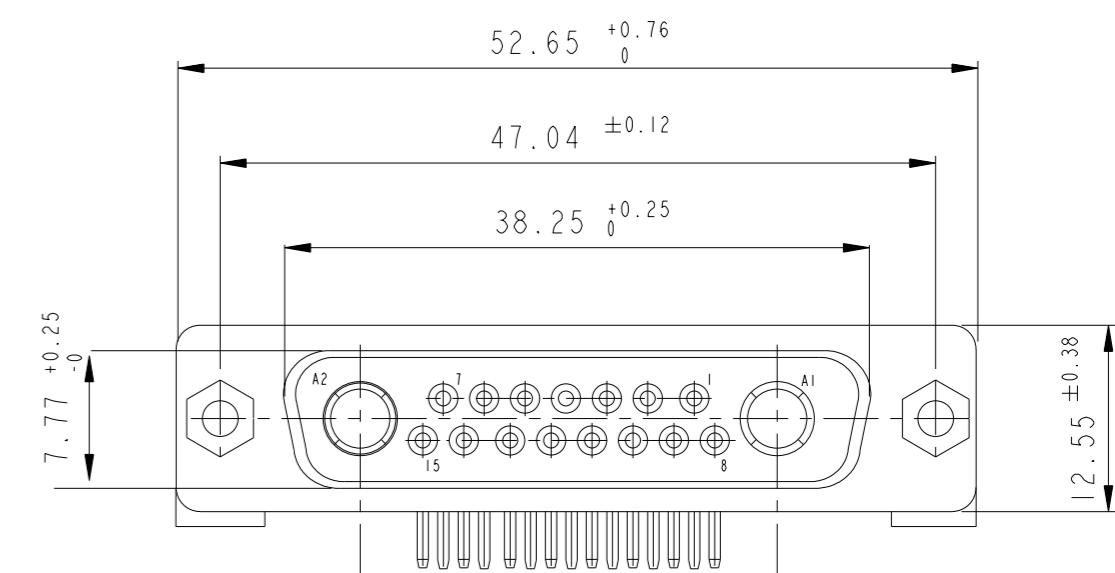
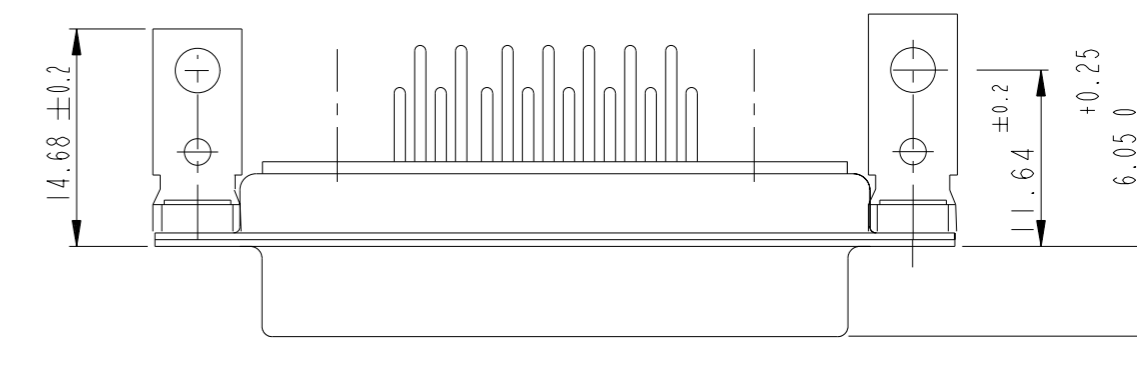
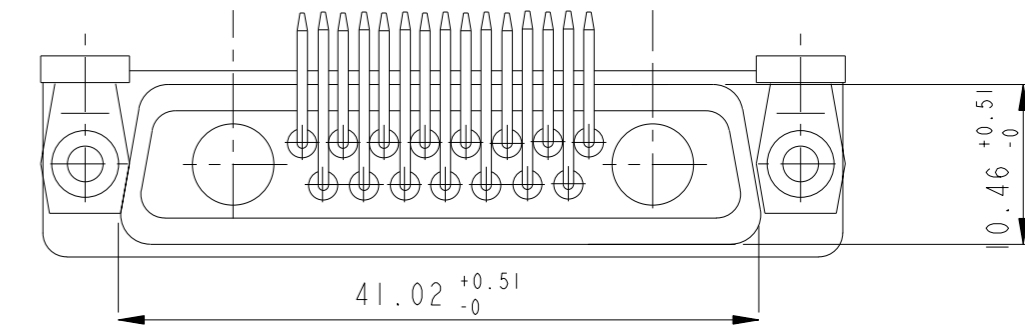
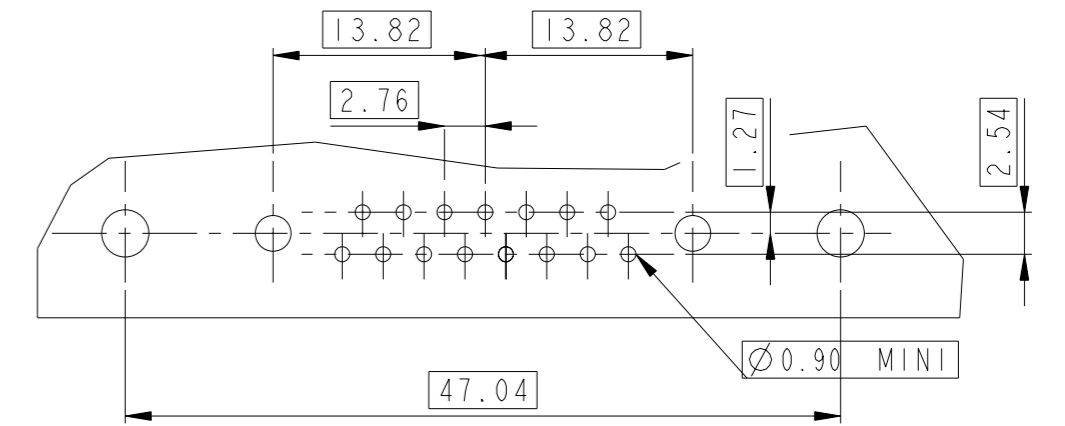
LAYOUT AND CONNECTOR DIMENSIONS



Floating signal contacts

17W2

LAYOUT AND CONNECTOR DIMENSIONS

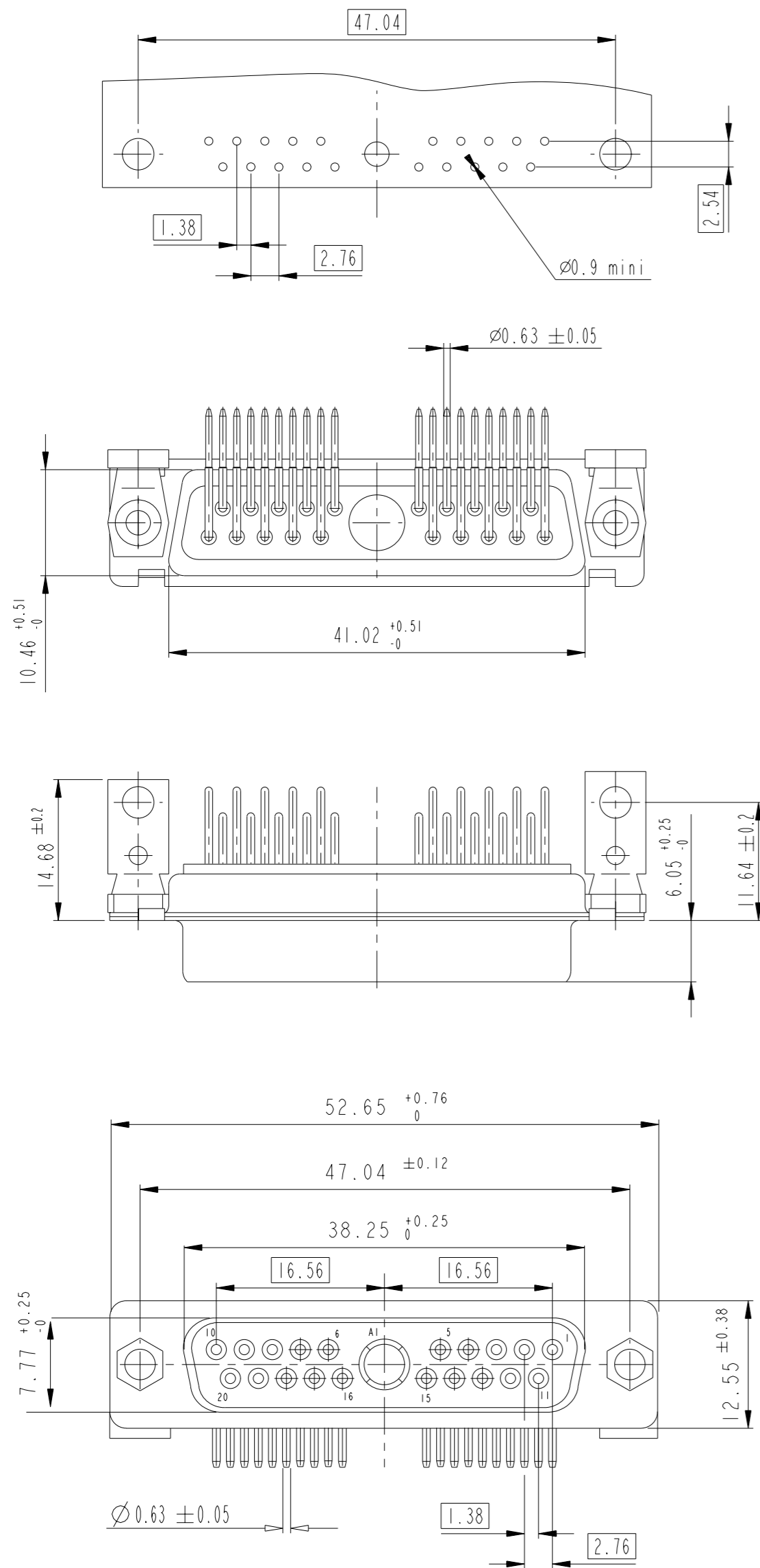


Copyright FCi

| | | | | |
|----------------------------------|----------|---------------------------------------|-----------------------------------|------------------|
| www.fciconnect.com | | surface ISO 1302 | tolerance std ISO 406 ISO 1101 | projection mm |
| | | TOLERANCES UNLESS OTHERWISE SPECIFIED | | mm |
| Dr | M.PESSON | 2006/11/14 | ANGULAR | 0.x ±0.3 |
| Eng | M.PESSON | 2006/11/14 | LINEAR | 0.xx ±0.1 |
| Chr | P.LEGARE | 2006/11/14 | 0° ±2° | 0.xxx ±0.05 |
| Appr | P.LEGARE | 2006/11/14 | Product family | - Spec ref |
| SUB FEMALE DMW EUROPE foot print | | C01-8637-1749 | | Rev. A |
| mixed power right angled solder | | CUSTOMER | | sheet 5 of 9 |

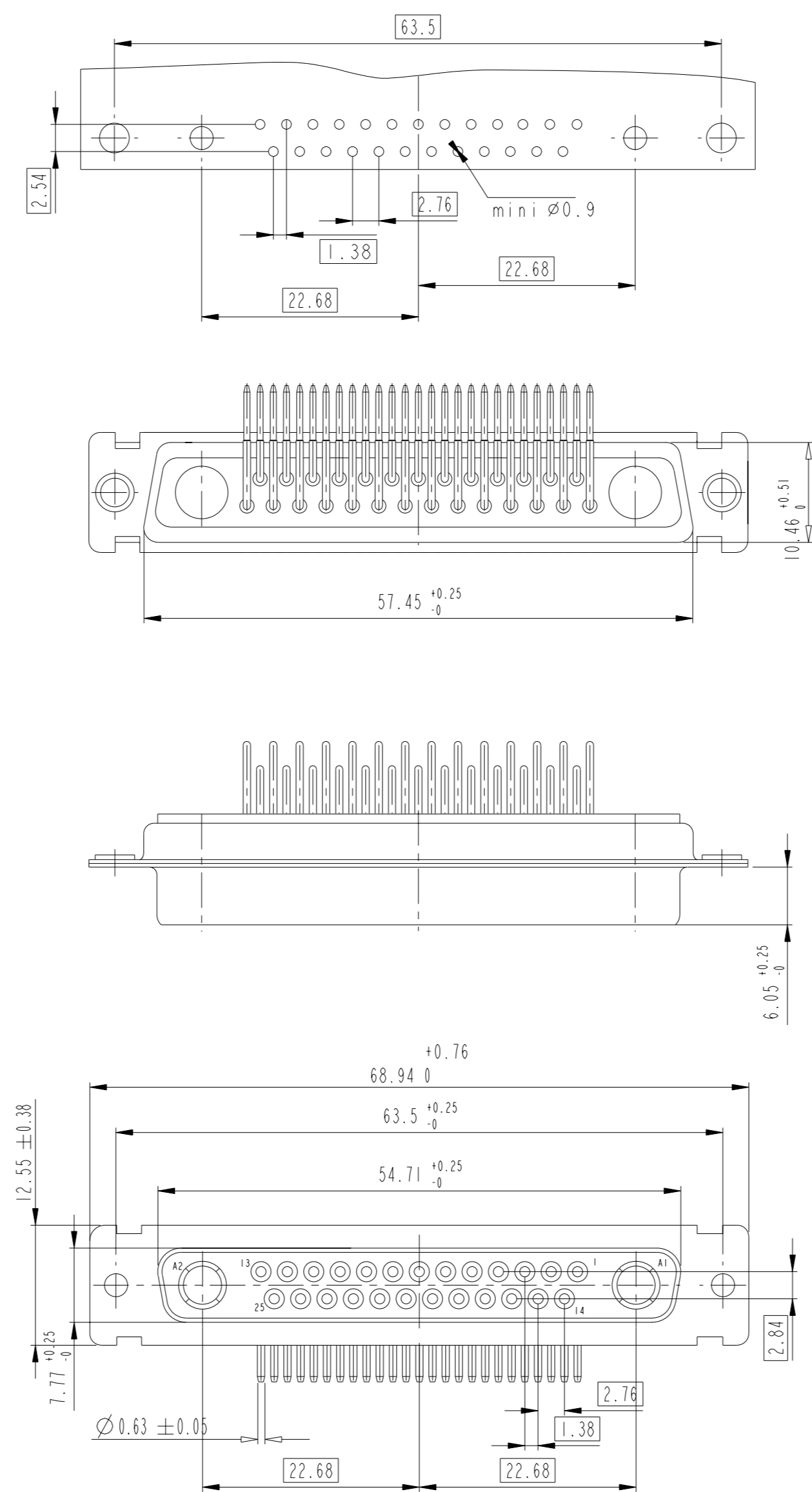
21W1

LAYOUT AND CONNECTOR DIMENSIONS



27W2

LAYOUT AND CONNECTOR DIMENSIONS



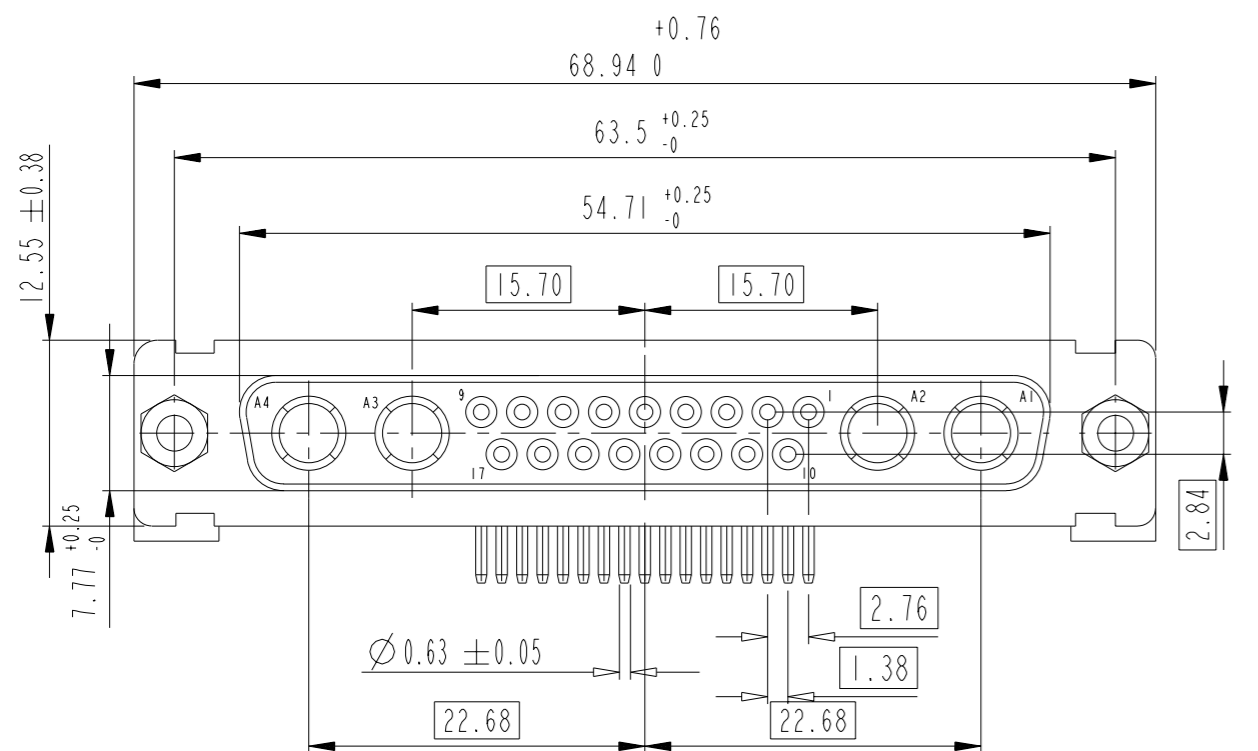
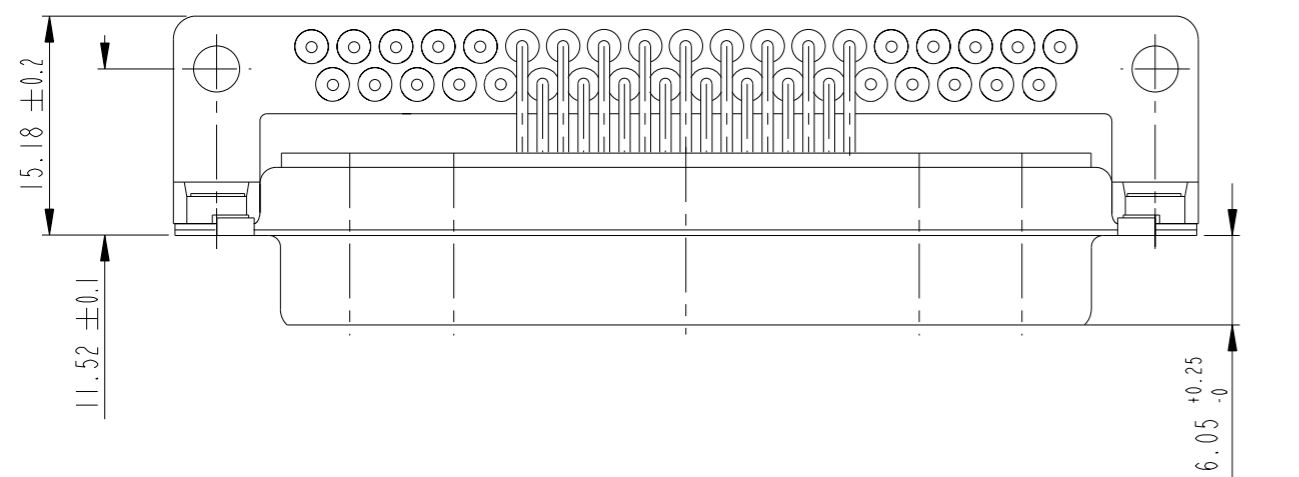
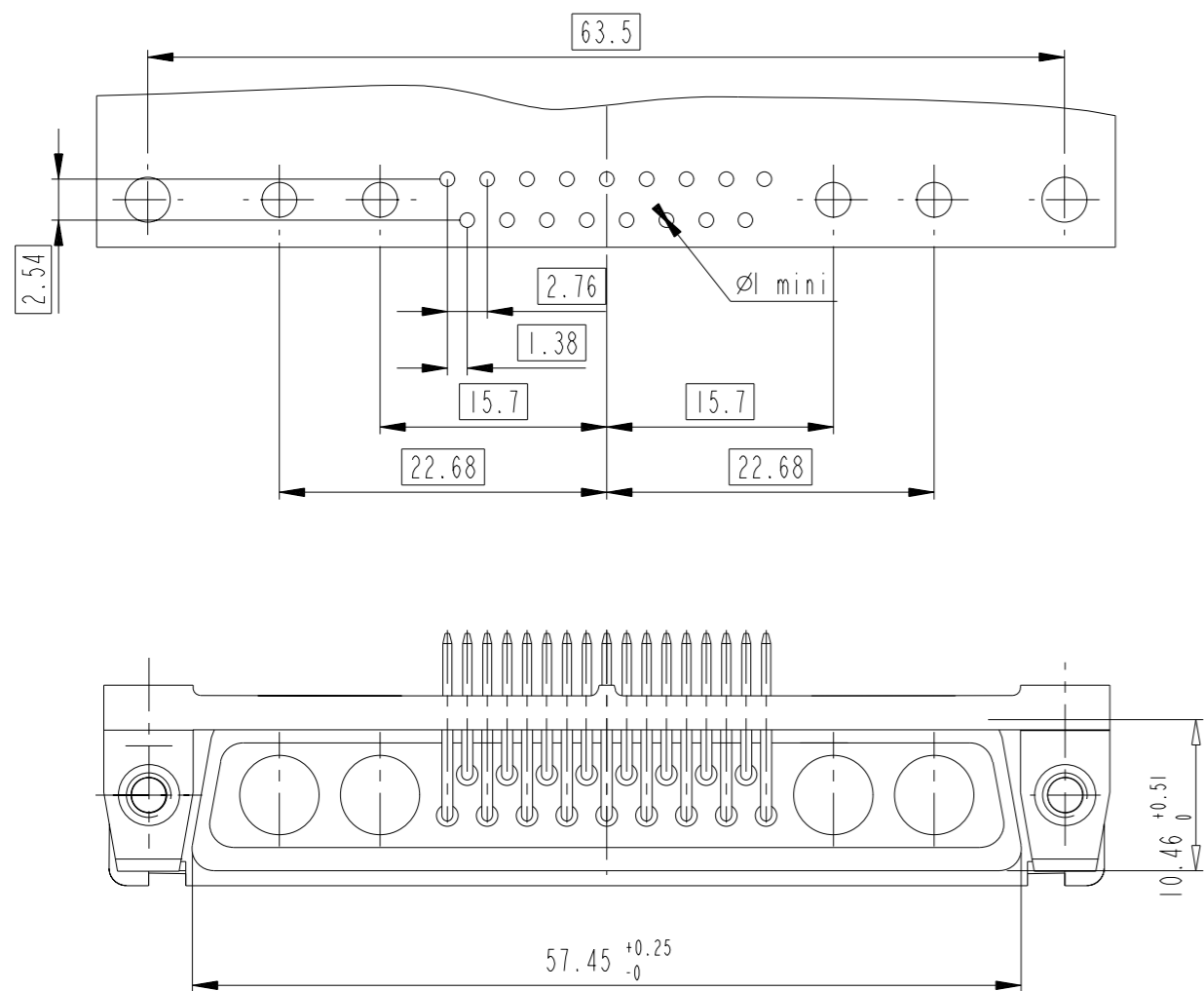
Copyright FCi

FCi

| | | | | |
|--------------------|----------|--|-----------------------------------|--|
| www.fciconnect.com | | surface ISO 1302 | tolerance std ISO 406 ISO 1101 | projection mm |
| | | TOLERANCES UNLESS OTHERWISE SPECIFIED | | mm |
| Dr | M.PESSON | 2006/11/14 | ANGULAR | size A2 |
| Eng | M.PESSON | 2006/11/14 | LINEAR | Scale 2:1 |
| Chr | P.LEGARE | 2006/11/14 | 0° ± 2° | ECN LS06-0174 |
| Appr | P.LEGARE | 2006/11/14 | Product family | - Spec ref |
| | | TITLE SUB FEMALE DMW EUROPE foot print mixed power right angled solder | | dwg no C01-8637-1749 Rev. A |
| catalog no | | CUSTOMER | | sheet 6 of 9 |

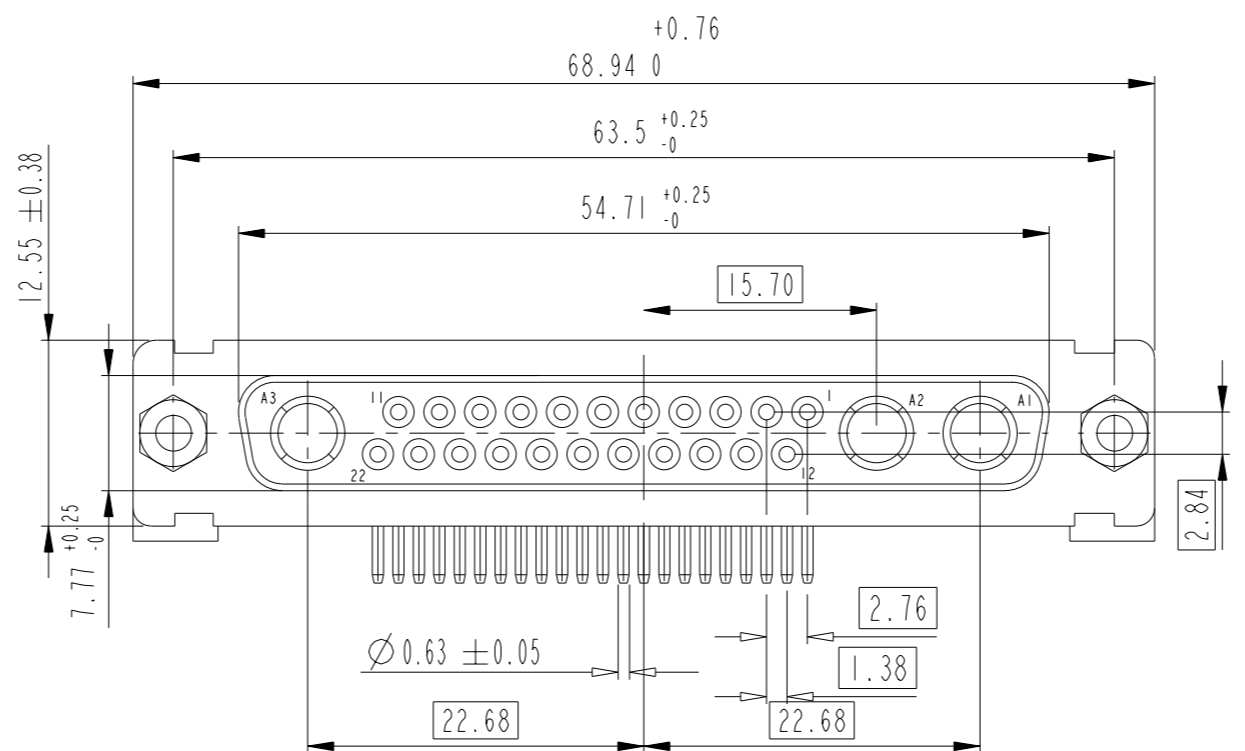
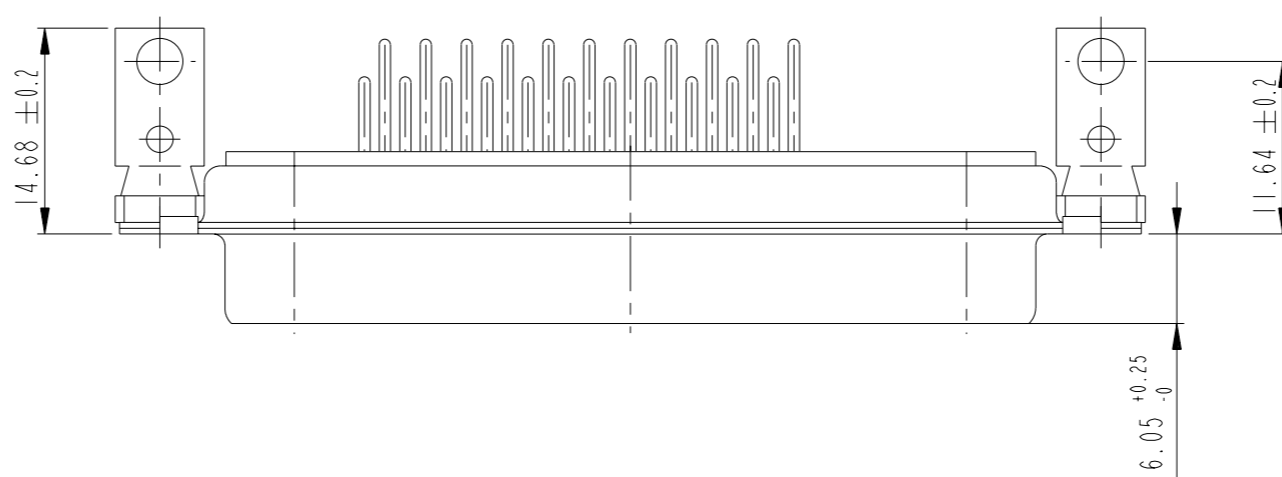
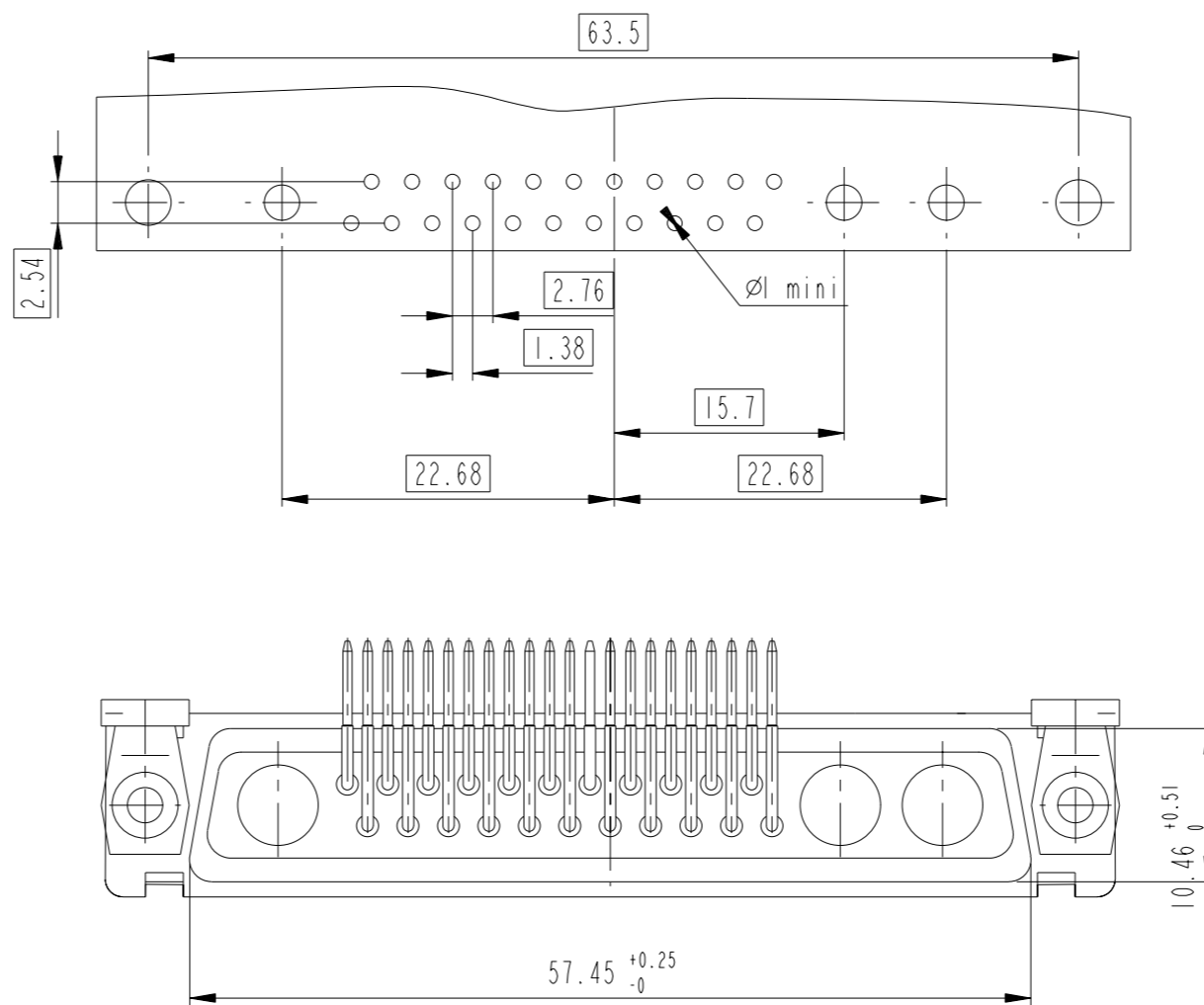
21WA4

LAYOUT AND CONNECTOR DIMENSIONS



25W3

LAYOUT AND CONNECTOR DIMENSIONS



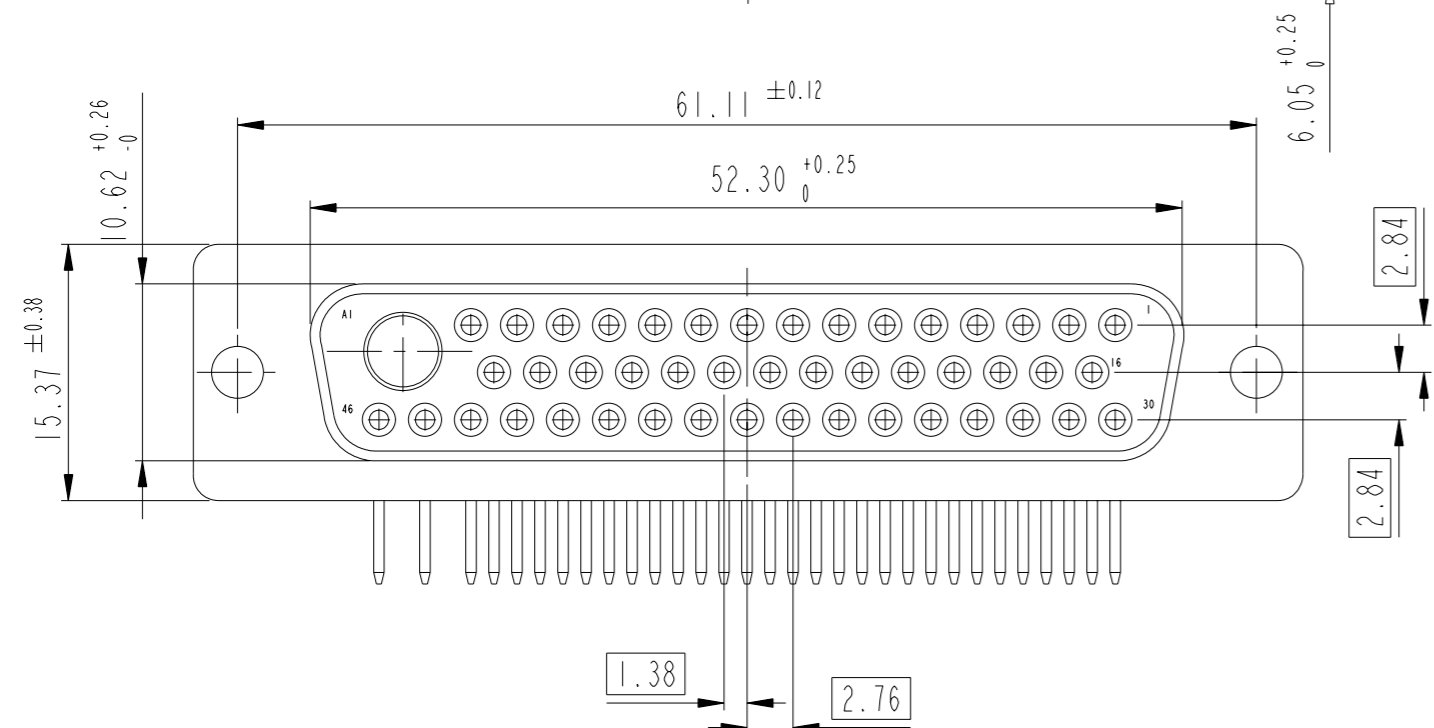
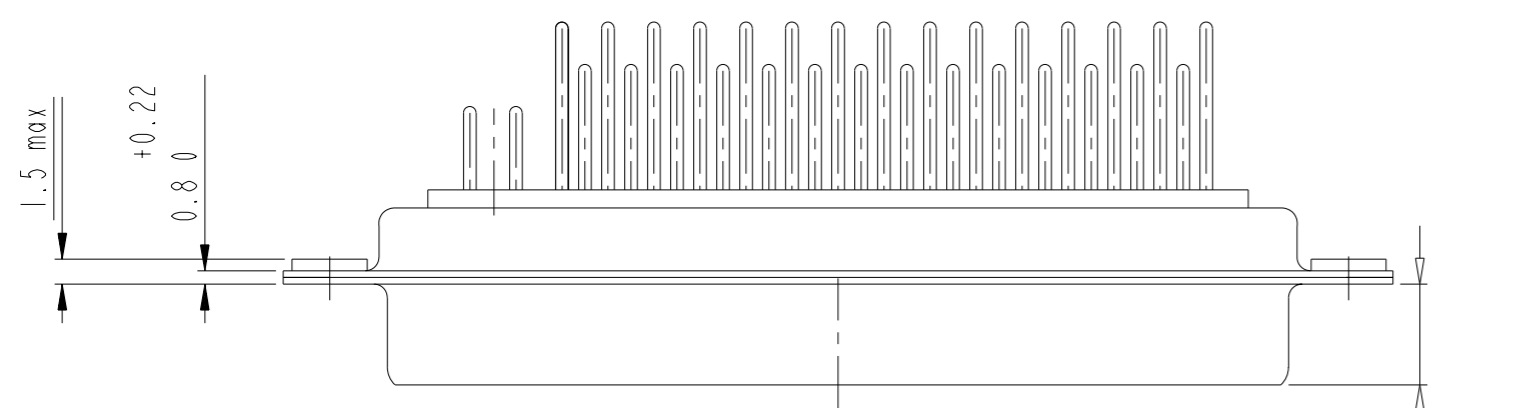
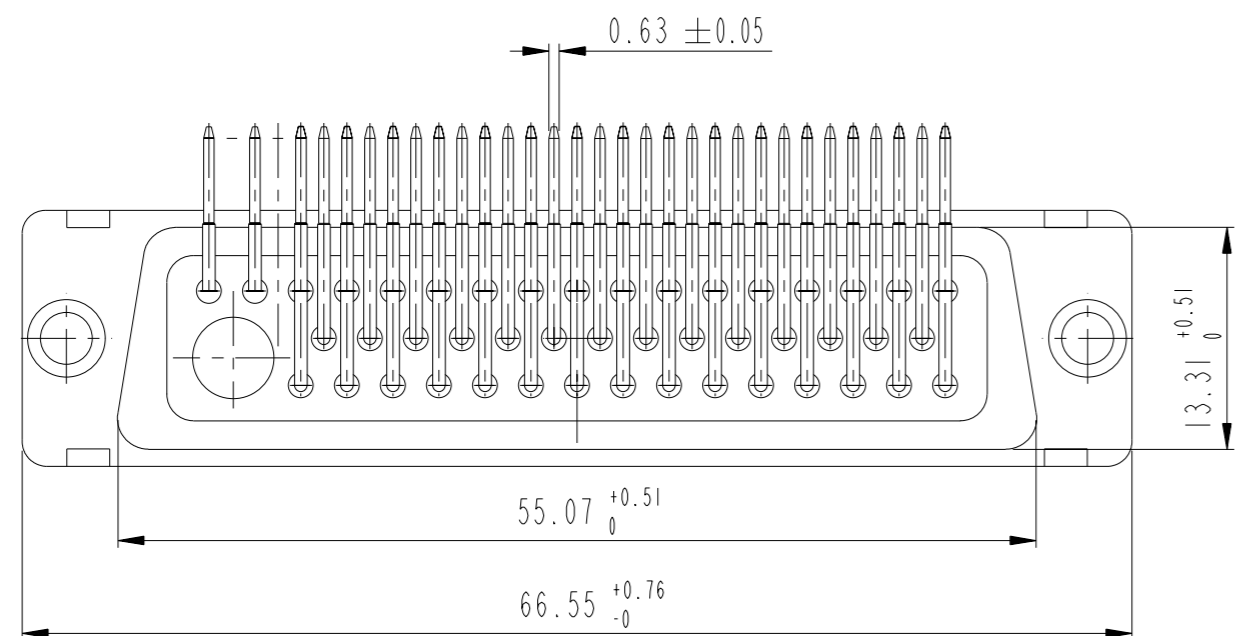
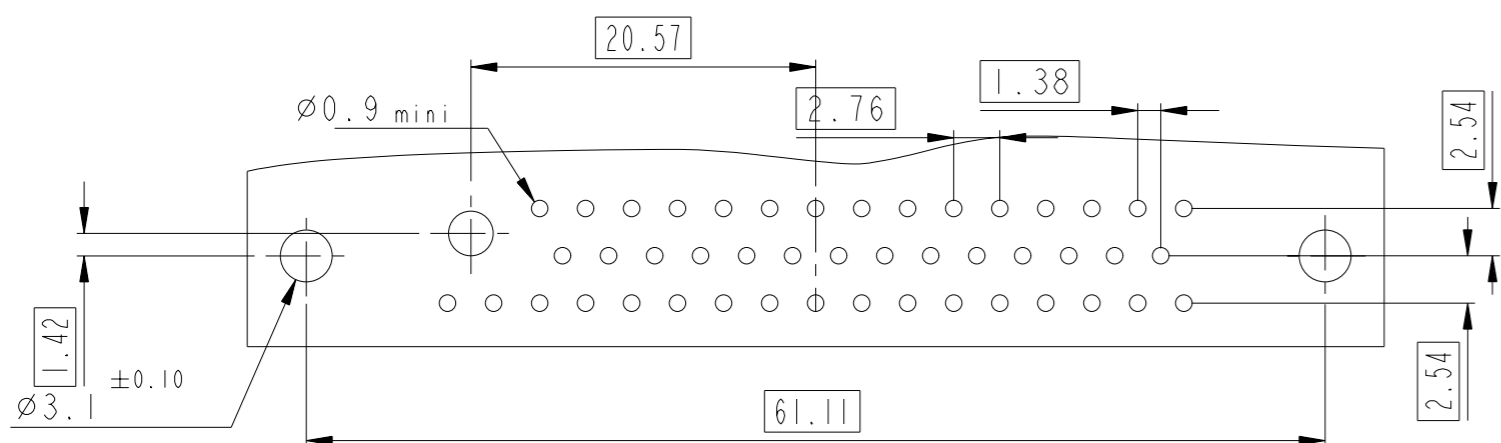
Copyright FCi.



| | | | | |
|---|-----------|---------------------------------------|---|------------------|
| www.fciconnect.com | | surface ISO 1302 | tolerance std ISO 406 ISO 1101 | projection mm |
| | | TOLERANCES UNLESS OTHERWISE SPECIFIED | | mm |
| Dr | M. PESSON | 2006/11/14 | ANGULAR | 0.x ±0.3 |
| Eng | M. PESSON | 2006/11/14 | LINEAR | 0.xx ±0.1 |
| Chr | P. LEGARE | 2006/11/14 | 0° ±2° | 0.xxx ±0.05 |
| Appr | P. LEGARE | 2006/11/14 | Product family | - Spec ref |
| FCi TITLE SUB FEMALE DMW EUROPE foot print mixed power right angled solder catalog no - | | | dwg no C01-8637-1749 Rev. A CUSTOMER sheet 7 of 9 | |

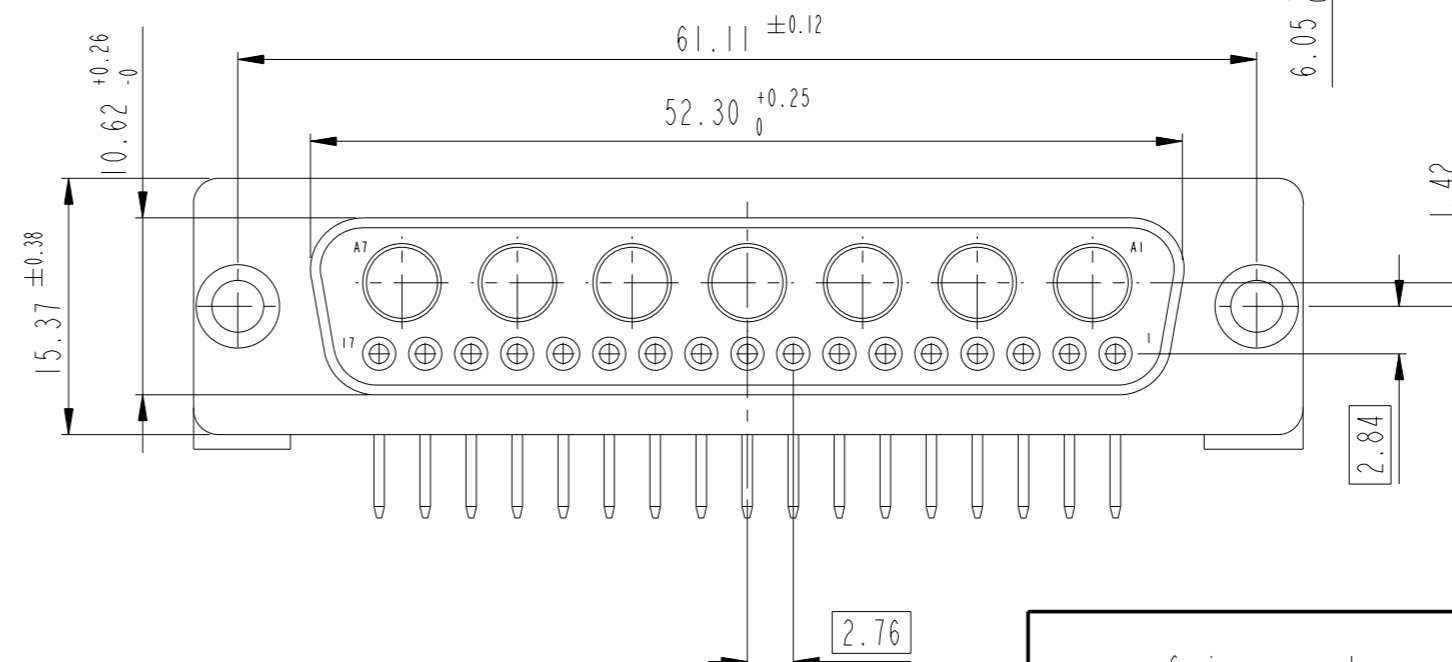
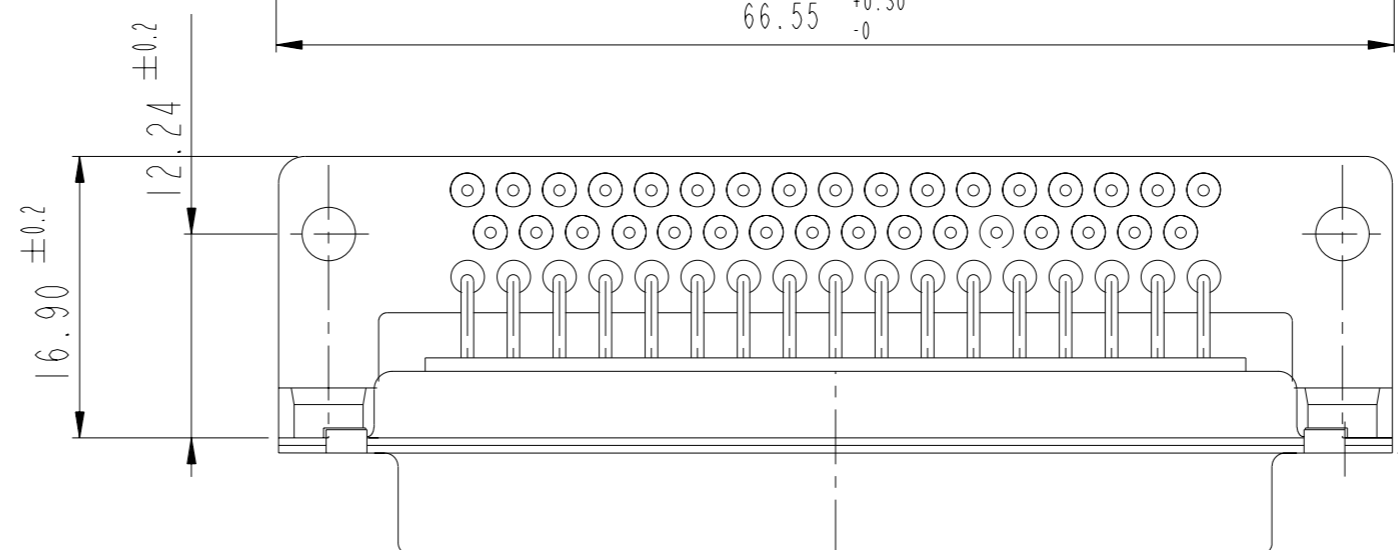
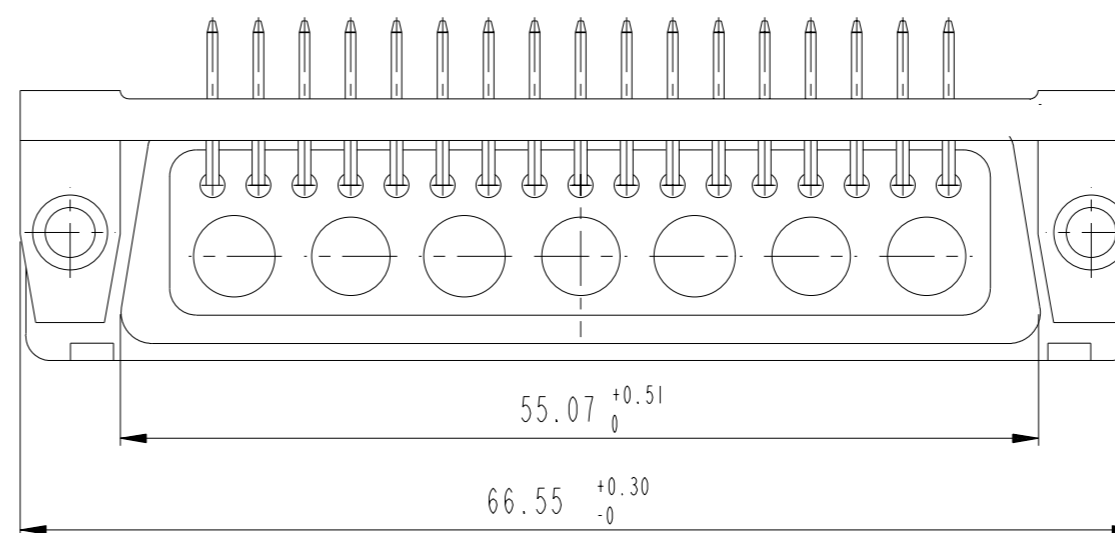
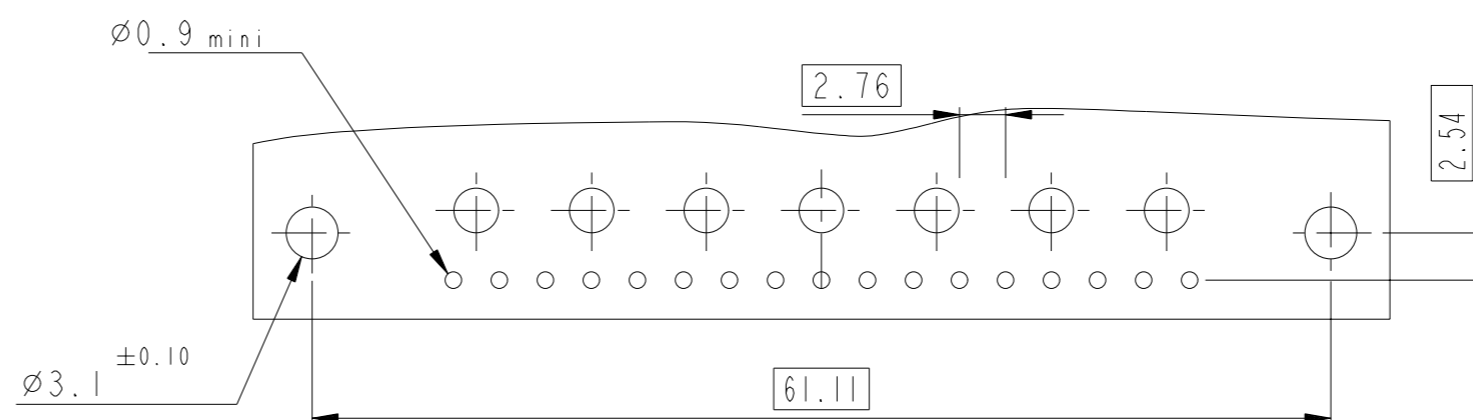
47W1

LAYOUT AND CONNECTOR DIMENSIONS



24W7

LAYOUT AND CONNECTOR DIMENSIONS



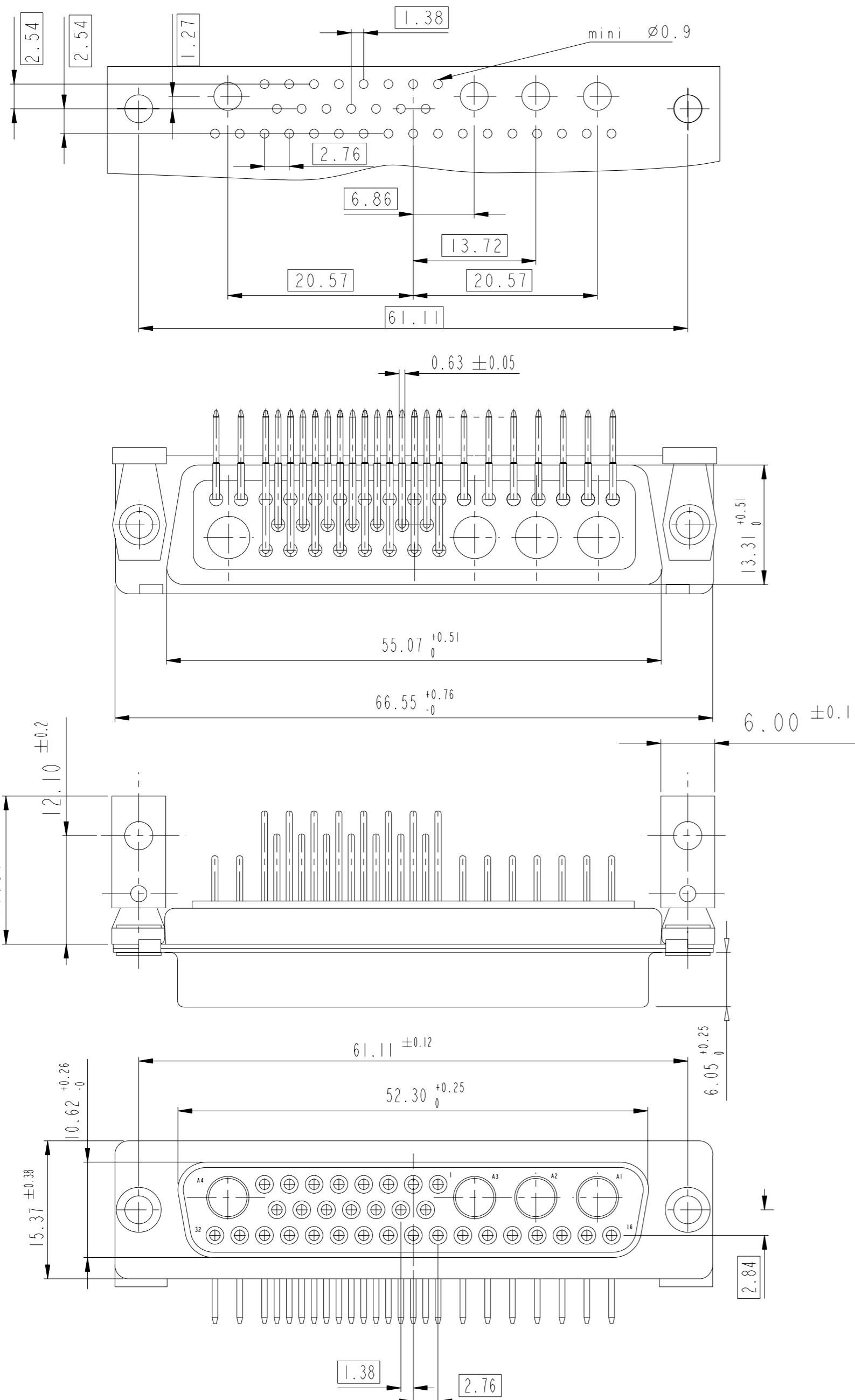
Copyright FCi



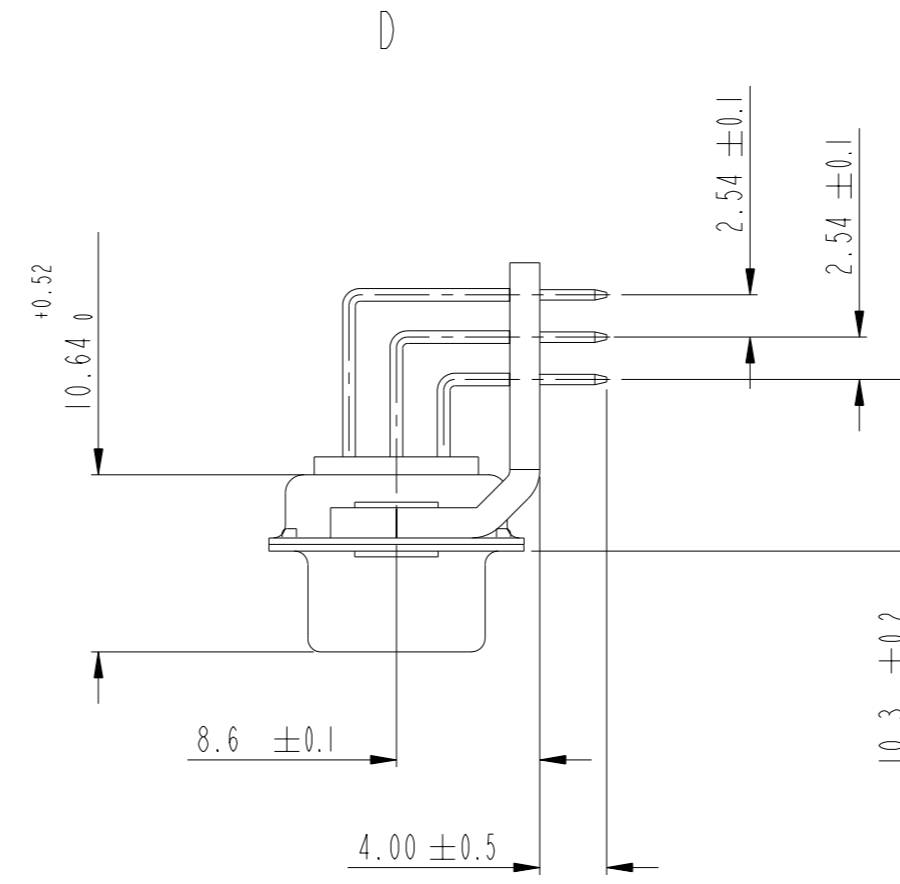
| | | | | |
|--------------------|-----------|---|-----------------------------------|--------------------------------|
| www.fciconnect.com | | surface ISO 1302 | tolerance std ISO 406 ISO 1101 | projection mm |
| | | TOLERANCES UNLESS OTHERWISE SPECIFIED | | mm |
| Dr | M. PESSON | 2006/11/14 | ANGULAR | size A2 |
| Eng | M. PESSON | 2006/11/14 | LINEAR | Scale 2:1 |
| Chr | P. LEGARE | 2006/11/14 | 0° ±2° | ECN LS06-0174 |
| Appr | P. LEGARE | 2006/11/14 | Product family | - Spec ref |
| | | title SUB FEMALE DMW EUROPE foot print mixed power right angled solder catalog no - | | dwg no C01-8637-1749 Rev. A |
| | | | CUSTOMER | sheet 8 of 9 |

36W4

LAYOUT AND CONNECTOR DIMENSIONS



SIDE VIEW FOR ALL LAYOUTS



Copyright FCi. FCi

| | | | | | | | |
|--------------------|-----------|------------|--|-----------------------------------|--|---|-----------|
| www.fciconnect.com | | | surface ISO 1302 | tolerance std ISO 406 ISO 1101 | projection mm | TOLERANCES UNLESS OTHERWISE SPECIFIED | |
| Dr | M. PESSON | 2006/11/14 | ANGULAR | 0.X | ±0.3 | size | Scale |
| Eng | M. PESSON | 2006/11/14 | LINEAR | 0.XX | ±0.1 | A2 | 2:1 |
| Chr | P. LEGARE | 2006/11/14 | 0° ± 2° | 0.XXX | ±0.05 | ECN | LS06-0174 |
| Appr | P. LEGARE | 2006/11/14 | Product family | | - Spec ref | | |
| | | | TITLE SUB FEMALE DMW EUROPE foot print mixed power right angled solder | | dwg no C01-8637-1749 Rev. A | catalog no - CUSTOMER sheet 9 of 9 | |

Компания «Океан Электроники» предлагает заключение долгосрочных отношений при поставках импортных электронных компонентов на взаимовыгодных условиях!

Наши преимущества:

- Поставка оригинальных импортных электронных компонентов напрямую с производств Америки, Европы и Азии, а так же с крупнейших складов мира;
- Широкая линейка поставок активных и пассивных импортных электронных компонентов (более 30 млн. наименований);
- Поставка сложных, дефицитных, либо снятых с производства позиций;
- Оперативные сроки поставки под заказ (от 5 рабочих дней);
- Экспресс доставка в любую точку России;
- Помощь Конструкторского Отдела и консультации квалифицированных инженеров;
- Техническая поддержка проекта, помощь в подборе аналогов, поставка прототипов;
- Поставка электронных компонентов под контролем ВП;
- Система менеджмента качества сертифицирована по Международному стандарту ISO 9001;
- При необходимости вся продукция военного и аэрокосмического назначения проходит испытания и сертификацию в лаборатории (по согласованию с заказчиком);
- Поставка специализированных компонентов военного и аэрокосмического уровня качества (Xilinx, Altera, Analog Devices, Intersil, Interpoint, Microsemi, Actel, Aeroflex, Peregrine, VPT, Syfer, Eurofarad, Texas Instruments, MS Kennedy, Miteq, Cobham, E2V, MA-COM, Hittite, Mini-Circuits, General Dynamics и др.);

Компания «Океан Электроники» является официальным дистрибьютором и эксклюзивным представителем в России одного из крупнейших производителей разъемов военного и аэрокосмического назначения «JONHON», а так же официальным дистрибьютором и эксклюзивным представителем в России производителя высокотехнологичных и надежных решений для передачи СВЧ сигналов «FORSTAR».



JONHON

«JONHON» (основан в 1970 г.)

Разъемы специального, военного и аэрокосмического назначения:

(Применяются в военной, авиационной, аэрокосмической, морской, железнодорожной, горно- и нефтедобывающей отраслях промышленности)

«FORSTAR» (основан в 1998 г.)

ВЧ соединители, коаксиальные кабели, кабельные сборки и микроволновые компоненты:

(Применяются в телекоммуникациях гражданского и специального назначения, в средствах связи, РЛС, а так же военной, авиационной и аэрокосмической отраслях промышленности).



Телефон: 8 (812) 309-75-97 (многоканальный)

Факс: 8 (812) 320-03-32

Электронная почта: ocean@oceanchips.ru

Web: <http://oceanchips.ru/>

Адрес: 198099, г. Санкт-Петербург, ул. Калинина, д. 2, корп. 4, лит. А