

Smart Sensors (with Ultra-High-Speed CCD Camera)

ZFV Series



Ordering Information

■ Sets of Sensor Head and Amplifier Unit

| Type | NPN | PNP |
|-----------------------------|-----------|-----------|
| Narrow View/Single Function | ZFV-R1010 | ZFV-R1015 |
| Narrow View/Standard | ZFV-R1020 | ZFV-R1025 |
| Wide View/Single Function | ZFV-R5010 | ZFV-R5015 |
| Wide View/Standard | ZFV-R5020 | ZFV-R5025 |

■ Sensor Heads

| Appearance | Type | Working length | Sensing area | Model |
|------------|-------------|-------------------------|--|----------|
| | Narrow View | 34 to 49 mm (variable) | 5 × 4.6 mm (H × V) to 9 × 8.3 mm (H × V) | ZFV-SR10 |
| | Wide View | 38 to 194 mm (variable) | 10 × 9.2 mm (H × V) to 50 × 46 mm (H × V) | ZFV-SR50 |

■ Amplifier Units


| Appearance | Type | Power supply | Output type | Model |
|------------|-----------------|--------------|-------------|---------|
| | Single Function | 24 VDC ± 10% | NPN | ZFV-A10 |
| | | | PNP | ZFV-A15 |
| | Standard | | NPN | ZFV-A20 |
| | | | PNP | ZFV-A25 |

■ Accessories (Order Separately)

Data Storage Units

| Appearance | Power supply | Output type | Model |
|------------|--------------|-------------|----------|
| | 24 VDC | NPN | ZS-DSU11 |
| | | PNP | ZS-DSU41 |

Controller Link Unit


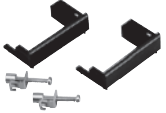
| Appearance | Model |
|---|--------|
|  | ZS-XCN |

Sensor Head Extension Cable

| Cable length | Model | Quantity |
|--------------|------------------------|----------|
| 3 m | ZFV-XC3BV2 (See note.) | 1 |
| 8 m | ZFV-XC8BV2 | 1 |

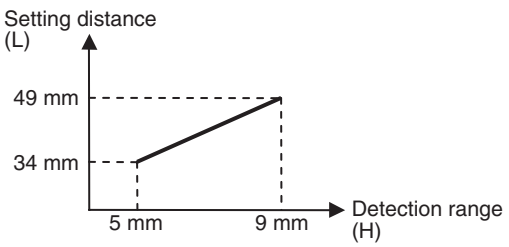
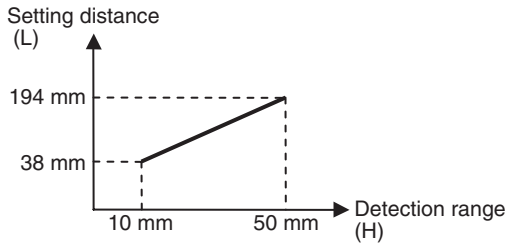
Note: ZFV-XC3BRV2 Robot Cable is also available.

Panel-mounting Adapter

| Appearance | Model | |
|---|---------|----------------------------------|
|  | ZS-XPM1 | First Unit |
|  | ZS-XPM2 | Additional Units (for expansion) |

Specifications

■ Sensor Heads

| Item | ZFV-SR10 (Narrow View) | ZFV-SR50 (Wide View) |
|---|---|--|
| Setting distance (L) | 34 to 49 mm | 38 to 194 mm |
| Detection range (H × V) | 5 × 4.6 mm to 9 × 8.3 mm | 10 × 9.2 mm to 50 × 46 mm |
| Relation between setting distance and detection range |  |  |
| Guide light | Provided (center, sensing area) | |
| Built-in lens | Focus: f15.65 | Focus: f13.47 |
| Object lighting method | Pulse lighting | |
| Object light source | Eight red LEDs | |
| Sensing element | 1/3-inch CCD, partial scan | |
| Shutter | Electronic shutter, shutter time: 1/1,000 to 1/4,000 | |
| Power supply voltage | 15 VDC (Supplied from Amplifier Unit.) | |
| Current consumption | Approx. 200 mA | |
| Dielectric strength | 1,000 VAC, 50/60 Hz for 1 min | |
| Vibration resistance (destruction) | 10 to 150 Hz, 0.35-mm single amplitude, 10 times each in X, Y, and Z directions for 8 min | |
| Shock resistance (destruction) | 150 m/s ² , three times each in six directions (up/down, left/right, forward/backward) | |
| Ambient temperature | Operating: 0 to 40°C, Storage: -25 to 65°C (with no icing or condensation) | |
| Ambient humidity | Operating and storage: 35% to 85% (with no condensation) | |
| Ambient atmosphere | Must be free of corrosive gas. | |
| Connection method | Prewired, Standard cable length: 2 m | |
| Degree of protection | IEC60529, IP65 | |
| Materials | Case: ABS, Mounting bracket: PBT | |
| Weight | Approx. 200 g (including mounting bracket and cord) | |
| Accessories | Mounting bracket (1), Ferrite core (1), Instruction sheet | |

■ Amplifier Units

| Item | Single-function models | | Standard models | |
|-------------------------------|---|---|---|---------|
| | ZFV-A10 | ZFV-A15 | ZFV-A20 | ZFV-A25 |
| Output method | NPN | PNP | NPN | PNP |
| Output | NPN: NPN open-collector output, 50 mA max. at 30 VDC, Residual voltage: 1.2 V max. PNP: PNP open-collector output, 50 mA max., Residual voltage: 1.2 V max. | | | |
| Inspection items | Pattern (PTRN), Brightness (BRGT) | | Patterns (PTRN), Brightness (BRGT), Area (AREA), Width (WID), Position (POSI), Count (CNT), Characters (CHAR) | |
| Teaching area | Rectangular, one area | | | |
| Teaching area size | <ul style="list-style-type: none"> • Pattern (PTRN), Brightness (BRGT): Any rectangular area (256 × 256 max.) • Area (AREA), Width (WID), Position (POSI), Count (CNT), Characters (CHAR): Any rectangular area (full screen max.) | | | |
| Sensing area | Full screen | | | |
| Resolution | 468 × 432 (H × V) max. | | | |
| Bank selection | Supported for 8 banks. | | | |
| Response time | Pattern (PTRN), Brightness (BRGT): High-speed: 4 ms, Standard: 8 ms, High-precision: 12 ms Area (AREA), Width (WID), Position (POSI), Count (CNT), Characters (CHAR): 128 × 128: 15 ms max. | | | |
| Other functions | Control output switching: ON for OK or ON for NG ON delay/OFF delay, One-shot output, "ECO" mode | | | |
| Output signals | (1) Control output (OUTPUT), (2) Enable output (ENABLE), (3) Error output (ERROR) | | | |
| Input signals | (1) Simultaneous measurement input (TRIG) or Continuous measurement input (TRIG), Switched by using menu. (2) Bank selection inputs (BANK1 to BANK3) (3) Workpiece still teaching (TEACH) or Workpiece moving teaching (TEACH), Switched by using menu. | | | |
| Connect- ing to ZS- DSU | Image log- ging trigger | Stores NG images or all images. | | |
| | Sampling rate | ZFV measurement cycle (See note 1.) | | |
| | Number of logged im- age | Logs up to 128 images in series | | |
| | Number of connected | 15 max. (ZFV: 5 Units max., ZS-LDC: 9 Units max., ZS-MDC (See note 2.): 1 Unit max.) | | |
| | External bank func- tion | Amplifier Unit setting data can be saved to the memory card as bank data. Reading bank data enables bank switching. | | |
| Sensor Head interface | Digital interface | | | |
| Image display | Compact TFT 1.8-inch LCD (Display dots: 557 × 234) | | | |
| Indicators | <ul style="list-style-type: none"> • Judgement result indicator (OUTPUT) • Inspection mode indicator (RUN) | | | |
| Operation interface | <ul style="list-style-type: none"> • Cursor keys (up, down, left, right) • Setting key (SET) • Escape key (ESC) • Operating mode switching (slide switch) • Menu switching (slide switch) • Teaching/Display switching key (TEACH/VIEW) | | | |
| Power supply voltage | 20.4 to 26.4 VDC (including ripple) | | | |
| Current consumption | 600 mA max. (with Sensor Head connected) | | | |
| Dielectric strength | 1,000 VAC, 50/60 Hz for 1 min between leads and Amplifier Unit case | | | |
| Noise immunity | 1 kV, Pulse rise: 5 ns, Pulse width: 50 ns, Burst duration: 15 ms, Cycle: 300 ms | | | |
| Vibration resistance | Destruction: 10 to 150 Hz, 0.1-mm single amplitude, 10 times each in X, Y, and Z directions for 8 min | | | |
| Shock resistance | Destruction: 150 m/s ² , three times each in six directions (up/down, left/right, forward/backward) | | | |
| Ambient temperature | Operating: 0 to 50°C Storage: -25 to 65°C (with no icing or condensation) | | | |
| Ambient humidity | Operating and storage: 35% to 85% | | | |
| Ambient atmosphere | Must be free of corrosive gas. | | | |
| Degree of protection | IEC60529, IP20 | | | |
| Materials | Polycarbonate | | | |
| Weight | Approx. 300 g (including cord) | | | |
| Accessories | Ferrite core (1), Instruction sheet | | | |

Note 1. This is the sampling rate when logging images. To log measurement data only, use the ZS-DSU settings.

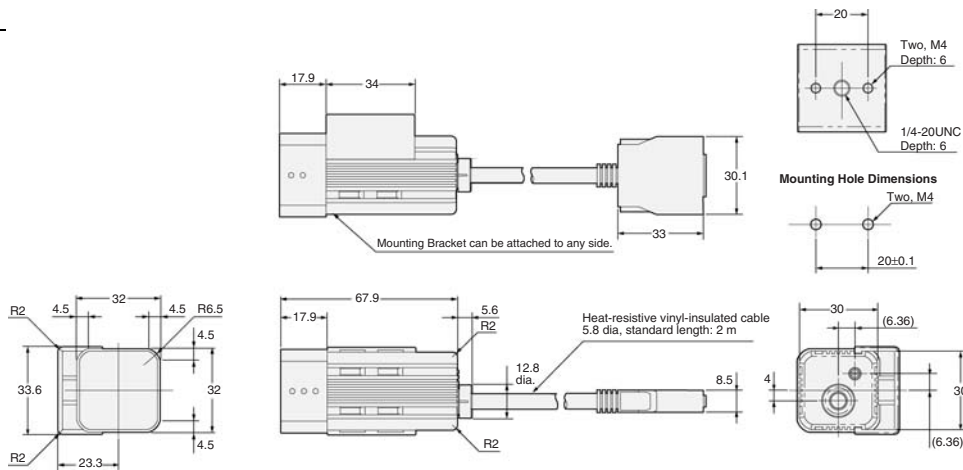
2. Image logging is not possible when the ZS-MDC is connected.

Dimensions

Note: All units are in millimeters unless otherwise indicated.

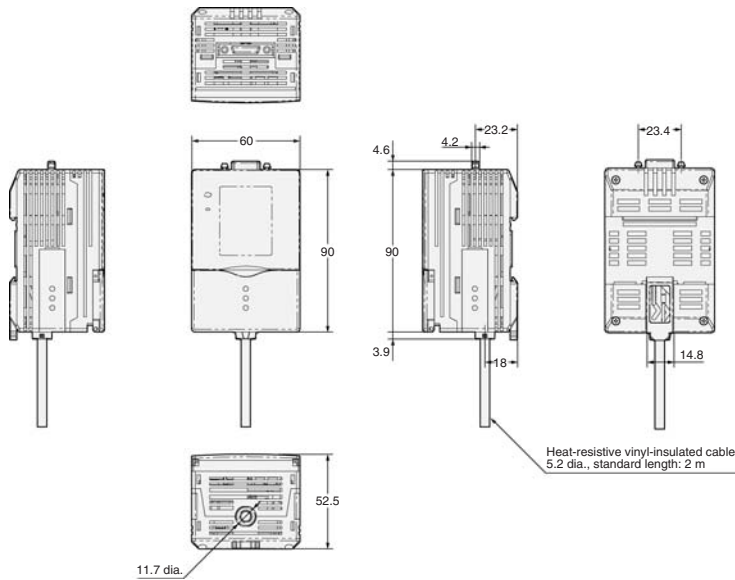
Sensor Heads

ZFV-SR□



Amplifier Units

ZFV-A□



This document provides information mainly for selecting suitable models. Please read the User's manual carefully for information that the user must understand and accept before purchase, including information on warranty, limitations of liability, and precautions.

- The application examples provided in this catalog are for reference only. Check functions and safety of the equipment before use.
- Never use the products for any application requiring special safety requirements, such as nuclear energy control systems, railroad systems, aviation systems, medical equipment, amusement machines, vehicles, safety equipment, or other application involving serious risk to life or property, without ensuring that the system as a whole has been designed to address the risks, and that the OMRON products are properly rated and installed for the intended use within the overall equipment or system.

Read and Understand This Catalog

Please read and understand this catalog before purchasing the products. Please consult your OMRON representative if you have any questions or comments.

Warranty and Limitations of Liability

WARRANTY

OMRON's exclusive warranty is that the products are free from defects in materials and workmanship for a period of one year (or other period if specified) from date of sale by OMRON.

OMRON MAKES NO WARRANTY OR REPRESENTATION, EXPRESS OR IMPLIED, REGARDING NON-INFRINGEMENT, MERCHANTABILITY, OR FITNESS FOR PARTICULAR PURPOSE OF THE PRODUCTS. ANY BUYER OR USER ACKNOWLEDGES THAT THE BUYER OR USER ALONE HAS DETERMINED THAT THE PRODUCTS WILL SUITABLY MEET THE REQUIREMENTS OF THEIR INTENDED USE. OMRON DISCLAIMS ALL OTHER WARRANTIES, EXPRESS OR IMPLIED.

LIMITATIONS OF LIABILITY

OMRON SHALL NOT BE RESPONSIBLE FOR SPECIAL, INDIRECT, OR CONSEQUENTIAL DAMAGES, LOSS OF PROFITS, OR COMMERCIAL LOSS IN ANY WAY CONNECTED WITH THE PRODUCTS, WHETHER SUCH CLAIM IS BASED ON CONTRACT, WARRANTY, NEGLIGENCE, OR STRICT LIABILITY.

In no event shall responsibility of OMRON for any act exceed the individual price of the product on which liability is asserted.

IN NO EVENT SHALL OMRON BE RESPONSIBLE FOR WARRANTY, REPAIR, OR OTHER CLAIMS REGARDING THE PRODUCTS UNLESS OMRON'S ANALYSIS CONFIRMS THAT THE PRODUCTS WERE PROPERLY HANDLED, STORED, INSTALLED, AND MAINTAINED AND NOT SUBJECT TO CONTAMINATION, ABUSE, MISUSE, OR INAPPROPRIATE MODIFICATION OR REPAIR.

Application Considerations

SUITABILITY FOR USE

OMRON shall not be responsible for conformity with any standards, codes, or regulations that apply to the combination of products in the customer's application or use of the product.

At the customer's request, OMRON will provide applicable third party certification documents identifying ratings and limitations of use that apply to the products. This information by itself is not sufficient for a complete determination of the suitability of the products in combination with the end product, machine, system, or other application or use.

The following are some examples of applications for which particular attention must be given. This is not intended to be an exhaustive list of all possible uses of the products, nor is it intended to imply that the uses listed may be suitable for the products:

- Outdoor use, uses involving potential chemical contamination or electrical interference, or conditions or uses not described in this catalog.
- Nuclear energy control systems, combustion systems, railroad systems, aviation systems, medical equipment, amusement machines, vehicles, safety equipment, and installations subject to separate industry or government regulations.
- Systems, machines, and equipment that could present a risk to life or property.

Please know and observe all prohibitions of use applicable to the products.

NEVER USE THE PRODUCTS FOR AN APPLICATION INVOLVING SERIOUS RISK TO LIFE OR PROPERTY WITHOUT ENSURING THAT THE SYSTEM AS A WHOLE HAS BEEN DESIGNED TO ADDRESS THE RISKS, AND THAT THE OMRON PRODUCT IS PROPERLY RATED AND INSTALLED FOR THE INTENDED USE WITHIN THE OVERALL EQUIPMENT OR SYSTEM.

Disclaimers

CHANGE IN SPECIFICATIONS

Product specifications and accessories may be changed at any time based on improvements and other reasons.

It is our practice to change model numbers when published ratings or features are changed, or when significant construction changes are made. However, some specifications of the product may be changed without any notice. When in doubt, special model numbers may be assigned to fix or establish key specifications for your application on your request. Please consult with your OMRON representative at any time to confirm actual specifications of purchased product.

DIMENSIONS AND WEIGHTS

Dimensions and weights are nominal and are not to be used for manufacturing purposes, even when tolerances are shown.

ERRORS AND OMISSIONS

The information in this catalog has been carefully checked and is believed to be accurate; however, no responsibility is assumed for clerical, typographical, or proofreading errors, or omissions.

PERFORMANCE DATA

Performance data given in this catalog is provided as a guide for the user in determining suitability and does not constitute a warranty. It may represent the result of OMRON's test conditions, and the users must correlate it to actual application requirements. Actual performance is subject to the OMRON Warranty and Limitations of Liability.

PROGRAMMABLE PRODUCTS

OMRON shall not be responsible for the user's programming of a programmable product, or any consequence thereof.

COPYRIGHT AND COPY PERMISSION

This catalog shall not be copied for sales or promotions without permission.

This catalog is protected by copyright and is intended solely for use in conjunction with the product. Please notify us before copying or reproducing this catalog in any manner, for any other purpose. If copying or transmitting this catalog to another, please copy or transmit it in its entirety.

Компания «Океан Электроники» предлагает заключение долгосрочных отношений при поставках импортных электронных компонентов на взаимовыгодных условиях!

Наши преимущества:

- Поставка оригинальных импортных электронных компонентов напрямую с производств Америки, Европы и Азии, а так же с крупнейших складов мира;
- Широкая линейка поставок активных и пассивных импортных электронных компонентов (более 30 млн. наименований);
- Поставка сложных, дефицитных, либо снятых с производства позиций;
- Оперативные сроки поставки под заказ (от 5 рабочих дней);
- Экспресс доставка в любую точку России;
- Помощь Конструкторского Отдела и консультации квалифицированных инженеров;
- Техническая поддержка проекта, помощь в подборе аналогов, поставка прототипов;
- Поставка электронных компонентов под контролем ВП;
- Система менеджмента качества сертифицирована по Международному стандарту ISO 9001;
- При необходимости вся продукция военного и аэрокосмического назначения проходит испытания и сертификацию в лаборатории (по согласованию с заказчиком);
- Поставка специализированных компонентов военного и аэрокосмического уровня качества (Xilinx, Altera, Analog Devices, Intersil, Interpoint, Microsemi, Actel, Aeroflex, Peregrine, VPT, Syfer, Eurofarad, Texas Instruments, MS Kennedy, Miteq, Cobham, E2V, MA-COM, Hittite, Mini-Circuits, General Dynamics и др.);

Компания «Океан Электроники» является официальным дистрибьютором и эксклюзивным представителем в России одного из крупнейших производителей разъемов военного и аэрокосмического назначения «JONHON», а так же официальным дистрибьютором и эксклюзивным представителем в России производителя высокотехнологичных и надежных решений для передачи СВЧ сигналов «FORSTAR».



JONHON

«JONHON» (основан в 1970 г.)

Разъемы специального, военного и аэрокосмического назначения:

(Применяются в военной, авиационной, аэрокосмической, морской, железнодорожной, горно- и нефтедобывающей отраслях промышленности)

«FORSTAR» (основан в 1998 г.)

ВЧ соединители, коаксиальные кабели,
кабельные сборки и микроволновые компоненты:

(Применяются в телекоммуникациях гражданского и специального назначения, в средствах связи, РЛС, а так же военной, авиационной и аэрокосмической отраслях промышленности).



Телефон: 8 (812) 309-75-97 (многоканальный)

Факс: 8 (812) 320-03-32

Электронная почта: ocean@oceanchips.ru

Web: <http://oceanchips.ru/>

Адрес: 198099, г. Санкт-Петербург, ул. Калинина, д. 2, корп. 4, лит. А