

3M™ BOARDMOUNT SOCKET, 1502 SERIES
 2.00MM X 2.00MM STRAIGHT AND SURFACE MOUNT, PLATED THROUGH HOLE



STRAIGHT
VERSION



SURFACE MOUNT
VERSION

2 PHYSICAL :

INSULATOR :
 MATERIAL : HIGH TEMP THERMOPLASTIC
 CONTACT :
 MATERIAL : COPPER ALLOY
 PLATING :
 UNDER PLATING : 1.27-3.8µm (50-150µ") NICKEL-OVERALL
 WIPING AREA : .76µm (30µ") GOLD
 SOLDER TAILS : 5.1µm (200µ") MATTE TIN (RIA E1 & C1 APPLY)
 MARKING : ORIENTATION DELTA AND 3M LOGO (EXCEPT SURFACE MOUNT)

2 ELECTRICAL :

CURRENT RATING : 1A
 VOLTAGE RATING : 150V_{AC} PER EIA-364-20
 INSULATION RESISTANCE : >1 X 10⁹ OHM AT 250V_{DC}
 WITHSTANDING VOLTAGE : 500V_{DC} AT SEA LEVEL

2 ENVIRONMENTAL :

TEMPERATURE RATING : -55° C TO 105° C
 PROCESS RATING : MAX. 260° C (PER J-STD-020C)
 MOISTURE SENSITIVITY LEVEL : 1 (PER J-STD-020C)

- NOTES
1. REGULATORY INFORMATION: ROHS COMPLIANT. SEE THE REGULATORY INFORMATION APPENDIX (RIA) IN THE "ROHS COMPLIANCE" SECTION OF WWW.3MCONNECTORS.COM FOR COMPLIANCE INFORMATION.
 2. IN THE EVENT OF CONFLICT BETWEEN THIS DATA AND THAT CONTAINED IN THE PRODUCT SPECIFICATION, THE PRODUCT SPECIFICATION TAKES PRECEDENT.
 3. TAPE & REEL INCLUDE VACUUM PICK-UP CAP FOR PICK 'N PLACE HANDLING EQUIPMENT.
 4. PARTS IN TRAY PACKAGING ARE SUPPLIED WITHOUT VACUUM CAP.
 5. POSITIONS PER ROW, SUBTRACT 1, MULTIPLY BY 2MM SPACING.
 6. OPTIONAL LOCATOR POSTS: POSITIONS PER ROW, MULTIPLY BY 2MM SPACING, THEN SUBTRACT 4MM. POSTS ARE ONLY AVAILABLE FOR POSITIONS 08 AND GREATER.

3M ELECTRONICS MATERIALS SOLUTIONS DIVISION
 INTERCONNECT SOLUTIONS
<http://www.3mconnectors.com>

3M IS A TRADEMARK OF 3M COMPANY.
 FOR TECHNICAL, SALES OR ORDERING
 INFORMATION CALL 800-225-5373

UL
 UL FILE NO: E68080

DIMENSIONS: MM (INCH)
 (INCH) FOR REF. ONLY

DESIGN REFERENCE	NEXT ASSEMBLY	REV	ECO	ISSUE DATE AND DESCRIPTION	DRFT	CHKD
63282				SEP 03, 2015 REDRAWN & REMOVED RIGHT ANGLE	JNC	ARM
APPROVED	DATE	APPROVED	DATE	MFG DATE		
C. CASTIGLIONE	SEP 03, 2015	G. MATHEWS	SEP 03, 2015			
DIVISION		DIVISION CODE		MFG DATE		
EMSD						
DO NOT SCALE DRAWING	SCALE 6/1	TOLERANCES EXCEPT AS NOTED		This document and the information it contains are 3M property and may not be reproduced or further distributed without 3M permission, or used or disclosed other than for 3M authorized purposes. All rights reserved.		
THIRD ANGLE PROJECTION	INTERPRET PER ASME Y14.5 - 2009	MILLIMETERS		TITLE		
		0 ± .2		BOARDMOUNT SOCKET, 2MM X 2MM, STRAIGHT & SMT, PAC 20		
MAX SURFACE ROUGHNESS	MARKED ONLY	.00 ± .13 .000 ± .005		CAGE NUMBER		
		ANGLES		D78-5100-0519-8 K		
MODEL				SHT		REV.
1502				1 OF 4		K

78-5100-0519-8
 DRAWING NUMBER
 K
 REVISION
 12/7/2017
 Standard Time
 12/7/2017
 UTC
 Offset

3M™ BOARDMOUNT SOCKET, 1502 SERIES
 2.00MM X 2.00MM STRAIGHT AND SURFACE MOUNT, PLATED THROUGH HOLE



CONTACT QTY.	DIM. "A"
04	3.96 [.156]
06	5.87 [.231]
08	7.87 [.310]
10	9.88 [.389]
12	11.86 [.467]
14	13.87 [.546]
16	15.88 [.625]
18	17.88 [.704]
20	19.86 [.782]
22	21.87 [.861]
24	23.88 [.940]
26	25.88 [1.019]
28	27.86 [1.097]
30	29.87 [1.176]
32	31.88 [1.255]
34	33.88 [1.334]
36	35.86 [1.412]
38	37.87 [1.491]
40	39.88 [1.570]
42	41.88 [1.649]
44	43.87 [1.727]
46	45.87 [1.806]
48	47.88 [1.885]
50	49.89 [1.964]
52	51.87 [2.042]
54	53.87 [2.121]
56	55.88 [2.200]
58	57.86 [2.278]
60	59.87 [2.357]

ORDERING INFORMATION
 STRAIGHT
 1502XX-600X-RB

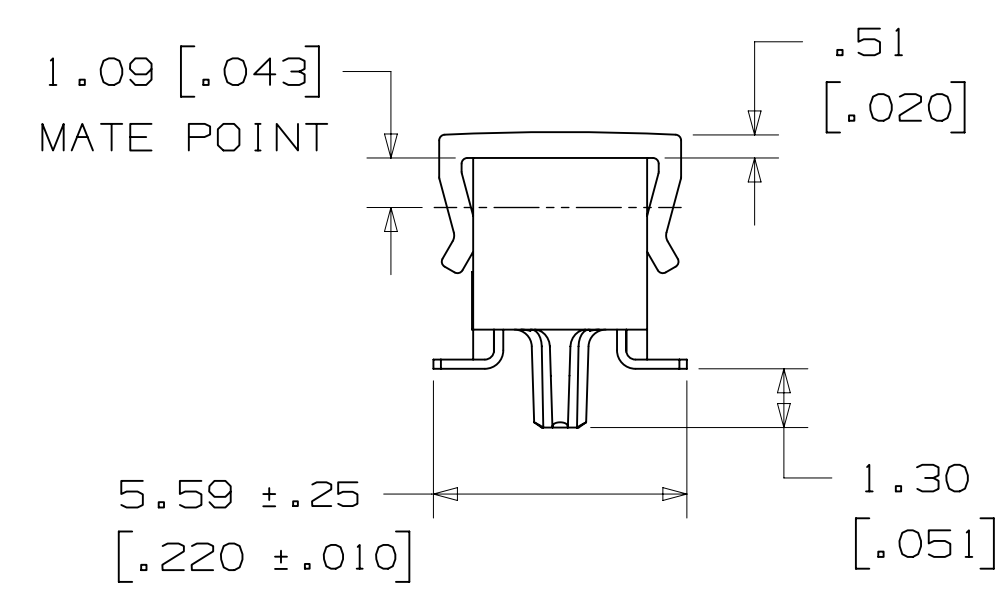
CONTACT QTY.:
 SEE TABLE 1

SOLDER TAIL LENGTH:
 DIMENSION "B"
 1 = 1.4MM (SPECIAL ORDER)
 2 = 2.54MM (STANDARD)

DESIGN REFERENCE	NEXT ASSEMBLY	REV	ECO	ISSUE DATE AND DESCRIPTION	DRFT	CHKD
				SEP 03, 2015	JNC	ARM
DIVISION CODE EMSD		DATE SEP 03, 2015		DATE SEP 03, 2015		
DO NOT SCALE DRAWING	SCALE 6 1	TOLERANCES EXCEPT AS NOTED INCHES: .0 ±.1 .00 ±.01 .000 ±.005 .0000 ±.0002		MILLIMETERS: 0 ±.2 .0 ±.13 .000 ±.005		
THIRD ANGLE PROJECTION	INTERPRET PER ASME Y14.5 - 2009	MAX SURFACE ROUGHNESS UNMARKED SURFACES MARKED ONLY		MODEL 1502		
TITLE BOARDMOUNT SOCKET, 2MM X 2MM, STRAIGHT & SMT, PAC 20		CAGE NUMBER D78-5100-0519-8		REV. K		
DET. 1502		SHT 2 OF 4		© 3M COPYRIGHT 2017 This document and the information it contains are 3M property and may not be reproduced or further distributed without 3M permission, or used or disclosed other than for 3M authorized purposes. All rights reserved.		

78-5100-0519-8
 DRAWING NUMBER
 K
 REVISION
 Standard Time 12/7/2017 UTC Offset
 Imaged: K.3 Central

3M™ BOARDMOUNT SOCKET, 1502 SERIES
 2.00MM X 2.00MM STRAIGHT AND SURFACE MOUNT, PLATED THROUGH HOLE



RECOMMENDED PAD PATTERN
 (AS VIEWED FROM CONNECTOR SIDE)

CONTACT QTY.	DIM. "A"	TAPE WIDTH	ORDER CODE
04	3.96 [.156]	N/A	N/A
06	5.87 [.231]	N/A	N/A
08	7.87 [.310]	24 MM	WB
10	9.88 [.389]	24 MM	WB
12	11.86 [.467]	24 MM	WB
14	13.87 [.546]	24 MM	WB
16	15.88 [.625]	24 MM	WB
18	17.88 [.704]	44 MM	WD
20	19.86 [.782]	44 MM	WD
22	21.87 [.861]	44 MM	WD
24	23.88 [.940]	44 MM	WD
26	25.88 [1.019]	44 MM	WD
28	27.86 [1.097]	44 MM	WD
30	29.87 [1.176]	44 MM	WD
32	31.88 [1.255]	56 MM	WE
34	33.88 [1.334]	56 MM	WE
36	35.86 [1.412]	56 MM	WE
38	37.87 [1.491]	56 MM	WE
40	39.88 [1.570]	56 MM	WE
42	41.88 [1.649]	56 MM	WE
44	43.87 [1.727]	72 MM	WF
46	45.87 [1.806]	72 MM	WF
48	47.88 [1.885]	72 MM	WF
50	49.89 [1.964]	72 MM	WF
52	51.87 [2.042]	72 MM	WF
54	53.87 [2.121]	72 MM	WF
56	55.88 [2.200]	72 MM	WF
58	57.86 [2.278]	88 MM	WG
60	59.87 [2.357]	88 MM	WG

ORDERING INFORMATION
 SURFACE MOUNT
 1502XX-20X0-RB-XX

CONTACT QTY.:
 SEE TABLE 1

BOARD LOCATION POST:
 0 = NONE (STANDARD)
 2 = WITH BOARD LOCATION POSTS
 (SPECIAL ORDER)

PACKAGING STYLE:
 BLANK = TRAY PACKAGING
 WX = TAPE & REEL PACKAGING
 (SEE TABLE 1 FOR ORDERING CODE)

DESIGN REFERENCE	NEXT ASSEMBLY	REV	ECO	ISSUE DATE AND DESCRIPTION	DRFT	CHKD
				SEP 03, 2015		
DO NOT SCALE DRAWING	SCALE 6/1	TOLERANCES EXCEPT AS NOTED		3M Center St. Paul, MN 55144		
THIRD ANGLE PROJECTION	INTERPRET PER ASME Y14.5 - 2009	MILLIMETERS 0 ±.2		© 3M COPYRIGHT 2017		
MAX SURFACE ROUGHNESS	0.13	MILLIMETERS 0 ±.2		This document and the information it contains are 3M property and may not be reproduced or further distributed without 3M permission, or used or disclosed other than for 3M authorized purposes. All rights reserved.		
MARKED ONLY		MILLIMETERS 0 ±.2		TITLE BOARDMOUNT SOCKET, 2MM X 2MM, STRAIGHT & SMT, PAC 20		
		MILLIMETERS 0 ±.2		CAGE NUMBER D78-5100-0519-8		
		MILLIMETERS 0 ±.2		REV. K		
		MILLIMETERS 0 ±.2		MODEL 1502		
		MILLIMETERS 0 ±.2		SHT 3 OF 4		

78-5100-0519-8 K REVISION

Technical Information: The technical information, recommendations and other statements contained in this document are based upon tests or experience that 3M believes are reliable, but the accuracy or completeness of such information is not guaranteed.

Product Use: Many factors beyond 3M's control and uniquely within user's knowledge and control can affect the use and performance of a 3M product in a particular application. Given the variety of factors that can affect the use and performance of a 3M product, user is solely responsible for evaluating the 3M product and determining whether it is fit for a particular purpose and suitable for user's method of application.

Warranty, Limited Remedy, and Disclaimer: Unless an additional warranty is specifically stated on the applicable 3M product packaging or product literature, 3M warrants that each 3M product meets the applicable 3M product specification at the time 3M ships the product. 3M MAKES NO OTHER WARRANTIES OR CONDITIONS, EXPRESS OR IMPLIED, INCLUDING, BUT NOT LIMITED TO, ANY IMPLIED WARRANTY OR CONDITION OF MERCHANTABILITY OR FITNESS FOR A PARTICULAR PURPOSE OR ANY IMPLIED WARRANTY OR CONDITION ARISING OUT OF A COURSE OF DEALING, CUSTOM OR USAGE OF TRADE. If the 3M product does not conform to this warranty, then the sole and exclusive remedy is, at 3M's option, replacement of the 3M product or refund of the purchase price.

Limitation of Liability: Except where prohibited by law, 3M will not be liable for any loss or damage arising from the 3M product, whether direct, indirect, special, incidental or consequential, regardless of the legal theory asserted, including warranty, contract, negligence or strict liability.

DESIGN REFERENCE		NEXT ASSEMBLY		REV	ECO	ISSUE DATE AND DESCRIPTION		DRFT	CHKD
K 63282		SEP 03, 2015				REDRAWN & REMOVED RIGHT ANGLE		JNC	ARM
CAGE NUMBER		DRAWING NO.		DATE		DATE		DATE	
D 78-5100-0519-8		K		SEP 03, 2015		SEP 03, 2015		SEP 03, 2015	
DIVISION		DIVISION CODE		APPRV		DATE		DATE	
EMSD		EMSD		G. MATHEWS		SEP 03, 2015		SEP 03, 2015	
DO NOT SCALE DRAWING		SCALE 1/1		TOLERANCES EXCEPT AS NOTED		INCHES		MILLIMETERS	
THIRD ANGLE PROJECTION		INTERPRET PER ASME Y14.5 - 2009		MAX SURFACE ROUGHNESS		MARKED SURFACES		MARKED ONLY	
0 ± .1 .00 ± .01 .000 ± .005 .0000 ± .0002		0 ± .2 0 ± .13 .000 ± .005		0 ± 2 0 ± 13 0 ± .005		0 ± 2 0 ± 13 0 ± .005		0 ± 2 0 ± 13 0 ± .005	
CAGE NUMBER		DRAWING NO.		REV.		MODEL		REV.	
D 78-5100-0519-8		K		1502		SHT 4 OF 4		K	

78-5100-0519-8 DRAWING NUMBER
 K REVISION
 © 3M COPYRIGHT 2017
 This document and the information it contains are 3M property and may not be reproduced or further distributed without 3M permission, or used or disclosed other than for 3M authorized purposes. All rights reserved.
 Imaged: K.3 Central Standard Time 12/7/2017 UTC Offset

Компания «Океан Электроники» предлагает заключение долгосрочных отношений при поставках импортных электронных компонентов на взаимовыгодных условиях!

Наши преимущества:

- Поставка оригинальных импортных электронных компонентов напрямую с производств Америки, Европы и Азии, а так же с крупнейших складов мира;
- Широкая линейка поставок активных и пассивных импортных электронных компонентов (более 30 млн. наименований);
- Поставка сложных, дефицитных, либо снятых с производства позиций;
- Оперативные сроки поставки под заказ (от 5 рабочих дней);
- Экспресс доставка в любую точку России;
- Помощь Конструкторского Отдела и консультации квалифицированных инженеров;
- Техническая поддержка проекта, помощь в подборе аналогов, поставка прототипов;
- Поставка электронных компонентов под контролем ВП;
- Система менеджмента качества сертифицирована по Международному стандарту ISO 9001;
- При необходимости вся продукция военного и аэрокосмического назначения проходит испытания и сертификацию в лаборатории (по согласованию с заказчиком);
- Поставка специализированных компонентов военного и аэрокосмического уровня качества (Xilinx, Altera, Analog Devices, Intersil, Interpoint, Microsemi, Actel, Aeroflex, Peregrine, VPT, Syfer, Eurofarad, Texas Instruments, MS Kennedy, Miteq, Cobham, E2V, MA-COM, Hittite, Mini-Circuits, General Dynamics и др.);

Компания «Океан Электроники» является официальным дистрибьютором и эксклюзивным представителем в России одного из крупнейших производителей разъемов военного и аэрокосмического назначения «**JONHON**», а так же официальным дистрибьютором и эксклюзивным представителем в России производителя высокотехнологичных и надежных решений для передачи СВЧ сигналов «**FORSTAR**».



JONHON

«**JONHON**» (основан в 1970 г.)

Разъемы специального, военного и аэрокосмического назначения:

(Применяются в военной, авиационной, аэрокосмической, морской, железнодорожной, горно- и нефтедобывающей отраслях промышленности)

«**FORSTAR**» (основан в 1998 г.)

ВЧ соединители, коаксиальные кабели,
кабельные сборки и микроволновые компоненты:

(Применяются в телекоммуникациях гражданского и специального назначения, в средствах связи, РЛС, а так же военной, авиационной и аэрокосмической отраслях промышленности).



Телефон: 8 (812) 309-75-97 (многоканальный)

Факс: 8 (812) 320-03-32

Электронная почта: ocean@oceanchips.ru

Web: <http://oceanchips.ru/>

Адрес: 198099, г. Санкт-Петербург, ул. Калинина, д. 2, корп. 4, лит. А