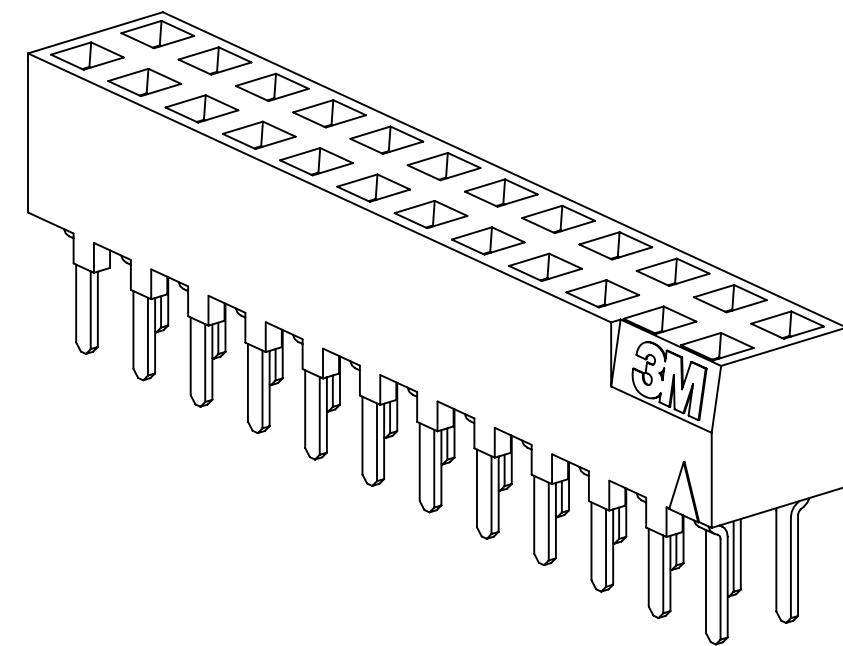
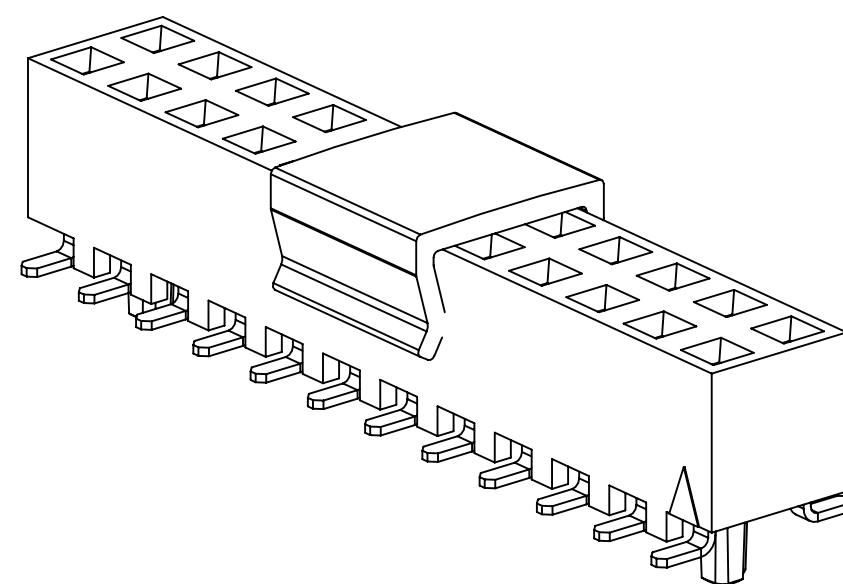


3M™ BOARDMOUNT SOCKET, 1502 SERIES
2.00MM X 2.00MM STRAIGHT AND SURFACE MOUNT, PLATED THROUGH HOLE



STRAIGHT
VERSION



SURFACE MOUNT
VERSION

2 PHYSICAL :

INSULATOR :
MATERIAL : HIGH TEMP THERMOPLASTIC
CONTACT :
MATERIAL : COPPER ALLOY
PLATING :
UNDER PLATING : 1.27-3.8µm (50-150µ") NICKEL-OVERALL
WIPING AREA : .76µm (30µ") GOLD
SOLDER TAILS : 5.1µm (200µ") MATTE TIN (RIA E1 & C1 APPLY)
MARKING : ORIENTATION DELTA AND 3M LOGO (EXCEPT SURFACE MOUNT)

2 ELECTRICAL :

CURRENT RATING : 1A
VOLTAGE RATING : 150V_{AC} PER EIA-364-20
INSULATION RESISTANCE : >1 X 10⁹ OHM AT 250V_{DC}
WITHSTANDING VOLTAGE : 500V_{DC} AT SEA LEVEL

2 ENVIRONMENTAL :

TEMPERATURE RATING : -55° C TO 105° C
PROCESS RATING : MAX. 260° C (PER J-STD-020C)
MOISTURE SENSITIVITY LEVEL : 1 (PER J-STD-020C)

- NOTES
- REGULATORY INFORMATION:
ROHS COMPLIANT. SEE THE REGULATORY INFORMATION APPENDIX (RIA) IN THE "ROHS COMPLIANCE" SECTION OF WWW.3MCONNECTORS.COM FOR COMPLIANCE INFORMATION.
 - IN THE EVENT OF CONFLICT BETWEEN THIS DATA AND THAT CONTAINED IN THE PRODUCT SPECIFICATION, THE PRODUCT SPECIFICATION TAKES PRECEDENT.
 - TAPE & REEL INCLUDE VACUUM PICK-UP CAP FOR PICK 'n PLACE HANDLING EQUIPMENT.
 - PARTS IN TRAY PACKAGING ARE SUPPLIED WITHOUT VACUUM CAP.
 - POSITIONS PER ROW, SUBTRACT 1, MULTIPLY BY 2MM SPACING.
 - OPTIONAL LOCATOR POSTS:
POSITIONS PER ROW, MULTIPLY BY 2MM SPACING, THEN SUBTRACT 4MM.
POSTS ARE ONLY AVAILABLE FOR POSITIONS 08 AND GREATER.

3M ELECTRONICS MATERIALS SOLUTIONS DIVISION
INTERCONNECT SOLUTIONS
<http://www.3mconnectors.com>

3M IS A TRADEMARK OF 3M COMPANY.
FOR TECHNICAL, SALES OR ORDERING
INFORMATION CALL 800-225-5373

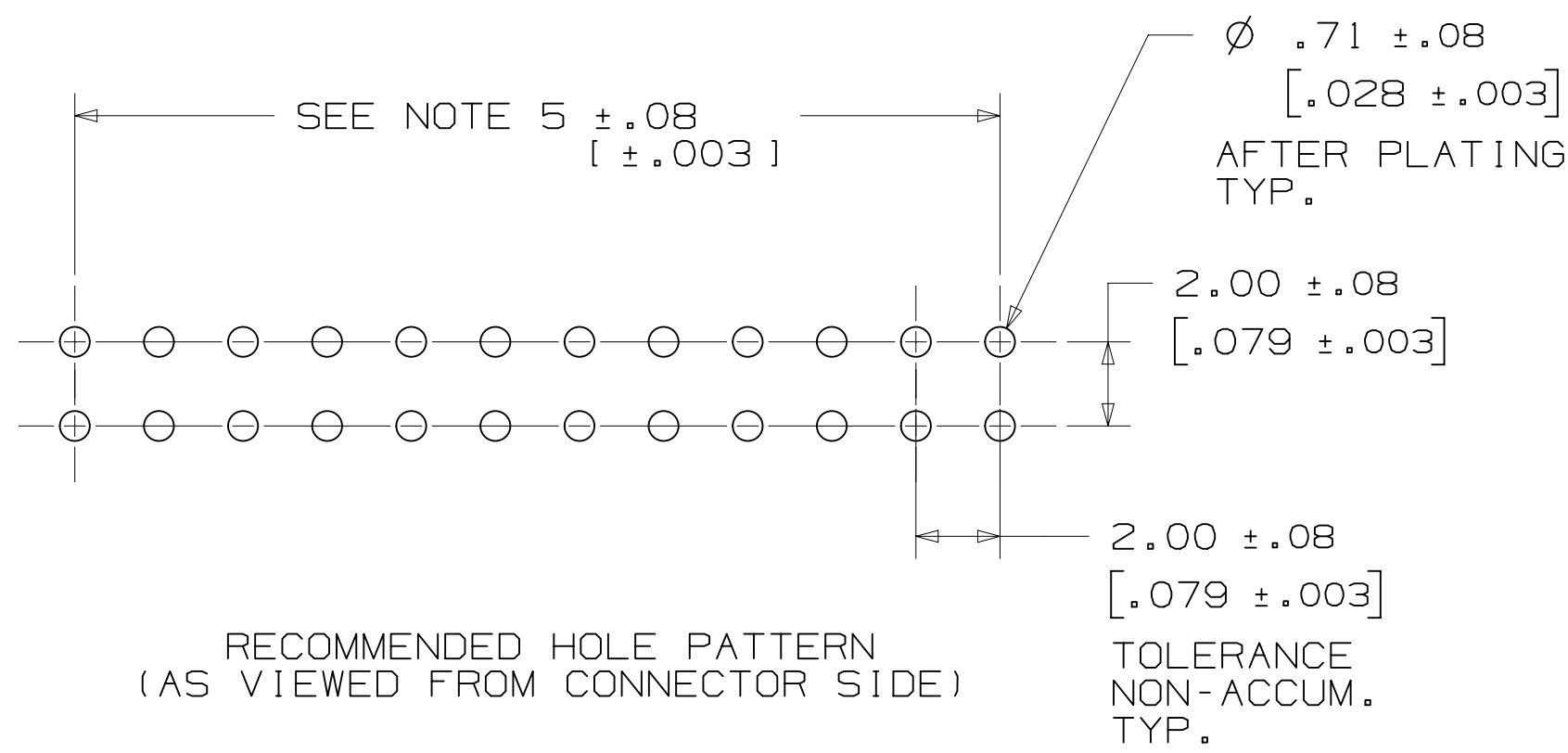
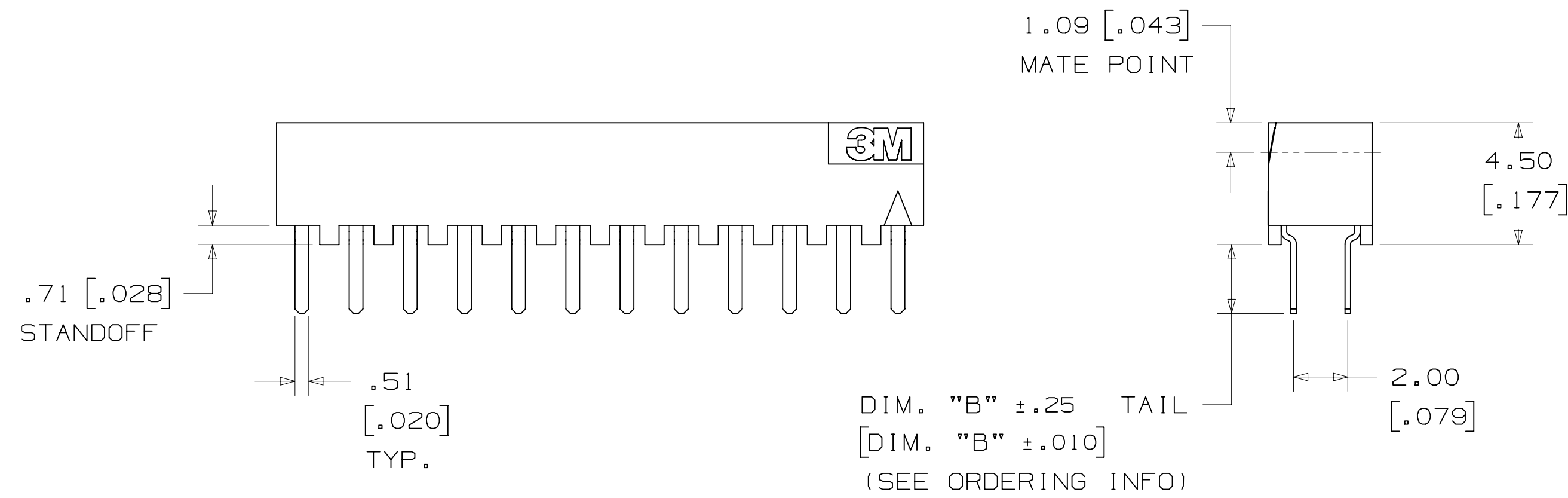
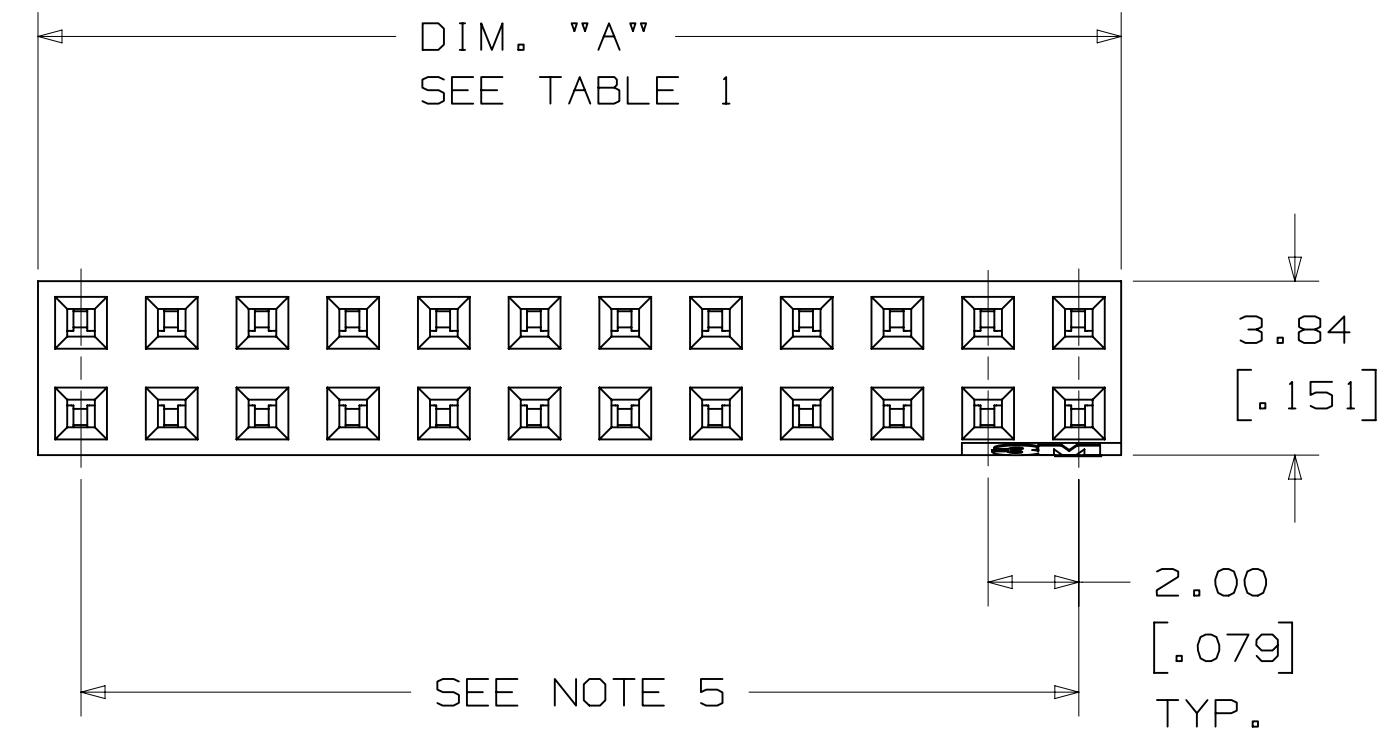
UL
UL FILE NO: E68080

DIMENSIONS: MM (INCH)
(INCH) FOR REF. ONLY

| | | | | | | |
|---------------------------------|-----------------|------------------------------------------------------------------------------------------------------------------------------------------------------------------------------------------------------------------------|---------------------------------------------------------------------|--------------------------------------------------|------|------|
| DESIGN REFERENCE | NEXT ASSEMBLY | REV | ECO | ISSUE DATE AND DESCRIPTION | DRFT | CHKD |
| | | | | SEP 03, 2015 REDRAWN & REMOVED RIGHT ANGLE | JNC | ARM |
| APPROVED | DATE | APPROVED | DATE | | | |
| CASTIGLIONE | SEP 03, 2015 | MATH | SEP 03, 2015 | | | |
| CHKO | DATE | APPR | DATE | | | |
| | | G. MATHEWS | SEP 03, 2015 | | | |
| DIVISION | DIVISION CODE | © 3M COPYRIGHT 2017 | | | | |
| | EMSD | This document and the information it contains are 3M property and may not be reproduced or further distributed without 3M permission, or used or disclosed other than for 3M authorized purposes. All rights reserved. | | | | |
| DO NOT SCALE DRAWING | SCALE 6 1 | TOLERANCES EXCEPT AS NOTED | | | | |
| | | INCHES: .0 ± .1 .00 ± .01 .000 ± .005 .0000 ± .0002 | TITLE BOARDMOUNT SOCKET, 2MM X 2MM, STRAIGHT & SMT, PAC 20 | | | |
| THIRD ANGLE PROJECTION | | MILLIMETERS 0 ± .2 .0 ± .13 .000 ± .005 | CAGE NUMBER D78-5100-0519-8 | | | |
| INTERPRET PER ASME Y14.5 - 2009 | | MAX SURFACE ROUGHNESS R _a SURFACES 0.4 MARKED ONLY | DRAWING NO. D78-5100-0519-8 | | | |
| | | ANGLES | REV. K | | | |
| | | | MODEL 1502 | | | |
| | | | SHEET 1 OF 4 | | | |

78-5100-0519-8 K REV. 1
DRAWING NUMBER
Standard Time: 12/7/2017 UTC Offset

3M™ BOARDMOUNT SOCKET, 1502 SERIES
 2.00MM X 2.00MM STRAIGHT AND SURFACE MOUNT, PLATED THROUGH HOLE



| CONTACT QTY. | DIM. "A" |
|--------------|-----------------|
| 04 | 3.96 [.156] |
| 06 | 5.87 [.231] |
| 08 | 7.87 [.310] |
| 10 | 9.88 [.389] |
| 12 | 11.86 [.467] |
| 14 | 13.87 [.546] |
| 16 | 15.88 [.625] |
| 18 | 17.88 [.704] |
| 20 | 19.86 [.782] |
| 22 | 21.87 [.861] |
| 24 | 23.88 [.940] |
| 26 | 25.88 [1.019] |
| 28 | 27.86 [1.097] |
| 30 | 29.87 [1.176] |
| 32 | 31.88 [1.255] |
| 34 | 33.88 [1.334] |
| 36 | 35.86 [1.412] |
| 38 | 37.87 [1.491] |
| 40 | 39.88 [1.570] |
| 42 | 41.88 [1.649] |
| 44 | 43.87 [1.727] |
| 46 | 45.87 [1.806] |
| 48 | 47.88 [1.885] |
| 50 | 49.89 [1.964] |
| 52 | 51.87 [2.042] |
| 54 | 53.87 [2.121] |
| 56 | 55.88 [2.200] |
| 58 | 57.86 [2.278] |
| 60 | 59.87 [2.357] |

ORDERING INFORMATION
 STRAIGHT
 1502XX-600X-RB

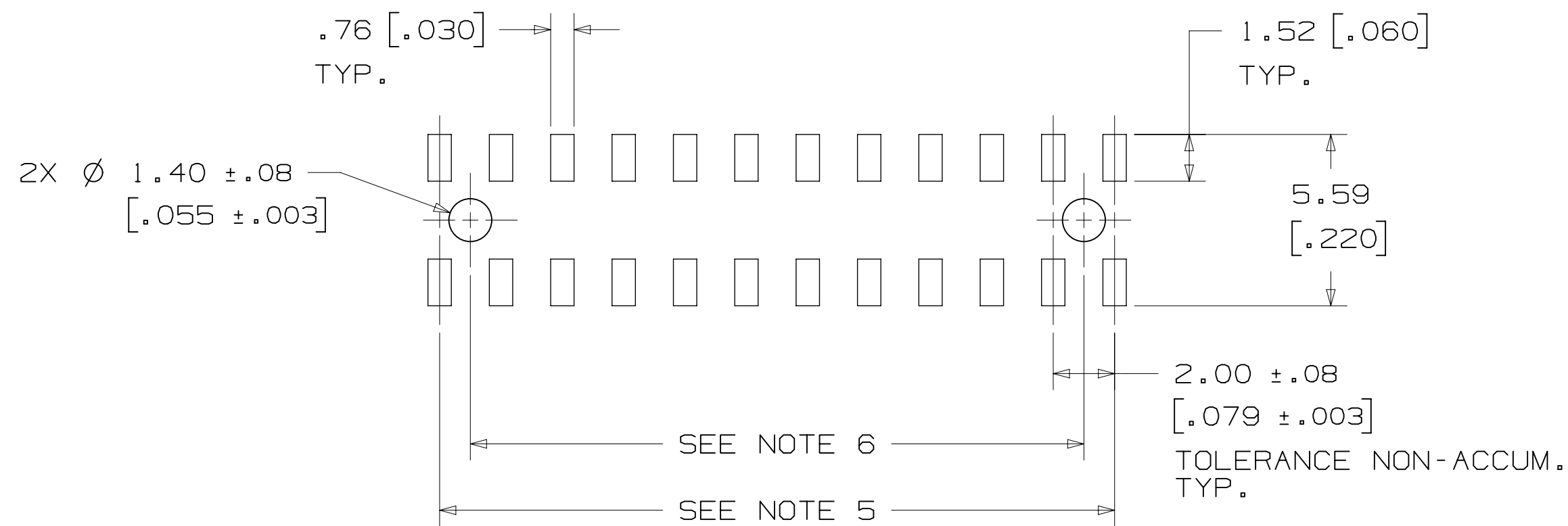
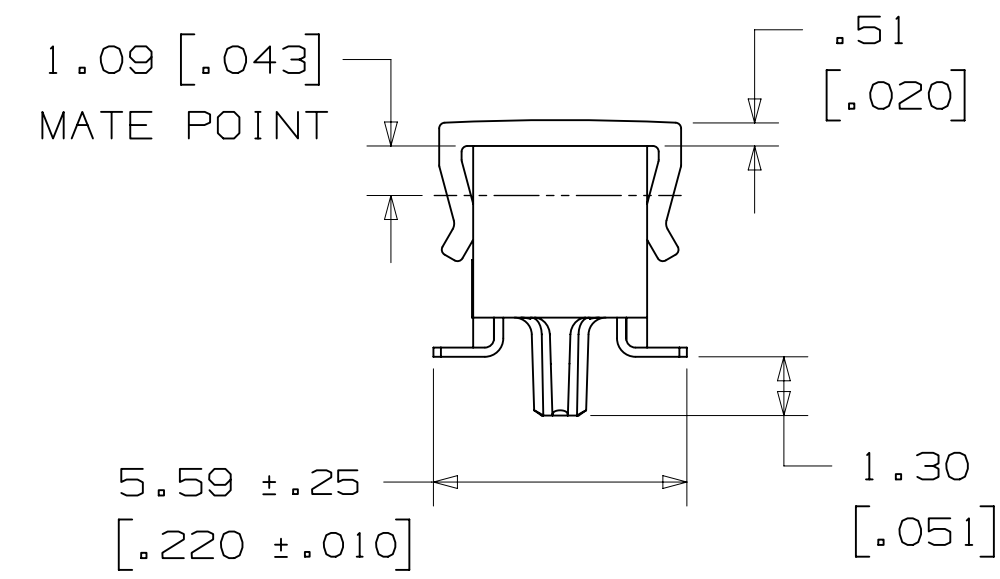
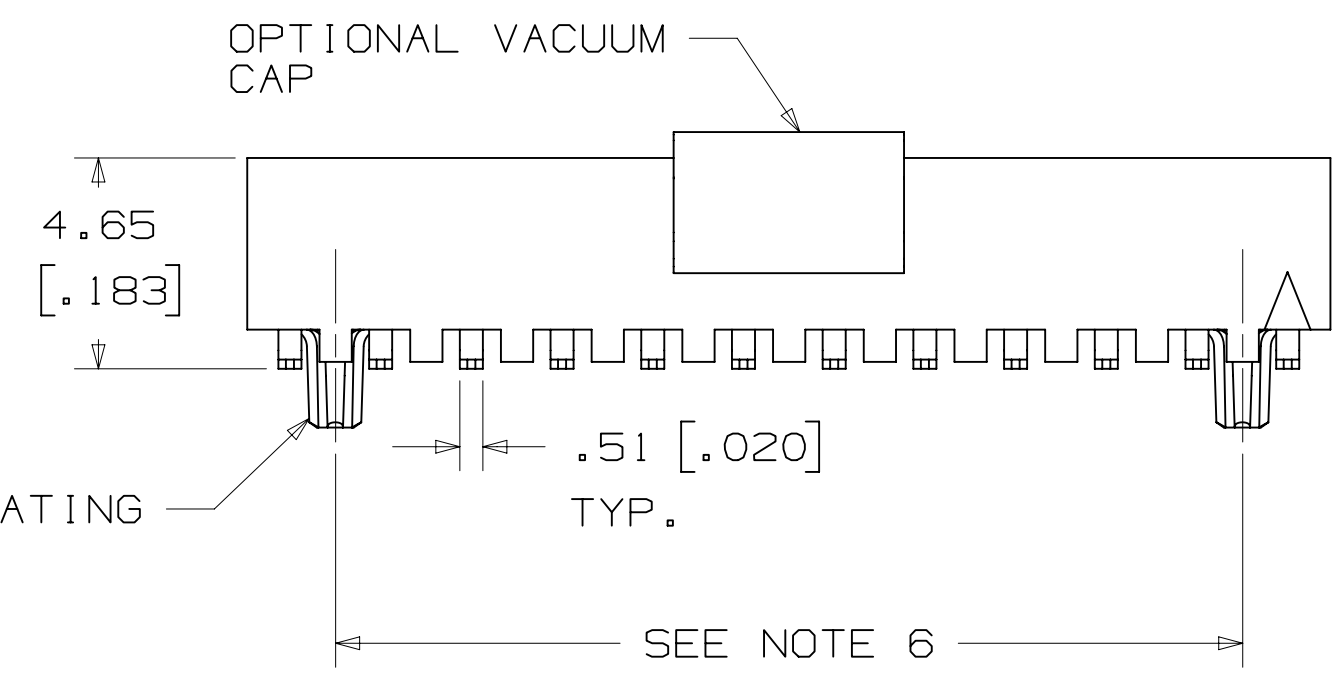
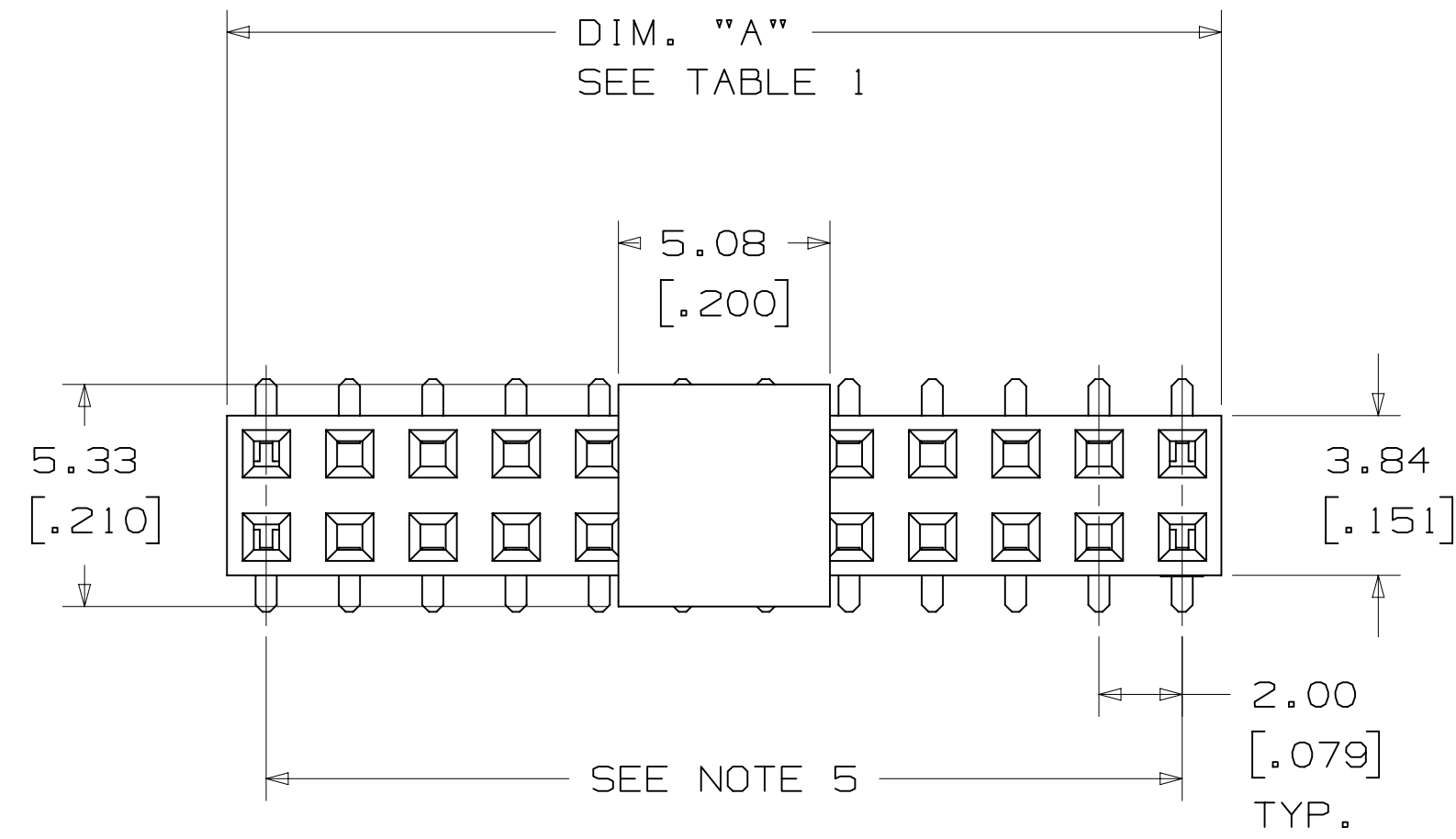
CONTACT QTY.:
 SEE TABLE 1

SOLDER TAIL LENGTH:
 DIMENSION "B"
 1 = 1.4MM (SPECIAL ORDER)
 2 = 2.54MM (STANDARD)

| | | | | | | |
|---------------------------------|--------------------------------------------|-----------------------------------------------------------------------------------------------------------------------------------------------------------------------------------------------------------------------------------------------|-------------------------------------------------------------|-----------------------------------------------|-------------|--------|
| DESIGN REFERENCE | NEXT ASSEMBLY | REV | ECO | ISSUE DATE AND DESCRIPTION | DRFT | CHKD |
| | | | | SEP 03, 2015 REDRAWN & REMOVED RIGHT ANGLE | JNC | ARM |
| APPROVED | DATE | DATE | DATE | DATE | DATE | DATE |
| CASTIGLIONE | SEP 03, 2015 | MFG | | | | |
| CHKD | DATE | APPRV | DATE | DATE | DATE | DATE |
| | | G. MATHEWS | SEP 03, 2015 | | | |
| DIVISION | DIVISION CODE | © 3M COPYRIGHT 2017 This document and the information it contains are 3M property and may not be reproduced or further distributed without 3M permission, or used or disclosed other than for 3M authorized purposes. All rights reserved. | | | | |
| DO NOT SCALE DRAWING | SCALE 6/1 | TOLERANCES EXCEPT AS NOTED | 3M 3M Center St. Paul, MN 55144 | | | |
| THIRD ANGLE PROJECTION | INCHES: .00 ±.01, .000 ±.005, .0000 ±.0002 | MILLIMETERS: 0 ±.2, .00 ±.13, .000 ±.005 | TITLE: BOARDMOUNT SOCKET, 2MM X 2MM, STRAIGHT & SMT, PAC 20 | | | |
| INTERPRET PER ASME Y14.5 - 2009 | MAX SURFACE ROUGHNESS | MARKED SURFACES | CAGE NUMBER | SIZE | DRAWING NO. | REV. |
| | | | D78-5100-0519-8 | D | 1502 | K |
| | | | MODEL | 1502 | DET | ISTS |
| | | | | | YES | NO |
| | | | | | SHT | 2 OF 4 |

78-5100-0519-8
 DRAWING NUMBER
 K
 REVISION
 Standard Time 12/7/2017 UTC Offset
 Imaged: K.3 Central

3M™ BOARDMOUNT SOCKET, 1502 SERIES
2.00MM X 2.00MM STRAIGHT AND SURFACE MOUNT, PLATED THROUGH HOLE



RECOMMENDED PAD PATTERN
(AS VIEWED FROM CONNECTOR SIDE)

| CONTACT QTY. | DIM. "A" | TAPE WIDTH | ORDER CODE |
|--------------|-----------------|------------|------------|
| 04 | 3.96 [.156] | N/A | N/A |
| 06 | 5.87 [.231] | N/A | N/A |
| 08 | 7.87 [.310] | 24 MM | WB |
| 10 | 9.88 [.389] | 24 MM | WB |
| 12 | 11.86 [.467] | 24 MM | WB |
| 14 | 13.87 [.546] | 24 MM | WB |
| 16 | 15.88 [.625] | 24 MM | WB |
| 18 | 17.88 [.704] | 44 MM | WD |
| 20 | 19.86 [.782] | 44 MM | WD |
| 22 | 21.87 [.861] | 44 MM | WD |
| 24 | 23.88 [.940] | 44 MM | WD |
| 26 | 25.88 [1.019] | 44 MM | WD |
| 28 | 27.86 [1.097] | 44 MM | WD |
| 30 | 29.87 [1.176] | 44 MM | WD |
| 32 | 31.88 [1.255] | 56 MM | WE |
| 34 | 33.88 [1.334] | 56 MM | WE |
| 36 | 35.86 [1.412] | 56 MM | WE |
| 38 | 37.87 [1.491] | 56 MM | WE |
| 40 | 39.88 [1.570] | 56 MM | WE |
| 42 | 41.88 [1.649] | 56 MM | WE |
| 44 | 43.87 [1.727] | 72 MM | WF |
| 46 | 45.87 [1.806] | 72 MM | WF |
| 48 | 47.88 [1.885] | 72 MM | WF |
| 50 | 49.89 [1.964] | 72 MM | WF |
| 52 | 51.87 [2.042] | 72 MM | WF |
| 54 | 53.87 [2.121] | 72 MM | WF |
| 56 | 55.88 [2.200] | 72 MM | WF |
| 58 | 57.86 [2.278] | 88 MM | WG |
| 60 | 59.87 [2.357] | 88 MM | WG |

ORDERING INFORMATION
SURFACE MOUNT
1502XX-20X0-RB-XX

CONTACT QTY.:
SEE TABLE 1

BOARD LOCATION POST:
0 = NONE (STANDARD)
2 = WITH BOARD LOCATION POSTS
(SPECIAL ORDER)

PACKAGING STYLE:
BLANK = TRAY PACKAGING
WX = TAPE & REEL PACKAGING
(SEE TABLE 1 FOR ORDERING CODE)

| | | | | | | |
|----------------------------------------|---------------|-------------------------------|-----|-----------------------------------------------------------------------------------------------------------------------------------------------------------------------------------------------------------------------------------------------|------|------|
| DESIGN REFERENCE | NEXT ASSEMBLY | REV | ECO | ISSUE DATE AND DESCRIPTION | DRFT | CHKD |
| | | | | SEP 03, 2015 | | |
| DIVISION | | DIVISION CODE | | DATE | | |
| EMSD | | EMSD | | SEP 03, 2015 | | |
| DO NOT SCALE DRAWING | SCALE 6/1 | TOLERANCES EXCEPT AS NOTED | | | | |
| THIRD ANGLE PROJECTION | | INCHES | | © 3M COPYRIGHT 2017 This document and the information it contains are 3M property and may not be reproduced or further distributed without 3M permission, or used or disclosed other than for 3M authorized purposes. All rights reserved. | | |
| INTERPRET PER ASME Y14.5 - 2009 | | MILLIMETERS | | TITLE BOARDMOUNT SOCKET, 2MM X 2MM, STRAIGHT & SMT, PAC 20 | | |
| MAX SURFACE ROUGHNESS | | MILLIMETERS | | CAGE NUMBER D78-5100-0519-8 | | |
| .00 ±.01 .000 ±.005 .0000 ±.0002 | | 0 ±.2 0 ±.13 .000 ±.005 | | MODEL 1502 | | |
| MARKED ONLY | | ANGLES | | REV. K | | |


78-5100-0519-8
 K
 REVISION
 DRAWING NUMBER
 1502
 TIME: 12/7/2017 10:47:00 AM
 OFFSET

Technical Information: The technical information, recommendations and other statements contained in this document are based upon tests or experience that 3M believes are reliable, but the accuracy or completeness of such information is not guaranteed.

Product Use: Many factors beyond 3M's control and uniquely within user's knowledge and control can affect the use and performance of a 3M product in a particular application. Given the variety of factors that can affect the use and performance of a 3M product, user is solely responsible for evaluating the 3M product and determining whether it is fit for a particular purpose and suitable for user's method of application.

Warranty, Limited Remedy, and Disclaimer: Unless an additional warranty is specifically stated on the applicable 3M product packaging or product literature, 3M warrants that each 3M product meets the applicable 3M product specification at the time 3M ships the product. 3M MAKES NO OTHER WARRANTIES OR CONDITIONS, EXPRESS OR IMPLIED, INCLUDING, BUT NOT LIMITED TO, ANY IMPLIED WARRANTY OR CONDITION OF MERCHANTABILITY OR FITNESS FOR A PARTICULAR PURPOSE OR ANY IMPLIED WARRANTY OR CONDITION ARISING OUT OF A COURSE OF DEALING, CUSTOM OR USAGE OF TRADE. If the 3M product does not conform to this warranty, then the sole and exclusive remedy is, at 3M's option, replacement of the 3M product or refund of the purchase price.

Limitation of Liability: Except where prohibited by law, 3M will not be liable for any loss or damage arising from the 3M product, whether direct, indirect, special, incidental or consequential, regardless of the legal theory asserted, including warranty, contract, negligence or strict liability.

| | | | | | | | | | |
|---------------------------------|--|-----------------------------------------------------|--|-------------------------------------------------------------------------------------------------------------------------------------------------------------------------------------------------------------------------------------------------------------------------------------------------------------------------------------|-----|----------------------------------------------------------------------------------------------------|--|-------------|------|
| DESIGN REFERENCE | | NEXT ASSEMBLY | | REV | ECO | ISSUE DATE AND DESCRIPTION | | DRFT | CHKD |
| K 63282 | | SEP 03, 2015 | | | | REDRAWN & REMOVED RIGHT ANGLE | | JNC | ARM |
| DWF | | DATE | | MFG | | DATE | | DATE | |
| CASTIGLIONE | | SEP 03, 2015 | | | | | | | |
| CHKD | | DATE | | APPR | | DATE | | DATE | |
| | | | | G. MATHEWS | | SEP 03, 2015 | | | |
| DIVISION | | DIVISION CODE | |  © 3M COPYRIGHT 2017 This document and the information it contains are 3M property and may not be reproduced or further distributed without 3M permission, or used or disclosed other than for 3M authorized purposes. All rights reserved. | | | | | |
| DO NOT SCALE DRAWING | | SCALE 1/1 | | TOLERANCES EXCEPT AS NOTED | | | | | |
| THIRD ANGLE PROJECTION | | INCHES | | MILLIMETERS | | TITLE BOARDMOUNT SOCKET, 2MM X 2MM, STRAIGHT & SMT, PAC 20 | | | |
| INTERPRET PER ASME Y14.5 - 2009 | | 0 ± .1 .00 ± .01 .000 ± .005 .0000 ± .0002 | | 0 ± .2 .00 ± .13 .000 ± .005 | | CAGE NUMBER | | DRAWING NO. | |
| MAX SURFACE ROUGHNESS | | 0 ± .2 .00 ± .13 .000 ± .005 | | 1502 | | D 78-5100-0519-8 | | REV. K | |
| MARKED ONLY | | ANGLES | | MODEL | | DET | | SHT 4 OF 4 | |

78-5100-0519-8 DRAWING NUMBER
 K REVISION
 12/7/2017 UTC Offset
 Standard Time
 K.3 Central

Компания «Океан Электроники» предлагает заключение долгосрочных отношений при поставках импортных электронных компонентов на взаимовыгодных условиях!

Наши преимущества:

- Поставка оригинальных импортных электронных компонентов напрямую с производств Америки, Европы и Азии, а так же с крупнейших складов мира;
- Широкая линейка поставок активных и пассивных импортных электронных компонентов (более 30 млн. наименований);
- Поставка сложных, дефицитных, либо снятых с производства позиций;
- Оперативные сроки поставки под заказ (от 5 рабочих дней);
- Экспресс доставка в любую точку России;
- Помощь Конструкторского Отдела и консультации квалифицированных инженеров;
- Техническая поддержка проекта, помощь в подборе аналогов, поставка прототипов;
- Поставка электронных компонентов под контролем ВП;
- Система менеджмента качества сертифицирована по Международному стандарту ISO 9001;
- При необходимости вся продукция военного и аэрокосмического назначения проходит испытания и сертификацию в лаборатории (по согласованию с заказчиком);
- Поставка специализированных компонентов военного и аэрокосмического уровня качества (Xilinx, Altera, Analog Devices, Intersil, Interpoint, Microsemi, Actel, Aeroflex, Peregrine, VPT, Syfer, Eurofarad, Texas Instruments, MS Kennedy, Miteq, Cobham, E2V, MA-COM, Hittite, Mini-Circuits, General Dynamics и др.);

Компания «Океан Электроники» является официальным дистрибьютором и эксклюзивным представителем в России одного из крупнейших производителей разъемов военного и аэрокосмического назначения «JONHON», а так же официальным дистрибьютором и эксклюзивным представителем в России производителя высокотехнологичных и надежных решений для передачи СВЧ сигналов «FORSTAR».



JONHON

«JONHON» (основан в 1970 г.)

Разъемы специального, военного и аэрокосмического назначения:

(Применяются в военной, авиационной, аэрокосмической, морской, железнодорожной, горно- и нефтедобывающей отраслях промышленности)

«FORSTAR» (основан в 1998 г.)

ВЧ соединители, коаксиальные кабели, кабельные сборки и микроволновые компоненты:

(Применяются в телекоммуникациях гражданского и специального назначения, в средствах связи, РЛС, а так же военной, авиационной и аэрокосмической отраслях промышленности).



Телефон: 8 (812) 309-75-97 (многоканальный)

Факс: 8 (812) 320-03-32

Электронная почта: ocean@oceanchips.ru

Web: <http://oceanchips.ru/>

Адрес: 198099, г. Санкт-Петербург, ул. Калинина, д. 2, корп. 4, лит. А