

Three Channel Digital Isolator

Features

- Three-channel digital isolator
 - One receive & two transmit channels
- Powered from input signal, no V_{CC} required
- Small size and low external component count reduce system complexity while preserving system power density
- Operating input voltage = 3.3 V (typ.)
- DC Isolation voltage = 4242 V_{DC}
- AC Isolation voltage = 3000 V_{RMS}
- 10 mm x 10 mm Land Grid Array (LGA) package
- 8.6 mm creepage
- Safety Regulatory Approvals
 - IEC 60950-1
 - EN 60950-1
 - UL 60950-1

Typical Applications

- 380 VDC Power Distribution
- High End Computing Systems
- Automated Test Equipment
- Industrial Systems
- High Density Power Supplies
- Communications Systems
- Transportation

Product Description

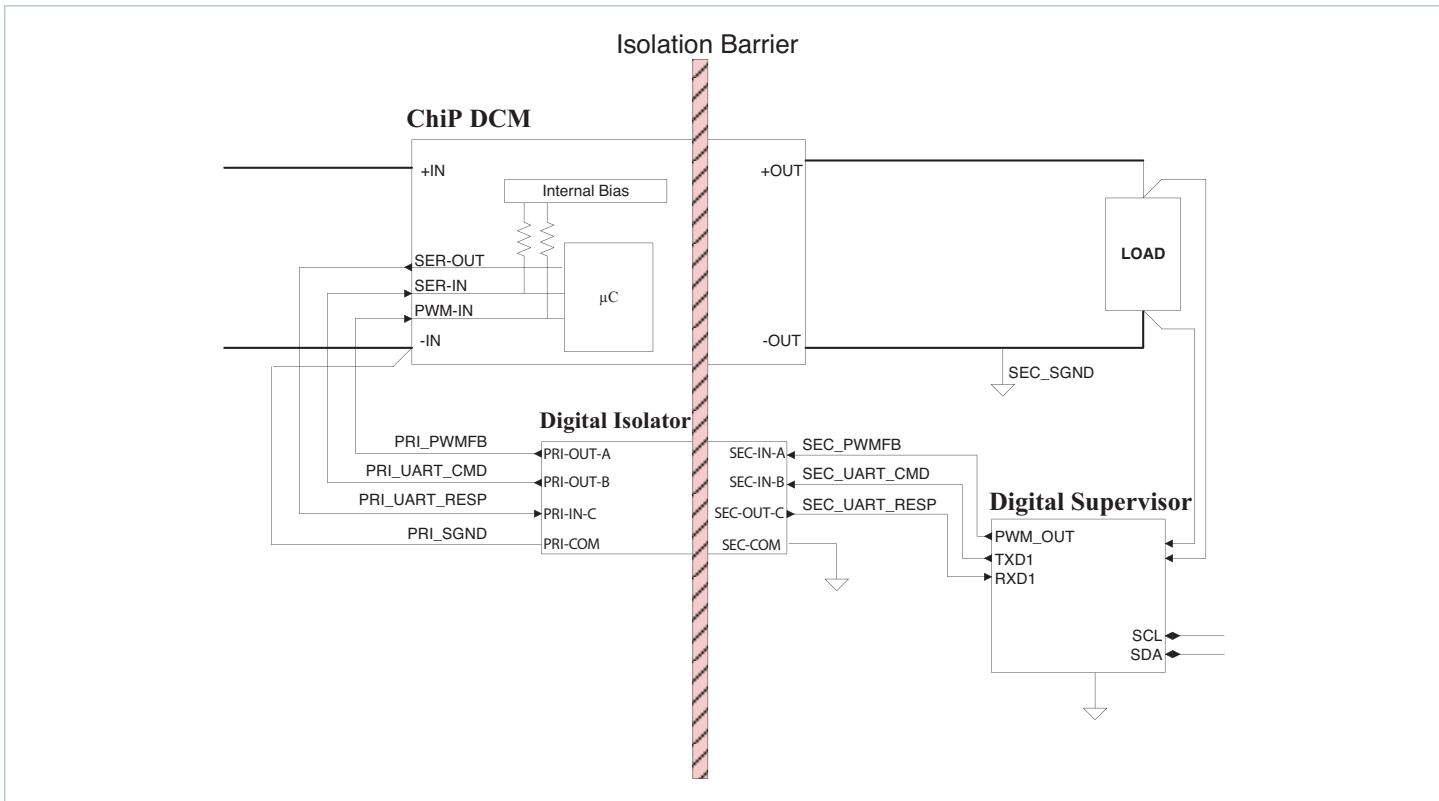
The I13xL1A0 is a three-channel passive Digital Isolator which enables secondary referenced digital power system monitoring and control when used in conjunction with Vicor's Digital Supervisor and high performance power conversion, regulation, and transformation modules.

The I13xL1A0's passive design reduces system complexity, while its small footprint increases system power density.

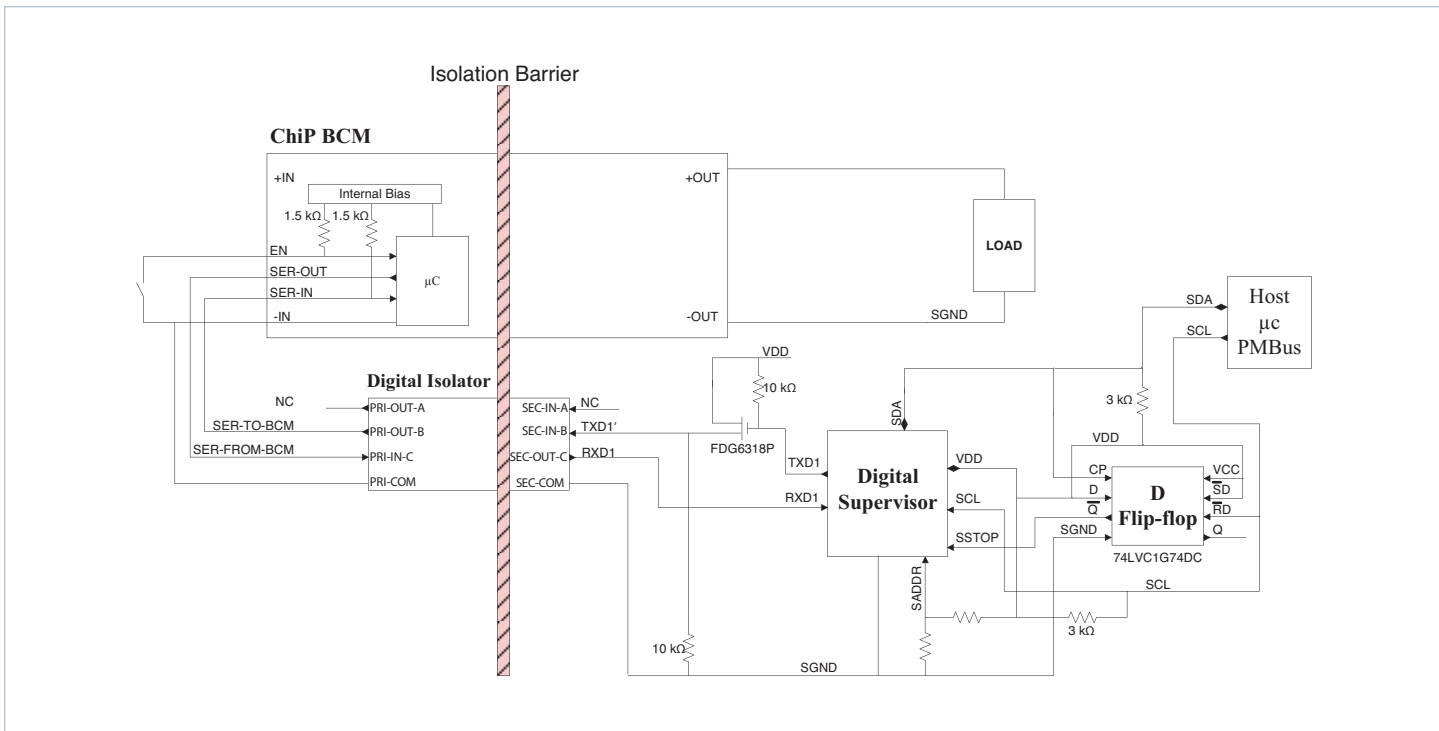
Standard Models

Part Number	Package Type	Temperature
I13TL1A0	LGA (10 x 10 mm)	T-Grade (-40°C to 125°C)
I13ML1A0	LGA (10 x 10 mm)	M-Grade (-55°C to 125°C)

Typical Application

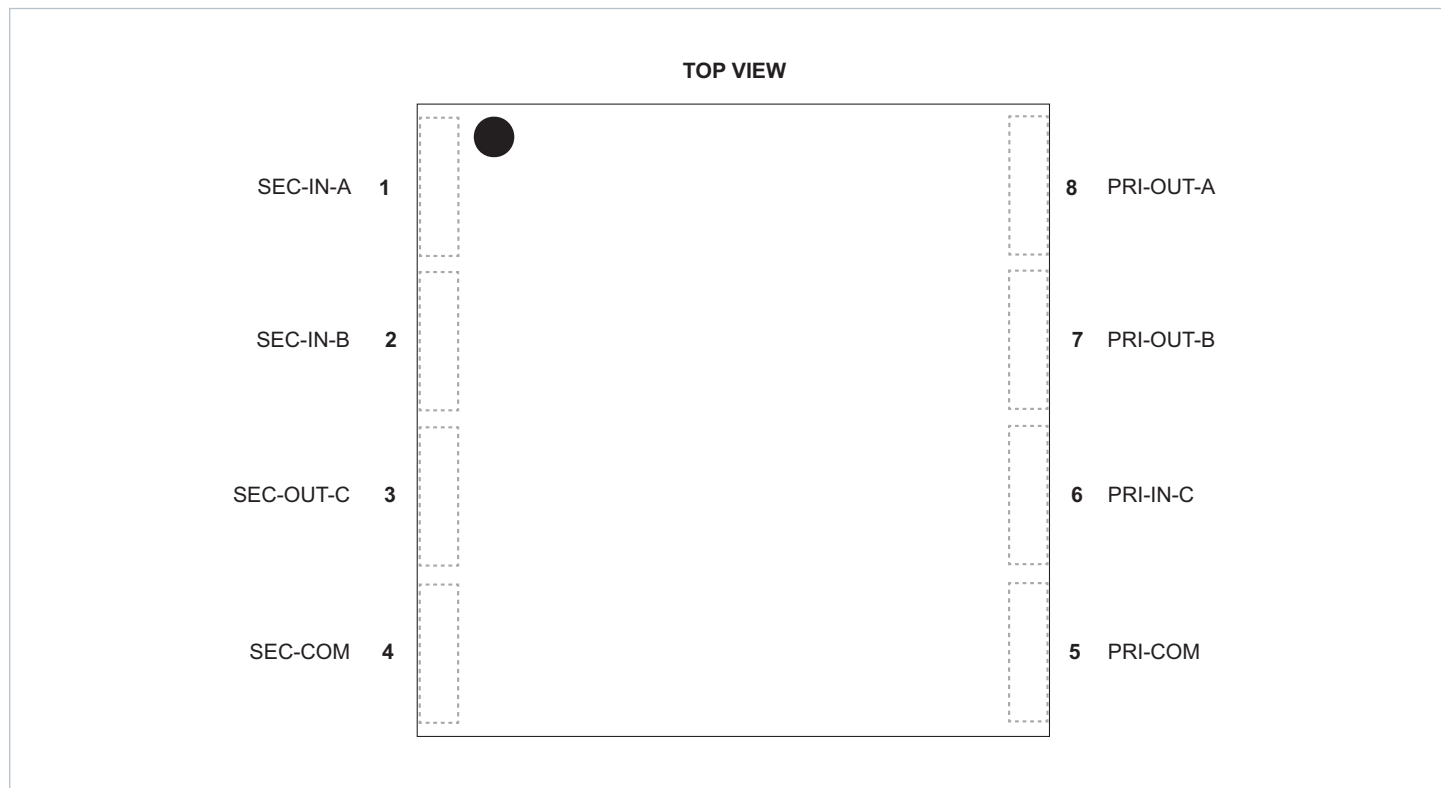


I13xL1A0 + Isolated Regulated DC/DC Converter Module and Digital Supervisor



I13xL1A0 + Offline BCM and Digital Supervisor

Pin Configuration



Pin Description

PIN Number	Signal Name	PIN Type	Function
1	SEC-IN-A	INPUT	A channel input on secondary
2	SEC-IN-B	INPUT	B channel input on secondary
3	SEC-OUT-C	OUTPUT	C channel output on secondary
4	SEC-COM	COMMON (secondary side)	Reference for secondary side signals
5	PRI-COM	COMMON (primary side)	Reference for primary side signals
6	PRI-IN-C	INPUT	C channel input on primary
7	PRI-OUT-B	OUTPUT	B channel output on primary
8	PRI-OUT-A	OUTPUT	A channel output on primary

Absolute Maximum Ratings

ABSOLUTE MAXIMUM ratings are stress ratings only. Operation at or beyond these maximum ratings can cause permanent damage to the device. Electrical specifications do not apply when operating beyond rated operating conditions. Operating beyond rated operating conditions for extended period of time may affect device reliability. All voltages are specified relative to the associated COMMON pin unless otherwise noted. Positive pin current represents current flowing out of the pin.

Parameter	Comments	Min	Max	Unit
Any input		-0.5	4.6	V
Any output	Off state voltage	-0.5	6	V
	On state current	-10		mA
Dielectric withstand (PRI-COM to SEC-COM)	Reinforced insulation 1 min.	4,242		Vdc
		3,000		Vrms
Operating Internal Temperature	T grade	-40	125	°C
	M grade	-55	125	°C
Storage Temperature	T grade	-40	125	°C
	M grade	-65	125	°C

Electrical Specifications

Specifications apply with $T_{INT} = 25^{\circ}\text{C}$ unless otherwise noted. **Boldface** specifications apply over the temperature range of $-40^{\circ}\text{C} \leq T_{INT} \leq +125^{\circ}\text{C}$ (T-Grade), or $-55^{\circ}\text{C} \leq T_{INT} \leq +125^{\circ}\text{C}$ (M-Grade).

Attribute	Symbol	Conditions / Notes	Min	Typ	Max	Unit
Minimum pulse width	t_{PW-MIN}	$V_{IN} = 3.3\text{ V}$	84			ns
Turn-on time	t_{ON}	$V_{IN} = 3.3\text{ V}$	35	45	58	ns
Output fall time at turn-on	t_{FALL}	Output with 1.5 k Ω to 3.3 V		22	26	ns
Turn-off time	t_{OFF}	$V_{IN} = 0.0\text{ V}$	30	55	84	ns
Output rise time at turn-off	t_{RISE}	Output with 1.5 k Ω to 3.3 V		65	95	ns
Common mode Transient Immunity	V_{CMTI}	$V_{IN} = 0.0\text{ V}$ or 3.3 V, output = 1.5 k Ω to 3.3 V	3.0			kV/ μs

Signal Characteristics

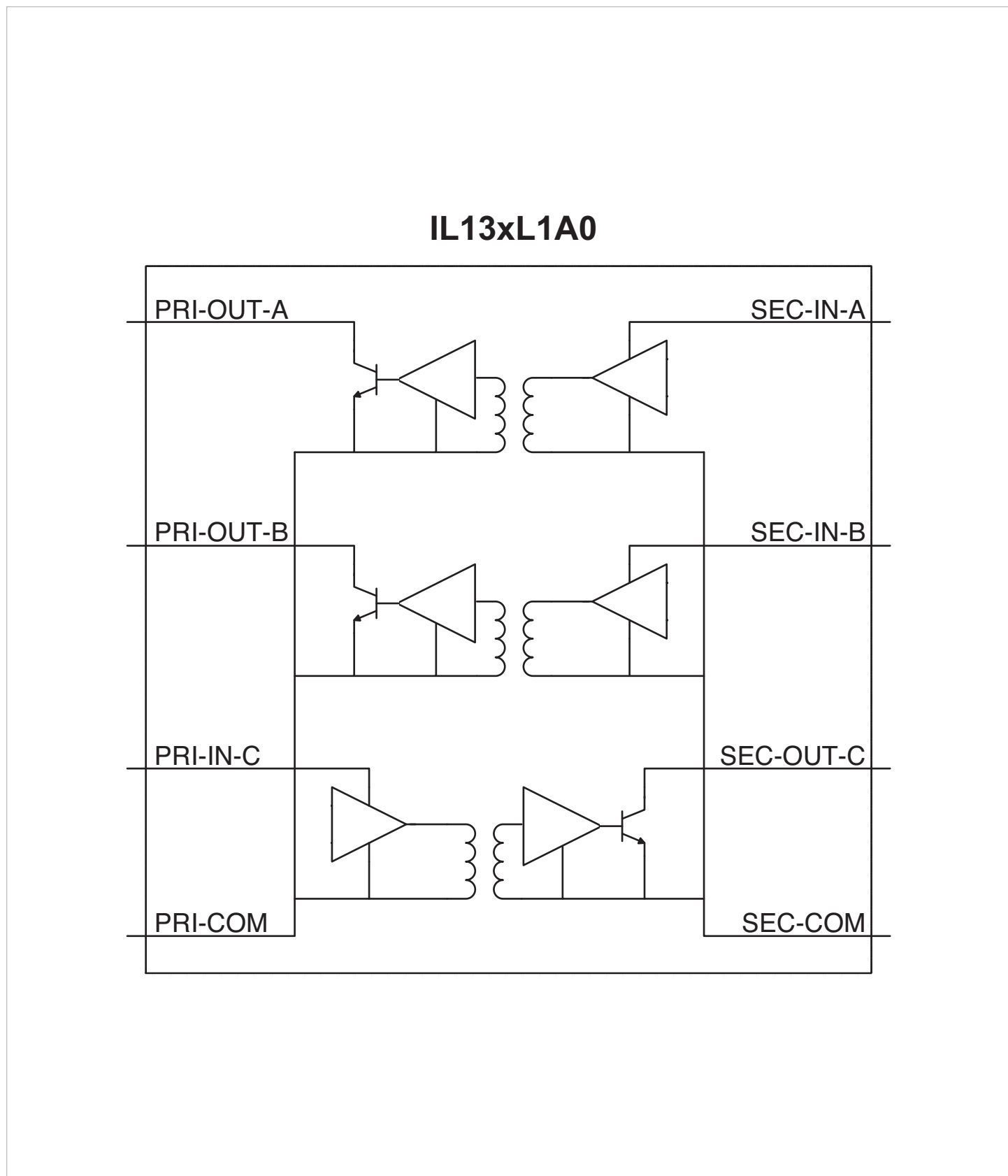
Specifications apply with $T_{INT} = 25^{\circ}\text{C}$ unless otherwise noted. **Boldface** specifications apply over the temperature range of $-40^{\circ}\text{C} \leq T_{INT} \leq +125^{\circ}\text{C}$ (T-Grade), or $-55^{\circ}\text{C} \leq T_{INT} \leq +125^{\circ}\text{C}$ (M-Grade).

PRI-COM, SEC-COM								
• PRI-COM and SEC-COM serve as the return current node for any channel inputs or outputs on each side of the Digital Isolator's isolation boundary.								
SIGNAL TYPE	STATE	ATTRIBUTE	SYMBOL	CONDITIONS / NOTES	MIN	TYP	MAX	UNIT
COMMON MODE	Any	Coupling Capacitance	C_{IN-OUT}	$V_{CM} = 0\text{ V}, f = 1\text{ MHz}$		7.5		pF

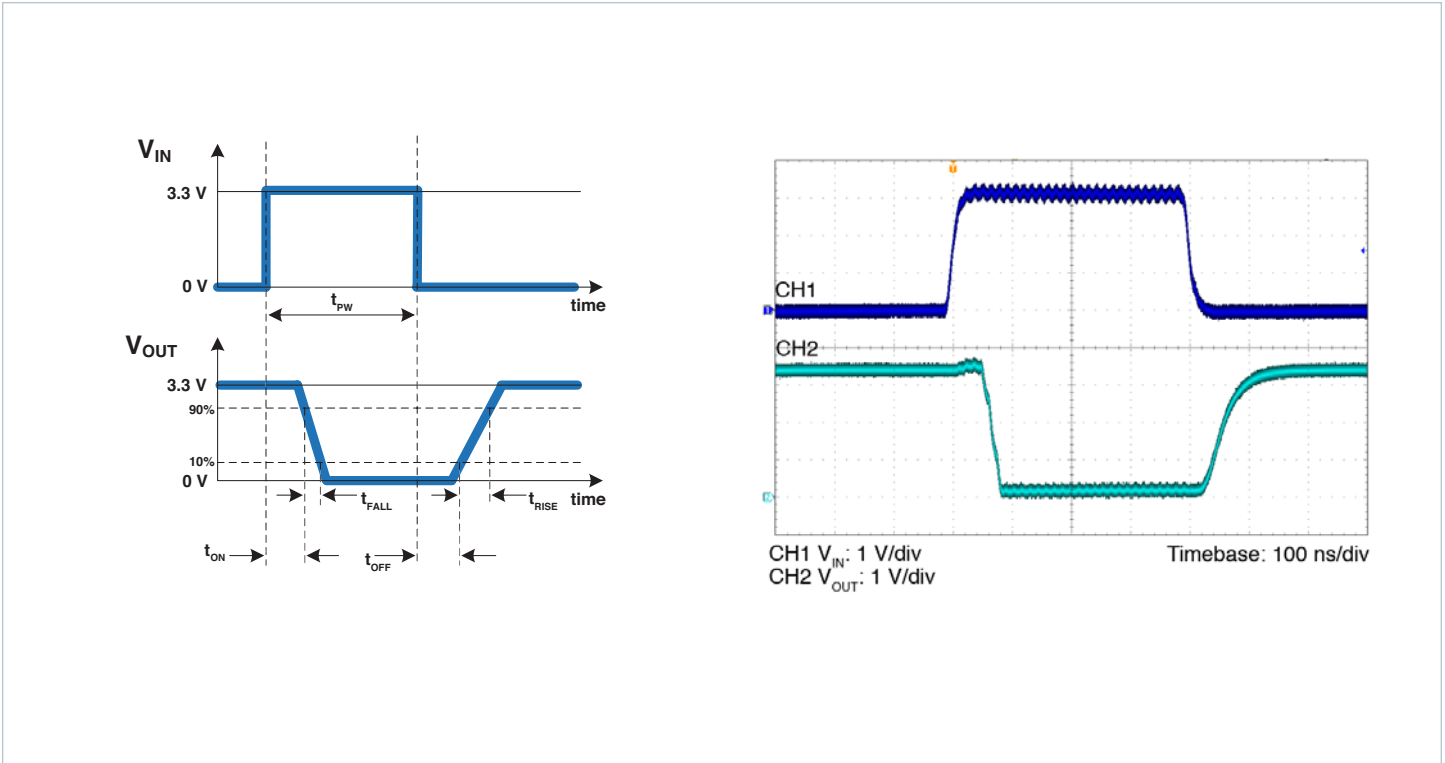
PRI-IN- <i>n</i> , SEC-IN- <i>n</i>								
• PRI-IN- <i>n</i> and SEC-IN- <i>n</i> are the drive sides of each channel. The input characteristics are the same for each of the three channels.								
SIGNAL TYPE	STATE	ATTRIBUTE	SYMBOL	CONDITIONS / NOTES	MIN	TYP	MAX	UNIT
INPUT	OFF	Input voltage	V_{IL}		0.00		1.96	V
		Input capacitance	C_{IN}			200	210	pF
	ON	Input voltage	V_{IH}		2.5	3.3	3.6	V
		Input current	I_{IH}	$V_{IN} = 3.3\text{ V}$			5.06	5.7

PRI-OUT- <i>n</i> , SEC-OUT- <i>n</i>									
• PRI-OUT- <i>n</i> and SEC-OUT- <i>n</i> are the receive sides of each channel. The output characteristics are the same for each of the three channels.									
SIGNAL TYPE	STATE	ATTRIBUTE	SYMBOL	CONDITIONS / NOTES	MIN	TYP	MAX	UNIT	
OUTPUT	OFF	Voltage level	V_{OH}	$R_{PULL-UP} = 1.5\text{ k}\Omega$ to 3.3 V	3.0	3.3		V	
		Leakage current	$I_{OUT-LEAKAGE}$	$R_{PULL-UP} = 1.5\text{ k}\Omega$ to 3.3 V		700	870	μA	
		Capacitance	C_{OUT}	with $V_{OUT} = 3.3\text{ V}$		9	13	pF	
			External trace capacitance	$C_{OUT-EXT}$				TBD	pF
	ON	Voltage level	V_{OL}	$V_{IN} = 3.3\text{ V}, R_{PULL-UP} = 1.5\text{ k}\Omega$ to 3.3 V			0.2	0.3	V
		Drive current	I_{OL}	$V_{IN} = 3.3\text{ V}, R_{PULL-UP} = 1.5\text{ k}\Omega$ to 3.3 V, for $V_{OUT} < 0.3\text{ V}$	2.00	2.07		mA	
		Ripple voltage	V_{RIPPLE}	$V_{IN} = 3.3\text{ V}, R_{PULL-UP} = 1.5\text{ k}\Omega$ to 3.3 V		75	120	mVpp	
		Ripple frequency	f_{RIPPLE}	$V_{IN} = 3.3\text{ V}, R_{PULL-UP} = 1.5\text{ k}\Omega$ to 3.3 V	75	85	95	MHz	

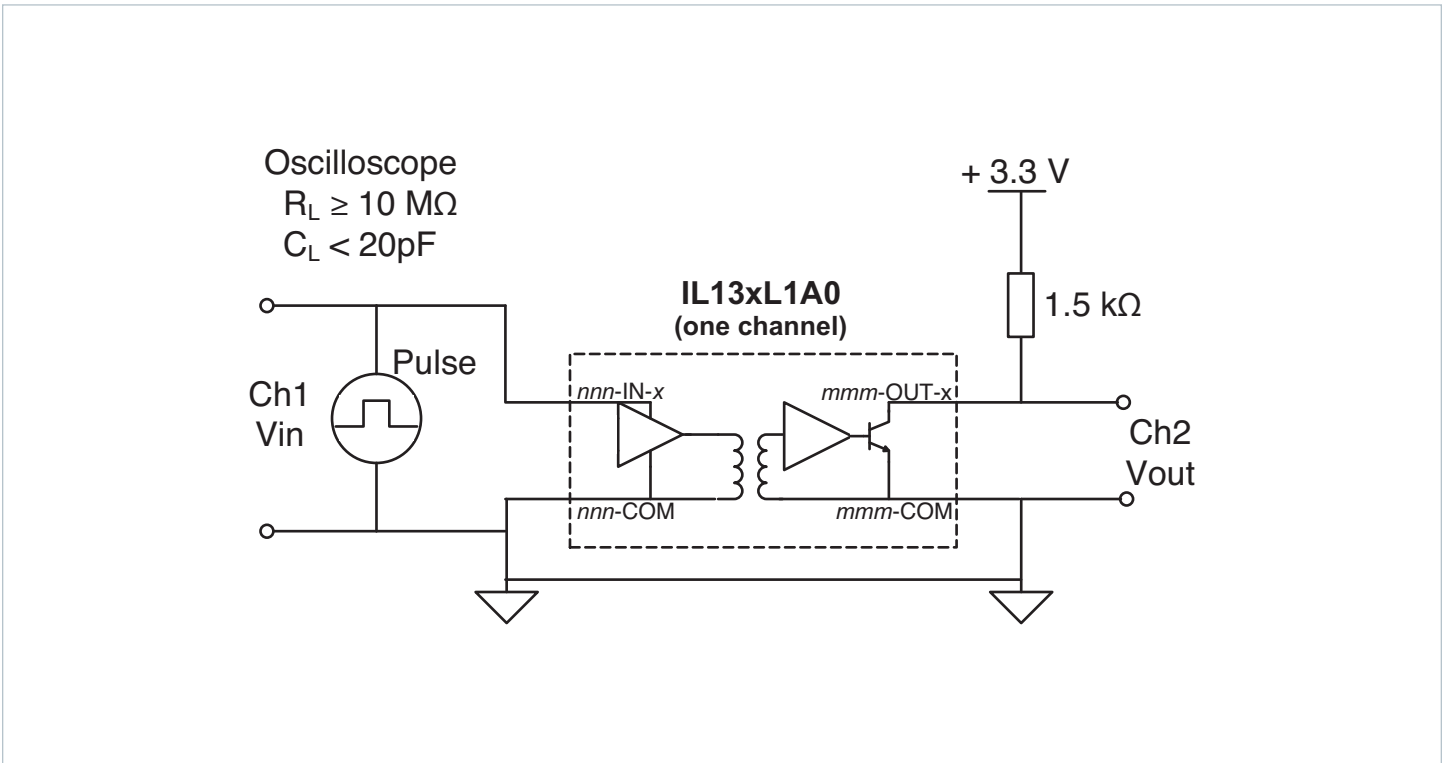
Block Diagram



Timing Definition and Typical Performance Characteristics



Test Circuit



Safety and Insulation Ratings, General Characteristics

Specifications apply with $T_{INT} = 25^{\circ}\text{C}$ unless otherwise noted. **Boldface** specifications apply over the temperature range of $-40^{\circ}\text{C} \leq T_{INT} \leq +125^{\circ}\text{C}$ (T-Grade), or $-55^{\circ}\text{C} \leq T_{INT} \leq +125^{\circ}\text{C}$ (M-Grade).

Attribute	Symbol	Conditions / Notes	Min	Typ	Max	Unit
Safety and Insulation Ratings						
Insulation resistance		$T_{amb} = 25^{\circ}\text{C}$, VDC = 500 Vdc	500			M Ω
Creepage distance			8.6			mm
Clearance distance			8.6			mm
Insulation thickness (DTI)			0.4			mm
Mechanical						
Length	L		9.90 / [0.390]	10.00 / [0.394]	10.10 / [0.398]	mm / [in]
Width	W		9.90 / [0.390]	10.00 / [0.394]	10.10 / [0.398]	mm / [in]
Height	H		2.23 / [0.0917]	2.41 / [0.0949]	2.49 / [0.0980]	mm / [in]
Volume	Vol			0.241 / [0.0147]		cm ³ / [in ³]
Weight	W			0.54 / [0.0019]		g / [oz]
Pad finish		Nickel	5.0			μm
		Palladium	0.3			
		Gold	0.03			
Thermal						
Power dissipation	P_D	All three channels ON, $V_{IN} = 3.6\text{ V}$, $I_{OUT} = 5\text{ mA}$			100	mW
Thermal resistance	$\theta_{INT-PADS}$			38		$^{\circ}\text{C/W}$
Operating internal temperature T_{INT} is the hottest junction under any specified operating condition	T_{INT}	T grade	-40		125	$^{\circ}\text{C}$
		M grade	-55		125	$^{\circ}\text{C}$

Safety and Insulation Ratings, General Characteristics (Cont.)

Specifications apply with $T_{INT} = 25^{\circ}\text{C}$ unless otherwise noted. **Boldface** specifications apply over the temperature range of $-40^{\circ}\text{C} \leq T_{INT} \leq +125^{\circ}\text{C}$ (T-Grade), or $-55^{\circ}\text{C} \leq T_{INT} \leq +125^{\circ}\text{C}$ (M-Grade).

Attribute	Symbol	Conditions / Notes	Min	Typ	Max	Unit
Assembly						
Storage temperature	T_{ST}	T grade	-40		125	$^{\circ}\text{C}$
		M grade	-65		125	$^{\circ}\text{C}$
Moisture sensitivity level	MSL	MSL 4, 72 hours out of bag				
ESD rating	ESD _{HBM}	Human Body Model, "JEDEC JESD 22-A114C.01 "				
	ESD _{CDM}	Charged Device Model, "JEDEC JESD 22-C101D "				
Soldering						
Peak temperature during reflow		Under MSL 4 conditions above	235	245	260	$^{\circ}\text{C}$
Maximum time above 217 $^{\circ}\text{C}$			30	60	90	s
Peak heating rate during reflow			0.5	1.5	3.0	$^{\circ}\text{C}/\text{s}$
Peak cooling rate post reflow			0.5	2.0	6.0	$^{\circ}\text{C}/\text{s}$
Reliability						
MTBF		Telcordia Issue 2 - Method I Case 3 25 $^{\circ}\text{C}$; GB, GC, 100%		17.24		MHrs
		MIL-HDBK-217 Plus Parts Count - 25 $^{\circ}\text{C}$ Ground Benign		13.83		MHrs
Agency Approvals						
Agency Approvals / Standards		cURus, cTÜVus, UL60950-1, EN/IEC 60950-1				
		CE Marked for Low Voltage Directive and RoHS Recast Directive				

Product Description

The Digital Isolator is a three channel, signal powered logic isolator. It uses an air core magnetic structure to couple power from the input of each channel to the receiver in the channel's output. The inputs are driven from a voltage driver source and require no series current limiting resistors; the outputs are open-collector, and perform a logical inversion of the input signal.

Digital Isolators are an effective alternative to optocouplers. Their low profile is valuable in high density power systems, their channel count is optimized for Vicor BCM and DCM converters.

Digital Isolators offer improved system reliability as there is no LED emitter to degrade with use, and no optical barrier to degrade with time.

All three channels have the same internal structure and nominal performance, but are grouped in a 2 transmit/ 1 receive configuration so that data can be transferred to and from the power converters in the system. A Digital Isolator channel performs a logical inversion on the data as it is transferred to the open collector output. The transmit and receive ports on each side of the isolation boundary have a common low side, to optimize package pin utilization.

Design Guidelines

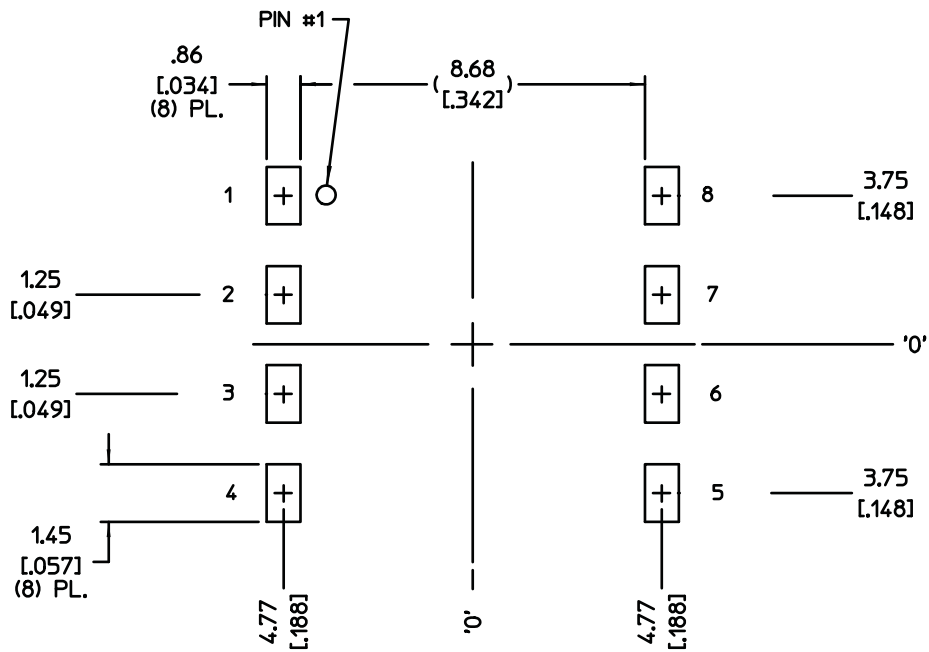
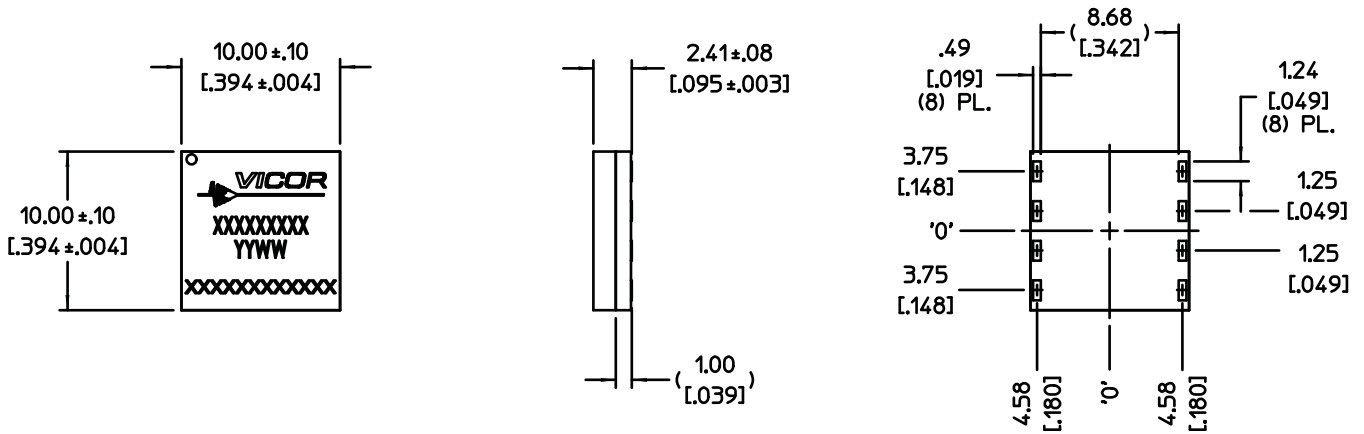
The Digital Isolator should be physically placed near its associated powertrain, across the isolation barrier of PCB. The maximum recommended trace length between any of the Digital Isolator (primary side) transmit and receive channels and the primary referenced control pins of the powertrain is 6".

The maximum recommended trace length between any of the Digital Isolator secondary referenced transmit and receive channels and the system Digital Supervisor i/o pin is 18".

All traces should be 8 mil wide, ½ oz. copper, or equivalent for series resistance purposes. While strict impedance control is not required for proper operation, the three channel signals on each side of the Digital Isolator should be routed in such a way as to minimize the likelihood of interference or stray noise pickup. A stripline or microstrip structure is recommended, with the common pin run as the shield or reference.

Product Outline Drawing and Recommended Land Pattern

10 mm x 10 mm LGA (Land Grid Array)



RECOMMENDED LAND PATTERN

Vicor's comprehensive line of power solutions includes high density AC-DC and DC-DC modules and accessory components, fully configurable AC-DC and DC-DC power supplies, and complete custom power systems.

Information furnished by Vicor is believed to be accurate and reliable. However, no responsibility is assumed by Vicor for its use. Vicor makes no representations or warranties with respect to the accuracy or completeness of the contents of this publication. Vicor reserves the right to make changes to any products, specifications, and product descriptions at any time without notice. Information published by Vicor has been checked and is believed to be accurate at the time it was printed; however, Vicor assumes no responsibility for inaccuracies. Testing and other quality controls are used to the extent Vicor deems necessary to support Vicor's product warranty. Except where mandated by government requirements, testing of all parameters of each product is not necessarily performed.

Specifications are subject to change without notice.

Vicor's Standard Terms and Conditions

All sales are subject to Vicor's Standard Terms and Conditions of Sale, which are available on Vicor's webpage or upon request.

Product Warranty

In Vicor's standard terms and conditions of sale, Vicor warrants that its products are free from non-conformity to its Standard Specifications (the "Express Limited Warranty"). This warranty is extended only to the original Buyer for the period expiring two (2) years after the date of shipment and is not transferable.

UNLESS OTHERWISE EXPRESSLY STATED IN A WRITTEN SALES AGREEMENT SIGNED BY A DULY AUTHORIZED VICOR SIGNATORY, VICOR DISCLAIMS ALL REPRESENTATIONS, LIABILITIES, AND WARRANTIES OF ANY KIND (WHETHER ARISING BY IMPLICATION OR BY OPERATION OF LAW) WITH RESPECT TO THE PRODUCTS, INCLUDING, WITHOUT LIMITATION, ANY WARRANTIES OR REPRESENTATIONS AS TO MERCHANTABILITY, FITNESS FOR PARTICULAR PURPOSE, INFRINGEMENT OF ANY PATENT, COPYRIGHT, OR OTHER INTELLECTUAL PROPERTY RIGHT, OR ANY OTHER MATTER.

This warranty does not extend to products subjected to misuse, accident, or improper application, maintenance, or storage. Vicor shall not be liable for collateral or consequential damage. Vicor disclaims any and all liability arising out of the application or use of any product or circuit and assumes no liability for applications assistance or buyer product design. Buyers are responsible for their products and applications using Vicor products and components. Prior to using or distributing any products that include Vicor components, buyers should provide adequate design, testing and operating safeguards.

Vicor will repair or replace defective products in accordance with its own best judgment. For service under this warranty, the buyer must contact Vicor to obtain a Return Material Authorization (RMA) number and shipping instructions. Products returned without prior authorization will be returned to the buyer. The buyer will pay all charges incurred in returning the product to the factory. Vicor will pay all reshipment charges if the product was defective within the terms of this warranty.

Life Support Policy

VICOR'S PRODUCTS ARE NOT AUTHORIZED FOR USE AS CRITICAL COMPONENTS IN LIFE SUPPORT DEVICES OR SYSTEMS WITHOUT THE EXPRESS PRIOR WRITTEN APPROVAL OF THE CHIEF EXECUTIVE OFFICER AND GENERAL COUNSEL OF VICOR CORPORATION. As used herein, life support devices or systems are devices which (a) are intended for surgical implant into the body, or (b) support or sustain life and whose failure to perform when properly used in accordance with instructions for use provided in the labeling can be reasonably expected to result in a significant injury to the user. A critical component is any component in a life support device or system whose failure to perform can be reasonably expected to cause the failure of the life support device or system or to affect its safety or effectiveness. Per Vicor Terms and Conditions of Sale, the user of Vicor products and components in life support applications assumes all risks of such use and indemnifies Vicor against all liability and damages.

Intellectual Property Notice

Vicor and its subsidiaries own Intellectual Property relating to the products described in this data sheet. No license, whether express, implied, or arising by estoppel or otherwise, to any intellectual property rights is granted by this document. Interested parties should contact Vicor's Intellectual Property Department.

The products described on this data sheet are protected by the following U.S. Patents Numbers: 8,772,290

Vicor Corporation

25 Frontage Road
Andover, MA, USA 01810
Tel: 800-735-6200
Fax: 978-475-6715

email

Customer Service: custserv@vicorpower.com
Technical Support: apps@vicorpower.com

Mouser Electronics

Authorized Distributor

Click to View Pricing, Inventory, Delivery & Lifecycle Information:

[Vicor:](#)

[I13TL1A0](#)

Компания «Океан Электроники» предлагает заключение долгосрочных отношений при поставках импортных электронных компонентов на взаимовыгодных условиях!

Наши преимущества:

- Поставка оригинальных импортных электронных компонентов напрямую с производств Америки, Европы и Азии, а так же с крупнейших складов мира;
- Широкая линейка поставок активных и пассивных импортных электронных компонентов (более 30 млн. наименований);
- Поставка сложных, дефицитных, либо снятых с производства позиций;
- Оперативные сроки поставки под заказ (от 5 рабочих дней);
- Экспресс доставка в любую точку России;
- Помощь Конструкторского Отдела и консультации квалифицированных инженеров;
- Техническая поддержка проекта, помощь в подборе аналогов, поставка прототипов;
- Поставка электронных компонентов под контролем ВП;
- Система менеджмента качества сертифицирована по Международному стандарту ISO 9001;
- При необходимости вся продукция военного и аэрокосмического назначения проходит испытания и сертификацию в лаборатории (по согласованию с заказчиком);
- Поставка специализированных компонентов военного и аэрокосмического уровня качества (Xilinx, Altera, Analog Devices, Intersil, Interpoint, Microsemi, Actel, Aeroflex, Peregrine, VPT, Syfer, Eurofarad, Texas Instruments, MS Kennedy, Miteq, Cobham, E2V, MA-COM, Hittite, Mini-Circuits, General Dynamics и др.);

Компания «Океан Электроники» является официальным дистрибьютором и эксклюзивным представителем в России одного из крупнейших производителей разъемов военного и аэрокосмического назначения «JONHON», а так же официальным дистрибьютором и эксклюзивным представителем в России производителя высокотехнологичных и надежных решений для передачи СВЧ сигналов «FORSTAR».



JONHON

«JONHON» (основан в 1970 г.)

Разъемы специального, военного и аэрокосмического назначения:

(Применяются в военной, авиационной, аэрокосмической, морской, железнодорожной, горно- и нефтедобывающей отраслях промышленности)

«FORSTAR» (основан в 1998 г.)

ВЧ соединители, коаксиальные кабели,
кабельные сборки и микроволновые компоненты:

(Применяются в телекоммуникациях гражданского и специального назначения, в средствах связи, РЛС, а так же военной, авиационной и аэрокосмической отраслях промышленности).



Телефон: 8 (812) 309-75-97 (многоканальный)

Факс: 8 (812) 320-03-32

Электронная почта: ocean@oceanchips.ru

Web: <http://oceanchips.ru/>

Адрес: 198099, г. Санкт-Петербург, ул. Калинина, д. 2, корп. 4, лит. А