

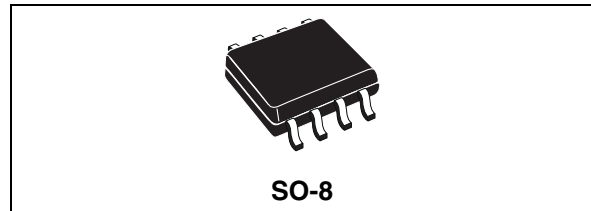


A6902D

Up to 1 A step down switching regulator with adjustable current limit for automotive applications

Features

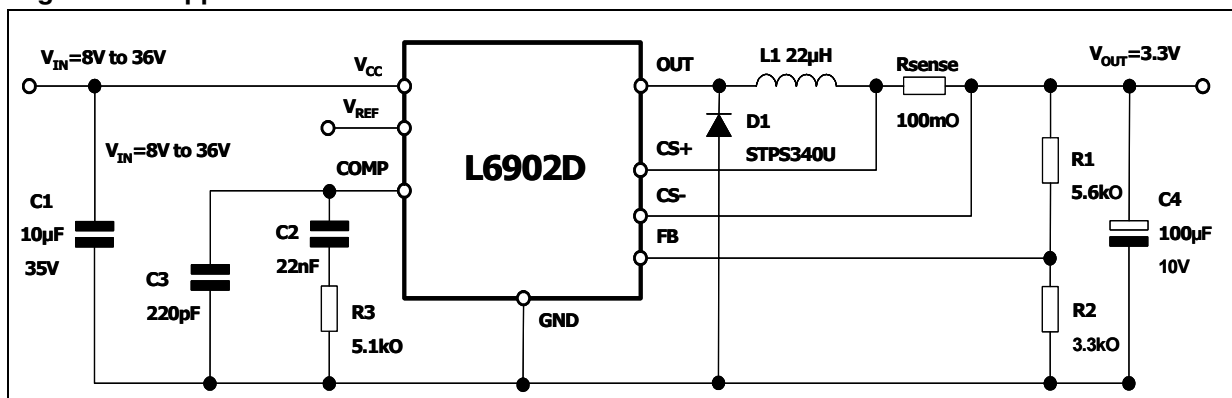
- Qualified following the AEC-Q100 requirements (see PPAP for more details)
- Up to 1 A DC output current
- Operating input voltage from 8 V to 36 V
- Output voltage adjustable from 1.235 V to 35 V
- Precise 3.3 V ($\pm 2\%$) reference voltage
- 250 kHz Internally fixed frequency
- Voltage feedforward
- Zero-load current operation
- Internal current limiting
- Protection against feedback disconnection
- Thermal shutdown



Applications

- Automotive applications
- Adjustable current generator
- Simple step-down converters with adjustable current limit

Figure 1. Application schematic



Contents

1	Description	3
2	Pin connection	4
	2.1 Pin connection	4
	2.2 Pin description	4
3	Electrical data	5
	3.1 Maximum ratings	5
	3.2 Thermal data	5
4	Electrical characteristics	6
5	Package mechanical data	8
6	Order codes	10
7	Revision history	11

1 Description

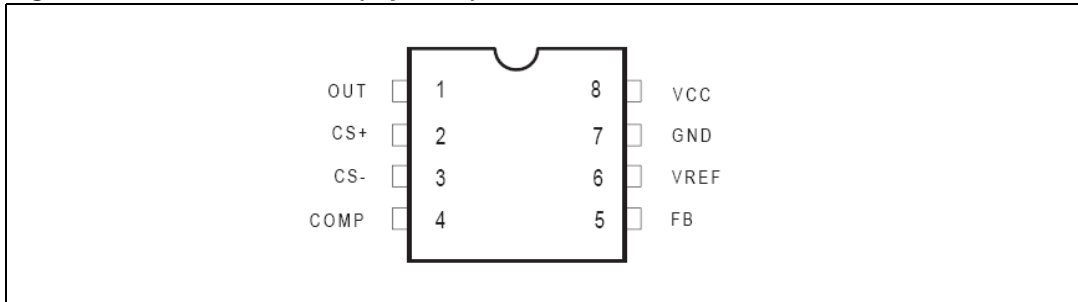
The A6902D is a complete and simple step down switching regulator with adjustable current limit. Based on a voltage mode structure it integrates a current error amplifier to have a constant voltage and constant current control. By means of an on board current sense resistor and the availability of the current sense pins (both compatible to Vcc and for Cs-compatible with GND too) a current limit programming is very simple and accurate. Moreover constant current control can be used to charge NiMH and NiCd batteries. The device can be used as a standard DC/DC converter with adjustable current limit (set by using the external sense resistor). The internal robust P-channel DMOS transistor with a typical of 250 mΩ assures high efficiency and a minimum dropout even at high output current level. The internal limiting current (latched function) of typical value of 2.5 A protects the device from accidental output short circuit avoiding dangerous loads damage. If the temperature of the chip goes higher than a fixed internal threshold (150 °C with 20 °C hysteresis), the power stage is turned off.

Other protections beside thermal shutdown complete the device for a safe and reliable application: overvoltage protection, frequency folback overcurrent protection and protection vs. feedback disconnection. The internal fixed switching frequency of 250 kHz, and the SO-8 package pin allow to built an ultra compact DC/DC converter with a minimum board space.

2 Pin connection

2.1 Pin connection

Figure 2. Pin connection (top view)



2.2 Pin description

Table 1. Pin description

N°	Pin	Description
1	OUT	Regulator output.
2	CS+	Current error amplifier input (current sense at higher voltage)
3	CS-	Current error amplifier input (current sense at lower voltage)
4	COMP	E/A output for frequency compensation.
5	FB	Feedback input. Connecting directly to this pin results in an output voltage of 1.23 V. An external resistive divider is required for higher output voltages.
6	V _{REF}	3.3 V reference voltage. No cap is need for stability.
7	GND	Ground.
8	VCC	Unregulated DC input voltage.

3 Electrical data

3.1 Maximum ratings

Table 2. Absolute maximum ratings

Symbol	Parameter	Value	Unit
V_8	Input voltage	40	V
V_1	OUT pin DC voltage	-1 to 40	V
	OUT pin peak voltage at $\Delta t = 0.1 \mu s$	-5 to 40	V
I_1	Maximum output current	int. limit.	
V_4, V_5	Analog pins	4	V
V_2, V_3	Analog pins	-0.3 to V_{CC}	V
P_{TOT}	Power dissipation at $T_A \leq 70 \text{ }^\circ\text{C}$	0.7	W
T_J	Operating junction temperature range	-40 to 150	$^\circ\text{C}$
T_{STG}	Storage temperature range	-55 to 150	$^\circ\text{C}$

3.2 Thermal data

Table 3. Thermal data

Symbol	Parameter	SO8	Unit
R_{thJA}	Maximum thermal resistance junction-ambient	110 ⁽¹⁾	$^\circ\text{C/W}$

1. Package mounted on board

4 Electrical characteristics

$T_J = -40$ to 125 °C, $V_{CC} = 12$ V, unless otherwise specified

Table 4. Electrical characteristics

Symbol	Parameter	Test conditions	Min.	Typ.	Max.	Unit
V_{CC}	Operating input voltage range	$V_0 = 1.235$ V; $I_0 = 2$ A	8		36	V
$R_{DS(on)}$	MOSFET on resistance			0.250	0.5	Ω
I_L	Maximum limiting current ⁽¹⁾	$V_{CC} = 8.5$ V	1.8	2.5	3.2	A
		$V_{CC} = 8.5$ V, $T_J = 25$ °C	2	2.5	3.2	
f_{SW}	Switching frequency		212	250	280	kHz
	Duty cycle		0		100	%
Dynamic characteristics (see test circuit)						
V_5	Voltage feedback	8 V < $V_{CC} < 36$ V, 20 mA < $I_0 < 1$ A	1.198	1.235	1.272	V
η	Efficiency	$V_0 = 5$ V, $V_{CC} = 12$ V		90		%
DC characteristics						
I_{qop}	Total operating quiescent current			3	5	mA
I_q	Quiescent current	Duty cycle = 0; $V_{FB} = 1.5$ V			2.7	mA
Error amplifier						
V_{OH}	High level output voltage	$V_{FB} = 1$ V	3.6			V
V_{OL}	Low level output voltage	$V_{FB} = 1.5$ V			0.4	V
$I_{o\ source}$	Source output current	$V_{COMP} = 1.9$ V; $V_{FB} = 1$ V	160	300		μ A
$I_{o\ sink}$	Sink output current	$V_{COMP} = 1.9$ V; $V_{FB} = 1.5$ V	1	1.5		mA
I_b	Source bias current			2.5	4	μ A
	DC open loop gain	$R_L = \infty$	50	58		dB
g_m	Transconductance	$I_{COMP} = -0.1$ mA to 0.1 mA; $V_{COMP} = 1.9$ V		2.3		mS
V_{OFFS}	Input offset voltage	$V_{CS-} = 1.8$ V; $V_{CS+} = V_{comp}$	90	100	110	mV
I_{CS+}	CS+ output current	$I_0 = 1$ A; $R_{SENSE} = 100$ m Ω ; $V_{OUT} < V_{CC} - 2$ V		1.5	3	μ A
I_{CS-}	CS- output current	$I_0 = 1$ A; $R_{SENSE} = 100$ m Ω ; $V_{OUT} < V_{CC} - 2$ V		1.5	3	μ A

Table 4. Electrical characteristics (continued)

Symbol	Parameter	Test conditions	Min.	Typ.	Max.	Unit
Reference section						
	Reference voltage	$I_{REF} = 0$ to 5 mA $V_{CC} = 8$ V to 36 V	3.2	3.3	3.399	V
	Line regulation	$I_{REF} = 0$ mA $V_{CC} = 8$ V to 36 V		5	10	mV
	Load regulation	$I_{REF} = 0$ to 5 mA		8	15	mV
	Short circuit current		5	18	35	mA

1. With $T_J = 85$ °C, $I_{lim_min} = 2$ A, assured by design, characterization and statistical correlation.

5 Package mechanical data

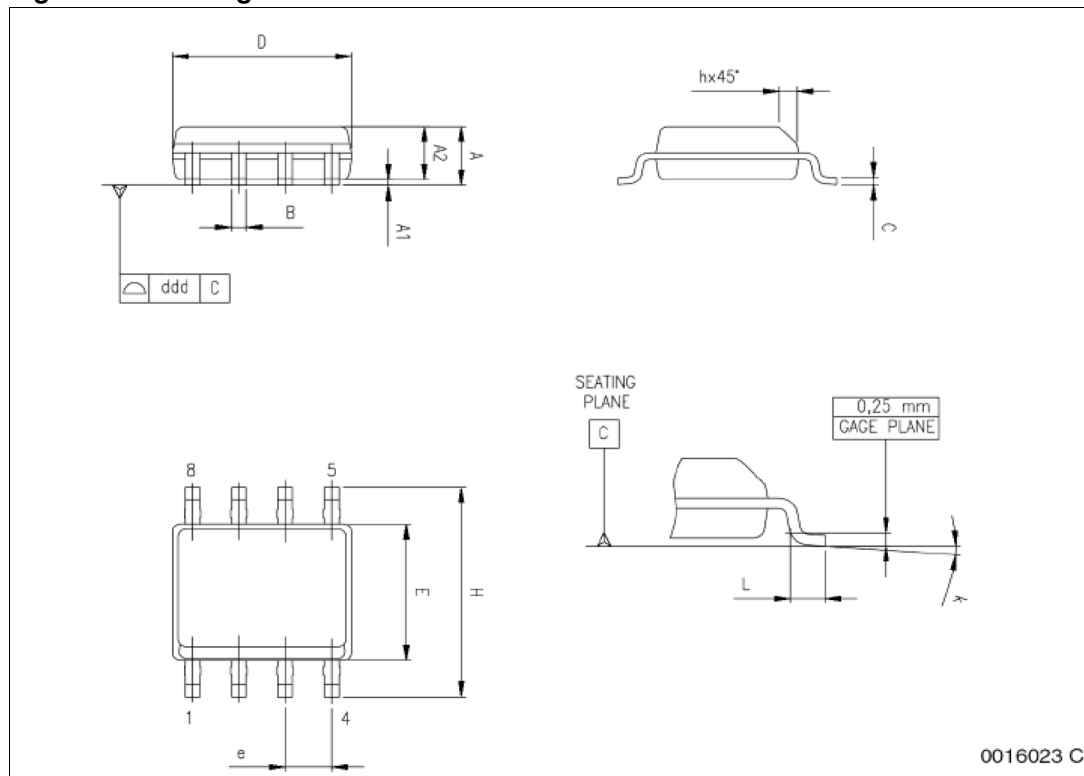
In order to meet environmental requirements, ST offers these devices in different grades of ECOPACK[®] packages, depending on their level of environmental compliance. ECOPACK[®] specifications, grade definitions and product status are available at: www.st.com. ECOPACK[®] is an ST trademark.

Table 5. SO-8 mechanical data

Dim	mm			inch		
	Min.	Typ.	Max.	Min.	Typ.	Max.
A	1.35		1.75	0.053		0.069
A1	0.10		0.25	0.004		0.010
A2	1.10		1.65	0.043		0.065
B	0.33		0.51	0.013		0.020
C	0.19		0.25	0.007		0.010
D ⁽¹⁾	4.80		5.00	0.189		0.197
E	3.80		4.00	0.15		0.157
e		1.27			0.050	
H	5.80		6.20	0.228		0.244
h	0.25		0.50	0.010		0.020
L	0.40		1.27	0.016		0.050
k	0° (min), 8° (max)					
ddd			0.10			0.004

1. Dimension D does not include mold flash, protrusions or gate burrs. Mold flash, protrusions or gate burrs shall not exceed 0.15 mm (0.006 inch) in total (both side).

Figure 3. Package dimensions



6 Order codes

Table 6. Ordering information

Order codes	Package	Packaging
A6902D	SO-8	Tube
A6902D13TR		Tape and reel

7 Revision history

Table 7. Document revision history

Date	Revision	Changes
02-Oct-2007	1	Initial release
5-Nov-2007	2	Updated: Table 4 on page 6
2-May-2008	3	Updated: Table 4 on page 6
28-Aug-2008	4	Updated: Coverpage and Table 4 on page 6
23-Apr-2009	5	Updated first feature in coverpage

Please Read Carefully:

Information in this document is provided solely in connection with ST products. STMicroelectronics NV and its subsidiaries ("ST") reserve the right to make changes, corrections, modifications or improvements, to this document, and the products and services described herein at any time, without notice.

All ST products are sold pursuant to ST's terms and conditions of sale.

Purchasers are solely responsible for the choice, selection and use of the ST products and services described herein, and ST assumes no liability whatsoever relating to the choice, selection or use of the ST products and services described herein.

No license, express or implied, by estoppel or otherwise, to any intellectual property rights is granted under this document. If any part of this document refers to any third party products or services it shall not be deemed a license grant by ST for the use of such third party products or services, or any intellectual property contained therein or considered as a warranty covering the use in any manner whatsoever of such third party products or services or any intellectual property contained therein.

UNLESS OTHERWISE SET FORTH IN ST'S TERMS AND CONDITIONS OF SALE ST DISCLAIMS ANY EXPRESS OR IMPLIED WARRANTY WITH RESPECT TO THE USE AND/OR SALE OF ST PRODUCTS INCLUDING WITHOUT LIMITATION IMPLIED WARRANTIES OF MERCHANTABILITY, FITNESS FOR A PARTICULAR PURPOSE (AND THEIR EQUIVALENTS UNDER THE LAWS OF ANY JURISDICTION), OR INFRINGEMENT OF ANY PATENT, COPYRIGHT OR OTHER INTELLECTUAL PROPERTY RIGHT.

UNLESS EXPRESSLY APPROVED IN WRITING BY AN AUTHORIZED ST REPRESENTATIVE, ST PRODUCTS ARE NOT RECOMMENDED, AUTHORIZED OR WARRANTED FOR USE IN MILITARY, AIR CRAFT, SPACE, LIFE SAVING, OR LIFE SUSTAINING APPLICATIONS, NOR IN PRODUCTS OR SYSTEMS WHERE FAILURE OR MALFUNCTION MAY RESULT IN PERSONAL INJURY, DEATH, OR SEVERE PROPERTY OR ENVIRONMENTAL DAMAGE. ST PRODUCTS WHICH ARE NOT SPECIFIED AS "AUTOMOTIVE GRADE" MAY ONLY BE USED IN AUTOMOTIVE APPLICATIONS AT USER'S OWN RISK.

Resale of ST products with provisions different from the statements and/or technical features set forth in this document shall immediately void any warranty granted by ST for the ST product or service described herein and shall not create or extend in any manner whatsoever, any liability of ST.

ST and the ST logo are trademarks or registered trademarks of ST in various countries.

Information in this document supersedes and replaces all information previously supplied.

The ST logo is a registered trademark of STMicroelectronics. All other names are the property of their respective owners.

© 2009 STMicroelectronics - All rights reserved

STMicroelectronics group of companies

Australia - Belgium - Brazil - Canada - China - Czech Republic - Finland - France - Germany - Hong Kong - India - Israel - Italy - Japan - Malaysia - Malta - Morocco - Philippines - Singapore - Spain - Sweden - Switzerland - United Kingdom - United States of America

www.st.com

Компания «Океан Электроники» предлагает заключение долгосрочных отношений при поставках импортных электронных компонентов на взаимовыгодных условиях!

Наши преимущества:

- Поставка оригинальных импортных электронных компонентов напрямую с производств Америки, Европы и Азии, а так же с крупнейших складов мира;
- Широкая линейка поставок активных и пассивных импортных электронных компонентов (более 30 млн. наименований);
- Поставка сложных, дефицитных, либо снятых с производства позиций;
- Оперативные сроки поставки под заказ (от 5 рабочих дней);
- Экспресс доставка в любую точку России;
- Помощь Конструкторского Отдела и консультации квалифицированных инженеров;
- Техническая поддержка проекта, помощь в подборе аналогов, поставка прототипов;
- Поставка электронных компонентов под контролем ВП;
- Система менеджмента качества сертифицирована по Международному стандарту ISO 9001;
- При необходимости вся продукция военного и аэрокосмического назначения проходит испытания и сертификацию в лаборатории (по согласованию с заказчиком);
- Поставка специализированных компонентов военного и аэрокосмического уровня качества (Xilinx, Altera, Analog Devices, Intersil, Interpoint, Microsemi, Actel, Aeroflex, Peregrine, VPT, Syfer, Eurofarad, Texas Instruments, MS Kennedy, Miteq, Cobham, E2V, MA-COM, Hittite, Mini-Circuits, General Dynamics и др.);

Компания «Океан Электроники» является официальным дистрибьютором и эксклюзивным представителем в России одного из крупнейших производителей разъемов военного и аэрокосмического назначения «JONHON», а так же официальным дистрибьютором и эксклюзивным представителем в России производителя высокотехнологичных и надежных решений для передачи СВЧ сигналов «FORSTAR».



JONHON

«JONHON» (основан в 1970 г.)

Разъемы специального, военного и аэрокосмического назначения:

(Применяются в военной, авиационной, аэрокосмической, морской, железнодорожной, горно- и нефтедобывающей отраслях промышленности)

«FORSTAR» (основан в 1998 г.)

ВЧ соединители, коаксиальные кабели, кабельные сборки и микроволновые компоненты:

(Применяются в телекоммуникациях гражданского и специального назначения, в средствах связи, РЛС, а так же военной, авиационной и аэрокосмической отраслях промышленности).



Телефон: 8 (812) 309-75-97 (многоканальный)

Факс: 8 (812) 320-03-32

Электронная почта: ocean@oceanchips.ru

Web: <http://oceanchips.ru/>

Адрес: 198099, г. Санкт-Петербург, ул. Калинина, д. 2, корп. 4, лит. А