

Snubber FKP Capacitors for High Pulse Applications with Metal Foil Electrodes, Schoopage Contacts and Self-Healing Internal Series Connection

Special Features

- High pulse duty
- Self-healing
- Particularly reliable contact-configurations: 4-pin versions and screwable plate connections
- Internal series connection
- Very low dissipation factor
- Negative capacitance change versus temperature
- According to RoHS 2011/65/EU

Typical Applications

For high pulse and high frequency applications requiring extremely reliable contacts e.g.

- IGBT-applications

Construction

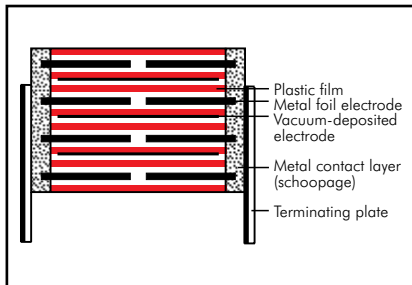
Dielectric:

Polypropylene (PP) film

Capacitor electrodes:

Aluminium foil and single-sided metallized plastic film

Internal construction:



Encapsulation:

Solvent-resistant, flame-retardant plastic case with epoxy resin seal, UL 94 V-0

Terminations:

Tinned wire or plates.

Marking:

Colour: Red. Marking: Black.
Epoxy resin seal: Red

Electrical Data

Capacitance range: 0.01 μF to 2.2 μF

Rated voltages:

630 VDC, 1000 VDC, 1600 VDC, 2000 VDC, 3000 VDC, 4000 VDC

Capacitance tolerances:

$\pm 20\%$, $\pm 10\%$, $\pm 5\%$ (other tolerances are available subject to special enquiry)

Operating temperature range:

-55°C to $+100^\circ\text{C}$

Insulation resistance at $+20^\circ\text{C}$:

$C \leq 0.33 \mu\text{F}$: $\geq 1 \times 10^5 \text{ M}\Omega$

(mean value: $5 \times 10^5 \text{ M}\Omega$)

$C > 0.33 \mu\text{F}$: $\geq 30\,000 \text{ sec} (\text{M}\Omega \times \mu\text{F})$

(mean value: 100 000 sec)

Measuring voltage: 100 V/1 min.

Test voltage: 2 sec

L	$\leq 2000 \text{ VDC}$	$\geq 3000 \text{ VDC}$
< 41.5	$1.6 U_r$	$1.2 U_r$
41.5	$1.4 U_r$	$1.2 U_r$
56	$1.2 U_r$	$1.2 U_r$

Climatic test category:

55/100/56 in accordance with IEC

Voltage derating:

A voltage derating factor of 1.35 % per K must be applied from $+85^\circ\text{C}$ for DC voltages and from $+75^\circ\text{C}$ for AC voltages

Reliability:

Operational life $> 300\,000$ hours

Failure rate $< 1 \text{ fit} (0.5 \times U_r \text{ and } 40^\circ\text{C})$

Specific dissipation:

Box size* WxHxL in mm	Specific dissipation in Watts per K above the ambient temperature
19x31x56	0.068
23x34x56	0.079
27x37.5x56	0.092
33x48x56	0.122
37x54x56	0.142

* other box sizes see page 11.

Dissipation factors at $+20^\circ\text{C}$: $\tan \delta$

at f	$C \leq 0.1 \mu\text{F}$	$0.1 \mu\text{F} < C \leq 1.0 \mu\text{F}$	$C > 1.0 \mu\text{F}$
1 kHz	$\leq 3 \times 10^{-4}$	$\leq 3 \times 10^{-4}$	$\leq 3 \times 10^{-4}$
10 kHz	$\leq 4 \times 10^{-4}$	$\leq 6 \times 10^{-4}$	-
100 kHz	$\leq 15 \times 10^{-4}$	-	-

Maximum pulse rise time:

Capacitance μF	max. pulse rise time V/ μsec at $T_A < 40^\circ\text{C}$					
	630 VDC	1000 VDC	1600 VDC	2000 VDC	3000 VDC	4000 VDC
0.01 ... 0.022	-	11000	11000	11000	11000	11000
0.033 ... 0.068	9000	9000	9000	9000	9000	9000
0.1 ... 0.22	9000	9000	9000	9000	9000	9000
0.33 ... 0.68	5000	5000	5000	5000	5000	5000
1.0 ... 2.2	1600	2000	-	-	-	-

for pulses equal to the rated voltage

Mounting Recommendation

Excessive mechanical strain, e.g. pressure or shock onto the capacitor body, is to be avoided during mounting and usage of the capacitors. When fixing the plates the screw torque is to be limited to max. 5 Nm.

For further details and graphs please refer to Technical Information.

Packing

Packing units at the end of the catalogue.

Packing quantities may vary depending on the plate version.

Continuation

General Data

Capacitance	630 VDC/400 VAC*				1000 VDC/600VAC*			
	W	H	L	Part number	W	H	L	Part number
0.022 "					7	16.5	26.5	SNFPO122205D_____
0.033 "					8.5	18.5	26.5	SNFPO123305F_____
0.047 "	7	16.5	26.5	SNFPJ024705D_____	10.5	20.5	26.5	SNFPO124705H_____
0.068 "	8.5	18.5	26.5	SNFPJ026805F_____	11	21	31.5	SNFPO126806B_____
0.1 µF	10.5	20.5	26.5	SNFPJ031005H_____	11	22	41.5	SNFPO131007B_____
0.15 "	11	21	26.5	SNFPJ031505I_____	15	26	41.5	SNFPO131507D_____
0.22 "	13	24	31.5	SNFPJ032206D_____	17	29	41.5	SNFPO132207E_____
0.33 "	15	26	31.5	SNFPJ033306F_____	19	32	41.5	SNFPO133307F_____
0.47 "	17	29	41.5	SNFPJ034707E_____	20	39.5	41.5	SNFPO134707G_____
0.68 "	19	32	41.5	SNFPJ036807F_____	24	45.5	41.5	SNFPO136807H_____
					23	34	56	SNFPO136808E_____
1.0 µF	20	39.5	41.5	SNFPJ041007G_____	31	46	41.5	SNFPO141007I_____
1.5 "	24	45.5	41.5	SNFPJ041507H_____	27	37.5	56	SNFPO141008H_____
2.2 "	27	37.5	56	SNFPJ042208H_____				

Capacitance	1600 VDC/650 VAC*				2000 VDC/700 VAC*			
	W	H	L	Part number	W	H	L	Part number
0.01 µF	7	16.5	26.5	SNFPT021005D_____	10.5	20.5	26.5	SNFPU021005H_____
0.015 "	8.5	18.5	26.5	SNFPT021505F_____	11	21	26.5	SNFPU021505I_____
0.022 "	10.5	20.5	26.5	SNFPT022205H_____	11	21	31.5	SNFPU022206B_____
					11	22	41.5	SNFPU022207B_____
0.033 "	11	21	31.5	SNFPT023306B_____	13	24	41.5	SNFPU023307C_____
0.047 "	11	22	41.5	SNFPT024707B_____	15	26	41.5	SNFPU024707D_____
0.068 "	15	26	41.5	SNFPT026807D_____	17	29	41.5	SNFPU026807E_____
0.1 µF	17	29	41.5	SNFPT031007E_____	17	29	41.5	SNFPU031007E_____
0.15 "	19	32	41.5	SNFPT031507F_____	20	39.5	41.5	SNFPU031507G_____
0.22 "	20	39.5	41.5	SNFPT032207G_____	24	45.5	41.5	SNFPU032207H_____
0.33 "	24	45.5	41.5	SNFPT033307H_____	31	46	41.5	SNFPU033307I_____
					27	37.5	56	SNFPU033308H_____
0.47 "	31	46	41.5	SNFPT034707I_____	27	37.5	56	SNFPU034708H_____
0.68 "	27	37.5	56	SNFPT034708H_____				

* AC voltage: $f \leq 1000 \text{ Hz}$; $1.4 \times U_{\text{rms}} + U_{\text{DC}} \leq U_r$

Dims. in mm.

Ionisation inception level in isolated cases may be lower than admissible rated AC voltage.

Versions and dimensional drawings see page 105.

Part number completion:

Version codes see page 108.

Tolerance: 20 % = M

10 % = K

5 % = J

Packing: bulk = S

Pin length: 6-2 = SD

none = 00 (for plate versions)

Rights reserved to amend design data without prior notification.

Continuation page 104

Continuation

General Data

Capacitance	3000 VDC/700 VAC*				4000 VDC/700 VAC*			
	W	H	L	Part number	W	H	L	Part number
0.01 μF	11	21	26.5	SNFPW021005I_____	11	21	31.5	SNFPX021006B_____
0.015 "	11	21	31.5	SNFPW021506B_____	11	22	41.5	SNFPX021507B_____
0.022 "	13	24	31.5	SNFPW022206D_____	13	24	41.5	SNFPX022207C_____
0.033 "	13	24	41.5	SNFPW023307C_____	15	26	41.5	SNFPX023307D_____
0.047 "	15	26	41.5	SNFPW024707D_____	17	29	41.5	SNFPX024707E_____
0.068 "	17	29	41.5	SNFPW026807E_____	19	32	41.5	SNFPX026807F_____
0.1 μF	19	32	41.5	SNFPW031007F_____	20	39.5	41.5	SNFPX031007G_____
0.15 "	20	39.5	41.5	SNFPW031507G_____	24	45.5	41.5	SNFPX031507H_____
0.22 "	24	45.5	41.5	SNFPW032207H_____	31	46	41.5	SNFPX032207I_____
0.33 "	31	46	41.5	SNFPW033307I_____	27	37.5	56	SNFPX032208H_____
	27	37.5	56	SNFPW033308H_____	33	48	56	SNFPX033308J_____
0.47 "	33	48	56	SNFPW034708J_____				

* AC voltage: $f \leq 1000 \text{ Hz}$; $1.4 \times U_{\text{rms}} + \text{UDC} \leq U_r$

Dims. in mm.

Ionisation inception level in isolated cases may be lower than admissible rated AC voltage.

Versions and dimensional drawings see page 105.

Part number completion:

Version codes see page 108.

Tolerance: 20 % = M

10 % = K

5 % = J

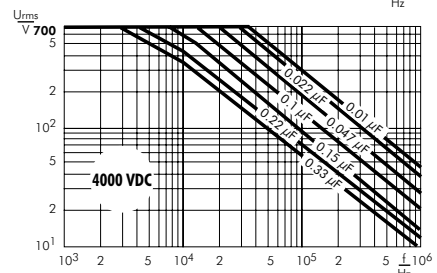
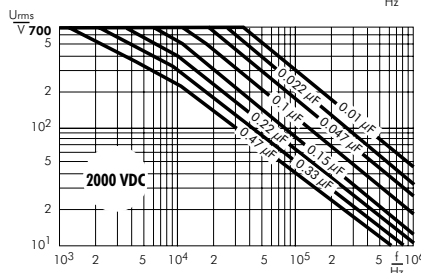
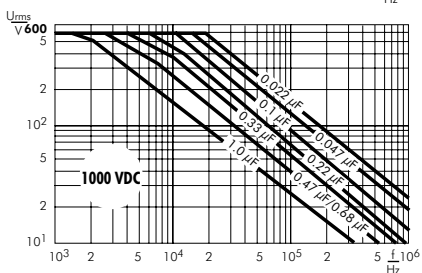
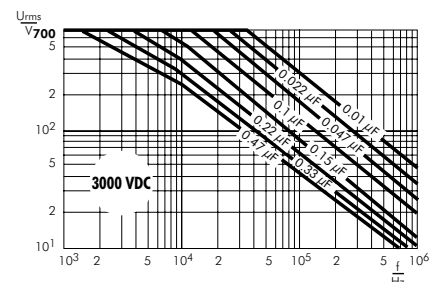
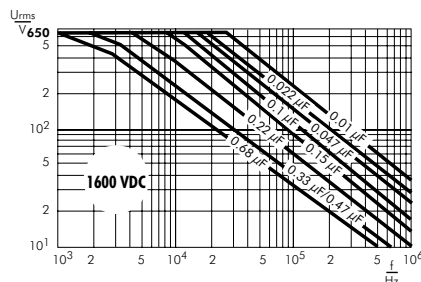
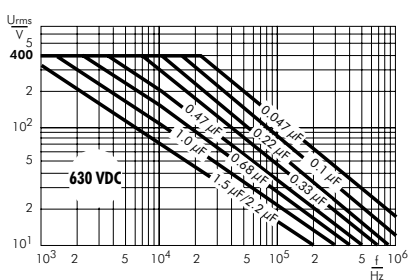
Packing: bulk = S

Pin length: 6-2 = SD

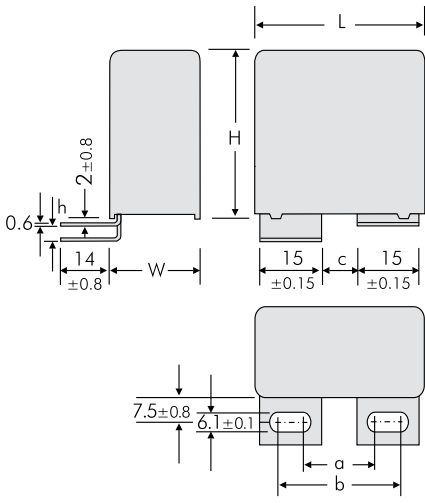
none = 00 (for plate versions)

Rights reserved to amend design data without prior notification.

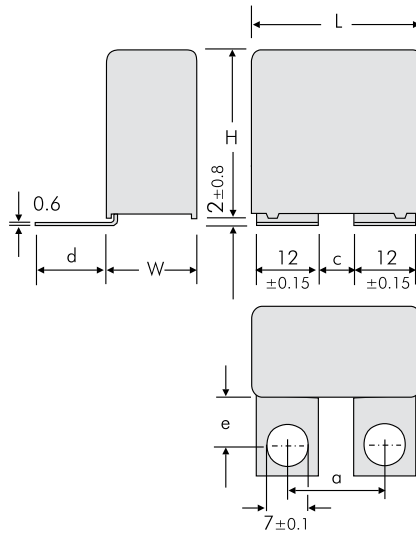
Permissible AC voltage in relation to frequency at 10° C internal temperature rise (general guide).



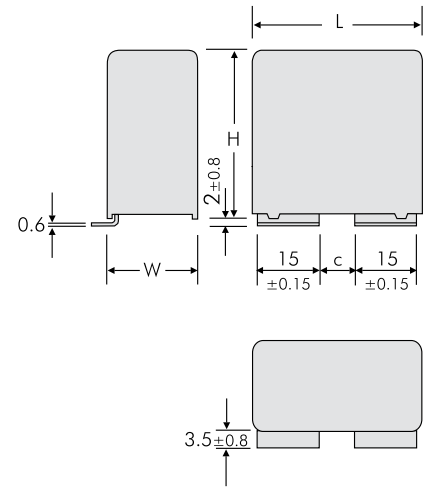
Versions of WIMA Snubber Capacitors



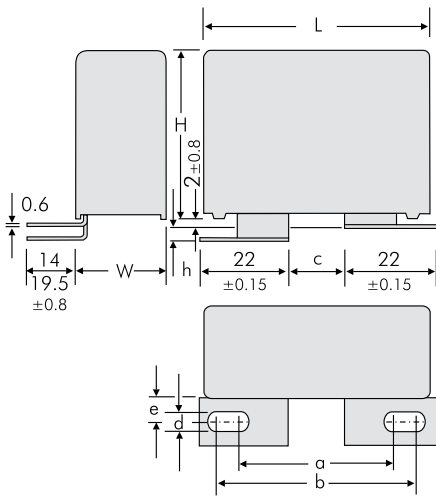
Version	L	a ±0.5	b ±0.5	c ±0.5	h ±0.8
A1	41.5	17.5	27.5	7.5	0
A1.5	41.5	17.5	27.5	7.5	3.5
A1	56	20	30	10	0
A1.1.1	56	28	38	18	0
A1.4	56	20	30	10	3.5
A1.4.1	56	28	38	18	3.5



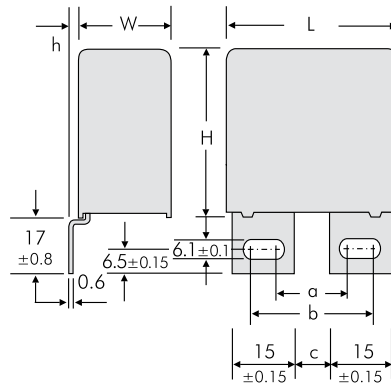
Version	L	a ±0.5	c ±0.5	d ±0.8	e ±0.8
A1.6	41.5	18	6	21.5	16
A1.6.1	41.5	22	10	18.5	13
A1.6	56	29	17	21.5	16



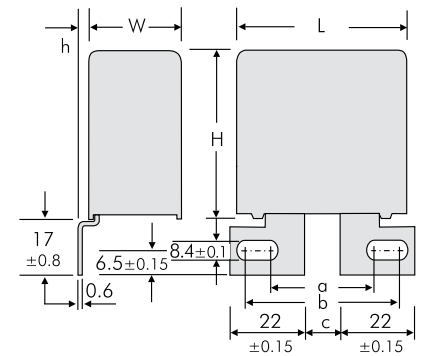
Version	L	c ±0.5
A1.7	41.5	7.5
A1.7	56	10
A1.7.1	56	18



Version	L	a ±0.5	b ±0.5	c ±0.5	d ±0.1	e ±0.8	h ±0.8
A2	41.5	40.5	46.5	14.5	8.4	7.5	0
A2.2	41.5	31	37	5	8.4	7.5	3.5
A2.3	41.5	31	37	5	8.4	13	3.5
A2.4	41.5	33.5	39.5	7.5	8.4	13	3.5
A2.4.1	41.5	33.5	39.5	7.5	8.4	13	0
A2.5	41.5	29.5	39.5	5.5	6.1	7.5	3.5
A2.6	41.5	31.5	41.5	7.5	6.1	13	3.5
A2.6.1	41.5	31.5	41.5	14	6.1	13	3.5
A2.6.2	41.5	31.5	41.5	14	6.1	13	0
A2.8	41.5	40.5	46.5	14.5	8.4	7.5	3.5
A2.1	56	39.5	45.5	13.5	8.4	7.5	0
A2.1.1	56	36	45.5	13.5	8.4	7.5	0
A2.7	56	39.5	45.5	13.5	8.4	7.5	3.5

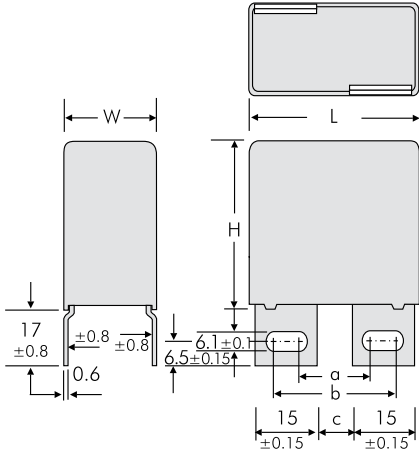


Version	L	a ±0.5	b ±0.5	c ±0.5	h ±0.8
A3	41.5	17.5	27.5	7.5	0
A3.5	41.5	17.5	27.5	7.5	3
A3	56	20	30	10	0
A3.1	56	28	38	18	0
A3.5	56	20	30	10	3
A3.10	56	28	38	18	3

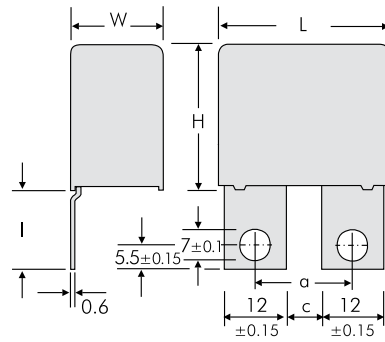


Version	L	a ±0.5	b ±0.5	c ±0.5	h ±0.8
A3.9	41.5	40.5	46.5	14.5	0
A3.11	41.5	40.5	46.5	14.5	3
A3.2	56	40.5	46.5	14.5	0
A3.3	56	40.5	46.5	14.5	3

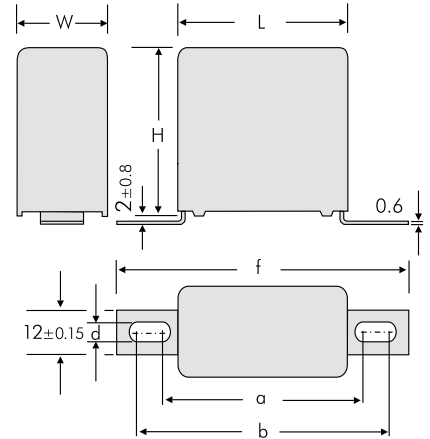
Versions of WIMA Snubber Capacitors



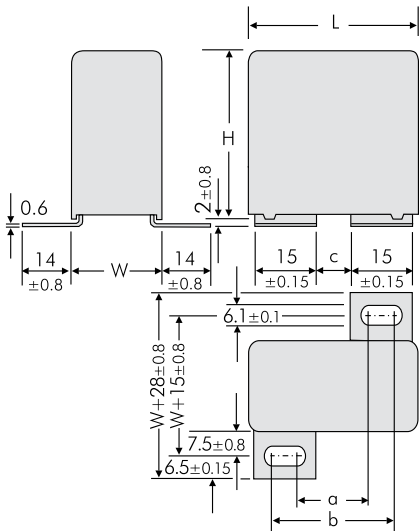
Version	L	a ±0.5	b ±0.5	c ±0.5
A3.6	41.5	17.5	27.5	7.5
A3.7	56	20	30	10



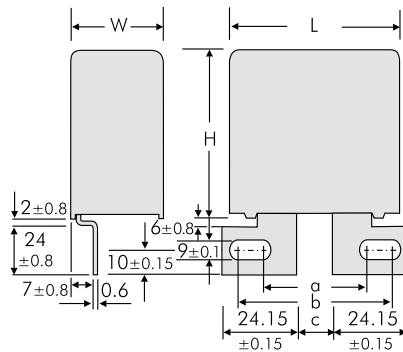
Version	L	a ±0.5	c ±0.5	l ±0.8
A3.8	41.5 W ≥ 17	18	6	23
A3.8.1	41.5 W ≥ 17	22	10	17.5



Version	L	a ±0.8	b ±0.8	f ±0.8	d ±0.1
A4.9	31.5 W ≥ 15	44	47	57	4.5
A4.10	31.5 W ≥ 15	43	59	69	6.1
A4.2	41.5 W ≥ 15	54	57	67	4.5
A4	41.5 W ≥ 15	53	69	79	6.1
A4.7	56	65	68	78	4.5
A4	56	64	80	90	6.1



Version	L	a ±0.5	b ±0.5	c ±0.5
A5	41.5	17.5	27.5	7.5
A5	56	20	30	10

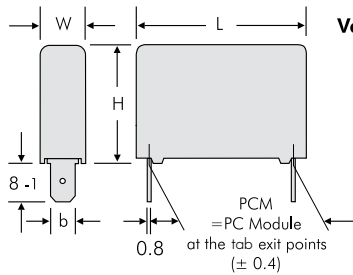


Version	L	a ±0.5	b ±0.5	c ±0.5
A6	56 W ≥ 23	41.5	45.5	15.5

Versions of WIMA Snubber Capacitors

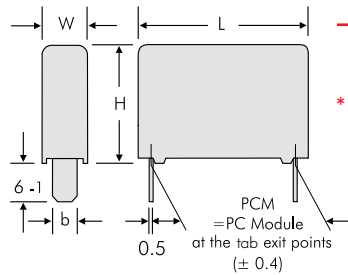


Version FS 6.3
with slip-on terminals according to DIN 46244



L	W	PCM	b ±0.15
26.5	≥ 11	23.5	6.3
31.5	≥ 11	28.5	6.3
41.5	≥ 11	38.5	6.3
56	≥ 11	49.5	6.3

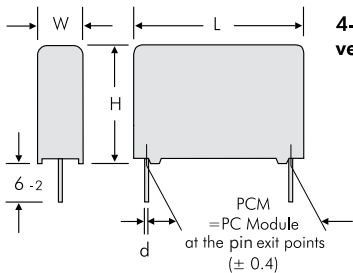
Version B*



L	PCM	b ±0.15
18	16	5
26.5	23.5	5
31.5	28.5	8
41.5	38.5	8
56	49.5	8

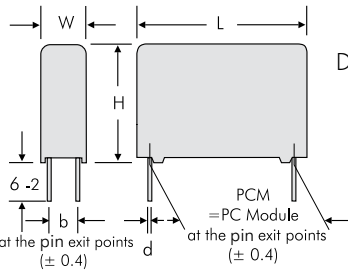
* Processing notification:
Processing should be done within 3 months after manufacturing.

2-pin version



PCM	d
15	0.8
22.5	0.8
27.5	0.8
38.5	1.2
49.5	1.2

4-pin version



W	H	L	PCM	b	d
10.5	19	26.5	22.5	5	0.8
10.5	20.5	26.5	22.5	5	0.8
11	21	26.5	22.5	5	0.8
11	21	31.5	27.5	5	0.8
13	24	31.5	27.5	7.5	0.8
15	26	31.5	27.5	7.5	0.8
17	29	31.5	27.5	10	0.8
17	34.5	31.5	27.5	10	0.8
20	39.5	31.5	27.5	12.5	0.8
22	43.5	31.5	27.5	12.5	0.8
11	22	41.5	37.5	5	1
13	24	41.5	37.5	7.5	1
15	26	41.5	37.5	7.5	1
17	29	41.5	37.5	10	1
19	32	41.5	37.5	10	1
20	39.5	41.5	37.5	12.5	1
24	45.5	41.5	37.5	12.5	1
31	46	41.5	37.5	20	1
19	31	56	48.5	12.5	1
23	34	56	48.5	15	1
27	37.5	56	48.5	15	1
33	48	56	48.5	20	1
37	54	56	48.5	20	1

Dims. in mm.

Additional special versions can be realized. Please contact us with your specific needs.

Versions of WIMA Snubber Capacitors



Version code		D2	D4	B5*	B8*	1A	1B	1F	1G	1H	1I	1J	1K	1L	2A	2B	2C	2D	2E	2F	2H	2I	2J	2K	2L	2M	3A	3C	3D	3E	3G	3I	3J	3K	3L	3N	3O	3P				
W x H x L	Size code	2-pin	4-pin	B5	B8	A1	A1.1.1	A1.4	A1.4.1	A1.5	A1.6	A1.6.1	A1.7	A1.7.1	A2	A2.1	A2.1.1	A2.2	A2.3	A2.4	A2.4.1	A2.5	A2.6	A2.6.1	A2.6.2	A2.7	A2.8	A3	A3.1	A3.2	A3.3	A3.5	A3.6	A3.7	A3.8	A3.8.1	A3.9	A3.10	A3.11			
7 x 14 x 18	4D																																									
8 x 15 x 18	4F																																									
7 x 16.5 x 26.5	5D																																									
8.5 x 18.5 x 26.5	5F																																									
10.5 x 19 x 26.5	5G																																									
10.5 x 20.5 x 26.5	5H																																									
11 x 21 x 26.5	5I																																									
11 x 21 x 31.5	6B																																									
13 x 24 x 31.5	6D																																									
15 x 26 x 31.5	6F																																									
17 x 29 x 31.5	6G																																									
17 x 34.5 x 31.5	6I																																									
11 x 22 x 41.5	7B																																									
13 x 24 x 41.5	7C																																									
15 x 26 x 41.5	7D																																									
17 x 29 x 41.5	7E																																									
19 x 32 x 41.5	7F																																									
20 x 39.5 x 41.5	7G																																									
24 x 45.5 x 41.5	7H																																									
31 x 46 x 41.5	7I																																									
35 x 50 x 41.5	7J																																									
40 x 55 x 41.5	7K																																									
19 x 31 x 56	8D																																									
23 x 34 x 56	8E																																									
27 x 37.5 x 56	8H																																									
33 x 48 x 56	8J																																									
37 x 54 x 56	8L																																									

Version code		4A	4C	4J	4L	4M	5A	6A	FS
W x H x L	Size code	A4	A4.2	A4.7	A4.9	A4.10	A5	A6	FS 6.3
11 x 21 x 26.5	5I								
11 x 21 x 31.5	6B								
13 x 24 x 31.5	6D								
15 x 26 x 31.5	6F								
17 x 29 x 31.5	6G								
17 x 34.5 x 31.5	6I								
11 x 22 x 41.5	7B								
13 x 24 x 41.5	7C								
15 x 26 x 41.5	7D								
17 x 29 x 41.5	7E								
19 x 32 x 41.5	7F								
20 x 39.5 x 41.5	7G								
24 x 45.5 x 41.5	7H								
31 x 46 x 41.5	7I								
19 x 31 x 56	8D								
23 x 34 x 56	8E								
27 x 37.5 x 56	8H								
33 x 48 x 56	8J								
37 x 54 x 56	8L								

Possible connecting respective plate versions - depending on box size.

* Processing notification:
Processing should be done within 3 month after manufacturing.

Recommendation for Processing and Application of Through-Hole Capacitors

Soldering Process

Internal temperature of the capacitor must be kept as follows:

Polyester: preheating: $T_{max.} \leq 125^{\circ}C$
soldering: $T_{max.} \leq 135^{\circ}C$

Polypropylene: preheating: $T_{max.} \leq 100^{\circ}C$
soldering: $T_{max.} \leq 110^{\circ}C$

Single wave soldering

Soldering bath temperature: $T < 260^{\circ}C$

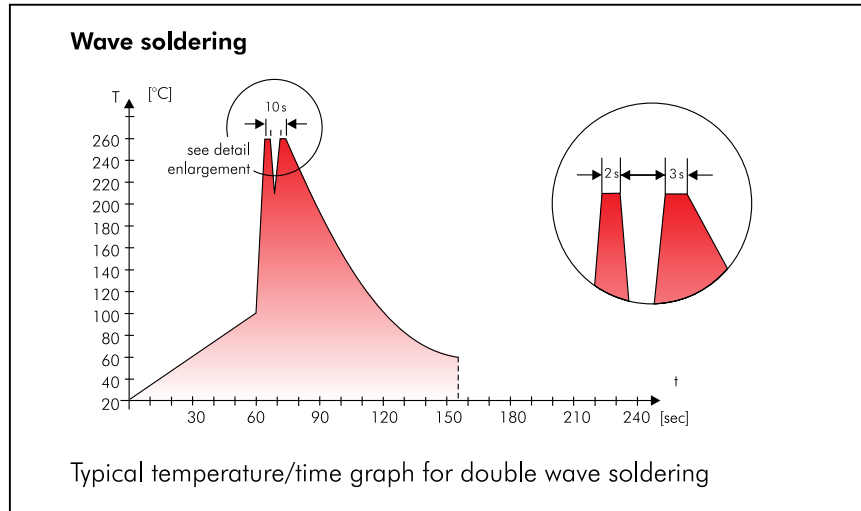
Dwell time: $t < 5 \text{ sec}$

Double wave soldering

Soldering bath temperature: $T < 260^{\circ}C$

Dwell time: $\Sigma t < 5 \text{ sec}$

Due to different soldering processes and heat requirements the graphs are to be regarded as a recommendation only.



WIMA Quality and Environmental Philosophy

ISO 9001:2008 Certification

ISO 9001:2008 is an international basic standard of quality assurance systems for all branches of industry. The approval according to ISO 9001:2008 of our factories by the VDE inspectorate certifies that organisation, equipment and monitoring of quality assurance in our factories correspond to internationally recognized standards.

WIMA WPCS

The WIMA Process Control System (WPCS) is a quality surveillance and optimization system developed by WIMA. WPCS is a major part of the quality-oriented WIMA production. Points of application of WPCS during production process:

- incoming material inspection
- metallization
- film inspection
- schoopage
- pre-healing
- pin attachment
- cast resin preparation/encapsulation
- 100% final inspection
- Testing as per customer requirements

WIMA Environmental Policy

All WIMA capacitors, irrespective of whether through-hole devices or SMD, are made of environmentally friendly materials. Neither during manufacture nor in the product itself any toxic substances are used, e.g.

- Lead
- PCB
- CFC
- Hydrocarbon chloride
- Chromium 6+
- PBB/PBDE
- Arsenic
- Cadmium
- Mercury
- etc.

We merely use pure, recyclable materials for packing our components, such as:

- carton
- cardboard
- adhesive tape made of paper
- polystyrene

We almost completely refrain from using packing materials such as:

- foamed polystyrene (Styropor®)
- adhesive tapes made of plastic
- metal clips

RoHS Compliance

According to the RoHS Directive 2011/65/EU certain hazardous substances like e.g. lead, cadmium, mercury must not be used any longer in electronic equipment as of July 1st, 2006. For the sake of the environment WIMA has refrained from using such substances since years already.



WIMA Kondensatoren sind bleifrei konform RoHS 2011/65/EU

WIMA capacitors are lead free in accordance with RoHS 2011/65/EU

Tape for lead-free WIMA capacitors

DIN EN ISO 14001:2004

WIMA's environmental management has been established in accordance with the guidelines of DIN EN ISO 14001:2004 to optimize the production processes with regard to energy and resources.

Typical Dimensions for Taping Configuration

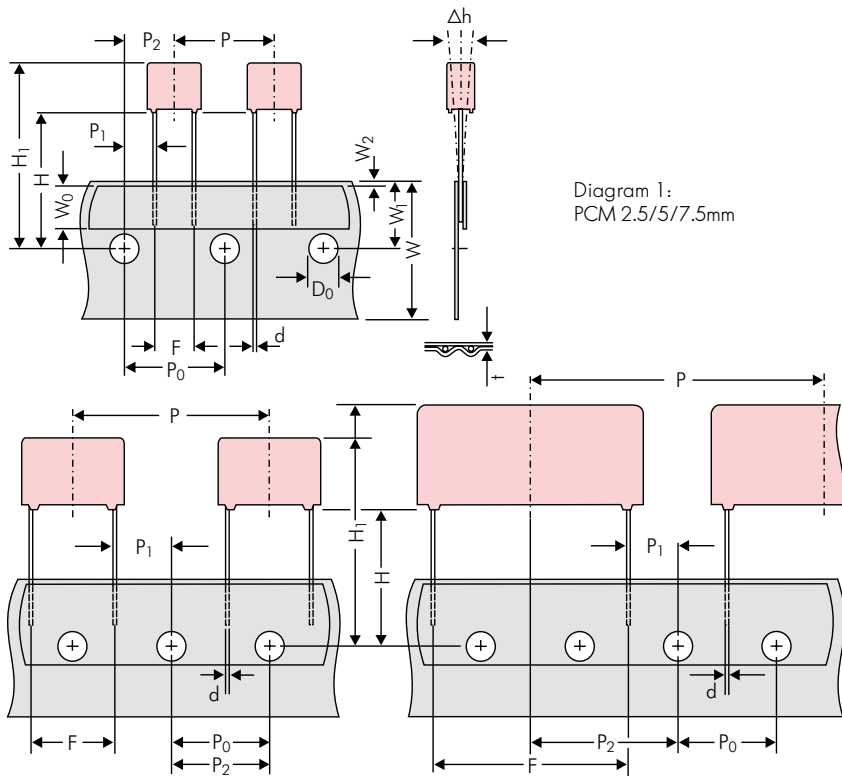


Diagram 2: PCM 10/15 mm

Diagram 3: PCM 22.5 and 27.5*mm

*PCM 27.5 tapping possible with two feed holes between components

Designation	Symbol	Dimensions for Radial Taping										
		PCM 2.5 tapping	PCM 5 tapping	PCM 7.5 tapping	PCM 10 tapping*	PCM 15 tapping*	PCM 22.5 tapping	PCM 27.5 tapping				
Carrier tape width	W	18.0 ±0.5	18.0 ±0.5	18.0 ±0.5	18.0 ±0.5	18.0 ±0.5	18.0 ±0.5	18.0 ±0.5				
Hold-down tape width	W ₀	6.0 for hot-sealing adhesive tape	6.0 for hot-sealing adhesive tape	12.0 for hot-sealing adhesive tape	12.0 for hot-sealing adhesive tape	12.0 for hot-sealing adhesive tape	12.0 for hot-sealing adhesive tape	12.0 for hot-sealing adhesive tape				
Hole position	W ₁	9.0 ±0.5	9.0 ±0.5	9.0 ±0.5	9.0 ±0.5	9.0 ±0.5	9.0 ±0.5	9.0 ±0.5				
Hold-down tape position	W ₂	0.5 to 3.0 max.	0.5 to 3.0 max.	0.5 to 3.0 max.	0.5 to 3.0 max.	0.5 to 3.0 max.	0.5 to 3.0 max.	0.5 to 3.0 max.				
Feed hole diameter	D ₀	4.0 ±0.2	4.0 ±0.2	4.0 ±0.2	4.0 ±0.2	4.0 ±0.2	4.0 ±0.2	4.0 ±0.2				
Pitch of component	P	12.7 ±1.0	12.7 ±1.0	12.7 ±1.0	25.4 ±1.0	25.4 ±1.0	38.1 ±1.5	38.1 ±1.5 or 50.8 ±1.5				
Feed hole pitch	P ₀	12.7 ±0.3 cumulative pitch error max. 1.0 mm/20 pitch	12.7 ±0.3 cumulative pitch error max. 1.0 mm/20 pitch	12.7 ±0.3 cumulative pitch error max. 1.0 mm/20 pitch	12.7 ±0.3 cumulative pitch error max. 1.0 mm/20 pitch	12.7 ±0.3 cumulative pitch error max. 1.0 mm/20 pitch	12.7 ±0.3 cumulative pitch error max. 1.0 mm/20 pitch	12.7 ±0.3 cumulative pitch error max. 1.0 mm/20 pitch				
Feed hole centre to pin	P ₁	5.1 ±0.5	3.85 ±0.7	2.6 ±0.7	7.7 ±0.7	5.2 ±0.7	7.8 ±0.7	5.3 ±0.7				
Hole centre to component centre	P ₂	6.35 ±1.3	6.35 ±1.3	6.35 ±1.3	12.7 ±1.3	12.7 ±1.3	19.05 ±1.3	19.05 ±1.3				
Feed hole centre to bottom edge of the component	H	16.5 ±0.3	16.5 ±0.3	16.5 ±0.5	16.5 ±0.5	16.5 ±0.5	16.5 ±0.5	16.5 ±0.5				
Feed hole centre to top edge of the component	H ₁	H+H _{component} < H ₁ 32.25 max.	H+H _{component} < H ₁ 32.25 max.	H+H _{component} < H ₁ 24.5 to 31.5	H+H _{component} < H ₁ 25.0 to 31.5	H+H _{component} < H ₁ 26.0 to 37.0	H+H _{component} < H ₁ 30.0 to 43.0	H+H _{component} < H ₁ 35.0 to 45.0				
Pin spacing at upper edge of carrier tape	F	2.5 ±0.5	5.0 ^{+0.8} _{-0.2}	7.5 ±0.8	10.0 ±0.8	15 ±0.8	22.5 ±0.8	27.5 ±0.8				
Pin diameter	d	0.4 ±0.05	0.5 ±0.05	0.5 ±0.05 or 0.6 ^{+0.06} _{-0.05}	0.5 ±0.05 or 0.6 ^{+0.06} _{-0.05}	0.8 ^{+0.08} _{-0.05}	0.8 ^{+0.08} _{-0.05}	0.8 ^{+0.08} _{-0.05}				
Component alignment	Δh	± 2.0 max.	± 2.0 max.	± 3.0 max.	± 3.0 max.	± 3.0 max.	± 3.0 max.	± 3.0 max.				
Total tape thickness	t	0.7 ±0.2	0.7 ±0.2	0.7 ±0.2	0.7 ±0.2	0.7 ±0.2	0.7 ±0.2	0.7 ±0.2				
Package (see also page 141)	ROLL/AMMO			AMMO								
	REEL	φ 360 max. φ 30 ±1	B 52 ±2 58 ±2	depending on comp. dimensions		REEL	φ 360 max. φ 30 ±1	52 ±2 58 ±2 or 66 ±2	REEL	φ 500 max. φ 25 ±1	54 ±2 60 ±2 68 ±2	depending on PCM and component dimensions
Unit	see details page 142.											

Dims in mm.

* Diameter of pins see General Data.

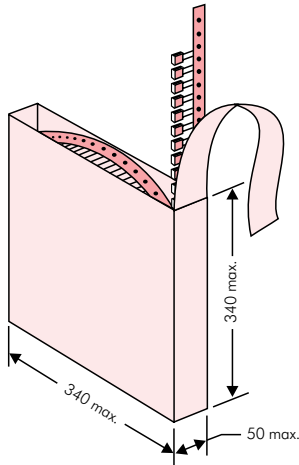
* PCM 10 and PCM 15 can be crimped to PCM 7.5.

Position of components according to PCM 7.5 (sketch 11). P₀ = 12.7 or 15.0 is possible

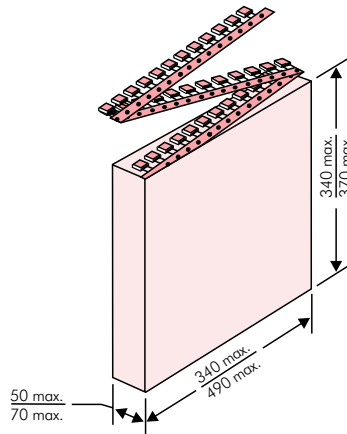
Please clarify customer-specific deviations with the manufacturer.

Types of Tape Packaging of Capacitors for Automatic Radial Insertion

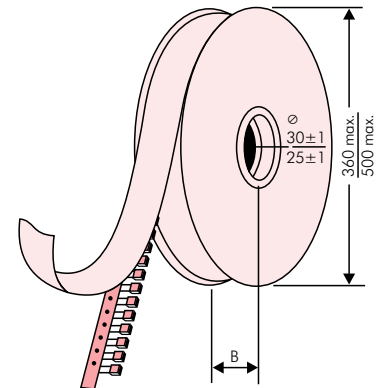
■ ROLL Packaging



■ AMMO Packaging



■ REEL Packaging



BAR CODE (Labelling)

Labelling of package units in plain text and with alphanumerical Bar Code

Scanner decoding of

- WIMA supplier number
- Customer's P/O number
- Customer's part number
- WIMA confirmation number
- WIMA part number
- Lot number
- Date code
- Quantity

In addition part description of

- article
- capacitance value
- rated voltage
- dimensions
- capacitance tolerance
- packing

as well as gross weight and customer's name are indicated in plain text.

WIMA Best Capacitors Made in Germany		Werk Unna	
Supplier-ID: 123456789	RoHS 2011/65/EU	Date Code: 08.10.10	
Purchase Order No. (P/O): Bestellung xyz		Quantity: 5.000	
Customer Part No.: KUNDETEILENUMMER		Customer No.: 0000100002	
		Gross Weight [g]: 1870	
WIMA Confirmation No.: 0001004053000100		WIMA Part No.: MKS2C034701C00K88D	
Handling Unit:	MKS 2	QTY: 5.000	COO: DE
	MKS 2 0.47 µF 63 VDC 3.5x8.5x7.2 RMS		
1000067326	Standard 10% Loss - Standard	Drhte 6-2	Week 03/2011
	Vorlage Debitor Inland		

BARCODE „Code 39“



Packing Quantities for Capacitors with Radial Pins in PCM 2.5 mm to 22.5 mm

PCM	Size				bulk	pcs. per packing unit								
						ROLL		REEL				AMMO		
	W	H	L	Codes		S	H16.5	H18.5	ø 360	ø 500	340 × 340	490 × 370		
					N	O	F	I	H	J	A	C	B	D
2.5 mm	2.5	7	4.6	0B	5000		2200	2500			2800			
	3	7.5	4.6	0C	5000		2000	2300			2300			
	3.8	8.5	4.6	0D	5000		1500	1800			1800			
	4.6	9	4.6	0E	5000		1200	1500			1500			
	5.5	10	4.6	0F	5000		900	1200			1200			
5 mm	2.5	6.5	7.2	1A	5000		2200	2500			2800			
	3	7.5	7.2	1B	5000		2000	2300			2300			
	3.5	8.5	7.2	1C	5000		1600	2000			2000			
	4.5	6	7.2	1D	6000		1300	1500			1500			
	4.5	9.5	7.2	1E	4000		1300	1500			1500			
	5	10	7.2	1F	3500		1100	1400			1400			
	5.5	7	7.2	1G	4000		1000	1200			1200			
	5.5	11.5	7.2	1H	2500		1000	1200			1200			
	6.5	8	7.2	1I	2500		800	1000			1000			
	7.2	8.5	7.2	1J	2500		700	1000			1000			
	7.2	13	7.2	1K	2000		700	950			1000			
	8.5	10	7.2	1L	2000		600	800			800			
	8.5	14	7.2	1M	1500		600	800			800			
11	16	7.2	1N	1000		500	600			400				
7.5 mm	2.5	7	10	2A	5000			2500	4400		2500			
	3	8.5	10	2B	5000			2200	4300		2300		4150	
	4	9	10	2C	4000			1700	3200		1700		3100	
	4.5	9.5	10.3	2D	3500			1500	2900		1400		2800	
	5	10.5	10.3	2E	3000			1300	2500		1300			
	5.7	12.5	10.3	2F	2000			1000	2200		1100			
	7.2	12.5	10.3	2G	1500			900	1800		1000			
10 mm	3	9	13	3A	3000			1100	2200				1900	
	4	8.5	13.5	FA	3000			900	1600				1450	
	4	9	13	3C	3000			900	1600				1450	
	4	9.5	13	3D	3000			900	1600				1400	
	5	10	13.5	FB	2000			700	1300				1200	
	5	11	13	3F	3000			700	1300				1200	
	6	12	13	3G	2400			550	1100				1000	
	6	12.5	13	3H	2400			550	1100				1000	
8	12	13	3I	2000			400	800				740		
15 mm	5	11	18	4B	2400			600	1200				1150	
	5	13	19	FC	1000			600	1200				1200	
	6	12.5	18	4C	2000			500	1000				1000	
	6	14	19	FD	1000			500	1000				1000	
	7	14	18	4D	1600			450	900				850	
	7	15	19	FE	1000			450	900				850	
	8	15	18	4F	1200			400	800				740	
	8	17	19	FF	500			400	800				740	
	9	14	18	4H	1200			350	700				650	
	9	16	18	4J	900			350	700				650	
	10	18	19	FG	500			300	650				590	
11	14	18	4M	1000			300	600				540		
22.5 mm	5	14	26.5	5A	1200				800				770	
	6	15	26.5	5B	1000				700				640	
	7	16.5	26.5	5D	760				600				550	
	8	20	28	FH	500				500				480	
	8.5	18.5	26.5	5F	500				480				450	
	10	22	28	FI	540*				420				380	
	10.5	19	26.5	5G	680*				400				360	
	10.5	20.5	26.5	5H	680*				400				360	
	11	21	26.5	5I	680*				380				350	
	12	24	28	FJ	450*				350				310	

* TPS (Tray-Packing-System). Plate versions may have different packing units. Samples and pre-production needs on request.

■ Moulded versions.

Rights reserved to amend design data without prior notification.



Packing Quantities for Capacitors with Radial Pins in PCM 27.5 mm to 52.5 mm

PCM	Size				bulk	pcs. per packing unit											
						ROLL		REEL				AMMO					
	W	H	L	Codes		S	N	O	ø 360		ø 500		340 × 340		490 × 370		
								H16.5	H18.5	H16.5	H18.5	H16.5	H18.5	H16.5	H18.5	H16.5	H18.5
								F	I	H	J	A	C	B	D		
27.5 mm	9	19	31.5	6A	640*	–	–	–	–	460/340*	–	–	–	–	420		
	11	21	31.5	6B	544*	–	–	–	–	380/280*	–	–	–	–	350		
	13	24	31.5	6D	448*	–	–	–	–	300	–	–	–	–	290		
	13	25	33	FK	336*	–	–	–	–	–	–	–	–	–	–		
	15	26	31.5	6F	288*	–	–	–	–	270	–	–	–	–	250		
	15	26	33	FL	288*	–	–	–	–	–	–	–	–	–	–		
	17	29	31.5	6G	176*	–	–	–	–	–	–	–	–	–	–		
	17	34.5	31.5	6I	176*	–	–	–	–	–	–	–	–	–	–		
	20	32	33	FM	216*	–	–	–	–	–	–	–	–	–	–		
	20	39.5	31.5	6J	144*	–	–	–	–	–	–	–	–	–	–		
37.5 mm	9	19	41.5	7A	480*	–	–	–	–	–	–	–	–	–	–		
	11	22	41.5	7B	408*	–	–	–	–	–	–	–	–	–	–		
	13	24	41.5	7C	252*	–	–	–	–	–	–	–	–	–	–		
	15	26	41.5	7D	144*	–	–	–	–	–	–	–	–	–	–		
	17	29	41.5	7E	132*	–	–	–	–	–	–	–	–	–	–		
	19	32	41.5	7F	108*	–	–	–	–	–	–	–	–	–	–		
	20	39.5	41.5	7G	108*	–	–	–	–	–	–	–	–	–	–		
	24	45.5	41.5	7H	84*	–	–	–	–	–	–	–	–	–	–		
	27	15	41.5	7M	100*	–	–	–	–	–	–	–	–	–	–		
	31	46	41.5	7I	72*	–	–	–	–	–	–	–	–	–	–		
	35	50	41.5	7J	35*	–	–	–	–	–	–	–	–	–	–		
	40	55	41.5	7K	28*	–	–	–	–	–	–	–	–	–	–		
48.5 mm	19	31	56	8D	50*	–	–	–	–	–	–	–	–	–	–		
	23	34	56	8E	72*	–	–	–	–	–	–	–	–	–	–		
	27	37.5	56	8H	60*	–	–	–	–	–	–	–	–	–	–		
	33	48	56	8J	48*	–	–	–	–	–	–	–	–	–	–		
	37	54	56	8L	25*	–	–	–	–	–	–	–	–	–	–		
52.5 mm	35	50	57	9F	25*	–	–	–	–	–	–	–	–	–	–		
	45	55	57	9H	20*	–	–	–	–	–	–	–	–	–	–		
	45	65	57	9J	20*	–	–	–	–	–	–	–	–	–	–		

* for 2-inch transport pitches.

* TPS (Tray-Packing-System). Plate versions may have different packing units. Samples and pre-production needs on request.

■ Moulded versions.

Rights reserved to amend design data without prior notification.

Updated data on www.wima.com



WIMA Part Number System

A WIMA part number consists of 18 digits and is composed as follows:

- Field 1 - 4: Type description
- Field 5 - 6: Rated voltage
- Field 7 - 10: Capacitance
- Field 11 - 12: Size and PCM
- Field 13 - 14: Version code (e.g. Snubber versions)
- Field 15: Capacitance tolerance
- Field 16: Packing
- Field 17 - 18: Pin length (untaped)

1	2	3	4	5	6	7	8	9	10	11	12	13	14	15	16	17	18
M	K	S	2	C	0	2	1	0	0	1	A	0	0	M	S	S	D
MKS 2				63 VDC		0.01 µF			2.5x6.5x7.2		-		20%	bulk	6-2		

<p>Type description:</p> <p>SMD-PET = SMDT SMD-PEN = SMDN SMD-PPS = SMDI FKP 02 = FKPO MKS 02 = MKSO FKS 2 = FKS2 FKP 2 = FKP2 MKS 2 = MKS2 MKP 2 = MKP2 FKS 3 = FKS3 FKP 3 = FKP3 MKS 4 = MKS4 MKP 4 = MKP4 MKP 10 = MKP1 FKP 4 = FKP4 FKP 1 = FKP1 MKP-X2 = MKX2 MKP-X2 R = MKXR MKP-X1 R = MKX1 MKP-Y2 = MKY2 MP 3-X2 = MPX2 MP 3-X1 = MPX1 MP 3-Y2 = MPY2 MP 3R-Y2 = MPRY Snubber MKP = SNMP Snubber FKP = SNFP GTO MKP = GTOM DC-LINK MKP 3 = DCP3 DC-LINK MKP 4 = DCP4 DC-LINK MKP 4S = DCP4S DC-LINK MKP 5 = DCP5 DC-LINK MKP 6 = DCP6 DC-LINK HC = DCHC DC-LINK HY = DCHY</p>	<p>Rated voltage:</p> <p>50 VDC = B0 63 VDC = C0 100 VDC = D0 250 VDC = F0 400 VDC = G0 450 VDC = H0 600 VDC = I0 630 VDC = J0 700 VDC = K0 800 VDC = L0 850 VDC = M0 900 VDC = N0 1000 VDC = O1 1100 VDC = P0 1200 VDC = Q0 1250 VDC = R0 1500 VDC = S0 1600 VDC = T0 2000 VDC = U0 2500 VDC = V0 3000 VDC = W0 4000 VDC = X0 6000 VDC = Y0 250 VAC = 0W 275 VAC = 1W 300 VAC = 2W 305 VAC = AW 400 VAC = 3W 440 VAC = 4W 500 VAC = 5W ...</p>	<p>Capacitance:</p> <p>22 pF = 0022 47 pF = 0047 100 pF = 0100 150 pF = 0150 220 pF = 0220 330 pF = 0330 470 pF = 0470 680 pF = 0680 1000 pF = 1100 1500 pF = 1150 2200 pF = 1220 3300 pF = 1330 4700 pF = 1470 6800 pF = 1680 0.01 µF = 2100 0.022 µF = 2220 0.047 µF = 2470 0.1 µF = 3100 0.22 µF = 3220 0.47 µF = 3470 1 µF = 4100 2.2 µF = 4220 4.7 µF = 4470 10 µF = 5100 22 µF = 5220 47 µF = 5470 100 µF = 6100 220 µF = 6220 1000 µF = 7100 1500 µF = 7150 ...</p>	<p>Size:</p> <p>4.8x3.3x3 Size 1812 = KA 4.8x3.3x4 Size 1812 = KB 5.7x5.1x3.5 Size 2220 = QA 5.7x5.1x4.5 Size 2220 = QB 7.2x6.1x3 Size 2824 = TA 7.2x6.1x5 Size 2824 = TB 10.2x7.6x5 Size 4030 = VA 12.7x10.2x6 Size 5040 = XA 15.3x13.7x7 Size 6054 = YA 2.5x7x4.6 PCM 2.5 = 0B 3x7.5x4.6 PCM 2.5 = 0C 2.5x6.5x7.2 PCM 5 = 1A 3x7.5x7.2 PCM 5 = 1B 2.5x7x10 PCM 7.5 = 2A 3x8.5x10 PCM 7.5 = 2B 3x9x13 PCM 10 = 3A 4x9x13 PCM 10 = 3C 5x11x18 PCM 15 = 4B 6x12.5x18 PCM 15 = 4C 5x14x26.5 PCM 22.5 = 5A 6x15x26.5 PCM 22.5 = 5B 9x19x31.5 PCM 27.5 = 6A 11x21x31.5 PCM 27.5 = 6B 9x19x41.5 PCM 37.5 = 7A 11x22x41.5 PCM 37.5 = 7B 19x31x56 PCM 48.5 = 8D 35x50x57 PCM 52.5 = 9F ...</p>	<p>Tolerance:</p> <p>±20% = M ±10% = K ±5% = J ±2.5% = H ±1% = E ...</p> <p>Packing:</p> <p>AMMO H16.5 340x340 = A AMMO H16.5 490x370 = B AMMO H18.5 340x340 = C AMMO H18.5 490x370 = D REEL H16.5 360 = F REEL H16.5 500 = H REEL H18.5 360 = I REEL H18.5 500 = J ROLL H16.5 = N ROLL H18.5 = O BLISTER W12 180 = P BLISTER W12 330 = Q BLISTER W16 330 = R BLISTER W24 330 = T Bulk/TPS Standard = S ...</p>
			<p>Version code:</p> <p>Standard = 00 Version A1 = 1A Version A1.1.1 = 1B Version A2 = 2A ...</p>	<p>Pin length (untaped)</p> <p>3.5 ±0.5 = C9 6-2 = SD 16 ±1 = P1 ...</p> <p>Pin length (taped)</p> <p>none = 00</p>

The data on this page is not complete and serves only to explain the part number system. Part number information is listed on the pages of the respective WIMA range.

Компания «Океан Электроники» предлагает заключение долгосрочных отношений при поставках импортных электронных компонентов на взаимовыгодных условиях!

Наши преимущества:

- Поставка оригинальных импортных электронных компонентов напрямую с производств Америки, Европы и Азии, а так же с крупнейших складов мира;
- Широкая линейка поставок активных и пассивных импортных электронных компонентов (более 30 млн. наименований);
- Поставка сложных, дефицитных, либо снятых с производства позиций;
- Оперативные сроки поставки под заказ (от 5 рабочих дней);
- Экспресс доставка в любую точку России;
- Помощь Конструкторского Отдела и консультации квалифицированных инженеров;
- Техническая поддержка проекта, помощь в подборе аналогов, поставка прототипов;
- Поставка электронных компонентов под контролем ВП;
- Система менеджмента качества сертифицирована по Международному стандарту ISO 9001;
- При необходимости вся продукция военного и аэрокосмического назначения проходит испытания и сертификацию в лаборатории (по согласованию с заказчиком);
- Поставка специализированных компонентов военного и аэрокосмического уровня качества (Xilinx, Altera, Analog Devices, Intersil, Interpoint, Microsemi, Actel, Aeroflex, Peregrine, VPT, Syfer, Eurofarad, Texas Instruments, MS Kennedy, Miteq, Cobham, E2V, MA-COM, Hittite, Mini-Circuits, General Dynamics и др.);

Компания «Океан Электроники» является официальным дистрибьютором и эксклюзивным представителем в России одного из крупнейших производителей разъемов военного и аэрокосмического назначения «JONHON», а так же официальным дистрибьютором и эксклюзивным представителем в России производителя высокотехнологичных и надежных решений для передачи СВЧ сигналов «FORSTAR».



JONHON

«JONHON» (основан в 1970 г.)

Разъемы специального, военного и аэрокосмического назначения:

(Применяются в военной, авиационной, аэрокосмической, морской, железнодорожной, горно- и нефтедобывающей отраслях промышленности)

«FORSTAR» (основан в 1998 г.)

ВЧ соединители, коаксиальные кабели, кабельные сборки и микроволновые компоненты:

(Применяются в телекоммуникациях гражданского и специального назначения, в средствах связи, РЛС, а так же военной, авиационной и аэрокосмической отраслях промышленности).



Телефон: 8 (812) 309-75-97 (многоканальный)

Факс: 8 (812) 320-03-32

Электронная почта: ocean@oceanchips.ru

Web: <http://oceanchips.ru/>

Адрес: 198099, г. Санкт-Петербург, ул. Калинина, д. 2, корп. 4, лит. А