

Ultra-low-power Arm[®] Cortex[®]-M4 32-bit MCU+FPU, 100DMIPS,
512KB Flash, 160KB SRAM, analog, audio, AES

Datasheet - production data

Features

- Ultra-low-power with FlexPowerControl
 - 1.71 V to 3.6 V power supply
 - -40 °C to 85/125 °C temperature range
 - 145 nA in V_{BAT} mode: supply for RTC and 32x32-bit backup registers
 - 22 nA Shutdown mode (5 wakeup pins)
 - 106 nA Standby mode (5 wakeup pins)
 - 375 nA Standby mode with RTC
 - 2.05 µA Stop 2 mode, 2.40 µA with RTC
 - 84 µA/MHz run mode
 - Batch acquisition mode (BAM)
 - 4 µs wakeup from Stop mode
 - Brown out reset (BOR)
 - Interconnect matrix
- Core: Arm[®] 32-bit Cortex[®]-M4 CPU with FPU, Adaptive real-time accelerator (ART Accelerator™) allowing 0-wait-state execution from Flash memory, frequency up to 80 MHz, MPU, 100DMIPS and DSP instructions
- Performance benchmark
 - 1.25 DMIPS/MHz (Drystone 2.1)
 - 273.55 CoreMark[®] (3.42 CoreMark/MHz @ 80 MHz)
- Energy benchmark
 - 174.5 ULPBench[®] score
- Clock Sources
 - 4 to 48 MHz crystal oscillator
 - 32 kHz crystal oscillator for RTC (LSE)
 - Internal 16 MHz factory-trimmed RC (±1%)
 - Internal low-power 32 kHz RC (±5%)
 - Internal multispeed 100 kHz to 48 MHz oscillator, auto-trimmed by LSE (better than ±0.25 % accuracy)
 - Internal 48 MHz with clock recovery
 - 2 PLLs for system clock, audio, ADC



- Up to 83 fast I/Os, most 5 V-tolerant
- RTC with HW calendar, alarms and calibration
- Up to 21 capacitive sensing channels: support touchkey, linear and rotary touch sensors
- 12x timers: 1x 16-bit advanced motor-control, 1x 32-bit and 3x 16-bit general purpose, 2x 16-bit basic, 2x low-power 16-bit timers (available in Stop mode), 2x watchdogs, SysTick timer
- Memories
 - 512 KB single bank Flash, proprietary code readout protection
 - 160 KB of SRAM including 32 KB with hardware parity check
 - Quad SPI memory interface
- Rich analog peripherals (independent supply)
 - 1x 12-bit ADC 5 Msps, up to 16-bit with hardware oversampling, 200 µA/Msps
 - 1x 12-bit DAC output channels, low-power sample and hold
 - 1x operational amplifier with built-in PGA
 - 2x ultra-low-power comparators
 - Accurate 2.5 V or 2.048 V reference voltage buffered output
- AES: 128/256-bit key encryption hardware accelerator
- 17x communication interfaces
 - USB 2.0 full-speed crystal less solution with LPM and BCD
 - 1x SAI (serial audio interface)
 - 4x I2C FM+(1 Mbit/s), SMBus/PMBus
 - 3x USARTs (ISO 7816, LIN, IrDA, modem)
 - 1x UART (LIN, IrDA, modem)
 - 1x LPUART (Stop 2 wake-up)
 - 3x SPIs (and 1x Quad SPI)

- CAN (2.0B Active) and SDMMC interface
- IRTIM (Infrared interface)
- 14-channel DMA controller
- True random number generator
- CRC calculation unit, 96-bit unique ID
- Development support: serial wire debug (SWD), JTAG, Embedded Trace Macrocell™
- All packages are ECOPACK2® compliant

Contents

| | | |
|----------|--|-----------|
| 1 | Introduction | 12 |
| 2 | Description | 13 |
| 3 | Functional overview | 17 |
| 3.1 | Arm® Cortex®-M4 core with FPU | 17 |
| 3.2 | Adaptive real-time memory accelerator (ART Accelerator™) | 17 |
| 3.3 | Memory protection unit | 17 |
| 3.4 | Embedded Flash memory | 18 |
| 3.5 | Embedded SRAM | 19 |
| 3.6 | Firewall | 19 |
| 3.7 | Boot modes | 20 |
| 3.8 | Cyclic redundancy check calculation unit (CRC) | 20 |
| 3.9 | Power supply management | 20 |
| 3.9.1 | Power supply schemes | 20 |
| 3.9.2 | Power supply supervisor | 22 |
| 3.9.3 | Voltage regulator | 23 |
| 3.9.4 | Low-power modes | 23 |
| 3.9.5 | Reset mode | 31 |
| 3.9.6 | VBAT operation | 31 |
| 3.10 | Interconnect matrix | 32 |
| 3.11 | Clocks and startup | 34 |
| 3.12 | General-purpose inputs/outputs (GPIOs) | 37 |
| 3.13 | Direct memory access controller (DMA) | 37 |
| 3.14 | Interrupts and events | 38 |
| 3.14.1 | Nested vectored interrupt controller (NVIC) | 38 |
| 3.14.2 | Extended interrupt/event controller (EXTI) | 38 |
| 3.15 | Analog to digital converter (ADC) | 39 |
| 3.15.1 | Temperature sensor | 39 |
| 3.15.2 | Internal voltage reference (VREFINT) | 40 |
| 3.15.3 | VBAT battery voltage monitoring | 40 |
| 3.16 | Digital to analog converter (DAC) | 40 |

| | | |
|----------|---|-----------|
| 3.17 | Voltage reference buffer (VREFBUF) | 41 |
| 3.18 | Comparators (COMP) | 42 |
| 3.19 | Operational amplifier (OPAMP) | 42 |
| 3.20 | Touch sensing controller (TSC) | 42 |
| 3.21 | Digital filter for Sigma-Delta Modulators (DFSDM) | 43 |
| 3.22 | Random number generator (RNG) | 45 |
| 3.23 | Advanced encryption standard hardware accelerator (AES) | 45 |
| 3.24 | Timers and watchdogs | 46 |
| 3.24.1 | Advanced-control timer (TIM1) | 46 |
| 3.24.2 | General-purpose timers (TIM2, TIM3, TIM15, TIM16) | 47 |
| 3.24.3 | Basic timer (TIM6) | 47 |
| 3.24.4 | Low-power timer (LPTIM1 and LPTIM2) | 47 |
| 3.24.5 | Infrared interface (IRTIM) | 48 |
| 3.24.6 | Independent watchdog (IWDG) | 48 |
| 3.24.7 | System window watchdog (WWDG) | 48 |
| 3.24.8 | SysTick timer | 48 |
| 3.25 | Real-time clock (RTC) and backup registers | 49 |
| 3.26 | Inter-integrated circuit interface (I ² C) | 50 |
| 3.27 | Universal synchronous/asynchronous receiver transmitter (USART) | 51 |
| 3.28 | Low-power universal asynchronous receiver transmitter (LPUART) | 52 |
| 3.29 | Serial peripheral interface (SPI) | 53 |
| 3.30 | Serial audio interfaces (SAI) | 53 |
| 3.31 | Controller area network (CAN) | 54 |
| 3.32 | Secure digital input/output and MultiMediaCards Interface (SDMMC) | 54 |
| 3.33 | Universal serial bus (USB) | 55 |
| 3.34 | Clock recovery system (CRS) | 55 |
| 3.35 | Quad SPI memory interface (QUADSPI) | 55 |
| 3.36 | Development support | 57 |
| 3.36.1 | Serial wire JTAG debug port (SWJ-DP) | 57 |
| 3.36.2 | Embedded Trace Macrocell™ | 57 |
| 4 | Pinouts and pin description | 58 |
| 5 | Memory mapping | 83 |

| | | |
|----------|---|-----------|
| 6 | Electrical characteristics | 87 |
| 6.1 | Parameter conditions | 87 |
| 6.1.1 | Minimum and maximum values | 87 |
| 6.1.2 | Typical values | 87 |
| 6.1.3 | Typical curves | 87 |
| 6.1.4 | Loading capacitor | 87 |
| 6.1.5 | Pin input voltage | 87 |
| 6.1.6 | Power supply scheme | 88 |
| 6.1.7 | Current consumption measurement | 89 |
| 6.2 | Absolute maximum ratings | 89 |
| 6.3 | Operating conditions | 92 |
| 6.3.1 | General operating conditions | 92 |
| 6.3.2 | Operating conditions at power-up / power-down | 93 |
| 6.3.3 | Embedded reset and power control block characteristics | 93 |
| 6.3.4 | Embedded voltage reference | 96 |
| 6.3.5 | Supply current characteristics | 98 |
| 6.3.6 | Wakeup time from low-power modes and voltage scaling transition times | 115 |
| 6.3.7 | External clock source characteristics | 118 |
| 6.3.8 | Internal clock source characteristics | 123 |
| 6.3.9 | PLL characteristics | 130 |
| 6.3.10 | Flash memory characteristics | 131 |
| 6.3.11 | EMC characteristics | 132 |
| 6.3.12 | Electrical sensitivity characteristics | 133 |
| 6.3.13 | I/O current injection characteristics | 134 |
| 6.3.14 | I/O port characteristics | 135 |
| 6.3.15 | NRST pin characteristics | 140 |
| 6.3.16 | Extended interrupt and event controller input (EXTI) characteristics | 141 |
| 6.3.17 | Analog switches booster | 141 |
| 6.3.18 | Analog-to-Digital converter characteristics | 142 |
| 6.3.19 | Digital-to-Analog converter characteristics | 155 |
| 6.3.20 | Voltage reference buffer characteristics | 160 |
| 6.3.21 | Comparator characteristics | 162 |
| 6.3.22 | Operational amplifiers characteristics | 163 |
| 6.3.23 | Temperature sensor characteristics | 166 |
| 6.3.24 | V _{BAT} monitoring characteristics | 167 |
| 6.3.25 | Timer characteristics | 167 |

| | | | |
|----------|--------|---|------------|
| | 6.3.26 | Communication interfaces characteristics | 168 |
| 7 | | Package information | 181 |
| | 7.1 | LQFP100 package information | 181 |
| | 7.2 | UFBGA100 package information | 184 |
| | 7.3 | LQFP64 package information | 187 |
| | 7.4 | UFBGA64 package information | 189 |
| | 7.5 | WLCSP64 package information | 192 |
| | 7.6 | UFQFPN48 package information | 195 |
| | 7.7 | Thermal characteristics | 198 |
| | | 7.7.1 Reference document | 198 |
| | | 7.7.2 Selecting the product temperature range | 198 |
| 8 | | Ordering information | 201 |
| 9 | | Revision history | 202 |

List of tables

| | | |
|-----------|--|-----|
| Table 1. | STM32L462xx family device features and peripheral counts | 14 |
| Table 2. | Access status versus readout protection level and execution modes. | 18 |
| Table 3. | STM32L462xx modes overview | 24 |
| Table 4. | Functionalities depending on the working mode. | 29 |
| Table 5. | STM32L462xx peripherals interconnect matrix | 32 |
| Table 6. | DMA implementation | 37 |
| Table 7. | Temperature sensor calibration values. | 40 |
| Table 8. | Internal voltage reference calibration values | 40 |
| Table 9. | DFSDM1 implementation | 45 |
| Table 10. | Timer feature comparison. | 46 |
| Table 11. | I2C implementation. | 50 |
| Table 12. | STM32L462xx USART/UART/LPUART features | 51 |
| Table 13. | SAI implementation. | 54 |
| Table 14. | Legend/abbreviations used in the pinout table | 61 |
| Table 15. | STM32L462xx pin definitions | 62 |
| Table 16. | Alternate function AF0 to AF7. | 71 |
| Table 17. | Alternate function AF8 to AF15. | 77 |
| Table 18. | STM32L462xx memory map and peripheral register boundary addresses | 84 |
| Table 19. | Voltage characteristics | 89 |
| Table 20. | Current characteristics | 90 |
| Table 21. | Thermal characteristics. | 91 |
| Table 22. | General operating conditions | 92 |
| Table 23. | Operating conditions at power-up / power-down | 93 |
| Table 24. | Embedded reset and power control block characteristics. | 93 |
| Table 25. | Embedded internal voltage reference. | 96 |
| Table 26. | Current consumption in Run and Low-power run modes, code with data processing running from Flash, ART enable (Cache ON Prefetch OFF) | 99 |
| Table 27. | Current consumption in Run and Low-power run modes, code with data processing running from Flash, ART disable | 100 |
| Table 28. | Current consumption in Run and Low-power run modes, code with data processing running from SRAM1 | 101 |
| Table 29. | Typical current consumption in Run and Low-power run modes, with different codes running from Flash, ART enable (Cache ON Prefetch OFF) | 102 |
| Table 30. | Typical current consumption in Run and Low-power run modes, with different codes running from Flash, ART disable | 103 |
| Table 31. | Typical current consumption in Run and Low-power run modes, with different codes running from SRAM1 | 103 |
| Table 32. | Current consumption in Sleep and Low-power sleep modes, Flash ON | 104 |
| Table 33. | Current consumption in Low-power sleep modes, Flash in power-down | 105 |
| Table 34. | Current consumption in Stop 2 mode | 105 |
| Table 35. | Current consumption in Stop 1 mode | 107 |
| Table 36. | Current consumption in Stop 0 | 108 |
| Table 37. | Current consumption in Standby mode | 109 |
| Table 38. | Current consumption in Shutdown mode | 110 |
| Table 39. | Current consumption in VBAT mode | 111 |
| Table 40. | Peripheral current consumption | 113 |
| Table 41. | Low-power mode wakeup timings | 115 |
| Table 42. | Regulator modes transition times | 117 |

| | | |
|-----------|---|-----|
| Table 43. | Wakeup time using USART/LPUART | 117 |
| Table 44. | High-speed external user clock characteristics | 118 |
| Table 45. | Low-speed external user clock characteristics | 119 |
| Table 46. | HSE oscillator characteristics | 120 |
| Table 47. | LSE oscillator characteristics ($f_{LSE} = 32.768$ kHz) | 121 |
| Table 48. | HSI16 oscillator characteristics | 123 |
| Table 49. | MSI oscillator characteristics | 125 |
| Table 50. | HSI48 oscillator characteristics | 128 |
| Table 51. | LSI oscillator characteristics | 129 |
| Table 52. | PLL, PLLSAI1 characteristics | 130 |
| Table 53. | Flash memory characteristics | 131 |
| Table 54. | Flash memory endurance and data retention | 131 |
| Table 55. | EMS characteristics | 132 |
| Table 56. | EMI characteristics | 133 |
| Table 57. | ESD absolute maximum ratings | 133 |
| Table 58. | Electrical sensitivities | 134 |
| Table 59. | I/O current injection susceptibility | 134 |
| Table 60. | I/O static characteristics | 135 |
| Table 61. | Output voltage characteristics | 137 |
| Table 62. | I/O AC characteristics | 138 |
| Table 63. | NRST pin characteristics | 140 |
| Table 64. | EXTI Input Characteristics | 141 |
| Table 65. | Analog switches booster characteristics | 141 |
| Table 66. | ADC characteristics | 142 |
| Table 67. | Maximum ADC RAIN | 144 |
| Table 68. | ADC accuracy - limited test conditions 1 | 146 |
| Table 69. | ADC accuracy - limited test conditions 2 | 148 |
| Table 70. | ADC accuracy - limited test conditions 3 | 150 |
| Table 71. | ADC accuracy - limited test conditions 4 | 152 |
| Table 72. | DAC characteristics | 155 |
| Table 73. | DAC accuracy | 158 |
| Table 74. | VREFBUF characteristics | 160 |
| Table 75. | COMP characteristics | 162 |
| Table 76. | OPAMP characteristics | 163 |
| Table 77. | TS characteristics | 166 |
| Table 78. | V_{BAT} monitoring characteristics | 167 |
| Table 79. | V_{BAT} charging characteristics | 167 |
| Table 80. | TIMx characteristics | 167 |
| Table 81. | IWDG min/max timeout period at 32 kHz (LSI) | 168 |
| Table 82. | WWDG min/max timeout value at 80 MHz (PCLK) | 168 |
| Table 83. | I2C analog filter characteristics | 169 |
| Table 84. | SPI characteristics | 170 |
| Table 85. | Quad SPI characteristics in SDR mode | 173 |
| Table 86. | QUADSPI characteristics in DDR mode | 174 |
| Table 87. | SAI characteristics | 176 |
| Table 88. | SD / MMC dynamic characteristics, $V_{DD} = 2.7$ V to 3.6 V | 178 |
| Table 89. | eMMC dynamic characteristics, $V_{DD} = 1.71$ V to 1.9 V | 179 |
| Table 90. | USB electrical characteristics | 180 |
| Table 91. | LQPF100 - 100-pin, 14 x 14 mm low-profile quad flat package mechanical data | 181 |
| Table 92. | UFPGA100 - 100-ball, 7 x 7 mm, 0.50 mm pitch, ultra fine pitch ball grid array package mechanical data | 184 |

| | | |
|------------|---|-----|
| Table 93. | UFBGA100 recommended PCB design rules (0.5 mm pitch BGA) | 185 |
| Table 94. | LQFP64 - 64-pin, 10 x 10 mm low-profile quad flat package mechanical data | 187 |
| Table 95. | UFBGA64 – 64-ball, 5 x 5 mm, 0.5 mm pitch ultra profile fine pitch ball grid array package mechanical data | 190 |
| Table 96. | UFBGA64 recommended PCB design rules (0.5 mm pitch BGA) | 190 |
| Table 97. | WLCSP64 - 64-ball, 3.357x3.657 mm 0.4 mm pitch wafer level chip scale mechanical data | 193 |
| Table 98. | WLCSP64 recommended PCB design rules (0.4 mm pitch) | 194 |
| Table 99. | UFQFPN48 - 48-lead, 7x7 mm, 0.5 mm pitch, ultra thin fine pitch quad flat package mechanical data | 196 |
| Table 100. | Package thermal characteristics | 198 |
| Table 101. | STM32L462xx ordering information scheme | 201 |
| Table 102. | Document revision history | 202 |

List of figures

| | | |
|------------|--|-----|
| Figure 1. | STM32L462xx block diagram | 16 |
| Figure 2. | Power supply overview | 21 |
| Figure 3. | Power-up/down sequence | 22 |
| Figure 4. | Clock tree | 36 |
| Figure 5. | Voltage reference buffer | 41 |
| Figure 6. | STM32L462Vx LQFP100 pinout ⁽¹⁾ | 58 |
| Figure 7. | STM32L462Vx UFBGA100 ballout ⁽¹⁾ | 59 |
| Figure 8. | STM32L462Rx LQFP64 pinout ⁽¹⁾ | 59 |
| Figure 9. | STM32L462Rx UFBGA64 ballout ⁽¹⁾ | 60 |
| Figure 10. | STM32L462Rx WLCSP64 pinout ⁽¹⁾ | 60 |
| Figure 11. | STM32L462Cx UFQFPN48 pinout ⁽¹⁾ | 61 |
| Figure 12. | STM32L462xx memory map | 83 |
| Figure 13. | Pin loading conditions | 87 |
| Figure 14. | Pin input voltage | 87 |
| Figure 15. | Power supply scheme | 88 |
| Figure 16. | Current consumption measurement scheme | 89 |
| Figure 17. | VREFINT versus temperature | 97 |
| Figure 18. | High-speed external clock source AC timing diagram | 118 |
| Figure 19. | Low-speed external clock source AC timing diagram | 119 |
| Figure 20. | Typical application with an 8 MHz crystal | 121 |
| Figure 21. | Typical application with a 32.768 kHz crystal | 122 |
| Figure 22. | HSI16 frequency versus temperature | 124 |
| Figure 23. | Typical current consumption versus MSI frequency | 128 |
| Figure 24. | HSI48 frequency versus temperature | 129 |
| Figure 25. | I/O input characteristics | 136 |
| Figure 26. | I/O AC characteristics definition ⁽¹⁾ | 140 |
| Figure 27. | Recommended NRST pin protection | 141 |
| Figure 28. | ADC accuracy characteristics | 153 |
| Figure 29. | Typical connection diagram using the ADC | 154 |
| Figure 30. | 12-bit buffered / non-buffered DAC | 157 |
| Figure 31. | SPI timing diagram - slave mode and CPHA = 0 | 171 |
| Figure 32. | SPI timing diagram - slave mode and CPHA = 1 | 172 |
| Figure 33. | SPI timing diagram - master mode | 172 |
| Figure 34. | Quad SPI timing diagram - SDR mode | 175 |
| Figure 35. | Quad SPI timing diagram - DDR mode | 175 |
| Figure 36. | SAI master timing waveforms | 177 |
| Figure 37. | SAI slave timing waveforms | 178 |
| Figure 38. | SDIO high-speed mode | 179 |
| Figure 39. | SD default mode | 180 |
| Figure 40. | LQFP100 - 100-pin, 14 x 14 mm low-profile quad flat package outline | 181 |
| Figure 41. | LQFP100 - 100-pin, 14 x 14 mm low-profile quad flat recommended footprint | 182 |
| Figure 42. | LQFP100 marking (package top view) | 183 |
| Figure 43. | UFBGA100 - 100-ball, 7 x 7 mm, 0.50 mm pitch, ultra fine pitch ball grid array package outline | 184 |
| Figure 44. | UFBGA100 - 100-ball, 7 x 7 mm, 0.50 mm pitch, ultra fine pitch ball grid array package recommended footprint | 185 |
| Figure 45. | UFBGA100 marking (package top view) | 186 |

| | | |
|------------|---|-----|
| Figure 46. | LQFP64 - 64-pin, 10 x 10 mm low-profile quad flat package outline | 187 |
| Figure 47. | LQFP64 - 64-pin, 10 x 10 mm low-profile quad flat package recommended footprint. | 188 |
| Figure 48. | LQFP64 marking (package top view) | 189 |
| Figure 49. | UFBGA64 – 64-ball, 5 x 5 mm, 0.5 mm pitch ultra profile fine pitch ball grid array package outline | 189 |
| Figure 50. | UFBGA64 – 64-ball, 5 x 5 mm, 0.5 mm pitch ultra profile fine pitch ball grid array package recommended footprint | 190 |
| Figure 51. | UFBGA64 marking (package top view) | 191 |
| Figure 52. | WLCSP64 - 64-ball, 3.357x3.657 mm 0.4 mm pitch wafer level chip scale package outline. | 192 |
| Figure 53. | WLCSP64 - 64-pin, 3.357x3.657 mm 0.4 mm pitch wafer level chip scale recommended footprint. | 193 |
| Figure 54. | WLCSP64 marking (package top view) | 194 |
| Figure 55. | UFQFPN48 - 48-lead, 7x7 mm, 0.5 mm pitch, ultra thin fine pitch quad flat package outline. | 195 |
| Figure 56. | UFQFPN48 - 48-lead, 7x7 mm, 0.5 mm pitch, ultra thin fine pitch quad flat package recommended footprint | 196 |
| Figure 57. | UFQFPN48 marking (package top view) | 197 |
| Figure 58. | LQFP64 P_D max vs. T_A | 200 |

1 Introduction

This datasheet provides the ordering information and mechanical device characteristics of the STM32L462xx microcontrollers.

This document should be read in conjunction with the STM32L43xxx/44xxx/45xxx/46xxx reference manual (RM0394). The reference manual is available from the STMicroelectronics website www.st.com.

For information on the Arm^{®(a)} Cortex[®]-M4 core, please refer to the Cortex[®]-M4 Technical Reference Manual, available from the www.arm.com website.



arm

a. Arm is a registered trademark of Arm Limited (or its subsidiaries) in the US and/or elsewhere.

2 Description

The STM32L462xx devices are the ultra-low-power microcontrollers based on the high-performance Arm® Cortex®-M4 32-bit RISC core operating at a frequency of up to 80 MHz. The Cortex-M4 core features a Floating point unit (FPU) single precision which supports all Arm® single-precision data-processing instructions and data types. It also implements a full set of DSP instructions and a memory protection unit (MPU) which enhances application security.

The STM32L462xx devices embed high-speed memories (Flash memory up to 512 Kbyte, 160 Kbyte of SRAM), a Quad SPI flash memories interface (available on all packages) and an extensive range of enhanced I/Os and peripherals connected to two APB buses, two AHB buses and a 32-bit multi-AHB bus matrix.

The STM32L462xx devices embed several protection mechanisms for embedded Flash memory and SRAM: readout protection, write protection, proprietary code readout protection and Firewall.

The devices offer a fast 12-bit ADC (5 Msps), two comparators, one operational amplifier, one DAC channel, an internal voltage reference buffer, a low-power RTC, one general-purpose 32-bit timer, one 16-bit PWM timer dedicated to motor control, four general-purpose 16-bit timers, and two 16-bit low-power timers.

In addition, up to 21 capacitive sensing channels are available.

They also feature standard and advanced communication interfaces.

- Four I2Cs
- Three SPIs
- Three USARTs, one UART and one Low-Power UART.
- One SAI (Serial Audio Interfaces)
- One SDMMC
- One CAN
- One USB full-speed device crystal less

The STM32L462xx devices embed AES hardware accelerator.

The STM32L462xx operates in the -40 to +85 °C (+105 °C junction) and -40 to +125 °C (+130 °C junction) temperature ranges from a 1.71 to 3.6 V power supply. A comprehensive set of power-saving modes allows the design of low-power applications.

Some independent power supplies are supported: analog independent supply input for ADC, DAC, OPAMP and comparators. A VBAT input allows to backup the RTC and backup registers.

The STM32L462xx family offers six packages from 48 to 100-pin packages.

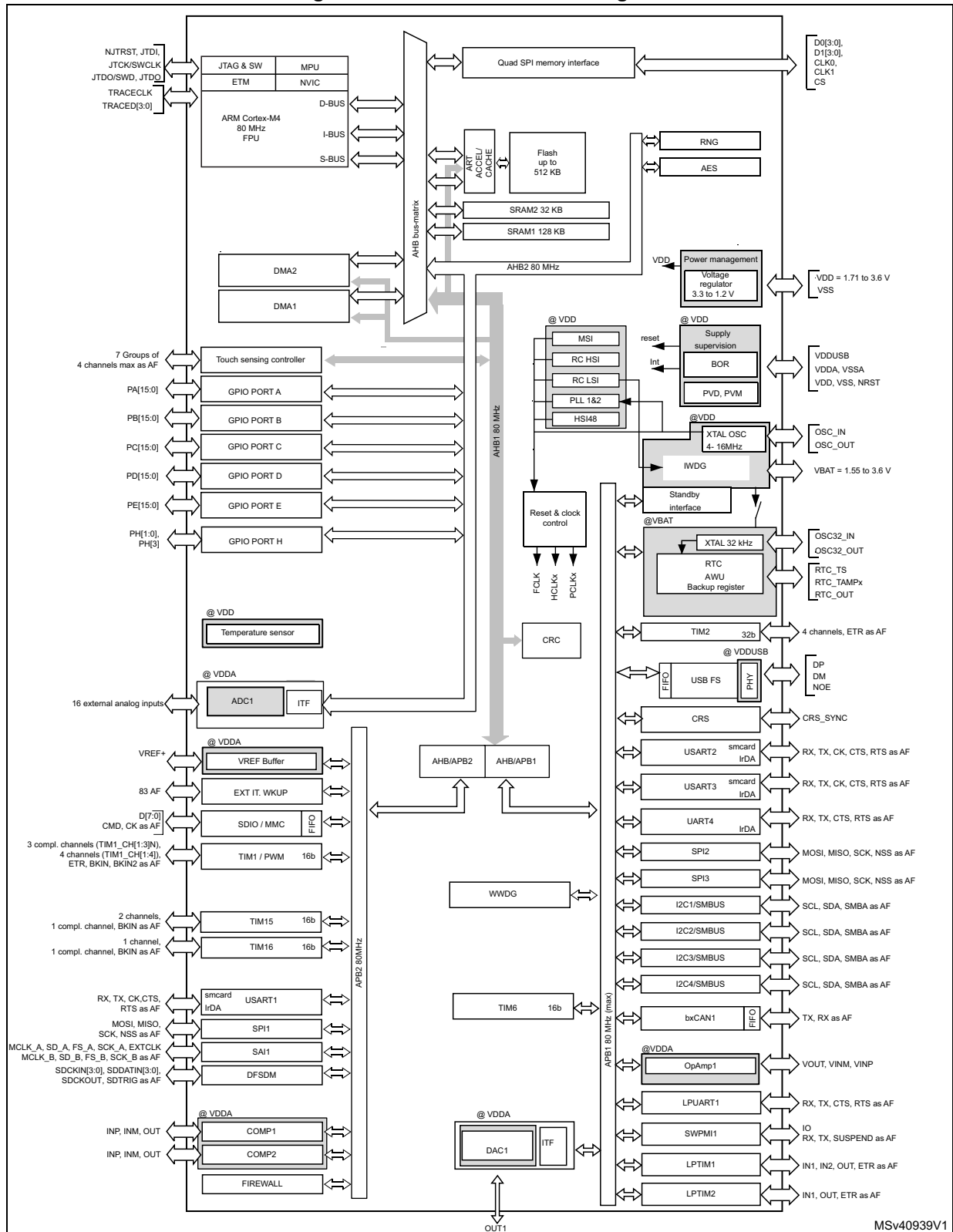
Table 1. STM32L462xx family device features and peripheral counts

| Peripheral | | STM32L462Vx | STM32L462Rx | STM32L462Cx |
|--|---------------------------------------|--------------------------|-------------|-------------|
| Flash memory | | 512KB | | |
| SRAM | | 160KB | | |
| Quad SPI | | Yes | | |
| Timers | Advanced control | 1 (16-bit) | | |
| | General purpose | 2 (16-bit) 1 (32-bit) | | |
| | Basic | 2 (16-bit) | | |
| | Low -power | 2 (16-bit) | | |
| | SysTick timer | 1 | | |
| | Watchdog timers (independent, window) | 2 | | |
| Comm. interfaces | SPI | 3 | | |
| | I ² C | 4 | | |
| | USART | 3 | | |
| | UART | 1 | | |
| | LPUART | 1 | | |
| | SAI | 1 | | |
| | CAN | 1 | | |
| | USB FS | Yes | | |
| SDMMC | Yes | | No | |
| RTC | | Yes | | |
| Tamper pins | | 3 | 2 | 2 |
| Random generator | | Yes | | |
| AES | | Yes | | |
| GPIOs | | 83 | 52 | 38 |
| Wakeup pins | | 5 | 4 | 3 |
| Capacitive sensing Number of channels | | 21 | 12 | 6 |
| 12-bit ADC Number of channels | | 1 16 | 1 16 | 1 10 |
| 12-bit DAC channels | | 1 | | |
| Internal voltage reference buffer | | Yes | No | No |
| Analog comparator | | 2 | | |
| Operational amplifiers | | 1 | | |

Table 1. STM32L462xx family device features and peripheral counts (continued)

| Peripheral | STM32L462Vx | STM32L462Rx | STM32L462Cx |
|-----------------------|--|------------------------------|-------------|
| Max. CPU frequency | 80 MHz | | |
| Operating voltage | 1.71 to 3.6 V | | |
| Operating temperature | Ambient operating temperature: -40 to 85 °C / -40 to 125 °C Junction temperature: -40 to 105 °C / -40 to 130 °C | | |
| Packages | LQFP100 UFBGA100 | WLCSP64 LQFP64 UFBGA64 | UFQFPN48 |

Figure 1. STM32L462xx block diagram



Note: AF: alternate function on I/O pins.

3 Functional overview

3.1 Arm[®] Cortex[®]-M4 core with FPU

The Arm[®] Cortex[®]-M4 with FPU processor is the latest generation of Arm[®] processors for embedded systems. It was developed to provide a low-cost platform that meets the needs of MCU implementation, with a reduced pin count and low-power consumption, while delivering outstanding computational performance and an advanced response to interrupts.

The Arm[®] Cortex[®]-M4 with FPU 32-bit RISC processor features exceptional code-efficiency, delivering the high-performance expected from an Arm[®] core in the memory size usually associated with 8- and 16-bit devices.

The processor supports a set of DSP instructions which allow efficient signal processing and complex algorithm execution.

Its single precision FPU speeds up software development by using metalanguage development tools, while avoiding saturation.

With its embedded Arm[®] core, the STM32L462xx family is compatible with all Arm[®] tools and software.

Figure 1 shows the general block diagram of the STM32L462xx family devices.

3.2 Adaptive real-time memory accelerator (ART Accelerator™)

The ART Accelerator™ is a memory accelerator which is optimized for STM32 industry-standard Arm[®] Cortex[®]-M4 processors. It balances the inherent performance advantage of the Arm[®] Cortex[®]-M4 over Flash memory technologies, which normally requires the processor to wait for the Flash memory at higher frequencies.

To release the processor near 100 DMIPS performance at 80MHz, the accelerator implements an instruction prefetch queue and branch cache, which increases program execution speed from the 64-bit Flash memory. Based on CoreMark benchmark, the performance achieved thanks to the ART accelerator is equivalent to 0 wait state program execution from Flash memory at a CPU frequency up to 80 MHz.

3.3 Memory protection unit

The memory protection unit (MPU) is used to manage the CPU accesses to memory to prevent one task to accidentally corrupt the memory or resources used by any other active task. This memory area is organized into up to 8 protected areas that can in turn be divided up into 8 subareas. The protection area sizes are between 32 bytes and the whole 4 gigabytes of addressable memory.

The MPU is especially helpful for applications where some critical or certified code has to be protected against the misbehavior of other tasks. It is usually managed by an RTOS (real-time operating system). If a program accesses a memory location that is prohibited by the MPU, the RTOS can detect it and take action. In an RTOS environment, the kernel can dynamically update the MPU area setting, based on the process to be executed.

The MPU is optional and can be bypassed for applications that do not need it.

3.4 Embedded Flash memory

STM32L462xx devices feature up to 512 Kbyte of embedded Flash memory available for storing programs and data in single bank architecture. The Flash memory contains 256 pages of 2 Kbyte.

Flexible protections can be configured thanks to option bytes:

- Readout protection (RDP) to protect the whole memory. Three levels are available:
 - Level 0: no readout protection
 - Level 1: memory readout protection: the Flash memory cannot be read from or written to if either debug features are connected, boot in RAM or bootloader is selected
 - Level 2: chip readout protection: debug features (Cortex-M4 JTAG and serial wire), boot in RAM and bootloader selection are disabled (JTAG fuse). This selection is irreversible.

Table 2. Access status versus readout protection level and execution modes

| Area | Protection level | User execution | | | Debug, boot from RAM or boot from system memory (loader) | | |
|------------------|------------------|----------------|-------|--------------------|--|-------|--------------------|
| | | Read | Write | Erase | Read | Write | Erase |
| Main memory | 1 | Yes | Yes | Yes | No | No | No |
| | 2 | Yes | Yes | Yes | N/A | N/A | N/A |
| System memory | 1 | Yes | No | No | Yes | No | No |
| | 2 | Yes | No | No | N/A | N/A | N/A |
| Option bytes | 1 | Yes | Yes | Yes | Yes | Yes | Yes |
| | 2 | Yes | No | No | N/A | N/A | N/A |
| Backup registers | 1 | Yes | Yes | N/A ⁽¹⁾ | No | No | N/A ⁽¹⁾ |
| | 2 | Yes | Yes | N/A | N/A | N/A | N/A |
| SRAM2 | 1 | Yes | Yes | Yes ⁽¹⁾ | No | No | No ⁽¹⁾ |
| | 2 | Yes | Yes | Yes | N/A | N/A | N/A |

1. Erased when RDP change from Level 1 to Level 0.

- Write protection (WRP): the protected area is protected against erasing and programming. Two areas can be selected, with 2-Kbyte granularity.
- Proprietary code readout protection (PCROP): a part of the flash memory can be protected against read and write from third parties. The protected area is execute-only: it can only be reached by the STM32 CPU, as an instruction code, while all other accesses (DMA, debug and CPU data read, write and erase) are strictly prohibited. The PCROP area granularity is 64-bit wide. An additional option bit (PCROP_RDP) allows to select if the PCROP area is erased or not when the RDP protection is changed from Level 1 to Level 0.

The whole non-volatile memory embeds the error correction code (ECC) feature supporting:

- single error detection and correction
- double error detection.
- The address of the ECC fail can be read in the ECC register

3.5 Embedded SRAM

STM32L462xx devices feature 160 Kbyte of embedded SRAM. This SRAM is split into two blocks:

- 128 Kbyte mapped at address 0x2000 0000 (SRAM1)
- 32 Kbyte located at address 0x1000 0000 with hardware parity check (SRAM2).

This memory is also mapped at address 0x2002 0000, offering a contiguous address space with the SRAM1 (32 Kbyte aliased by bit band)

This block is accessed through the ICode/DCode buses for maximum performance. These 32 Kbyte SRAM can also be retained in Standby mode.

The SRAM2 can be write-protected with 1 Kbyte granularity.

The memory can be accessed in read/write at CPU clock speed with 0 wait states.

3.6 Firewall

The device embeds a Firewall which protects code sensitive and secure data from any access performed by a code executed outside of the protected areas.

Each illegal access generates a reset which kills immediately the detected intrusion.

The Firewall main features are the following:

- Three segments can be protected and defined thanks to the Firewall registers:
 - Code segment (located in Flash or SRAM1 if defined as executable protected area)
 - Non-volatile data segment (located in Flash)
 - Volatile data segment (located in SRAM1)
- The start address and the length of each segments are configurable:
 - Code segment: up to 1024 Kbyte with granularity of 256 bytes
 - Non-volatile data segment: up to 1024 Kbyte with granularity of 256 bytes
 - Volatile data segment: up to 128 Kbyte with a granularity of 64 bytes
- Specific mechanism implemented to open the Firewall to get access to the protected areas (call gate entry sequence)
- Volatile data segment can be shared or not with the non-protected code
- Volatile data segment can be executed or not depending on the Firewall configuration

The Flash readout protection must be set to level 2 in order to reach the expected level of protection.

3.7 Boot modes

At startup, BOOT0 pin or nSWBOOT0 option bit, and BOOT1 option bit are used to select one of three boot options:

- Boot from user Flash
- Boot from system memory
- Boot from embedded SRAM

BOOT0 value may come from the PH3-BOOT0 pin or from an option bit depending on the value of a user option bit to free the GPIO pad if needed.

A Flash empty check mechanism is implemented to force the boot from system flash if the first flash memory location is not programmed and if the boot selection is configured to boot from main flash.

The boot loader is located in system memory. It is used to reprogram the Flash memory by using USART, I2C, SPI, CAN or USB FS in Device mode through DFU (device firmware upgrade).

3.8 Cyclic redundancy check calculation unit (CRC)

The CRC (cyclic redundancy check) calculation unit is used to get a CRC code using a configurable generator polynomial value and size.

Among other applications, CRC-based techniques are used to verify data transmission or storage integrity. In the scope of the EN/IEC 60335-1 standard, they offer a means of verifying the Flash memory integrity. The CRC calculation unit helps compute a signature of the software during runtime, to be compared with a reference signature generated at link-time and stored at a given memory location.

3.9 Power supply management

3.9.1 Power supply schemes

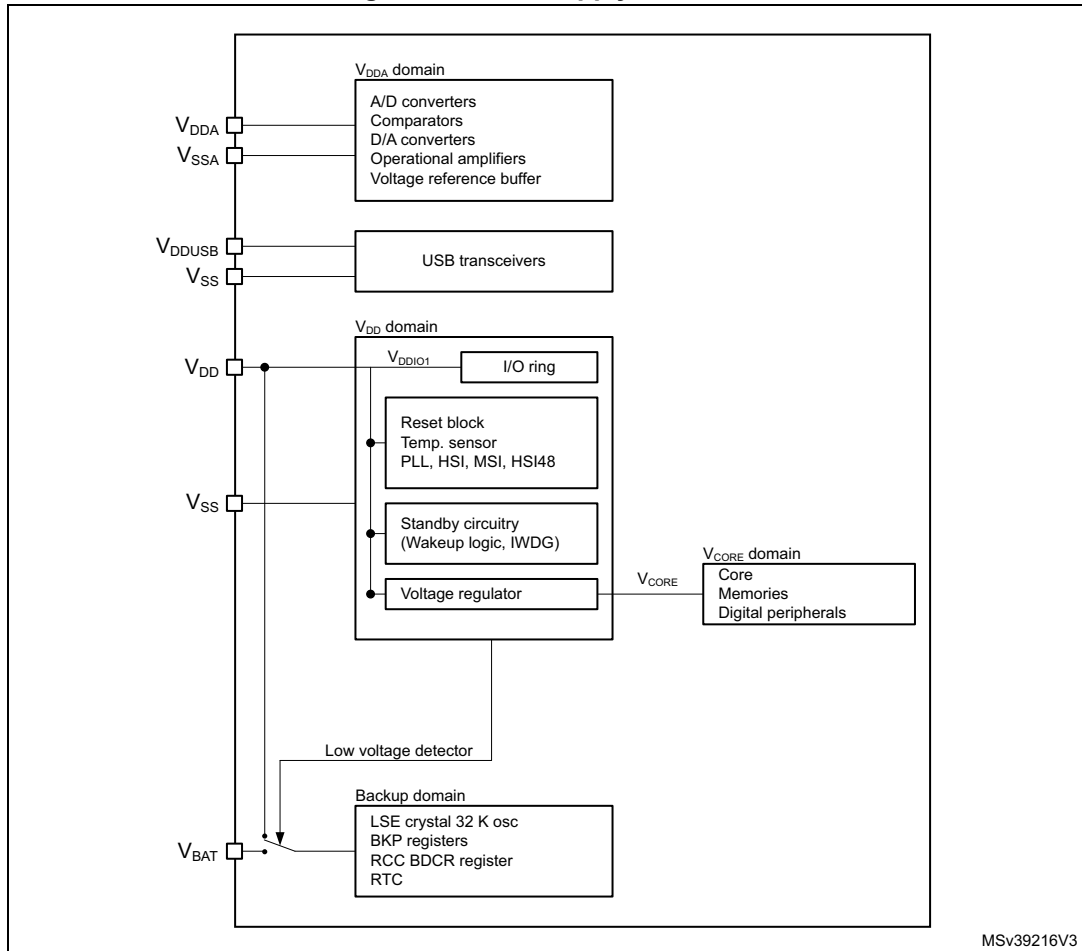
- $V_{DD} = 1.71$ to 3.6 V: external power supply for I/Os (V_{DDIO1}), the internal regulator and the system analog such as reset, power management and internal clocks. It is provided externally through VDD pins.
- $V_{DDA} = 1.62$ V (ADC/COMP) / 1.8 (DAC/OPAMP) / 2.4 V (VREFBUF) to 3.6 V: external analog power supply for ADC, DAC, OPAMP, Comparators and Voltage reference buffer. The V_{DDA} voltage level is independent from the V_{DD} voltage.
- $V_{DDUSB} = 3.0$ to 3.6 V: external independent power supply for USB transceivers. The V_{DDUSB} voltage level is independent from the V_{DD} voltage.
- $V_{BAT} = 1.55$ to 3.6 V: power supply for RTC, external clock 32 kHz oscillator and backup registers (through power switch) when V_{DD} is not present.

Note: When the functions supplied by V_{DDA} are not used, this supply should preferably be shorted to V_{DD} .

Note: If these supplies are tied to ground, the I/Os supplied by these power supplies are not 5 V tolerant.

Note: V_{DDIOx} is the I/Os general purpose digital functions supply. V_{DDIOx} represents V_{DDIO1} , with $V_{DDIO1} = V_{DD}$.

Figure 2. Power supply overview



During power-up and power-down phases, the following power sequence requirements must be respected:

- When V_{DD} is below 1 V, other power supplies (V_{DDA}) must remain below $V_{DD} + 300$ mV.
- When V_{DD} is above 1 V, all power supplies are independent.

During the power-down phase, V_{DD} can temporarily become lower than other supplies only if the energy provided to the MCU remains below 1 mJ; this allows external decoupling capacitors to be discharged with different time constants during the power-down transient phase.

Figure 3. Power-up/down sequence



1. V_{DDX} refers to V_{DDA} .

3.9.2 Power supply supervisor

The device has an integrated ultra-low-power brown-out reset (BOR) active in all modes except Shutdown and ensuring proper operation after power-on and during power down. The device remains in reset mode when the monitored supply voltage V_{DD} is below a specified threshold, without the need for an external reset circuit.

The lowest BOR level is 1.71V at power on, and other higher thresholds can be selected through option bytes. The device features an embedded programmable voltage detector (PVD) that monitors the V_{DD} power supply and compares it to the VPVD threshold. An interrupt can be generated when V_{DD} drops below the VPVD threshold and/or when V_{DD} is higher than the VPVD threshold. The interrupt service routine can then generate a warning message and/or put the MCU into a safe state. The PVD is enabled by software.

In addition, the device embeds a Peripheral Voltage Monitor which compares the independent supply voltage V_{DDA} with a fixed threshold in order to ensure that the peripheral is in its functional supply range.

3.9.3 Voltage regulator

Two embedded linear voltage regulators supply most of the digital circuitries: the main regulator (MR) and the low-power regulator (LPR).

- The MR is used in the Run and Sleep modes and in the Stop 0 mode.
- The LPR is used in Low-Power Run, Low-Power Sleep, Stop 1 and Stop 2 modes. It is also used to supply the 32 Kbyte SRAM2 in Standby with SRAM2 retention.
- Both regulators are in power-down in Standby and Shutdown modes: the regulator output is in high impedance, and the kernel circuitry is powered down thus inducing zero consumption.

The ultralow-power STM32L462xx supports dynamic voltage scaling to optimize its power consumption in run mode. The voltage from the Main Regulator that supplies the logic (V_{CORE}) can be adjusted according to the system's maximum operating frequency.

There are two power consumption ranges:

- Range 1 with the CPU running at up to 80 MHz.
- Range 2 with a maximum CPU frequency of 26 MHz. All peripheral clocks are also limited to 26 MHz.

The V_{CORE} can be supplied by the low-power regulator, the main regulator being switched off. The system is then in Low-power run mode.

- Low-power run mode with the CPU running at up to 2 MHz. Peripherals with independent clock can be clocked by HSI16.

3.9.4 Low-power modes

The ultra-low-power STM32L462xx supports seven low-power modes to achieve the best compromise between low-power consumption, short startup time, available peripherals and available wakeup sources.



Table 3. STM32L462xx modes overview

| Mode | Regulator ⁽¹⁾ | CPU | Flash | SRAM | Clocks | DMA & Peripherals ⁽²⁾ | Wakeup source | Consumption ⁽³⁾ | Wakeup time |
|---------|--------------------------|-----|-------------------|-------------------|----------------|---|--|----------------------------|---------------------------------------|
| Run | MR range 1 | Yes | ON ⁽⁴⁾ | ON | Any | All | N/A | 94 µA/MHz | N/A |
| | MR range2 | | | | | All except USB_FS, RNG | | 85 µA/MHz | |
| LPRun | LPR | Yes | ON ⁽⁴⁾ | ON | Any except PLL | All except USB_FS, RNG | N/A | 95 µA/MHz | to Range 1: 4 µs to Range 2: 64 µs |
| Sleep | MR range 1 | No | ON ⁽⁴⁾ | ON ⁽⁵⁾ | Any | All | Any interrupt or event | 27 µA/MHz | 6 cycles |
| | MR range2 | | | | | All except USB_FS, RNG | | 27 µA/MHz | |
| LPSleep | LPR | No | ON ⁽⁴⁾ | ON ⁽⁵⁾ | Any except PLL | All except USB_FS, RNG | Any interrupt or event | 38 µA/MHz | 6 cycles |
| Stop 0 | MR Range 1 | No | OFF | ON | LSE LSI | BOR, PVD, PVM RTC, IWDG COMPx (x=1,2) DAC1 OPAMPx (x=1) USARTx (x=1...3) ⁽⁶⁾ UART4 ⁽⁶⁾ LPUART1 ⁽⁶⁾ I2Cx (x=1...4) ⁽⁷⁾ LPTIMx (x=1,2) *** All other peripherals are frozen. | Reset pin, all I/Os BOR, PVD, PVM RTC, IWDG COMPx (x=1..2) USARTx (x=1...3) ⁽⁶⁾ UART4 ⁽⁶⁾ LPUART1 ⁽⁶⁾ I2Cx (x=1...4) ⁽⁷⁾ LPTIMx (x=1,2) USB_FS ⁽⁸⁾ | 125 µA | 2.47 µs in SRAM 4.1 µs in Flash |
| | MR Range 2 | | | | | 125 µA | | | |



Table 3. STM32L462xx modes overview (continued)

| Mode | Regulator ⁽¹⁾ | CPU | Flash | SRAM | Clocks | DMA & Peripherals ⁽²⁾ | Wakeup source | Consumption ⁽³⁾ | Wakeup time |
|--------|--------------------------|-----|-------|------|------------|---|--|--|---|
| Stop 1 | LPR | No | Off | ON | LSE LSI | BOR, PVD, PVM RTC, IWDG COMPx (x=1,2) DAC1 OPAMPx (x=1) USARTx (x=1...3) ⁽⁶⁾ UART4 ⁽⁶⁾ LPUART1 ⁽⁶⁾ I2Cx (x=1...4) ⁽⁷⁾ LPTIMx (x=1,2) *** All other peripherals are frozen. | Reset pin, all I/Os BOR, PVD, PVM RTC, IWDG COMPx (x=1..2) USARTx (x=1...3) ⁽⁶⁾ UART4 ⁽⁶⁾ LPUART1 ⁽⁶⁾ I2Cx (x=1...4) ⁽⁷⁾ LPTIMx (x=1,2) USB_FS ⁽⁸⁾ | 9.85 μ A w/o RTC 10.5 μ A w RTC | 5.7 μ s in SRAM 7 μ s in Flash |
| Stop 2 | LPR | No | Off | ON | LSE LSI | BOR, PVD, PVM RTC, IWDG COMPx (x=1..2) I2C3 ⁽⁷⁾ LPUART1 ⁽⁶⁾ LPTIM1 *** All other peripherals are frozen. | Reset pin, all I/Os BOR, PVD, PVM RTC, IWDG COMPx (x=1..2) I2C3 ⁽⁷⁾ LPUART1 ⁽⁶⁾ LPTIM1 | 2.05 μ A w/o RTC 2.30 μ A w/RTC | 5.8 μ s in SRAM 8.3 μ s in Flash |



Table 3. STM32L462xx modes overview (continued)

| Mode | Regulator ⁽¹⁾ | CPU | Flash | SRAM | Clocks | DMA & Peripherals ⁽²⁾ | Wakeup source | Consumption ⁽³⁾ | Wakeup time |
|----------|--------------------------|-----------------|-------|--------------------|------------|--|--|---|--------------|
| Standby | LPR | Power ed Off | Off | SRAM 2 ON | LSE LSI | BOR, RTC, IWDG *** | Reset pin 5 I/Os (WKUPx) ⁽⁹⁾ BOR, RTC, IWDG | 0.35 μ A w/o RTC 0.52 μ A w/ RTC | 16.1 μ s |
| | OFF | | | Power ed Off | | All other peripherals are powered off. *** I/O configuration can be floating, pull-up or pull-down | | 0.10 μ A w/o RTC 0.27 μ A w/ RTC | |
| Shutdown | OFF | Power ed Off | Off | Power ed Off | LSE | RTC *** All other peripherals are powered off. *** I/O configuration can be floating, pull-up or pull- down ⁽¹⁰⁾ | Reset pin 5 I/Os (WKUPx) ⁽⁹⁾ RTC | 0.02 μ A w/o RTC 0.17 μ A w/ RTC | 256 μ s |

1. LPR means Main regulator is OFF and Low-power regulator is ON.
2. All peripherals can be active or clock gated to save power consumption.
3. Typical current at $V_{DD} = 1.8$ V, 25°C. Consumptions values provided running from SRAM, Flash memory Off, 80 MHz in Range 1, 26 MHz in Range 2, 2 MHz in LPRun/LPSleep.
4. The Flash memory can be put in power-down and its clock can be gated off when executing from SRAM.
5. The SRAM1 and SRAM2 clocks can be gated on or off independently.
6. U(S)ART and LPUART reception is functional in Stop mode, and generates a wakeup interrupt on Start, address match or received frame event.
7. I2C address detection is functional in Stop mode, and generates a wakeup interrupt in case of address match.
8. USB_FS wakeup by resume from suspend and attach detection protocol event.
9. The I/Os with wakeup from Standby/Shutdown capability are: PA0, PC13, PE6, PA2, PC5.
10. I/Os can be configured with internal pull-up, pull-down or floating in Shutdown mode but the configuration is lost when exiting the Shutdown mode.

By default, the microcontroller is in Run mode after a system or a power Reset. It is up to the user to select one of the low-power modes described below:

- **Sleep mode**

In Sleep mode, only the CPU is stopped. All peripherals continue to operate and can wake up the CPU when an interrupt/event occurs.

- **Low-power run mode**

This mode is achieved with V_{CORE} supplied by the low-power regulator to minimize the regulator's operating current. The code can be executed from SRAM or from Flash, and the CPU frequency is limited to 2 MHz. The peripherals with independent clock can be clocked by HSI16.

- **Low-power sleep mode**

This mode is entered from the low-power run mode. Only the CPU clock is stopped. When wakeup is triggered by an event or an interrupt, the system reverts to the low-power run mode.

- **Stop 0, Stop 1 and Stop 2 modes**

Stop mode achieves the lowest power consumption while retaining the content of SRAM and registers. All clocks in the V_{CORE} domain are stopped, the PLL, the MSI RC, the HSI16 RC and the HSE crystal oscillators are disabled. The LSE or LSI is still running.

The RTC can remain active (Stop mode with RTC, Stop mode without RTC).

Some peripherals with wakeup capability can enable the HSI16 RC during Stop mode to detect their wakeup condition.

Three Stop modes are available: Stop 0, Stop 1 and Stop 2 modes. In Stop 2 mode, most of the V_{CORE} domain is put in a lower leakage mode.

Stop 1 offers the largest number of active peripherals and wakeup sources, a smaller wakeup time but a higher consumption than Stop 2. In Stop 0 mode, the main regulator remains ON, allowing a very fast wakeup time but with much higher consumption.

The system clock when exiting from Stop 0, Stop 1 or Stop 2 modes can be either MSI up to 48 MHz or HSI16, depending on software configuration.

- **Standby mode**

The Standby mode is used to achieve the lowest power consumption with BOR. The internal regulator is switched off so that the V_{CORE} domain is powered off. The PLL, the MSI RC, the HSI16 RC and the HSE crystal oscillators are also switched off.

The RTC can remain active (Standby mode with RTC, Standby mode without RTC).

The brown-out reset (BOR) always remains active in Standby mode.

The state of each I/O during standby mode can be selected by software: I/O with internal pull-up, internal pull-down or floating.

After entering Standby mode, SRAM1 and register contents are lost except for registers in the Backup domain and Standby circuitry. Optionally, SRAM2 can be retained in Standby mode, supplied by the low-power Regulator (Standby with SRAM2 retention mode).

The device exits Standby mode when an external reset (NRST pin), an IWDG reset, WKUP pin event (configurable rising or falling edge), or an RTC event occurs (alarm, periodic wakeup, timestamp, tamper) or a failure is detected on LSE (CSS on LSE).

The system clock after wakeup is MSI up to 8 MHz.

- **Shutdown mode**

The Shutdown mode allows to achieve the lowest power consumption. The internal regulator is switched off so that the V_{CORE} domain is powered off. The PLL, the HSI16, the MSI, the LSI and the HSE oscillators are also switched off.

The RTC can remain active (Shutdown mode with RTC, Shutdown mode without RTC).

The BOR is not available in Shutdown mode. No power voltage monitoring is possible in this mode, therefore the switch to Backup domain is not supported.

SRAM1, SRAM2 and register contents are lost except for registers in the Backup domain.

The device exits Shutdown mode when an external reset (NRST pin), a WKUP pin event (configurable rising or falling edge), or an RTC event occurs (alarm, periodic wakeup, timestamp, tamper).

The system clock after wakeup is MSI at 4 MHz.

Table 4. Functionalities depending on the working mode⁽¹⁾

| Peripheral | Run | Sleep | Low-power run | Low-power sleep | Stop 0/1 | | Stop 2 | | Standby | | Shutdown | | VBAT |
|--|------------------|------------------|------------------|------------------|----------|-------------------|--------|-------------------|------------------|-------------------|----------|-------------------|------|
| | | | | | - | Wakeup capability | - | Wakeup capability | - | Wakeup capability | - | Wakeup capability | |
| CPU | Y | - | Y | - | - | - | - | - | - | - | - | - | - |
| Flash memory (up to 512 KB) | O ⁽²⁾ | O ⁽²⁾ | O ⁽²⁾ | O ⁽²⁾ | - | - | - | - | - | - | - | - | - |
| SRAM1 (128 KB) | Y | Y ⁽³⁾ | Y | Y ⁽³⁾ | Y | - | Y | - | - | - | - | - | - |
| SRAM2 (32 KB) | Y | Y ⁽³⁾ | Y | Y ⁽³⁾ | Y | - | Y | - | O ⁽⁴⁾ | - | - | - | - |
| Quad SPI | O | O | O | O | - | - | - | - | - | - | - | - | - |
| Backup Registers | Y | Y | Y | Y | Y | - | Y | - | Y | - | Y | - | Y |
| Brown-out reset (BOR) | Y | Y | Y | Y | Y | Y | Y | Y | Y | Y | - | - | - |
| Programmable Voltage Detector (PVD) | O | O | O | O | O | O | O | O | - | - | - | - | - |
| Peripheral Voltage Monitor (PVMx; x=1,3,4) | O | O | O | O | O | O | O | O | - | - | - | - | - |
| DMA | O | O | O | O | - | - | - | - | - | - | - | - | - |
| High Speed Internal (HSI16) | O | O | O | O | (5) | - | (5) | - | - | - | - | - | - |
| Oscillator RC48 | O | O | - | - | - | - | - | - | - | - | - | - | - |
| High Speed External (HSE) | O | O | O | O | - | - | - | - | - | - | - | - | - |
| Low Speed Internal (LSI) | O | O | O | O | O | - | O | - | O | - | - | - | - |
| Low Speed External (LSE) | O | O | O | O | O | - | O | - | O | - | O | - | O |
| Multi-Speed Internal (MSI) | O | O | O | O | - | - | - | - | - | - | - | - | - |
| Clock Security System (CSS) | O | O | O | O | - | - | - | - | - | - | - | - | - |
| Clock Security System on LSE | O | O | O | O | O | O | O | O | O | O | - | - | - |
| RTC / Auto wakeup | O | O | O | O | O | O | O | O | O | O | O | O | O |
| Number of RTC Tamper pins | 3 | 3 | 3 | 3 | 3 | O | 3 | O | 3 | O | 3 | O | 3 |

Table 4. Functionalities depending on the working mode⁽¹⁾ (continued)

| Peripheral | Run | Sleep | Low-power run | Low-power sleep | Stop 0/1 | | Stop 2 | | Standby | | Shutdown | | VBAT |
|--------------------------------|------------------|------------------|---------------|-----------------|------------------|-------------------|------------------|-------------------|---------|-------------------|----------|-------------------|------|
| | | | | | - | Wakeup capability | - | Wakeup capability | - | Wakeup capability | - | Wakeup capability | |
| USARTx (x=1,2,3) UART4 | ○ | ○ | ○ | ○ | ○ ⁽⁶⁾ | ○ ⁽⁶⁾ | - | - | - | - | - | - | - |
| Low-power UART (LPUART) | ○ | ○ | ○ | ○ | ○ ⁽⁶⁾ | ○ ⁽⁶⁾ | ○ ⁽⁶⁾ | ○ ⁽⁶⁾ | - | - | - | - | - |
| I2Cx (x=1,2,4) | ○ | ○ | ○ | ○ | ○ ⁽⁷⁾ | ○ ⁽⁷⁾ | - | - | - | - | - | - | - |
| I2C3 | ○ | ○ | ○ | ○ | ○ ⁽⁷⁾ | ○ ⁽⁷⁾ | ○ ⁽⁷⁾ | ○ ⁽⁷⁾ | - | - | - | - | - |
| SPIx (x=1,2,3) | ○ | ○ | ○ | ○ | - | - | - | - | - | - | - | - | - |
| CAN | ○ | ○ | ○ | ○ | - | - | - | - | - | - | - | - | - |
| SDMMC1 | ○ | ○ | ○ | ○ | - | - | - | - | - | - | - | - | - |
| SAIx (x=1) | ○ | ○ | ○ | ○ | - | - | - | - | - | - | - | - | - |
| DFSDM1 | ○ | ○ | ○ | ○ | - | - | - | - | - | - | - | - | - |
| ADCx (x=1) | ○ | ○ | ○ | ○ | - | - | - | - | - | - | - | - | - |
| DAC1 | ○ | ○ | ○ | ○ | ○ | - | - | - | - | - | - | - | - |
| VREFBUF | ○ | ○ | ○ | ○ | ○ | - | - | - | - | - | - | - | - |
| OPAMPx (x=1) | ○ | ○ | ○ | ○ | ○ | - | - | - | - | - | - | - | - |
| COMPx (x=1,2) | ○ | ○ | ○ | ○ | ○ | ○ | ○ | ○ | - | - | - | - | - |
| Temperature sensor | ○ | ○ | ○ | ○ | - | - | - | - | - | - | - | - | - |
| Timers (TIMx) | ○ | ○ | ○ | ○ | - | - | - | - | - | - | - | - | - |
| Low-power timer 1 (LPTIM1) | ○ | ○ | ○ | ○ | ○ | ○ | ○ | ○ | - | - | - | - | - |
| Low-power timer 2 (LPTIM2) | ○ | ○ | ○ | ○ | ○ | ○ | - | - | - | - | - | - | - |
| Independent watchdog (IWDG) | ○ | ○ | ○ | ○ | ○ | ○ | ○ | ○ | ○ | ○ | - | - | - |
| Window watchdog (WWDG) | ○ | ○ | ○ | ○ | - | - | - | - | - | - | - | - | - |
| SysTick timer | ○ | ○ | ○ | ○ | - | - | - | - | - | - | - | - | - |
| Touch sensing controller (TSC) | ○ | ○ | ○ | ○ | - | - | - | - | - | - | - | - | - |
| Random number generator (RNG) | ○ ⁽⁸⁾ | ○ ⁽⁸⁾ | - | - | - | - | - | - | - | - | - | - | - |

Table 4. Functionalities depending on the working mode⁽¹⁾ (continued)

| Peripheral | Run | Sleep | Low-power run | Low-power sleep | Stop 0/1 | | Stop 2 | | Standby | | Shutdown | | VBAT |
|----------------------|-----|-------|---------------|-----------------|----------|-------------------|--------|-------------------|-----------------------|------------------------|----------|-------------------|------|
| | | | | | - | Wakeup capability | - | Wakeup capability | - | Wakeup capability | - | Wakeup capability | |
| CRC calculation unit | O | O | O | O | - | - | - | - | - | - | - | - | - |
| GPIOs | O | O | O | O | O | O | O | O | (9) 5 pins (10) | (11) 5 pins (10) | - | - | - |

- Legend: Y = Yes (Enable). O = Optional (Disable by default. Can be enabled by software). - = Not available.
- The Flash can be configured in power-down mode. By default, it is not in power-down mode.
- The SRAM clock can be gated on or off.
- SRAM2 content is preserved when the bit RRS is set in PWR_CR3 register.
- Some peripherals with wakeup from Stop capability can request HSI16 to be enabled. In this case, HSI16 is woken up by the peripheral, and only feeds the peripheral which requested it. HSI16 is automatically put off when the peripheral does not need it anymore.
- UART and LPUART reception is functional in Stop mode, and generates a wakeup interrupt on Start, address match or received frame event.
- I2C address detection is functional in Stop mode, and generates a wakeup interrupt in case of address match.
- Voltage scaling Range 1 only.
- I/Os can be configured with internal pull-up, pull-down or floating in Standby mode.
- The I/Os with wakeup from Standby/Shutdown capability are: PA0, PC13, PE6, PA2, PC5.
- I/Os can be configured with internal pull-up, pull-down or floating in Shutdown mode but the configuration is lost when exiting the Shutdown mode.

3.9.5 Reset mode

In order to improve the consumption under reset, the I/Os state under and after reset is “analog state” (the I/O schmitt trigger is disable). In addition, the internal reset pull-up is deactivated when the reset source is internal.

3.9.6 VBAT operation

The VBAT pin allows to power the device VBAT domain from an external battery, an external supercapacitor, or from V_{DD} when no external battery and an external supercapacitor are present. The VBAT pin supplies the RTC with LSE and the backup registers. Three anti-tamper detection pins are available in VBAT mode.

VBAT operation is automatically activated when V_{DD} is not present.

An internal VBAT battery charging circuit is embedded and can be activated when V_{DD} is present.

Note: When the microcontroller is supplied from VBAT, external interrupts and RTC alarm/events do not exit it from VBAT operation.

3.10 Interconnect matrix

Several peripherals have direct connections between them. This allows autonomous communication between peripherals, saving CPU resources thus power supply consumption. In addition, these hardware connections allow fast and predictable latency.

Depending on peripherals, these interconnections can operate in Run, Sleep, low-power run and sleep, Stop 0, Stop 1 and Stop 2 modes.

Table 5. STM32L462xx peripherals interconnect matrix

| Interconnect source | Interconnect destination | Interconnect action | Run | Sleep | Low-power run | Low-power sleep | Stop 0 / Stop 1 | Stop 2 |
|--|--------------------------|--|-----|-------|---------------|-----------------|-----------------|------------------|
| TIMx | TIMx | Timers synchronization or chaining | Y | Y | Y | Y | - | - |
| | ADCx DAC1 DFSDM1 | Conversion triggers | Y | Y | Y | Y | - | - |
| | DMA | Memory to memory transfer trigger | Y | Y | Y | Y | - | - |
| | COMPx | Comparator output blanking | Y | Y | Y | Y | - | - |
| TIM15/TIM16 | IRTIM | Infrared interface output generation | Y | Y | Y | Y | - | - |
| COMPx | TIM1 TIM2 | Timer input channel, trigger, break from analog signals comparison | Y | Y | Y | Y | - | - |
| | LPTIMERx | Low-power timer triggered by analog signals comparison | Y | Y | Y | Y | Y | Y ⁽¹⁾ |
| ADCx | TIM1 | Timer triggered by analog watchdog | Y | Y | Y | Y | - | - |
| RTC | TIM16 | Timer input channel from RTC events | Y | Y | Y | Y | - | - |
| | LPTIMERx | Low-power timer triggered by RTC alarms or tampers | Y | Y | Y | Y | Y | Y ⁽¹⁾ |
| All clocks sources (internal and external) | TIM2 TIM15, 16 | Clock source used as input channel for RC measurement and trimming | Y | Y | Y | Y | - | - |
| CSS CPU (hard fault) RAM (parity error) Flash memory (ECC error) COMPx PVD DFSDM1 (analog watchdog, short circuit detection) | TIM1 TIM15,16 | Timer break | Y | Y | Y | Y | - | - |

Table 5. STM32L462xx peripherals interconnect matrix (continued)

| Interconnect source | Interconnect destination | Interconnect action | Run | Sleep | Low-power run | Low-power sleep | Stop 0 / Stop 1 | Stop 2 |
|---------------------|--------------------------|-----------------------------|-----|-------|---------------|-----------------|-----------------|------------------|
| GPIO | TIMx | External trigger | Y | Y | Y | Y | - | - |
| | LPTIMERx | External trigger | Y | Y | Y | Y | Y | Y ⁽¹⁾ |
| | ADCx DAC1 DFSDM1 | Conversion external trigger | Y | Y | Y | Y | - | - |

1. LPTIM1 only.

3.11 Clocks and startup

The clock controller (see [Figure 4](#)) distributes the clocks coming from different oscillators to the core and the peripherals. It also manages clock gating for low-power modes and ensures clock robustness. It features:

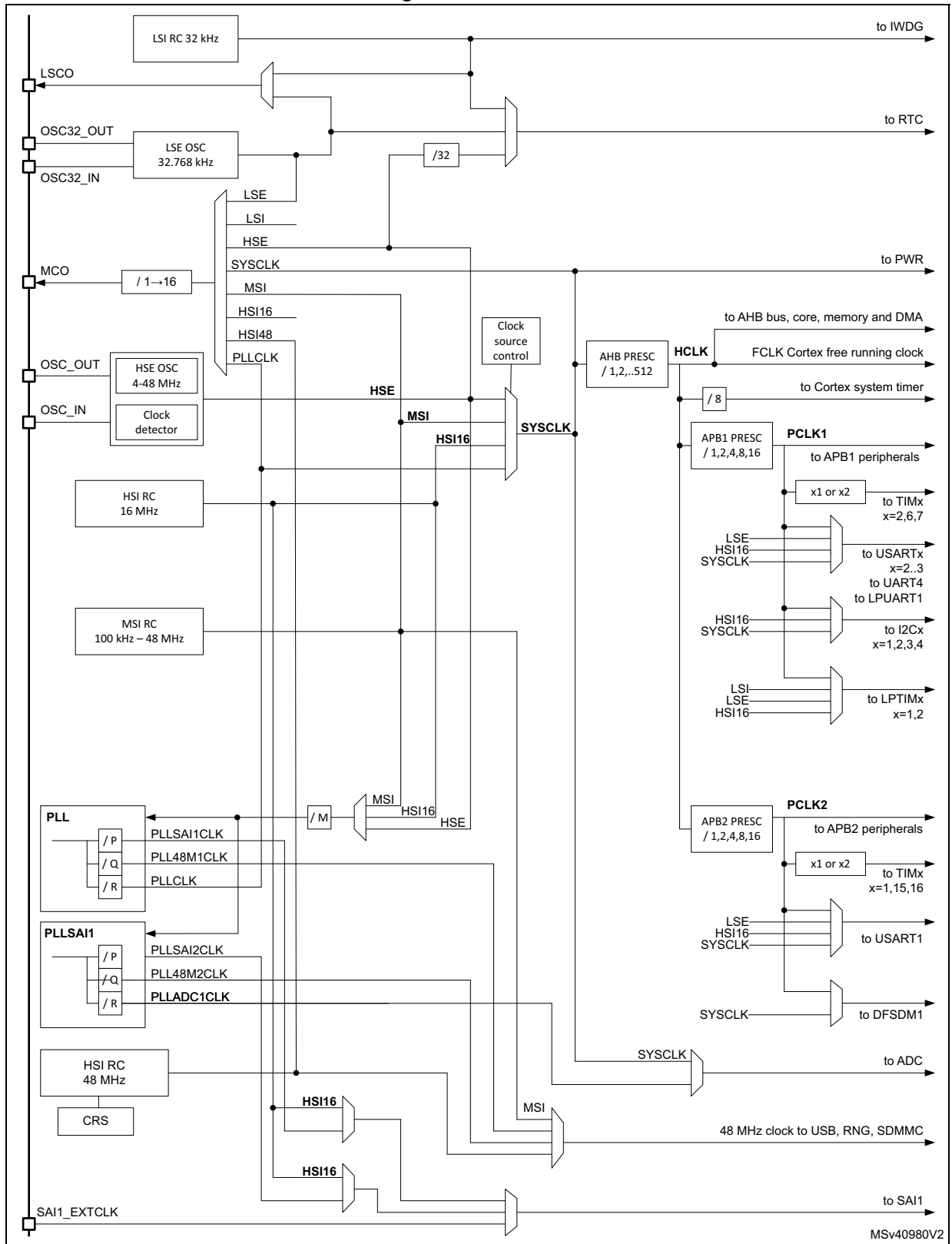
- **Clock prescaler:** to get the best trade-off between speed and current consumption, the clock frequency to the CPU and peripherals can be adjusted by a programmable prescaler
- **Safe clock switching:** clock sources can be changed safely on the fly in run mode through a configuration register.
- **Clock management:** to reduce power consumption, the clock controller can stop the clock to the core, individual peripherals or memory.
- **System clock source:** four different clock sources can be used to drive the master clock SYSCLK:
 - 4-48 MHz high-speed external crystal or ceramic resonator (HSE), that can supply a PLL. The HSE can also be configured in bypass mode for an external clock.
 - 16 MHz high-speed internal RC oscillator (HSI16), trimmable by software, that can supply a PLL
 - Multispeed internal RC oscillator (MSI), trimmable by software, able to generate 12 frequencies from 100 kHz to 48 MHz. When a 32.768 kHz clock source is available in the system (LSE), the MSI frequency can be automatically trimmed by hardware to reach better than $\pm 0.25\%$ accuracy. The MSI can supply a PLL.
 - System PLL which can be fed by HSE, HSI16 or MSI, with a maximum frequency at 80 MHz.
- **RC48 with clock recovery system (HSI48):** internal RC48 MHz clock source can be used to drive the SDMMC or the RNG peripherals. This clock can be output on the MCO.
- **Auxiliary clock source:** two ultralow-power clock sources that can be used to drive the real-time clock:
 - 32.768 kHz low-speed external crystal (LSE), supporting four drive capability modes. The LSE can also be configured in bypass mode for an external clock.
 - 32 kHz low-speed internal RC (LSI), also used to drive the independent watchdog. The LSI clock accuracy is $\pm 5\%$ accuracy.
- **Peripheral clock sources:** Several peripherals (SDMMC, RNG, SAI, USARTs, I2Cs, LPTimers, ADC) have their own independent clock whatever the system clock. Two PLLs, each having three independent outputs allowing the highest flexibility, can generate independent clocks for the ADC, the SDMMC/RNG and the SAI.
- **Startup clock:** after reset, the microcontroller restarts by default with an internal 4 MHz clock (MSI). The prescaler ratio and clock source can be changed by the application program as soon as the code execution starts.
- **Clock security system (CSS):** this feature can be enabled by software. If a HSE clock failure occurs, the master clock is automatically switched to HSI16 and a software

interrupt is generated if enabled. LSE failure can also be detected and generated an interrupt.

- Clock-out capability:
 - **MCO: microcontroller clock output:** it outputs one of the internal clocks for external use by the application. Low frequency clocks (LSI, LSE) are available down to Stop 1 low power state.
 - **LSCO: low speed clock output:** it outputs LSI or LSE in all low-power modes down to Standby mode. LSE can also be output on LSCO in Shutdown mode. LSCO is not available in VBAT mode.

Several prescalers allow to configure the AHB frequency, the high speed APB (APB2) and the low speed APB (APB1) domains. The maximum frequency of the AHB and the APB domains is 80 MHz.

Figure 4. Clock tree



3.12 General-purpose inputs/outputs (GPIOs)

Each of the GPIO pins can be configured by software as output (push-pull or open-drain), as input (with or without pull-up or pull-down) or as peripheral alternate function. Most of the GPIO pins are shared with digital or analog alternate functions. Fast I/O toggling can be achieved thanks to their mapping on the AHB2 bus.

The I/Os alternate function configuration can be locked if needed following a specific sequence in order to avoid spurious writing to the I/Os registers.

3.13 Direct memory access controller (DMA)

The device embeds 2 DMAs. Refer to [Table 6: DMA implementation](#) for the features implementation.

Direct memory access (DMA) is used in order to provide high-speed data transfer between peripherals and memory as well as memory to memory. Data can be quickly moved by DMA without any CPU actions. This keeps CPU resources free for other operations.

The two DMA controllers have 14 channels in total, each dedicated to managing memory access requests from one or more peripherals. Each has an arbiter for handling the priority between DMA requests.

The DMA supports:

- 14 independently configurable channels (requests)
- Each channel is connected to dedicated hardware DMA requests, software trigger is also supported on each channel. This configuration is done by software.
- Priorities between requests from channels of one DMA are software programmable (4 levels consisting of very high, high, medium, low) or hardware in case of equality (request 1 has priority over request 2, etc.)
- Independent source and destination transfer size (byte, half word, word), emulating packing and unpacking. Source/destination addresses must be aligned on the data size.
- Support for circular buffer management
- 3 event flags (DMA Half Transfer, DMA Transfer complete and DMA Transfer Error) logically ORed together in a single interrupt request for each channel
- Memory-to-memory transfer
- Peripheral-to-memory and memory-to-peripheral, and peripheral-to-peripheral transfers
- Access to Flash, SRAM, APB and AHB peripherals as source and destination
- Programmable number of data to be transferred: up to 65536.

Table 6. DMA implementation

| DMA features | DMA1 | DMA2 |
|----------------------------|------|------|
| Number of regular channels | 7 | 7 |

3.14 Interrupts and events

3.14.1 Nested vectored interrupt controller (NVIC)

The devices embed a nested vectored interrupt controller able to manage 16 priority levels, and handle up to 67 maskable interrupt channels plus the 16 interrupt lines of the Cortex[®]-M4.

The NVIC benefits are the following:

- Closely coupled NVIC gives low latency interrupt processing
- Interrupt entry vector table address passed directly to the core
- Allows early processing of interrupts
- Processing of late arriving higher priority interrupts
- Support for tail chaining
- Processor state automatically saved on interrupt entry, and restored on interrupt exit, with no instruction overhead

The NVIC hardware block provides flexible interrupt management features with minimal interrupt latency.

3.14.2 Extended interrupt/event controller (EXTI)

The extended interrupt/event controller consists of 37 edge detector lines used to generate interrupt/event requests and wake-up the system from Stop mode. Each external line can be independently configured to select the trigger event (rising edge, falling edge, both) and can be masked independently. A pending register maintains the status of the interrupt requests. The internal lines are connected to peripherals with wakeup from Stop mode capability. The EXTI can detect an external line with a pulse width shorter than the internal clock period. Up to 83 GPIOs can be connected to the 16 external interrupt lines.

3.15 Analog to digital converter (ADC)

The device embeds a successive approximation analog-to-digital converter with the following features:

- 12-bit native resolution, with built-in calibration
- 5.33 Msps maximum conversion rate with full resolution
 - Down to 18.75 ns sampling time
 - Increased conversion rate for lower resolution (up to 8.88 Msps for 6-bit resolution)
- Up to 16 external channels.
- 4 internal channels: internal reference voltage, temperature sensor, VBAT/3 and DAC1_OUT1.
- One external reference pin is available on some package, allowing the input voltage range to be independent from the power supply
- Single-ended and differential mode inputs
- Low-power design
 - Capable of low-current operation at low conversion rate (consumption decreases linearly with speed)
 - Dual clock domain architecture: ADC speed independent from CPU frequency
- Highly versatile digital interface
 - Single-shot or continuous/discontinuous sequencer-based scan mode: 2 groups of analog signals conversions can be programmed to differentiate background and high-priority real-time conversions
 - ADC supports multiple trigger inputs for synchronization with on-chip timers and external signals
 - Results stored into data register or in RAM with DMA controller support
 - Data pre-processing: left/right alignment and per channel offset compensation
 - Built-in oversampling unit for enhanced SNR
 - Channel-wise programmable sampling time
 - Three analog watchdog for automatic voltage monitoring, generating interrupts and trigger for selected timers
 - Hardware assistant to prepare the context of the injected channels to allow fast context switching

3.15.1 Temperature sensor

The temperature sensor (TS) generates a voltage V_{TS} that varies linearly with temperature.

The temperature sensor is internally connected to the ADC1_IN17 input channel which is used to convert the sensor output voltage into a digital value.

The sensor provides good linearity but it has to be calibrated to obtain good overall accuracy of the temperature measurement. As the offset of the temperature sensor varies from chip to chip due to process variation, the uncalibrated internal temperature sensor is suitable for applications that detect temperature changes only.

To improve the accuracy of the temperature sensor measurement, each device is individually factory-calibrated by ST. The temperature sensor factory calibration data are stored by ST in the system memory area, accessible in read-only mode.

Table 7. Temperature sensor calibration values

| Calibration value name | Description | Memory address |
|------------------------|--|---------------------------|
| TS_CAL1 | TS ADC raw data acquired at a temperature of 30 °C (± 5 °C), $V_{DDA} = V_{REF+} = 3.0\text{ V} (\pm 10\text{ mV})$ | 0x1FFF 75A8 - 0x1FFF 75A9 |
| TS_CAL2 | TS ADC raw data acquired at a temperature of 130 °C (± 5 °C), $V_{DDA} = V_{REF+} = 3.0\text{ V} (\pm 10\text{ mV})$ | 0x1FFF 75CA - 0x1FFF 75CB |

3.15.2 Internal voltage reference (V_{REFINT})

The internal voltage reference (V_{REFINT}) provides a stable (bandgap) voltage output for the ADC and Comparators. V_{REFINT} is internally connected to the ADC1_IN0 input channel. The precise voltage of V_{REFINT} is individually measured for each part by ST during production test and stored in the system memory area. It is accessible in read-only mode.

Table 8. Internal voltage reference calibration values

| Calibration value name | Description | Memory address |
|------------------------|--|---------------------------|
| VREFINT | Raw data acquired at a temperature of 30 °C (± 5 °C), $V_{DDA} = V_{REF+} = 3.0\text{ V} (\pm 10\text{ mV})$ | 0x1FFF 75AA - 0x1FFF 75AB |

3.15.3 V_{BAT} battery voltage monitoring

This embedded hardware feature allows the application to measure the V_{BAT} battery voltage using the internal ADC channel ADC1_IN18 or ADC3_IN18. As the V_{BAT} voltage may be higher than V_{DDA} , and thus outside the ADC input range, the V_{BAT} pin is internally connected to a bridge divider by 3. As a consequence, the converted digital value is one third the V_{BAT} voltage.

3.16 Digital to analog converter (DAC)

One 12-bit buffered DAC channel can be used to convert digital signals into analog voltage signal outputs. The chosen design structure is composed of integrated resistor strings and an amplifier in inverting configuration.

This digital interface supports the following features:

- Up to two DAC output channels
- 8-bit or 12-bit output mode
- Buffer offset calibration (factory and user trimming)
- Left or right data alignment in 12-bit mode
- Synchronized update capability
- Noise-wave generation
- Triangular-wave generation
- Dual DAC channel independent or simultaneous conversions
- DMA capability for each channel
- External triggers for conversion
- Sample and hold low-power mode, with internal or external capacitor

The DAC channels are triggered through the timer update outputs that are also connected to different DMA channels.

3.17 Voltage reference buffer (VREFBUF)

The STM32L462xx devices embed an voltage reference buffer which can be used as voltage reference for ADCs, DAC and also as voltage reference for external components through the VREF+ pin.

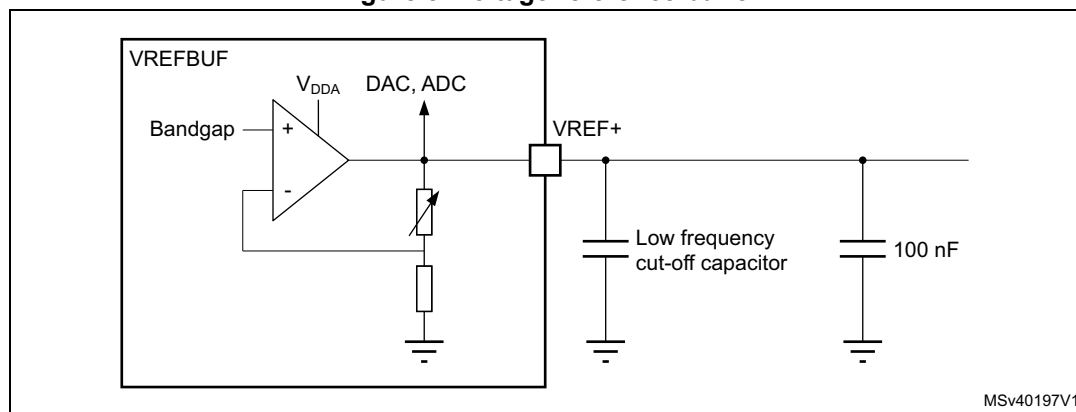
The internal voltage reference buffer supports two voltages:

- 2.048 V
- 2.5 V

An external voltage reference can be provided through the VREF+ pin when the internal voltage reference buffer is off.

The VREF+ pin is double-bonded with VDDA on some packages. In these packages the internal voltage reference buffer is not available.

Figure 5. Voltage reference buffer



MSv40197V1

3.18 Comparators (COMP)

The STM32L462xx devices embed two rail-to-rail comparators with programmable reference voltage (internal or external), hysteresis and speed (low speed for low-power) and with selectable output polarity.

The reference voltage can be one of the following:

- External I/O
- DAC output channels
- Internal reference voltage or submultiple (1/4, 1/2, 3/4).

All comparators can wake up from Stop mode, generate interrupts and breaks for the timers and can be also combined into a window comparator.

3.19 Operational amplifier (OPAMP)

The STM32L462xx embeds one operational amplifier with external or internal follower routing and PGA capability.

The operational amplifier features:

- Low input bias current
- Low offset voltage
- Low-power mode
- Rail-to-rail input

3.20 Touch sensing controller (TSC)

The touch sensing controller provides a simple solution for adding capacitive sensing functionality to any application. Capacitive sensing technology is able to detect finger presence near an electrode which is protected from direct touch by a dielectric (glass, plastic, ...). The capacitive variation introduced by the finger (or any conductive object) is measured using a proven implementation based on a surface charge transfer acquisition principle.

The touch sensing controller is fully supported by the STMTouch touch sensing firmware library which is free to use and allows touch sensing functionality to be implemented reliably in the end application.

The main features of the touch sensing controller are the following:

- Proven and robust surface charge transfer acquisition principle
- Supports up to 21 capacitive sensing channels
- Up to 3 capacitive sensing channels can be acquired in parallel offering a very good response time
- Spread spectrum feature to improve system robustness in noisy environments
- Full hardware management of the charge transfer acquisition sequence
- Programmable charge transfer frequency
- Programmable sampling capacitor I/O pin
- Programmable channel I/O pin
- Programmable max count value to avoid long acquisition when a channel is faulty
- Dedicated end of acquisition and max count error flags with interrupt capability
- One sampling capacitor for up to 3 capacitive sensing channels to reduce the system components
- Compatible with proximity, touchkey, linear and rotary touch sensor implementation
- Designed to operate with STMTouch touch sensing firmware library

Note: The number of capacitive sensing channels is dependent on the size of the packages and subject to I/O availability.

3.21 Digital filter for Sigma-Delta Modulators (DFSDM)

The device embeds one DFSDM with 2 digital filters modules and 4 external input serial channels (transceivers) or alternately 4 internal parallel inputs support.

The DFSDM peripheral is dedicated to interface the external $\Sigma\Delta$ modulators to microcontroller and then to perform digital filtering of the received data streams (which represent analog value on $\Sigma\Delta$ modulators inputs). DFSDM can also interface PDM (Pulse Density Modulation) microphones and perform PDM to PCM conversion and filtering in

hardware. DFSDM features optional parallel data stream inputs from microcontrollers memory (through DMA/CPU transfers into DFSDM).

DFSDM transceivers support several serial interface formats (to support various $\Sigma\Delta$ modulators). DFSDM digital filter modules perform digital processing according user selected filter parameters with up to 24-bit final ADC resolution.

The DFSDM peripheral supports:

- 4 multiplexed input digital serial channels:
 - configurable SPI interface to connect various SD modulator(s)
 - configurable Manchester coded 1 wire interface support
 - PDM (Pulse Density Modulation) microphone input support
 - maximum input clock frequency up to 20 MHz (10 MHz for Manchester coding)
 - clock output for SD modulator(s): 0..20 MHz
- alternative inputs from 8 internal digital parallel channels (up to 16 bit input resolution):
 - internal sources: device memory data streams (DMA)
- 2 digital filter modules with adjustable digital signal processing:
 - Sinc^X filter: filter order/type (1..5), oversampling ratio (up to 1..1024)
 - integrator: oversampling ratio (1..256)
- up to 24-bit output data resolution, signed output data format
- automatic data offset correction (offset stored in register by user)
- continuous or single conversion
- start-of-conversion triggered by:
 - software trigger
 - internal timers
 - external events
 - start-of-conversion synchronously with first digital filter module (DFSDM1_FLT0)
- analog watchdog feature:
 - low value and high value data threshold registers
 - dedicated configurable Sincx digital filter (order = 1..3, oversampling ratio = 1..32)
 - input from final output data or from selected input digital serial channels
 - continuous monitoring independently from standard conversion
- short circuit detector to detect saturated analog input values (bottom and top range):
 - up to 8-bit counter to detect 1..256 consecutive 0's or 1's on serial data stream
 - monitoring continuously each input serial channel
- break signal generation on analog watchdog event or on short circuit detector event
- extremes detector:
 - storage of minimum and maximum values of final conversion data
 - refreshed by software
- DMA capability to read the final conversion data
- interrupts: end of conversion, overrun, analog watchdog, short circuit, input serial channel clock absence
- “regular” or “injected” conversions:
 - “regular” conversions can be requested at any time or even in continuous mode

- without having any impact on the timing of “injected” conversions
- “injected” conversions for precise timing and with high conversion priority

Table 9. DFSDM1 implementation

| DFSDM features | DFSDM1 |
|---------------------------|--------|
| Number of channels | 8 |
| Number of filters | 4 |
| Input from internal ADC | - |
| Supported trigger sources | 10 |
| Pulses skipper | - |
| ID registers support | - |

3.22 Random number generator (RNG)

All devices embed an RNG that delivers 32-bit random numbers generated by an integrated analog circuit.

3.23 Advanced encryption standard hardware accelerator (AES)

The devices embed an AES hardware accelerator can be used to both encipher and decipher data using AES algorithm.

The AES peripheral supports:

- Encryption/Decryption using AES Rijndael Block Cipher algorithm
- NIST FIPS 197 compliant implementation of AES encryption/decryption algorithm
- 128-bit and 256-bit register for storing the encryption, decryption or derivation key (4x 32-bit registers)
- Electronic codebook (ECB), Cipher block chaining (CBC), Counter mode (CTR), Galois Counter Mode (GCM), Galois Message Authentication Code mode (GMAC) and Cipher Message Authentication Code mode (CMAC) supported.
- Key scheduler
- Key derivation for decryption
- 128-bit data block processing
- 128-bit, 256-bit key length
- 1x32-bit INPUT buffer and 1x32-bit OUTPUT buffer.
- Register access supporting 32-bit data width only.
- One 128-bit Register for the initialization vector when AES is configured in CBC mode or for the 32-bit counter initialization when CTR mode is selected, GCM mode or CMAC mode.
- Automatic data flow control with support of direct memory access (DMA) using 2 channels, one for incoming data, and one for outgoing data.
- Suspend a message if another message with a higher priority needs to be processed

3.24 Timers and watchdogs

The STM32L462xx includes one advanced control timers, up to five general-purpose timers, two basic timers, two low-power timers, two watchdog timers and a SysTick timer. The table below compares the features of the advanced control, general purpose and basic timers.

Table 10. Timer feature comparison

| Timer type | Timer | Counter resolution | Counter type | Prescaler factor | DMA request generation | Capture/compare channels | Complementary outputs |
|------------------|-------|--------------------|-------------------|---------------------------------|------------------------|--------------------------|-----------------------|
| Advanced control | TIM1 | 16-bit | Up, down, Up/down | Any integer between 1 and 65536 | Yes | 4 | 3 |
| General-purpose | TIM2 | 32-bit | Up, down, Up/down | Any integer between 1 and 65536 | Yes | 4 | No |
| General-purpose | TIM3 | 16-bit | Up, down, Up/down | Any integer between 1 and 65536 | Yes | 4 | No |
| General-purpose | TIM15 | 16-bit | Up | Any integer between 1 and 65536 | Yes | 2 | 1 |
| General-purpose | TIM16 | 16-bit | Up | Any integer between 1 and 65536 | Yes | 1 | 1 |
| Basic | TIM6 | 16-bit | Up | Any integer between 1 and 65536 | Yes | 0 | No |

3.24.1 Advanced-control timer (TIM1)

The advanced-control timer can each be seen as a three-phase PWM multiplexed on 6 channels. They have complementary PWM outputs with programmable inserted dead-times. They can also be seen as complete general-purpose timers. The 4 independent channels can be used for:

- Input capture
- Output compare
- PWM generation (edge or center-aligned modes) with full modulation capability (0-100%)
- One-pulse mode output

In debug mode, the advanced-control timer counter can be frozen and the PWM outputs disabled to turn off any power switches driven by these outputs.

Many features are shared with those of the general-purpose TIMx timers (described in [Section 3.24.2](#)) using the same architecture, so the advanced-control timer can work together with the TIMx timers via the Timer Link feature for synchronization or event chaining.

3.24.2 General-purpose timers (TIM2, TIM3, TIM15, TIM16)

There are up to three synchronizable general-purpose timers embedded in the STM32L462xx (see [Table 10](#) for differences). Each general-purpose timer can be used to generate PWM outputs, or act as a simple time base.

- TIM2, TIM3

They are full-featured general-purpose timers:

- TIM2 has a 32-bit auto-reload up/downcounter and 32-bit prescaler.
- TIM3 has 16-bit auto-reload up/downcounter and 16-bit prescaler.

These timers feature 4 independent channels for input capture/output compare, PWM or one-pulse mode output. They can work with the other general-purpose timers via the Timer Link feature for synchronization or event chaining.

The counters can be frozen in debug mode.

All have independent DMA request generation and support quadrature encoder.

- TIM15 and 16

They are general-purpose timers with mid-range features:

They have 16-bit auto-reload upcounters and 16-bit prescalers.

- TIM15 has 2 channels and 1 complementary channel
- TIM16 has 1 channel and 1 complementary channel

All channels can be used for input capture/output compare, PWM or one-pulse mode output.

The timers can work together via the Timer Link feature for synchronization or event chaining. The timers have independent DMA request generation.

The counters can be frozen in debug mode.

3.24.3 Basic timer (TIM6)

The basic timer is mainly used for DAC trigger generation. It can also be used as generic 16-bit timebase.

3.24.4 Low-power timer (LPTIM1 and LPTIM2)

The devices embed two low-power timers. These timers have an independent clock and are running in Stop mode if they are clocked by LSE, LSI or an external clock. They are able to wakeup the system from Stop mode.

LPTIM1 is active in Stop 0, Stop 1 and Stop 2 modes.

LPTIM2 is active in Stop 0 and Stop 1 mode.

This low-power timer supports the following features:

- 16-bit up counter with 16-bit autoreload register
- 16-bit compare register
- Configurable output: pulse, PWM
- Continuous/ one shot mode
- Selectable software/hardware input trigger
- Selectable clock source
 - Internal clock sources: LSE, LSI, HSI16 or APB clock
 - External clock source over LPTIM input (working even with no internal clock source running, used by pulse counter application).
- Programmable digital glitch filter
- Encoder mode (LPTIM1 only)

3.24.5 Infrared interface (IRTIM)

The STM32L462xx includes one infrared interface (IRTIM). It can be used with an infrared LED to perform remote control functions. It uses TIM15 and TIM16 output channels to generate output signal waveforms on IR_OUT pin.

3.24.6 Independent watchdog (IWDG)

The independent watchdog is based on a 12-bit downcounter and 8-bit prescaler. It is clocked from an independent 32 kHz internal RC (LSI) and as it operates independently from the main clock, it can operate in Stop and Standby modes. It can be used either as a watchdog to reset the device when a problem occurs, or as a free running timer for application timeout management. It is hardware or software configurable through the option bytes. The counter can be frozen in debug mode.

3.24.7 System window watchdog (WWDG)

The window watchdog is based on a 7-bit downcounter that can be set as free running. It can be used as a watchdog to reset the device when a problem occurs. It is clocked from the main clock. It has an early warning interrupt capability and the counter can be frozen in debug mode.

3.24.8 SysTick timer

This timer is dedicated to real-time operating systems, but could also be used as a standard down counter. It features:

- A 24-bit down counter
- Autoreload capability
- Maskable system interrupt generation when the counter reaches 0.
- Programmable clock source

3.25 Real-time clock (RTC) and backup registers

The RTC is an independent BCD timer/counter. It supports the following features:

- Calendar with subsecond, seconds, minutes, hours (12 or 24 format), week day, date, month, year, in BCD (binary-coded decimal) format.
- Automatic correction for 28, 29 (leap year), 30, and 31 days of the month.
- Two programmable alarms.
- On-the-fly correction from 1 to 32767 RTC clock pulses. This can be used to synchronize it with a master clock.
- Reference clock detection: a more precise second source clock (50 or 60 Hz) can be used to enhance the calendar precision.
- Digital calibration circuit with 0.95 ppm resolution, to compensate for quartz crystal inaccuracy.
- Three anti-tamper detection pins with programmable filter.
- Timestamp feature which can be used to save the calendar content. This function can be triggered by an event on the timestamp pin, or by a tamper event, or by a switch to VBAT mode.
- 17-bit auto-reload wakeup timer (WUT) for periodic events with programmable resolution and period.

The RTC and the 32 backup registers are supplied through a switch that takes power either from the V_{DD} supply when present or from the VBAT pin.

The backup registers are 32-bit registers used to store 128 bytes of user application data when V_{DD} power is not present. They are not reset by a system or power reset, or when the device wakes up from Standby or Shutdown mode.

The RTC clock sources can be:

- A 32.768 kHz external crystal (LSE)
- An external resonator or oscillator (LSE)
- The internal low power RC oscillator (LSI, with typical frequency of 32 kHz)
- The high-speed external clock (HSE) divided by 32.

The RTC is functional in VBAT mode and in all low-power modes when it is clocked by the LSE. When clocked by the LSI, the RTC is not functional in VBAT mode, but is functional in all low-power modes except Shutdown mode.

All RTC events (Alarm, WakeUp Timer, Timestamp or Tamper) can generate an interrupt and wakeup the device from the low-power modes.

3.26 Inter-integrated circuit interface (I²C)

The device embeds four I2C. Refer to [Table 11: I2C implementation](#) for the features implementation.

The I²C bus interface handles communications between the microcontroller and the serial I²C bus. It controls all I²C bus-specific sequencing, protocol, arbitration and timing.

The I2C peripheral supports:

- I²C-bus specification and user manual rev. 5 compatibility:
 - Slave and master modes, multimaster capability
 - Standard-mode (Sm), with a bitrate up to 100 kbit/s
 - Fast-mode (Fm), with a bitrate up to 400 kbit/s
 - Fast-mode Plus (Fm+), with a bitrate up to 1 Mbit/s and 20 mA output drive I/Os
 - 7-bit and 10-bit addressing mode, multiple 7-bit slave addresses
 - Programmable setup and hold times
 - Optional clock stretching
- System Management Bus (SMBus) specification rev 2.0 compatibility:
 - Hardware PEC (Packet Error Checking) generation and verification with ACK control
 - Address resolution protocol (ARP) support
 - SMBus alert
- Power System Management Protocol (PMBus™) specification rev 1.1 compatibility
- Independent clock: a choice of independent clock sources allowing the I2C communication speed to be independent from the PCLK reprogramming. Refer to [Figure 4: Clock tree](#).
- Wakeup from Stop mode on address match
- Programmable analog and digital noise filters
- 1-byte buffer with DMA capability

Table 11. I2C implementation

| I2C features ⁽¹⁾ | I2C1 | I2C2 | I2C3 | I2C4 |
|---|------|------|------|------|
| Standard-mode (up to 100 kbit/s) | X | X | X | X |
| Fast-mode (up to 400 kbit/s) | X | X | X | X |
| Fast-mode Plus with 20mA output drive I/Os (up to 1 Mbit/s) | X | X | X | X |
| Programmable analog and digital noise filters | X | X | X | X |
| SMBus/PMBus hardware support | X | X | X | X |
| Independent clock | X | X | X | X |
| Wakeup from Stop 1 mode on address match | X | X | X | X |
| Wakeup from Stop 2 mode on address match | - | - | X | - |

1. X: supported

3.27 Universal synchronous/asynchronous receiver transmitter (USART)

The STM32L462xx devices have three embedded universal synchronous receiver transmitters (USART1, USART2 and USART3) and one universal asynchronous receiver transmitters (UART4).

These interfaces provide asynchronous communication, IrDA SIR ENDEC support, multiprocessor communication mode, single-wire half-duplex communication mode and have LIN Master/Slave capability. They provide hardware management of the CTS and RTS signals, and RS485 Driver Enable. They are able to communicate at speeds of up to 10Mbit/s.

USART1, USART2 and USART3 also provide Smart Card mode (ISO 7816 compliant) and SPI-like communication capability.

All USART have a clock domain independent from the CPU clock, allowing the USARTx (x=1,2,3,4) to wake up the MCU from Stop mode using baudrates up to 204 Kbaud. The wake up events from Stop mode are programmable and can be:

- Start bit detection
- Any received data frame
- A specific programmed data frame

All USART interfaces can be served by the DMA controller.

Table 12. STM32L462xx USART/UART/LPUART features

| USART modes/features ⁽¹⁾ | USART1 | USART2 | USART3 | UART4 | LPUART1 |
|---------------------------------------|-----------------|--------|--------|-------|---------|
| Hardware flow control for modem | X | X | X | X | X |
| Continuous communication using DMA | X | X | X | X | X |
| Multiprocessor communication | X | X | X | X | X |
| Synchronous mode | X | X | X | - | - |
| Smartcard mode | X | X | X | - | - |
| Single-wire half-duplex communication | X | X | X | X | X |
| IrDA SIR ENDEC block | X | X | X | X | - |
| LIN mode | X | X | X | X | - |
| Dual clock domain | X | X | X | X | X |
| Wakeup from Stop 0 / Stop 1 modes | X | X | X | X | X |
| Wakeup from Stop 2 mode | - | - | - | - | X |
| Receiver timeout interrupt | X | X | X | X | - |
| Modbus communication | X | X | X | X | - |
| Auto baud rate detection | X (4 modes) | | | | - |
| Driver Enable | X | X | X | X | X |
| LPUART/USART data length | 7, 8 and 9 bits | | | | |

1. X = supported.

3.28 Low-power universal asynchronous receiver transmitter (LPUART)

The device embeds one Low-Power UART. The LPUART supports asynchronous serial communication with minimum power consumption. It supports half duplex single wire communication and modem operations (CTS/RTS). It allows multiprocessor communication.

The LPUART has a clock domain independent from the CPU clock, and can wakeup the system from Stop mode using baudrates up to 220 Kbaud. The wake up events from Stop mode are programmable and can be:

- Start bit detection
- Any received data frame
- A specific programmed data frame

Only a 32.768 kHz clock (LSE) is needed to allow LPUART communication up to 9600 baud. Therefore, even in Stop mode, the LPUART can wait for an incoming frame while having an extremely low energy consumption. Higher speed clock can be used to reach higher baudrates.

LPUART interface can be served by the DMA controller.

3.29 Serial peripheral interface (SPI)

Three SPI interfaces allow communication up to 40 Mbits/s in master and up to 24 Mbits/s slave modes, in half-duplex, full-duplex and simplex modes. The 3-bit prescaler gives 8 master mode frequencies and the frame size is configurable from 4 bits to 16 bits. The SPI interfaces support NSS pulse mode, TI mode and Hardware CRC calculation.

All SPI interfaces can be served by the DMA controller.

3.30 Serial audio interfaces (SAI)

The device embeds 1 SAI. Refer to [Table 13: SAI implementation](#) for the features implementation. The SAI bus interface handles communications between the microcontroller and the serial audio protocol.

The SAI peripheral supports:

- Two independent audio sub-blocks which can be transmitters or receivers with their respective FIFO.
- 8-word integrated FIFOs for each audio sub-block.
- Synchronous or asynchronous mode between the audio sub-blocks.
- Master or slave configuration independent for both audio sub-blocks.
- Clock generator for each audio block to target independent audio frequency sampling when both audio sub-blocks are configured in master mode.
- Data size configurable: 8-, 10-, 16-, 20-, 24-, 32-bit.
- Peripheral with large configurability and flexibility allowing to target as example the following audio protocol: I2S, LSB or MSB-justified, PCM/DSP, TDM, AC'97 and SPDIF out.
- Up to 16 slots available with configurable size and with the possibility to select which ones are active in the audio frame.
- Number of bits by frame may be configurable.
- Frame synchronization active level configurable (offset, bit length, level).
- First active bit position in the slot is configurable.
- LSB first or MSB first for data transfer.
- Mute mode.
- Stereo/Mono audio frame capability.
- Communication clock strobing edge configurable (SCK).
- Error flags with associated interrupts if enabled respectively.
 - Overrun and underrun detection.
 - Anticipated frame synchronization signal detection in slave mode.
 - Late frame synchronization signal detection in slave mode.
 - Codec not ready for the AC'97 mode in reception.
- Interruption sources when enabled:
 - Errors.
 - FIFO requests.
- DMA interface with 2 dedicated channels to handle access to the dedicated integrated FIFO of each SAI audio sub-block.

Table 13. SAI implementation

| SAI features | Support ⁽¹⁾ |
|--|------------------------|
| I2S, LSB or MSB-justified, PCM/DSP, TDM, AC'97 | X |
| Mute mode | X |
| Stereo/Mono audio frame capability. | X |
| 16 slots | X |
| Data size configurable: 8-, 10-, 16-, 20-, 24-, 32-bit | X |
| FIFO Size | X (8 Word) |
| SPDIF | X |

1. X: supported

3.31 Controller area network (CAN)

The CAN is compliant with specifications 2.0A and B (active) with a bit rate up to 1 Mbit/s. It can receive and transmit standard frames with 11-bit identifiers as well as extended frames with 29-bit identifiers. It has three transmit mailboxes, two receive FIFOs with 3 stages and 14 scalable filter banks.

The CAN peripheral supports:

- Supports CAN protocol version 2.0 A, B Active
- Bit rates up to 1 Mbit/s
- Transmission
 - Three transmit mailboxes
 - Configurable transmit priority
- Reception
 - Two receive FIFOs with three stages
 - 14 Scalable filter banks
 - Identifier list feature
 - Configurable FIFO overrun
- Time-triggered communication option
 - Disable automatic retransmission mode
 - 16-bit free running timer
 - Time Stamp sent in last two data bytes
- Management
 - Maskable interrupts
 - Software-efficient mailbox mapping at a unique address space

3.32 Secure digital input/output and MultiMediaCards Interface (SDMMC)

The card host interface (SDMMC) provides an interface between the APB peripheral bus and MultiMediaCards (MMCs), SD memory cards and SDIO cards.

The SDMMC features include the following:

- Full compliance with MultiMediaCard System Specification Version 4.2. Card support for three different databus modes: 1-bit (default), 4-bit and 8-bit
- Full compatibility with previous versions of MultiMediaCards (forward compatibility)
- Full compliance with SD Memory Card Specifications Version 2.0
- Full compliance with SD I/O Card Specification Version 2.0: card support for two different databus modes: 1-bit (default) and 4-bit
- Data transfer up to 48 MHz for the 8 bit mode
- Data write and read with DMA capability

3.33 Universal serial bus (USB)

The STM32L462xx devices embed a full-speed USB device peripheral compliant with the USB specification version 2.0. The internal USB PHY supports USB FS signaling, embedded DP pull-up and also battery charging detection according to Battery Charging Specification Revision 1.2. The USB interface implements a full-speed (12 Mbit/s) function interface with added support for USB 2.0 Link Power Management. It has software-configurable endpoint setting with packet memory up-to 1 KB and suspend/resume support. It requires a precise 48 MHz clock which can be generated from the internal main PLL (the clock source must use a HSE crystal oscillator) or by the internal 48 MHz oscillator in automatic trimming mode. The synchronization for this oscillator can be taken from the USB data stream itself (SOF signalization) which allows crystal less operation.

3.34 Clock recovery system (CRS)

The STM32L462xx devices embed a special block which allows automatic trimming of the internal 48 MHz oscillator to guarantee its optimal accuracy over the whole device operational range. This automatic trimming is based on the external synchronization signal, which could be either derived from LSE oscillator, from an external signal on CRS_SYNC pin or generated by user software. For faster lock-in during startup it is also possible to combine automatic trimming with manual trimming action.

3.35 Quad SPI memory interface (QUADSPI)

The Quad SPI is a specialized communication interface targeting single, dual or quad SPI flash memories. It can operate in any of the three following modes:

- Indirect mode: all the operations are performed using the QUADSPI registers
- Status polling mode: the external flash status register is periodically read and an interrupt can be generated in case of flag setting
- Memory-mapped mode: the external Flash is memory mapped and is seen by the system as if it were an internal memory

Both throughput and capacity can be increased two-fold using dual-flash mode, where two Quad SPI flash memories are accessed simultaneously.

The Quad SPI interface supports:

- Three functional modes: indirect, status-polling, and memory-mapped
- Dual-flash mode, where 8 bits can be sent/received simultaneously by accessing two flash memories in parallel.
- SDR and DDR support
- Fully programmable opcode for both indirect and memory mapped mode
- Fully programmable frame format for both indirect and memory mapped mode
- Each of the 5 following phases can be configured independently (enable, length, single/dual/quad communication)
 - Instruction phase
 - Address phase
 - Alternate bytes phase
 - Dummy cycles phase
 - Data phase
- Integrated FIFO for reception and transmission
- 8, 16, and 32-bit data accesses are allowed
- DMA channel for indirect mode operations
- Programmable masking for external flash flag management
- Timeout management
- Interrupt generation on FIFO threshold, timeout, status match, operation complete, and access error

3.36 Development support

3.36.1 Serial wire JTAG debug port (SWJ-DP)

The Arm® SWJ-DP interface is embedded, and is a combined JTAG and serial wire debug port that enables either a serial wire debug or a JTAG probe to be connected to the target.

Debug is performed using 2 pins only instead of 5 required by the JTAG (JTAG pins could be re-use as GPIO with alternate function): the JTAG TMS and TCK pins are shared with SWDIO and SWCLK, respectively, and a specific sequence on the TMS pin is used to switch between JTAG-DP and SW-DP.

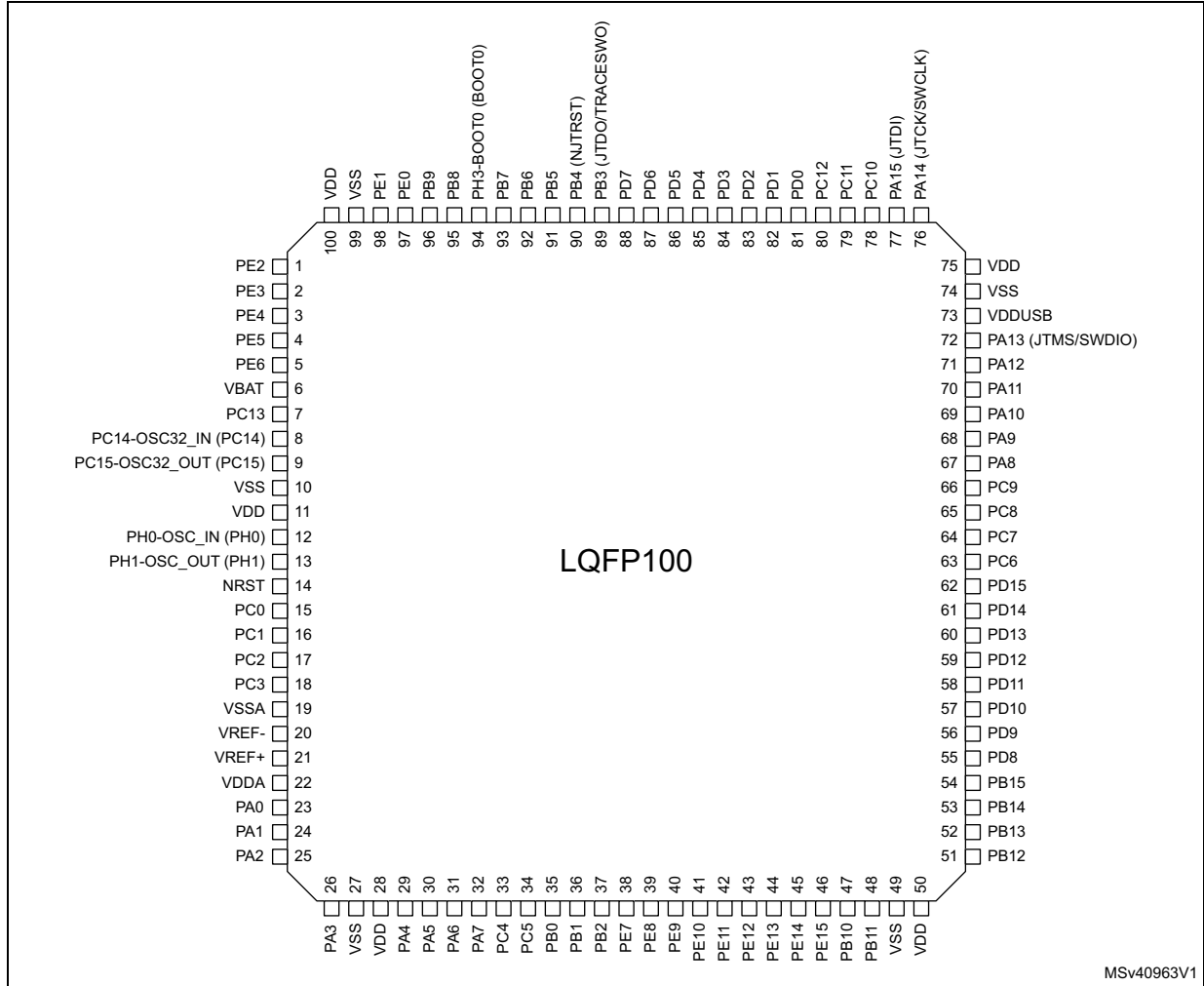
3.36.2 Embedded Trace Macrocell™

The Arm® Embedded Trace Macrocell™ provides a greater visibility of the instruction and data flow inside the CPU core by streaming compressed data at a very high rate from the STM32L462xx through a small number of ETM pins to an external hardware trace port analyzer (TPA) device. Real-time instruction and data flow activity be recorded and then formatted for display on the host computer that runs the debugger software. TPA hardware is commercially available from common development tool vendors.

The Embedded Trace Macrocell™ operates with third party debugger software tools.

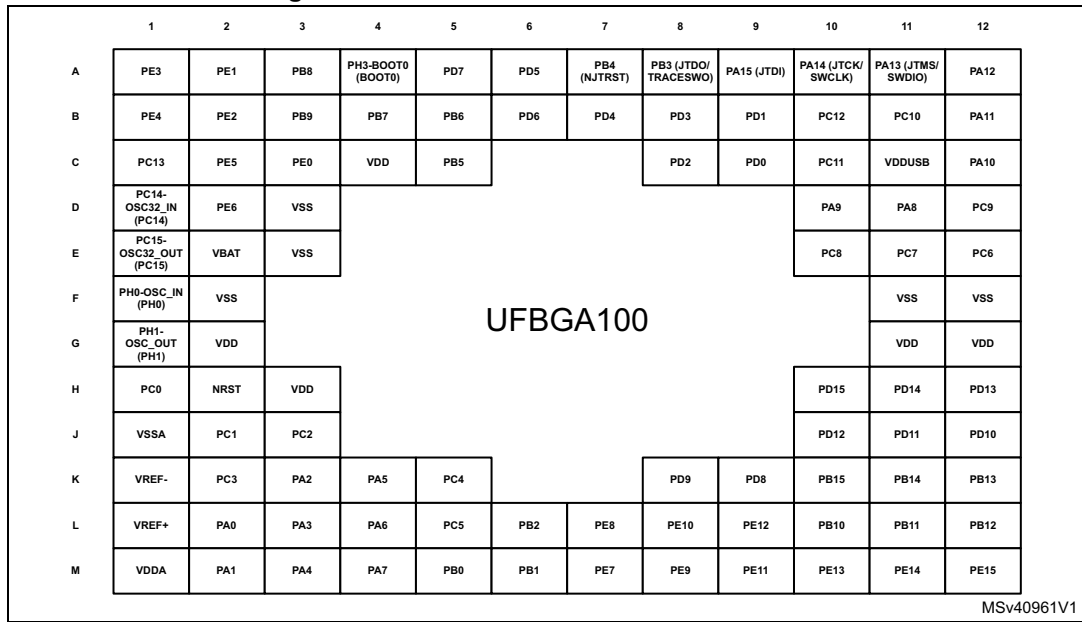
4 Pinouts and pin description

Figure 6. STM32L462Vx LQFP100 pinout⁽¹⁾



1. The above figure shows the package top view.

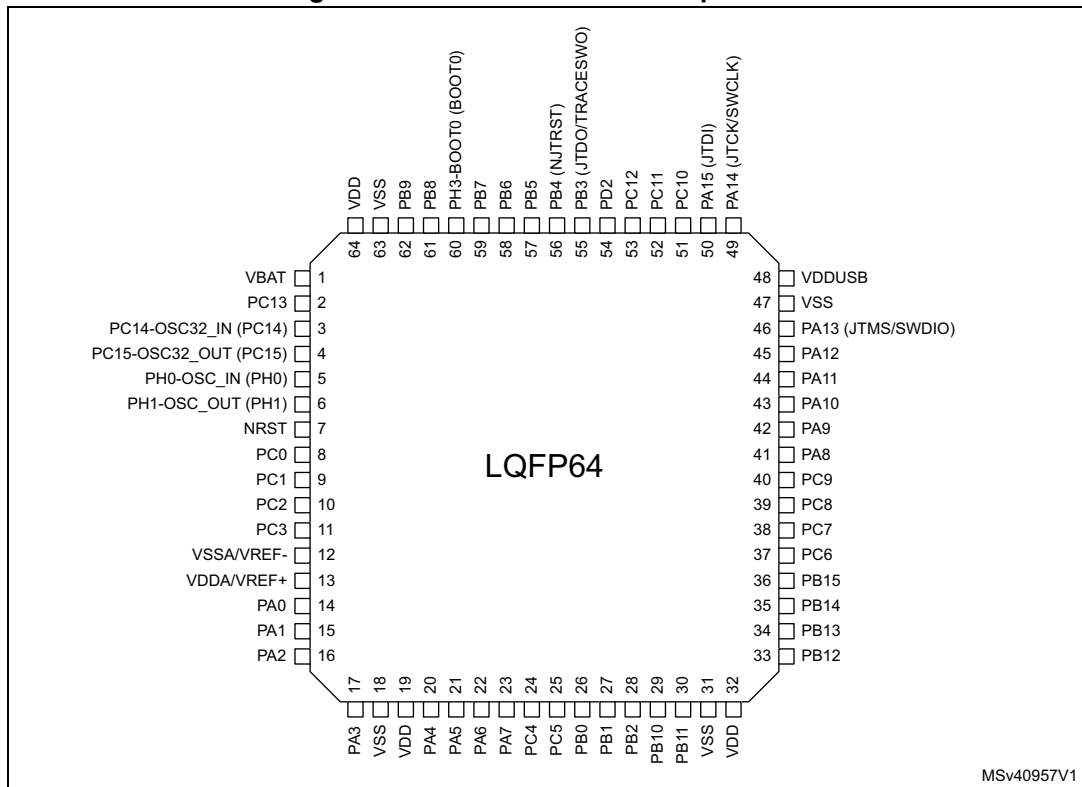
Figure 7. STM32L462Vx UFBGA100 ballout⁽¹⁾



MSv40961V1

1. The above figure shows the package top view.

Figure 8. STM32L462Rx LQFP64 pinout⁽¹⁾



MSv40957V1

1. The above figure shows the package top view.

Figure 9. STM32L462Rx UFBGA64 ballout⁽¹⁾

| | 1 | 2 | 3 | 4 | 5 | 6 | 7 | 8 |
|---|-----------------------|------|-----|-------------------|---------------------|-------------|-------------------|-------------------|
| A | PC14-OSC32_IN (PC14) | PC13 | PB9 | PB4 (NJTRST) | PB3 (JTDO/TRACESWO) | PA15 (JTDI) | PA14 (JTCK/SWCLK) | PA13 (JTMS/SWDIO) |
| B | PC15-OSC32_OUT (PC15) | VBAT | PB8 | PH3-BOOT0 (BOOT0) | PD2 | PC11 | PC10 | PA12 |
| C | PH0-OSC_IN (PH0) | VSS | PB7 | PB5 | PC12 | PA10 | PA9 | PA11 |
| D | PH1-OSC_OUT (PH1) | VDD | PB6 | VSS | VSS | VSS | PA8 | PC9 |
| E | NRST | PC1 | PC0 | VDD | VDDUSB | VDD | PC7 | PC8 |
| F | VSSA/VREF- | PC2 | PA2 | PA5 | PB0 | PC6 | PB15 | PB14 |
| G | PC3 | PA0 | PA3 | PA6 | PB1 | PB2 | PB10 | PB13 |
| H | VDDA/VREF+ | PA1 | PA4 | PA7 | PC4 | PC5 | PB11 | PB12 |

MSv40959V1

1. The above figure shows the package top view.

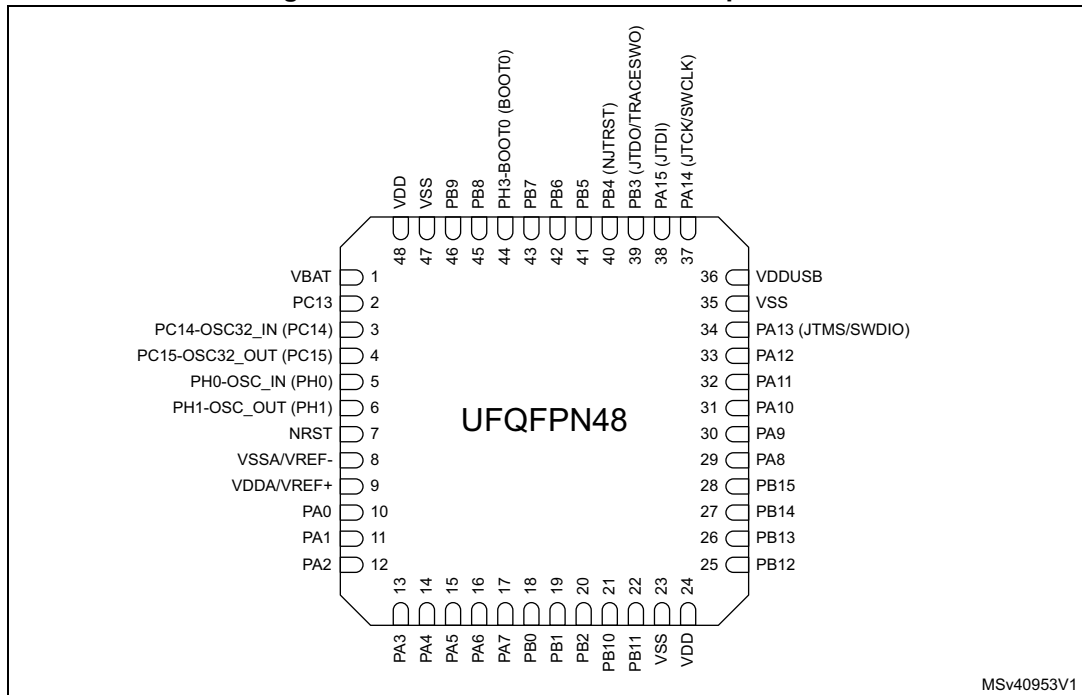
Figure 10. STM32L462Rx WLCSP64 pinout⁽¹⁾

| | 1 | 2 | 3 | 4 | 5 | 6 | 7 | 8 |
|---|--------|-------------------|-------------------|---------------------|-----|-------------------|-----------------------|----------------------|
| A | VDDUSB | PA15 (JTDI) | PC12 | PB4 (NJTRST) | PB7 | PB8 | VSS | VDD |
| B | VSS | VDD | PC11 | PB3 (JTDO/TRACESWO) | PB6 | PH3-BOOT0 (BOOT0) | VBAT | PC13 |
| C | PA10 | PA13 (JTMS/SWDIO) | PA14 (JTCK/SWCLK) | PD2 | PB5 | PB9 | PC15-OSC32_OUT (PC15) | PC14-OSC32_IN (PC14) |
| D | PA9 | PA11 | PA12 | PC10 | PC1 | PC2 | PC0 | PH0-OSC_IN (PH0) |
| E | PC7 | PC9 | PA8 | PC4 | PA7 | PA1 | PC3 | PH1-OSC_OUT (PH1) |
| F | PB15 | PC6 | PC8 | PB1 | PA5 | PA3 | VDDA/VREF+ | NRST |
| G | PB14 | PB13 | PB12 | PB2 | PC5 | PA4 | PA2 | VSSA/VREF- |
| H | VDD | VSS | PB11 | PB10 | PB0 | PA6 | VDD | PA0 |

MSv40955V1

1. The above figure shows the package top view.

Figure 11. STM32L462Cx UFQFPN48 pinout⁽¹⁾



MSv40953V1

1. The above figure shows the package top view.

Table 14. Legend/abbreviations used in the pinout table

| Name | Abbreviation | Definition |
|---------------|---|--|
| Pin name | Unless otherwise specified in brackets below the pin name, the pin function during and after reset is the same as the actual pin name | |
| Pin type | S | Supply pin |
| | I | Input only pin |
| | I/O | Input / output pin |
| I/O structure | FT | 5 V tolerant I/O |
| | TT | 3.6 V tolerant I/O |
| | RST | Bidirectional reset pin with embedded weak pull-up resistor |
| | Option for TT or FT I/Os | |
| | _f ⁽¹⁾ | I/O, Fm+ capable |
| | _u ⁽²⁾ | I/O, with USB function supplied by V _{DDUSB} |
| | _a ⁽³⁾ | I/O, with Analog switch function supplied by V _{DDA} |
| Notes | Unless otherwise specified by a note, all I/Os are set as analog inputs during and after reset. | |
| Pin functions | Alternate functions | Functions selected through GPIOx_AFR registers |
| | Additional functions | Functions directly selected/enabled through peripheral registers |

1. The related I/O structures in Table 15 are: FT_f, FT_fa.

2. The related I/O structures in [Table 15](#) are: FT_u, FT_fu.
3. The related I/O structures in [Table 15](#) are: FT_a, FT_fa, TT_a.

Table 15. STM32L462xx pin definitions

| Pin Number | | | | | | Pin name (function after reset) | Pin type | I/O structure | Notes | Pin functions | |
|------------|---------|--------|---------|---------|----------|--|----------|---------------|------------|--|--------------------------------------|
| UFQFPN48 | WLCSP64 | LQFP64 | UFBGA64 | LQFP100 | UFBGA100 | | | | | Alternate functions | Additional functions |
| - | - | - | - | 1 | B2 | PE2 | I/O | FT | - | TRACECK, TIM3_ETR, TSC_G7_IO1, SAI1_MCLK_A, EVENTOUT | - |
| - | - | - | - | 2 | A1 | PE3 | I/O | FT | - | TRACED0, TIM3_CH1, TSC_G7_IO2, SAI1_SD_B, EVENTOUT | - |
| - | - | - | - | 3 | B1 | PE4 | I/O | FT | - | TRACED1, TIM3_CH2, DFSDM1_DATIN3, TSC_G7_IO3, SAI1_FS_A, EVENTOUT | - |
| - | - | - | - | 4 | C2 | PE5 | I/O | FT | - | TRACED2, TIM3_CH3, DFSDM1_CKIN3, TSC_G7_IO4, SAI1_SCK_A, EVENTOUT | - |
| - | - | - | - | 5 | D2 | PE6 | I/O | FT | - | TRACED3, TIM3_CH4, SAI1_SD_A, EVENTOUT | RTC_TAMP3, WKUP3 |
| 1 | B7 | 1 | B2 | 6 | E2 | VBAT | S | - | - | - | - |
| 2 | B8 | 2 | A2 | 7 | C1 | PC13 | I/O | FT | (1) (2) | EVENTOUT | RTC_TAMP1, RTC_TS, RTC_OUT, WKUP2 |
| 3 | C8 | 3 | A1 | 8 | D1 | PC14- OSC32_ IN (PC14) | I/O | FT | (1) (2) | EVENTOUT | OSC32_IN |
| 4 | C7 | 4 | B1 | 9 | E1 | PC15- OSC32_ OUT (PC15) | I/O | FT | (1) (2) | EVENTOUT | OSC32_OUT |
| - | - | - | - | 10 | F2 | VSS | S | - | - | - | - |
| - | - | - | - | 11 | G2 | VDD | S | - | - | - | - |
| 5 | D8 | 5 | C1 | 12 | F1 | PH0- OSC_IN (PH0) | I/O | FT | - | EVENTOUT | OSC_IN |
| 6 | E8 | 6 | D1 | 13 | G1 | PH1- OSC_ OUT (PH1) | I/O | FT | - | EVENTOUT | OSC_OUT |

Table 15. STM32L462xx pin definitions (continued)

| Pin Number | | | | | | Pin name (function after reset) | Pin type | I/O structure | Notes | Pin functions | |
|------------|---------|--------|---------|---------|----------|--|----------|---------------|-------|--|---|
| UFQFPN48 | WLCSP64 | LQFP64 | UFBGA64 | LQFP100 | UFBGA100 | | | | | Alternate functions | Additional functions |
| 7 | F8 | 7 | E1 | 14 | H2 | NRST | I/O | RST | - | - | - |
| - | D7 | 8 | E3 | 15 | H1 | PC0 | I/O | FT_fa | - | LPTIM1_IN1, I2C4_SCL, I2C3_SCL, LPUART1_RX, LPTIM2_IN1, EVENTOUT | ADC1_IN1 |
| - | D5 | 9 | E2 | 16 | J2 | PC1 | I/O | FT_fa | - | TRACED0, LPTIM1_OUT, I2C4_SDA, I2C3_SDA, LPUART1_TX, EVENTOUT | ADC1_IN2 |
| - | D6 | 10 | F2 | 17 | J3 | PC2 | I/O | FT_a | - | LPTIM1_IN2, SPI2_MISO, DFSDM1_CKOUT, EVENTOUT | ADC1_IN3 |
| - | E7 | 11 | G1 | 18 | K2 | PC3 | I/O | FT_a | - | LPTIM1_ETR, SPI2_MOSI, SAI1_SD_A, LPTIM2_ETR, EVENTOUT | ADC1_IN4 |
| - | - | - | - | 19 | J1 | VSSA | S | - | - | - | - |
| - | - | - | - | 20 | K1 | VREF- | S | - | - | - | - |
| 8 | G8 | 12 | F1 | - | - | VSSA/ VREF- | S | - | - | - | - |
| - | - | - | - | 21 | L1 | VREF+ | S | - | - | - | VREFBUF_OUT |
| - | - | - | - | 22 | M1 | VDDA | S | - | - | - | - |
| 9 | F7 | 13 | H1 | - | - | VDDA/ VREF+ | S | - | - | - | - |
| 10 | H8 | 14 | G2 | 23 | L2 | PA0 | I/O | FT_a | - | TIM2_CH1, USART2_CTS, UART4_TX, COMP1_OUT, SAI1_EXTCLK, TIM2_ETR, EVENTOUT | OPAMP1_VINP, COMP1_INM, ADC1_IN5, RTC_TAMP2, WKUP1 |
| 11 | E6 | 15 | H2 | 24 | M2 | PA1 | I/O | FT_a | - | TIM2_CH2, I2C1_SMBA, SPI1_SCK, USART2_RTS_DE, UART4_RX, TIM15_CH1N, EVENTOUT | OPAMP1_VINM, COMP1_INP, ADC1_IN6 |
| 12 | G7 | 16 | F3 | 25 | K3 | PA2 | I/O | FT_a | - | TIM2_CH3, USART2_TX, LPUART1_TX, QUADSPI_BK1_NCS, COMP2_OUT, TIM15_CH1, EVENTOUT | COMP2_INM, ADC1_IN7, WKUP4, LSCO |
| 13 | F6 | 17 | G3 | 26 | L3 | PA3 | I/O | TT_a | - | TIM2_CH4, USART2_RX, LPUART1_RX, QUADSPI_CLK, SAI1_MCLK_A, TIM15_CH2, EVENTOUT | OPAMP1_VOUT, COMP2_INP, ADC1_IN8 |
| - | - | 18 | C2 | 27 | E3 | VSS | S | - | - | - | - |

Table 15. STM32L462xx pin definitions (continued)

| Pin Number | | | | | | Pin name (function after reset) | Pin type | I/O structure | Notes | Pin functions | |
|------------|---------|--------|---------|---------|----------|--|----------|---------------|-------|---|---|
| UFQFPN48 | WLCSP64 | LQFP64 | UFBGA64 | LQFP100 | UFBGA100 | | | | | Alternate functions | Additional functions |
| - | H7 | 19 | D2 | 28 | H3 | VDD | S | - | - | - | - |
| 14 | G6 | 20 | H3 | 29 | M3 | PA4 | I/O | TT_a | - | SPI1_NSS, SPI3_NSS, USART2_CK, SAI1_FS_B, LPTIM2_OUT, EVENTOUT | COMP1_INM, COMP2_INM, ADC1_IN9, DAC1_OUT1 |
| 15 | F5 | 21 | F4 | 30 | K4 | PA5 | I/O | TT_a | - | TIM2_CH1, TIM2_ETR, SPI1_SCK, DFSDM1_CKOUT, LPTIM2_ETR, EVENTOUT | COMP1_INM, COMP2_INM, ADC1_IN10 |
| 16 | H6 | 22 | G4 | 31 | L4 | PA6 | I/O | FT_a | - | TIM1_BKIN, TIM3_CH1, SPI1_MISO, COMP1_OUT, USART3_CTS, LPUART1_CTS, QUADSPI_BK1_IO3, TIM1_BKIN_COMP2, TIM16_CH1, EVENTOUT | ADC1_IN11 |
| 17 | E5 | 23 | H4 | 32 | M4 | PA7 | I/O | FT_fa | - | TIM1_CH1N, TIM3_CH2, I2C3_SCL, SPI1_MOSI, DFSDM1_DATIN0, QUADSPI_BK1_IO2, COMP2_OUT, EVENTOUT | ADC1_IN12 |
| - | E4 | 24 | H5 | 33 | K5 | PC4 | I/O | FT_a | - | USART3_TX, EVENTOUT | COMP1_INM, ADC1_IN13 |
| - | G5 | 25 | H6 | 34 | L5 | PC5 | I/O | FT_a | - | USART3_RX, EVENTOUT | COMP1_INP, ADC1_IN14, WKUP5 |
| 18 | H5 | 26 | F5 | 35 | M5 | PB0 | I/O | FT_a | - | TIM1_CH2N, TIM3_CH3, SPI1_NSS, DFSDM1_CKIN0, USART3_CK, QUADSPI_BK1_IO1, COMP1_OUT, SAI1_EXTCLK, EVENTOUT | ADC1_IN15 |
| 19 | F4 | 27 | G5 | 36 | M6 | PB1 | I/O | FT_a | - | TIM1_CH3N, TIM3_CH4, DFSDM1_DATIN0, USART3_RTS_DE, LPUART1_RTS_DE, QUADSPI_BK1_IO0, LPTIM2_IN1, EVENTOUT | COMP1_INM, ADC1_IN16 |
| 20 | G4 | 28 | G6 | 37 | L6 | PB2 | I/O | FT_a | - | RTC_OUT, LPTIM1_OUT, I2C3_SMBA, DFSDM1_CKIN0, EVENTOUT | COMP1_INP |

Table 15. STM32L462xx pin definitions (continued)

| Pin Number | | | | | | Pin name (function after reset) | Pin type | I/O structure | Notes | Pin functions | |
|------------|---------|--------|---------|---------|----------|--|----------|---------------|-------|--|----------------------|
| UFQFPN48 | WLCSP64 | LQFP64 | UFBGA64 | LQFP100 | UFBGA100 | | | | | Alternate functions | Additional functions |
| - | - | - | - | 38 | M7 | PE7 | I/O | FT | - | TIM1_ETR, DFSDM1_DATIN2, SAI1_SD_B, EVENTOUT | - |
| - | - | - | - | 39 | L7 | PE8 | I/O | FT | - | TIM1_CH1N, DFSDM1_CKIN2, SAI1_SCK_B, EVENTOUT | - |
| - | - | - | - | 40 | M8 | PE9 | I/O | FT | - | TIM1_CH1, DFSDM1_CKOUT, SAI1_FS_B, EVENTOUT | - |
| - | - | - | - | 41 | L8 | PE10 | I/O | FT | - | TIM1_CH2N, TSC_G5_IO1, QUADSPI_CLK, SAI1_MCLK_B, EVENTOUT | - |
| - | - | - | - | 42 | M9 | PE11 | I/O | FT | - | TIM1_CH2, TSC_G5_IO2, QUADSPI_BK1_NCS, EVENTOUT | - |
| - | - | - | - | 43 | L9 | PE12 | I/O | FT | - | TIM1_CH3N, SPI1_NSS, TSC_G5_IO3, QUADSPI_BK1_IO0, EVENTOUT | - |
| - | - | - | - | 44 | M10 | PE13 | I/O | FT | - | TIM1_CH3, SPI1_SCK, TSC_G5_IO4, QUADSPI_BK1_IO1, EVENTOUT | - |
| - | - | - | - | 45 | M11 | PE14 | I/O | FT | - | TIM1_CH4, TIM1_BKIN2, TIM1_BKIN2_COMP2, SPI1_MISO, QUADSPI_BK1_IO2, EVENTOUT | - |
| - | - | - | - | 46 | M12 | PE15 | I/O | FT | - | TIM1_BKIN, TIM1_BKIN_COMP1, SPI1_MOSI, QUADSPI_BK1_IO3, EVENTOUT | - |
| 21 | H4 | 29 | G7 | 47 | L10 | PB10 | I/O | FT_f | - | TIM2_CH3, I2C4_SCL, I2C2_SCL, SPI2_SCK, USART3_TX, LPUART1_RX, TSC_SYNC, QUADSPI_CLK, COMP1_OUT, SAI1_SCK_A, EVENTOUT | - |

Table 15. STM32L462xx pin definitions (continued)

| Pin Number | | | | | | Pin name (function after reset) | Pin type | I/O structure | Notes | Pin functions | |
|------------|---------|--------|---------|---------|----------|--|----------|---------------|-------|---|----------------------|
| UFQFPN48 | WLCSP64 | LQFP64 | UFBGA64 | LQFP100 | UFBGA100 | | | | | Alternate functions | Additional functions |
| 22 | H3 | 30 | H7 | 48 | L11 | PB11 | I/O | FT_f | - | TIM2_CH4, I2C4_SDA, I2C2_SDA, USART3_RX, LPUART1_TX, QUADSPI_BK1_NCS, COMP2_OUT, EVENTOUT | - |
| 23 | H2 | 31 | D6 | 49 | F12 | VSS | S | - | - | - | - |
| 24 | H1 | 32 | E6 | 50 | G12 | VDD | S | - | - | - | - |
| 25 | G3 | 33 | H8 | 51 | L12 | PB12 | I/O | FT | - | TIM1_BKIN, TIM1_BKIN_COMP2, I2C2_SMBA, SPI2_NSS, DFSDM1_DATIN1, USART3_CK, LPUART1_RTS_DE, TSC_G1_IO1, CAN1_RX, SAI1_FS_A, TIM15_BKIN, EVENTOUT | - |
| 26 | G2 | 34 | G8 | 52 | K12 | PB13 | I/O | FT_f | - | TIM1_CH1N, I2C2_SCL, SPI2_SCK, DFSDM1_CKIN1, USART3_CTS, LPUART1_CTS, TSC_G1_IO2, CAN1_TX, SAI1_SCK_A, TIM15_CH1N, EVENTOUT | - |
| 27 | G1 | 35 | F8 | 53 | K11 | PB14 | I/O | FT_f | - | TIM1_CH2N, I2C2_SDA, SPI2_MISO, DFSDM1_DATIN2, USART3_RTS_DE, TSC_G1_IO3, SAI1_MCLK_A, TIM15_CH1, EVENTOUT | - |
| 28 | F1 | 36 | F7 | 54 | K10 | PB15 | I/O | FT | - | RTC_REFIN, TIM1_CH3N, SPI2_MOSI, DFSDM1_CKIN2, TSC_G1_IO4, SAI1_SD_A, TIM15_CH2, EVENTOUT | - |
| - | - | - | - | 55 | K9 | PD8 | I/O | FT | - | USART3_TX, EVENTOUT | - |
| - | - | - | - | 56 | K8 | PD9 | I/O | FT | - | USART3_RX, EVENTOUT | - |
| - | - | - | - | 57 | J12 | PD10 | I/O | FT | - | USART3_CK, TSC_G6_IO1, EVENTOUT | - |

Table 15. STM32L462xx pin definitions (continued)

| Pin Number | | | | | | Pin name (function after reset) | Pin type | I/O structure | Notes | Pin functions | |
|------------|---------|--------|---------|---------|----------|--|----------|---------------|-------|--|----------------------|
| UFQFPN48 | WLCSP64 | LQFP64 | UFBGA64 | LQFP100 | UFBGA100 | | | | | Alternate functions | Additional functions |
| - | - | - | - | 58 | J11 | PD11 | I/O | FT | - | I2C4_SMBA, USART3_CTS, TSC_G6_IO2, LPTIM2_ETR, EVENTOUT | - |
| - | - | - | - | 59 | J10 | PD12 | I/O | FT | - | I2C4_SCL, USART3_RTS_DE, TSC_G6_IO3, LPTIM2_IN1, EVENTOUT | - |
| - | - | - | - | 60 | H12 | PD13 | I/O | FT | - | I2C4_SDA, TSC_G6_IO4, LPTIM2_OUT, EVENTOUT | - |
| - | - | - | - | 61 | H11 | PD14 | I/O | FT | - | EVENTOUT | - |
| - | - | - | - | 62 | H10 | PD15 | I/O | FT | - | EVENTOUT | - |
| - | F2 | 37 | F6 | 63 | E12 | PC6 | I/O | FT | - | TIM3_CH1, DFSDM1_CKIN3, TSC_G4_IO1, SDMMC1_D6, EVENTOUT | - |
| - | E1 | 38 | E7 | 64 | E11 | PC7 | I/O | FT | - | TIM3_CH2, DFSDM1_DATIN3, TSC_G4_IO2, SDMMC1_D7, EVENTOUT | - |
| - | F3 | 39 | E8 | 65 | E10 | PC8 | I/O | FT | - | TIM3_CH3, TSC_G4_IO3, SDMMC1_D0, EVENTOUT | - |
| - | E2 | 40 | D8 | 66 | D12 | PC9 | I/O | FT | - | TIM3_CH4, TSC_G4_IO4, USBNOE, SDMMC1_D1, EVENTOUT | - |
| 29 | E3 | 41 | D7 | 67 | D11 | PA8 | I/O | FT | - | MCO, TIM1_CH1, DFSDM1_CKIN1, USART1_CK, SAI1_SCK_A, LPTIM2_OUT, EVENTOUT | - |
| 30 | D1 | 42 | C7 | 68 | D10 | PA9 | I/O | FT_f | - | TIM1_CH2, I2C1_SCL, DFSDM1_DATIN1, USART1_TX, SAI1_FS_A, TIM15_BKIN, EVENTOUT | - |
| 31 | C1 | 43 | C6 | 69 | C12 | PA10 | I/O | FT_f | - | TIM1_CH3, I2C1_SDA, USART1_RX, USBCRS_SYNC, SAI1_SD_A, EVENTOUT | - |

Table 15. STM32L462xx pin definitions (continued)

| Pin Number | | | | | | Pin name (function after reset) | Pin type | I/O structure | Notes | Pin functions | |
|------------|---------|--------|---------|---------|----------|--|----------|---------------|-------|---|----------------------|
| UFQFPN48 | WLCSP64 | LQFP64 | UFBGA64 | LQFP100 | UFBGA100 | | | | | Alternate functions | Additional functions |
| 32 | D2 | 44 | C8 | 70 | B12 | PA11 | I/O | FT_u | - | TIM1_CH4, TIM1_BKIN2, SPI1_MISO, COMP1_OUT, USART1_CTS, CAN1_RX, USBDM, TIM1_BKIN2_COMP1, EVENTOUT | - |
| 33 | D3 | 45 | B8 | 71 | A12 | PA12 | I/O | FT_fu | - | TIM1_ETR, SPI1_MOSI, USART1_RTS_DE, CAN1_TX, USBDP, EVENTOUT | - |
| 34 | C2 | 46 | A8 | 72 | A11 | PA13 (JTMS/ SWDIO) | I/O | FT | (3) | JTMS/SWDAT, IR_OUT, USBNOE, SAI1_SD_B, EVENTOUT | - |
| 35 | B1 | 47 | D5 | - | - | VSS | S | - | - | - | - |
| 36 | A1 | 48 | E5 | 73 | C11 | VDDUSB | S | - | - | - | - |
| - | - | - | - | 74 | F11 | VSS | S | - | - | - | - |
| - | B2 | - | - | 75 | G11 | VDD | S | - | - | - | - |
| 37 | C3 | 49 | A7 | 76 | A10 | PA14 (JTCK/ SWCLK) | I/O | FT | (3) | JTCK/SWCLK, LPTIM1_OUT, I2C1_SMBA, I2C4_SMBA, SAI1_FS_B, EVENTOUT | - |
| 38 | A2 | 50 | A6 | 77 | A9 | PA15 (JTDI) | I/O | FT | (3) | JTDI, TIM2_CH1, TIM2_ETR, USART2_RX, SPI1_NSS, SPI3_NSS, USART3_RTS_DE, UART4_RTS_DE, TSC_G3_IO1, EVENTOUT | - |
| - | D4 | 51 | B7 | 78 | B11 | PC10 | I/O | FT | - | TRACED1, SPI3_SCK, USART3_TX, UART4_TX, TSC_G3_IO2, SDMMC1_D2, EVENTOUT | - |
| - | B3 | 52 | B6 | 79 | C10 | PC11 | I/O | FT | - | SPI3_MISO, USART3_RX, UART4_RX, TSC_G3_IO3, SDMMC1_D3, EVENTOUT | - |
| - | A3 | 53 | C5 | 80 | B10 | PC12 | I/O | FT | - | TRACED3, SPI3_MOSI, USART3_CK, TSC_G3_IO4, SDMMC1_CK, EVENTOUT | - |
| - | - | - | - | 81 | C9 | PD0 | I/O | FT | - | SPI2_NSS, CAN1_RX, EVENTOUT | - |
| - | - | - | - | 82 | B9 | PD1 | I/O | FT | - | SPI2_SCK, CAN1_TX, EVENTOUT | - |

Table 15. STM32L462xx pin definitions (continued)

| Pin Number | | | | | | Pin name (function after reset) | Pin type | I/O structure | Notes | Pin functions | |
|------------|---------|--------|---------|---------|----------|--|----------|---------------|-------|---|----------------------|
| UFQFPN48 | WLCSP64 | LQFP64 | UFBGA64 | LQFP100 | UFBGA100 | | | | | Alternate functions | Additional functions |
| - | C4 | 54 | B5 | 83 | C8 | PD2 | I/O | FT | - | TRACED2, TIM3_ETR, USART3_RTS_DE, TSC_SYNC, SDMMC1_CMD, EVENTOUT | - |
| - | - | - | - | 84 | B8 | PD3 | I/O | FT | - | SPI2_MISO, DFSDM1_DATIN0, USART2_CTS, QUADSPI_BK2_NCS, EVENTOUT | - |
| - | - | - | - | 85 | B7 | PD4 | I/O | FT | - | SPI2_MOSI, DFSDM1_CKIN0, USART2_RTS_DE, QUADSPI_BK2_IO0, EVENTOUT | - |
| - | - | - | - | 86 | A6 | PD5 | I/O | FT | - | USART2_TX, QUADSPI_BK2_IO1, EVENTOUT | - |
| - | - | - | - | 87 | B6 | PD6 | I/O | FT | - | DFSDM1_DATIN1, USART2_RX, QUADSPI_BK2_IO2, SAI1_SD_A, EVENTOUT | - |
| - | - | - | - | 88 | A5 | PD7 | I/O | FT | - | DFSDM1_CKIN1, USART2_CK, QUADSPI_BK2_IO3, EVENTOUT | - |
| 39 | B4 | 55 | A5 | 89 | A8 | PB3 (JTDO/ TRACE SWO) | I/O | FT_a | (3) | JTDO/TRACESWO, TIM2_CH2, SPI1_SCK, SPI3_SCK, USART1_RTS_DE, SAI1_SCK_B, EVENTOUT | COMP2_INM |
| 40 | A4 | 56 | A4 | 90 | A7 | PB4 (NJTRST) | I/O | FT_fa | (3) | NJTRST, TIM3_CH1, I2C3_SDA, SPI1_MISO, SPI3_MISO, USART1_CTS, TSC_G2_IO1, SAI1_MCLK_B, EVENTOUT | COMP2_INP |

Table 15. STM32L462xx pin definitions (continued)

| Pin Number | | | | | | Pin name (function after reset) | Pin type | I/O structure | Notes | Pin functions | |
|------------|---------|--------|---------|---------|----------|--|----------|---------------|-------|---|----------------------|
| UQFPN48 | WLCSP64 | LQFP64 | UFBGA64 | LQFP100 | UFBGA100 | | | | | Alternate functions | Additional functions |
| 41 | C5 | 57 | C4 | 91 | C5 | PB5 | I/O | FT | - | LPTIM1_IN1, TIM3_CH2, CAN1_RX, I2C1_SMBA, SPI1_MOSI, SPI3_MOSI, USART1_CK, TSC_G2_IO2, COMP2_OUT, SAI1_SD_B, TIM16_BKIN, EVENTOUT | - |
| 42 | B5 | 58 | D3 | 92 | B5 | PB6 | I/O | FT_fa | - | LPTIM1_ETR, I2C1_SCL, I2C4_SCL, USART1_TX, CAN1_TX, TSC_G2_IO3, SAI1_FS_B, TIM16_CH1N, EVENTOUT | COMP2_INP |
| 43 | A5 | 59 | C3 | 93 | B4 | PB7 | I/O | FT_fa | - | LPTIM1_IN2, I2C1_SDA, I2C4_SDA, USART1_RX, UART4_CTS, TSC_G2_IO4, EVENTOUT | COMP2_INM, PVD_IN |
| 44 | B6 | 60 | B4 | 94 | A4 | PH3- BOOT0 (BOOT0) | I/O | - | - | EVENTOUT | BOOT0 |
| 45 | A6 | 61 | B3 | 95 | A3 | PB8 | I/O | FT_f | - | I2C1_SCL, CAN1_RX, SDMMC1_D4, SAI1_MCLK_A, TIM16_CH1, EVENTOUT | - |
| 46 | C6 | 62 | A3 | 96 | B3 | PB9 | I/O | FT_f | - | IR_OUT, I2C1_SDA, SPI2_NSS, CAN1_TX, SDMMC1_D5, SAI1_FS_A, EVENTOUT | - |
| - | - | - | - | 97 | C3 | PE0 | I/O | FT | - | TIM16_CH1, EVENTOUT | - |
| - | - | - | - | 98 | A2 | PE1 | I/O | FT | - | EVENTOUT | - |
| 47 | A7 | 63 | D4 | 99 | D3 | VSS | S | - | - | - | - |
| 48 | A8 | 64 | E4 | 100 | C4 | VDD | S | - | - | - | - |

1. PC13, PC14 and PC15 are supplied through the power switch. Since the switch only sinks a limited amount of current (3 mA), the use of GPIOs PC13 to PC15 in output mode is limited:
 - The speed should not exceed 2 MHz with a maximum load of 30 pF
 - These GPIOs must not be used as current sources (e.g. to drive an LED).
2. After a Backup domain power-up, PC13, PC14 and PC15 operate as GPIOs. Their function then depends on the content of the RTC registers which are not reset by the system reset. For details on how to manage these GPIOs, refer to the Backup domain and RTC register descriptions in the RM0394 reference manual.
3. After reset, these pins are configured as JTAG/SW debug alternate functions, and the internal pull-up on PA15, PA13, PB4 pins and the internal pull-down on PA14 pin are activated.

Table 16. Alternate function AF0 to AF7⁽¹⁾

| Port | AF0 | AF1 | AF2 | AF3 | AF4 | AF5 | AF6 | AF7 | |
|--------|--------|---------------------|-------------------------|---------------------------|-------------------------|----------------|----------------------|------------------------------|----------------|
| | SYS_AF | TIM1/TIM2 LPTIM1 | I2C4/TIM1/ TIM2/TIM3 | I2C4/USART2/ CAN1/TIM1 | I2C1/I2C2/ I2C3/I2C4 | SPI1/SPI2/I2C4 | SPI3/DFSDM/ COMP1 | USART1/ USART2/ USART3 | |
| Port A | PA0 | - | TIM2_CH1 | - | - | - | - | USART2_CTS | |
| | PA1 | - | TIM2_CH2 | - | - | I2C1_SMBA | SPI1_SCK | USART2_RTS_ DE | |
| | PA2 | - | TIM2_CH3 | - | - | - | - | USART2_TX | |
| | PA3 | - | TIM2_CH4 | - | - | - | - | USART2_RX | |
| | PA4 | - | - | - | - | - | SPI1_NSS | SPI3_NSS | USART2_CK |
| | PA5 | - | TIM2_CH1 | TIM2_ETR | - | - | SPI1_SCK | DFSDM1_ CKOUT | - |
| | PA6 | - | TIM1_BKIN | TIM3_CH1 | - | - | SPI1_MISO | COMP1_OUT | USART3_CTS |
| | PA7 | - | TIM1_CH1N | TIM3_CH2 | - | I2C3_SCL | SPI1_MOSI | DFSDM1_ DATIN0 | - |
| | PA8 | MCO | TIM1_CH1 | - | - | - | - | DFSDM1_ CKIN1 | USART1_CK |
| | PA9 | - | TIM1_CH2 | - | - | I2C1_SCL | - | DFSDM1_ DATIN1 | USART1_TX |
| | PA10 | - | TIM1_CH3 | - | - | I2C1_SDA | - | - | USART1_RX |
| | PA11 | - | TIM1_CH4 | TIM1_BKIN2 | - | - | SPI1_MISO | COMP1_OUT | USART1_CTS |
| | PA12 | - | TIM1_ETR | - | - | - | SPI1_MOSI | - | USART1_RTS_ DE |
| | PA13 | JTMS/SWDAT | IR_OUT | - | - | - | - | - | - |
| | PA14 | JTCK/SWCLK | LPTIM1_OUT | - | - | I2C1_SMBA | I2C4_SMBA | - | - |
| PA15 | JTDI | TIM2_CH1 | TIM2_ETR | USART2_RX | - | SPI1_NSS | SPI3_NSS | USART3_RTS_ DE | |

Table 16. Alternate function AF0 to AF7⁽¹⁾ (continued)

| Port | | AF0 | AF1 | AF2 | AF3 | AF4 | AF5 | AF6 | AF7 |
|--------|-----------|-------------------|---------------------|-------------------------|---------------------------|-------------------------|------------------|----------------------|------------------------------|
| | | SYS_AF | TIM1/TIM2 LPTIM1 | I2C4/TIM1/ TIM2/TIM3 | I2C4/USART2/ CAN1/TIM1 | I2C1/I2C2/ I2C3/I2C4 | SPI1/SPI2/I2C4 | SPI3/DFSDM/ COMP1 | USART1/ USART2/ USART3 |
| Port B | PB0 | - | TIM1_CH2N | TIM3_CH3 | - | - | SPI1_NSS | DFSDM1_ CKIN0 | USART3_CK |
| | PB1 | - | TIM1_CH3N | TIM3_CH4 | - | - | - | DFSDM1_ DATIN0 | USART3_RTS_ DE |
| | PB2 | RTC_OUT | LPTIM1_OUT | - | - | I2C3_SMBA | - | DFSDM1_ CKIN0 | - |
| | PB3 | JTDO/ TRACESWO | TIM2_CH2 | - | - | - | SPI1_SCK | SPI3_SCK | USART1_RTS_ DE |
| | PB4 | NJTRST | - | TIM3_CH1 | - | I2C3_SDA | SPI1_MISO | SPI3_MISO | USART1_CTS |
| | PB5 | - | LPTIM1_IN1 | TIM3_CH2 | CAN1_RX | I2C1_SMBA | SPI1_MOSI | SPI3_MOSI | USART1_CK |
| | PB6 | - | LPTIM1_ETR | - | - | I2C1_SCL | I2C4_SCL | - | USART1_TX |
| | PB7 | - | LPTIM1_IN2 | - | - | I2C1_SDA | I2C4_SDA | - | USART1_RX |
| | PB8 | - | - | - | - | I2C1_SCL | - | - | - |
| | PB9 | - | IR_OUT | - | - | I2C1_SDA | SPI2_NSS | - | - |
| | PB10 | - | TIM2_CH3 | - | I2C4_SCL | I2C2_SCL | SPI2_SCK | - | USART3_TX |
| | PB11 | - | TIM2_CH4 | - | I2C4_SDA | I2C2_SDA | - | - | USART3_RX |
| | PB12 | - | TIM1_BKIN | - | TIM1_BKIN_C OMP2 | I2C2_SMBA | SPI2_NSS | DFSDM1_ DATIN1 | USART3_CK |
| | PB13 | - | TIM1_CH1N | - | - | I2C2_SCL | SPI2_SCK | DFSDM1_ CKIN1 | USART3_CTS |
| | PB14 | - | TIM1_CH2N | - | - | I2C2_SDA | SPI2_MISO | DFSDM1_ DATIN2 | USART3_RTS_ DE |
| PB15 | RTC_REFIN | TIM1_CH3N | - | - | - | SPI2_MOSI | DFSDM1_ CKIN2 | - | |

Table 16. Alternate function AF0 to AF7⁽¹⁾ (continued)

| Port | AF0 | AF1 | AF2 | AF3 | AF4 | AF5 | AF6 | AF7 | |
|--------|--------|---------------------|-------------------------|---------------------------|-------------------------|----------------|----------------------|------------------------------|-----------|
| | SYS_AF | TIM1/TIM2 LPTIM1 | I2C4/TIM1/ TIM2/TIM3 | I2C4/USART2/ CAN1/TIM1 | I2C1/I2C2/ I2C3/I2C4 | SPI1/SPI2/I2C4 | SPI3/DFSDM/ COMP1 | USART1/ USART2/ USART3 | |
| Port C | PC0 | - | LPTIM1_IN1 | I2C4_SCL | - | I2C3_SCL | - | - | |
| | PC1 | TRACED0 | LPTIM1_OUT | I2C4_SDA | - | I2C3_SDA | - | - | |
| | PC2 | - | LPTIM1_IN2 | - | - | - | SPI2_MISO | DFSDM1_ CKOUT | |
| | PC3 | - | LPTIM1_ETR | - | - | - | SPI2_MOSI | - | |
| | PC4 | - | - | - | - | - | - | USART3_TX | |
| | PC5 | - | - | - | - | - | - | USART3_RX | |
| | PC6 | - | - | TIM3_CH1 | - | - | - | DFSDM1_ CKIN3 | |
| | PC7 | - | - | TIM3_CH2 | - | - | - | DFSDM1_ DATIN3 | |
| | PC8 | - | - | TIM3_CH3 | - | - | - | - | |
| | PC9 | - | - | TIM3_CH4 | - | - | - | - | |
| | PC10 | TRACED1 | - | - | - | - | - | SPI3_SCK | USART3_TX |
| | PC11 | - | - | - | - | - | - | SPI3_MISO | USART3_RX |
| | PC12 | TRACED3 | - | - | - | - | - | SPI3_MOSI | USART3_CK |
| | PC13 | - | - | - | - | - | - | - | - |
| | PC14 | - | - | - | - | - | - | - | - |
| PC15 | - | - | - | - | - | - | - | - | |

Table 16. Alternate function AF0 to AF7⁽¹⁾ (continued)

| Port | AF0 | AF1 | AF2 | AF3 | AF4 | AF5 | AF6 | AF7 | |
|--------|--------|---------------------|-------------------------|---------------------------|-------------------------|----------------|----------------------|------------------------------|----------------|
| | SYS_AF | TIM1/TIM2 LPTIM1 | I2C4/TIM1/ TIM2/TIM3 | I2C4/USART2/ CAN1/TIM1 | I2C1/I2C2/ I2C3/I2C4 | SPI1/SPI2/I2C4 | SPI3/DFSDM/ COMP1 | USART1/ USART2/ USART3 | |
| Port D | PD0 | - | - | - | - | - | SPI2_NSS | - | |
| | PD1 | - | - | - | - | - | SPI2_SCK | - | |
| | PD2 | TRACED2 | - | TIM3_ETR | - | - | - | USART3_RTS_ DE | |
| | PD3 | - | - | - | - | - | SPI2_MISO | DFSDM1_ DATIN0 | USART2_CTS |
| | PD4 | - | - | - | - | - | SPI2_MOSI | DFSDM1_ CKIN0 | USART2_RTS_ DE |
| | PD5 | - | - | - | - | - | - | - | USART2_TX |
| | PD6 | - | - | - | - | - | - | DFSDM1_ DATIN1 | USART2_RX |
| | PD7 | - | - | - | - | - | - | DFSDM1_ CKIN1 | USART2_CK |
| | PD8 | - | - | - | - | - | - | - | USART3_TX |
| | PD9 | - | - | - | - | - | - | - | USART3_RX |
| | PD10 | - | - | - | - | - | - | - | USART3_CK |
| | PD11 | - | - | - | - | - | I2C4_SMBA | - | USART3_CTS |
| | PD12 | - | - | - | - | - | I2C4_SCL | - | USART3_RTS_ DE |
| | PD13 | - | - | - | - | - | I2C4_SDA | - | - |
| | PD14 | - | - | - | - | - | - | - | - |
| PD15 | - | - | - | - | - | - | - | - | |



Table 16. Alternate function AF0 to AF7⁽¹⁾ (continued)

| Port | | AF0 | AF1 | AF2 | AF3 | AF4 | AF5 | AF6 | AF7 |
|--------|------|-----------|---------------------|-------------------------|---------------------------|-------------------------|----------------|----------------------|------------------------------|
| | | SYS_AF | TIM1/TIM2 LPTIM1 | I2C4/TIM1/ TIM2/TIM3 | I2C4/USART2/ CAN1/TIM1 | I2C1/I2C2/ I2C3/I2C4 | SPI1/SPI2/I2C4 | SPI3/DFSDM/ COMP1 | USART1/ USART2/ USART3 |
| Port E | PE0 | - | - | - | - | - | - | - | - |
| | PE1 | - | - | - | - | - | - | - | - |
| | PE2 | TRACECK | - | TIM3_ETR | - | - | - | - | - |
| | PE3 | TRACED0 | - | TIM3_CH1 | - | - | - | - | - |
| | PE4 | TRACED1 | - | TIM3_CH2 | - | - | - | DFSDM1_ DATIN3 | - |
| | PE5 | TRACED2 | - | TIM3_CH3 | - | - | - | DFSDM1_ CKIN3 | - |
| | PE6 | TRACED3 | - | TIM3_CH4 | - | - | - | - | - |
| | PE7 | - | TIM1_ETR | - | - | - | - | DFSDM1_ DATIN2 | - |
| | PE8 | - | TIM1_CH1N | - | - | - | - | DFSDM1_ CKIN2 | - |
| | PE9 | - | TIM1_CH1 | - | - | - | - | DFSDM1_ CKOUT | - |
| | PE10 | - | TIM1_CH2N | - | - | - | - | - | - |
| | PE11 | - | TIM1_CH2 | - | - | - | - | - | - |
| | PE12 | - | TIM1_CH3N | - | - | - | SPI1_NSS | - | - |
| | PE13 | - | TIM1_CH3 | - | - | - | SPI1_SCK | - | - |
| | PE14 | - | TIM1_CH4 | TIM1_BKIN2 | TIM1_BKIN2_ COMP2 | - | SPI1_MISO | - | - |
| PE15 | - | TIM1_BKIN | - | TIM1_BKIN_ COMP1 | - | SPI1_MOSI | - | - | |


Table 16. Alternate function AF0 to AF7⁽¹⁾ (continued)

| Port | | AF0 | AF1 | AF2 | AF3 | AF4 | AF5 | AF6 | AF7 |
|--------|-----|--------|---------------------|-------------------------|---------------------------|-------------------------|----------------|----------------------|------------------------------|
| | | SYS_AF | TIM1/TIM2 LPTIM1 | I2C4/TIM1/ TIM2/TIM3 | I2C4/USART2/ CAN1/TIM1 | I2C1/I2C2/ I2C3/I2C4 | SPI1/SPI2/I2C4 | SPI3/DFSDM/ COMP1 | USART1/ USART2/ USART3 |
| Port H | PH0 | - | - | - | - | - | - | - | - |
| | PH1 | - | - | - | - | - | - | - | - |
| | PH3 | - | - | - | - | - | - | - | - |

1. Please refer to [Table 17](#) for AF8 to AF15.



Table 17. Alternate function AF8 to AF15⁽¹⁾

| Port | AF8 | AF9 | AF10 | AF11 | AF12 | AF13 | AF14 | AF15 | |
|--------|----------------------------|-------------|----------------------|---------------------|----------------------------|----------------------|-----------------------------|------------|----------|
| | UART4/ LPUART1/ CAN1 | CAN1/TSC | CAN1/USB/ QUADSPI | - | SDMMC1/ COMP1/ COMP2 | SAI1 | TIM2/TIM15/ TIM16/LPTIM2 | EVENTOUT | |
| Port A | PA0 | UART4_TX | - | - | - | COMP1_OUT | SAI1_EXTCLK | TIM2_ETR | EVENTOUT |
| | PA1 | UART4_RX | - | - | - | - | - | TIM15_CH1N | EVENTOUT |
| | PA2 | LPUART1_TX | - | QUADSPI_ BK1_NCS | - | COMP2_OUT | - | TIM15_CH1 | EVENTOUT |
| | PA3 | LPUART1_RX | - | QUADSPI_CLK | - | - | SAI1_MCLK_A | TIM15_CH2 | EVENTOUT |
| | PA4 | - | - | - | - | - | SAI1_FS_B | LPTIM2_OUT | EVENTOUT |
| | PA5 | - | - | - | - | - | - | LPTIM2_ETR | EVENTOUT |
| | PA6 | LPUART1_CTS | - | QUADSPI_ BK1_IO3 | - | TIM1_BKIN_ COMP2 | - | TIM16_CH1 | EVENTOUT |
| | PA7 | - | - | QUADSPI_ BK1_IO2 | - | COMP2_OUT | - | - | EVENTOUT |
| | PA8 | - | - | - | - | - | SAI1_SCK_A | LPTIM2_OUT | EVENTOUT |
| | PA9 | - | - | - | - | - | SAI1_FS_A | TIM15_BKIN | EVENTOUT |
| | PA10 | - | - | USBCRS_ SYNC | - | - | SAI1_SD_A | - | EVENTOUT |
| | PA11 | - | CAN1_RX | USBDM | - | TIM1_BKIN2_ COMP1 | - | - | EVENTOUT |
| | PA12 | - | CAN1_TX | USBDP | - | - | - | - | EVENTOUT |
| | PA13 | - | - | USBNOE | - | - | SAI1_SD_B | - | EVENTOUT |
| | PA14 | - | - | - | - | - | SAI1_FS_B | - | EVENTOUT |
| PA15 | UART4_RTS_ DE | TSC_G3_IO1 | - | - | - | - | - | EVENTOUT | |

Table 17. Alternate function AF8 to AF15⁽¹⁾ (continued)

| Port | AF8 | AF9 | AF10 | AF11 | AF12 | AF13 | AF14 | AF15 | |
|--------|----------------------------|--------------------|----------------------|---------------------|----------------------------|-----------|-----------------------------|------------|----------|
| | UART4/ LPUART1/ CAN1 | CAN1/TSC | CAN1/USB/ QUADSPI | - | SDMMC1/ COMP1/ COMP2 | SAI1 | TIM2/TIM15/ TIM16/LPTIM2 | EVENTOUT | |
| Port B | PB0 | - | - | QUADSPI_ BK1_IO1 | - | COMP1_OUT | SAI1_EXTCLK | - | EVENTOUT |
| | PB1 | LPUART1_RTS _DE | - | QUADSPI_ BK1_IO0 | - | - | - | LPTIM2_IN1 | EVENTOUT |
| | PB2 | - | - | - | - | - | - | - | EVENTOUT |
| | PB3 | - | - | - | - | - | SAI1_SCK_B | - | EVENTOUT |
| | PB4 | - | TSC_G2_IO1 | - | - | - | SAI1_MCLK_B | - | EVENTOUT |
| | PB5 | - | TSC_G2_IO2 | - | - | COMP2_OUT | SAI1_SD_B | TIM16_BKIN | EVENTOUT |
| | PB6 | CAN1_TX | TSC_G2_IO3 | - | - | - | SAI1_FS_B | TIM16_CH1N | EVENTOUT |
| | PB7 | UART4_CTS | TSC_G2_IO4 | - | - | - | - | - | EVENTOUT |
| | PB8 | - | CAN1_RX | - | - | SDMMC1_D4 | SAI1_MCLK_A | TIM16_CH1 | EVENTOUT |
| | PB9 | - | CAN1_TX | - | - | SDMMC1_D5 | SAI1_FS_A | - | EVENTOUT |
| | PB10 | LPUART1_RX | TSC_SYNC | QUADSPI_CLK | - | COMP1_OUT | SAI1_SCK_A | - | EVENTOUT |
| | PB11 | LPUART1_TX | - | QUADSPI_ BK1_NCS | - | COMP2_OUT | - | - | EVENTOUT |
| | PB12 | LPUART1_RTS _DE | TSC_G1_IO1 | CAN1_RX | - | - | SAI1_FS_A | TIM15_BKIN | EVENTOUT |
| | PB13 | LPUART1_CTS | TSC_G1_IO2 | CAN1_TX | - | - | SAI1_SCK_A | TIM15_CH1N | EVENTOUT |
| | PB14 | - | TSC_G1_IO3 | - | - | - | SAI1_MCLK_A | TIM15_CH1 | EVENTOUT |
| PB15 | - | TSC_G1_IO4 | - | - | - | SAI1_SD_A | TIM15_CH2 | EVENTOUT | |

Table 17. Alternate function AF8 to AF15⁽¹⁾ (continued)

| Port | AF8 | AF9 | AF10 | AF11 | AF12 | AF13 | AF14 | AF15 | |
|--------|----------------------------|------------|----------------------|--------|----------------------------|-----------|-----------------------------|------------|----------|
| | UART4/ LPUART1/ CAN1 | CAN1/TSC | CAN1/USB/ QUADSPI | - | SDMMC1/ COMP1/ COMP2 | SAI1 | TIM2/TIM15/ TIM16/LPTIM2 | EVENTOUT | |
| Port C | PC0 | LPUART1_RX | - | - | - | - | LPTIM2_IN1 | EVENTOUT | |
| | PC1 | LPUART1_TX | - | - | - | - | - | EVENTOUT | |
| | PC2 | - | - | - | - | - | - | EVENTOUT | |
| | PC3 | - | - | - | - | - | SAI1_SD_A | LPTIM2_ETR | EVENTOUT |
| | PC4 | - | - | - | - | - | - | EVENTOUT | |
| | PC5 | - | - | - | - | - | - | EVENTOUT | |
| | PC6 | - | TSC_G4_IO1 | - | - | SDMMC1_D6 | - | - | EVENTOUT |
| | PC7 | - | TSC_G4_IO2 | - | - | SDMMC1_D7 | - | - | EVENTOUT |
| | PC8 | - | TSC_G4_IO3 | - | - | SDMMC1_D0 | - | - | EVENTOUT |
| | PC9 | - | TSC_G4_IO4 | USBNOE | - | SDMMC1_D1 | - | - | EVENTOUT |
| | PC10 | UART4_TX | TSC_G3_IO2 | - | - | SDMMC1_D2 | - | - | EVENTOUT |
| | PC11 | UART4_RX | TSC_G3_IO3 | - | - | SDMMC1_D3 | - | - | EVENTOUT |
| | PC12 | - | TSC_G3_IO4 | - | - | SDMMC1_CK | - | - | EVENTOUT |
| | PC13 | - | - | - | - | - | - | - | EVENTOUT |
| | PC14 | - | - | - | - | - | - | - | EVENTOUT |
| PC15 | - | - | - | - | - | - | - | EVENTOUT | |

Table 17. Alternate function AF8 to AF15⁽¹⁾ (continued)

| Port | AF8 | AF9 | AF10 | AF11 | AF12 | AF13 | AF14 | AF15 |
|--------|----------------------------|----------|----------------------|---------------------|----------------------------|----------------|-----------------------------|----------|
| | UART4/ LPUART1/ CAN1 | CAN1/TSC | CAN1/USB/ QUADSPI | - | SDMMC1/ COMP1/ COMP2 | SAI1 | TIM2/TIM15/ TIM16/LPTIM2 | EVENTOUT |
| Port D | PD0 | - | CAN1_RX | - | - | - | - | EVENTOUT |
| | PD1 | - | CAN1_TX | - | - | - | - | EVENTOUT |
| | PD2 | - | TSC_SYNC | - | - | SDMMC1_ CMD | - | EVENTOUT |
| | PD3 | - | - | QUADSPI_ BK2_NCS | - | - | - | EVENTOUT |
| | PD4 | - | - | QUADSPI_ BK2_IO0 | - | - | - | EVENTOUT |
| | PD5 | - | - | QUADSPI_ BK2_IO1 | - | - | - | EVENTOUT |
| | PD6 | - | - | QUADSPI_ BK2_IO2 | - | - | SAI1_SD_A | EVENTOUT |
| | PD7 | - | - | QUADSPI_ BK2_IO3 | - | - | - | EVENTOUT |
| | PD8 | - | - | - | - | - | - | EVENTOUT |
| | PD9 | - | - | - | - | - | - | EVENTOUT |
| | PD10 | - | TSC_G6_IO1 | - | - | - | - | EVENTOUT |
| | PD11 | - | TSC_G6_IO2 | - | - | - | LPTIM2_ETR | EVENTOUT |
| | PD12 | - | TSC_G6_IO3 | - | - | - | LPTIM2_IN1 | EVENTOUT |
| | PD13 | - | TSC_G6_IO4 | - | - | - | LPTIM2_OUT | EVENTOUT |
| | PD14 | - | - | - | - | - | - | EVENTOUT |
| PD15 | - | - | - | - | - | - | EVENTOUT | |



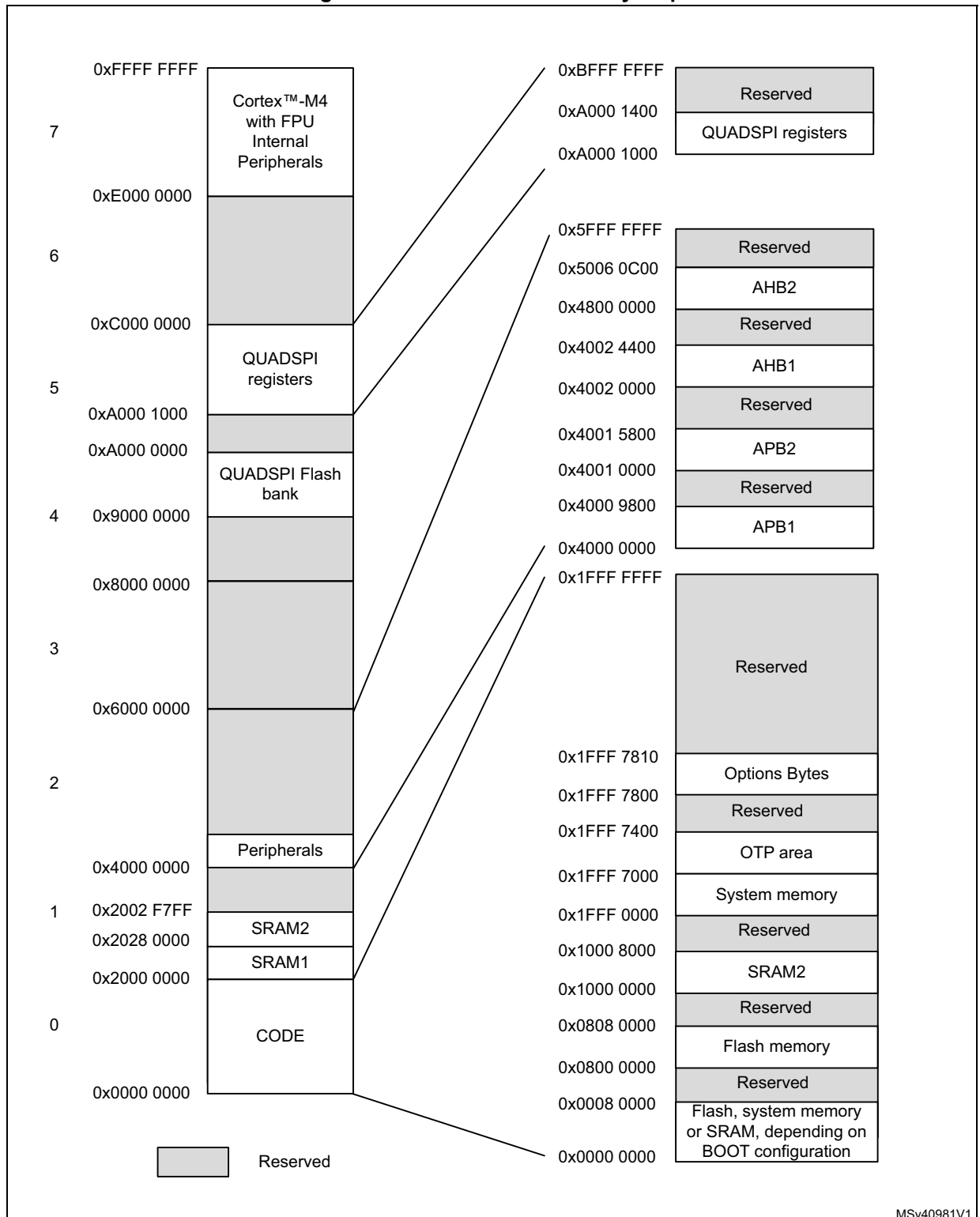
Table 17. Alternate function AF8 to AF15⁽¹⁾ (continued)

| Port | AF8 | AF9 | AF10 | AF11 | AF12 | AF13 | AF14 | AF15 | |
|--------|----------------------------|----------|----------------------|---------------------|----------------------------|------|-----------------------------|----------|----------|
| | UART4/ LPUART1/ CAN1 | CAN1/TSC | CAN1/USB/ QUADSPI | - | SDMMC1/ COMP1/ COMP2 | SAI1 | TIM2/TIM15/ TIM16/LPTIM2 | EVENTOUT | |
| Port E | PE0 | - | - | - | - | - | TIM16_CH1 | EVENTOUT | |
| | PE1 | - | - | - | - | - | - | EVENTOUT | |
| | PE2 | - | TSC_G7_IO1 | - | - | - | SAI1_MCLK_A | - | EVENTOUT |
| | PE3 | - | TSC_G7_IO2 | - | - | - | SAI1_SD_B | - | EVENTOUT |
| | PE4 | - | TSC_G7_IO3 | - | - | - | SAI1_FS_A | - | EVENTOUT |
| | PE5 | - | TSC_G7_IO4 | - | - | - | SAI1_SCK_A | - | EVENTOUT |
| | PE6 | - | - | - | - | - | SAI1_SD_A | - | EVENTOUT |
| | PE7 | - | - | - | - | - | SAI1_SD_B | - | EVENTOUT |
| | PE8 | - | - | - | - | - | SAI1_SCK_B | - | EVENTOUT |
| | PE9 | - | - | - | - | - | SAI1_FS_B | - | EVENTOUT |
| | PE10 | - | TSC_G5_IO1 | QUADSPI_CLK | - | - | SAI1_MCLK_B | - | EVENTOUT |
| | PE11 | - | TSC_G5_IO2 | QUADSPI_ BK1_NCS | - | - | - | - | EVENTOUT |
| | PE12 | - | TSC_G5_IO3 | QUADSPI_ BK1_IO0 | - | - | - | - | EVENTOUT |
| | PE13 | - | TSC_G5_IO4 | QUADSPI_ BK1_IO1 | - | - | - | - | EVENTOUT |
| | PE14 | - | - | QUADSPI_ BK1_IO2 | - | - | - | - | EVENTOUT |
| PE15 | - | - | QUADSPI_ BK1_IO3 | - | - | - | - | EVENTOUT | |
| Port H | PH0 | - | - | - | - | - | - | EVENTOUT | |
| | PH1 | - | - | - | - | - | - | EVENTOUT | |
| | PH3 | - | - | - | - | - | - | EVENTOUT | |

1. Please refer to [Table 16](#) for AF0 to AF7.

5 Memory mapping

Figure 12. STM32L462xx memory map



MSv40981V1

Table 18. STM32L462xx memory map and peripheral register boundary addresses⁽¹⁾

| Bus | Boundary address | Size(bytes) | Peripheral |
|------|---------------------------|-------------|-----------------|
| AHB2 | 0x5006 0800 - 0x5006 0BFF | 1 KB | RNG |
| | 0x5006 0400 - 0x5006 07FF | 1 KB | Reserved |
| | 0x5006 0000 - 0x5006 03FF | 1 KB | AES |
| | 0x5004 0400 - 0x5005 FFFF | 126 KB | Reserved |
| | 0x5004 0000 - 0x5004 03FF | 1 KB | ADC |
| | 0x5000 0000 - 0x5003 FFFF | 16 KB | Reserved |
| | 0x4800 2000 - 0x4FFF FFFF | ~127 MB | Reserved |
| | 0x4800 1C00 - 0x4800 1FFF | 1 KB | GPIOH |
| | 0x4800 1400 - 0x4800 1BFF | 2 KB | Reserved |
| | 0x4800 1000 - 0x4800 13FF | 1 KB | GPIOE |
| | 0x4800 0C00 - 0x4800 0FFF | 1 KB | GPIOD |
| | 0x4800 0800 - 0x4800 0BFF | 1 KB | GPIOC |
| | 0x4800 0400 - 0x4800 07FF | 1 KB | GPIOB |
| | 0x4800 0000 - 0x4800 03FF | 1 KB | GPIOA |
| - | 0x4002 4400 - 0x47FF FFFF | ~127 MB | Reserved |
| AHB1 | 0x4002 4000 - 0x4002 43FF | 1 KB | TSC |
| | 0x4002 3400 - 0x4002 3FFF | 1 KB | Reserved |
| | 0x4002 3000 - 0x4002 33FF | 1 KB | CRC |
| | 0x4002 2400 - 0x4002 2FFF | 3 KB | Reserved |
| | 0x4002 2000 - 0x4002 23FF | 1 KB | FLASH registers |
| | 0x4002 1400 - 0x4002 1FFF | 3 KB | Reserved |
| | 0x4002 1000 - 0x4002 13FF | 1 KB | RCC |
| | 0x4002 0800 - 0x4002 0FFF | 2 KB | Reserved |
| | 0x4002 0400 - 0x4002 07FF | 1 KB | DMA2 |
| | 0x4002 0000 - 0x4002 03FF | 1 KB | DMA1 |

**Table 18. STM32L462xx memory map and peripheral register boundary addresses⁽¹⁾
(continued)**

| Bus | Boundary address | Size(bytes) | Peripheral |
|------|---------------------------|-------------|------------|
| APB2 | 0x4001 6400 - 0x4001 FFFF | 39 KB | Reserved |
| | 0x4001 6000 - 0x4000 63FF | 1 KB | DFSDM1 |
| | 0x4001 5800 - 0x4001 5FFF | 2 KB | Reserved |
| | 0x4001 5400 - 0x4000 57FF | 1 KB | SAI1 |
| | 0x4001 4800 - 0x4000 53FF | 3 KB | Reserved |
| | 0x4001 4400 - 0x4001 47FF | 1 KB | TIM16 |
| | 0x4001 4000 - 0x4001 43FF | 1 KB | TIM15 |
| | 0x4001 3C00 - 0x4001 3FFF | 1 KB | Reserved |
| | 0x4001 3800 - 0x4001 3BFF | 1 KB | USART1 |
| | 0x4001 3400 - 0x4001 37FF | 1 KB | Reserved |
| APB2 | 0x4001 3000 - 0x4001 33FF | 1 KB | SPI1 |
| | 0x4001 2C00 - 0x4001 2FFF | 1 KB | TIM1 |
| | 0x4001 2800 - 0x4001 2BFF | 1 KB | SDMMC1 |
| | 0x4001 2000 - 0x4001 27FF | 2 KB | Reserved |
| | 0x4001 1C00 - 0x4001 1FFF | 1 KB | FIREWALL |
| | 0x4001 0800 - 0x4001 1BFF | 5 KB | Reserved |
| | 0x4001 0400 - 0x4001 07FF | 1 KB | EXTI |
| | 0x4001 0200 - 0x4001 03FF | 1 KB | COMP |
| | 0x4001 0030 - 0x4001 01FF | | VREFBUF |
| | 0x4001 0000 - 0x4001 002F | | SYSCFG |

Table 18. STM32L462xx memory map and peripheral register boundary addresses⁽¹⁾
(continued)

| Bus | Boundary address | Size(bytes) | Peripheral |
|------|---------------------------|-------------|------------|
| APB1 | 0x4000 9800 - 0x4000 FFFF | 26 KB | Reserved |
| | 0x4000 9400 - 0x4000 97FF | 1 KB | LPTIM2 |
| | 0x4000 8800 - 0x4000 93FF | 3 KB | Reserved |
| | 0x4000 8400 - 0x4000 87FF | 1 KB | I2C4 |
| | 0x4000 8000 - 0x4000 83FF | 1 KB | LPUART1 |
| | 0x4000 7C00 - 0x4000 7FFF | 1 KB | LPTIM1 |
| | 0x4000 7800 - 0x4000 7BFF | 1 KB | OPAMP |
| | 0x4000 7400 - 0x4000 77FF | 1 KB | DAC1 |
| | 0x4000 7000 - 0x4000 73FF | 1 KB | PWR |
| | 0x4000 6C00 - 0x4000 6FFF | 1 KB | USB SRAM |
| | 0x4000 6800 - 0x4000 6BFF | 1 KB | USB FS |
| | 0x4000 6400 - 0x4000 67FF | 1 KB | CAN1 |
| | 0x4000 6000 - 0x4000 63FF | 1 KB | CRS |
| | 0x4000 5C00- 0x4000 5FFF | 1 KB | I2C3 |
| | 0x4000 5800 - 0x4000 5BFF | 1 KB | I2C2 |
| | 0x4000 5400 - 0x4000 57FF | 1 KB | I2C1 |
| | 0x4000 5000 - 0x4000 53FF | 1 KB | Reserved |
| | 0x4000 4C00 - 0x4000 4FFF | 1 KB | UART4 |
| | 0x4000 4800 - 0x4000 4BFF | 1 KB | USART3 |
| | 0x4000 4400 - 0x4000 47FF | 1 KB | USART2 |
| | 0x4000 4000 - 0x4000 43FF | 1 KB | Reserved |
| | 0x4000 3C00 - 0x4000 3FFF | 1 KB | SPI3 |
| | 0x4000 3800 - 0x4000 3BFF | 1 KB | SPI2 |
| | 0x4000 3400 - 0x4000 37FF | 1 KB | Reserved |
| | 0x4000 3000 - 0x4000 33FF | 1 KB | IWDG |
| | 0x4000 2C00 - 0x4000 2FFF | 1 KB | WWDG |
| APB1 | 0x4000 2800 - 0x4000 2BFF | 1 KB | RTC |
| | 0x4000 1400 - 0x4000 27FF | 5 KB | Reserved |
| | 0x4000 1000 - 0x4000 13FF | 1 KB | TIM6 |
| | 0x4000 0800- 0x4000 0FFF | 2 KB | Reserved |
| | 0x4000 0400 - 0x4000 07FF | 1 KB | TIM3 |
| | 0x4000 0000 - 0x4000 03FF | 1 KB | TIM2 |

1. The gray color is used for reserved boundary addresses.

6 Electrical characteristics

6.1 Parameter conditions

Unless otherwise specified, all voltages are referenced to V_{SS} .

6.1.1 Minimum and maximum values

Unless otherwise specified, the minimum and maximum values are guaranteed in the worst conditions of ambient temperature, supply voltage and frequencies by tests in production on 100% of the devices with an ambient temperature at $T_A = 25\text{ °C}$ and $T_A = T_{Amax}$ (given by the selected temperature range).

Data based on characterization results, design simulation and/or technology characteristics are indicated in the table footnotes and are not tested in production. Based on characterization, the minimum and maximum values refer to sample tests and represent the mean value plus or minus three times the standard deviation (mean $\pm 3\sigma$).

6.1.2 Typical values

Unless otherwise specified, typical data are based on $T_A = 25\text{ °C}$, $V_{DD} = V_{DDA} = 3\text{ V}$. They are given only as design guidelines and are not tested.

Typical ADC accuracy values are determined by characterization of a batch of samples from a standard diffusion lot over the full temperature range, where 95% of the devices have an error less than or equal to the value indicated (mean $\pm 2\sigma$).

6.1.3 Typical curves

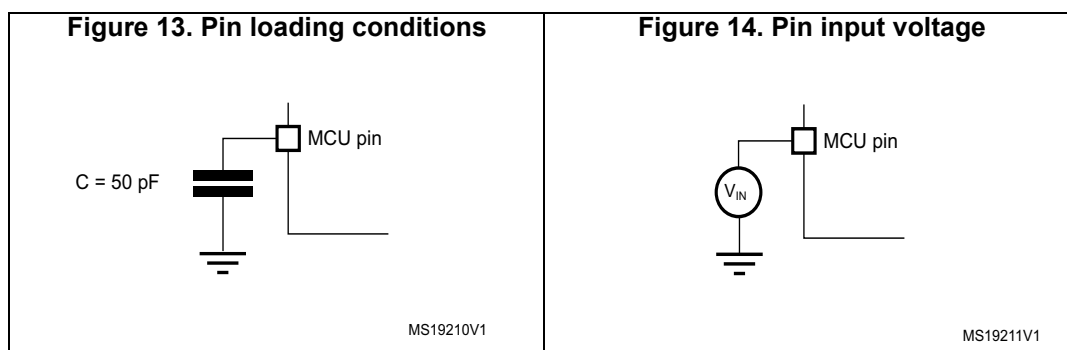
Unless otherwise specified, all typical curves are given only as design guidelines and are not tested.

6.1.4 Loading capacitor

The loading conditions used for pin parameter measurement are shown in [Figure 13](#).

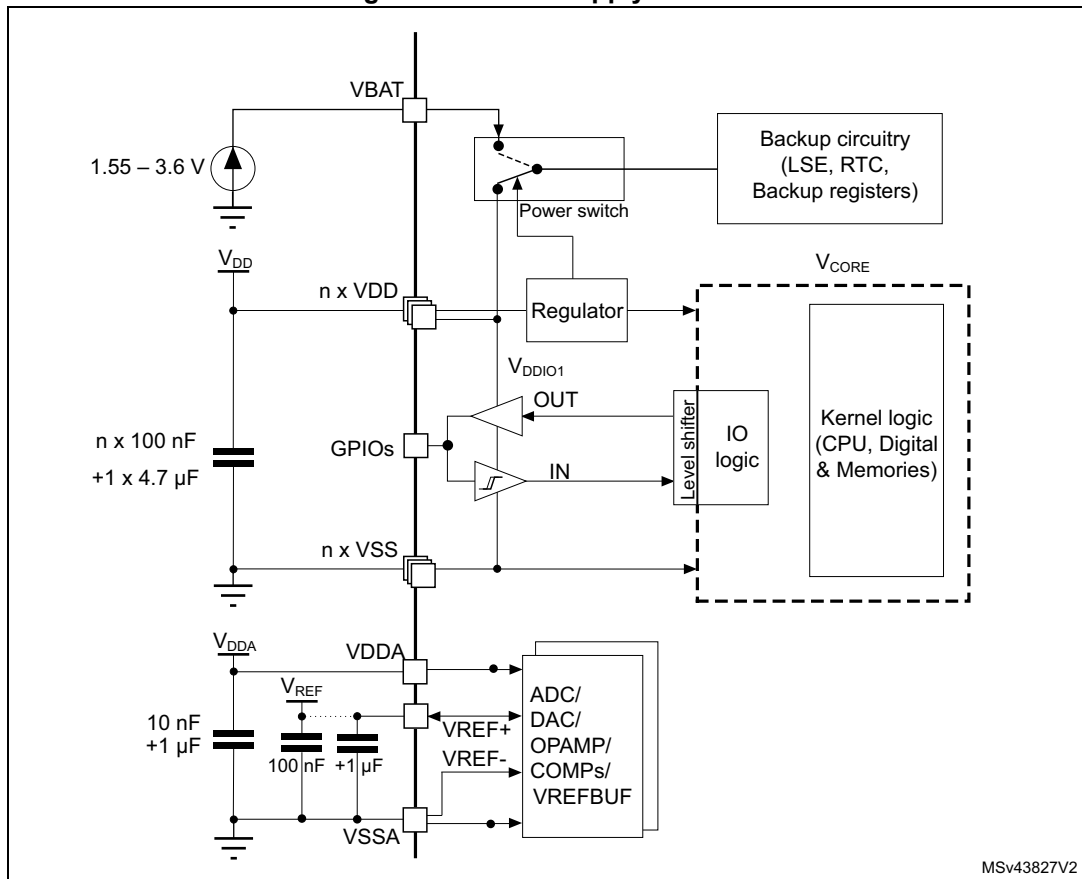
6.1.5 Pin input voltage

The input voltage measurement on a pin of the device is described in [Figure 14](#).



6.1.6 Power supply scheme

Figure 15. Power supply scheme

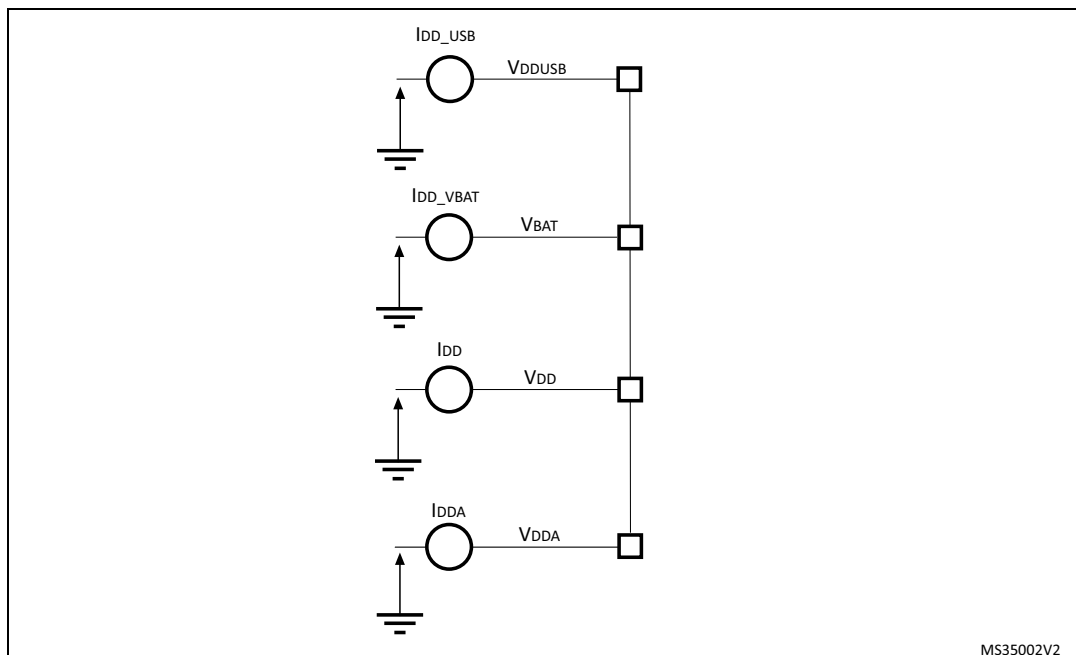


MSv43827V2

Caution: Each power supply pair (V_{DD}/V_{SS} , V_{DDA}/V_{SSA} etc.) must be decoupled with filtering ceramic capacitors as shown above. These capacitors must be placed as close as possible to, or below, the appropriate pins on the underside of the PCB to ensure the good functionality of the device.

6.1.7 Current consumption measurement

Figure 16. Current consumption measurement scheme



The I_{DD_ALL} parameters given in [Table 26](#) to [Table 38](#) represent the total MCU consumption including the current supplying V_{DD} , V_{DDA} , V_{DDUSB} and V_{BAT} .

6.2 Absolute maximum ratings

Stresses above the absolute maximum ratings listed in [Table 19: Voltage characteristics](#), [Table 20: Current characteristics](#) and [Table 21: Thermal characteristics](#) may cause permanent damage to the device. These are stress ratings only and functional operation of the device at these conditions is not implied. Exposure to maximum rating conditions for extended periods may affect device reliability. Exposure to maximum rating conditions for extended periods may affect device reliability. Device mission profile (application conditions) is compliant with JEDEC JESD47 qualification standard, extended mission profiles are available on demand.

Table 19. Voltage characteristics⁽¹⁾

| Symbol | Ratings | Min | Max | Unit |
|--------------------|--|--------------|---|------|
| $V_{DDX} - V_{SS}$ | External main supply voltage (including V_{DD} , V_{DDA} , V_{DDUSB} , V_{BAT}) | -0.3 | 4.0 | V |
| $V_{IN}^{(2)}$ | Input voltage on FT_XXX pins | $V_{SS}-0.3$ | $\min(V_{DD}, V_{DDA}, V_{DDUSB}) + 4.0^{(3)(4)}$ | V |
| | Input voltage on TT_XX pins | $V_{SS}-0.3$ | 4.0 | |
| | Input voltage on any other pins | $V_{SS}-0.3$ | 4.0 | |

Table 19. Voltage characteristics⁽¹⁾ (continued)

| Symbol | Ratings | Min | Max | Unit |
|--------------------|--|-----|-----|------|
| $ \Delta V_{DDx} $ | Variations between different V_{DDx} power pins of the same domain | - | 50 | mV |
| $ V_{SSx}-V_{SS} $ | Variations between all the different ground pins ⁽⁵⁾ | - | 50 | mV |

1. All main power (V_{DD} , V_{DDA} , V_{DDUSB} , V_{BAT}) and ground (V_{SS} , V_{SSA}) pins must always be connected to the external power supply, in the permitted range.
2. V_{IN} maximum must always be respected. Refer to [Table 20: Current characteristics](#) for the maximum allowed injected current values.
3. This formula has to be applied only on the power supplies related to the IO structure described in the pin definition table.
4. To sustain a voltage higher than 4 V the internal pull-up/pull-down resistors must be disabled.
5. Include VREF- pin.

Table 20. Current characteristics

| Symbol | Ratings | Max | Unit |
|-----------------------|---|----------------------|------|
| $\sum I_{V_{DD}}$ | Total current into sum of all V_{DD} power lines (source) ⁽¹⁾ | 140 | mA |
| $\sum I_{V_{SS}}$ | Total current out of sum of all V_{SS} ground lines (sink) ⁽¹⁾ | 140 | |
| $I_{V_{DD}(PIN)}$ | Maximum current into each V_{DD} power pin (source) ⁽¹⁾ | 100 | |
| $I_{V_{SS}(PIN)}$ | Maximum current out of each V_{SS} ground pin (sink) ⁽¹⁾ | 100 | |
| $I_{IO(PIN)}$ | Output current sunk by any I/O and control pin except FT_f | 20 | |
| | Output current sunk by any FT_f pin | 20 | |
| | Output current sourced by any I/O and control pin | 20 | |
| $\sum I_{IO(PIN)}$ | Total output current sunk by sum of all I/Os and control pins ⁽²⁾ | 100 | |
| | Total output current sourced by sum of all I/Os and control pins ⁽²⁾ | 100 | |
| $I_{INJ(PIN)}^{(3)}$ | Injected current on FT_xxx, TT_xx, RST and B pins, except PA4, PA5 | -5/+0 ⁽⁴⁾ | |
| | Injected current on PA4, PA5 | -5/0 | |
| $\sum I_{INJ(PIN)} $ | Total injected current (sum of all I/Os and control pins) ⁽⁵⁾ | 25 | |

1. All main power (V_{DD} , V_{DDA} , V_{DDUSB} , V_{BAT}) and ground (V_{SS} , V_{SSA}) pins must always be connected to the external power supplies, in the permitted range.
2. This current consumption must be correctly distributed over all I/Os and control pins. The total output current must not be sunk/sourced between two consecutive power supply pins referring to high pin count QFP packages.
3. Positive injection (when $V_{IN} > V_{DDIOx}$) is not possible on these I/Os and does not occur for input voltages lower than the specified maximum value.
4. A negative injection is induced by $V_{IN} < V_{SS}$. $I_{INJ(PIN)}$ must never be exceeded. Refer also to [Table 19: Voltage characteristics](#) for the maximum allowed input voltage values.
5. When several inputs are submitted to a current injection, the maximum $\sum |I_{INJ(PIN)}|$ is the absolute sum of the negative injected currents (instantaneous values).

Table 21. Thermal characteristics

| Symbol | Ratings | Value | Unit |
|-----------|------------------------------|-------------|------|
| T_{STG} | Storage temperature range | -65 to +150 | °C |
| T_J | Maximum junction temperature | 150 | °C |

6.3 Operating conditions

6.3.1 General operating conditions

Table 22. General operating conditions

| Symbol | Parameter | Conditions | Min | Max | Unit |
|--------------------|--|---|-------------|---|------|
| f _{HCLK} | Internal AHB clock frequency | - | 0 | 80 | MHz |
| f _{PCLK1} | Internal APB1 clock frequency | - | 0 | 80 | |
| f _{PCLK2} | Internal APB2 clock frequency | - | 0 | 80 | |
| V _{DD} | Standard operating voltage | - | 1.71 (1) | 3.6 | V |
| V _{DDA} | Analog supply voltage | ADC or COMP used | 1.62 | 3.6 | V |
| | | DAC or OPAMP used | 1.8 | | |
| | | VREFBUF used | 2.4 | | |
| | | ADC, DAC, OPAMP, COMP, VREFBUF not used | 0 | | |
| V _{BAT} | Backup operating voltage | - | 1.55 | 3.6 | V |
| V _{DDUSB} | USB supply voltage | USB used | 3.0 | 3.6 | V |
| | | USB not used | 0 | 3.6 | |
| V _{IN} | I/O input voltage | TT _{xx} I/O | -0.3 | V _{DDIOx} +0.3 | V |
| | | All I/O except TT _{xx} | -0.3 | Min(Min(V _{DD} , V _{DDA} , V _{DDUSB})+3.6 V, 5.5 V) ⁽²⁾⁽³⁾ | |
| P _D | Power dissipation at T _A = 85 °C for suffix 6 | LQFP100 | - | 357 | mW |
| | | UFBGA100 | - | 267 | |
| | | LQFP64 | - | 345 | |
| | | UFBGA64 | - | 308 | |
| | | WLCSP64 | - | 377 | |
| | | UFQFPN48 | - | 690 | |
| P _D | Power dissipation at T _A = 125 °C for suffix 3 ⁽⁴⁾ | LQFP100 | - | 89 | mW |
| | | UFBGA100 | - | 67 | |
| | | LQFP64 | - | 86 | |
| | | UFBGA64 | - | 77 | |
| | | WLCSP64 | - | 94 | |
| | | UFQFPN48 | - | 172 | |
| T _A | Ambient temperature for the suffix 6 version | Maximum power dissipation | -40 | 85 | °C |
| | | Low-power dissipation ⁽⁵⁾ | -40 | 105 | |
| | Ambient temperature for the suffix 3 version | Maximum power dissipation | -40 | 125 | |
| | | Low-power dissipation ⁽⁵⁾ | -40 | 130 | |

Table 22. General operating conditions (continued)

| Symbol | Parameter | Conditions | Min | Max | Unit |
|----------------|----------------------------|------------------|-----|-----|------|
| T _J | Junction temperature range | Suffix 6 version | -40 | 105 | °C |
| | | Suffix 3 version | -40 | 130 | |

1. When RESET is released functionality is guaranteed down to V_{BOR0} Min.
2. This formula has to be applied only on the power supplies related to the IO structure described by the pin definition table. Maximum I/O input voltage is the smallest value between Min(V_{DD}, V_{DDA}, V_{DDUSB})+3.6 V and 5.5V.
3. For operation with voltage higher than Min (V_{DD}, V_{DDA}, V_{DDUSB}) +0.3 V, the internal Pull-up and Pull-Down resistors must be disabled.
4. If T_A is lower, higher P_D values are allowed as long as T_J does not exceed T_{Jmax} (see [Section 7.7: Thermal characteristics](#)).
5. In low-power dissipation state, T_A can be extended to this range as long as T_J does not exceed T_{Jmax} (see [Section 7.7: Thermal characteristics](#)).

6.3.2 Operating conditions at power-up / power-down

The parameters given in [Table 23](#) are derived from tests performed under the ambient temperature condition summarized in [Table 22](#).

Table 23. Operating conditions at power-up / power-down

| Symbol | Parameter | Conditions | Min | Max | Unit |
|---------------------|-----------------------------------|------------|-----|-----|------|
| t _{VDD} | V _{DD} rise time rate | - | 0 | ∞ | µs/V |
| | V _{DD} fall time rate | | 10 | ∞ | |
| t _{VDDA} | V _{DDA} rise time rate | - | 0 | ∞ | µs/V |
| | V _{DDA} fall time rate | | 10 | ∞ | |
| t _{VDDUSB} | V _{DDUSB} rise time rate | - | 0 | ∞ | µs/V |
| | V _{DDUSB} fall time rate | | 10 | ∞ | |

The requirements for power-up/down sequence specified in [Section 3.9.1: Power supply schemes](#) must be respected.

6.3.3 Embedded reset and power control block characteristics

The parameters given in [Table 24](#) are derived from tests performed under the ambient temperature conditions summarized in [Table 22: General operating conditions](#).

Table 24. Embedded reset and power control block characteristics

| Symbol | Parameter | Conditions ⁽¹⁾ | Min | Typ | Max | Unit |
|--------------------------------------|--|---------------------------|------|------|------|------|
| t _{RSTTEMPO} ⁽²⁾ | Reset temporization after BOR0 is detected | V _{DD} rising | - | 250 | 400 | µs |
| V _{BOR0} ⁽²⁾ | Brown-out reset threshold 0 | Rising edge | 1.62 | 1.66 | 1.7 | V |
| | | Falling edge | 1.6 | 1.64 | 1.69 | |
| V _{BOR1} | Brown-out reset threshold 1 | Rising edge | 2.06 | 2.1 | 2.14 | V |
| | | Falling edge | 1.96 | 2 | 2.04 | |

Table 24. Embedded reset and power control block characteristics (continued)

| Symbol | Parameter | Conditions ⁽¹⁾ | Min | Typ | Max | Unit |
|-----------------------------------|--|-------------------------------|------|------|------|---------|
| V_{BOR2} | Brown-out reset threshold 2 | Rising edge | 2.26 | 2.31 | 2.35 | V |
| | | Falling edge | 2.16 | 2.20 | 2.24 | |
| V_{BOR3} | Brown-out reset threshold 3 | Rising edge | 2.56 | 2.61 | 2.66 | V |
| | | Falling edge | 2.47 | 2.52 | 2.57 | |
| V_{BOR4} | Brown-out reset threshold 4 | Rising edge | 2.85 | 2.90 | 2.95 | V |
| | | Falling edge | 2.76 | 2.81 | 2.86 | |
| V_{PVD0} | Programmable voltage detector threshold 0 | Rising edge | 2.1 | 2.15 | 2.19 | V |
| | | Falling edge | 2 | 2.05 | 2.1 | |
| V_{PVD1} | PVD threshold 1 | Rising edge | 2.26 | 2.31 | 2.36 | V |
| | | Falling edge | 2.15 | 2.20 | 2.25 | |
| V_{PVD2} | PVD threshold 2 | Rising edge | 2.41 | 2.46 | 2.51 | V |
| | | Falling edge | 2.31 | 2.36 | 2.41 | |
| V_{PVD3} | PVD threshold 3 | Rising edge | 2.56 | 2.61 | 2.66 | V |
| | | Falling edge | 2.47 | 2.52 | 2.57 | |
| V_{PVD4} | PVD threshold 4 | Rising edge | 2.69 | 2.74 | 2.79 | V |
| | | Falling edge | 2.59 | 2.64 | 2.69 | |
| V_{PVD5} | PVD threshold 5 | Rising edge | 2.85 | 2.91 | 2.96 | V |
| | | Falling edge | 2.75 | 2.81 | 2.86 | |
| V_{PVD6} | PVD threshold 6 | Rising edge | 2.92 | 2.98 | 3.04 | V |
| | | Falling edge | 2.84 | 2.90 | 2.96 | |
| V_{hyst_BORH0} | Hysteresis voltage of BORH0 | Hysteresis in continuous mode | - | 20 | - | mV |
| | | Hysteresis in other mode | - | 30 | - | |
| $V_{hyst_BOR_PVD}$ | Hysteresis voltage of BORH (except BORH0) and PVD | - | - | 100 | - | mV |
| I_{DD} (BOR_PVD) ⁽²⁾ | BOR ⁽³⁾ (except BOR0) and PVD consumption from V_{DD} | - | - | 1.1 | 1.6 | μ A |
| V_{PVM1} | V_{DDUSB} peripheral voltage monitoring | - | 1.18 | 1.22 | 1.26 | V |
| V_{PVM3} | V_{DDA} peripheral voltage monitoring | Rising edge | 1.61 | 1.65 | 1.69 | V |
| | | Falling edge | 1.6 | 1.64 | 1.68 | |
| V_{PVM4} | V_{DDA} peripheral voltage monitoring | Rising edge | 1.78 | 1.82 | 1.86 | V |
| | | Falling edge | 1.77 | 1.81 | 1.85 | |
| V_{hyst_PVM3} | PVM3 hysteresis | - | - | 10 | - | mV |
| V_{hyst_PVM4} | PVM4 hysteresis | - | - | 10 | - | mV |

Table 24. Embedded reset and power control block characteristics (continued)

| Symbol | Parameter | Conditions ⁽¹⁾ | Min | Typ | Max | Unit |
|--------------------------------|---|---------------------------|-----|-----|-----|---------------|
| I_{DD} (PVM1) (2) | PVM1 consumption from V_{DD} | - | - | 0.2 | - | μA |
| I_{DD} (PVM3/PVM4) (2) | PVM3 and PVM4 consumption from V_{DD} | - | - | 2 | - | μA |

1. Continuous mode means Run/Sleep modes, or temperature sensor enable in Low-power run/Low-power sleep modes.
2. Guaranteed by design.
3. BOR0 is enabled in all modes (except shutdown) and its consumption is therefore included in the supply current characteristics tables.

6.3.4 Embedded voltage reference

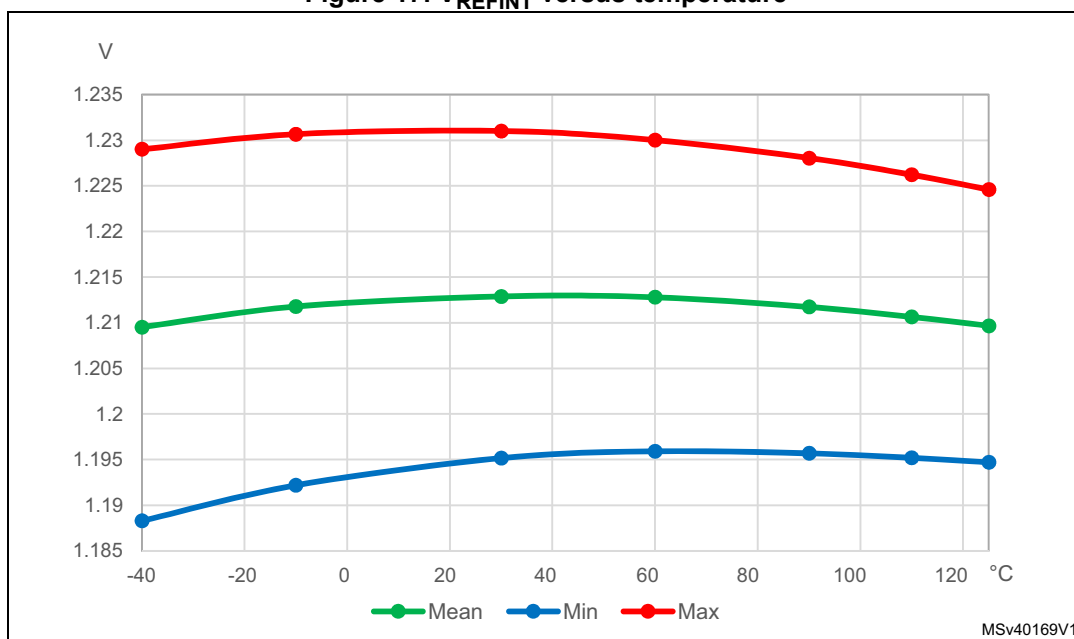
The parameters given in [Table 25](#) are derived from tests performed under the ambient temperature and supply voltage conditions summarized in [Table 22: General operating conditions](#).

Table 25. Embedded internal voltage reference

| Symbol | Parameter | Conditions | Min | Typ | Max | Unit |
|-------------------------|---|--|------------------|-------|---------------------|-------------------|
| V_{REFINT} | Internal reference voltage | $-40\text{ °C} < T_A < +130\text{ °C}$ | 1.182 | 1.212 | 1.232 | V |
| $t_{S_vrefint}^{(1)}$ | ADC sampling time when reading the internal reference voltage | - | 4 ⁽²⁾ | - | - | μs |
| $t_{start_vrefint}$ | Start time of reference voltage buffer when ADC is enable | - | - | 8 | 12 ⁽²⁾ | μs |
| $I_{DD}(V_{REFINTBUF})$ | V_{REFINT} buffer consumption from V_{DD} when converted by ADC | - | - | 12.5 | 20 ⁽²⁾ | μA |
| ΔV_{REFINT} | Internal reference voltage spread over the temperature range | $V_{DD} = 3\text{ V}$ | - | 5 | 7.5 ⁽²⁾ | mV |
| T_{Coeff} | Temperature coefficient | $-40\text{ °C} < T_A < +130\text{ °C}$ | - | 30 | 50 ⁽²⁾ | ppm/°C |
| A_{Coeff} | Long term stability | 1000 hours, $T = 25\text{ °C}$ | - | 300 | 1000 ⁽²⁾ | ppm |
| $V_{DDCcoeff}$ | Voltage coefficient | $3.0\text{ V} < V_{DD} < 3.6\text{ V}$ | - | 250 | 1200 ⁽²⁾ | ppm/V |
| V_{REFINT_DIV1} | 1/4 reference voltage | - | 24 | 25 | 26 | % V_{REFINT} |
| V_{REFINT_DIV2} | 1/2 reference voltage | | 49 | 50 | 51 | |
| V_{REFINT_DIV3} | 3/4 reference voltage | | 74 | 75 | 76 | |

1. The shortest sampling time can be determined in the application by multiple iterations.
2. Guaranteed by design.

Figure 17. V_{REFINT} versus temperature



6.3.5 Supply current characteristics

The current consumption is a function of several parameters and factors such as the operating voltage, ambient temperature, I/O pin loading, device software configuration, operating frequencies, I/O pin switching rate, program location in memory and executed binary code.

The current consumption is measured as described in [Figure 16: Current consumption measurement scheme](#).

Typical and maximum current consumption

The MCU is placed under the following conditions:

- All I/O pins are in analog input mode
- All peripherals are disabled except when explicitly mentioned
- The Flash memory access time is adjusted with the minimum wait states number, depending on the f_{HCLK} frequency (refer to the table “Number of wait states according to CPU clock (HCLK) frequency” available in the RM0394 reference manual).
- When the peripherals are enabled $f_{PCLK} = f_{HCLK}$

The parameters given in [Table 26](#) to [Table 39](#) are derived from tests performed under ambient temperature and supply voltage conditions summarized in [Table 22: General operating conditions](#).

Table 26. Current consumption in Run and Low-power run modes, code with data processing running from Flash, ART enable (Cache ON Prefetch OFF)

| Symbol | Parameter | Conditions | | | TYP | | | | | MAX ⁽¹⁾ | | | | | Unit |
|-----------------------------|--------------------------------------|--|-----------------|-------------------|-------|-------|-------|--------|--------|--------------------|-------|-------|--------|--------|------|
| | | - | Voltage scaling | f _{HCLK} | 25 °C | 55 °C | 85 °C | 105 °C | 125 °C | 25 °C | 55 °C | 85 °C | 105 °C | 125 °C | |
| I _{DD_ALL} (Run) | Supply current in Run mode | f _{HCLK} = f _{HSE} up to 48MHz included, bypass mode PLL ON above 48 MHz all peripherals disable | Range 2 | 26 MHz | 2.35 | 2.40 | 2.50 | 2.65 | 3.00 | 2.65 | 2.75 | 2.90 | 3.20 | 3.75 | mA |
| | | | | 16 MHz | 1.50 | 1.55 | 1.65 | 1.80 | 2.15 | 1.70 | 1.75 | 1.95 | 2.20 | 2.80 | |
| | | | | 8 MHz | 0.815 | 0.845 | 0.940 | 1.10 | 1.45 | 0.95 | 1.00 | 1.15 | 1.45 | 2.00 | |
| | | | | 4 MHz | 0.465 | 0.495 | 0.595 | 0.760 | 1.10 | 0.55 | 0.60 | 0.75 | 1.05 | 1.60 | |
| | | | | 2 MHz | 0.295 | 0.320 | 0.420 | 0.580 | 0.910 | 0.35 | 0.40 | 0.55 | 0.85 | 1.40 | |
| | | | | 1 MHz | 0.205 | 0.235 | 0.330 | 0.495 | 0.825 | 0.25 | 0.30 | 0.45 | 0.75 | 1.30 | |
| | | | | 100 kHz | 0.130 | 0.155 | 0.250 | 0.415 | 0.745 | 0.15 | 0.25 | 0.40 | 0.65 | 1.25 | |
| | | | Range 1 | 80 MHz | 8.45 | 8.50 | 8.65 | 8.90 | 9.25 | 9.45 | 9.50 | 9.75 | 10.10 | 10.75 | |
| | | | | 72 MHz | 7.65 | 7.70 | 7.85 | 8.05 | 8.45 | 8.50 | 8.60 | 8.80 | 9.15 | 9.85 | |
| | | | | 64 MHz | 6.80 | 6.85 | 7.00 | 7.20 | 7.60 | 7.60 | 7.70 | 7.90 | 8.25 | 8.90 | |
| | | | | 48 MHz | 5.10 | 5.15 | 5.25 | 5.45 | 5.85 | 5.70 | 5.80 | 6.00 | 6.35 | 7.00 | |
| | | | | 32 MHz | 3.45 | 3.50 | 3.60 | 3.80 | 4.20 | 3.85 | 3.95 | 4.15 | 4.50 | 5.15 | |
| | | | | 24 MHz | 2.60 | 2.65 | 2.80 | 2.95 | 3.35 | 2.95 | 3.05 | 3.20 | 3.55 | 4.20 | |
| | | | | 16 MHz | 1.80 | 1.85 | 1.95 | 2.15 | 2.50 | 2.00 | 2.10 | 2.30 | 2.60 | 3.25 | |
| I _{DD_ALL} (LPRun) | Supply current in Low-power run mode | f _{HCLK} = f _{MSI} all peripherals disable | 2 MHz | 225 | 260 | 365 | 550 | 900 | 275 | 335 | 470 | 770 | 1400 | μA | |
| | | | 1 MHz | 130 | 160 | 270 | 450 | 800 | 170 | 225 | 375 | 670 | 1300 | | |
| | | | 400 kHz | 73.0 | 99.5 | 205 | 385 | 735 | 105 | 165 | 325 | 600 | 1250 | | |
| | | | 100 kHz | 38.0 | 71.0 | 175 | 355 | 705 | 70 | 140 | 315 | 565 | 1200 | | |

1. Guaranteed by characterization results, unless otherwise specified.



Table 27. Current consumption in Run and Low-power run modes, code with data processing running from Flash, ART disable

| Symbol | Parameter | Conditions | | | TYP | | | | | MAX ⁽¹⁾ | | | | | Unit |
|-----------------------------|---------------------------------|--|-----------------|-------------------|-------|-------|-------|--------|--------|--------------------|-------|-------|--------|--------|------|
| | | - | Voltage scaling | f _{HCLK} | 25 °C | 55 °C | 85 °C | 105 °C | 125 °C | 25 °C | 55 °C | 85 °C | 105 °C | 125 °C | |
| I _{DD_ALL} (Run) | Supply current in Run mode | f _{HCLK} = f _{HSE} up to 48MHz included, bypass mode PLL ON above 48 MHz all peripherals disable | Range 2 | 26 MHz | 2.75 | 2.80 | 2.90 | 3.10 | 3.40 | 3.15 | 3.25 | 3.40 | 3.70 | 4.30 | mA |
| | | | | 16 MHz | 1.95 | 2.00 | 2.10 | 2.25 | 2.60 | 2.25 | 2.30 | 2.50 | 2.75 | 3.35 | |
| | | | | 8 MHz | 1.10 | 1.15 | 1.25 | 1.40 | 1.75 | 1.25 | 1.35 | 1.50 | 1.75 | 2.35 | |
| | | | | 4 MHz | 0.640 | 0.670 | 0.765 | 0.935 | 1.25 | 0.75 | 0.80 | 0.95 | 1.25 | 1.80 | |
| | | | | 2 MHz | 0.380 | 0.405 | 0.505 | 0.670 | 1.00 | 0.45 | 0.50 | 0.65 | 0.95 | 1.50 | |
| | | | | 1 MHz | 0.250 | 0.275 | 0.375 | 0.540 | 0.865 | 0.30 | 0.35 | 0.50 | 0.80 | 1.35 | |
| | | | Range 1 | 100 kHz | 0.135 | 0.160 | 0.255 | 0.420 | 0.750 | 0.15 | 0.25 | 0.40 | 0.65 | 1.25 | |
| | | | | 80 MHz | 8.85 | 8.90 | 9.05 | 9.30 | 9.70 | 10.0 | 10.5 | 10.5 | 11.0 | 11.5 | |
| | | | | 72 MHz | 8.00 | 8.05 | 8.20 | 8.40 | 8.85 | 9.05 | 9.15 | 9.35 | 9.70 | 10.5 | |
| | | | | 64 MHz | 7.90 | 7.95 | 8.10 | 8.35 | 8.75 | 8.95 | 9.10 | 9.35 | 9.70 | 10.5 | |
| | | | | 48 MHz | 6.60 | 6.65 | 6.80 | 7.05 | 7.45 | 7.55 | 7.65 | 7.90 | 8.30 | 9.00 | |
| | | | | 32 MHz | 4.75 | 4.80 | 4.95 | 5.15 | 5.55 | 5.40 | 5.50 | 5.75 | 6.10 | 6.80 | |
| | | | | 24 MHz | 3.60 | 3.65 | 3.80 | 4.00 | 4.35 | 4.10 | 4.20 | 4.40 | 4.75 | 5.40 | |
| | | | | 16 MHz | 2.60 | 2.65 | 2.75 | 2.95 | 3.35 | 3.00 | 3.05 | 3.25 | 3.60 | 4.25 | |
| I _{DD_ALL} (LPRun) | Supply current in Low-power run | f _{HCLK} = f _{MSI} all peripherals disable | 2 MHz | 340 | 360 | 470 | 650 | 1000 | 400 | 455 | 575 | 880 | 1550 | μA | |
| | | | 1 MHz | 175 | 215 | 320 | 500 | 855 | 225 | 285 | 420 | 720 | 1350 | | |
| | | | 400 kHz | 89.5 | 120 | 225 | 405 | 760 | 130 | 185 | 340 | 620 | 1250 | | |
| | | | 100 kHz | 42.5 | 75.5 | 180 | 360 | 715 | 75 | 145 | 320 | 575 | 1200 | | |

1. Guaranteed by characterization results, unless otherwise specified.

Table 28. Current consumption in Run and Low-power run modes, code with data processing running from SRAM1

| Symbol | Parameter | Conditions | | | TYP | | | | | MAX ⁽¹⁾ | | | | | Unit |
|-----------------------------|--------------------------------------|--|-----------------|-------------------|-------|-------|-------|--------|--------|--------------------|-------|-------|--------|--------|------|
| | | - | Voltage scaling | f _{HCLK} | 25 °C | 55 °C | 85 °C | 105 °C | 125 °C | 25 °C | 55 °C | 85 °C | 105 °C | 125 °C | |
| I _{DD_ALL} (Run) | Supply current in Run mode | f _{HCLK} = f _{HSE} up to 48MHz included, bypass mode PLL ON above 48 MHz all peripherals disable | Range 2 | 26 MHz | 2.40 | 2.40 | 2.55 | 2.70 | 3.05 | 2.70 | 2.75 | 2.90 | 3.20 | 3.80 | mA |
| | | | | 16 MHz | 1.50 | 1.55 | 1.65 | 1.80 | 2.15 | 1.70 | 1.80 | 1.95 | 2.25 | 2.80 | |
| | | | | 8 MHz | 0.820 | 0.850 | 0.950 | 1.10 | 1.45 | 0.95 | 1.00 | 1.15 | 1.45 | 2.00 | |
| | | | | 4 MHz | 0.470 | 0.500 | 0.600 | 0.765 | 1.10 | 0.55 | 0.60 | 0.75 | 1.05 | 1.60 | |
| | | | | 2 MHz | 0.295 | 0.325 | 0.420 | 0.585 | 0.915 | 0.35 | 0.40 | 0.55 | 0.85 | 1.40 | |
| | | | | 1 MHz | 0.210 | 0.235 | 0.330 | 0.495 | 0.825 | 0.25 | 0.30 | 0.45 | 0.75 | 1.30 | |
| | | | | 100 kHz | 0.130 | 0.155 | 0.250 | 0.415 | 0.750 | 0.15 | 0.25 | 0.35 | 0.65 | 1.25 | |
| | | | Range 1 | 80 MHz | 8.55 | 8.60 | 8.75 | 8.95 | 9.35 | 9.55 | 9.65 | 9.85 | 10.5 | 11.0 | |
| | | | | 72 MHz | 7.70 | 7.80 | 7.90 | 8.15 | 8.50 | 8.60 | 8.70 | 8.90 | 9.25 | 9.95 | |
| | | | | 64 MHz | 6.90 | 6.95 | 7.10 | 7.30 | 7.70 | 7.70 | 7.75 | 7.95 | 8.35 | 9.00 | |
| | | | | 48 MHz | 5.15 | 5.20 | 5.30 | 5.55 | 5.90 | 5.75 | 5.85 | 6.05 | 6.40 | 7.05 | |
| | | | | 32 MHz | 3.45 | 3.50 | 3.65 | 3.85 | 4.25 | 3.90 | 4.00 | 4.20 | 4.50 | 5.15 | |
| | | | | 24 MHz | 2.65 | 2.70 | 2.80 | 3.00 | 3.40 | 3.00 | 3.05 | 3.25 | 3.55 | 4.20 | |
| | | | | 16 MHz | 1.80 | 1.85 | 1.95 | 2.15 | 2.55 | 2.05 | 2.10 | 2.30 | 2.60 | 3.25 | |
| I _{DD_ALL} (LPRun) | Supply current in low-power run mode | f _{HCLK} = f _{MSI} all peripherals disable FLASH in power-down | 2 MHz | 220 | 255 | 360 | 540 | 895 | 270 | 330 | 460 | 760 | 1400 | μA | |
| | | | 1 MHz | 120 | 155 | 260 | 440 | 795 | 165 | 215 | 370 | 660 | 1300 | | |
| | | | 400 kHz | 60.0 | 92.0 | 195 | 375 | 730 | 100 | 160 | 330 | 585 | 1250 | | |
| | | | 100 kHz | 36.0 | 62.5 | 165 | 345 | 695 | 63.0 | 130 | 305 | 555 | 1200 | | |

1. Guaranteed by characterization results, unless otherwise specified.

Table 29. Typical current consumption in Run and Low-power run modes, with different codes running from Flash, ART enable (Cache ON Prefetch OFF)

| Symbol | Parameter | Conditions | | | TYP | Unit | TYP | Unit |
|-----------------------------|---------------------------------|---|---------------------------------------|-----------------------------|-------|------|-------|--------|
| | | - | Voltage scaling | Code | 25 °C | | 25 °C | |
| I _{DD_ALL} (Run) | Supply current in Run mode | f _{HCLK} = f _{HSE} up to 48 MHz included, bypass mode PLL ON above 48 MHz all peripherals disable | Range 2 f _{HCLK} = 26 MHz | Reduced code ⁽¹⁾ | 2.35 | mA | 90 | μA/MHz |
| | | | | Coremark | 2.65 | | 102 | |
| | | | | Dhrystone 2.1 | 2.75 | | 106 | |
| | | | | Fibonacci | 2.60 | | 100 | |
| | | | | While(1) | 2.35 | | 90 | |
| | | | Range 1 f _{HCLK} = 80 MHz | Reduced code ⁽¹⁾ | 8.45 | mA | 106 | μA/MHz |
| | | | | Coremark | 9.45 | | 118 | |
| | | | | Dhrystone 2.1 | 9.85 | | 123 | |
| | | | | Fibonacci | 9.25 | | 116 | |
| | | | | While(1) | 8.45 | | 106 | |
| I _{DD_ALL} (LPRun) | Supply current in Low-power run | f _{HCLK} = f _{MSI} = 2 MHz all peripherals disable | | Reduced code ⁽¹⁾ | 225 | μA | 113 | μA/MHz |
| | | | | Coremark | 260 | | 130 | |
| | | | | Dhrystone 2.1 | 270 | | 135 | |
| | | | | Fibonacci | 245 | | 123 | |
| | | | | While(1) | 285 | | 143 | |

1. Reduced code used for characterization results provided in [Table 26](#), [Table 27](#), [Table 28](#).

Table 30. Typical current consumption in Run and Low-power run modes, with different codes running from Flash, ART disable

| Symbol | Parameter | Conditions | | | TYP | Unit | TYP | Unit |
|-----------------------------|---------------------------------|---|---------------------------------------|-----------------------------|-------|------|--------|--------|
| | | - | Voltage scaling | Code | 25 °C | | 25 °C | |
| I _{DD_ALL} (Run) | Supply current in Run mode | f _{HCLK} = f _{HSE} up to 48 MHz included, bypass mode PLL ON above 48 MHz all peripherals disable | Range 2 f _{HCLK} = 26 MHz | Reduced code ⁽¹⁾ | 2.75 | mA | 106 | μA/MHz |
| | | | | Coremark | 2.50 | | 96 | |
| | | | | Dhrystone 2.1 | 2.50 | | 96 | |
| | | | | Fibonacci | 2.30 | | 88 | |
| | | | | While(1) | 2.20 | | 84.6 | |
| | | | Range 1 f _{HCLK} = 80 MHz | Reduced code ⁽¹⁾ | 8.85 | mA | 111 | μA/MHz |
| | | | | Coremark | 8.15 | | 102 | |
| | | | | Dhrystone 2.1 | 8.15 | | 102 | |
| | | | | Fibonacci | 7.55 | | 94 | |
| | | | | While(1) | 7.95 | | 99 | |
| I _{DD_ALL} (LPRun) | Supply current in Low-power run | f _{HCLK} = f _{MSI} = 2 MHz all peripherals disable | Reduced code ⁽¹⁾ | 340 | μA | 170 | μA/MHz | |
| | | | Coremark | 380 | | 190 | | |
| | | | Dhrystone 2.1 | 355 | | 178 | | |
| | | | Fibonacci | 355 | | 178 | | |
| | | | While(1) | 405 | | 203 | | |

1. Reduced code used for characterization results provided in [Table 26](#), [Table 27](#), [Table 28](#).

Table 31. Typical current consumption in Run and Low-power run modes, with different codes running from SRAM1

| Symbol | Parameter | Conditions | | | TYP | Unit | TYP | Unit |
|-----------------------------|---------------------------------|---|---------------------------------------|-----------------------------|-------|------|--------|--------|
| | | - | Voltage scaling | Code | 25 °C | | 25 °C | |
| I _{DD_ALL} (Run) | Supply current in Run mode | f _{HCLK} = f _{HSE} up to 48 MHz included, bypass mode PLL ON above 48 MHz all peripherals disable | Range 2 f _{HCLK} = 26 MHz | Reduced code ⁽¹⁾ | 2.40 | mA | 92 | μA/MHz |
| | | | | Coremark | 2.20 | | 85 | |
| | | | | Dhrystone 2.1 | 2.35 | | 90 | |
| | | | | Fibonacci | 2.20 | | 85 | |
| | | | | While(1) | 2.30 | | 88 | |
| | | | Range 1 f _{HCLK} = 80 MHz | Reduced code ⁽¹⁾ | 8.55 | mA | 107 | μA/MHz |
| | | | | Coremark | 7.75 | | 97 | |
| | | | | Dhrystone 2.1 | 8.45 | | 106 | |
| | | | | Fibonacci | 7.80 | | 98 | |
| | | | | While(1) | 8.75 | | 109 | |
| I _{DD_ALL} (LPRun) | Supply current in Low-power run | f _{HCLK} = f _{MSI} = 2 MHz all peripherals disable | Reduced code ⁽¹⁾ | 220 | μA | 110 | μA/MHz | |
| | | | Coremark | 190 | | 95 | | |
| | | | Dhrystone 2.1 | 215 | | 108 | | |
| | | | Fibonacci | 200 | | 100 | | |
| | | | While(1) | 210 | | 105 | | |

1. Reduced code used for characterization results provided in [Table 26](#), [Table 27](#), [Table 28](#).





Table 32. Current consumption in Sleep and Low-power sleep modes, Flash ON

| Symbol | Parameter | Conditions | | | TYP | | | | | MAX ⁽¹⁾ | | | | | Unit |
|-------------------------------|---|---|-----------------|-------------------|-------|-------|-------|--------|--------|--------------------|-------|-------|--------|--------|------|
| | | - | Voltage scaling | f _{HCLK} | 25 °C | 55 °C | 85 °C | 105 °C | 125 °C | 25 °C | 55 °C | 85 °C | 105 °C | 125 °C | |
| I _{DD_ALL} (Sleep) | Supply current in sleep mode, pII ON above 48 MHz all peripherals disable | f _{HCLK} = f _{HSE} up to 48 MHz included, bypass mode | Range 2 | 26 MHz | 0.700 | 0.730 | 0.830 | 1.00 | 1.35 | 0.80 | 0.90 | 1.05 | 1.30 | 1.90 | mA |
| | | | | 16 MHz | 0.475 | 0.505 | 0.605 | 0.775 | 1.10 | 0.55 | 0.65 | 0.80 | 1.05 | 1.65 | |
| | | | | 8 MHz | 0.300 | 0.325 | 0.425 | 0.590 | 0.920 | 0.35 | 0.45 | 0.60 | 0.85 | 1.45 | |
| | | | | 4 MHz | 0.210 | 0.235 | 0.335 | 0.500 | 0.830 | 0.25 | 0.30 | 0.45 | 0.75 | 1.35 | |
| | | | | 2 MHz | 0.165 | 0.190 | 0.290 | 0.455 | 0.785 | 0.20 | 0.25 | 0.40 | 0.70 | 1.25 | |
| | | | | 1 MHz | 0.145 | 0.170 | 0.265 | 0.430 | 0.760 | 0.15 | 0.25 | 0.40 | 0.65 | 1.25 | |
| | | | 100 kHz | 0.125 | 0.150 | 0.245 | 0.410 | 0.740 | 0.15 | 0.20 | 0.35 | 0.65 | 1.20 | | |
| | | | Range 1 | 80 MHz | 2.30 | 2.35 | 2.45 | 2.65 | 3.05 | 2.55 | 2.65 | 2.85 | 3.15 | 3.80 | |
| | | | | 72 MHz | 2.10 | 2.15 | 2.25 | 2.45 | 2.80 | 2.35 | 2.40 | 2.60 | 2.90 | 3.55 | |
| | | | | 64 MHz | 1.90 | 1.90 | 2.05 | 2.25 | 2.60 | 2.10 | 2.20 | 2.35 | 2.70 | 3.35 | |
| | | | | 48 MHz | 1.40 | 1.40 | 1.55 | 1.75 | 2.15 | 1.60 | 1.65 | 1.85 | 2.15 | 2.80 | |
| | | | | 32 MHz | 0.970 | 1.00 | 1.15 | 1.30 | 1.70 | 1.10 | 1.20 | 1.40 | 1.70 | 2.35 | |
| | | | | 24 MHz | 0.765 | 0.800 | 0.920 | 1.10 | 1.50 | 0.90 | 0.95 | 1.15 | 1.45 | 2.10 | |
| 16 MHz | 0.555 | 0.590 | | 0.705 | 0.895 | 1.25 | 0.65 | 0.75 | 0.90 | 1.20 | 1.85 | | | | |
| I _{DD_ALL} (LPSleep) | Supply current in low-power sleep mode | f _{HCLK} = f _{MSI} all peripherals disable | 2 MHz | 76.0 | 110 | 215 | 395 | 745 | 120 | 185 | 355 | 610 | 1250 | μA | |
| | | | 1 MHz | 54.0 | 86.5 | 195 | 370 | 725 | 88.5 | 160 | 335 | 585 | 1250 | | |
| | | | 400 kHz | 39.0 | 70.5 | 175 | 355 | 710 | 68.5 | 140 | 320 | 570 | 1200 | | |
| | | | 100 kHz | 35.5 | 75.0 | 195 | 345 | 715 | 66.0 | 130 | 305 | 560 | 1200 | | |

1. Guaranteed by characterization results, unless otherwise specified.

Table 33. Current consumption in Low-power sleep modes, Flash in power-down

| Symbol | Parameter | Conditions | | | TYP | | | | | MAX ⁽¹⁾ | | | | | Unit | |
|----------------------------------|--|---|-----------------|-------------------|---------|-------|-------|--------|--------|--------------------|-------|-------|--------|--------|------|----|
| | | - | Voltage scaling | f _{HCLK} | 25 °C | 55 °C | 85 °C | 105 °C | 125 °C | 25 °C | 55 °C | 85 °C | 105 °C | 125 °C | | |
| I _{DD_ALL} (LPSleep) | Supply current in low-power sleep mode | f _{HCLK} = f _{MSI} all peripherals disable | | | 2 MHz | 76.5 | 105 | 220 | 410 | 740 | 110 | 175 | 350 | 600 | 1250 | μA |
| | | | | | 1 MHz | 54.0 | 81.0 | 195 | 385 | 715 | 81.5 | 155 | 325 | 570 | 1200 | |
| | | | | | 400 kHz | 28.0 | 64.5 | 175 | 370 | 695 | 60.5 | 130 | 305 | 555 | 1200 | |
| | | | | | 100 kHz | 21.5 | 55.0 | 170 | 360 | 690 | 58.5 | 120 | 300 | 550 | 1200 | |

1. Guaranteed by characterization results, unless otherwise specified.

Table 34. Current consumption in Stop 2 mode

| Symbol | Parameter | Conditions | | TYP | | | | | MAX ⁽¹⁾ | | | | | Unit | | |
|--|---|--|-----------------|-------|-------|-------|--------|--------|--------------------|-------|-------|--------|--------|------|----|----|
| | | - | V _{DD} | 25 °C | 55 °C | 85 °C | 105 °C | 125 °C | 25 °C | 55 °C | 85 °C | 105 °C | 125 °C | | | |
| I _{DD_ALL} (Stop 2) | Supply current in Stop 2 mode, RTC disabled | - | | 1.8 V | 2.05 | 5.40 | 19.0 | 44.0 | 97.0 | 4.00 | 11.5 | 41.5 | 100 | 220 | μA | |
| | | | | 2.4 V | 2.10 | 5.45 | 19.0 | 44.5 | 98.5 | 4.05 | 11.5 | 42.0 | 100 | 225 | | |
| | | | | 3 V | 2.05 | 5.55 | 19.5 | 45.0 | 100 | 4.10 | 12.0 | 43.0 | 105 | 230 | | |
| | | | | 3.6 V | 2.05 | 5.65 | 20.0 | 46.5 | 105 | 4.20 | 12.0 | 44.0 | 105 | 235 | | |
| I _{DD_ALL} (Stop 2 with RTC) | Supply current in Stop 2 mode, RTC enabled | RTC clocked by LSI | | 1.8 V | 2.30 | 5.65 | 19.0 | 44.0 | 97.0 | 4.50 | 12.0 | 42.0 | 100 | 220 | μA | |
| | | | | 2.4 V | 2.35 | 5.80 | 19.5 | 44.5 | 99.0 | 4.65 | 12.0 | 42.5 | 100 | 225 | | |
| | | | | 3 V | 2.50 | 5.90 | 20.0 | 45.5 | 100 | 4.90 | 12.5 | 43.5 | 105 | 230 | | |
| | | | | 3.6 V | 2.60 | 6.15 | 20.5 | 47.0 | 105 | 5.20 | 13.0 | 44.5 | 105 | 235 | | |
| | | RTC clocked by LSE bypassed at 32768 Hz | | 1.8 V | 2.60 | 6.05 | 21.0 | 48.0 | 97.0 | - | - | - | - | - | | μA |
| | | | | 2.4 V | 2.55 | 6.20 | 21.0 | 49.0 | 98.5 | - | - | - | - | - | | |
| | | | | 3 V | 2.80 | 6.35 | 21.5 | 49.5 | 100 | - | - | - | - | - | | |
| | | | | 3.6 V | 2.85 | 6.60 | 22.5 | 51.5 | 105 | - | - | - | - | - | | |
| | | RTC clocked by LSE quartz ⁽²⁾ in low drive mode | | 1.8 V | 2.40 | 5.70 | 19.0 | 44.5 | 98.0 | - | - | - | - | - | | μA |
| | | | | 2.4 V | 2.50 | 5.85 | 19.5 | 45.0 | 99.5 | - | - | - | - | - | | |
| | | | | 3 V | 2.60 | 6.00 | 20.0 | 46.0 | 100 | - | - | - | - | - | | |
| | | | | 3.6 V | 2.65 | 6.25 | 20.5 | 47.0 | 105 | - | - | - | - | - | | |



Table 34. Current consumption in Stop 2 mode (continued)

| Symbol | Parameter | Conditions | | TYP | | | | | MAX ⁽¹⁾ | | | | | Unit |
|---|---|---|-----------------|-------|-------|-------|--------|--------|--------------------|-------|-------|--------|--------|------|
| | | - | V _{DD} | 25 °C | 55 °C | 85 °C | 105 °C | 125 °C | 25 °C | 55 °C | 85 °C | 105 °C | 125 °C | |
| I _{DD_ALL} (wakeup from Stop 2) | Supply current during wakeup from Stop 2 mode | Wakeup clock is MSI = 48 MHz, voltage Range 1. See ⁽³⁾ . | 3 V | 1.85 | - | - | - | - | - | - | - | - | - | mA |
| | | Wakeup clock is MSI = 4 MHz, voltage Range 2. See ⁽³⁾ . | 3 V | 1.50 | - | - | - | - | - | - | - | - | - | |
| | | Wakeup clock is HSI16 = 16 MHz, voltage Range 1. See ⁽³⁾ . | 3 V | 1.55 | - | - | - | - | - | - | - | - | - | |

1. Guaranteed based on test during characterization, unless otherwise specified.
2. Based on characterization done with a 32.768 kHz crystal (MC306-G-06Q-32.768, manufacturer JFVNY) with two 6.8 pF loading capacitors.
3. Wakeup with code execution from Flash. Average value given for a typical wakeup time as specified in [Table 41: Low-power mode wakeup timings](#).

Table 35. Current consumption in Stop 1 mode

| Symbol | Parameter | Conditions | | TYP | | | | | MAX ⁽¹⁾ | | | | | Unit | |
|--|---|---|-----------------|-------|-------|-------|--------|--------|--------------------|-------|-------|--------|--------|------|----|
| | | - | V _{DD} | 25 °C | 55 °C | 85 °C | 105 °C | 125 °C | 25 °C | 55 °C | 85 °C | 105 °C | 125 °C | | |
| I _{DD_ALL} (Stop 1) | Supply current in Stop 1 mode, RTC disabled | - | 1.8 V | 9.85 | 29.0 | 100 | 225 | 430 | 17.0 | 49.5 | 185 | 395 | 850 | μA | |
| | | | 2.4 V | 9.85 | 29.5 | 100 | 225 | 435 | 17.0 | 49.5 | 185 | 395 | 850 | | |
| | | | 3 V | 9.90 | 29.5 | 100 | 225 | 435 | 17.5 | 50.0 | 185 | 400 | 850 | | |
| | | | 3.6 V | 10.0 | 28.0 | 105 | 230 | 410 | 17.5 | 50.5 | 190 | 405 | 860 | | |
| I _{DD_ALL} (Stop 1 with RTC) | Supply current in stop 1 mode, RTC enabled | RTC clocked by LSI | 1.8 V | 10.5 | 29.5 | 100 | 225 | 430 | 17.0 | 50.0 | 185 | 395 | 840 | μA | |
| | | | 2.4 V | 10.5 | 29.5 | 100 | 225 | 435 | 17.0 | 50.5 | 185 | 395 | 845 | | |
| | | | 3 V | 10.5 | 30.0 | 105 | 225 | 435 | 17.5 | 50.5 | 185 | 400 | 855 | | |
| | | | 3.6 V | 10.5 | 30.0 | 105 | 230 | 440 | 17.5 | 51.5 | 190 | 405 | 860 | | |
| | | RTC clocked by LSE bypassed, at 32768 Hz | 1.8 V | 10.0 | 29.5 | 100 | 225 | 435 | - | - | - | - | - | | μA |
| | | | 2.4 V | 10.0 | 29.5 | 100 | 225 | 435 | - | - | - | - | - | | |
| | | | 3 V | 10.5 | 30.0 | 105 | 225 | 440 | - | - | - | - | - | | |
| | | | 3.6 V | 11.0 | 30.5 | 105 | 230 | 440 | - | - | - | - | - | | |
| | | RTC clocked by LSE quartz ⁽²⁾ in low drive mode | 1.8 V | 10.0 | 29.0 | 99.5 | 220 | 435 | - | - | - | - | - | | μA |
| | | | 2.4 V | 10.0 | 29.0 | 99.5 | 220 | 435 | - | - | - | - | - | | |
| | | | 3 V | 10.0 | 29.0 | 100 | 220 | 440 | - | - | - | - | - | | |
| | | | 3.6 V | 10.5 | 29.5 | 100 | 225 | 440 | - | - | - | - | - | | |
| I _{DD_ALL} (wake-up from Stop 1) | Supply current during wake-up from Stop 1 | Wake-up clock MSI = 48 MHz, voltage Range 1. See ⁽³⁾ . | 3 V | 1.15 | - | - | - | - | - | - | - | - | mA | | |
| | | Wake-up clock MSI = 4 MHz, voltage Range 2. See ⁽³⁾ . | 3 V | 1.20 | - | - | - | - | - | - | - | - | | | |
| | | Wake-up clock HSI16 = 16 MHz, voltage Range 1. See ⁽³⁾ . | 3 V | 1.20 | - | - | - | - | - | - | - | - | | | |

1. Guaranteed based on test during characterization, unless otherwise specified.

2. Based on characterization done with a 32.768 kHz crystal (MC306-G-06Q-32.768, manufacturer JFVNY) with two 6.8 pF loading capacitors.

 3. Wakeup with code execution from Flash. Average value given for a typical wakeup time as specified in [Table 41: Low-power mode wakeup timings](#).

Table 36. Current consumption in Stop 0

| Symbol | Parameter | Conditions V_{DD} | TYP | | | | | MAX ⁽¹⁾ | | | | | Unit |
|---------------------------|---|------------------------|-------|-------|-------|--------|--------|--------------------|-------|-------|--------|---------------------|---------|
| | | | 25 °C | 55 °C | 85 °C | 105 °C | 125 °C | 25 °C | 55 °C | 85 °C | 105 °C | 125 °C | |
| I_{DD_ALL} (Stop 0) | Supply current in Stop 0 mode, RTC disabled | 1.8 V | 125 | 150 | 240 | 390 | 645 | 145 | 190 | 350 | 600 | 1150 | μA |
| | | 2.4 V | 125 | 150 | 240 | 390 | 645 | 150 | 195 | 355 | 605 | 1150 | |
| | | 3 V | 125 | 150 | 245 | 395 | 650 | 155 | 195 | 360 | 610 | 1150 | |
| | | 3.6 V | 125 | 155 | 245 | 400 | 655 | 155 | 200 | 365 | 615 | 1150 ⁽²⁾ | |

1. Guaranteed by characterization results, unless otherwise specified.
2. Guaranteed by test in production.

Table 37. Current consumption in Standby mode

| Symbol | Parameter | Conditions | | TYP | | | | | MAX ⁽¹⁾ | | | | | Unit | |
|---|--|--|-----------------|-------|-------|-------|--------|--------|--------------------|-------|-------|--------|--------|------|---|
| | | - | V _{DD} | 25 °C | 55 °C | 85 °C | 105 °C | 125 °C | 25 °C | 55 °C | 85 °C | 105 °C | 125 °C | | |
| I _{DD_ALL} (Standby) | Supply current in Standby mode (backup registers retained), RTC disabled | no independent watchdog | 1.8 V | 100 | 270 | 1200 | 3300 | 8650 | 205 | 650 | 3250 | 9250 | 25000 | nA | |
| | | | 2.4 V | 110 | 305 | 1400 | 3850 | 10000 | 225 | 750 | 3750 | 11000 | 29000 | | |
| | | | 3 V | 125 | 360 | 1650 | 4550 | 12000 | 290 | 950 | 4450 | 13000 | 33500 | | |
| | | | 3.6 V | 160 | 445 | 2000 | 5500 | 14500 | 355 | 1150 | 5250 | 15000 | 38500 | | |
| | | with independent watchdog | 1.8 V | 265 | 435 | 1350 | 3450 | 8700 | - | - | - | - | - | | |
| | | | 2.4 V | 335 | 540 | 1650 | 4100 | 10500 | - | - | - | - | - | | |
| | | | 3 V | 420 | 655 | 1950 | 4850 | 12500 | - | - | - | - | - | | |
| | | | 3.6 V | 580 | 895 | 2450 | 5950 | 14500 | - | - | - | - | - | | |
| I _{DD_ALL} (Standby with RTC) | Supply current in Standby mode (backup registers retained), RTC enabled | RTC clocked by LSI, no independent watchdog | 1.8 V | 345 | 505 | 1400 | 3450 | 8600 | 720 | 1150 | 3750 | 9550 | 25000 | nA | |
| | | | 2.4 V | 420 | 620 | 1650 | 4050 | 10000 | 875 | 1450 | 4400 | 11500 | 29000 | | |
| | | | 3 V | 510 | 745 | 2000 | 4750 | 12000 | 1070 | 1700 | 5100 | 13500 | 34000 | | |
| | | | 3.6 V | 635 | 915 | 2450 | 5900 | 14500 | 1320 | 2100 | 6000 | 15500 | 39000 | | |
| | | RTC clocked by LSI, with independent watchdog | 1.8 V | 375 | 540 | 1450 | 3550 | 8800 | - | - | - | - | - | | |
| | | | 2.4 V | 490 | 690 | 1800 | 4250 | 10500 | - | - | - | - | - | | |
| | | | 3 V | 620 | 860 | 2150 | 5100 | 12500 | - | - | - | - | - | | |
| | | | 3.6 V | 845 | 1150 | 2700 | 6200 | 15000 | - | - | - | - | - | | |
| | | RTC clocked by LSE bypassed at 32768Hz | 1.8 V | 395 | - | - | - | - | - | - | - | - | - | | - |
| | | | 2.4 V | 500 | - | - | - | - | - | - | - | - | - | | - |
| | | | 3 V | 625 | - | - | - | - | - | - | - | - | - | | - |
| | | | 3.6 V | 795 | - | - | - | - | - | - | - | - | - | | - |
| | | RTC clocked by LSE quartz ⁽²⁾ in low drive mode | 1.8 V | 375 | 550 | 1500 | 3550 | 8800 | - | - | - | - | - | | - |
| | | | 2.4 V | 460 | 665 | 1750 | 4250 | 10500 | - | - | - | - | - | | - |
| | | | 3 V | 565 | 810 | 2100 | 5050 | 12500 | - | - | - | - | - | | - |
| | | | 3.6 V | 720 | 1000 | 2600 | 5900 | 15000 | - | - | - | - | - | | - |



Table 37. Current consumption in Standby mode (continued)

| Symbol | Parameter | Conditions | | TYP | | | | | MAX ⁽¹⁾ | | | | | Unit |
|--|---|---|-----------------|-------|-------|-------|--------|--------|--------------------|-------|-------|--------|--------|------|
| | | - | V _{DD} | 25 °C | 55 °C | 85 °C | 105 °C | 125 °C | 25 °C | 55 °C | 85 °C | 105 °C | 125 °C | |
| I _{DD_ALL} (SRAM2) ⁽³⁾ | Supply current to be added in Standby mode when SRAM2 is retained | - | 1.8 V | 250 | 730 | 2700 | 6350 | 13850 | 575 | 1800 | 6350 | 14500 | 32000 | nA |
| | | | 2.4 V | 250 | 740 | 2700 | 6150 | 14000 | 620 | 1800 | 6450 | 14500 | 32000 | |
| | | | 3 V | 255 | 740 | 2700 | 6450 | 13500 | 645 | 1850 | 6500 | 15000 | 32500 | |
| | | | 3.6 V | 255 | 755 | 2800 | 6500 | 13500 | 790 | 1950 | 6500 | 15000 | 33000 | |
| I _{DD_ALL} (wakeup from Standby) | Supply current during wakeup from Standby mode | Wakeup clock is MSI = 4 MHz. See ⁽⁴⁾ . | 3 V | 2.00 | - | - | - | - | - | - | - | - | - | mA |

1. Guaranteed by characterization results, unless otherwise specified.
2. Based on characterization done with a 32.768 kHz crystal (MC306-G-06Q-32.768, manufacturer JFVNY) with two 6.8 pF loading capacitors.
3. The supply current in Standby with SRAM2 mode is: I_{DD_ALL}(Standby) + I_{DD_ALL}(SRAM2). The supply current in Standby with RTC with SRAM2 mode is: I_{DD_ALL}(Standby + RTC) + I_{DD_ALL}(SRAM2).
4. Wakeup with code execution from Flash. Average value given for a typical wakeup time as specified in [Table 41: Low-power mode wakeup timings](#).

Table 38. Current consumption in Shutdown mode

| Symbol | Parameter | Conditions | | TYP | | | | | MAX ⁽¹⁾ | | | | | Unit |
|--------------------------------|--|------------|-----------------|-------|-------|-------|--------|--------|--------------------|-------|-------|--------|--------|------|
| | | - | V _{DD} | 25 °C | 55 °C | 85 °C | 105 °C | 125 °C | 25 °C | 55 °C | 85 °C | 105 °C | 125 °C | |
| I _{DD_ALL} (Shutdown) | Supply current in Shutdown mode (backup registers retained) RTC disabled | - | 1.8 V | 19.0 | 120 | 720 | 2200 | 6400 | 38.0 | 350 | 2050 | 6350 | 19500 | nA |
| | | | 2.4 V | 26.0 | 145 | 855 | 2600 | 7450 | 62.0 | 400 | 2400 | 7450 | 22500 | |
| | | | 3 V | 37.0 | 185 | 1050 | 3100 | 8700 | 105 | 500 | 2850 | 8750 | 26000 | |
| | | | 3.6 V | 67.0 | 260 | 1350 | 3950 | 11000 | 160 | 650 | 3500 | 10500 | 30000 | |

Table 38. Current consumption in Shutdown mode (continued)

| Symbol | Parameter | Conditions | TYP | | | | | MAX ⁽¹⁾ | | | | | Unit | |
|---|---|--|-----------------|-------|-------|-------|--------|--------------------|-------|-------|-------|--------|------|--------|
| | | | V _{DD} | 25 °C | 55 °C | 85 °C | 105 °C | 125 °C | 25 °C | 55 °C | 85 °C | 105 °C | | 125 °C |
| I _{DD_ALL} (Shutdown with RTC) | Supply current in Shutdown mode (backup registers retained) RTC enabled | RTC clocked by LSE bypassed at 32768 Hz | 1.8 V | 165 | 275 | 950 | 2600 | 6550 | - | - | - | - | - | nA |
| | | | 2.4 V | 235 | 370 | 1150 | 3100 | 7650 | - | - | - | - | - | |
| | | | 3 V | 325 | 485 | 1450 | 3750 | 9050 | - | - | - | - | - | |
| | | | 3.6 V | 445 | 655 | 1900 | 4800 | 11500 | - | - | - | - | - | |
| | | RTC clocked by LSE quartz ⁽²⁾ in low drive mode | 1.8 V | 290 | 410 | 1050 | 2550 | 6700 | - | - | - | - | - | |
| | | | 2.4 V | 375 | 515 | 1250 | 3050 | 7800 | - | - | - | - | - | |
| | | | 3 V | 480 | 645 | 1550 | 3700 | 8800 | - | - | - | - | - | |
| | | | 3.6 V | 625 | 840 | 1950 | 4950 | 11500 | - | - | - | - | - | |
| I _{DD_ALL} (wakeup from Shutdown) | Supply current during wakeup from Shutdown mode | Wakeup clock is MSI = 4 MHz. See ⁽³⁾ . | 3 V | 1.00 | - | - | - | - | - | - | - | - | mA | |

1. Guaranteed by characterization results, unless otherwise specified.
2. Based on characterization done with a 32.768 kHz crystal (MC306-G-06Q-32.768, manufacturer JFVNY) with two 6.8 pF loading capacitors.
3. Wakeup with code execution from Flash. Average value given for a typical wakeup time as specified in [Table 41: Low-power mode wakeup timings](#).

Table 39. Current consumption in VBAT mode

| Symbol | Parameter | Conditions | TYP | | | | | MAX ⁽¹⁾ | | | | | Unit | |
|--------------------------------|------------------------------|---|------------------|-------|-------|-------|--------|--------------------|-------|-------|-------|--------|------|--------|
| | | | V _{BAT} | 25 °C | 55 °C | 85 °C | 105 °C | 125 °C | 25 °C | 55 °C | 85 °C | 105 °C | | 125 °C |
| I _{DD_VBAT} (VBAT) | Backup domain supply current | RTC disabled | 1.8 V | 3.00 | - | - | - | - | - | - | - | - | - | nA |
| | | | 2.4 V | 4.00 | - | - | - | - | - | - | - | - | - | |
| | | | 3 V | 5.00 | - | - | - | - | - | - | - | - | - | |
| | | | 3.6 V | 11.0 | - | - | - | - | - | - | - | - | - | |
| | | RTC enabled and clocked by LSE bypassed at 32768 Hz | 1.8 V | 145 | 165 | 285 | 550 | - | - | - | - | - | - | |
| | | | 2.4 V | 205 | 235 | 370 | 670 | - | - | - | - | - | - | |
| | | | 3 V | 285 | 315 | 470 | 820 | - | - | - | - | - | - | |
| | | | 3.6 V | 375 | 430 | 715 | 1350 | - | - | - | - | - | - | |

1. Guaranteed by characterization results, unless otherwise specified.

I/O system current consumption

The current consumption of the I/O system has two components: static and dynamic.

I/O static current consumption

All the I/Os used as inputs with pull-up generate current consumption when the pin is externally held low. The value of this current consumption can be simply computed by using the pull-up/pull-down resistors values given in [Table 60: I/O static characteristics](#).

For the output pins, any external pull-down or external load must also be considered to estimate the current consumption.

Additional I/O current consumption is due to I/Os configured as inputs if an intermediate voltage level is externally applied. This current consumption is caused by the input Schmitt trigger circuits used to discriminate the input value. Unless this specific configuration is required by the application, this supply current consumption can be avoided by configuring these I/Os in analog mode. This is notably the case of ADC input pins which should be configured as analog inputs.

Caution: Any floating input pin can also settle to an intermediate voltage level or switch inadvertently, as a result of external electromagnetic noise. To avoid current consumption related to floating pins, they must either be configured in analog mode, or forced internally to a definite digital value. This can be done either by using pull-up/down resistors or by configuring the pins in output mode.

I/O dynamic current consumption

In addition to the internal peripheral current consumption measured previously (see [Table 40: Peripheral current consumption](#)), the I/Os used by an application also contribute to the current consumption. When an I/O pin switches, it uses the current from the I/O supply voltage to supply the I/O pin circuitry and to charge/discharge the capacitive load (internal or external) connected to the pin:

$$I_{SW} = V_{DDIOx} \times f_{SW} \times C$$

where

I_{SW} is the current sunk by a switching I/O to charge/discharge the capacitive load

V_{DDIOx} is the I/O supply voltage

f_{SW} is the I/O switching frequency

C is the total capacitance seen by the I/O pin: $C = C_{INT} + C_{EXT} + C_S$

C_S is the PCB board capacitance including the pad pin.

The test pin is configured in push-pull output mode and is toggled by software at a fixed frequency.

On-chip peripheral current consumption

The current consumption of the on-chip peripherals is given in [Table 40](#). The MCU is placed under the following conditions:

- All I/O pins are in Analog mode
- The given value is calculated by measuring the difference of the current consumptions:
 - when the peripheral is clocked on
 - when the peripheral is clocked off
- Ambient operating temperature and supply voltage conditions summarized in [Table 19: Voltage characteristics](#)
- The power consumption of the digital part of the on-chip peripherals is given in [Table 40](#). The power consumption of the analog part of the peripherals (where applicable) is indicated in each related section of the datasheet.

Table 40. Peripheral current consumption

| Peripheral | | Range 1 | Range 2 | Low-power run and sleep | Unit |
|---------------------|-----------------------------------|---------|---------|-------------------------|--------|
| AHB | Bus Matrix ⁽¹⁾ | 3.2 | 2.9 | 3.1 | μA/MHz |
| | ADC independent clock domain | 0.4 | 0.1 | 0.2 | |
| | ADC clock domain | 2.1 | 1.9 | 1.9 | |
| | AES | 1.7 | 1.5 | 1.6 | |
| | CRC | 0.4 | 0.2 | 0.3 | |
| | DMA1 | 1.4 | 1.3 | 1.4 | |
| | DMA2 | 1.5 | 1.3 | 1.4 | |
| | FLASH | 6.2 | 5.2 | 5.8 | |
| | GPIOA ⁽²⁾ | 1.7 | 1.4 | 1.6 | |
| | GPIOB ⁽²⁾ | 1.6 | 1.3 | 1.6 | |
| | GPIOC ⁽²⁾ | 1.7 | 1.5 | 1.6 | |
| | GPIOD ⁽²⁾ | 1.8 | 1.6 | 1.7 | |
| | GPIOE ⁽²⁾ | 1.7 | 1.6 | 1.6 | |
| | GPIOH ⁽²⁾ | 0.6 | 0.6 | 0.5 | |
| | QSPI | 7.0 | 5.8 | 7.3 | |
| | RNG independent clock domain | 2.2 | N/A | N/A | |
| | RNG clock domain | 0.5 | N/A | N/A | |
| | SRAM1 | 0.8 | 0.9 | 0.7 | |
| | SRAM2 | 1.0 | 0.8 | 0.8 | |
| | TSC | 1.6 | 1.3 | 1.3 | |
| All AHB Peripherals | 25.2 | 21.7 | 23.6 | | |
| APB1 | AHB to APB1 bridge ⁽³⁾ | 0.9 | 0.7 | 0.9 | |
| | CAN1 | 4.1 | 3.2 | 3.9 | |

Table 40. Peripheral current consumption (continued)

| Peripheral | | Range 1 | Range 2 | Low-power run and sleep | Unit |
|-------------|----------------------------------|---------|---------|-------------------------|--------------------------|
| APB1 | DAC1 | 2.4 | 1.8 | 2.2 | $\mu\text{A}/\text{MHz}$ |
| | RTCA | 1.7 | 1.1 | 2.1 | |
| | CRS | 0.3 | 0.3 | 0.6 | |
| | USB FS independent clock domain | 2.9 | N/A | N/A | |
| | USB FS clock domain | 2.3 | N/A | N/A | |
| | I2C1 independent clock domain | 3.5 | 2.8 | 3.4 | |
| | I2C1 clock domain | 1.1 | 0.9 | 1.0 | |
| | I2C2 independent clock domain | 3.5 | 3.0 | 3.4 | |
| | I2C2 clock domain | 1.1 | 0.7 | 0.9 | |
| | I2C3 independent clock domain | 2.9 | 2.3 | 2.5 | |
| | I2C3 clock domain | 0.9 | 0.4 | 0.8 | |
| | LPUART1 independent clock domain | 1.9 | 1.6 | 1.8 | |
| | LPUART1 clock domain | 0.6 | 0.6 | 0.6 | |
| | LPTIM1 independent clock domain | 2.9 | 2.4 | 2.8 | |
| | LPTIM1 clock domain | 0.8 | 0.4 | 0.7 | |
| | LPTIM2 independent clock domain | 3.1 | 2.7 | 3.9 | |
| | LPTIM2 clock domain | 0.8 | 0.7 | 0.8 | |
| | OPAMP | 0.4 | 0.2 | 0.4 | |
| | PWR | 0.4 | 0.1 | 0.4 | |
| | SPI2 | 1.8 | 1.6 | 1.6 | |
| | SPI3 | 1.7 | 1.3 | 1.6 | |
| | TIM2 | 6.2 | 5.0 | 5.9 | |
| | TIM6 | 1.0 | 0.6 | 0.9 | |
| | USART2 independent clock domain | 4.1 | 3.6 | 3.8 | |
| | USART2 clock domain | 1.3 | 0.9 | 1.1 | |
| | USART3 independent clock domain | 4.3 | 3.5 | 4.2 | |
| | USART3 clock domain | 1.5 | 1.1 | 1.3 | |
| WWDG | 0.5 | 0.5 | 0.5 | | |
| All APB1 on | 51.5 | 35.5 | 48.6 | | |

Table 40. Peripheral current consumption (continued)

| Peripheral | | Range 1 | Range 2 | Low-power run and sleep | Unit |
|------------|---------------------------------|---------|---------|-------------------------|--------|
| APB2 | AHB to APB2 ⁽⁴⁾ | 1.0 | 0.9 | 0.9 | μA/MHz |
| | FW | 0.2 | 0.2 | 0.2 | |
| | SAI1 independent clock domain | 2.3 | 1.8 | 1.9 | |
| | SAI1 clock domain | 2.1 | 1.8 | 2.0 | |
| | SDMMC1 independent clock domain | 4.7 | 3.9 | 3.9 | |
| | SDMMC1 clock domain | 2.5 | 1.9 | 1.9 | |
| | SPI1 | 1.8 | 1.6 | 1.7 | |
| | SYSCFG/VREFBUF/COMP | 0.6 | 0.5 | 0.6 | |
| | TIM1 | 8.1 | 6.5 | 7.6 | |
| | TIM15 | 3.7 | 3.0 | 3.4 | |
| | TIM16 | 2.7 | 2.1 | 2.6 | |
| | USART1 independent clock domain | 4.8 | 4.2 | 4.6 | |
| | USART1 clock domain | 1.5 | 1.3 | 1.7 | |
| | All APB2 on | 24.2 | 19.9 | 22.6 | |
| ALL | | 100.9 | 77.1 | 94.8 | |

1. The BusMatrix is automatically active when at least one master is ON (CPU, DMA).
2. The GPIOx (x= A...H) dynamic current consumption is approximately divided by a factor two versus this table values when the GPIO port is locked thanks to LCKK and LCKy bits in the GPIOx_LCKR register. In order to save the full GPIOx current consumption, the GPIOx clock should be disabled in the RCC when all port I/Os are used in alternate function or analog mode (clock is only required to read or write into GPIO registers, and is not used in AF or analog modes).
3. The AHB to APB1 Bridge is automatically active when at least one peripheral is ON on the APB1.
4. The AHB to APB2 Bridge is automatically active when at least one peripheral is ON on the APB2.

6.3.6 Wakeup time from low-power modes and voltage scaling transition times

The wakeup times given in [Table 41](#) are the latency between the event and the execution of the first user instruction.

The device goes in low-power mode after the WFE (Wait For Event) instruction.

Table 41. Low-power mode wakeup timings⁽¹⁾

| Symbol | Parameter | Conditions | Typ | Max | Unit |
|------------------------|---|---|-----|-----|------------------|
| t _{WUSLEEP} | Wakeup time from Sleep mode to Run mode | - | 6 | 6 | Nb of CPU cycles |
| t _{WULPSLEEP} | Wakeup time from Low-power sleep mode to Low-power run mode | Wakeup in Flash with Flash in power-down during low-power sleep mode (SLEEP_PD=1 in FLASH_ACR) and with clock MSI = 2 MHz | 6 | 9 | |

Table 41. Low-power mode wakeup timings⁽¹⁾ (continued)

| Symbol | Parameter | Conditions | | Typ | Max | Unit |
|--|--|--|--|---------------------------|-------|------|
| t _{WUSTOP0} | Wake up time from Stop 0 mode to Run mode in Flash | Range 1 | Wakeup clock MSI = 48 MHz | 3.34 | 4.3 | μs |
| | | | Wakeup clock HSI16 = 16 MHz | 3.7 | 6.5 | |
| | | Range 2 | Wakeup clock MSI = 24 MHz | 3.8 | 7.1 | |
| | | | Wakeup clock HSI16 = 16 MHz | 3.7 | 6.5 | |
| | | | Wakeup clock MSI = 4 MHz | 9.3 | 7.1 | |
| | | Wake up time from Stop 0 mode to Run mode in SRAM1 | Range 1 | Wakeup clock MSI = 48 MHz | 1.85 | |
| | Wakeup clock HSI16 = 16 MHz | | | 2.68 | 3 | |
| | Range 2 | | Wakeup clock MSI = 24 MHz | 2.47 | 3.4 | |
| | | | Wakeup clock HSI16 = 16 MHz | 2.68 | 3 | |
| | t _{WUSTOP1} | Wake up time from Stop 1 mode to Run in Flash | Range 1 | Wakeup clock MSI = 48 MHz | 6.75 | |
| Wakeup clock HSI16 = 16 MHz | | | | 7.14 | 8 | |
| Range 2 | | | Wakeup clock MSI = 24 MHz | 7 | 7.82 | |
| | | | Wakeup clock HSI16 = 16 MHz | 7.14 | 7.9 | |
| | | | Wakeup clock MSI = 4 MHz | 10.44 | 11.9 | |
| Wake up time from Stop 1 mode to Run mode in SRAM1 | | | Range 1 | Wakeup clock MSI = 48 MHz | 5.21 | 5.9 |
| | | Wakeup clock HSI16 = 16 MHz | | 6.23 | 6.9 | |
| | | Range 2 | Wakeup clock MSI = 24 MHz | 5.73 | 6.4 | |
| | | | Wakeup clock HSI16 = 16 MHz | 6.23 | 6.9 | |
| | | | Wakeup clock MSI = 4 MHz | 10.9 | 12.3 | |
| | | Wake up time from Stop 1 mode to Low-power run mode in Flash | Regulator in low-power mode (LPR=1 in PWR_CR1) | Wakeup clock MSI = 2 MHz | 16.05 | 19.2 |
| Wake up time from Stop 1 mode to Low-power run mode in SRAM1 | | 17.06 | | | 20.3 | |

Table 41. Low-power mode wakeup timings⁽¹⁾ (continued)

| Symbol | Parameter | Conditions | | Typ | Max | Unit |
|------------------------------|--|------------|-----------------------------|--------|--------|------|
| t _{WUSTOP2} | Wake up time from Stop 2 mode to Run mode in Flash | Range 1 | Wakeup clock MSI = 48 MHz | 7.93 | 9.1 | µs |
| | | | Wakeup clock HSI16 = 16 MHz | 7.32 | 8.5 | |
| | | Range 2 | Wakeup clock MSI = 24 MHz | 8.25 | 9.4 | |
| | | | Wakeup clock HSI16 = 16 MHz | 7.32 | 8.4 | |
| | Wake up time from Stop 2 mode to Run mode in SRAM1 | Range 1 | Wakeup clock MSI = 48 MHz | 5.23 | 6 | |
| | | | Wakeup clock HSI16 = 16 MHz | 6.33 | 7.1 | |
| | | Range 2 | Wakeup clock MSI = 24 MHz | 5.78 | 6.5 | |
| | | | Wakeup clock HSI16 = 16 MHz | 6.33 | 7.1 | |
| t _{WUSTBY} | Wakeup time from Standby mode to Run mode | Range 1 | Wakeup clock MSI = 8 MHz | 16.13 | 18.2 | µs |
| | | | Wakeup clock MSI = 4 MHz | 24.06 | 26.6 | |
| t _{WUSTBY} SRAM2 | Wakeup time from Standby with SRAM2 to Run mode | Range 1 | Wakeup clock MSI = 8 MHz | 16.09 | 18.2 | µs |
| | | | Wakeup clock MSI = 4 MHz | 24 | 26.6 | |
| t _{WUSHDN} | Wakeup time from Shutdown mode to Run mode | Range 1 | Wakeup clock MSI = 4 MHz | 255.38 | 316.41 | µs |

1. Guaranteed by characterization results.

Table 42. Regulator modes transition times⁽¹⁾

| Symbol | Parameter | Conditions | Typ | Max | Unit |
|----------------------|--|--------------------------|-----|-----|------|
| t _{WULPRUN} | Wakeup time from Low-power run mode to Run mode ⁽²⁾ | Code run with MSI 2 MHz | 5 | 7 | µs |
| t _{VOST} | Regulator transition time from Range 2 to Range 1 or Range 1 to Range 2 ⁽³⁾ | Code run with MSI 24 MHz | 20 | 40 | |

1. Guaranteed by characterization results.

2. Time until REGLPF flag is cleared in PWR_SR2.

3. Time until VOSF flag is cleared in PWR_SR2.

Table 43. Wakeup time using USART/LPUART⁽¹⁾

| Symbol | Parameter | Conditions | Typ | Max | Unit |
|---|--|-----------------------------|-----|-----|------|
| t _{WUUSART} t _{WULPUART} | Wakeup time needed to calculate the maximum USART/LPUART baudrate allowing to wakeup up from stop mode when USART/LPUART clock source is HSI16 | Stop 0 mode | - | 1.7 | µs |
| | | Stop 1 mode and Stop 2 mode | - | 8.5 | |

1. Guaranteed by design.

6.3.7 External clock source characteristics

High-speed external user clock generated from an external source

In bypass mode the HSE oscillator is switched off and the input pin is a standard GPIO.

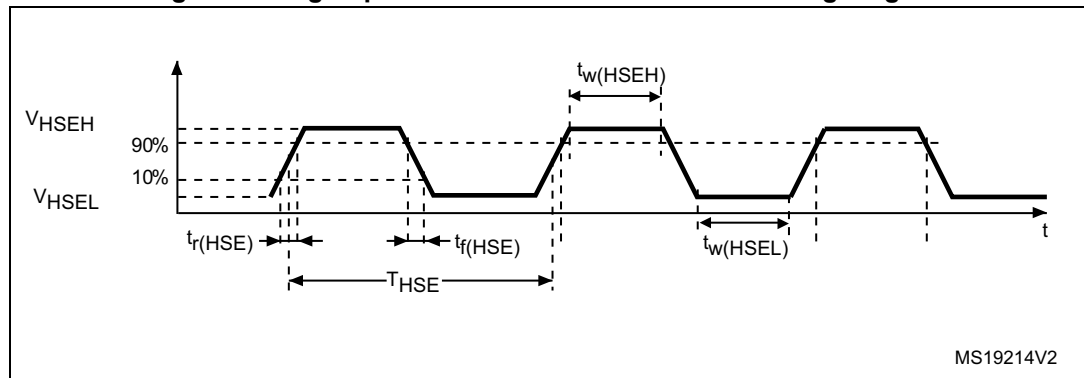
The external clock signal has to respect the I/O characteristics in [Section 6.3.14](#). However, the recommended clock input waveform is shown in [Figure 18: High-speed external clock source AC timing diagram](#).

Table 44. High-speed external user clock characteristics⁽¹⁾

| Symbol | Parameter | Conditions | Min | Typ | Max | Unit |
|--------------------------------|--------------------------------------|-------------------------|-----------------|-----|-----------------|------|
| f_{HSE_ext} | User external clock source frequency | Voltage scaling Range 1 | - | 8 | 48 | MHz |
| | | Voltage scaling Range 2 | - | 8 | 26 | |
| V_{HSEH} | OSC_IN input pin high level voltage | - | $0.7 V_{DDIOx}$ | - | V_{DDIOx} | V |
| V_{HSEL} | OSC_IN input pin low level voltage | - | V_{SS} | - | $0.3 V_{DDIOx}$ | |
| $t_{w(HSEH)}$ $t_{w(HSEL)}$ | OSC_IN high or low time | Voltage scaling Range 1 | 7 | - | - | ns |
| | | Voltage scaling Range 2 | 18 | - | - | |

1. Guaranteed by design.

Figure 18. High-speed external clock source AC timing diagram



Low-speed external user clock generated from an external source

In bypass mode the LSE oscillator is switched off and the input pin is a standard GPIO.

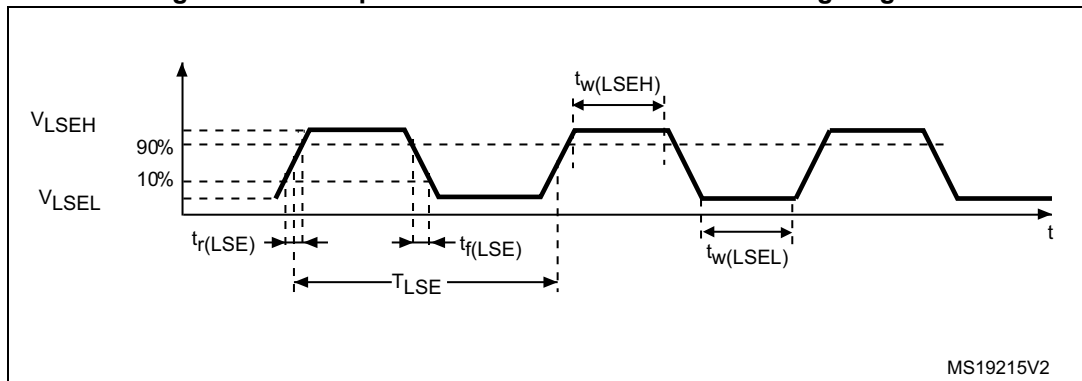
The external clock signal has to respect the I/O characteristics in [Section 6.3.14](#). However, the recommended clock input waveform is shown in [Figure 19](#).

Table 45. Low-speed external user clock characteristics⁽¹⁾

| Symbol | Parameter | Conditions | Min | Typ | Max | Unit |
|--------------------------------|---------------------------------------|------------|-----------------|--------|-----------------|------|
| f_{LSE_ext} | User external clock source frequency | - | - | 32.768 | 1000 | kHz |
| V_{LSEH} | OSC32_IN input pin high level voltage | - | $0.7 V_{DDIOx}$ | - | V_{DDIOx} | V |
| V_{LSEL} | OSC32_IN input pin low level voltage | - | V_{SS} | - | $0.3 V_{DDIOx}$ | |
| $t_{w(LSEH)}$ $t_{w(LSEL)}$ | OSC32_IN high or low time | - | 250 | - | - | ns |

1. Guaranteed by design.

Figure 19. Low-speed external clock source AC timing diagram



High-speed external clock generated from a crystal/ceramic resonator

The high-speed external (HSE) clock can be supplied with a 4 to 48 MHz crystal/ceramic resonator oscillator. All the information given in this paragraph are based on design simulation results obtained with typical external components specified in [Table 46](#). In the application, the resonator and the load capacitors have to be placed as close as possible to the oscillator pins in order to minimize output distortion and startup stabilization time. Refer to the crystal resonator manufacturer for more details on the resonator characteristics (frequency, package, accuracy).

Table 46. HSE oscillator characteristics⁽¹⁾

| Symbol | Parameter | Conditions ⁽²⁾ | Min | Typ | Max | Unit |
|---------------------|---|--|-----|------|-----|------------|
| f_{OSC_IN} | Oscillator frequency | - | 4 | 8 | 48 | MHz |
| R_F | Feedback resistor | - | - | 200 | - | k Ω |
| $I_{DD(HSE)}$ | HSE current consumption | During startup ⁽³⁾ | - | - | 5.5 | mA |
| | | $V_{DD} = 3\text{ V}$, $R_m = 30\ \Omega$, $CL = 10\text{ pF}@8\text{ MHz}$ | - | 0.44 | - | |
| | | $V_{DD} = 3\text{ V}$, $R_m = 45\ \Omega$, $CL = 10\text{ pF}@8\text{ MHz}$ | - | 0.45 | - | |
| | | $V_{DD} = 3\text{ V}$, $R_m = 30\ \Omega$, $CL = 5\text{ pF}@48\text{ MHz}$ | - | 0.68 | - | |
| | | $V_{DD} = 3\text{ V}$, $R_m = 30\ \Omega$, $CL = 10\text{ pF}@48\text{ MHz}$ | - | 0.94 | - | |
| | | $V_{DD} = 3\text{ V}$, $R_m = 30\ \Omega$, $CL = 20\text{ pF}@48\text{ MHz}$ | - | 1.77 | - | |
| G_m | Maximum critical crystal transconductance | Startup | - | - | 1.5 | mA/V |
| $t_{SU(HSE)}^{(4)}$ | Startup time | V_{DD} is stabilized | - | 2 | - | ms |

1. Guaranteed by design.
2. Resonator characteristics given by the crystal/ceramic resonator manufacturer.
3. This consumption level occurs during the first 2/3 of the $t_{SU(HSE)}$ startup time
4. $t_{SU(HSE)}$ is the startup time measured from the moment it is enabled (by software) to a stabilized 8 MHz oscillation is reached. This value is measured for a standard crystal resonator and it can vary significantly with the crystal manufacturer

For C_{L1} and C_{L2} , it is recommended to use high-quality external ceramic capacitors in the 5 pF to 20 pF range (typ.), designed for high-frequency applications, and selected to match the requirements of the crystal or resonator (see [Figure 20](#)). C_{L1} and C_{L2} are usually the same size. The crystal manufacturer typically specifies a load capacitance which is the series combination of C_{L1} and C_{L2} . PCB and MCU pin capacitance must be included (10 pF can be used as a rough estimate of the combined pin and board capacitance) when sizing C_{L1} and C_{L2} .

Note: For information on selecting the crystal, refer to the application note AN2867 "Oscillator design guide for ST microcontrollers" available from the ST website www.st.com.

Figure 20. Typical application with an 8 MHz crystal



1. R_{EXT} value depends on the crystal characteristics.

Low-speed external clock generated from a crystal resonator

The low-speed external (LSE) clock can be supplied with a 32.768 kHz crystal resonator oscillator. All the information given in this paragraph are based on design simulation results obtained with typical external components specified in Table 47. In the application, the resonator and the load capacitors have to be placed as close as possible to the oscillator pins in order to minimize output distortion and startup stabilization time. Refer to the crystal resonator manufacturer for more details on the resonator characteristics (frequency, package, accuracy).

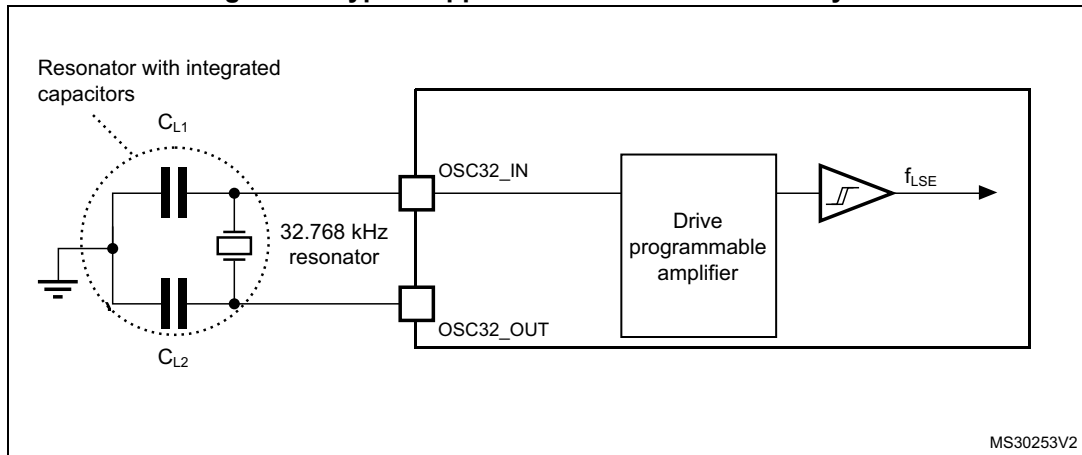
Table 47. LSE oscillator characteristics ($f_{LSE} = 32.768 \text{ kHz}$)⁽¹⁾

| Symbol | Parameter | Conditions ⁽²⁾ | Min | Typ | Max | Unit |
|------------------------------|-----------------------------|--|-----|-----|------|-----------|
| $I_{DD(LSE)}$ | LSE current consumption | LSEDRV[1:0] = 00 Low drive capability | - | 250 | - | nA |
| | | LSEDRV[1:0] = 01 Medium low drive capability | - | 315 | - | |
| | | LSEDRV[1:0] = 10 Medium high drive capability | - | 500 | - | |
| | | LSEDRV[1:0] = 11 High drive capability | - | 630 | - | |
| $G_{m_{critmax}}$ | Maximum critical crystal gm | LSEDRV[1:0] = 00 Low drive capability | - | - | 0.5 | $\mu A/V$ |
| | | LSEDRV[1:0] = 01 Medium low drive capability | - | - | 0.75 | |
| | | LSEDRV[1:0] = 10 Medium high drive capability | - | - | 1.7 | |
| | | LSEDRV[1:0] = 11 High drive capability | - | - | 2.7 | |
| $t_{SU(LSE)}$ ⁽³⁾ | Startup time | V_{DD} is stabilized | - | 2 | - | s |

1. Guaranteed by design.
2. Refer to the note and caution paragraphs below the table, and to the application note AN2867 "Oscillator design guide for ST microcontrollers".
3. $t_{SU(LSE)}$ is the startup time measured from the moment it is enabled (by software) to a stabilized 32.768 kHz oscillation is reached. This value is measured for a standard crystal and it can vary significantly with the crystal manufacturer

Note: For information on selecting the crystal, refer to the application note AN2867 "Oscillator design guide for ST microcontrollers" available from the ST website www.st.com.

Figure 21. Typical application with a 32.768 kHz crystal



Note: An external resistor is not required between $OSC32_IN$ and $OSC32_OUT$ and it is forbidden to add one.

6.3.8 Internal clock source characteristics

The parameters given in [Table 48](#) are derived from tests performed under ambient temperature and supply voltage conditions summarized in [Table 22: General operating conditions](#). The provided curves are characterization results, not tested in production.

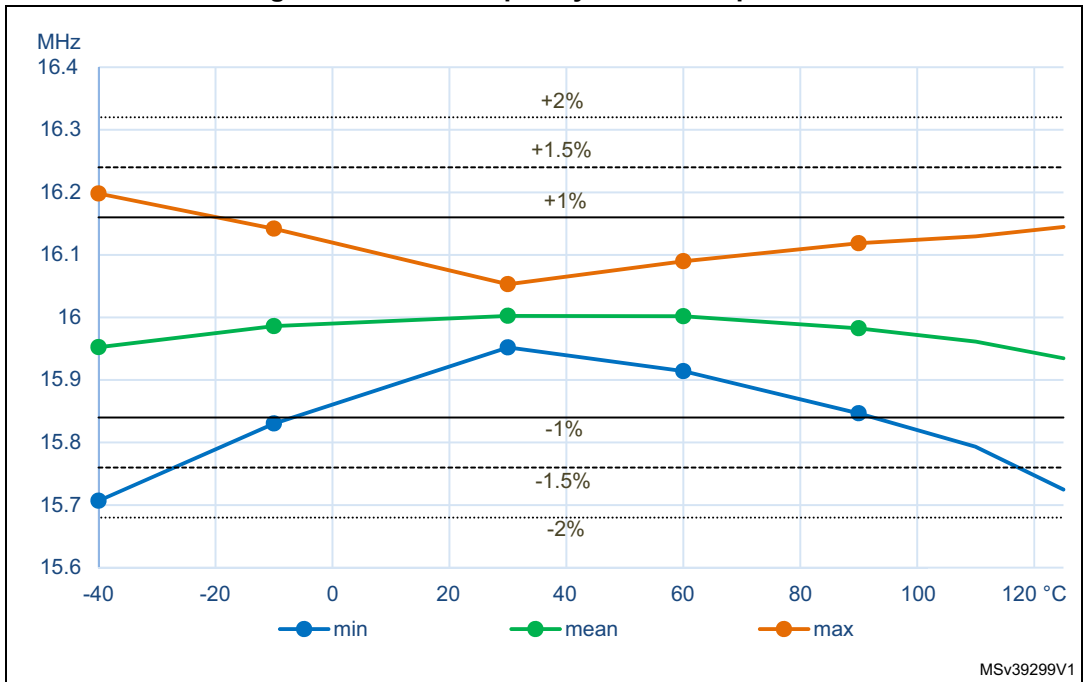
High-speed internal (HSI16) RC oscillator

Table 48. HSI16 oscillator characteristics⁽¹⁾

| Symbol | Parameter | Conditions | Min | Typ | Max | Unit |
|---------------------------------------|---|--|-------|-----|-------|---------------|
| f_{HSI16} | HSI16 Frequency | $V_{\text{DD}}=3.0\text{ V}$, $T_{\text{A}}=30\text{ °C}$ | 15.88 | - | 16.08 | MHz |
| TRIM | HSI16 user trimming step | Trimming code is not a multiple of 64 | 0.2 | 0.3 | 0.4 | % |
| | | Trimming code is a multiple of 64 | -4 | -6 | -8 | |
| $\text{DuCy}(\text{HSI16})^{(2)}$ | Duty Cycle | - | 45 | - | 55 | % |
| $\Delta_{\text{Temp}}(\text{HSI16})$ | HSI16 oscillator frequency drift over temperature | $T_{\text{A}}=0\text{ to }85\text{ °C}$ | -1 | - | 1 | % |
| | | $T_{\text{A}}=-40\text{ to }125\text{ °C}$ | -2 | - | 1.5 | % |
| $\Delta_{\text{VDD}}(\text{HSI16})$ | HSI16 oscillator frequency drift over V_{DD} | $V_{\text{DD}}=1.62\text{ V to }3.6\text{ V}$ | -0.1 | - | 0.05 | % |
| $t_{\text{su}}(\text{HSI16})^{(2)}$ | HSI16 oscillator start-up time | - | - | 0.8 | 1.2 | μs |
| $t_{\text{stab}}(\text{HSI16})^{(2)}$ | HSI16 oscillator stabilization time | - | - | 3 | 5 | μs |
| $I_{\text{DD}}(\text{HSI16})^{(2)}$ | HSI16 oscillator power consumption | - | - | 155 | 190 | μA |

1. Guaranteed by characterization results.
2. Guaranteed by design.

Figure 22. HSI16 frequency versus temperature



Multi-speed internal (MSI) RC oscillator

Table 49. MSI oscillator characteristics⁽¹⁾

| Symbol | Parameter | Conditions | Min | Typ | Max | Unit | |
|--|---|-----------------------------|--------------------------------|-------|---------|-------|-----|
| f _{MSI} | MSI frequency after factory calibration, done at V _{DD} =3 V and T _A =30 °C | MSI mode | Range 0 | 98.7 | 100 | 101.3 | kHz |
| | | | Range 1 | 197.4 | 200 | 202.6 | |
| | | | Range 2 | 394.8 | 400 | 405.2 | |
| | | | Range 3 | 789.6 | 800 | 810.4 | |
| | | | Range 4 | 0.987 | 1 | 1.013 | MHz |
| | | | Range 5 | 1.974 | 2 | 2.026 | |
| | | | Range 6 | 3.948 | 4 | 4.052 | |
| | | | Range 7 | 7.896 | 8 | 8.104 | |
| | | | Range 8 | 15.79 | 16 | 16.21 | |
| | | | Range 9 | 23.69 | 24 | 24.31 | |
| | | | Range 10 | 31.58 | 32 | 32.42 | |
| | | Range 11 | 47.38 | 48 | 48.62 | | |
| | | PLL mode XTAL=32.768 kHz | Range 0 | - | 98.304 | - | kHz |
| | | | Range 1 | - | 196.608 | - | |
| | | | Range 2 | - | 393.216 | - | |
| | | | Range 3 | - | 786.432 | - | |
| | | | Range 4 | - | 1.016 | - | MHz |
| | | | Range 5 | - | 1.999 | - | |
| | | | Range 6 | - | 3.998 | - | |
| | | | Range 7 | - | 7.995 | - | |
| | | | Range 8 | - | 15.991 | - | |
| | | | Range 9 | - | 23.986 | - | |
| Range 10 | - | | 32.014 | - | | | |
| Range 11 | - | 48.005 | - | | | | |
| Δ _{TEMP} (MSI) ⁽²⁾ | MSI oscillator frequency drift over temperature | MSI mode | T _A = -0 to 85 °C | -3.5 | - | 3 | % |
| | | | T _A = -40 to 125 °C | -8 | - | 6 | |

Table 49. MSI oscillator characteristics⁽¹⁾ (continued)

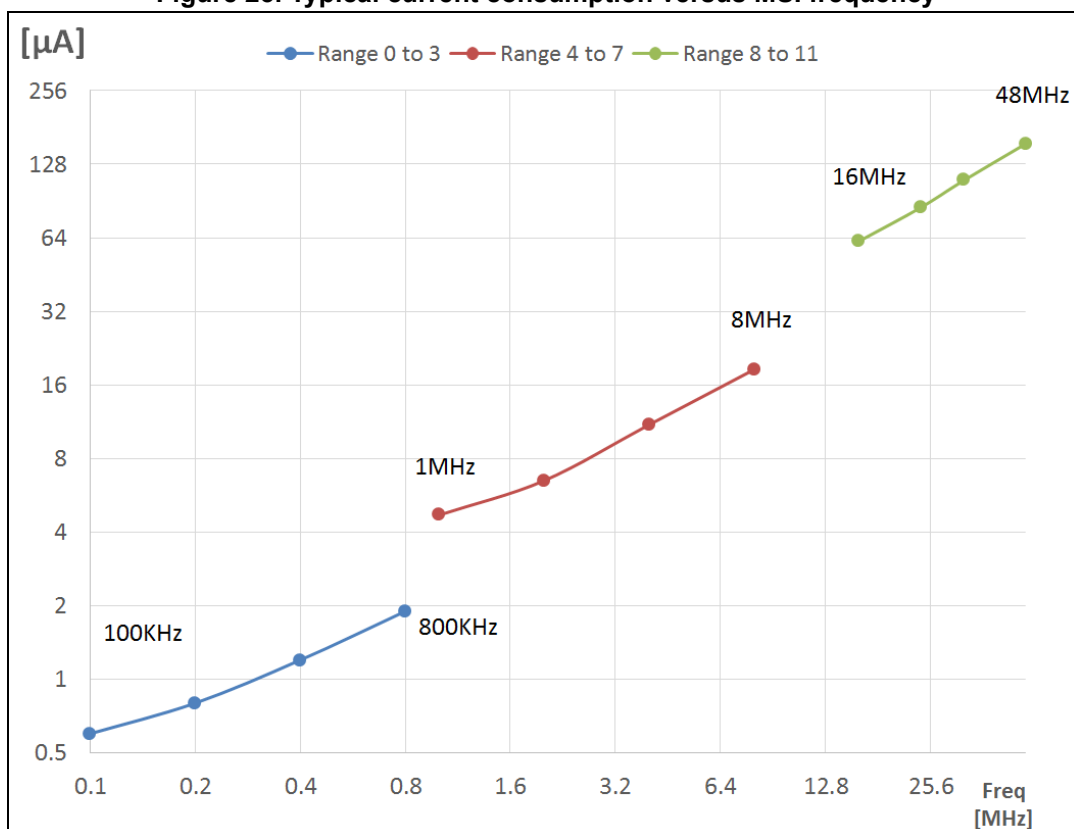
| Symbol | Parameter | Conditions | | Min | Typ | Max | Unit | |
|-------------------------------------|---|-------------------|-------------------------|--------------------------|------|------|-------|----|
| $\Delta V_{DD}(MSI)^{(2)}$ | MSI oscillator frequency drift over V_{DD} (reference is 3 V) | MSI mode | Range 0 to 3 | $V_{DD}=1.62$ V to 3.6 V | -1.2 | - | 0.5 | % |
| | | | | $V_{DD}=2.4$ V to 3.6 V | -0.5 | - | | |
| | | | Range 4 to 7 | $V_{DD}=1.62$ V to 3.6 V | -2.5 | - | 0.7 | |
| | | | | $V_{DD}=2.4$ V to 3.6 V | -0.8 | - | | |
| | | | Range 8 to 11 | $V_{DD}=1.62$ V to 3.6 V | -5 | - | 1 | |
| | | | | $V_{DD}=2.4$ V to 3.6 V | -1.6 | - | | |
| $\Delta F_{SAMPLING}(MSI)^{(2)(6)}$ | Frequency variation in sampling mode ⁽³⁾ | MSI mode | $T_A = -40$ to 85 °C | | - | 1 | 2 | % |
| | | | $T_A = -40$ to 125 °C | | - | 2 | 4 | |
| P_USB Jitter(MSI) ⁽⁶⁾ | Period jitter for USB clock ⁽⁴⁾ | PLL mode Range 11 | for next transition | - | - | - | 3.458 | ns |
| | | | for paired transition | - | - | - | 3.916 | |
| MT_USB Jitter(MSI) ⁽⁶⁾ | Medium term jitter for USB clock ⁽⁵⁾ | PLL mode Range 11 | for next transition | - | - | - | 2 | ns |
| | | | for paired transition | - | - | - | 1 | |
| CC jitter(MSI) ⁽⁶⁾ | RMS cycle-to-cycle jitter | PLL mode Range 11 | - | - | 60 | - | ps | |
| P jitter(MSI) ⁽⁶⁾ | RMS Period jitter | PLL mode Range 11 | - | - | 50 | - | ps | |
| $t_{SU}(MSI)^{(6)}$ | MSI oscillator start-up time | Range 0 | - | - | 10 | 20 | us | |
| | | Range 1 | - | - | 5 | 10 | | |
| | | Range 2 | - | - | 4 | 8 | | |
| | | Range 3 | - | - | 3 | 7 | | |
| | | Range 4 to 7 | - | - | 3 | 6 | | |
| | | Range 8 to 11 | - | - | 2.5 | 6 | | |
| $t_{STAB}(MSI)^{(6)}$ | MSI oscillator stabilization time | PLL mode Range 11 | 10 % of final frequency | - | - | 0.25 | 0.5 | ms |
| | | | 5 % of final frequency | - | - | 0.5 | 1.25 | |
| | | | 1 % of final frequency | - | - | - | 2.5 | |

Table 49. MSI oscillator characteristics⁽¹⁾ (continued)

| Symbol | Parameter | Conditions | | Min | Typ | Max | Unit | |
|--------------------------------------|----------------------------------|------------------|----------|-----|-----|------|------|----|
| I _{DD} (MSI) ⁽⁶⁾ | MSI oscillator power consumption | MSI and PLL mode | Range 0 | - | - | 0.6 | 1 | μA |
| | | | Range 1 | - | - | 0.8 | 1.2 | |
| | | | Range 2 | - | - | 1.2 | 1.7 | |
| | | | Range 3 | - | - | 1.9 | 2.5 | |
| | | | Range 4 | - | - | 4.7 | 6 | |
| | | | Range 5 | - | - | 6.5 | 9 | |
| | | | Range 6 | - | - | 11 | 15 | |
| | | | Range 7 | - | - | 18.5 | 25 | |
| | | | Range 8 | - | - | 62 | 80 | |
| | | | Range 9 | - | - | 85 | 110 | |
| | | | Range 10 | - | - | 110 | 130 | |
| | | | Range 11 | - | - | 155 | 190 | |

1. Guaranteed by characterization results.
2. This is a deviation for an individual part once the initial frequency has been measured.
3. Sampling mode means Low-power run/Low-power sleep modes with Temperature sensor disable.
4. Average period of MSI @48 MHz is compared to a real 48 MHz clock over 28 cycles. It includes frequency tolerance + jitter of MSI @48 MHz clock.
5. Only accumulated jitter of MSI @48 MHz is extracted over 28 cycles.
For next transition: min. and max. jitter of 2 consecutive frame of 28 cycles of the MSI @48 MHz, for 1000 captures over 28 cycles.
For paired transitions: min. and max. jitter of 2 consecutive frame of 56 cycles of the MSI @48 MHz, for 1000 captures over 56 cycles.
6. Guaranteed by design.

Figure 23. Typical current consumption versus MSI frequency



High-speed internal 48 MHz (HSI48) RC oscillator

Table 50. HSI48 oscillator characteristics⁽¹⁾

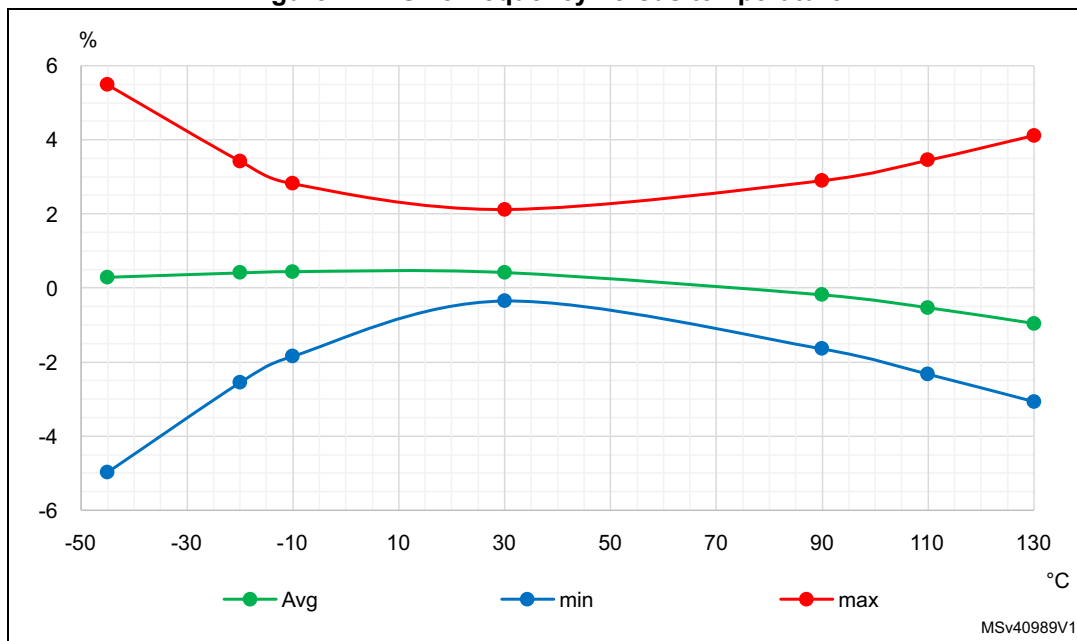
| Symbol | Parameter | Conditions | Min | Typ | Max | Unit |
|--------------------------|--|---|-------------------|----------------------|---------------------|------|
| f _{HSI48} | HSI48 Frequency | V _{DD} =3.0V, T _A =30°C | - | 48 | - | MHz |
| TRIM | HSI48 user trimming step | - | - | 0.11 ⁽²⁾ | 0.18 ⁽²⁾ | % |
| USER TRIM COVERAGE | HSI48 user trimming coverage | ±32 steps | ±3 ⁽³⁾ | ±3.5 ⁽³⁾ | - | % |
| DuCy(HSI48) | Duty Cycle | - | 45 ⁽²⁾ | - | 55 ⁽²⁾ | % |
| ACC _{HSI48_REL} | Accuracy of the HSI48 oscillator over temperature (factory calibrated) | V _{DD} = 3.0 V to 3.6 V, T _A = -15 to 85 °C | - | - | ±3 ⁽³⁾ | % |
| | | V _{DD} = 1.65 V to 3.6 V, T _A = -40 to 125 °C | - | - | ±4.5 ⁽³⁾ | |
| D _{VDD} (HSI48) | HSI48 oscillator frequency drift with V _{DD} | V _{DD} = 3 V to 3.6 V | - | 0.025 ⁽³⁾ | 0.05 ⁽³⁾ | % |
| | | V _{DD} = 1.65 V to 3.6 V | - | 0.05 ⁽³⁾ | 0.1 ⁽³⁾ | |
| t _{su} (HSI48) | HSI48 oscillator start-up time | - | - | 2.5 ⁽²⁾ | 6 ⁽²⁾ | µs |
| I _{DD} (HSI48) | HSI48 oscillator power consumption | - | - | 340 ⁽²⁾ | 380 ⁽²⁾ | µA |

Table 50. HSI48 oscillator characteristics⁽¹⁾ (continued)

| Symbol | Parameter | Conditions | Min | Typ | Max | Unit |
|-----------------------|--|------------|-----|------------------------|-----|------|
| N _T jitter | Next transition jitter Accumulated jitter on 28 cycles ⁽⁴⁾ | - | - | +/-0.15 ⁽²⁾ | - | ns |
| P _T jitter | Paired transition jitter Accumulated jitter on 56 cycles ⁽⁴⁾ | - | - | +/-0.25 ⁽²⁾ | - | ns |

1. V_{DD} = 3 V, T_A = -40 to 125°C unless otherwise specified.
2. Guaranteed by design.
3. Guaranteed by characterization results.
4. Jitter measurement are performed without clock source activated in parallel.

Figure 24. HSI48 frequency versus temperature



Low-speed internal (LSI) RC oscillator

Table 51. LSI oscillator characteristics⁽¹⁾

| Symbol | Parameter | Conditions | Min | Typ | Max | Unit |
|--|-----------------------------------|---|-------|-----|-------|------|
| f _{LSI} | LSI Frequency | V _{DD} = 3.0 V, T _A = 30 °C | 31.04 | - | 32.96 | kHz |
| | | V _{DD} = 1.62 to 3.6 V, T _A = -40 to 125 °C | 29.5 | - | 34 | |
| t _{SU} (LSI) ⁽²⁾ | LSI oscillator start-up time | - | - | 80 | 130 | µs |
| t _{STAB} (LSI) ⁽²⁾ | LSI oscillator stabilization time | 5% of final frequency | - | 125 | 180 | µs |
| I _{DD} (LSI) ⁽²⁾ | LSI oscillator power consumption | - | - | 110 | 180 | nA |

1. Guaranteed by characterization results.
2. Guaranteed by design.

6.3.9 PLL characteristics

The parameters given in [Table 52](#) are derived from tests performed under temperature and V_{DD} supply voltage conditions summarized in [Table 22: General operating conditions](#).

Table 52. PLL, PLLSAI1 characteristics⁽¹⁾

| Symbol | Parameter | Conditions | Min | Typ | Max | Unit |
|-------------------|--|-------------------------|--------|-----|-----|----------|
| f_{PLL_IN} | PLL input clock ⁽²⁾ | - | 4 | - | 16 | MHz |
| | PLL input clock duty cycle | - | 45 | - | 55 | % |
| $f_{PLL_P_OUT}$ | PLL multiplier output clock P | Voltage scaling Range 1 | 3.0968 | - | 80 | MHz |
| | | Voltage scaling Range 2 | 3.0968 | - | 26 | |
| $f_{PLL_Q_OUT}$ | PLL multiplier output clock Q | Voltage scaling Range 1 | 12 | - | 80 | MHz |
| | | Voltage scaling Range 2 | 12 | - | 26 | |
| $f_{PLL_R_OUT}$ | PLL multiplier output clock R | Voltage scaling Range 1 | 12 | - | 80 | MHz |
| | | Voltage scaling Range 2 | 12 | - | 26 | |
| f_{VCO_OUT} | PLL VCO output | Voltage scaling Range 1 | 96 | - | 344 | MHz |
| | | Voltage scaling Range 2 | 96 | - | 128 | |
| t_{LOCK} | PLL lock time | - | - | 15 | 40 | μ s |
| Jitter | RMS cycle-to-cycle jitter | System clock 80 MHz | - | 40 | - | \pm ps |
| | RMS period jitter | | - | 30 | - | |
| $I_{DD(PLL)}$ | PLL power consumption on V_{DD} ⁽¹⁾ | VCO freq = 96 MHz | - | 200 | 260 | μ A |
| | | VCO freq = 192 MHz | - | 300 | 380 | |
| | | VCO freq = 344 MHz | - | 520 | 650 | |

1. Guaranteed by design.

2. Take care of using the appropriate division factor M to obtain the specified PLL input clock values. The M factor is shared between the 2 PLLs.

6.3.10 Flash memory characteristics

Table 53. Flash memory characteristics⁽¹⁾

| Symbol | Parameter | Conditions | Typ | Max | Unit |
|------------------|---|--------------------|---------------------|-------|---------|
| t_{prog} | 64-bit programming time | - | 81.69 | 90.76 | μs |
| t_{prog_row} | one row (32 double word) programming time | normal programming | 2.61 | 2.90 | ms |
| | | fast programming | 1.91 | 2.12 | |
| t_{prog_page} | one page (2 Kbyte) programming time | normal programming | 20.91 | 23.24 | ms |
| | | fast programming | 15.29 | 16.98 | |
| t_{ERASE} | Page (2 KB) erase time | - | 22.02 | 24.47 | ms |
| t_{prog_bank} | one bank (512 Kbyte) programming time | normal programming | 5.35 | 5.95 | s |
| | | fast programming | 3.91 | 4.35 | |
| t_{ME} | Mass erase time (one or two banks) | - | 22.13 | 24.59 | ms |
| I_{DD} | Average consumption from V_{DD} | Write mode | 3.4 | - | mA |
| | | Erase mode | 3.4 | - | |
| | Maximum current (peak) | Write mode | 7 (for 2 μs) | - | |
| | | Erase mode | 7 (for 41 μs) | - | |

1. Guaranteed by design.

Table 54. Flash memory endurance and data retention

| Symbol | Parameter | Conditions | Min ⁽¹⁾ | Unit |
|-----------|----------------|---|--------------------|---------|
| N_{END} | Endurance | $T_A = -40$ to $+105$ °C | 10 | kcycles |
| t_{RET} | Data retention | 1 kcycle ⁽²⁾ at $T_A = 85$ °C | 30 | Years |
| | | 1 kcycle ⁽²⁾ at $T_A = 105$ °C | 15 | |
| | | 1 kcycle ⁽²⁾ at $T_A = 125$ °C | 7 | |
| | | 10 kcycles ⁽²⁾ at $T_A = 55$ °C | 30 | |
| | | 10 kcycles ⁽²⁾ at $T_A = 85$ °C | 15 | |
| | | 10 kcycles ⁽²⁾ at $T_A = 105$ °C | 10 | |

1. Guaranteed by characterization results.

2. Cycling performed over the whole temperature range.

6.3.11 EMC characteristics

Susceptibility tests are performed on a sample basis during device characterization.

Functional EMS (electromagnetic susceptibility)

While a simple application is executed on the device (toggling 2 LEDs through I/O ports), the device is stressed by two electromagnetic events until a failure occurs. The failure is indicated by the LEDs:

- **Electrostatic discharge (ESD)** (positive and negative) is applied to all device pins until a functional disturbance occurs. This test is compliant with the IEC 61000-4-2 standard.
- **FTB**: A Burst of Fast Transient voltage (positive and negative) is applied to V_{DD} and V_{SS} through a 100 pF capacitor, until a functional disturbance occurs. This test is compliant with the IEC 61000-4-4 standard.

A device reset allows normal operations to be resumed.

The test results are given in [Table 55](#). They are based on the EMS levels and classes defined in application note AN1709.

Table 55. EMS characteristics

| Symbol | Parameter | Conditions | Level/Class |
|------------|---|--|-------------|
| V_{FESD} | Voltage limits to be applied on any I/O pin to induce a functional disturbance | $V_{DD} = 3.3\text{ V}$, $T_A = +25\text{ °C}$, $f_{HCLK} = 80\text{ MHz}$, conforming to IEC 61000-4-2 | 3B |
| V_{EFTB} | Fast transient voltage burst limits to be applied through 100 pF on V_{DD} and V_{SS} pins to induce a functional disturbance | $V_{DD} = 3.3\text{ V}$, $T_A = +25\text{ °C}$, $f_{HCLK} = 80\text{ MHz}$, conforming to IEC 61000-4-4 | 5A |

Designing hardened software to avoid noise problems

EMC characterization and optimization are performed at component level with a typical application environment and simplified MCU software. It should be noted that good EMC performance is highly dependent on the user application and the software in particular.

Therefore it is recommended that the user applies EMC software optimization and prequalification tests in relation with the EMC level requested for his application.

Software recommendations

The software flowchart must include the management of runaway conditions such as:

- Corrupted program counter
- Unexpected reset
- Critical Data corruption (control registers...)

Prequalification trials

Most of the common failures (unexpected reset and program counter corruption) can be reproduced by manually forcing a low state on the NRST pin or the Oscillator pins for 1 second.

To complete these trials, ESD stress can be applied directly on the device, over the range of specification values. When unexpected behavior is detected, the software can be hardened to prevent unrecoverable errors occurring (see application note AN1015).

Electromagnetic Interference (EMI)

The electromagnetic field emitted by the device are monitored while a simple application is executed (toggling 2 LEDs through the I/O ports). This emission test is compliant with IEC 61967-2 standard which specifies the test board and the pin loading.

Table 56. EMI characteristics

| Symbol | Parameter | Conditions | Monitored frequency band | Max vs. [f _{HSE} /f _{HCLK}] | Unit |
|------------------|------------|---|--------------------------|--|------|
| | | | | 8 MHz/ 80 MHz | |
| S _{EMI} | Peak level | V _{DD} = 3.6 V, T _A = 25 °C, LQFP100 package compliant with IEC 61967-2 | 0.1 MHz to 30 MHz | -8 | dBμV |
| | | | 30 MHz to 130 MHz | 2 | |
| | | | 130 MHz to 1 GHz | 5 | |
| | | | 1 GHz to 2 GHz | 8 | |
| | | | EMI Level | 2.5 | - |

6.3.12 Electrical sensitivity characteristics

Based on three different tests (ESD, LU) using specific measurement methods, the device is stressed in order to determine its performance in terms of electrical sensitivity.

Electrostatic discharge (ESD)

Electrostatic discharges (a positive then a negative pulse separated by 1 second) are applied to the pins of each sample according to each pin combination. The sample size depends on the number of supply pins in the device (3 parts × (n+1) supply pins). This test conforms to the ANSI/JEDEC standard.

Table 57. ESD absolute maximum ratings

| Symbol | Ratings | Conditions | Class | Maximum value ⁽¹⁾ | Unit |
|-----------------------|---|---|-------|------------------------------|------|
| V _{ESD(HBM)} | Electrostatic discharge voltage (human body model) | T _A = +25 °C, conforming to ANSI/ESDA/JEDEC JS-001 | 2 | 2000 | V |
| V _{ESD(CDM)} | Electrostatic discharge voltage (charge device model) | T _A = +25 °C, conforming to ANSI/ESD STM5.3.1 | C3 | 250 | |

1. Guaranteed by characterization results.

Static latch-up

Two complementary static tests are required on six parts to assess the latch-up performance:

- A supply overvoltage is applied to each power supply pin.
- A current injection is applied to each input, output and configurable I/O pin.

These tests are compliant with EIA/JESD 78A IC latch-up standard.

Table 58. Electrical sensitivities

| Symbol | Parameter | Conditions | Class |
|--------|-----------------------|--|-------|
| LU | Static latch-up class | $T_A = +105\text{ }^\circ\text{C}$ conforming to JESD78A | II |

6.3.13 I/O current injection characteristics

As a general rule, current injection to the I/O pins, due to external voltage below V_{SS} or above V_{DDIOx} (for standard, 3.3 V-capable I/O pins) should be avoided during normal product operation. However, in order to give an indication of the robustness of the microcontroller in cases when abnormal injection accidentally happens, susceptibility tests are performed on a sample basis during device characterization.

Functional susceptibility to I/O current injection

While a simple application is executed on the device, the device is stressed by injecting current into the I/O pins programmed in floating input mode. While current is injected into the I/O pin, one at a time, the device is checked for functional failures.

The failure is indicated by an out of range parameter: ADC error above a certain limit (higher than 5 LSB TUE), out of conventional limits of induced leakage current on adjacent pins (out of the $-5\text{ }\mu\text{A}/+0\text{ }\mu\text{A}$ range) or other functional failure (for example reset occurrence or oscillator frequency deviation).

The characterization results are given in [Table 59](#).

Negative induced leakage current is caused by negative injection and positive induced leakage current is caused by positive injection.

Table 59. I/O current injection susceptibility⁽¹⁾

| Symbol | Description | Functional susceptibility | | Unit |
|-----------|--|---------------------------|--------------------|------|
| | | Negative injection | Positive injection | |
| I_{INJ} | Injected current on all pins except PA4, PA5, PE8, PE9, PE10, PE11, PE12 | -5 | N/A ⁽²⁾ | mA |
| | Injected current on PE8, PE9, PE10, PE11, PE12 | -0 | N/A ⁽²⁾ | |
| | Injected current on PA4, PA5 pins | -5 | 0 | |

1. Guaranteed by characterization results.

2. Injection is not possible.

6.3.14 I/O port characteristics

General input/output characteristics

Unless otherwise specified, the parameters given in [Table 60](#) are derived from tests performed under the conditions summarized in [Table 22: General operating conditions](#). All I/Os are designed as CMOS- and TTL-compliant.

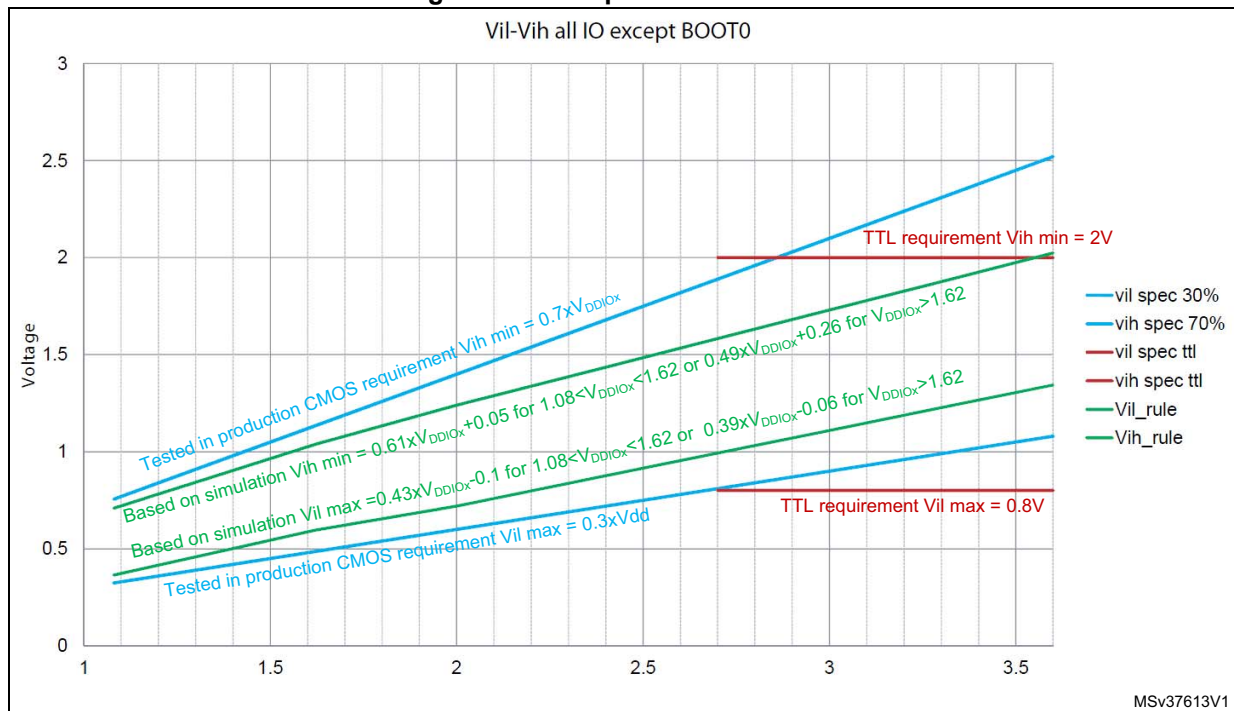
Table 60. I/O static characteristics

| Symbol | Parameter | Conditions | Min | Typ | Max | Unit |
|-----------------|---|--|--------------------------------------|-----|--------------------------------------|------------|
| $V_{IL}^{(1)}$ | I/O input low level voltage | $1.62\text{ V} < V_{DDIOx} < 3.6\text{ V}$ | - | - | $0.3 \times V_{DDIOx}^{(2)}$ | V |
| | I/O input low level voltage | $1.62\text{ V} < V_{DDIOx} < 3.6\text{ V}$ | - | - | $0.39 \times V_{DDIOx} - 0.06^{(3)}$ | |
| | I/O input low level voltage | $1.08\text{ V} < V_{DDIOx} < 1.62\text{ V}$ | - | - | $0.43 \times V_{DDIOx} - 0.1^{(3)}$ | |
| $V_{IH}^{(1)}$ | I/O input high level voltage | $1.62\text{ V} < V_{DDIOx} < 3.6\text{ V}$ | $0.7 \times V_{DDIOx}^{(2)}$ | - | - | V |
| | I/O input high level voltage | $1.62\text{ V} < V_{DDIOx} < 3.6\text{ V}$ | $0.49 \times V_{DDIOx} + 0.26^{(3)}$ | - | - | |
| | I/O input high level voltage | $1.08\text{ V} < V_{DDIOx} < 1.62\text{ V}$ | $0.61 \times V_{DDIOx} + 0.05^{(3)}$ | - | - | |
| $V_{hys}^{(3)}$ | TT_xx, FT_XXX and NRST I/O input hysteresis | $1.62\text{ V} < V_{DDIOx} < 3.6\text{ V}$ | - | 200 | - | mV |
| I_{lkg} | FT_xx input leakage current ⁽³⁾⁽⁴⁾ | $V_{IN} \leq \text{Max}(V_{DDXXX})^{(5)(6)}$ | - | - | ± 100 | nA |
| | | $\text{Max}(V_{DDXXX}) \leq V_{IN} \leq \text{Max}(V_{DDXXX}) + 1\text{ V}^{(5)(6)}$ | - | - | $650^{(3)(7)}$ | |
| | | $\text{Max}(V_{DDXXX}) + 1\text{ V} < V_{IN} \leq 5.5\text{ V}^{(3)(6)}$ | - | - | $200^{(7)}$ | |
| | FT_u and PC3 I/O | $V_{IN} \leq \text{Max}(V_{DDXXX})^{(5)(6)}$ | - | - | ± 150 | |
| | | $\text{Max}(V_{DDXXX}) \leq V_{IN} \leq \text{Max}(V_{DDXXX}) + 1\text{ V}^{(5)(6)}$ | - | - | $2500^{(3)}$ | |
| | | $\text{Max}(V_{DDXXX}) + 1\text{ V} < V_{IN} \leq 5.5\text{ V}^{(5)(6)}$ | - | - | 250 | |
| | TT_xx input leakage current | $V_{IN} \leq \text{Max}(V_{DDXXX})^{(7)}$ | - | - | ± 150 | |
| | | $\text{Max}(V_{DDXXX}) \leq V_{IN} < 3.6\text{ V}^{(7)}$ | - | - | $2000^{(3)}$ | |
| R_{PU} | Weak pull-up equivalent resistor ⁽⁸⁾ | $V_{IN} = V_{SS}$ | 25 | 40 | 55 | k Ω |
| R_{PD} | Weak pull-down equivalent resistor ⁽⁸⁾ | $V_{IN} = V_{DDIOx}$ | 25 | 40 | 55 | k Ω |
| C_{IO} | I/O pin capacitance | - | - | 5 | - | pF |

1. Refer to [Figure 25: I/O input characteristics](#).
2. Tested in production.
3. Guaranteed by design.
4. All FT_xx IO except FT_u and PC3 I/O.
5. Max(V_{DDXX}) is the maximum value of all the I/O supplies.
6. To sustain a voltage higher than Min(V_{DD}, V_{DDA}, V_{DDUSB}) + 0.3 V, the internal Pull-up and Pull-Down resistors must be disabled.
7. This value represents the pad leakage of the IO itself. The total product pad leakage is provided by this formula:
 $I_{Total_leak_max} = 10 \mu A + [\text{number of IOs where } V_{IN} \text{ is applied on the pad}] \times I_{Kg}(\text{Max})$.
8. Pull-up and pull-down resistors are designed with a true resistance in series with a switchable PMOS/NMOS. This PMOS/NMOS contribution to the series resistance is minimal (~10% order).

All I/Os are CMOS- and TTL-compliant (no software configuration required). Their characteristics cover more than the strict CMOS-technology or TTL parameters. The coverage of these requirements is shown in [Figure 25](#) for standard I/Os, and in [Figure 25](#) for 5 V tolerant I/Os.

Figure 25. I/O input characteristics



Output driving current

The GPIOs (general purpose input/outputs) can sink or source up to ±8 mA, and sink or source up to ± 20 mA (with a relaxed V_{OL}/V_{OH}).

In the user application, the number of I/O pins which can drive current must be limited to respect the absolute maximum rating specified in [Section 6.2](#):

- The sum of the currents sourced by all the I/Os on V_{DDIOx} , plus the maximum consumption of the MCU sourced on V_{DD} , cannot exceed the absolute maximum rating ΣI_{VDD} (see [Table 19: Voltage characteristics](#)).
- The sum of the currents sunk by all the I/Os on V_{SS} , plus the maximum consumption of the MCU sunk on V_{SS} , cannot exceed the absolute maximum rating ΣI_{VSS} (see [Table 19: Voltage characteristics](#)).

Output voltage levels

Unless otherwise specified, the parameters given in the table below are derived from tests performed under the ambient temperature and supply voltage conditions summarized in [Table 22: General operating conditions](#). All I/Os are CMOS- and TTL-compliant (FT OR TT unless otherwise specified).

Table 61. Output voltage characteristics⁽¹⁾

| Symbol | Parameter | Conditions | Min | Max | Unit |
|-------------------|---|---|-------------------------|-------------------------|------|
| V_{OL} | Output low level voltage for an I/O pin | CMOS port ⁽²⁾ $ I_{IO} = 8 \text{ mA}$ $V_{DDIOx} \geq 2.7 \text{ V}$ | - | 0.4 | V |
| V_{OH} | Output high level voltage for an I/O pin | | $V_{DDIOx}-0.4$ | - | |
| $V_{OL}^{(3)}$ | Output low level voltage for an I/O pin | TTL port ⁽²⁾ $ I_{IO} = 8 \text{ mA}$ $V_{DDIOx} \geq 2.7 \text{ V}$ | - | 0.4 | |
| $V_{OH}^{(3)}$ | Output high level voltage for an I/O pin | | 2.4 | - | |
| $V_{OL}^{(3)}$ | Output low level voltage for an I/O pin | $ I_{IO} = 20 \text{ mA}$ $V_{DDIOx} \geq 2.7 \text{ V}$ | - | 1.3 | |
| $V_{OH}^{(3)}$ | Output high level voltage for an I/O pin | | $V_{DDIOx}-1.3$ | - | |
| $V_{OL}^{(3)}$ | Output low level voltage for an I/O pin | $ I_{IO} = 4 \text{ mA}$ $V_{DDIOx} \geq 1.62 \text{ V}$ | - | 0.45 | |
| $V_{OH}^{(3)}$ | Output high level voltage for an I/O pin | | $V_{DDIOx}-0.45$ | - | |
| $V_{OL}^{(3)}$ | Output low level voltage for an I/O pin | $ I_{IO} = 2 \text{ mA}$ $1.62 \text{ V} \geq V_{DDIOx} \geq 1.08 \text{ V}$ | - | $0.35 \times V_{DDIOx}$ | |
| $V_{OH}^{(3)}$ | Output high level voltage for an I/O pin | | $0.65 \times V_{DDIOx}$ | - | |
| $V_{OLFM+}^{(3)}$ | Output low level voltage for an FT I/O pin in FM+ mode (FT I/O with "f" option) | $ I_{IO} = 20 \text{ mA}$ $V_{DDIOx} \geq 2.7 \text{ V}$ | - | 0.4 | |
| | | $ I_{IO} = 10 \text{ mA}$ $V_{DDIOx} \geq 1.62 \text{ V}$ | - | 0.4 | |
| | | $ I_{IO} = 2 \text{ mA}$ $1.62 \text{ V} \geq V_{DDIOx} \geq 1.08 \text{ V}$ | - | 0.4 | |

1. The I_{IO} current sourced or sunk by the device must always respect the absolute maximum rating specified in [Table 19: Voltage characteristics](#), and the sum of the currents sourced or sunk by all the I/Os (I/O ports and control pins) must always respect the absolute maximum ratings ΣI_{IO} .
2. TTL and CMOS outputs are compatible with JEDEC standards JESD36 and JESD52.
3. Guaranteed by design.

Input/output AC characteristics

The definition and values of input/output AC characteristics are given in [Figure 26](#) and [Table 62](#), respectively.



Unless otherwise specified, the parameters given are derived from tests performed under the ambient temperature and supply voltage conditions summarized in [Table 22: General operating conditions](#).

Table 62. I/O AC characteristics⁽¹⁾⁽²⁾

| Speed | Symbol | Parameter | Conditions | Min | Max | Unit |
|-------|--------|---------------------------|---|-----|-----|------|
| 00 | Fmax | Maximum frequency | C=50 pF, 2.7 V ≤ V _{DDIOx} ≤ 3.6 V | - | 5 | MHz |
| | | | C=50 pF, 1.62 V ≤ V _{DDIOx} ≤ 2.7 V | - | 1 | |
| | | | C=50 pF, 1.08 V ≤ V _{DDIOx} ≤ 1.62 V | - | 0.1 | |
| | | | C=10 pF, 2.7 V ≤ V _{DDIOx} ≤ 3.6 V | - | 10 | |
| | | | C=10 pF, 1.62 V ≤ V _{DDIOx} ≤ 2.7 V | - | 1.5 | |
| | | | C=10 pF, 1.08 V ≤ V _{DDIOx} ≤ 1.62 V | - | 0.1 | |
| | Tr/Tf | Output rise and fall time | C=50 pF, 2.7 V ≤ V _{DDIOx} ≤ 3.6 V | - | 25 | ns |
| | | | C=50 pF, 1.62 V ≤ V _{DDIOx} ≤ 2.7 V | - | 52 | |
| | | | C=50 pF, 1.08 V ≤ V _{DDIOx} ≤ 1.62 V | - | 140 | |
| | | | C=10 pF, 2.7 V ≤ V _{DDIOx} ≤ 3.6 V | - | 17 | |
| | | | C=10 pF, 1.62 V ≤ V _{DDIOx} ≤ 2.7 V | - | 37 | |
| | | | C=10 pF, 1.08 V ≤ V _{DDIOx} ≤ 1.62 V | - | 110 | |
| 01 | Fmax | Maximum frequency | C=50 pF, 2.7 V ≤ V _{DDIOx} ≤ 3.6 V | - | 25 | MHz |
| | | | C=50 pF, 1.62 V ≤ V _{DDIOx} ≤ 2.7 V | - | 10 | |
| | | | C=50 pF, 1.08 V ≤ V _{DDIOx} ≤ 1.62 V | - | 1 | |
| | | | C=10 pF, 2.7 V ≤ V _{DDIOx} ≤ 3.6 V | - | 50 | |
| | | | C=10 pF, 1.62 V ≤ V _{DDIOx} ≤ 2.7 V | - | 15 | |
| | | | C=10 pF, 1.08 V ≤ V _{DDIOx} ≤ 1.62 V | - | 1 | |
| | Tr/Tf | Output rise and fall time | C=50 pF, 2.7 V ≤ V _{DDIOx} ≤ 3.6 V | - | 9 | ns |
| | | | C=50 pF, 1.62 V ≤ V _{DDIOx} ≤ 2.7 V | - | 16 | |
| | | | C=50 pF, 1.08 V ≤ V _{DDIOx} ≤ 1.62 V | - | 40 | |
| | | | C=10 pF, 2.7 V ≤ V _{DDIOx} ≤ 3.6 V | - | 4.5 | |
| | | | C=10 pF, 1.62 V ≤ V _{DDIOx} ≤ 2.7 V | - | 9 | |
| | | | C=10 pF, 1.08 V ≤ V _{DDIOx} ≤ 1.62 V | - | 21 | |

Table 62. I/O AC characteristics⁽¹⁾⁽²⁾ (continued)

| Speed | Symbol | Parameter | Conditions | Min | Max | Unit |
|-------|--------|---------------------------------|---|-----|--------------------|------|
| 10 | Fmax | Maximum frequency | C=50 pF, 2.7 V ≤ V _{DDIOx} ≤ 3.6 V | - | 50 | MHz |
| | | | C=50 pF, 1.62 V ≤ V _{DDIOx} ≤ 2.7 V | - | 25 | |
| | | | C=50 pF, 1.08 V ≤ V _{DDIOx} ≤ 1.62 V | - | 5 | |
| | | | C=10 pF, 2.7 V ≤ V _{DDIOx} ≤ 3.6 V | - | 100 ⁽³⁾ | |
| | | | C=10 pF, 1.62 V ≤ V _{DDIOx} ≤ 2.7 V | - | 37.5 | |
| | | | C=10 pF, 1.08 V ≤ V _{DDIOx} ≤ 1.62 V | - | 5 | |
| | Tr/Tf | Output rise and fall time | C=50 pF, 2.7 V ≤ V _{DDIOx} ≤ 3.6 V | - | 5.8 | ns |
| | | | C=50 pF, 1.62 V ≤ V _{DDIOx} ≤ 2.7 V | - | 11 | |
| | | | C=50 pF, 1.08 V ≤ V _{DDIOx} ≤ 1.62 V | - | 28 | |
| | | | C=10 pF, 2.7 V ≤ V _{DDIOx} ≤ 3.6 V | - | 2.5 | |
| | | | C=10 pF, 1.62 V ≤ V _{DDIOx} ≤ 2.7 V | - | 5 | |
| | | | C=10 pF, 1.08 V ≤ V _{DDIOx} ≤ 1.62 V | - | 12 | |
| 11 | Fmax | Maximum frequency | C=30 pF, 2.7 V ≤ V _{DDIOx} ≤ 3.6 V | - | 120 ⁽³⁾ | MHz |
| | | | C=30 pF, 1.62 V ≤ V _{DDIOx} ≤ 2.7 V | - | 50 | |
| | | | C=30 pF, 1.08 V ≤ V _{DDIOx} ≤ 1.62 V | - | 10 | |
| | | | C=10 pF, 2.7 V ≤ V _{DDIOx} ≤ 3.6 V | - | 180 ⁽³⁾ | |
| | | | C=10 pF, 1.62 V ≤ V _{DDIOx} ≤ 2.7 V | - | 75 | |
| | | | C=10 pF, 1.08 V ≤ V _{DDIOx} ≤ 1.62 V | - | 10 | |
| | Tr/Tf | Output rise and fall time | C=30 pF, 2.7 V ≤ V _{DDIOx} ≤ 3.6 V | - | 3.3 | ns |
| | | | C=30 pF, 1.62 V ≤ V _{DDIOx} ≤ 2.7 V | - | 6 | |
| | | | C=30 pF, 1.08 V ≤ V _{DDIOx} ≤ 1.62 V | - | 16 | |
| Fm+ | Fmax | Maximum frequency | C=50 pF, 1.6 V ≤ V _{DDIOx} ≤ 3.6 V | - | 1 | MHz |
| | Tf | Output fall time ⁽⁴⁾ | C=50 pF, 1.6 V ≤ V _{DDIOx} ≤ 3.6 V | - | 5 | ns |

1. The I/O speed is configured using the OSPEEDRy[1:0] bits. The Fm+ mode is configured in the SYSCFG_CFGR1 register. Refer to the RM0394 reference manual for a description of GPIO Port configuration register.
2. Guaranteed by design.
3. This value represents the I/O capability but the maximum system frequency is limited to 80 MHz.
4. The fall time is defined between 70% and 30% of the output waveform accordingly to I²C specification.

Figure 26. I/O AC characteristics definition⁽¹⁾



1. Refer to [Table 62: I/O AC characteristics](#).

6.3.15 NRST pin characteristics

The NRST pin input driver uses the CMOS technology. It is connected to a permanent pull-up resistor, R_{PU} .

Unless otherwise specified, the parameters given in the table below are derived from tests performed under the ambient temperature and supply voltage conditions summarized in [Table 22: General operating conditions](#).

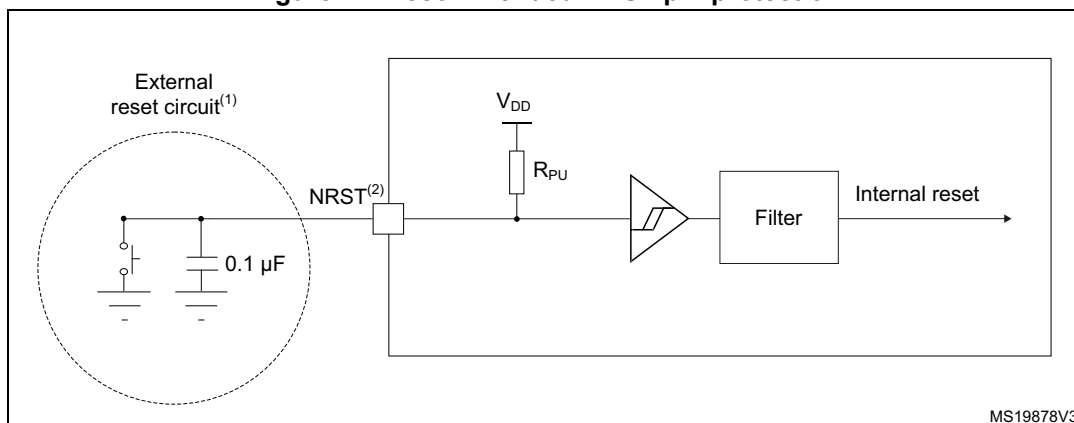
Table 63. NRST pin characteristics⁽¹⁾

| Symbol | Parameter | Conditions | Min | Typ | Max | Unit |
|-----------------|---|---|------------------------|-----|------------------------|------------|
| $V_{IL(NRST)}$ | NRST input low level voltage | - | - | - | $0.3 \times V_{DDIOx}$ | V |
| $V_{IH(NRST)}$ | NRST input high level voltage | - | $0.7 \times V_{DDIOx}$ | - | - | |
| $V_{hys(NRST)}$ | NRST Schmitt trigger voltage hysteresis | - | - | 200 | - | mV |
| R_{PU} | Weak pull-up equivalent resistor ⁽²⁾ | $V_{IN} = V_{SS}$ | 25 | 40 | 55 | k Ω |
| $V_{F(NRST)}$ | NRST input filtered pulse | - | - | - | 70 | ns |
| $V_{NF(NRST)}$ | NRST input not filtered pulse | $1.71 \text{ V} \leq V_{DD} \leq 3.6 \text{ V}$ | 350 | - | - | ns |

1. Guaranteed by design.

2. The pull-up is designed with a true resistance in series with a switchable PMOS. This PMOS contribution to the series resistance is minimal (~10% order).

Figure 27. Recommended NRST pin protection



1. The reset network protects the device against parasitic resets.
2. The user must ensure that the level on the NRST pin can go below the $V_{IL(NRST)}$ max level specified in [Table 63: NRST pin characteristics](#). Otherwise the reset will not be taken into account by the device.
3. The external capacitor on NRST must be placed as close as possible to the device.

6.3.16 Extended interrupt and event controller input (EXTI) characteristics

The pulse on the interrupt input must have a minimal length in order to guarantee that it is detected by the event controller.

Table 64. EXTI Input Characteristics⁽¹⁾

| Symbol | Parameter | Conditions | Min | Typ | Max | Unit |
|--------|----------------------------------|------------|-----|-----|-----|------|
| PLEC | Pulse length to event controller | - | 20 | - | - | ns |

1. Guaranteed by design.

6.3.17 Analog switches booster

Table 65. Analog switches booster characteristics⁽¹⁾

| Symbol | Parameter | Min | Typ | Max | Unit |
|-----------------|---|------|-----|-----|------|
| V_{DD} | Supply voltage | 1.62 | - | 3.6 | V |
| $t_{SU(BOOST)}$ | Booster startup time | - | - | 240 | µs |
| $I_{DD(BOOST)}$ | Booster consumption for $1.62\text{ V} \leq V_{DD} \leq 2.0\text{ V}$ | - | - | 250 | µA |
| | Booster consumption for $2.0\text{ V} \leq V_{DD} \leq 2.7\text{ V}$ | - | - | 500 | |
| | Booster consumption for $2.7\text{ V} \leq V_{DD} \leq 3.6\text{ V}$ | - | - | 900 | |

1. Guaranteed by design.

6.3.18 Analog-to-Digital converter characteristics

Unless otherwise specified, the parameters given in [Table 66](#) are preliminary values derived from tests performed under ambient temperature, f_{PCLK} frequency and V_{DDA} supply voltage conditions summarized in [Table 22: General operating conditions](#).

Note: It is recommended to perform a calibration after each power-up.

Table 66. ADC characteristics^{(1) (2)}

| Symbol | Parameter | Conditions | Min | Typ | Max | Unit |
|-----------------|------------------------------------|---|----------------------------------|---------------------------|----------------------------------|------------------|
| V_{DDA} | Analog supply voltage | - | 1.62 | - | 3.6 | V |
| V_{REF+} | Positive reference voltage | $V_{DDA} \geq 2\text{ V}$ | 2 | - | V_{DDA} | V |
| | | $V_{DDA} < 2\text{ V}$ | V_{DDA} | | | V |
| V_{REF-} | Negative reference voltage | - | V_{SSA} | | | V |
| f_{ADC} | ADC clock frequency | Range 1 | 0.14 | - | 80 | MHz |
| | | Range 2 | 0.14 | - | 26 | |
| f_s | Sampling rate for FAST channels | Resolution = 12 bits | - | - | 5.33 | MSPS |
| | | Resolution = 10 bits | - | - | 6.15 | |
| | | Resolution = 8 bits | - | - | 7.27 | |
| | | Resolution = 6 bits | - | - | 8.88 | |
| | Sampling rate for SLOW channels | Resolution = 12 bits | - | - | 4.21 | |
| | | Resolution = 10 bits | - | - | 4.71 | |
| | | Resolution = 8 bits | - | - | 5.33 | |
| | | Resolution = 6 bits | - | - | 6.15 | |
| f_{TRIG} | External trigger frequency | $f_{ADC} = 80\text{ MHz}$ Resolution = 12 bits | - | - | 5.33 | MHz |
| | | Resolution = 12 bits | - | - | 15 | $1/f_{ADC}$ |
| V_{CMIN} | Input common mode | Differential mode | $(V_{REF+} + V_{REF-})/2 - 0.18$ | $(V_{REF+} + V_{REF-})/2$ | $(V_{REF+} + V_{REF-})/2 + 0.18$ | V |
| $V_{AIN}^{(3)}$ | Conversion voltage range(2) | - | 0 | - | V_{REF+} | V |
| R_{AIN} | External input impedance | - | - | - | 50 | k Ω |
| C_{ADC} | Internal sample and hold capacitor | - | - | 5 | - | pF |
| t_{STAB} | Power-up time | - | 1 | | | conversion cycle |
| t_{CAL} | Calibration time | $f_{ADC} = 80\text{ MHz}$ | 1.45 | | | μs |
| | | - | 116 | | | $1/f_{ADC}$ |

Table 66. ADC characteristics^{(1) (2)} (continued)

| Symbol | Parameter | Conditions | Min | Typ | Max | Unit |
|---------------------|---|--|---|-----|---------|-------------|
| t_{LATR} | Trigger conversion latency Regular and injected channels without conversion abort | CKMODE = 00 | 1.5 | 2 | 2.5 | $1/f_{ADC}$ |
| | | CKMODE = 01 | - | - | 2.0 | |
| | | CKMODE = 10 | - | - | 2.25 | |
| | | CKMODE = 11 | - | - | 2.125 | |
| $t_{LATRINJ}$ | Trigger conversion latency Injected channels aborting a regular conversion | CKMODE = 00 | 2.5 | 3 | 3.5 | $1/f_{ADC}$ |
| | | CKMODE = 01 | - | - | 3.0 | |
| | | CKMODE = 10 | - | - | 3.25 | |
| | | CKMODE = 11 | - | - | 3.125 | |
| t_s | Sampling time | $f_{ADC} = 80$ MHz | 0.03125 | - | 8.00625 | μ s |
| | | - | 2.5 | - | 640.5 | $1/f_{ADC}$ |
| $t_{ADCVREG_STUP}$ | ADC voltage regulator start-up time | - | - | - | 20 | μ s |
| t_{CONV} | Total conversion time (including sampling time) | $f_{ADC} = 80$ MHz Resolution = 12 bits | 0.1875 | - | 8.1625 | μ s |
| | | Resolution = 12 bits | ts + 12.5 cycles for successive approximation = 15 to 653 | | | $1/f_{ADC}$ |
| $I_{DDA(ADC)}$ | ADC consumption from the V_{DDA} supply | fs = 5 Msps | - | 730 | 830 | μ A |
| | | fs = 1 Msps | - | 160 | 220 | |
| | | fs = 10 ksps | - | 16 | 50 | |
| $I_{DDV_S(ADC)}$ | ADC consumption from the V_{REF+} single ended mode | fs = 5 Msps | - | 130 | 160 | μ A |
| | | fs = 1 Msps | - | 30 | 40 | |
| | | fs = 10 ksps | - | 0.6 | 2 | |
| $I_{DDV_D(ADC)}$ | ADC consumption from the V_{REF+} differential mode | fs = 5 Msps | - | 260 | 310 | μ A |
| | | fs = 1 Msps | - | 60 | 70 | |
| | | fs = 10 ksps | - | 1.3 | 3 | |

1. Guaranteed by design
2. The I/O analog switch voltage booster is enable when $V_{DDA} < 2.4$ V (BOOSTEN = 1 in the SYSCFG_CFGR1 when $V_{DDA} < 2.4$ V). It is disable when $V_{DDA} \geq 2.4$ V.
3. V_{REF+} can be internally connected to V_{DDA} and V_{REF-} can be internally connected to V_{SSA} , depending on the package. Refer to [Section 4: Pinouts and pin description](#) for further details.

The maximum value of R_{AIN} can be found in [Table 67: Maximum ADC RAIN](#).

Table 67. Maximum ADC $R_{AIN}^{(1)(2)}$

| Resolution | Sampling cycle @80 MHz | Sampling time [ns] @80 MHz | $R_{AIN} \text{ max } (\Omega)$ | |
|------------|---------------------------|-------------------------------|---------------------------------|------------------------------|
| | | | Fast channels ⁽³⁾ | Slow channels ⁽⁴⁾ |
| 12 bits | 2.5 | 31.25 | 100 | N/A |
| | 6.5 | 81.25 | 330 | 100 |
| | 12.5 | 156.25 | 680 | 470 |
| | 24.5 | 306.25 | 1500 | 1200 |
| | 47.5 | 593.75 | 2200 | 1800 |
| | 92.5 | 1156.25 | 4700 | 3900 |
| | 247.5 | 3093.75 | 12000 | 10000 |
| 10 bits | 2.5 | 31.25 | 120 | N/A |
| | 6.5 | 81.25 | 390 | 180 |
| | 12.5 | 156.25 | 820 | 560 |
| | 24.5 | 306.25 | 1500 | 1200 |
| | 47.5 | 593.75 | 2200 | 1800 |
| | 92.5 | 1156.25 | 5600 | 4700 |
| | 247.5 | 3093.75 | 12000 | 10000 |
| 8 bits | 2.5 | 31.25 | 180 | N/A |
| | 6.5 | 81.25 | 470 | 270 |
| | 12.5 | 156.25 | 1000 | 680 |
| | 24.5 | 306.25 | 1800 | 1500 |
| | 47.5 | 593.75 | 2700 | 2200 |
| | 92.5 | 1156.25 | 6800 | 5600 |
| | 247.5 | 3093.75 | 15000 | 12000 |
| 6 bits | 2.5 | 31.25 | 220 | N/A |
| | 6.5 | 81.25 | 560 | 330 |
| | 12.5 | 156.25 | 1200 | 1000 |
| | 24.5 | 306.25 | 2700 | 2200 |
| | 47.5 | 593.75 | 3900 | 3300 |
| | 92.5 | 1156.25 | 8200 | 6800 |
| | 247.5 | 3093.75 | 18000 | 15000 |
| | 640.5 | 8006.75 | 50000 | 50000 |

1. Guaranteed by design.

2. The I/O analog switch voltage booster is enable when $V_{DDA} < 2.4$ V (BOOSTEN = 1 in the SYSCFG_CFGR1 when $V_{DDA} < 2.4$ V). It is disable when $V_{DDA} \geq 2.4$ V.
3. Fast channels are: PC0, PC1, PC2, PC3, PA0, PA1.
4. Slow channels are: all ADC inputs except the fast channels.

Table 68. ADC accuracy - limited test conditions 1⁽¹⁾(2)(3)

| Symbol | Parameter | Conditions ⁽⁴⁾ | | Min | Typ | Max | Unit |
|--------|--------------------------------------|---------------------------|--------------------------|------|------|-----|------|
| ET | Total unadjusted error | Single ended | Fast channel (max speed) | - | 4 | 5 | LSB |
| | | | Slow channel (max speed) | - | 4 | 5 | |
| | | Differential | Fast channel (max speed) | - | 3.5 | 4.5 | |
| | | | Slow channel (max speed) | - | 3.5 | 4.5 | |
| EO | Offset error | Single ended | Fast channel (max speed) | - | 1 | 2.5 | |
| | | | Slow channel (max speed) | - | 1 | 2.5 | |
| | | Differential | Fast channel (max speed) | - | 1.5 | 2.5 | |
| | | | Slow channel (max speed) | - | 1.5 | 2.5 | |
| EG | Gain error | Single ended | Fast channel (max speed) | - | 2.5 | 4.5 | |
| | | | Slow channel (max speed) | - | 2.5 | 4.5 | |
| | | Differential | Fast channel (max speed) | - | 2.5 | 3.5 | |
| | | | Slow channel (max speed) | - | 2.5 | 3.5 | |
| ED | Differential linearity error | Single ended | Fast channel (max speed) | - | 1 | 1.5 | |
| | | | Slow channel (max speed) | - | 1 | 1.5 | |
| | | Differential | Fast channel (max speed) | - | 1 | 1.2 | |
| | | | Slow channel (max speed) | - | 1 | 1.2 | |
| EL | Integral linearity error | Single ended | Fast channel (max speed) | - | 1.5 | 2.5 | |
| | | | Slow channel (max speed) | - | 1.5 | 2.5 | |
| | | Differential | Fast channel (max speed) | - | 1 | 2 | |
| | | | Slow channel (max speed) | - | 1 | 2 | |
| ENOB | Effective number of bits | Single ended | Fast channel (max speed) | 10.4 | 10.5 | - | bits |
| | | | Slow channel (max speed) | 10.4 | 10.5 | - | |
| | | Differential | Fast channel (max speed) | 10.8 | 10.9 | - | |
| | | | Slow channel (max speed) | 10.8 | 10.9 | - | |
| SINAD | Signal-to-noise and distortion ratio | Single ended | Fast channel (max speed) | 64.4 | 65 | - | dB |
| | | | Slow channel (max speed) | 64.4 | 65 | - | |
| | | Differential | Fast channel (max speed) | 66.8 | 67.4 | - | |
| | | | Slow channel (max speed) | 66.8 | 67.4 | - | |
| SNR | Signal-to-noise ratio | Single ended | Fast channel (max speed) | 65 | 66 | - | |
| | | | Slow channel (max speed) | 65 | 66 | - | |
| | | Differential | Fast channel (max speed) | 67 | 68 | - | |
| | | | Slow channel (max speed) | 67 | 68 | - | |

Table 68. ADC accuracy - limited test conditions 1⁽¹⁾2⁽³⁾ (continued)

| Sym-bol | Parameter | Conditions ⁽⁴⁾ | | Min | Typ | Max | Unit | |
|---------|---------------------------|--|--------------|--------------------------|-----|-----|------|----|
| THD | Total harmonic distortion | ADC clock frequency ≤ 80 MHz, Sampling rate ≤ 5.33 Msps, V _{DDA} = V _{REF+} = 3 V, TA = 25 °C | Single ended | Fast channel (max speed) | - | -74 | -73 | dB |
| | | | | Slow channel (max speed) | - | -74 | -73 | |
| | | | Differential | Fast channel (max speed) | - | -79 | -76 | |
| | | | | Slow channel (max speed) | - | -79 | -76 | |

1. Guaranteed by design.
2. ADC DC accuracy values are measured after internal calibration.
3. ADC accuracy vs. negative Injection Current: Injecting negative current on any analog input pins should be avoided as this significantly reduces the accuracy of the conversion being performed on another analog input. It is recommended to add a Schottky diode (pin to ground) to analog pins which may potentially inject negative current.
4. The I/O analog switch voltage booster is enable when V_{DDA} < 2.4 V (BOOSTEN = 1 in the SYSCFG_CFGR1 when V_{DDA} < 2.4 V). It is disable when V_{DDA} ≥ 2.4 V. No oversampling.

Table 69. ADC accuracy - limited test conditions 2⁽¹⁾⁽²⁾⁽³⁾

| Symbol | Parameter | Conditions ⁽⁴⁾ | | Min | Typ | Max | Unit |
|--------|--------------------------------------|---------------------------|--------------------------|------|------|-----|------|
| ET | Total unadjusted error | Single ended | Fast channel (max speed) | - | 4 | 6.5 | LSB |
| | | | Slow channel (max speed) | - | 4 | 6.5 | |
| | | Differential | Fast channel (max speed) | - | 3.5 | 5.5 | |
| | | | Slow channel (max speed) | - | 3.5 | 5.5 | |
| EO | Offset error | Single ended | Fast channel (max speed) | - | 1 | 4.5 | |
| | | | Slow channel (max speed) | - | 1 | 5 | |
| | | Differential | Fast channel (max speed) | - | 1.5 | 3 | |
| | | | Slow channel (max speed) | - | 1.5 | 3 | |
| EG | Gain error | Single ended | Fast channel (max speed) | - | 2.5 | 6 | |
| | | | Slow channel (max speed) | - | 2.5 | 6 | |
| | | Differential | Fast channel (max speed) | - | 2.5 | 3.5 | |
| | | | Slow channel (max speed) | - | 2.5 | 3.5 | |
| ED | Differential linearity error | Single ended | Fast channel (max speed) | - | 1 | 1.5 | |
| | | | Slow channel (max speed) | - | 1 | 1.5 | |
| | | Differential | Fast channel (max speed) | - | 1 | 1.2 | |
| | | | Slow channel (max speed) | - | 1 | 1.2 | |
| EL | Integral linearity error | Single ended | Fast channel (max speed) | - | 1.5 | 3.5 | |
| | | | Slow channel (max speed) | - | 1.5 | 3.5 | |
| | | Differential | Fast channel (max speed) | - | 1 | 3 | |
| | | | Slow channel (max speed) | - | 1 | 2.5 | |
| ENOB | Effective number of bits | Single ended | Fast channel (max speed) | 10 | 10.5 | - | bits |
| | | | Slow channel (max speed) | 10 | 10.5 | - | |
| | | Differential | Fast channel (max speed) | 10.7 | 10.9 | - | |
| | | | Slow channel (max speed) | 10.7 | 10.9 | - | |
| SINAD | Signal-to-noise and distortion ratio | Single ended | Fast channel (max speed) | 62 | 65 | - | dB |
| | | | Slow channel (max speed) | 62 | 65 | - | |
| | | Differential | Fast channel (max speed) | 66 | 67.4 | - | |
| | | | Slow channel (max speed) | 66 | 67.4 | - | |
| SNR | Signal-to-noise ratio | Single ended | Fast channel (max speed) | 64 | 66 | - | |
| | | | Slow channel (max speed) | 64 | 66 | - | |
| | | Differential | Fast channel (max speed) | 66.5 | 68 | - | |
| | | | Slow channel (max speed) | 66.5 | 68 | - | |

Table 69. ADC accuracy - limited test conditions 2⁽¹⁾(2)(3) (continued)

| Sym-bol | Parameter | Conditions ⁽⁴⁾ | | Min | Typ | Max | Unit | |
|---------|---------------------------|---|--------------|--------------------------|-----|-----|------|----|
| THD | Total harmonic distortion | ADC clock frequency ≤ 80 MHz, Sampling rate ≤ 5.33 Msps, 2 V ≤ V _{DDA} | Single ended | Fast channel (max speed) | - | -74 | -65 | dB |
| | | | | Slow channel (max speed) | - | -74 | -67 | |
| | | | Differential | Fast channel (max speed) | - | -79 | -70 | |
| | | | | Slow channel (max speed) | - | -79 | -71 | |

1. Guaranteed by design.
2. ADC DC accuracy values are measured after internal calibration.
3. ADC accuracy vs. negative Injection Current: Injecting negative current on any analog input pins should be avoided as this significantly reduces the accuracy of the conversion being performed on another analog input. It is recommended to add a Schottky diode (pin to ground) to analog pins which may potentially inject negative current.
4. The I/O analog switch voltage booster is enable when V_{DDA} < 2.4 V (BOOSTEN = 1 in the SYSCFG_CFGR1 when V_{DDA} < 2.4 V). It is disable when V_{DDA} ≥ 2.4 V. No oversampling.

Table 70. ADC accuracy - limited test conditions 3⁽¹⁾⁽²⁾⁽³⁾

| Symbol | Parameter | Conditions ⁽⁴⁾ | | Min | Typ | Max | Unit |
|--------|--------------------------------------|---------------------------|--------------------------|------|------|-----|------|
| ET | Total unadjusted error | Single ended | Fast channel (max speed) | - | 5.5 | 7.5 | LSB |
| | | | Slow channel (max speed) | - | 4.5 | 6.5 | |
| | | Differential | Fast channel (max speed) | - | 4.5 | 7.5 | |
| | | | Slow channel (max speed) | - | 4.5 | 5.5 | |
| EO | Offset error | Single ended | Fast channel (max speed) | - | 2 | 5 | |
| | | | Slow channel (max speed) | - | 2.5 | 5 | |
| | | Differential | Fast channel (max speed) | - | 2 | 3.5 | |
| | | | Slow channel (max speed) | - | 2.5 | 3 | |
| EG | Gain error | Single ended | Fast channel (max speed) | - | 4.5 | 7 | |
| | | | Slow channel (max speed) | - | 3.5 | 6 | |
| | | Differential | Fast channel (max speed) | - | 3.5 | 4 | |
| | | | Slow channel (max speed) | - | 3.5 | 5 | |
| ED | Differential linearity error | Single ended | Fast channel (max speed) | - | 1.2 | 1.5 | |
| | | | Slow channel (max speed) | - | 1.2 | 1.5 | |
| | | Differential | Fast channel (max speed) | - | 1 | 1.2 | |
| | | | Slow channel (max speed) | - | 1 | 1.2 | |
| EL | Integral linearity error | Single ended | Fast channel (max speed) | - | 3 | 3.5 | |
| | | | Slow channel (max speed) | - | 2.5 | 3.5 | |
| | | Differential | Fast channel (max speed) | - | 2 | 2.5 | |
| | | | Slow channel (max speed) | - | 2 | 2.5 | |
| ENOB | Effective number of bits | Single ended | Fast channel (max speed) | 10 | 10.4 | - | bits |
| | | | Slow channel (max speed) | 10 | 10.4 | - | |
| | | Differential | Fast channel (max speed) | 10.6 | 10.7 | - | |
| | | | Slow channel (max speed) | 10.6 | 10.7 | - | |
| SINAD | Signal-to-noise and distortion ratio | Single ended | Fast channel (max speed) | 62 | 64 | - | dB |
| | | | Slow channel (max speed) | 62 | 64 | - | |
| | | Differential | Fast channel (max speed) | 65 | 66 | - | |
| | | | Slow channel (max speed) | 65 | 66 | - | |
| SNR | Signal-to-noise ratio | Single ended | Fast channel (max speed) | 63 | 65 | - | |
| | | | Slow channel (max speed) | 63 | 65 | - | |
| | | Differential | Fast channel (max speed) | 66 | 67 | - | |
| | | | Slow channel (max speed) | 66 | 67 | - | |

Table 70. ADC accuracy - limited test conditions 3⁽¹⁾(2)(3) (continued)

| Sym-bol | Parameter | Conditions ⁽⁴⁾ | | Min | Typ | Max | Unit | |
|---------|---------------------------|--|--------------------------|--------------------------|-----|-----|------|----|
| THD | Total harmonic distortion | ADC clock frequency ≤ 80 MHz, Sampling rate ≤ 5.33 Msps, 1.65 V ≤ V _{DDA} = V _{REF+} ≤ 3.6 V, Voltage scaling Range 1 | Single ended | Fast channel (max speed) | - | -69 | -67 | dB |
| | | | | Slow channel (max speed) | - | -71 | -67 | |
| | | Differential | Fast channel (max speed) | - | -72 | -71 | | |
| | | | Slow channel (max speed) | - | -72 | -71 | | |

1. Guaranteed by design.
2. ADC DC accuracy values are measured after internal calibration.
3. ADC accuracy vs. negative Injection Current: Injecting negative current on any analog input pins should be avoided as this significantly reduces the accuracy of the conversion being performed on another analog input. It is recommended to add a Schottky diode (pin to ground) to analog pins which may potentially inject negative current.
4. The I/O analog switch voltage booster is enable when V_{DDA} < 2.4 V (BOOSTEN = 1 in the SYSCFG_CFGR1 when V_{DDA} < 2.4 V). It is disable when V_{DDA} ≥ 2.4 V. No oversampling.

Table 71. ADC accuracy - limited test conditions 4⁽¹⁾⁽²⁾⁽³⁾

| Symbol | Parameter | Conditions ⁽⁴⁾ | | Min | Typ | Max | Unit |
|--------|--------------------------------------|---------------------------|--------------------------|------|------|-----|------|
| ET | Total unadjusted error | Single ended | Fast channel (max speed) | - | 5 | 5.4 | LSB |
| | | | Slow channel (max speed) | - | 4 | 5 | |
| | | Differential | Fast channel (max speed) | - | 4 | 5 | |
| | | | Slow channel (max speed) | - | 3.5 | 4.5 | |
| EO | Offset error | Single ended | Fast channel (max speed) | - | 2 | 4 | |
| | | | Slow channel (max speed) | - | 2 | 4 | |
| | | Differential | Fast channel (max speed) | - | 2 | 3.5 | |
| | | | Slow channel (max speed) | - | 2 | 3.5 | |
| EG | Gain error | Single ended | Fast channel (max speed) | - | 4 | 4.5 | |
| | | | Slow channel (max speed) | - | 4 | 4.5 | |
| | | Differential | Fast channel (max speed) | - | 3 | 4 | |
| | | | Slow channel (max speed) | - | 3 | 4 | |
| ED | Differential linearity error | Single ended | Fast channel (max speed) | - | 1 | 1.5 | |
| | | | Slow channel (max speed) | - | 1 | 1.5 | |
| | | Differential | Fast channel (max speed) | - | 1 | 1.2 | |
| | | | Slow channel (max speed) | - | 1 | 1.2 | |
| EL | Integral linearity error | Single ended | Fast channel (max speed) | - | 2.5 | 3 | |
| | | | Slow channel (max speed) | - | 2.5 | 3 | |
| | | Differential | Fast channel (max speed) | - | 2 | 2.5 | |
| | | | Slow channel (max speed) | - | 2 | 2.5 | |
| ENOB | Effective number of bits | Single ended | Fast channel (max speed) | 10.2 | 10.5 | - | bits |
| | | | Slow channel (max speed) | 10.2 | 10.5 | - | |
| | | Differential | Fast channel (max speed) | 10.6 | 10.7 | - | |
| | | | Slow channel (max speed) | 10.6 | 10.7 | - | |
| SINAD | Signal-to-noise and distortion ratio | Single ended | Fast channel (max speed) | 63 | 65 | - | dB |
| | | | Slow channel (max speed) | 63 | 65 | - | |
| | | Differential | Fast channel (max speed) | 65 | 66 | - | |
| | | | Slow channel (max speed) | 65 | 66 | - | |
| SNR | Signal-to-noise ratio | Single ended | Fast channel (max speed) | 64 | 65 | - | |
| | | | Slow channel (max speed) | 64 | 65 | - | |
| | | Differential | Fast channel (max speed) | 66 | 67 | - | |
| | | | Slow channel (max speed) | 66 | 67 | - | |

Table 71. ADC accuracy - limited test conditions 4⁽¹⁾⁽²⁾⁽³⁾ (continued)

| Symbol | Parameter | Conditions ⁽⁴⁾ | | Min | Typ | Max | Unit | |
|--------|---------------------------|--|--------------|--------------------------|-----|-----|------|----|
| THD | Total harmonic distortion | ADC clock frequency ≤ 26 MHz, 1.65 V ≤ V _{DDA} = VREF+ ≤ 3.6 V, Voltage scaling Range 2 | Single ended | Fast channel (max speed) | - | -71 | -69 | dB |
| | | | | Slow channel (max speed) | - | -71 | -69 | |
| | | | Differential | Fast channel (max speed) | - | -73 | -72 | |
| | | | | Slow channel (max speed) | - | -73 | -72 | |

- Guaranteed by design.
- ADC DC accuracy values are measured after internal calibration.
- ADC accuracy vs. negative Injection Current: Injecting negative current on any analog input pins should be avoided as this significantly reduces the accuracy of the conversion being performed on another analog input. It is recommended to add a Schottky diode (pin to ground) to analog pins which may potentially inject negative current.
- The I/O analog switch voltage booster is enable when V_{DDA} < 2.4 V (BOOSTEN = 1 in the SYSCFG_CFGR1 when V_{DDA} < 2.4 V). It is disable when V_{DDA} ≥ 2.4 V. No oversampling.

Figure 28. ADC accuracy characteristics

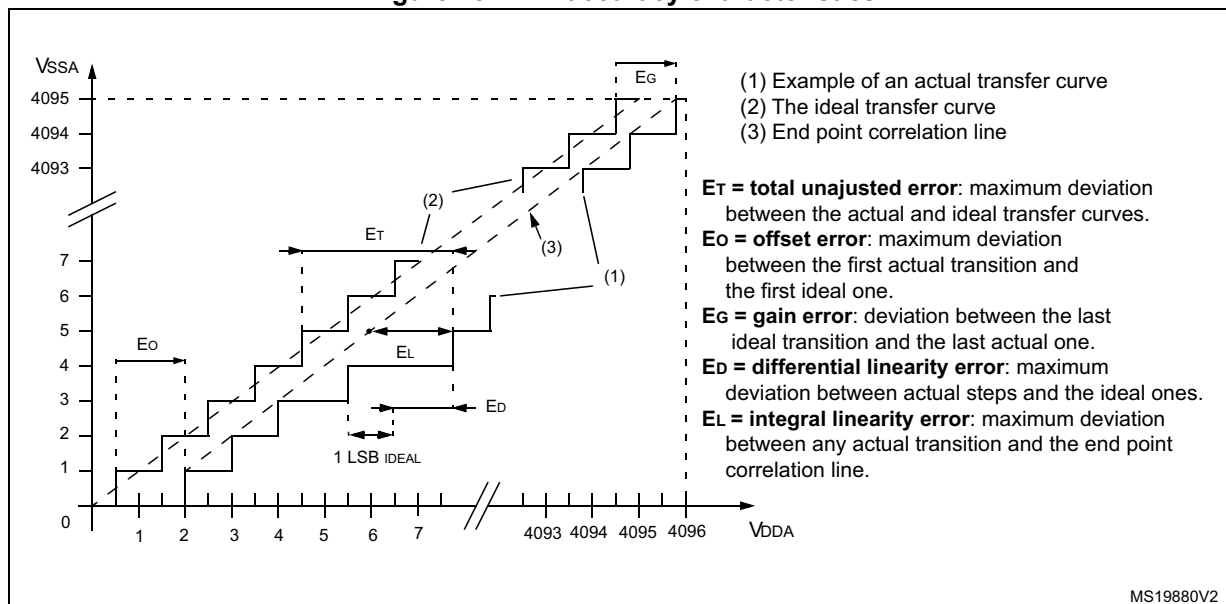
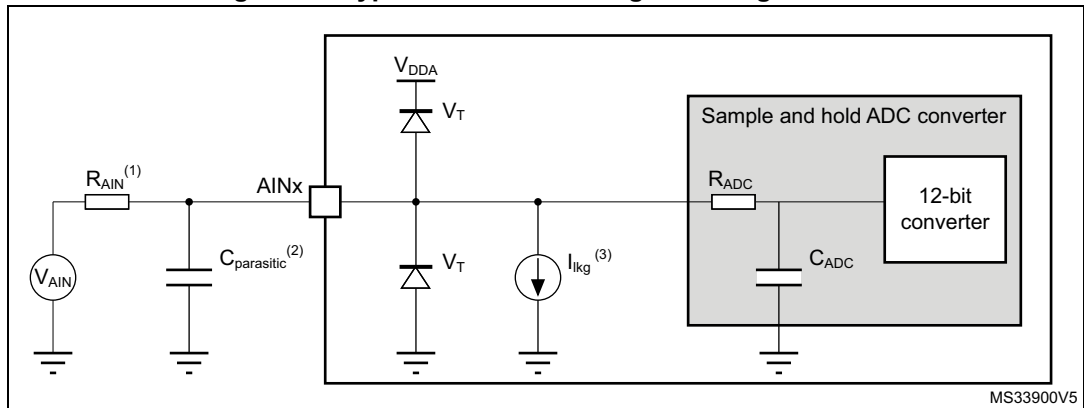


Figure 29. Typical connection diagram using the ADC



1. Refer to [Table 66: ADC characteristics](#) for the values of R_{AIN} and C_{ADC} .
2. $C_{parasitic}$ represents the capacitance of the PCB (dependent on soldering and PCB layout quality) plus the pad capacitance (refer to [Table 60: I/O static characteristics](#) for the value of the pad capacitance). A high $C_{parasitic}$ value will downgrade conversion accuracy. To remedy this, f_{ADC} should be reduced.
3. Refer to [Table 60: I/O static characteristics](#) for the values of I_{lkg} .

General PCB design guidelines

Power supply decoupling should be performed as shown in [Figure 15: Power supply scheme](#). The 10 nF capacitor should be ceramic (good quality) and it should be placed as close as possible to the chip.

6.3.19 Digital-to-Analog converter characteristics

Table 72. DAC characteristics⁽¹⁾

| Symbol | Parameter | Conditions | Min | Typ | Max | Unit | |
|--------------------|--|--|------------------------|------|------------------|---------------|---------------|
| V_{DDA} | Analog supply voltage for DAC ON | DAC output buffer OFF (no resistive load on DAC1_OUT1 pin or internal connection) | 1.71 | - | 3.6 | V | |
| | | Other modes | 1.80 | - | | | |
| V_{REF+} | Positive reference voltage | DAC output buffer OFF (no resistive load on DAC1_OUT1 pin or internal connection) | 1.71 | - | V_{DDA} | | |
| | | Other modes | 1.80 | - | | | |
| V_{REF-} | Negative reference voltage | - | V_{SSA} | | | | |
| R_L | Resistive load | DAC output buffer ON | connected to V_{SSA} | 5 | - | | - |
| | | | connected to V_{DDA} | 25 | - | - | |
| R_O | Output Impedance | DAC output buffer OFF | 9.6 | 11.7 | 13.8 | k Ω | |
| R_{BON} | Output impedance sample and hold mode, output buffer ON | $V_{DD} = 2.7\text{ V}$ | - | - | 2 | k Ω | |
| | | $V_{DD} = 2.0\text{ V}$ | - | - | 3.5 | | |
| R_{BOFF} | Output impedance sample and hold mode, output buffer OFF | $V_{DD} = 2.7\text{ V}$ | - | - | 16.5 | k Ω | |
| | | $V_{DD} = 2.0\text{ V}$ | - | - | 18.0 | | |
| C_L | Capacitive load | DAC output buffer ON | - | - | 50 | pF | |
| C_{SH} | | Sample and hold mode | - | 0.1 | 1 | μF | |
| V_{DAC_OUT} | Voltage on DAC1_OUT1 output | DAC output buffer ON | 0.2 | - | $V_{REF+} - 0.2$ | V | |
| | | DAC output buffer OFF | 0 | - | V_{REF+} | | |
| $t_{SETTLING}$ | Settling time (full scale: for a 12-bit code transition between the lowest and the highest input codes when DAC1_OUT1 reaches final value $\pm 0.5\text{ LSB}$, $\pm 1\text{ LSB}$, $\pm 2\text{ LSB}$, $\pm 4\text{ LSB}$, $\pm 8\text{ LSB}$) | Normal mode DAC output buffer ON $CL \leq 50\text{ pF}$, $RL \geq 5\text{ k}\Omega$ | $\pm 0.5\text{ LSB}$ | - | 1.7 | 3 | μs |
| | | | $\pm 1\text{ LSB}$ | - | 1.6 | 2.9 | |
| | | | $\pm 2\text{ LSB}$ | - | 1.55 | 2.85 | |
| | | | $\pm 4\text{ LSB}$ | - | 1.48 | 2.8 | |
| | | Normal mode DAC output buffer OFF, $\pm 1\text{ LSB}$, $CL = 10\text{ pF}$ | - | 2 | 2.5 | | |
| $t_{WAKEUP}^{(2)}$ | Wakeup time from off state (setting the ENx bit in the DAC Control register) until final value $\pm 1\text{ LSB}$ | Normal mode DAC output buffer ON $CL \leq 50\text{ pF}$, $RL \geq 5\text{ k}\Omega$ | - | 4.2 | 7.5 | μs | |
| | | Normal mode DAC output buffer OFF, $CL \leq 10\text{ pF}$ | - | 2 | 5 | | |
| PSRR | V_{DDA} supply rejection ratio | Normal mode DAC output buffer ON $CL \leq 50\text{ pF}$, $RL = 5\text{ k}\Omega$, DC | - | -80 | -28 | dB | |

Table 72. DAC characteristics⁽¹⁾ (continued)

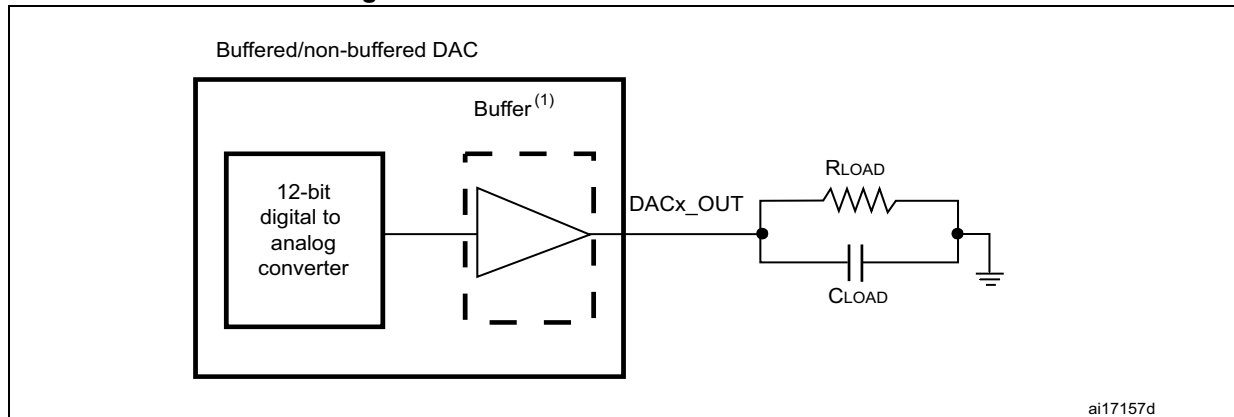
| Symbol | Parameter | Conditions | Min | Typ | Max | Unit | |
|-----------------------|---|--|------------------------------|--|--|---------------|---------------|
| $T_{W_to_W}$ | Minimal time between two consecutive writes into the DAC_DORx register to guarantee a correct DAC1_OUT1 for a small variation of the input code (1 LSB) DAC_MCR:MODEx[2:0] = 000 or 001 DAC_MCR:MODEx[2:0] = 010 or 011 | $CL \leq 50 \text{ pF}$, $RL \geq 5 \text{ k}\Omega$ $CL \leq 10 \text{ pF}$ | 1 1.4 | - | - | μs | |
| t_{SAMP} | Sampling time in sample and hold mode (code transition between the lowest input code and the highest input code when DAC1_OUT1 reaches final value $\pm 1\text{LSB}$) | DAC1_OUT1 pin connected | - | 0.7 | 3.5 | ms | |
| | | DAC output buffer ON, $C_{\text{SH}} = 100 \text{ nF}$ | - | 10.5 | 18 | | |
| | | DAC1_OUT1 pin not connected (internal connection only) | - | 2 | 3.5 | μs | |
| I_{leak} | Output leakage current | Sample and hold mode, DAC1_OUT1 pin connected | - | - | _(3) | nA | |
| C_{int} | Internal sample and hold capacitor | - | 5.2 | 7 | 8.8 | pF | |
| t_{TRIM} | Middle code offset trim time | DAC output buffer ON | 50 | - | - | μs | |
| V_{offset} | Middle code offset for 1 trim code step | $V_{\text{REF+}} = 3.6 \text{ V}$ | - | 1500 | - | μV | |
| | | $V_{\text{REF+}} = 1.8 \text{ V}$ | - | 750 | - | | |
| $I_{\text{DDA(DAC)}}$ | DAC consumption from V_{DDA} | DAC output buffer ON | No load, middle code (0x800) | - | 315 | 500 | μA |
| | | | No load, worst code (0xF1C) | - | 450 | 670 | |
| | | DAC output buffer OFF | No load, middle code (0x800) | - | - | 0.2 | |
| | | Sample and hold mode, $C_{\text{SH}} = 100 \text{ nF}$ | - | $315 \times T_{\text{on}} / (T_{\text{on}} + T_{\text{off}})$ (4) | $670 \times T_{\text{on}} / (T_{\text{on}} + T_{\text{off}})$ (4) | | |

Table 72. DAC characteristics⁽¹⁾ (continued)

| Symbol | Parameter | Conditions | Min | Typ | Max | Unit | |
|------------------------|--|--|------------------------------|---------------------------------------|---------------------------------------|------|----|
| I _{DDV} (DAC) | DAC consumption from V _{REF+} | DAC output buffer ON | No load, middle code (0x800) | - | 185 | 240 | μA |
| | | | No load, worst code (0xF1C) | - | 340 | 400 | |
| | | DAC output buffer OFF | No load, middle code (0x800) | - | 155 | 205 | |
| | | Sample and hold mode, buffer ON, C _{SH} = 100 nF, worst case | - | 185 x Ton/(Ton + Toff) ⁽⁴⁾ | 400 x Ton/(Ton + Toff) ⁽⁴⁾ | | |
| | | Sample and hold mode, buffer OFF, C _{SH} = 100 nF, worst case | - | 155 x Ton/(Ton + Toff) ⁽⁴⁾ | 205 x Ton/(Ton + Toff) ⁽⁴⁾ | | |

1. Guaranteed by design.
2. In buffered mode, the output can overshoot above the final value for low input code (starting from min value).
3. Refer to [Table 60: I/O static characteristics](#).
4. Ton is the Refresh phase duration. Toff is the Hold phase duration. Refer to RM0394 reference manual for more details.

Figure 30. 12-bit buffered / non-buffered DAC



1. The DAC integrates an output buffer that can be used to reduce the output impedance and to drive external loads directly without the use of an external operational amplifier. The buffer can be bypassed by configuring the BOFFx bit in the DAC_CR register.

Table 73. DAC accuracy⁽¹⁾

| Symbol | Parameter | Conditions | Min | Typ | Max | Unit | |
|-----------|--|--|---------------------------|------|------|------|-----|
| DNL | Differential non linearity ⁽²⁾ | DAC output buffer ON | - | - | ±2 | LSB | |
| | | DAC output buffer OFF | - | - | ±2 | | |
| - | monotonicity | 10 bits | guaranteed | | | | |
| INL | Integral non linearity ⁽³⁾ | DAC output buffer ON CL ≤ 50 pF, RL ≥ 5 kΩ | - | - | ±4 | | |
| | | DAC output buffer OFF CL ≤ 50 pF, no RL | - | - | ±4 | | |
| Offset | Offset error at code 0x800 ⁽³⁾ | DAC output buffer ON CL ≤ 50 pF, RL ≥ 5 kΩ | V _{REF+} = 3.6 V | - | - | | ±12 |
| | | | V _{REF+} = 1.8 V | - | - | | ±25 |
| | | DAC output buffer OFF CL ≤ 50 pF, no RL | | - | - | | ±8 |
| Offset1 | Offset error at code 0x001 ⁽⁴⁾ | DAC output buffer OFF CL ≤ 50 pF, no RL | - | - | ±5 | | |
| OffsetCal | Offset Error at code 0x800 after calibration | DAC output buffer ON CL ≤ 50 pF, RL ≥ 5 kΩ | V _{REF+} = 3.6 V | - | - | ±5 | |
| | | | V _{REF+} = 1.8 V | - | - | ±7 | |
| Gain | Gain error ⁽⁵⁾ | DAC output buffer ON CL ≤ 50 pF, RL ≥ 5 kΩ | - | - | ±0.5 | % | |
| | | DAC output buffer OFF CL ≤ 50 pF, no RL | - | - | ±0.5 | | |
| TUE | Total unadjusted error | DAC output buffer ON CL ≤ 50 pF, RL ≥ 5 kΩ | - | - | ±30 | LSB | |
| | | DAC output buffer OFF CL ≤ 50 pF, no RL | - | - | ±12 | | |
| TUECal | Total unadjusted error after calibration | DAC output buffer ON CL ≤ 50 pF, RL ≥ 5 kΩ | - | - | ±23 | LSB | |
| SNR | Signal-to-noise ratio | DAC output buffer ON CL ≤ 50 pF, RL ≥ 5 kΩ 1 kHz, BW 500 kHz | - | 71.2 | - | dB | |
| | | DAC output buffer OFF CL ≤ 50 pF, no RL, 1 kHz BW 500 kHz | - | 71.6 | - | | |
| THD | Total harmonic distortion | DAC output buffer ON CL ≤ 50 pF, RL ≥ 5 kΩ, 1 kHz | - | -78 | - | dB | |
| | | DAC output buffer OFF CL ≤ 50 pF, no RL, 1 kHz | - | -79 | - | | |

Table 73. DAC accuracy⁽¹⁾ (continued)

| Symbol | Parameter | Conditions | Min | Typ | Max | Unit |
|--------|--------------------------------------|--|-----|------|-----|------|
| SINAD | Signal-to-noise and distortion ratio | DAC output buffer ON CL ≤ 50 pF, RL ≥ 5 kΩ, 1 kHz | - | 70.4 | - | dB |
| | | DAC output buffer OFF CL ≤ 50 pF, no RL, 1 kHz | - | 71 | - | |
| ENOB | Effective number of bits | DAC output buffer ON CL ≤ 50 pF, RL ≥ 5 kΩ, 1 kHz | - | 11.4 | - | bits |
| | | DAC output buffer OFF CL ≤ 50 pF, no RL, 1 kHz | - | 11.5 | - | |

1. Guaranteed by design.
2. Difference between two consecutive codes - 1 LSB.
3. Difference between measured value at Code i and the value at Code i on a line drawn between Code 0 and last Code 4095.
4. Difference between the value measured at Code (0x001) and the ideal value.
5. Difference between ideal slope of the transfer function and measured slope computed from code 0x000 and 0xFF when buffer is OFF, and from code giving 0.2 V and (V_{REF+} - 0.2) V when buffer is ON.

6.3.20 Voltage reference buffer characteristics

Table 74. VREFBUF characteristics⁽¹⁾

| Symbol | Parameter | Conditions | | Min | Typ | Max | Unit |
|-------------------|---|--|------------------------------|----------------------------|------------|---------------------------|-----------------------|
| V_{DDA} | Analog supply voltage | Normal mode | $V_{RS} = 0$ | 2.4 | - | 3.6 | V |
| | | | $V_{RS} = 1$ | 2.8 | - | 3.6 | |
| | | Degraded mode ⁽²⁾ | $V_{RS} = 0$ | 1.65 | - | 2.4 | |
| | | | $V_{RS} = 1$ | 1.65 | - | 2.8 | |
| V_{REFBUF_OUT} | Voltage reference output | Normal mode | $V_{RS} = 0$ | 2.046 ⁽³⁾ | 2.048 | 2.049 ⁽³⁾ | |
| | | | $V_{RS} = 1$ | 2.498 ⁽³⁾ | 2.5 | 2.502 ⁽³⁾ | |
| | | Degraded mode ⁽²⁾ | $V_{RS} = 0$ | $V_{DDA} - 150 \text{ mV}$ | - | V_{DDA} | |
| | | | $V_{RS} = 1$ | $V_{DDA} - 150 \text{ mV}$ | - | V_{DDA} | |
| TRIM | Trim step resolution | - | - | - | ± 0.05 | ± 0.1 | % |
| CL | Load capacitor | - | - | 0.5 | 1 | 1.5 | μF |
| esr | Equivalent Serial Resistor of Cload | - | - | - | - | 2 | Ω |
| I_{load} | Static load current | - | - | - | - | 4 | mA |
| I_{line_reg} | Line regulation | $2.8 \text{ V} \leq V_{DDA} \leq 3.6 \text{ V}$ | $I_{load} = 500 \mu\text{A}$ | - | 200 | 1000 | ppm/V |
| | | | $I_{load} = 4 \text{ mA}$ | - | 100 | 500 | |
| I_{load_reg} | Load regulation | $500 \mu\text{A} \leq I_{load} \leq 4 \text{ mA}$ | Normal mode | - | 50 | 500 | ppm/mA |
| T_{Coeff} | Temperature coefficient | $-40 \text{ }^\circ\text{C} < T_J < +125 \text{ }^\circ\text{C}$ | | - | - | $T_{coeff_vrefint + 50}$ | ppm/ $^\circ\text{C}$ |
| | | $0 \text{ }^\circ\text{C} < T_J < +50 \text{ }^\circ\text{C}$ | | - | - | $T_{coeff_vrefint + 50}$ | |
| PSRR | Power supply rejection | DC | | 40 | 60 | - | dB |
| | | 100 kHz | | 25 | 40 | - | |
| t_{START} | Start-up time | $CL = 0.5 \mu\text{F}^{(4)}$ | | - | 300 | 350 | μs |
| | | $CL = 1.1 \mu\text{F}^{(4)}$ | | - | 500 | 650 | |
| | | $CL = 1.5 \mu\text{F}^{(4)}$ | | - | 650 | 800 | |
| I_{INRUSH} | Control of maximum DC current drive on VREFBUF_OUT during start-up phase ⁽⁵⁾ | - | - | - | 8 | - | mA |

Table 74. VREFBUF characteristics⁽¹⁾ (continued)

| Symbol | Parameter | Conditions | Min | Typ | Max | Unit |
|--------------------|------------------------------------|------------------------|-----|-----|-----|---------|
| $I_{DDA}(VREFBUF)$ | VREFBUF consumption from V_{DDA} | $I_{load} = 0 \mu A$ | - | 16 | 25 | μA |
| | | $I_{load} = 500 \mu A$ | - | 18 | 30 | |
| | | $I_{load} = 4 mA$ | - | 35 | 50 | |

1. Guaranteed by design, unless otherwise specified.
2. In degraded mode, the voltage reference buffer can not maintain accurately the output voltage which will follow (V_{DDA} - drop voltage).
3. Guaranteed by test in production.
4. The capacitive load must include a 100 nF capacitor in order to cut-off the high frequency noise.
5. To correctly control the VREFBUF inrush current during start-up phase and scaling change, the V_{DDA} voltage should be in the range [2.4 V to 3.6 V] and [2.8 V to 3.6 V] respectively for $V_{RS} = 0$ and $V_{RS} = 1$.

6.3.21 Comparator characteristics

Table 75. COMP characteristics⁽¹⁾

| Symbol | Parameter | Conditions | Min | Typ | Max | Unit | |
|----------------------|--|---------------------------|----------------------|---------|-----------|---------|---------|
| V_{DDA} | Analog supply voltage | - | 1.62 | - | 3.6 | V | |
| V_{IN} | Comparator input voltage range | - | 0 | - | V_{DDA} | | |
| $V_{BG}^{(2)}$ | Scaler input voltage | - | V_{REFINT} | | | | |
| V_{SC} | Scaler offset voltage | - | - | ± 5 | ± 10 | mV | |
| $I_{DDA(SCALER)}$ | Scaler static consumption from V_{DDA} | BRG_EN=0 (bridge disable) | - | 200 | 300 | nA | |
| | | BRG_EN=1 (bridge enable) | - | 0.8 | 1 | μA | |
| t_{START_SCALER} | Scaler startup time | - | - | 100 | 200 | μs | |
| t_{START} | Comparator startup time to reach propagation delay specification | High-speed mode | $V_{DDA} \geq 2.7 V$ | - | - | 5 | μs |
| | | | $V_{DDA} < 2.7 V$ | - | - | 7 | |
| | | Medium mode | $V_{DDA} \geq 2.7 V$ | - | - | 15 | |
| | | | $V_{DDA} < 2.7 V$ | - | - | 25 | |
| Ultra-low-power mode | | - | - | 40 | | | |
| $t_D^{(3)}$ | Propagation delay with 100 mV overdrive | High-speed mode | $V_{DDA} \geq 2.7 V$ | - | 55 | 80 | ns |
| | | | $V_{DDA} < 2.7 V$ | - | 65 | 100 | |
| | | Medium mode | - | 0.55 | 0.9 | μs | |
| Ultra-low-power mode | | - | 4 | 7 | | | |
| V_{offset} | Comparator offset error | Full common mode range | - | ± 5 | ± 20 | mV | |
| V_{hys} | Comparator hysteresis | No hysteresis | | - | 0 | - | mV |
| | | Low hysteresis | | - | 8 | - | |
| | | Medium hysteresis | | - | 15 | - | |
| | | High hysteresis | | - | 27 | - | |

Table 75. COMP characteristics⁽¹⁾ (continued)

| Symbol | Parameter | Conditions | | Min | Typ | Max | Unit |
|-------------------------|--|----------------------|---|-----|------|------|------|
| I _{DDA} (COMP) | Comparator consumption from V _{DDA} | Ultra-low-power mode | Static | - | 400 | 600 | nA |
| | | | With 50 kHz ±100 mV overdrive square signal | - | 1200 | - | |
| | | Medium mode | Static | - | 5 | 7 | µA |
| | | | With 50 kHz ±100 mV overdrive square signal | - | 6 | - | |
| | | High-speed mode | Static | - | 70 | 100 | |
| | | | With 50 kHz ±100 mV overdrive square signal | - | 75 | - | |
| I _{bias} | Comparator input bias current | - | | - | - | -(4) | nA |

1. Guaranteed by design, unless otherwise specified.
2. Refer to [Table 25: Embedded internal voltage reference](#).
3. Guaranteed by characterization results.
4. Mostly I/O leakage when used in analog mode. Refer to I_{Ikg} parameter in [Table 60: I/O static characteristics](#).

6.3.22 Operational amplifiers characteristics

Table 76. OPAMP characteristics⁽¹⁾

| Symbol | Parameter | Conditions | Min | Typ | Max | Unit |
|------------------------------|---|---------------------------|-----|-----|------------------|-------|
| V _{DDA} | Analog supply voltage ⁽²⁾ | - | 1.8 | - | 3.6 | V |
| CMIR | Common mode input range | - | 0 | - | V _{DDA} | V |
| V _I OFFSET | Input offset voltage | 25 °C, No Load on output. | - | - | ±1.5 | mV |
| | | All voltage/Temp. | - | - | ±3 | |
| ΔV _I OFFSET | Input offset voltage drift | Normal mode | - | ±5 | - | µV/°C |
| | | Low-power mode | - | ±10 | - | |
| TRIMOFFSETP TRIMLPOFFSETP | Offset trim step at low common input voltage (0.1 × V _{DDA}) | - | - | 0.8 | 1.1 | mV |
| TRIMOFFSETN TRIMLPOFFSETN | Offset trim step at high common input voltage (0.9 × V _{DDA}) | - | - | 1 | 1.35 | |

Table 76. OPAMP characteristics⁽¹⁾ (continued)

| Symbol | Parameter | Conditions | | Min | Typ | Max | Unit |
|-------------------|---|----------------|---|-----------------|------|------|------------------|
| I_{LOAD} | Drive current | Normal mode | $V_{DDA} \geq 2\text{ V}$ | - | - | 500 | μA |
| | | Low-power mode | | - | - | 100 | |
| I_{LOAD_PGA} | Drive current in PGA mode | Normal mode | $V_{DDA} \geq 2\text{ V}$ | - | - | 450 | |
| | | Low-power mode | | - | - | 50 | |
| R_{LOAD} | Resistive load (connected to VSSA or to VDDA) | Normal mode | $V_{DDA} < 2\text{ V}$ | 4 | - | - | $\text{k}\Omega$ |
| | | Low-power mode | | 20 | - | - | |
| R_{LOAD_PGA} | Resistive load in PGA mode (connected to VSSA or to VDDA) | Normal mode | $V_{DDA} < 2\text{ V}$ | 4.5 | - | - | |
| | | Low-power mode | | 40 | - | - | |
| C_{LOAD} | Capacitive load | - | | - | - | 50 | pF |
| CMRR | Common mode rejection ratio | Normal mode | | - | -85 | - | dB |
| | | Low-power mode | | - | -90 | - | |
| PSRR | Power supply rejection ratio | Normal mode | $C_{LOAD} \leq 50\text{ pf}$, $R_{LOAD} \geq 4\text{ k}\Omega\text{ DC}$ | 70 | 85 | - | dB |
| | | Low-power mode | $C_{LOAD} \leq 50\text{ pf}$, $R_{LOAD} \geq 20\text{ k}\Omega\text{ DC}$ | 72 | 90 | - | |
| GBW | Gain Bandwidth Product | Normal mode | $V_{DDA} \geq 2.4\text{ V}$ (OPA_RANGE = 1) | 550 | 1600 | 2200 | kHz |
| | | Low-power mode | | 100 | 420 | 600 | |
| | | Normal mode | $V_{DDA} < 2.4\text{ V}$ (OPA_RANGE = 0) | 250 | 700 | 950 | |
| | | Low-power mode | | 40 | 180 | 280 | |
| SR ⁽³⁾ | Slew rate (from 10 and 90% of output voltage) | Normal mode | $V_{DDA} \geq 2.4\text{ V}$ | - | 700 | - | V/ms |
| | | Low-power mode | | - | 180 | - | |
| | | Normal mode | $V_{DDA} < 2.4\text{ V}$ | - | 300 | - | |
| | | Low-power mode | | - | 80 | - | |
| AO | Open loop gain | Normal mode | | 55 | 110 | - | dB |
| | | Low-power mode | | 45 | 110 | - | |
| $V_{OHSAT}^{(3)}$ | High saturation voltage | Normal mode | $I_{load} = \text{max}$ or $R_{load} = \text{min}$ Input at V_{DDA} . | $V_{DDA} - 100$ | - | - | mV |
| | | Low-power mode | | $V_{DDA} - 50$ | - | - | |
| $V_{OLSAT}^{(3)}$ | Low saturation voltage | Normal mode | $I_{load} = \text{max}$ or $R_{load} = \text{min}$ Input at 0. | - | - | 100 | |
| | | Low-power mode | | - | - | 50 | |
| Φ_m | Phase margin | Normal mode | | - | 74 | - | $^\circ$ |
| | | Low-power mode | | - | 66 | - | |

Table 76. OPAMP characteristics⁽¹⁾ (continued)

| Symbol | Parameter | Conditions | | Min | Typ | Max | Unit |
|-------------------------|---|-----------------------|---|-----|--------|------|-------|
| GM | Gain margin | Normal mode | | - | 13 | - | dB |
| | | Low-power mode | | - | 20 | - | |
| t _{WAKEUP} | Wake up time from OFF state. | Normal mode | C _{LOAD} ≤ 50 pf, R _{LOAD} ≥ 4 kΩ follower configuration | - | 5 | 10 | µs |
| | | Low-power mode | C _{LOAD} ≤ 50 pf, R _{LOAD} ≥ 20 kΩ follower configuration | - | 10 | 30 | |
| I _{bias} | OPAMP input bias current | General purpose input | | - | - | -(4) | nA |
| PGA gain ⁽³⁾ | Non inverting gain value | - | | - | 2 | - | - |
| | | | | - | 4 | - | |
| | | | | - | 8 | - | |
| | | | | - | 16 | - | |
| R _{network} | R2/R1 internal resistance values in PGA mode ⁽⁵⁾ | PGA Gain = 2 | | - | 80/80 | - | kΩ/kΩ |
| | | PGA Gain = 4 | | - | 120/40 | - | |
| | | PGA Gain = 8 | | - | 140/20 | - | |
| | | PGA Gain = 16 | | - | 150/10 | - | |
| Delta R | Resistance variation (R1 or R2) | - | | -15 | - | 15 | % |
| PGA gain error | PGA gain error | - | | -1 | - | 1 | % |
| PGA BW | PGA bandwidth for different non inverting gain | Gain = 2 | - | - | GBW/2 | - | MHz |
| | | Gain = 4 | - | - | GBW/4 | - | |
| | | Gain = 8 | - | - | GBW/8 | - | |
| | | Gain = 16 | - | - | GBW/16 | - | |

Table 76. OPAMP characteristics⁽¹⁾ (continued)

| Symbol | Parameter | Conditions | | Min | Typ | Max | Unit |
|---|---|----------------|-------------------------------------|-----|-----|-----|--------|
| en | Voltage noise density | Normal mode | at 1 kHz, Output loaded with 4 kΩ | - | 500 | - | nV/√Hz |
| | | Low-power mode | at 1 kHz, Output loaded with 20 kΩ | - | 600 | - | |
| | | Normal mode | at 10 kHz, Output loaded with 4 kΩ | - | 180 | - | |
| | | Low-power mode | at 10 kHz, Output loaded with 20 kΩ | - | 290 | - | |
| I _{DDA} (OPAMP) ⁽³⁾ | OPAMP consumption from V _{DDA} | Normal mode | no Load, quiescent mode | - | 120 | 260 | μA |
| | | Low-power mode | | - | 45 | 100 | |

1. Guaranteed by design, unless otherwise specified.
2. The temperature range is limited to 0 °C-125 °C when V_{DDA} is below 2 V
3. Guaranteed by characterization results.
4. Mostly I/O leakage, when used in analog mode. Refer to I_{lkg} parameter in [Table 60: I/O static characteristics](#).
5. R2 is the internal resistance between OPAMP output and OPAMP inverting input. R1 is the internal resistance between OPAMP inverting input and ground. The PGA gain = 1+R2/R1

6.3.23 Temperature sensor characteristics

Table 77. TS characteristics

| Symbol | Parameter | Min | Typ | Max | Unit |
|---|--|-------|------|-------|-------|
| T _L ⁽¹⁾ | V _{TS} linearity with temperature | - | ±1 | ±2 | °C |
| Avg_Slope ⁽²⁾ | Average slope | 2.3 | 2.5 | 2.7 | mV/°C |
| V ₃₀ | Voltage at 30°C (±5 °C) ⁽³⁾ | 0.742 | 0.76 | 0.785 | V |
| t _{START} (TS_BUF) ⁽¹⁾ | Sensor Buffer Start-up time in continuous mode ⁽⁴⁾ | - | 8 | 15 | μs |
| t _{START} ⁽¹⁾ | Start-up time when entering in continuous mode ⁽⁴⁾ | - | 70 | 120 | μs |
| t _{S_temp} ⁽¹⁾ | ADC sampling time when reading the temperature | 5 | - | - | μs |
| I _{DD} (TS) ⁽¹⁾ | Temperature sensor consumption from V _{DD} , when selected by ADC | - | 4.7 | 7 | μA |

1. Guaranteed by design.
2. Guaranteed by characterization results.
3. Measured at V_{DDA} = 3.0 V ±10 mV. The V₃₀ ADC conversion result is stored in the TS_CAL1 byte. Refer to [Table 7: Temperature sensor calibration values](#).
4. Continuous mode means Run/Sleep modes, or temperature sensor enable in Low-power run/Low-power sleep modes.

6.3.24 V_{BAT} monitoring characteristics

Table 78. V_{BAT} monitoring characteristics

| Symbol | Parameter | Min | Typ | Max | Unit |
|------------------------------------|---|-----|-----|-----|------|
| R | Resistor bridge for V _{BAT} | - | 39 | - | kΩ |
| Q | Ratio on V _{BAT} measurement | - | 3 | - | - |
| Er ⁽¹⁾ | Error on Q | -10 | - | 10 | % |
| t _{S_vbat} ⁽¹⁾ | ADC sampling time when reading the VBAT | 12 | - | - | μs |

1. Guaranteed by design.

Table 79. V_{BAT} charging characteristics

| Symbol | Parameter | Conditions | Min | Typ | Max | Unit |
|-----------------|---------------------------|------------|-----|-----|-----|------|
| R _{BC} | Battery charging resistor | VBRS = 0 | - | 5 | - | kΩ |
| | | VBRS = 1 | - | 1.5 | - | |

6.3.25 Timer characteristics

The parameters given in the following tables are guaranteed by design.

Refer to [Section 6.3.14: I/O port characteristics](#) for details on the input/output alternate function characteristics (output compare, input capture, external clock, PWM output).

Table 80. TIMx⁽¹⁾ characteristics

| Symbol | Parameter | Conditions | Min | Max | Unit |
|------------------------|--|-------------------------------|--------|-------------------------|----------------------|
| t _{res(TIM)} | Timer resolution time | - | 1 | - | t _{TIMxCLK} |
| | | f _{TIMxCLK} = 80 MHz | 12.5 | - | ns |
| f _{EXT} | Timer external clock frequency on CH1 to CH4 | - | 0 | f _{TIMxCLK} /2 | MHz |
| | | f _{TIMxCLK} = 80 MHz | 0 | 40 | MHz |
| Res _{TIM} | Timer resolution | TIMx (except TIM2) | - | 16 | bit |
| | | TIM2 | - | 32 | |
| t _{COUNTER} | 16-bit counter clock period | - | 1 | 65536 | t _{TIMxCLK} |
| | | f _{TIMxCLK} = 80 MHz | 0.0125 | 819.2 | μs |
| t _{MAX_COUNT} | Maximum possible count with 32-bit counter | - | - | 65536 × 65536 | t _{TIMxCLK} |
| | | f _{TIMxCLK} = 80 MHz | - | 53.68 | s |

1. TIMx is used as a general term in which x stands for 1,2,3,4,5,6,7,8,15,16 or 17.

Table 81. IWDG min/max timeout period at 32 kHz (LSI)⁽¹⁾

| Prescaler divider | PR[2:0] bits | Min timeout RL[11:0]= 0x000 | Max timeout RL[11:0]= 0xFFFF | Unit |
|-------------------|--------------|--------------------------------|---------------------------------|------|
| /4 | 0 | 0.125 | 512 | ms |
| /8 | 1 | 0.250 | 1024 | |
| /16 | 2 | 0.500 | 2048 | |
| /32 | 3 | 1.0 | 4096 | |
| /64 | 4 | 2.0 | 8192 | |
| /128 | 5 | 4.0 | 16384 | |
| /256 | 6 or 7 | 8.0 | 32768 | |

1. The exact timings still depend on the phasing of the APB interface clock versus the LSI clock so that there is always a full RC period of uncertainty.

Table 82. WWDG min/max timeout value at 80 MHz (PCLK)

| Prescaler | WDGTB | Min timeout value | Max timeout value | Unit |
|-----------|-------|-------------------|-------------------|------|
| 1 | 0 | 0.0512 | 3.2768 | ms |
| 2 | 1 | 0.1024 | 6.5536 | |
| 4 | 2 | 0.2048 | 13.1072 | |
| 8 | 3 | 0.4096 | 26.2144 | |

6.3.26 Communication interfaces characteristics

I²C interface characteristics

The I2C interface meets the timings requirements of the I²C-bus specification and user manual rev. 03 for:

- Standard-mode (Sm): with a bit rate up to 100 kbit/s
- Fast-mode (Fm): with a bit rate up to 400 kbit/s
- Fast-mode Plus (Fm+): with a bit rate up to 1 Mbit/s.

The I2C timings requirements are guaranteed by design when the I2C peripheral is properly configured (refer to RM0394 reference manual).

The SDA and SCL I/O requirements are met with the following restrictions: the SDA and SCL I/O pins are not “true” open-drain. When configured as open-drain, the PMOS connected between the I/O pin and V_{DDIOx} is disabled, but is still present. Only FT_f I/O pins support Fm+ low level output current maximum requirement. Refer to [Section 6.3.14: I/O port characteristics](#) for the I2C I/Os characteristics.

All I2C SDA and SCL I/Os embed an analog filter. Refer to the table below for the analog filter characteristics:

Table 83. I2C analog filter characteristics⁽¹⁾

| Symbol | Parameter | Min | Max | Unit |
|----------|--|-------------------|--------------------|------|
| t_{AF} | Maximum pulse width of spikes that are suppressed by the analog filter | 50 ⁽²⁾ | 260 ⁽³⁾ | ns |

1. Guaranteed by design.
2. Spikes with widths below $t_{AF(min)}$ are filtered.
3. Spikes with widths above $t_{AF(max)}$ are not filtered

SPI characteristics

Unless otherwise specified, the parameters given in [Table 84](#) for SPI are derived from tests performed under the ambient temperature, f_{PCLKx} frequency and supply voltage conditions summarized in [Table 22: General operating conditions](#).

- Output speed is set to OSPEEDRy[1:0] = 11
- Capacitive load C = 30 pF
- Measurement points are done at CMOS levels: $0.5 \times V_{DD}$

Refer to [Section 6.3.14: I/O port characteristics](#) for more details on the input/output alternate function characteristics (NSS, SCK, MOSI, MISO for SPI).

Table 84. SPI characteristics⁽¹⁾

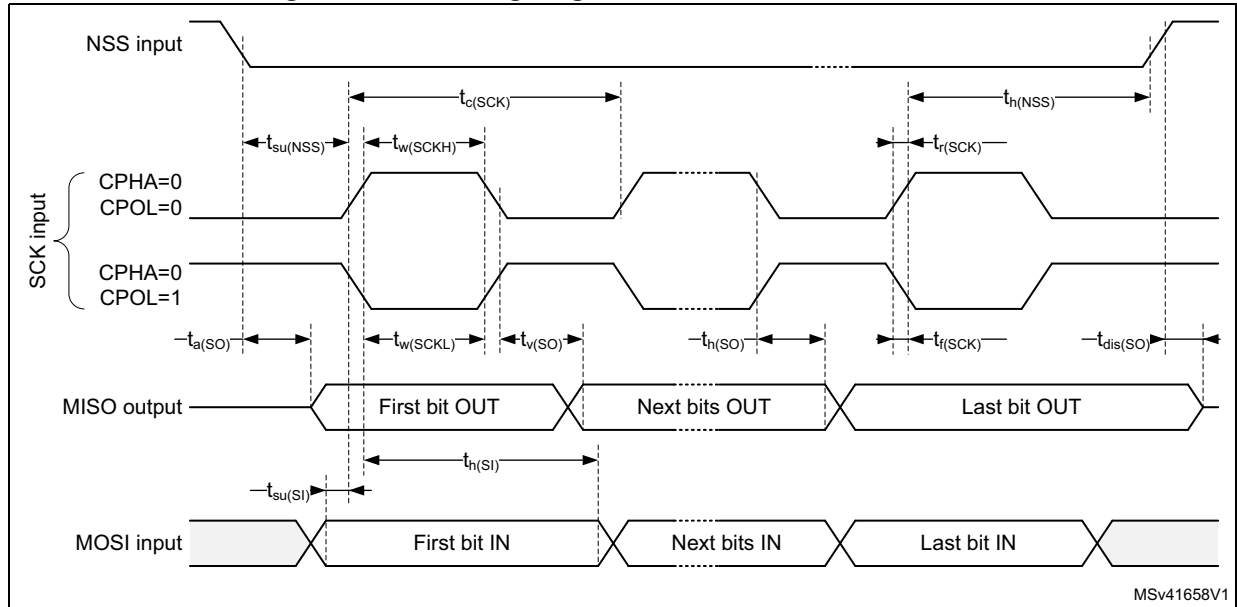
| Symbol | Parameter | Conditions | Min | Typ | Max | Unit |
|-----------------------------|--------------------------|--|---------------------|------------|-------------------|------|
| f_{SCK} $1/t_{c(SCK)}$ | SPI clock frequency | Master mode receiver/full duplex $2.7 < V_{DD} < 3.6$ V Voltage Range 1 | - | - | 40 | MHz |
| | | Master mode receiver/full duplex $1.71 < V_{DD} < 3.6$ V Voltage Range 1 | | | 16 | |
| | | Master mode transmitter $1.71 < V_{DD} < 3.6$ V Voltage Range 1 | | | 40 | |
| | | Slave mode receiver $1.71 < V_{DD} < 3.6$ V Voltage Range 1 | | | 40 | |
| | | Slave mode transmitter/full duplex $2.7 < V_{DD} < 3.6$ V Voltage Range 1 | | | 37 ⁽²⁾ | |
| | | Slave mode transmitter/full duplex $1.71 < V_{DD} < 3.6$ V Voltage Range 1 | | | 20 ⁽²⁾ | |
| | | Voltage Range 2 | | | 13 | |
| $t_{su(NSS)}$ | NSS setup time | Slave mode, SPI prescaler = 2 | $4 \times T_{PCLK}$ | - | - | ns |
| $t_{h(NSS)}$ | NSS hold time | Slave mode, SPI prescaler = 2 | $2 \times T_{PCLK}$ | - | - | ns |
| $t_w(SCKH)$ $t_w(SCKL)$ | SCK high and low time | Master mode | $T_{PCLK} - 2$ | T_{PCLK} | $T_{PCLK} + 2$ | ns |
| $t_{su(MI)}$ | Data input setup time | Master mode | 4 | - | - | ns |
| $t_{su(SI)}$ | | Slave mode | 1.5 | - | - | |
| $t_{h(MI)}$ | Data input hold time | Master mode | 6.5 | - | - | ns |
| $t_{h(SI)}$ | | Slave mode | 1.5 | - | - | |
| $t_a(SO)$ | Data output access time | Slave mode | 9 | - | 36 | ns |
| $t_{dis(SO)}$ | Data output disable time | Slave mode | 9 | - | 16 | ns |

Table 84. SPI characteristics⁽¹⁾ (continued)

| Symbol | Parameter | Conditions | Min | Typ | Max | Unit |
|-------------|------------------------|---|-----|------|------|------|
| $t_{v(SO)}$ | Data output valid time | Slave mode $2.7 < V_{DD} < 3.6$ V Voltage Range 1 | - | 12.5 | 13.5 | ns |
| | | Slave mode $1.71 < V_{DD} < 3.6$ V Voltage Range 1 | - | 12.5 | 24 | |
| | | Slave mode $1.71 < V_{DD} < 3.6$ V Voltage Range 2 | - | 12.5 | 33 | |
| $t_{v(MO)}$ | | Master mode | - | 4.5 | 6 | |
| $t_{h(SO)}$ | Data output hold time | Slave mode | 7 | - | - | ns |
| $t_{h(MO)}$ | | Master mode | 0 | - | - | |

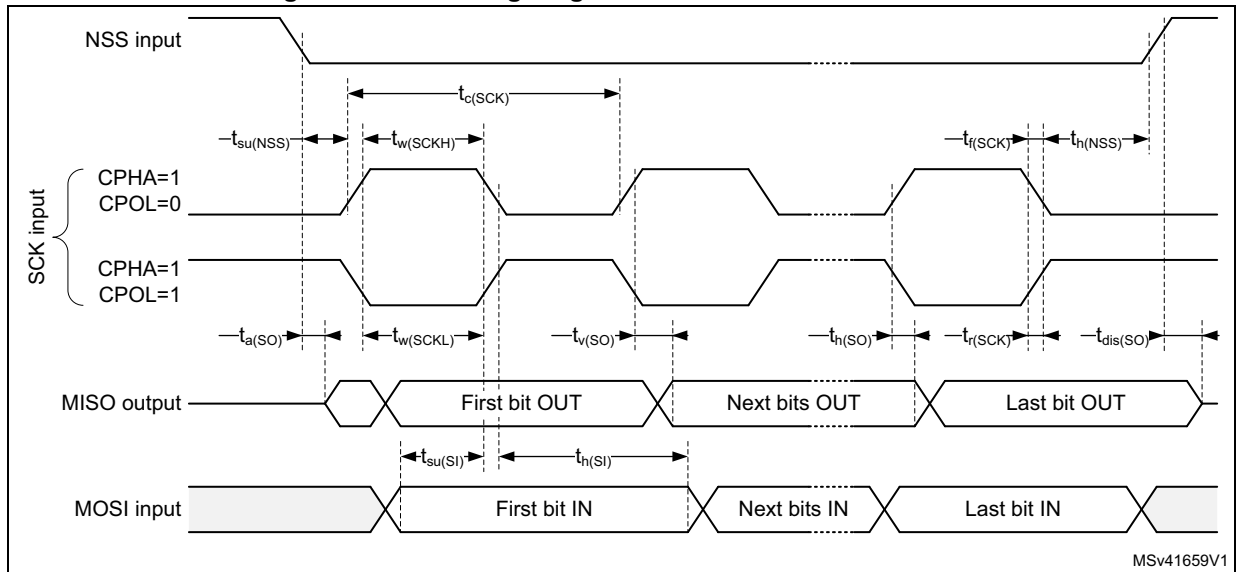
1. Guaranteed by characterization results.
2. Maximum frequency in Slave transmitter mode is determined by the sum of $t_{v(SO)}$ and $t_{su(MI)}$ which has to fit into SCK low or high phase preceding the SCK sampling edge. This value can be achieved when the SPI communicates with a master having $t_{su(MI)} = 0$ while Duty(SCK) = 50 %.

Figure 31. SPI timing diagram - slave mode and CPHA = 0



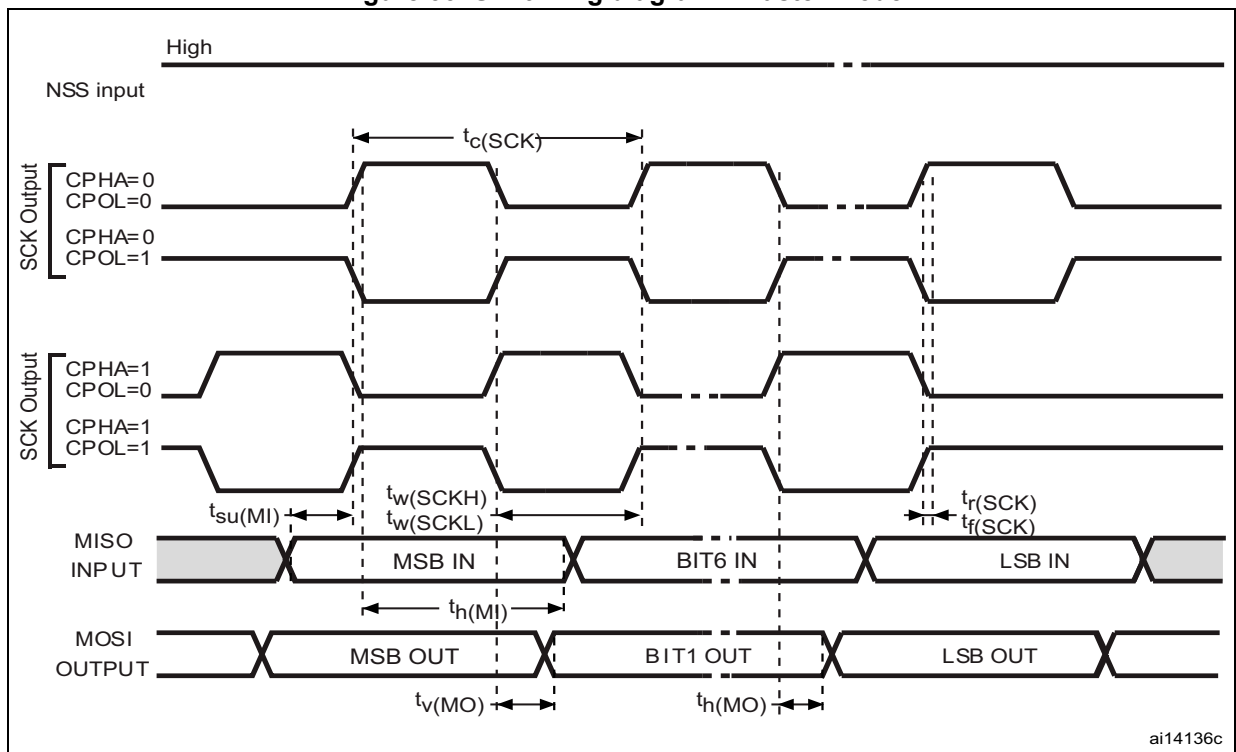
MSV41658V1

Figure 32. SPI timing diagram - slave mode and CPHA = 1



1. Measurement points are done at CMOS levels: 0.3 V_{DD} and 0.7 V_{DD}.

Figure 33. SPI timing diagram - master mode



1. Measurement points are done at CMOS levels: 0.3 V_{DD} and 0.7 V_{DD}.

Quad SPI characteristics

Unless otherwise specified, the parameters given in [Table 85](#) and [Table 86](#) for Quad SPI are derived from tests performed under the ambient temperature, f_{AHB} frequency and V_{DD} supply voltage conditions summarized in [Table 22: General operating conditions](#), with the following configuration:

- Output speed is set to OSPEEDRy[1:0] = 11
- Capacitive load C = 15 or 20 pF
- Measurement points are done at CMOS levels: $0.5 \times V_{DD}$

Refer to [Section 6.3.14: I/O port characteristics](#) for more details on the input/output alternate function characteristics.

Table 85. Quad SPI characteristics in SDR mode⁽¹⁾

| Symbol | Parameter | Conditions | Min | Typ | Max | Unit |
|------------------------|----------------------------------|---|--------------|-----|--------------|------|
| F_{CK} $1/t_{CK}$ | Quad SPI clock frequency | $1.71 < V_{DD} < 3.6 \text{ V}$, $C_{LOAD} = 20 \text{ pF}$ Voltage Range 1 | - | - | 40 | MHz |
| | | $1.71 < V_{DD} < 3.6 \text{ V}$, $C_{LOAD} = 15 \text{ pF}$ Voltage Range 1 | - | - | 48 | |
| | | $2.7 < V_{DD} < 3.6 \text{ V}$, $C_{LOAD} = 15 \text{ pF}$ Voltage Range 1 | - | - | 60 | |
| | | $1.71 < V_{DD} < 3.6 \text{ V}$, $C_{LOAD} = 20 \text{ pF}$ Voltage Range 2 | - | - | 26 | |
| $t_{w(CKH)}$ | Quad SPI clock high and low time | $f_{AHBCLK} = 48 \text{ MHz}$, presc=0 | $t_{CK}/2-2$ | - | $t_{CK}/2$ | ns |
| $t_{w(CKL)}$ | | | $t_{CK}/2$ | - | $t_{CK}/2+2$ | |
| $t_{s(IN)}$ | Data input setup time | Voltage Range 1 | 2 | - | - | ns |
| | | Voltage Range 2 | 3.5 | - | - | |
| $t_{h(IN)}$ | Data input hold time | Voltage Range 1 | 5 | - | - | ns |
| | | Voltage Range 2 | 6.5 | - | - | |
| $t_{v(OUT)}$ | Data output valid time | Voltage Range 1 | - | 1 | 5 | ns |
| | | Voltage Range 2 | - | 3 | 5 | |
| $t_{h(OUT)}$ | Data output hold time | Voltage Range 1 | 0 | - | - | ns |
| | | Voltage Range 2 | 0 | - | - | |

1. Guaranteed by characterization results.

Table 86. QUADSPI characteristics in DDR mode⁽¹⁾

| Symbol | Parameter | Conditions | Min | Typ | Max | Unit |
|--------------------------|--|---|----------------|-----|----------------|------|
| F_{CK} $1/t_{(CK)}$ | Quad SPI clock frequency | $1.71 < V_{DD} < 3.6 \text{ V}$, $C_{LOAD} = 20 \text{ pF}$ Voltage Range 1 | - | - | 40 | MHz |
| | | $2 < V_{DD} < 3.6 \text{ V}$, $C_{LOAD} = 20 \text{ pF}$ Voltage Range 1 | - | - | 48 | |
| | | $1.71 < V_{DD} < 3.6 \text{ V}$, $C_{LOAD} = 15 \text{ pF}$ Voltage Range 1 | - | - | 48 | |
| | | $1.71 < V_{DD} < 3.6 \text{ V}$, $C_{LOAD} = 20 \text{ pF}$ Voltage Range 2 | - | - | 26 | |
| $t_{w(CKH)}$ | Quad SPI clock high and low time | $f_{AHBCLK} = 48 \text{ MHz}$, $presc=0$ | $t_{(CK)}/2-2$ | - | $t_{(CK)}/2$ | ns |
| $t_{w(CKL)}$ | | | $t_{(CK)}/2$ | - | $t_{(CK)}/2+2$ | |
| $t_{sr(IN)}$ | Data input setup time on rising edge | Voltage Range 1 | 1 | - | - | |
| | | Voltage Range 2 | 3.5 | - | - | |
| $t_{sf(IN)}$ | Data input setup time on falling edge | Voltage Range 1 | 1 | - | - | |
| | | Voltage Range 2 | 1.5 | - | - | |
| $t_{hr(IN)}$ | Data input hold time on rising edge | Voltage Range 1 | 6 | - | - | |
| | | Voltage Range 2 | 6.5 | - | - | |
| $t_{hf(IN)}$ | Data input hold time on falling edge | Voltage Range 1 | 5.5 | - | - | |
| | | Voltage Range 2 | 5.5 | - | - | |
| $t_{vr(OUT)}$ | Data output valid time on rising edge | Voltage Range 1 | - | 5 | 5.5 | |
| | | Voltage Range 2 | - | 9.5 | 14 | |
| $t_{vf(OUT)}$ | Data output valid time on falling edge | Voltage Range 1 | - | 5 | 8.5 | |
| | | Voltage Range 2 | - | 15 | 19 | |
| $t_{hr(OUT)}$ | Data output hold time on rising edge | Voltage Range 1 | 3.5 | - | - | |
| | | Voltage Range 2 | 8 | - | - | |
| $t_{hf(OUT)}$ | Data output hold time on falling edge | Voltage Range 1 | 3.5 | - | - | |
| | | Voltage Range 2 | 13 | - | - | |

1. Guaranteed by characterization results.

Figure 34. Quad SPI timing diagram - SDR mode

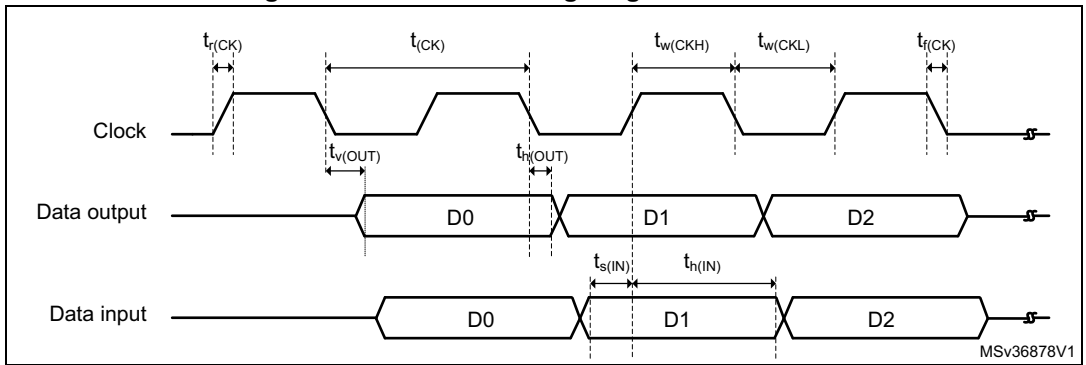
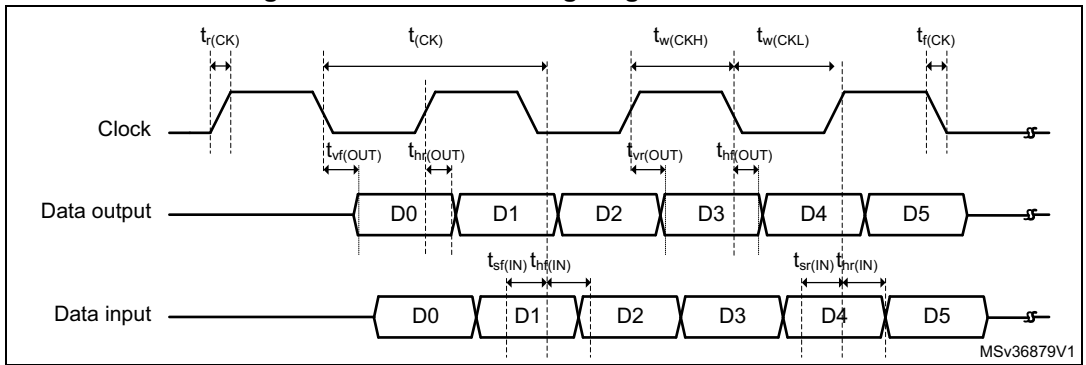


Figure 35. Quad SPI timing diagram - DDR mode



SAI characteristics

Unless otherwise specified, the parameters given in [Table 87](#) for SAI are derived from tests performed under the ambient temperature, f_{PCLKx} frequency and V_{DD} supply voltage conditions summarized in [Table 22: General operating conditions](#), with the following configuration:

- Output speed is set to $OSPEEDRy[1:0] = 10$
- Capacitive load $C = 30$ pF
- Measurement points are done at CMOS levels: $0.5 \times V_{DD}$

Refer to [Section 6.3.14: I/O port characteristics](#) for more details on the input/output alternate function characteristics (CK,SD,FS).

Table 87. SAI characteristics⁽¹⁾

| Symbol | Parameter | Conditions | Min | Max | Unit |
|---------------------|------------------------------------|--|-----|------|------|
| f_{MCLK} | SAI Main clock output | - | - | 50 | MHz |
| f_{CK} | SAI clock frequency ⁽²⁾ | Master transmitter $2.7 \leq V_{DD} \leq 3.6$ Voltage Range 1 | - | 18.5 | MHz |
| | | Master transmitter $1.71 \leq V_{DD} \leq 3.6$ Voltage Range 1 | - | 12.5 | |
| | | Master receiver Voltage Range 1 | - | 25 | |
| | | Slave transmitter $2.7 \leq V_{DD} \leq 3.6$ Voltage Range 1 | - | 22.5 | |
| | | Slave transmitter $1.71 \leq V_{DD} \leq 3.6$ Voltage Range 1 | - | 14.5 | |
| | | Slave receiver Voltage Range 1 | - | 25 | |
| | | Voltage Range 2 | - | 12.5 | |
| $t_{v(FS)}$ | FS valid time | Master mode $2.7 \leq V_{DD} \leq 3.6$ | - | 22 | ns |
| | | Master mode $1.71 \leq V_{DD} \leq 3.6$ | - | 40 | |
| $t_{h(FS)}$ | FS hold time | Master mode | 10 | - | ns |
| $t_{su(FS)}$ | FS setup time | Slave mode | 1 | - | ns |
| $t_{h(FS)}$ | FS hold time | Slave mode | 2 | - | ns |
| $t_{su(SD_A_MR)}$ | Data input setup time | Master receiver | 2 | - | ns |
| $t_{su(SD_B_SR)}$ | | Slave receiver | 1.5 | - | |
| $t_{h(SD_A_MR)}$ | Data input hold time | Master receiver | 5 | - | ns |
| $t_{h(SD_B_SR)}$ | | Slave receiver | 2.5 | - | |

Table 87. SAI characteristics⁽¹⁾ (continued)

| Symbol | Parameter | Conditions | Min | Max | Unit |
|--------------------|------------------------|---|-----|-----|------|
| $t_{v(SD_B_ST)}$ | Data output valid time | Slave transmitter (after enable edge) $2.7 \leq V_{DD} \leq 3.6$ | - | 22 | ns |
| | | Slave transmitter (after enable edge) $1.71 \leq V_{DD} \leq 3.6$ | - | 34 | |
| $t_{h(SD_B_ST)}$ | Data output hold time | Slave transmitter (after enable edge) | 10 | - | ns |
| $t_{v(SD_A_MT)}$ | Data output valid time | Master transmitter (after enable edge) $2.7 \leq V_{DD} \leq 3.6$ | - | 27 | ns |
| | | Master transmitter (after enable edge) $1.71 \leq V_{DD} \leq 3.6$ | - | 40 | |
| $t_{h(SD_A_MT)}$ | Data output hold time | Master transmitter (after enable edge) | 10 | - | ns |

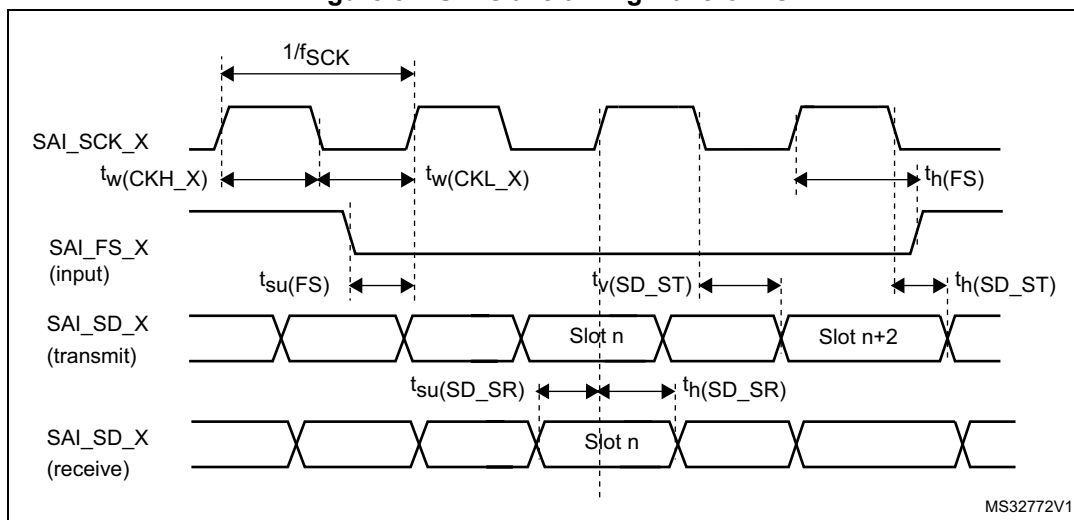
1. Guaranteed by characterization results.
2. APB clock frequency must be at least twice SAI clock frequency.

Figure 36. SAI master timing waveforms



MS32771V1

Figure 37. SAI slave timing waveforms



MS32772V1

SDMMC characteristics

Unless otherwise specified, the parameters given in [Table 88](#) for SDIO are derived from tests performed under the ambient temperature, f_{PCLKx} frequency and V_{DD} supply voltage conditions summarized in [Table 22: General operating conditions](#), with the following configuration:

- Output speed is set to OSPEEDRy[1:0] = 11
- Capacitive load C = 30 pF
- Measurement points are done at CMOS levels: 0.5 × V_{DD}

Refer to [Section 6.3.14: I/O port characteristics](#) for more details on the input/output characteristics.

Table 88. SD / MMC dynamic characteristics, V_{DD}=2.7 V to 3.6 V⁽¹⁾

| Symbol | Parameter | Conditions | Min | Typ | Max | Unit |
|--|---------------------------------------|--------------------------|-----|-----|-----|------|
| f _{PP} | Clock frequency in data transfer mode | - | 0 | - | 50 | MHz |
| - | SDIO_CK/fPCLK2 frequency ratio | - | - | - | 4/3 | - |
| t _w (CKL) | Clock low time | f _{PP} = 50 MHz | 8 | 10 | - | ns |
| t _w (CKH) | Clock high time | f _{PP} = 50 MHz | 8 | 10 | - | ns |
| CMD, D inputs (referenced to CK) in MMC and SD HS mode | | | | | | |
| t _{ISU} | Input setup time HS | f _{PP} = 50 MHz | 3.5 | - | - | ns |
| t _{IH} | Input hold time HS | f _{PP} = 50 MHz | 2.5 | - | - | ns |
| CMD, D outputs (referenced to CK) in MMC and SD HS mode | | | | | | |
| t _{OV} | Output valid time HS | f _{PP} = 50 MHz | - | 12 | 13 | ns |
| t _{OH} | Output hold time HS | f _{PP} = 50 MHz | 10 | - | - | ns |
| CMD, D inputs (referenced to CK) in SD default mode | | | | | | |
| t _{ISUD} | Input setup time SD | f _{PP} = 50 MHz | 3.5 | - | - | ns |
| t _{IHD} | Input hold time SD | f _{PP} = 50 MHz | 3 | - | - | ns |



Table 88. SD / MMC dynamic characteristics, $V_{DD}=2.7\text{ V to }3.6\text{ V}^{(1)}$ (continued)

| Symbol | Parameter | Conditions | Min | Typ | Max | Unit |
|---|------------------------------|--------------------------|-----|-----|-----|------|
| CMD, D outputs (referenced to CK) in SD default mode | | | | | | |
| t_{OVD} | Output valid default time SD | $f_{PP} = 50\text{ MHz}$ | - | 2 | 3 | ns |
| t_{OHD} | Output hold default time SD | $f_{PP} = 50\text{ MHz}$ | 0 | - | - | ns |

1. Guaranteed by characterization results.

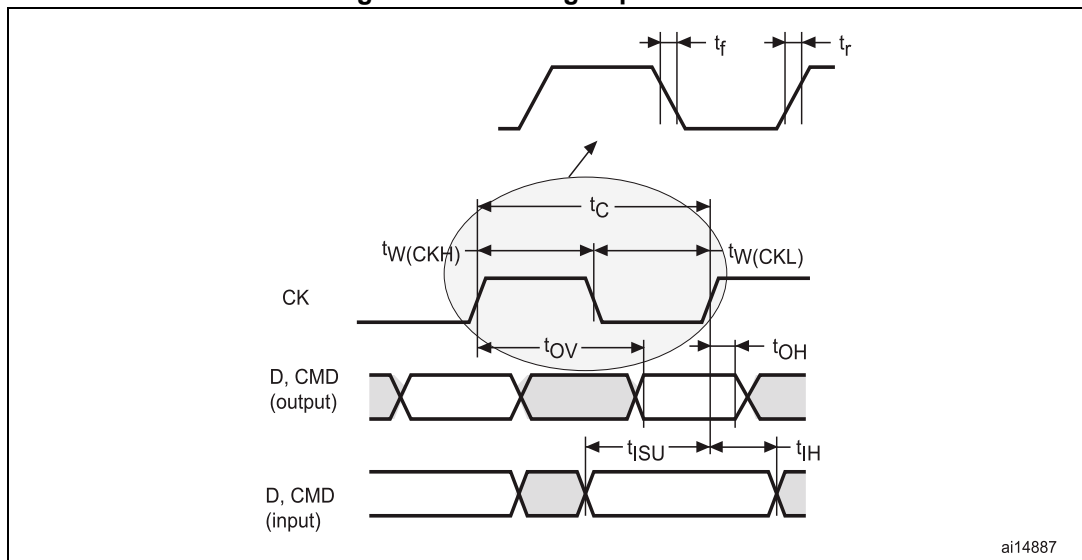
Table 89. eMMC dynamic characteristics, $V_{DD} = 1.71\text{ V to }1.9\text{ V}^{(1)(2)}$

| Symbol | Parameter | Conditions | Min | Typ | Max | Unit |
|---|---------------------------------------|--------------------------|-----|------|-----|------|
| f_{PP} | Clock frequency in data transfer mode | - | 0 | - | 50 | MHz |
| - | SDIO_CK/ f_{PCLK2} frequency ratio | - | - | - | 4/3 | - |
| $t_{W(CKL)}$ | Clock low time | $f_{PP} = 50\text{ MHz}$ | 8 | 10 | - | ns |
| $t_{W(CKH)}$ | Clock high time | $f_{PP} = 50\text{ MHz}$ | 8 | 10 | - | ns |
| CMD, D inputs (referenced to CK) in eMMC mode | | | | | | |
| t_{ISU} | Input setup time HS | $f_{PP} = 50\text{ MHz}$ | 0 | - | - | ns |
| t_{IH} | Input hold time HS | $f_{PP} = 50\text{ MHz}$ | 1.5 | - | - | ns |
| CMD, D outputs (referenced to CK) in eMMC mode | | | | | | |
| t_{OV} | Output valid time HS | $f_{PP} = 50\text{ MHz}$ | - | 13.5 | 15 | ns |
| t_{OH} | Output hold time HS | $f_{PP} = 50\text{ MHz}$ | 9 | - | - | ns |

1. Guaranteed by characterization results.

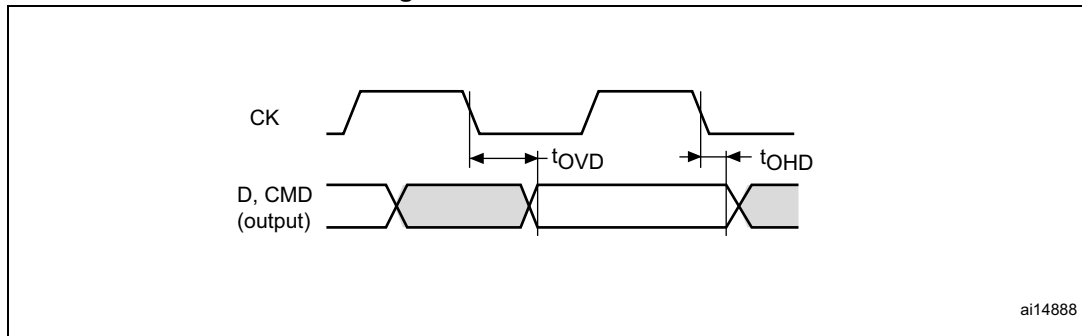
2. $C_{LOAD} = 20\text{ pF}$.

Figure 38. SDIO high-speed mode



ai14887

Figure 39. SD default mode



ai14888

USB characteristics

The STM32L462xx USB interface is fully compliant with the USB specification version 2.0 and is USB-IF certified (for Full-speed device operation).

Table 90. USB electrical characteristics⁽¹⁾

| Symbol | Parameter | Conditions | Min | Typ | Max | Unit |
|---------------------------------|--|----------------------|--------------------|------|------|------|
| V _{DDUSB} | USB transceiver operating voltage | | 3.0 ⁽²⁾ | - | 3.6 | V |
| T _{crystal_less} | USB crystal less operation temperature | | -15 | - | 85 | °C |
| R _{PUI} | Embedded USB_DP pull-up value during idle | | 900 | 1250 | 1600 | Ω |
| R _{PUR} | Embedded USB_DP pull-up value during reception | | 1400 | 2300 | 3200 | |
| Z _{DRV} ⁽³⁾ | Output driver impedance ⁽⁴⁾ | Driving high and low | 28 | 36 | 44 | Ω |

1. T_A = -40 to 125 °C unless otherwise specified.
2. The STM32L462xx USB functionality is ensured down to 2.7 V but not the full USB electrical characteristics which are degraded in the 2.7-to-3.0 V voltage range.
3. Guaranteed by design.
4. No external termination series resistors are required on USB_DP (D+) and USB_DM (D-); the matching impedance is already included in the embedded driver.

CAN (controller area network) interface

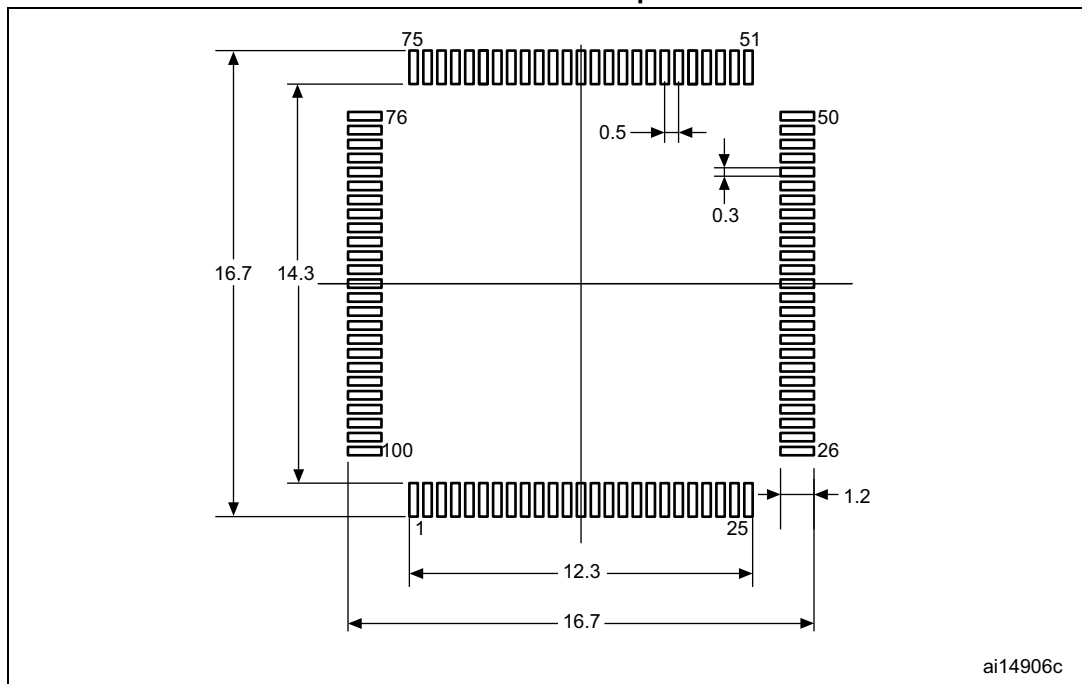
Refer to [Section 6.3.14: I/O port characteristics](#) for more details on the input/output alternate function characteristics (CAN_TX and CAN_RX).

Table 91. LQPF100 - 100-pin, 14 x 14 mm low-profile quad flat package mechanical data (continued)

| Symbol | millimeters | | | inches ⁽¹⁾ | | |
|--------|-------------|--------|--------|-----------------------|--------|--------|
| | Min | Typ | Max | Min | Typ | Max |
| A2 | 1.350 | 1.400 | 1.450 | 0.0531 | 0.0551 | 0.0571 |
| b | 0.170 | 0.220 | 0.270 | 0.0067 | 0.0087 | 0.0106 |
| c | 0.090 | - | 0.200 | 0.0035 | - | 0.0079 |
| D | 15.800 | 16.000 | 16.200 | 0.6220 | 0.6299 | 0.6378 |
| D1 | 13.800 | 14.000 | 14.200 | 0.5433 | 0.5512 | 0.5591 |
| D3 | - | 12.000 | - | - | 0.4724 | - |
| E | 15.800 | 16.000 | 16.200 | 0.6220 | 0.6299 | 0.6378 |
| E1 | 13.800 | 14.000 | 14.200 | 0.5433 | 0.5512 | 0.5591 |
| E3 | - | 12.000 | - | - | 0.4724 | - |
| e | - | 0.500 | - | - | 0.0197 | - |
| L | 0.450 | 0.600 | 0.750 | 0.0177 | 0.0236 | 0.0295 |
| L1 | - | 1.000 | - | - | 0.0394 | - |
| k | 0.0° | 3.5° | 7.0° | 0.0° | 3.5° | 7.0° |
| ccc | - | - | 0.080 | - | - | 0.0031 |

1. Values in inches are converted from mm and rounded to 4 decimal digits.

Figure 41. LQFP100 - 100-pin, 14 x 14 mm low-profile quad flat recommended footprint



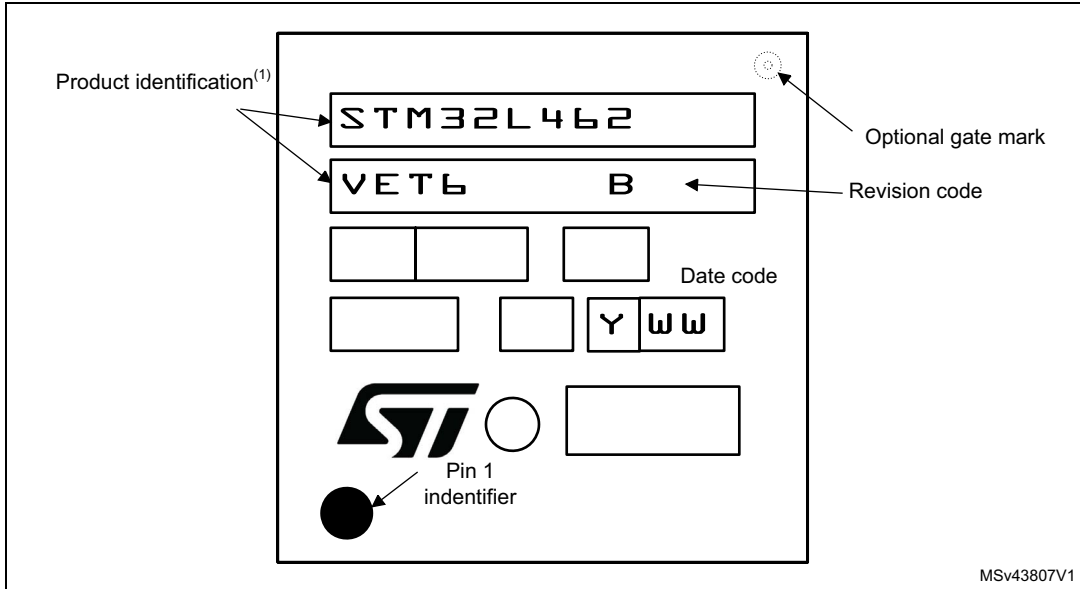
1. Dimensions are expressed in millimeters.

Device marking

The following figure gives an example of topside marking orientation versus pin 1 identifier location.

Other optional marking or inset/upset marks, which identify the parts throughout supply chain operations, are not indicated below.

Figure 42. LQFP100 marking (package top view)



1. Parts marked as ES or E or accompanied by an Engineering Sample notification letter are not yet qualified and therefore not approved for use in production. ST is not responsible for any consequences resulting from such use. In no event will ST be liable for the customer using any of these engineering samples in production. ST's Quality department must be contacted prior to any decision to use these engineering samples to run a qualification activity.

7.2 UFBGA100 package information

Figure 43. UFBGA100 - 100-ball, 7 x 7 mm, 0.50 mm pitch, ultra fine pitch ball grid array package outline



1. Drawing is not to scale.

Table 92. UFBGA100 - 100-ball, 7 x 7 mm, 0.50 mm pitch, ultra fine pitch ball grid array package mechanical data

| Symbol | millimeters | | | inches ⁽¹⁾ | | |
|--------|-------------|-------|-------|-----------------------|--------|--------|
| | Min. | Typ. | Max. | Min. | Typ. | Max. |
| A | - | - | 0.600 | - | - | 0.0236 |
| A1 | - | - | 0.110 | - | - | 0.0043 |
| A2 | - | 0.450 | - | - | 0.0177 | - |
| A3 | - | 0.130 | - | - | 0.0051 | 0.0094 |
| A4 | - | 0.320 | - | - | 0.0126 | - |
| b | 0.240 | 0.290 | 0.340 | 0.0094 | 0.0114 | 0.0134 |
| D | 6.850 | 7.000 | 7.150 | 0.2697 | 0.2756 | 0.2815 |
| D1 | - | 5.500 | - | - | 0.2165 | - |
| E | 6.850 | 7.000 | 7.150 | 0.2697 | 0.2756 | 0.2815 |
| E1 | - | 5.500 | - | - | 0.2165 | - |
| e | - | 0.500 | - | - | 0.0197 | - |
| Z | - | 0.750 | - | - | 0.0295 | - |

Table 92. UFBGA100 - 100-ball, 7 x 7 mm, 0.50 mm pitch, ultra fine pitch ball grid array package mechanical data (continued)

| Symbol | millimeters | | | inches ⁽¹⁾ | | |
|--------|-------------|------|-------|-----------------------|------|--------|
| | Min. | Typ. | Max. | Min. | Typ. | Max. |
| ddd | - | - | 0.080 | - | - | 0.0031 |
| eee | - | - | 0.150 | - | - | 0.0059 |
| fff | - | - | 0.050 | - | - | 0.0020 |

1. Values in inches are converted from mm and rounded to 4 decimal digits.

Figure 44. UFBGA100 - 100-ball, 7 x 7 mm, 0.50 mm pitch, ultra fine pitch ball grid array package recommended footprint

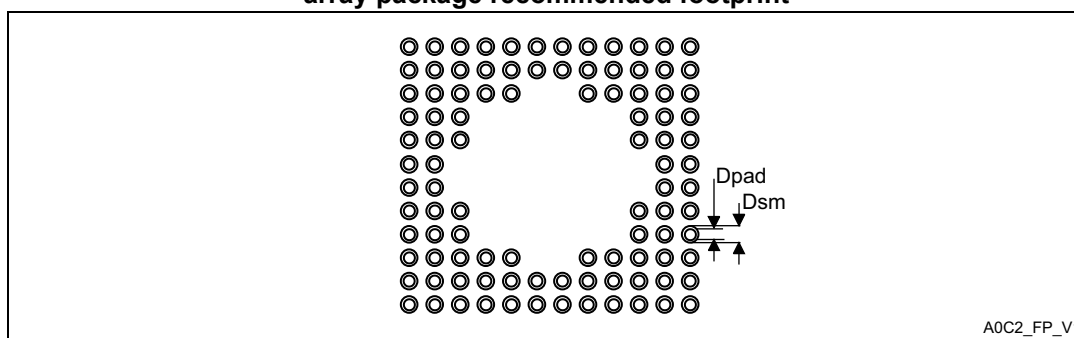


Table 93. UFBGA100 recommended PCB design rules (0.5 mm pitch BGA)

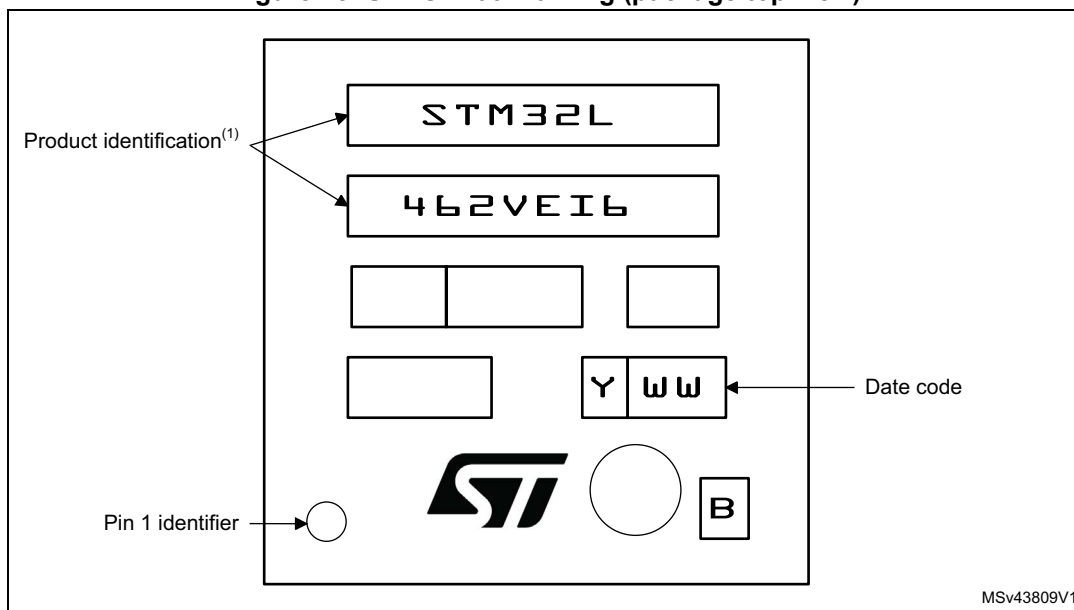
| Dimension | Recommended values |
|-------------------|---|
| Pitch | 0.5 |
| Dpad | 0.280 mm |
| Dsm | 0.370 mm typ. (depends on the solder mask registration tolerance) |
| Stencil opening | 0.280 mm |
| Stencil thickness | Between 0.100 mm and 0.125 mm |

Device marking

The following figure gives an example of topside marking orientation versus ball A1 identifier location.

Other optional marking or inset/upset marks, which identify the parts throughout supply chain operations, are not indicated below.

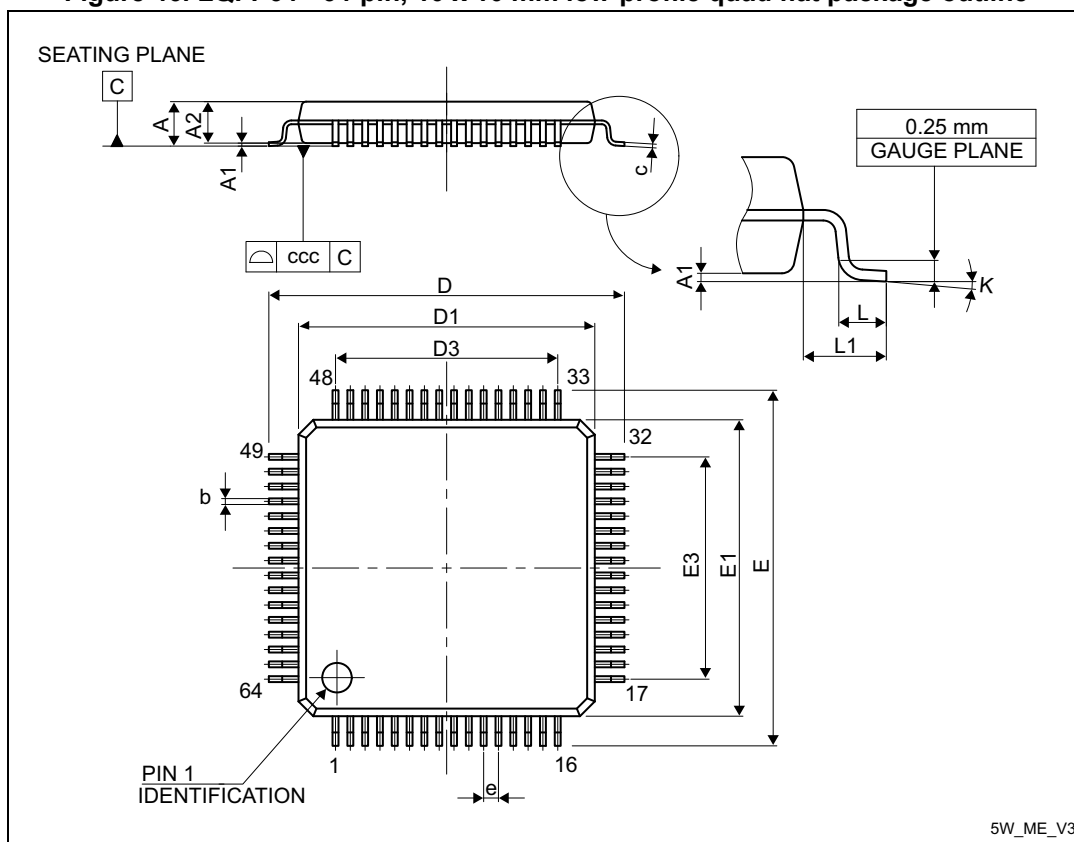
Figure 45. UFBGA100 marking (package top view)



1. Parts marked as ES or E or accompanied by an Engineering Sample notification letter are not yet qualified and therefore not approved for use in production. ST is not responsible for any consequences resulting from such use. In no event will ST be liable for the customer using any of these engineering samples in production. ST's Quality department must be contacted prior to any decision to use these engineering samples to run a qualification activity.

7.3 LQFP64 package information

Figure 46. LQFP64 - 64-pin, 10 x 10 mm low-profile quad flat package outline



1. Drawing is not to scale.

Table 94. LQFP64 - 64-pin, 10 x 10 mm low-profile quad flat package mechanical data

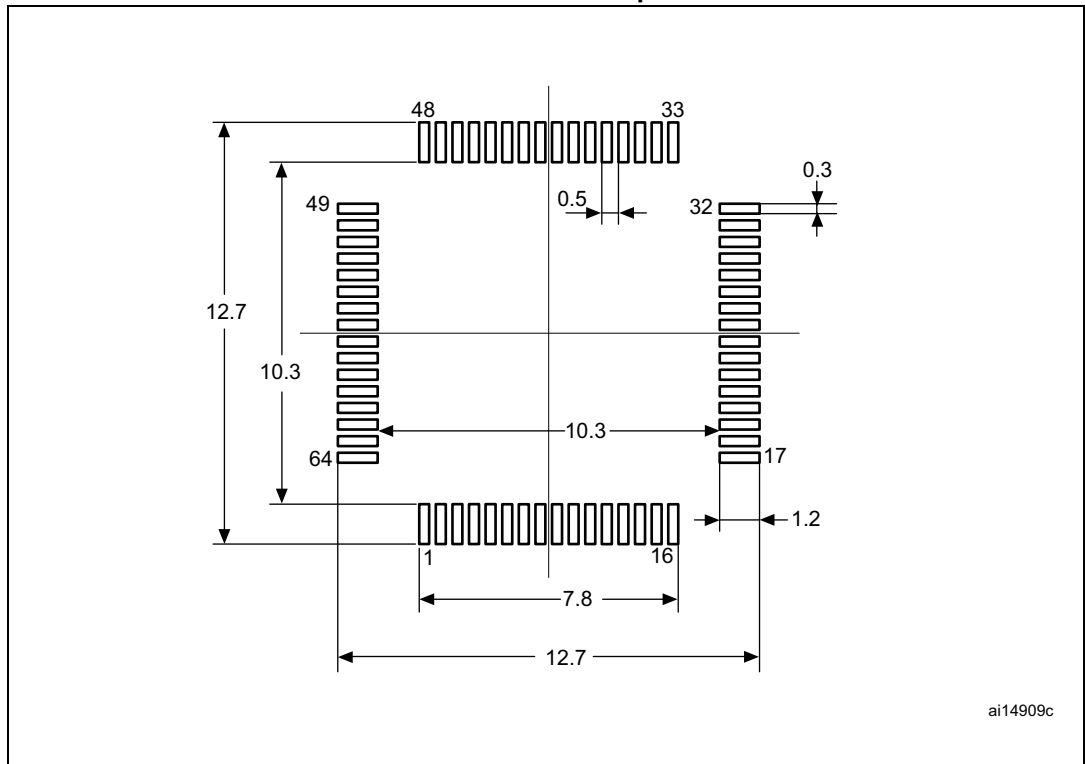
| Symbol | millimeters | | | inches ⁽¹⁾ | | |
|--------|-------------|--------|-------|-----------------------|--------|--------|
| | Min | Typ | Max | Min | Typ | Max |
| A | - | - | 1.600 | - | - | 0.0630 |
| A1 | 0.050 | - | 0.150 | 0.0020 | - | 0.0059 |
| A2 | 1.350 | 1.400 | 1.450 | 0.0531 | 0.0551 | 0.0571 |
| b | 0.170 | 0.220 | 0.270 | 0.0067 | 0.0087 | 0.0106 |
| c | 0.090 | - | 0.200 | 0.0035 | - | 0.0079 |
| D | - | 12.000 | - | - | 0.4724 | - |
| D1 | - | 10.000 | - | - | 0.3937 | - |
| D3 | - | 7.500 | - | - | 0.2953 | - |
| E | - | 12.000 | - | - | 0.4724 | - |
| E1 | - | 10.000 | - | - | 0.3937 | - |

Table 94. LQFP64 - 64-pin, 10 x 10 mm low-profile quad flat package mechanical data (continued)

| Symbol | millimeters | | | inches ⁽¹⁾ | | |
|--------|-------------|-------|-------|-----------------------|--------|--------|
| | Min | Typ | Max | Min | Typ | Max |
| E3 | - | 7.500 | - | - | 0.2953 | - |
| e | - | 0.500 | - | - | 0.0197 | - |
| K | 0° | 3.5° | 7° | 0° | 3.5° | 7° |
| L | 0.450 | 0.600 | 0.750 | 0.0177 | 0.0236 | 0.0295 |
| L1 | - | 1.000 | - | - | 0.0394 | - |
| ccc | - | - | 0.080 | - | - | 0.0031 |

1. Values in inches are converted from mm and rounded to 4 decimal digits.

Figure 47. LQFP64 - 64-pin, 10 x 10 mm low-profile quad flat package recommended footprint



1. Dimensions are expressed in millimeters.

Device marking

The following figure gives an example of topside marking orientation versus pin 1 identifier location.

Other optional marking or inset/upset marks, which identify the parts throughout supply chain operations, are not indicated below.

Table 95. UFBGA64 – 64-ball, 5 x 5 mm, 0.5 mm pitch ultra profile fine pitch ball grid array package mechanical data

| Symbol | millimeters | | | inches ⁽¹⁾ | | |
|--------|-------------|-------|-------|-----------------------|--------|--------|
| | Min | Typ | Max | Min | Typ | Max |
| A | 0.460 | 0.530 | 0.600 | 0.0181 | 0.0209 | 0.0236 |
| A1 | 0.050 | 0.080 | 0.110 | 0.0020 | 0.0031 | 0.0043 |
| A2 | 0.400 | 0.450 | 0.500 | 0.0157 | 0.0177 | 0.0197 |
| A3 | 0.080 | 0.130 | 0.180 | 0.0031 | 0.0051 | 0.0071 |
| A4 | 0.270 | 0.320 | 0.370 | 0.0106 | 0.0126 | 0.0146 |
| b | 0.170 | 0.280 | 0.330 | 0.0067 | 0.0110 | 0.0130 |
| D | 4.850 | 5.000 | 5.150 | 0.1909 | 0.1969 | 0.2028 |
| D1 | 3.450 | 3.500 | 3.550 | 0.1358 | 0.1378 | 0.1398 |
| E | 4.850 | 5.000 | 5.150 | 0.1909 | 0.1969 | 0.2028 |
| E1 | 3.450 | 3.500 | 3.550 | 0.1358 | 0.1378 | 0.1398 |
| e | - | 0.500 | - | - | 0.0197 | - |
| F | 0.700 | 0.750 | 0.800 | 0.0276 | 0.0295 | 0.0315 |
| ddd | - | - | 0.080 | - | - | 0.0031 |
| eee | - | - | 0.150 | - | - | 0.0059 |
| fff | - | - | 0.050 | - | - | 0.0020 |

1. Values in inches are converted from mm and rounded to 4 decimal digits.

Figure 50. UFBGA64 – 64-ball, 5 x 5 mm, 0.5 mm pitch ultra profile fine pitch ball grid array package recommended footprint

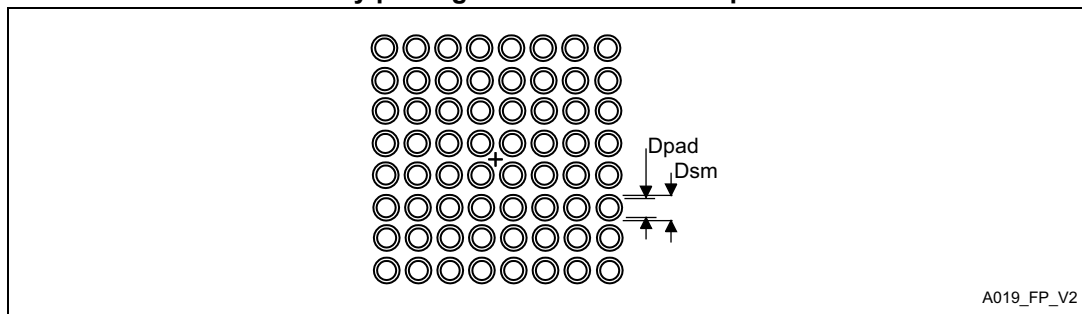


Table 96. UFBGA64 recommended PCB design rules (0.5 mm pitch BGA)

| Dimension | Recommended values |
|-----------------|--|
| Pitch | 0.5 |
| Dpad | 0.280 mm |
| Dsm | 0.370 mm typ. (depends on the soldermask registration tolerance) |
| Stencil opening | 0.280 mm |

Table 96. UFBGA64 recommended PCB design rules (0.5 mm pitch BGA) (continued)

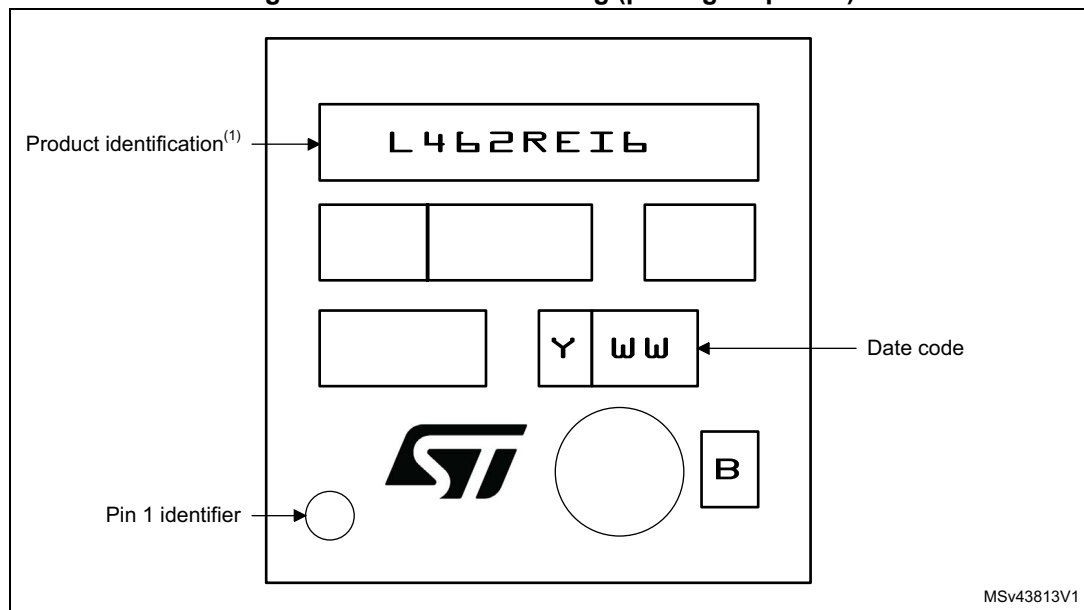
| Dimension | Recommended values |
|-------------------|-------------------------------|
| Stencil thickness | Between 0.100 mm and 0.125 mm |
| Pad trace width | 0.100 mm |

Device marking

The following figure gives an example of topside marking orientation versus ball A1 identifier location.

Other optional marking or inset/upset marks, which identify the parts throughout supply chain operations, are not indicated below.

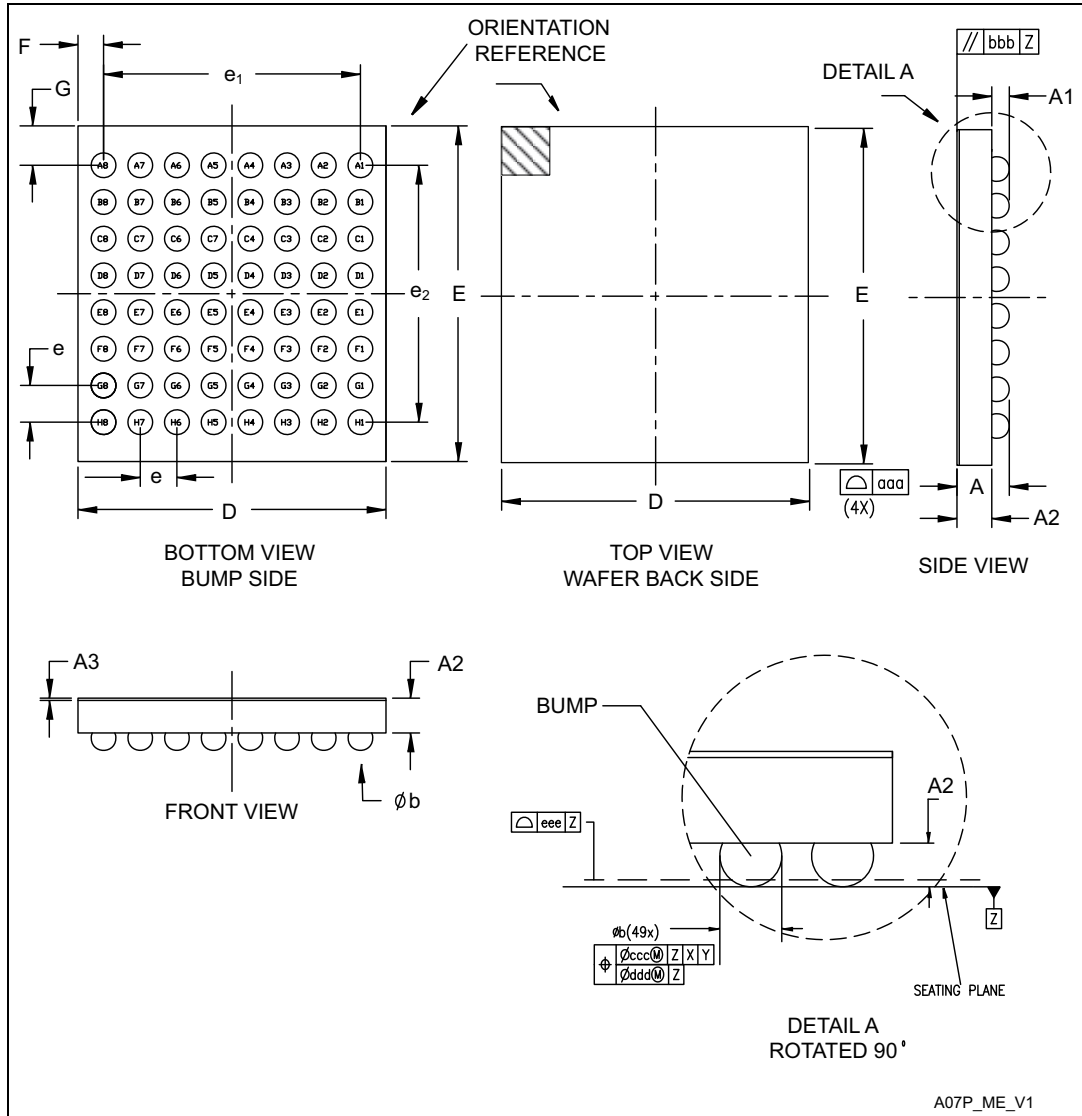
Figure 51. UFBGA64 marking (package top view)



1. Parts marked as ES or E or accompanied by an Engineering Sample notification letter are not yet qualified and therefore not approved for use in production. ST is not responsible for any consequences resulting from such use. In no event will ST be liable for the customer using any of these engineering samples in production. ST's Quality department must be contacted prior to any decision to use these engineering samples to run a qualification activity.

7.5 WLCSP64 package information

Figure 52. WLCSP64 - 64-ball, 3.357x3.657 mm 0.4 mm pitch wafer level chip scale package outline



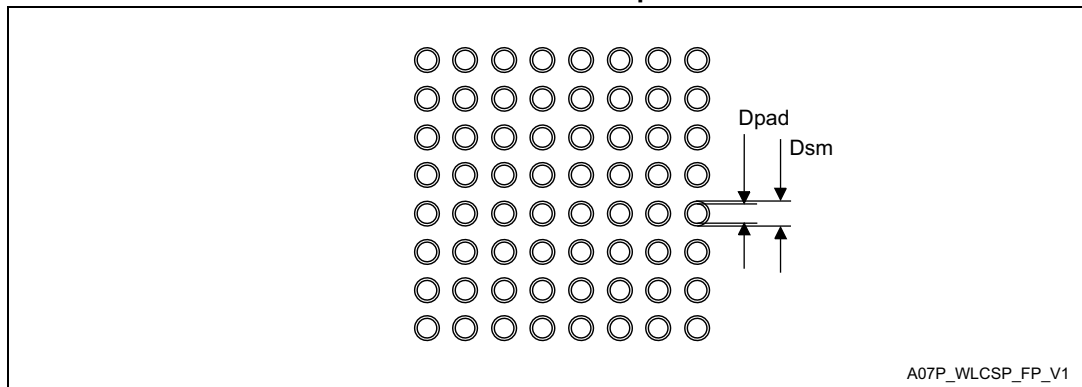
1. Dimensions are expressed in millimeters.

Table 97. WLCSP64 - 64-ball, 3.357x3.657 mm 0.4 mm pitch wafer level chip scale mechanical data

| Symbol | millimeters | | | inches ⁽¹⁾ | | |
|--------|-------------|-------|-------|-----------------------|--------|--------|
| | Min | Typ | Max | Min | Typ | Max |
| A | 0.525 | 0.555 | 0.585 | 0.0207 | 0.0219 | 0.0230 |
| A1 | - | 0.175 | - | - | 0.0069 | - |
| A2 | - | 0.380 | - | - | 0.0150 | - |
| A3 | - | 0.025 | - | - | 0.0010 | - |
| b | 0.220 | 0.250 | 0.280 | 0.0087 | 0.0098 | 0.0110 |
| D | 3.322 | 3.357 | 3.392 | 0.1308 | 0.1322 | 0.1335 |
| E | 3.622 | 3.657 | 3.692 | 0.1426 | 0.1440 | 0.1454 |
| e | - | 0.400 | - | - | 0.0157 | - |
| e1 | - | 2.800 | - | - | 0.1102 | - |
| e2 | - | 2.800 | - | - | 0.1102 | - |
| F | - | 0.278 | - | - | 0.0109 | - |
| G | - | 0.428 | - | - | 0.0169 | - |
| aaa | - | - | 0.100 | - | - | 0.0039 |
| bbb | - | - | 0.100 | - | - | 0.0039 |
| ccc | - | - | 0.100 | - | - | 0.0039 |
| ddd | - | - | 0.050 | - | - | 0.0020 |
| eee | - | - | 0.050 | - | - | 0.0020 |

1. Values in inches are converted from mm and rounded to 4 decimal digits.

Figure 53. WLCSP64 - 64-pin, 3.357x3.657 mm 0.4 mm pitch wafer level chip scale recommended footprint



1. Dimensions are expressed in millimeters.

Table 98. WLCSP64 recommended PCB design rules (0.4 mm pitch)

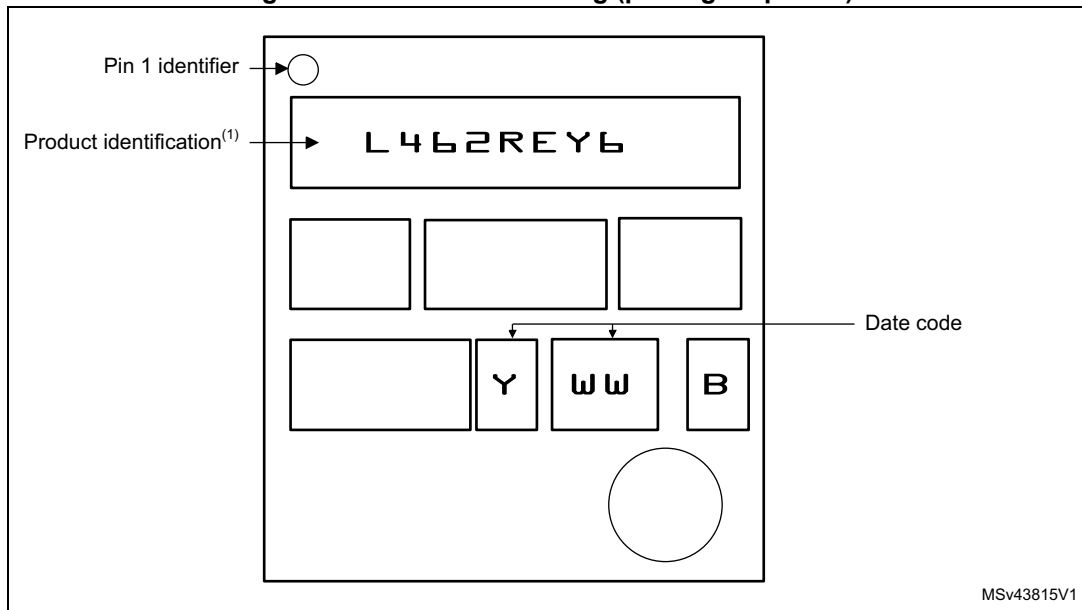
| Dimension | Recommended values |
|-------------------|--|
| Pitch | 0.4 mm |
| Dpad | 0.225 mm |
| Dsm | 0.290 mm typ. (depends on the soldermask registration tolerance) |
| Stencil opening | 0.250 mm |
| Stencil thickness | 0.100 mm |

Device marking

The following figure gives an example of topside marking orientation versus ball A1 identifier location.

Other optional marking or inset/upset marks, which identify the parts throughout supply chain operations, are not indicated below.

Figure 54. WLCSP64 marking (package top view)



1. Parts marked as ES or E or accompanied by an Engineering Sample notification letter are not yet qualified and therefore not approved for use in production. ST is not responsible for any consequences resulting from such use. In no event will ST be liable for the customer using any of these engineering samples in production. ST's Quality department must be contacted prior to any decision to use these engineering samples to run a qualification activity.

7.6 UFQFPN48 package information

Figure 55. UFQFPN48 - 48-lead, 7x7 mm, 0.5 mm pitch, ultra thin fine pitch quad flat package outline



1. Drawing is not to scale.
2. All leads/pads should also be soldered to the PCB to improve the lead/pad solder joint life.
3. There is an exposed die pad on the underside of the UFQFPN package. It is recommended to connect and solder this back-side pad to PCB ground.

Table 99. UFQFPN48 - 48-lead, 7x7 mm, 0.5 mm pitch, ultra thin fine pitch quad flat package mechanical data

| Symbol | millimeters | | | inches ⁽¹⁾ | | |
|--------|-------------|-------|-------|-----------------------|--------|--------|
| | Min | Typ | Max | Min | Typ | Max |
| A | 0.500 | 0.550 | 0.600 | 0.0197 | 0.0217 | 0.0236 |
| A1 | 0.000 | 0.020 | 0.050 | 0.0000 | 0.0008 | 0.0020 |
| D | 6.900 | 7.000 | 7.100 | 0.2717 | 0.2756 | 0.2795 |
| E | 6.900 | 7.000 | 7.100 | 0.2717 | 0.2756 | 0.2795 |
| D2 | 5.500 | 5.600 | 5.700 | 0.2165 | 0.2205 | 0.2244 |
| E2 | 5.500 | 5.600 | 5.700 | 0.2165 | 0.2205 | 0.2244 |
| L | 0.300 | 0.400 | 0.500 | 0.0118 | 0.0157 | 0.0197 |
| T | - | 0.152 | - | - | 0.0060 | - |
| b | 0.200 | 0.250 | 0.300 | 0.0079 | 0.0098 | 0.0118 |
| e | - | 0.500 | - | - | 0.0197 | - |
| ddd | - | - | 0.080 | - | - | 0.0031 |

1. Values in inches are converted from mm and rounded to 4 decimal digits.

Figure 56. UFQFPN48 - 48-lead, 7x7 mm, 0.5 mm pitch, ultra thin fine pitch quad flat package recommended footprint



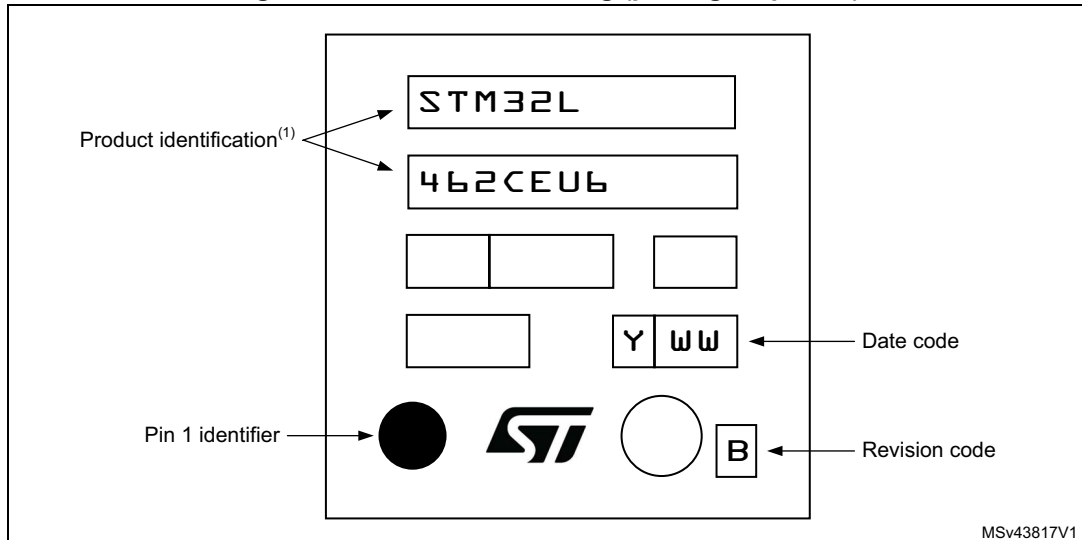
1. Dimensions are expressed in millimeters.

Device marking

The following figure gives an example of topside marking orientation versus pin 1 identifier location.

Other optional marking or inset/upset marks, which identify the parts throughout supply chain operations, are not indicated below.

Figure 57. UFQFPN48 marking (package top view)



1. Parts marked as ES or E or accompanied by an Engineering Sample notification letter are not yet qualified and therefore not approved for use in production. ST is not responsible for any consequences resulting from such use. In no event will ST be liable for the customer using any of these engineering samples in production. ST's Quality department must be contacted prior to any decision to use these engineering samples to run a qualification activity.

7.7 Thermal characteristics

The maximum chip-junction temperature, $T_J \text{ max}$, in degrees Celsius, may be calculated using the following equation:

$$T_J \text{ max} = T_A \text{ max} + (P_D \text{ max} \times \Theta_{JA})$$

Where:

- $T_A \text{ max}$ is the maximum ambient temperature in °C,
- Θ_{JA} is the package junction-to-ambient thermal resistance, in °C/W,
- $P_D \text{ max}$ is the sum of $P_{INT \text{ max}}$ and $P_{I/O \text{ max}}$ ($P_D \text{ max} = P_{INT \text{ max}} + P_{I/O \text{ max}}$),
- $P_{INT \text{ max}}$ is the product of all I_{DDXX} and V_{DDXX} , expressed in Watts. This is the maximum chip internal power.

$P_{I/O \text{ max}}$ represents the maximum power dissipation on output pins where:

$$P_{I/O \text{ max}} = \sum (V_{OL} \times I_{OL}) + \sum ((V_{DDIOx} - V_{OH}) \times I_{OH}),$$

taking into account the actual V_{OL} / I_{OL} and V_{OH} / I_{OH} of the I/Os at low and high level in the application.

Table 100. Package thermal characteristics

| Symbol | Parameter | Value | Unit |
|---------------|--|-------|------|
| Θ_{JA} | Thermal resistance junction-ambient LQFP100 - 14 × 14 mm / 0.5 mm pitch | 56 | °C/W |
| | Thermal resistance junction-ambient UFBGA100 - 7 × 7 mm / 0.5 mm pitch | 75 | |
| | Thermal resistance junction-ambient LQFP64 - 10 × 10 mm / 0.5 mm pitch | 58 | |
| | Thermal resistance junction-ambient UFBGA64 - 5 × 5 mm / 0.5 mm pitch | 65 | |
| | Thermal resistance junction-ambient WLCSP64 3.141 × 3.127 / 0.35 mm pitch | 53 | |
| | Thermal resistance junction-ambient UFQFPN48 - 7 × 7 mm / 0.5 mm pitch | 29 | |

7.7.1 Reference document

JESD51-2 Integrated Circuits Thermal Test Method Environment Conditions - Natural Convection (Still Air). Available from www.jedec.org

7.7.2 Selecting the product temperature range

When ordering the microcontroller, the temperature range is specified in the ordering information scheme shown in [Section 8: Ordering information](#).

Each temperature range suffix corresponds to a specific guaranteed ambient temperature at maximum dissipation and, to a specific maximum junction temperature.

As applications do not commonly use the STM32L462xx at maximum dissipation, it is useful to calculate the exact power consumption and junction temperature to determine which temperature range will be best suited to the application.

The following examples show how to calculate the temperature range needed for a given application.

Example 1: High-performance application

Assuming the following application conditions:

Maximum ambient temperature $T_{Amax} = 75\text{ °C}$ (measured according to JESD51-2),
 $I_{DDmax} = 50\text{ mA}$, $V_{DD} = 3.5\text{ V}$, maximum 20 I/Os used at the same time in output at low level with $I_{OL} = 8\text{ mA}$, $V_{OL} = 0.4\text{ V}$ and maximum 8 I/Os used at the same time in output at low level with $I_{OL} = 20\text{ mA}$, $V_{OL} = 1.3\text{ V}$

$$P_{INTmax} = 50\text{ mA} \times 3.5\text{ V} = 175\text{ mW}$$

$$P_{IOmax} = 20 \times 8\text{ mA} \times 0.4\text{ V} + 8 \times 20\text{ mA} \times 1.3\text{ V} = 272\text{ mW}$$

This gives: $P_{INTmax} = 175\text{ mW}$ and $P_{IOmax} = 272\text{ mW}$:

$$P_{Dmax} = 175 + 272 = 447\text{ mW}$$

Using the values obtained in [Table 100](#) T_{Jmax} is calculated as follows:

– For LQFP64, 58 °C/W

$$T_{Jmax} = 75\text{ °C} + (58\text{ °C/W} \times 447\text{ mW}) = 75\text{ °C} + 25.926\text{ °C} = 100.926\text{ °C}$$

This is within the range of the suffix 6 version parts ($-40 < T_J < 105\text{ °C}$) see [Section 8: Ordering information](#).

In this case, parts must be ordered at least with the temperature range suffix 6 (see Part numbering).

Note: With this given P_{Dmax} we can find the T_{Amax} allowed for a given device temperature range (order code suffix 6 or 3).

$$\text{Suffix 6: } T_{Amax} = T_{Jmax} - (58\text{ °C/W} \times 447\text{ mW}) = 105 - 25.926 = 79.074\text{ °C}$$

$$\text{Suffix 3: } T_{Amax} = T_{Jmax} - (58\text{ °C/W} \times 447\text{ mW}) = 130 - 25.926 = 104.074\text{ °C}$$

Example 2: High-temperature application

Using the same rules, it is possible to address applications that run at high ambient temperatures with a low dissipation, as long as junction temperature T_J remains within the specified range.

Assuming the following application conditions:

Maximum ambient temperature $T_{Amax} = 100\text{ °C}$ (measured according to JESD51-2),
 $I_{DDmax} = 20\text{ mA}$, $V_{DD} = 3.5\text{ V}$, maximum 20 I/Os used at the same time in output at low level with $I_{OL} = 8\text{ mA}$, $V_{OL} = 0.4\text{ V}$

$$P_{INTmax} = 20\text{ mA} \times 3.5\text{ V} = 70\text{ mW}$$

$$P_{IOmax} = 20 \times 8\text{ mA} \times 0.4\text{ V} = 64\text{ mW}$$

This gives: $P_{INTmax} = 70\text{ mW}$ and $P_{IOmax} = 64\text{ mW}$:

$$P_{Dmax} = 70 + 64 = 134\text{ mW}$$

Thus: $P_{Dmax} = 134\text{ mW}$

Using the values obtained in [Table 100](#) T_{Jmax} is calculated as follows:

– For LQFP64, 58 °C/W

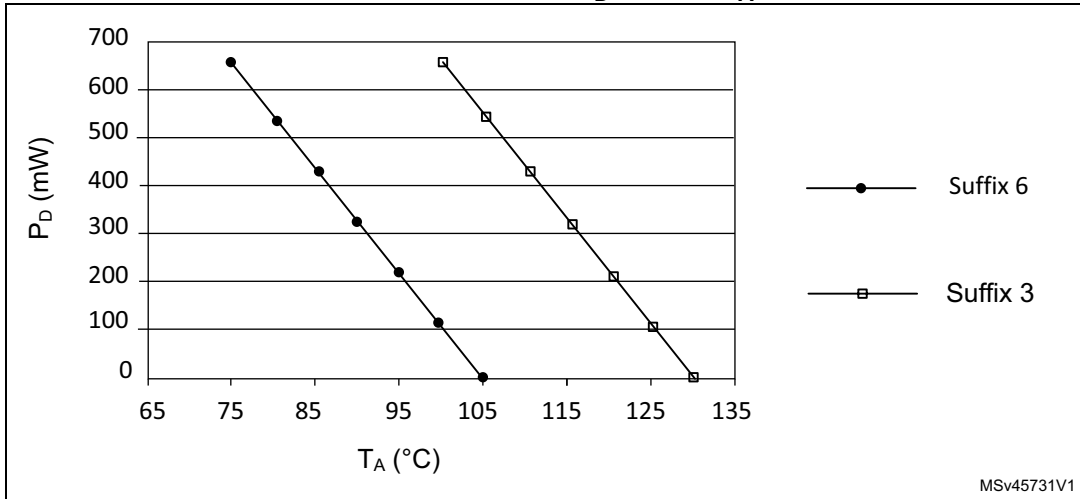
$$T_{Jmax} = 100\text{ °C} + (58\text{ °C/W} \times 134\text{ mW}) = 100\text{ °C} + 7.772\text{ °C} = 107.772\text{ °C}$$

This is above the range of the suffix 6 version parts ($-40 < T_J < 105\text{ °C}$).

In this case, parts must be ordered at least with the temperature range suffix 3 (see [Section 8: Ordering information](#)) unless we reduce the power dissipation in order to be able to use suffix 6 parts.

Refer to [Figure 58](#) to select the required temperature range (suffix 6 or 3) according to your ambient temperature or power requirements.

Figure 58. LQFP64 P_D max vs. T_A



8 Ordering information

Table 101. STM32L462xx ordering information scheme

| Example: | STM32 | L | 462 | C | E | T | 6 | TR |
|---|-------|---|-----|---|---|---|---|----|
| Device family STM32 = Arm [®] based 32-bit microcontroller | | | | | | | | |
| Product type L = ultra-low-power | | | | | | | | |
| Device subfamily 462: STM32L462xx | | | | | | | | |
| Pin count C = 48 pins R = 64 pins V = 100 pins | | | | | | | | |
| Flash memory size E = 512 KB of Flash memory | | | | | | | | |
| Package T = LQFP ECOPACK [®] 2 U = QFN ECOPACK [®] 2 I = UFBGA ECOPACK [®] 2 Y = CSP ECOPACK [®] 2 | | | | | | | | |
| Temperature range 6 = Industrial temperature range, -40 to 85 °C (105 °C junction) 3 = Industrial temperature range, -40 to 125 °C (130 °C junction) | | | | | | | | |
| Packing TR = tape and reel xxx = programmed parts | | | | | | | | |

For a list of available options (speed, package, etc.) or for further information on any aspect of this device, please contact your nearest ST sales office.

9 Revision history

Table 102. Document revision history

| Date | Revision | Changes |
|-------------|----------|--|
| 21-Apr-2017 | 1 | Initial release. |
| 05-May-2017 | 2 | Updated some power consumptions on cover page. Added Table 4: Functionalities depending on the working mode . Updated Table 34: Current consumption in Stop 2 mode . Updated Table 35: Current consumption in Stop 1 mode . Updated Table 37: Current consumption in Standby mode . Updated Table 66: ADC characteristics . Updated note below Table 29: Typical connection diagram using the ADC . |
| 26-May-2017 | 3 | Added missing LPUART communication interface on cover page. Fixed OPAMP index in Table 3: STM32L462xx modes overview . Replaced RAM2 by SRAM2 in Section 3.9.3: Voltage regulator and Section 3.9.4: Low-power modes . Updated Section 3.7: Boot modes . Added Table 9: DFSDM1 implementation . Updated Table 60: I/O static characteristics . Updated Section 7.2: UFBGA100 package information . |
| 21-May-2018 | 4 | Updated DAC terminology in all the document for clarification: single DAC instance (= DAC1) with 2 output channels. Added ECOPACK2® information in Features . Updated LPUART bullet in Features . Updated Section 3.9.1: Power supply schemes . Added Figure 3: Power-up/down sequence . Added DFSDM1 in Table 5: STM32L462xx peripherals interconnect matrix . Updated Clock-out capability in Section 3.11: Clocks and startup . Updated Figure 4: Clock tree . Updated Section 3.14.1: Nested vectored interrupt controller (NVIC) . Removed a footnote in Table 15: STM32L462xx pin definitions . Updated Section 6.3.2: Operating conditions at power-up / power-down . Updated $A_{C_{coeff}}$ in Table 25: Embedded internal voltage reference . Updated Table 40: Peripheral current consumption . |

Table 102. Document revision history (continued)

| Date | Revision | Changes |
|-------------|------------------|---|
| 21-May-2018 | 4 (continued) | Added Section 6.3.16: Extended interrupt and event controller input (EXTI) characteristics . Updated Table 60: I/O static characteristics . Updated Table 72: DAC characteristics . |

IMPORTANT NOTICE – PLEASE READ CAREFULLY

STMicroelectronics NV and its subsidiaries ("ST") reserve the right to make changes, corrections, enhancements, modifications, and improvements to ST products and/or to this document at any time without notice. Purchasers should obtain the latest relevant information on ST products before placing orders. ST products are sold pursuant to ST's terms and conditions of sale in place at the time of order acknowledgement.

Purchasers are solely responsible for the choice, selection, and use of ST products and ST assumes no liability for application assistance or the design of Purchasers' products.

No license, express or implied, to any intellectual property right is granted by ST herein.

Resale of ST products with provisions different from the information set forth herein shall void any warranty granted by ST for such product.

ST and the ST logo are trademarks of ST. All other product or service names are the property of their respective owners.

Information in this document supersedes and replaces information previously supplied in any prior versions of this document.

© 2018 STMicroelectronics – All rights reserved

Компания «Океан Электроники» предлагает заключение долгосрочных отношений при поставках импортных электронных компонентов на взаимовыгодных условиях!

Наши преимущества:

- Поставка оригинальных импортных электронных компонентов напрямую с производств Америки, Европы и Азии, а так же с крупнейших складов мира;
- Широкая линейка поставок активных и пассивных импортных электронных компонентов (более 30 млн. наименований);
- Поставка сложных, дефицитных, либо снятых с производства позиций;
- Оперативные сроки поставки под заказ (от 5 рабочих дней);
- Экспресс доставка в любую точку России;
- Помощь Конструкторского Отдела и консультации квалифицированных инженеров;
- Техническая поддержка проекта, помощь в подборе аналогов, поставка прототипов;
- Поставка электронных компонентов под контролем ВП;
- Система менеджмента качества сертифицирована по Международному стандарту ISO 9001;
- При необходимости вся продукция военного и аэрокосмического назначения проходит испытания и сертификацию в лаборатории (по согласованию с заказчиком);
- Поставка специализированных компонентов военного и аэрокосмического уровня качества (Xilinx, Altera, Analog Devices, Intersil, Interpoint, Microsemi, Actel, Aeroflex, Peregrine, VPT, Syfer, Eurofarad, Texas Instruments, MS Kennedy, Miteq, Cobham, E2V, MA-COM, Hittite, Mini-Circuits, General Dynamics и др.);

Компания «Океан Электроники» является официальным дистрибьютором и эксклюзивным представителем в России одного из крупнейших производителей разъемов военного и аэрокосмического назначения «JONHON», а так же официальным дистрибьютором и эксклюзивным представителем в России производителя высокотехнологичных и надежных решений для передачи СВЧ сигналов «FORSTAR».



JONHON

«JONHON» (основан в 1970 г.)

Разъемы специального, военного и аэрокосмического назначения:

(Применяются в военной, авиационной, аэрокосмической, морской, железнодорожной, горно- и нефтедобывающей отраслях промышленности)

«FORSTAR» (основан в 1998 г.)

ВЧ соединители, коаксиальные кабели,
кабельные сборки и микроволновые компоненты:

(Применяются в телекоммуникациях гражданского и специального назначения, в средствах связи, РЛС, а так же военной, авиационной и аэрокосмической отраслях промышленности).



Телефон: 8 (812) 309-75-97 (многоканальный)

Факс: 8 (812) 320-03-32

Электронная почта: ocean@oceanchips.ru

Web: <http://oceanchips.ru/>

Адрес: 198099, г. Санкт-Петербург, ул. Калинина, д. 2, корп. 4, лит. А