



# 100k $\Omega$ Precision-Matched Resistor-Divider in SOT23

MAX5490

## General Description

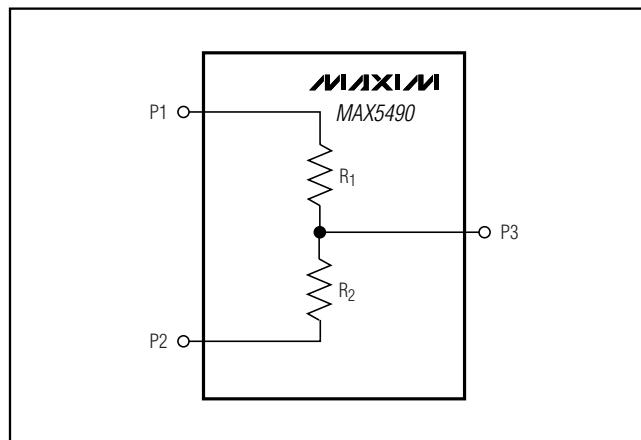
The MAX5490 precision resistor-divider consists of two accurately matched resistors with access to the ends and center of the divider. This device offers excellent resistance matching of 0.035% (A grade), 0.05% (B grade), and 0.1% (C grade). The MAX5490 provides an extremely low resistance-ratio temperature drift of 1ppm/ $^{\circ}$ C (typ) over  $-55^{\circ}$ C to  $+125^{\circ}$ C, and has an end-to-end resistance of 100k $\Omega$ . Resistance ratios from 1:1 to 100:1 are available. Five standard ratios are available (see Table 1), and custom ratios are also available upon request. The MAX5490 is ideal for precision gain-setting applications where tight resistance matching and low temperature drift are necessary.

The MAX5490 is available in a space-saving 3-pin SOT23 package, and is guaranteed over the military  $-55^{\circ}$ C to  $+125^{\circ}$ C temperature range.

## Applications

Industrial Process Control  
Instrumentation  
Precision Gain Setting  
Medical Equipment  
Automatic Test Equipment  
Base Stations

## Block Diagram



## Features

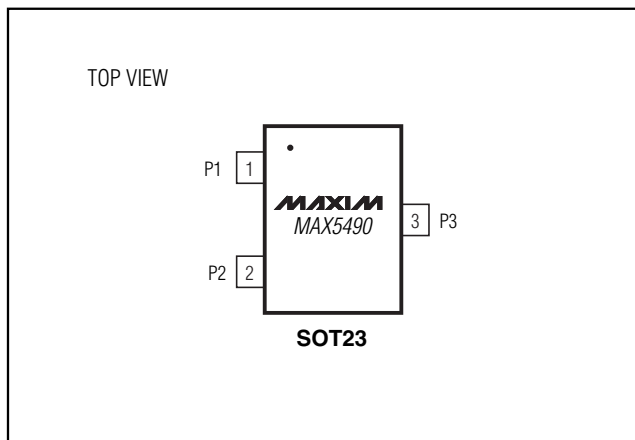
- ◆ Resistance Ratios from 1:1 to 100:1
- ◆ Custom Ratios Available Upon Request
- ◆ Tight Initial Ratio Accuracy
  - 0.035% (MAX5490A)
  - 0.05% (MAX5490B)
  - 0.1% (MAX5490C)
- ◆ Low 1ppm/ $^{\circ}$ C (typ) Resistor-Ratio-Drift
- ◆ Up to 80V Operating Voltage Across Sum of R1 and R2
- ◆ Tiny 3-Pin SOT23 Package

## Ordering Information\*

PART	TEMP RANGE	PIN-PACKAGE	RATIO ACCURACY (%)
MAX5490_A_-----T	$-55^{\circ}$ C to $+125^{\circ}$ C	3 SOT23-3	0.035
MAX5490_B_-----T	$-55^{\circ}$ C to $+125^{\circ}$ C	3 SOT23-3	0.05
MAX5490_C_-----T	$-55^{\circ}$ C to $+125^{\circ}$ C	3 SOT23-3	0.1

\*See the How to Order section for more details.

## Pin Configuration



# 100kΩ Precision-Matched Resistor-Divider in SOT23

## ABSOLUTE MAXIMUM RATINGS

Voltage Between P1 and P2.....	100V
Maximum Current into Any Pin .....	±1.00mA
Continuous Power Dissipation (T <sub>A</sub> = +70°C)	
3-Pin SOT23 (derate 7.1mW/°C above +70°C).....	571.4mW
3-Pin SOT23 (θ <sub>J-A</sub> ) .....	141°C/W

Operating Temperature Range .....	-55°C to +125°C
Junction Temperature.....	+150°C
Storage Temperature Range .....	-65°C to +150°C
Lead Temperature (soldering, 10s).....	+300°C

Stresses beyond those listed under "Absolute Maximum Ratings" may cause permanent damage to the device. These are stress ratings only, and functional operation of the device at these or any other conditions beyond those indicated in the operational sections of the specifications is not implied. Exposure to absolute maximum rating conditions for extended periods may affect device reliability.

## DC ELECTRICAL CHARACTERISTICS

(T<sub>A</sub> = -55°C to +125°C, unless otherwise noted. Typical values are at T<sub>A</sub> = +25°C.) (Note 1)

PARAMETER	SYMBOL	CONDITIONS	MIN	TYP	MAX	UNITS
Initial Resistor Ratio Error (Note 2)		MAX5490_A, T <sub>A</sub> = +25°C			±0.035	%
		MAX5490_B, T <sub>A</sub> = +25°C			±0.05	
		MAX5490_C, T <sub>A</sub> = +25°C			±0.1	
Resistance-Ratio Temperature Coefficient (Note 3)		1:1 ≤ ratio ≤ 10:1		1	2	ppm/°C
		10:1 ≤ ratio ≤ 25:1		2	4	
Absolute Temperature Coefficient of Resistance	TCR	(Note 4)		35		ppm/°C
Voltage Coefficient of Resistance	VCR	(Note 5)		0.1		ppm/V
End-to-End Resistance (R <sub>1</sub> + R <sub>2</sub> )		T <sub>A</sub> = +25°C	95	100	105	kΩ
Continuous Working Voltage Between P1 and P2	V <sub>P1-P2</sub>		-80		+80	V
Continuous Current		I <sub>R1</sub> , I <sub>R2</sub>			840	μA
P1, P2, P3 Capacitance				2		pF
Maximum Power Rating				67.2		mW
Resistance Ratio Long-Term Stability		2000 hours at +70°C		±0.03		%
-3dB Bandwidth	f <sub>3dB</sub>	1:1 ratio (Note 6)		3		MHz
Thermal Noise				45		μV <sub>RMS</sub>
Current Noise		In accordance with MIL-STD-2020 method 30B		-25		dB

**Note 1:** The MAX5490 is 100% production tested at T<sub>A</sub> = +25°C. Specifications over -55°C to +125°C are guaranteed by design and characterization.

**Note 2:** Testing conditions: T<sub>A</sub> = +25°C, V<sub>P1-P2</sub> = 10V and 80V.

**Note 3:** Resistance-ratio temperature coefficient is defined as  $\left| \frac{\Delta \left( \frac{R_1}{R_2} \right)}{\frac{R_1}{R_2} \times \Delta T} \right|$  and is guaranteed by design, not production tested. For ratios from 25:1 to 100:1, contact factory.

**Note 4:** Absolute TCR is defined as  $\left| \frac{\Delta(R_1 + R_2)}{(R_1 + R_2) \times \Delta T} \right|$  and is tested at 10V and 80V.

# 100kΩ Precision-Matched Resistor-Divider in SOT23

MAX5490

## DC ELECTRICAL CHARACTERISTICS (continued)

( $T_A = -55^\circ\text{C}$  to  $+125^\circ\text{C}$ , unless otherwise noted. Typical values are at  $T_A = +25^\circ\text{C}$ .) (Note 1)

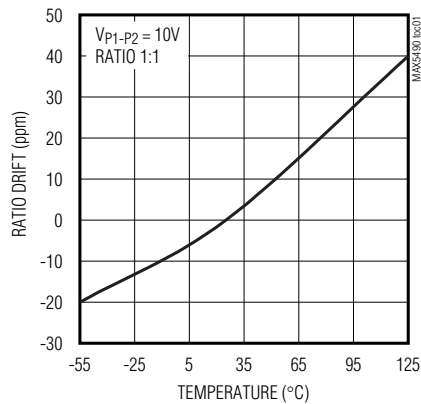
**Note 5:** Resistance-ratio voltage coefficient is defined as  $\left| \frac{\Delta \left( \frac{R_1}{R_2} \right)}{\frac{R_1}{R_2} \times \Delta V} \right|$  and is guaranteed by design, not production tested.

**Note 6:** Calculate bandwidth by using  $\frac{1}{2\pi RC}$ , where  $C = C_{P3}$  and  $R = \frac{R_1 \times R_2}{R_1 + R_2}$ .

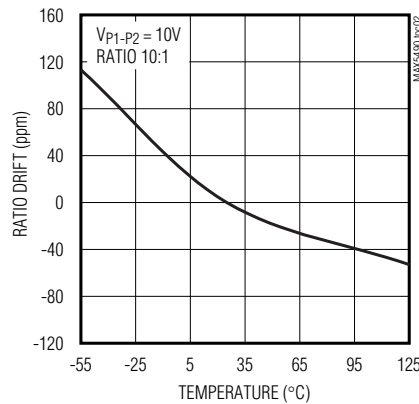
## Typical Operating Characteristics

( $V_{P1-P2} = 10\text{V}$ ,  $T_A = +25^\circ\text{C}$ , unless otherwise noted.)

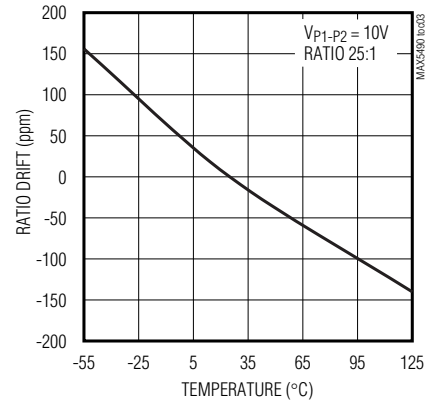
**NORMALIZED RESISTANCE-RATIO DRIFT vs. TEMPERATURE**



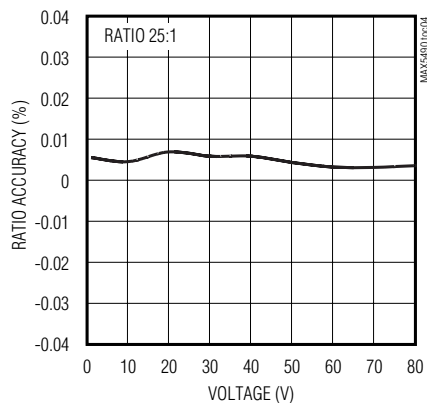
**NORMALIZED RESISTANCE-RATIO DRIFT vs. TEMPERATURE**



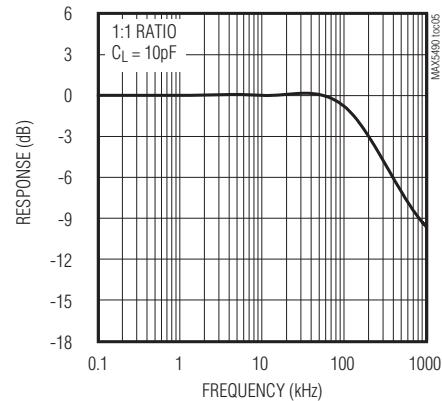
**NORMALIZED RESISTANCE-RATIO DRIFT vs. TEMPERATURE**



**RESISTANCE-RATIO ACCURACY vs. VOLTAGE**



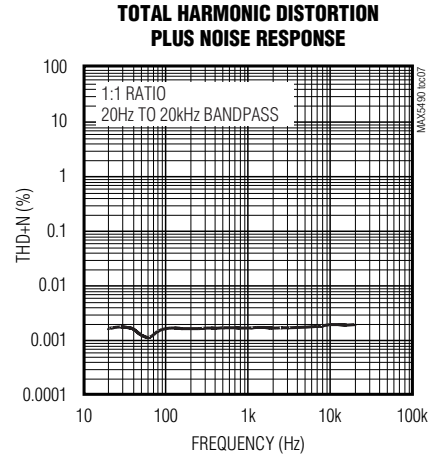
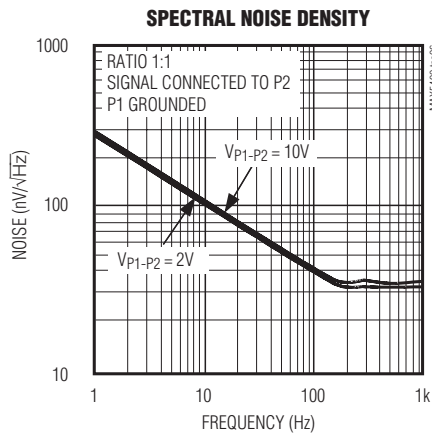
**FREQUENCY RESPONSE**



# 100k $\Omega$ Precision-Matched Resistor-Divider in SOT23

## Typical Operating Characteristics (continued)

( $V_{P1-P2} = 10V$ ,  $T_A = +25^\circ C$ , unless otherwise noted.)



## Pin Description

PIN	NAME	FUNCTION
1	P1	R <sub>1</sub> Connection Terminal
2	P2	R <sub>2</sub> Connection Terminal
3	P3	Set-Point Connection Terminal

## Detailed Description

As shown in the *Block Diagram*, the MAX5490 consists of two precision, low-ratio-drift resistors with an end-to-end resistance of 100k $\Omega$  ( $R_1 + R_2$ ). P3 is the set point of the divider. The maximum working voltage of the MAX5490 is 80V. This device offers a wide range of resistance ratios ( $R_1/R_2$ ) from 1:1 to 100:1 and is ideal for precision operational amplifier gain/attenuation control. A maximum initial ratio accuracy of 0.035% and a low 1ppm/ $^\circ C$  ratio drift enhance system accuracy.

## Applications Information

### Self-Heating and Error

Applying a voltage across terminals P1 and P2 causes the device to heat up due to power dissipation. In high-voltage applications, consider the error in resistance-ratio temperature coefficient caused by self-heating.

The worst-case self-heating occurs when the operating voltage attains its maximum value. Approximate the result of power dissipation under this condition as:

$$P_{DISS} = \frac{(V_{MAX})^2}{R} = \frac{(80V)^2}{100k\Omega} = 64mW$$

The thermal resistance from junction to ambient,  $\theta_{J-A}$ , for a 3-pin SOT23 package is 141 $^\circ C/W$ . Calculate the resulting temperature rise as:

$$\Delta T = 64mW \times 141^\circ C/W = 9.02^\circ C$$

If the ratio temperature coefficient is 1ppm/ $^\circ C$  (typ), the total error introduced by self-heating is:

$$9.02^\circ C \times 1ppm/^\circ C = 9.02ppm$$

# 100kΩ Precision-Matched Resistor-Divider in SOT23

## Typical Applications

MAX5490

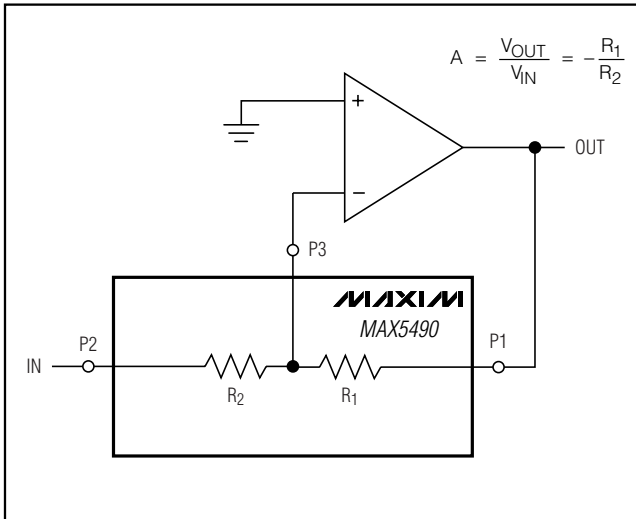


Figure 1. Inverting Amplifier Configuration

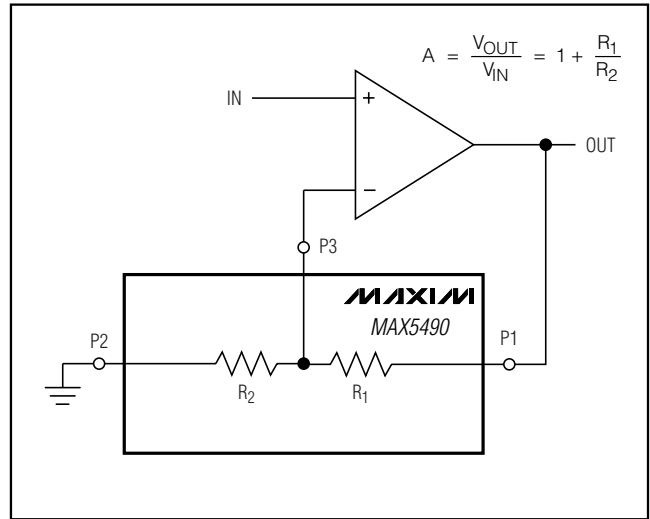


Figure 2. Noninverting Amplifier Configuration

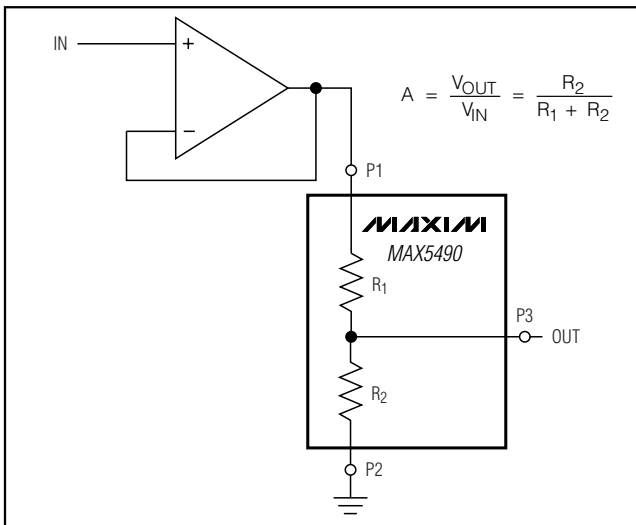


Figure 3. Buffered Attenuator

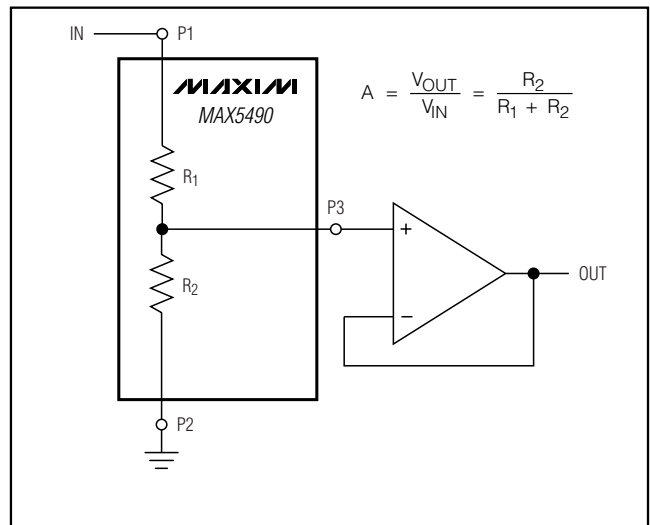
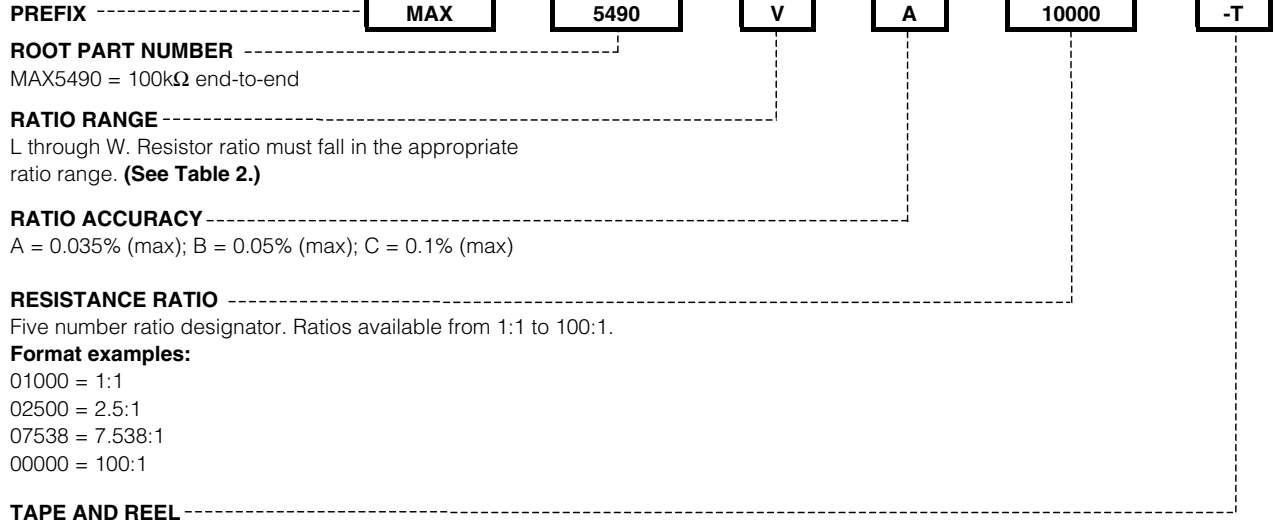


Figure 4. Attenuator with Buffer

# 100kΩ Precision-Matched Resistor-Divider in SOT23

## How to Order



## Example Part Numbers

PART NUMBER	RESISTOR-RATIO RANGE	RESISTOR-RATIO ACCURACY (% MAX)	RESISTOR RATIO
MAX5490PA02500-T	2.000 to 2.999	0.035	2.5:1
MAX5490RB03000-T	3.000 to 3.999	0.05	3:1
MAX5490UA07538-T	7.538 to 9.999	0.035	7.538:1
MAX5490VC10000-T	10.000 to 19.999	0.1	10:1

# 100k $\Omega$ Precision-Matched Resistor-Divider in SOT23

MAX5490

**Table 1. Standard Ratios\***

PART NUMBER	RESISTOR RATIO	RESISTOR-RATIO SUFFIX	RESISTOR-RATIO ACCURACY (% MAX)	TOP MARK
MAX5490GA01000-T	1:1	01000	0.035	FZQG
MAX5490GB01000-T	1:1	01000	0.05	FZQH
MAX5490GC01000-T	1:1	01000	0.1	FZQI
MAX5490MA02000-T	2:1	02000	0.035	FZRQ
MAX5490MB02000-T	2:1	02000	0.05	FZRR
MAX5490MC02000-T	2:1	02000	0.1	FZRS
MAX5490TA05000-T	5:1	05000	0.035	FZQJ
MAX5490TB05000-T	5:1	05000	0.05	FZQK
MAX5490TC05000-T	5:1	05000	0.1	FZQL
MAX5490VA10000-T	10:1	10000	0.035	FZQP
MAX5490VB10000-T	10:1	10000	0.05	FZQQ
MAX5490VC10000-T	10:1	10000	0.1	FZQR
MAX5490XA25000-T	25:1	25000	0.035	FZQV
MAX5490XB25000-T	25:1	25000	0.05	FZQW
MAX5490XC25000-T	25:1	25000	0.1	FZQX

\*Standard ratios are available for ordering in any quantity. Nonstandard ratios are also available for values between 1:1 to 100:1. A minimum order quantity of 10,000 units is required for nonstandard ratios. Please contact factory for more information.

**Table 2. Ratio Ranges**

LETTER SUFFIX	RESISTOR-RATIO RANGE
G	1.0 to 1.099
H	1.1 to 1.199
J	1.2 to 1.399
K	1.4 to 1.599
L	1.6 to 1.899
M	1.9 to 2.099
N	2.1 to 2.499
P	2.5 to 2.999
R	3.0 to 3.499
S	3.5 to 4.499
T	4.5 to 5.999
U	6.0 to 8.999
V	9.0 to 13.999
W	14.0 to 24.999
X	25.0 to 49.999
Y	50.0 to 74.999
Z	75.0 to 100.0

## Chip Information

TRANSISTOR COUNT: 0

PROCESS: BiCMOS

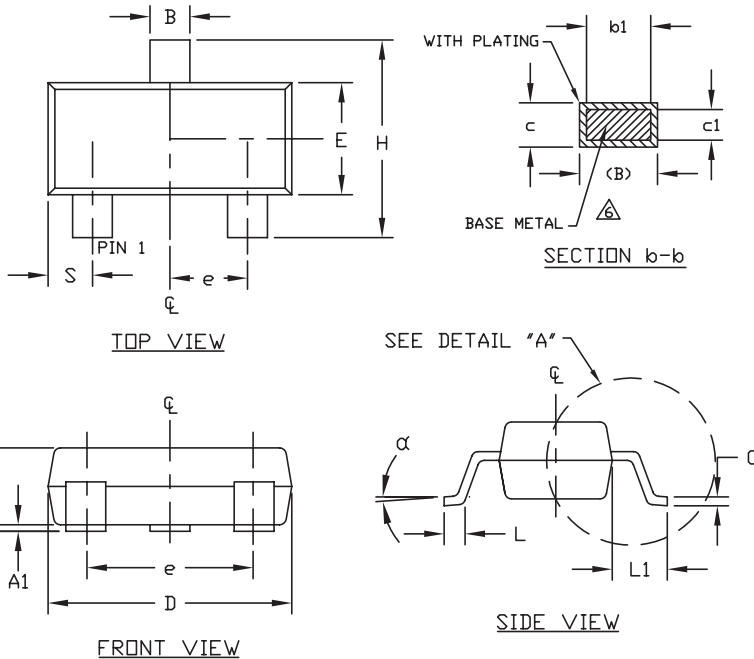
# 100kΩ Precision-Matched Resistor-Divider in SOT23

## Package Information

(The package drawing(s) in this data sheet may not reflect the most current specifications. For the latest package outline information, go to [www.maxim-ic.com/packages](http://www.maxim-ic.com/packages).)

**NOTES:**

1. D&E DO NOT INCLUDE MOLD FLASH.
  2. MOLD FLASH OR PROTRUSIONS NOT TO EXCEED .15mm (.006").
  3. CONTROLLING DIMENSION: MILLIMETERS.
  4. REFERENCE JEDEC TO236-VARIATION AB.
  5. LEADS TO BE COPLANAR WITHIN 0.10mm.
- △ DIMENSIONS MEASURED AT FLAT SECTION OF LEAD BETWEEN 0.08mm AND 0.15mm FROM LEAD TIP.



DIM	INCHES		MILLIMETERS	
	MIN	MAX	MIN	MAX
A	0.035	0.044	0.890	1.120
A1	0.001	0.004	0.013	0.100
B	0.015	0.020	0.370	0.500
b1	0.012	0.018	0.300	0.450
c	0.003	0.071	0.085	0.180
c1	0.003	0.071	0.080	0.160
D	0.110	0.120	2.800	3.040
E	0.047	0.055	1.200	1.400
e	0.037	BSC.	0.950	BSC.
e1	0.075	BSC.	1.900	BSC.
H	0.083	0.104	2.100	2.640
L	0.015	0.023	0.400	0.600
L1	0.021	REF	0.54	REF
S	0.018	0.024	0.45	0.60
α	0°	8°	0°	8°

SOT23 LEPS

**DALLAS SEMICONDUCTOR** **MAXIM**

PROPRIETARY INFORMATION

TITLE:  
PACKAGE OUTLINE, 3L SOT-23

APPROVAL	DOCUMENT CONTROL NO. 21-0051	REV. F	1/1
----------	---------------------------------	-----------	-----

Maxim cannot assume responsibility for use of any circuitry other than circuitry entirely embodied in a Maxim product. No circuit patent licenses are implied. Maxim reserves the right to change the circuitry and specifications without notice at any time.

8 **Maxim Integrated Products, 120 San Gabriel Drive, Sunnyvale, CA 94086 408-737-7600**



Компания «Океан Электроники» предлагает заключение долгосрочных отношений при поставках импортных электронных компонентов на взаимовыгодных условиях!

Наши преимущества:

- Поставка оригинальных импортных электронных компонентов напрямую с производств Америки, Европы и Азии, а так же с крупнейших складов мира;
- Широкая линейка поставок активных и пассивных импортных электронных компонентов (более 30 млн. наименований);
- Поставка сложных, дефицитных, либо снятых с производства позиций;
- Оперативные сроки поставки под заказ (от 5 рабочих дней);
- Экспресс доставка в любую точку России;
- Помощь Конструкторского Отдела и консультации квалифицированных инженеров;
- Техническая поддержка проекта, помощь в подборе аналогов, поставка прототипов;
- Поставка электронных компонентов под контролем ВП;
- Система менеджмента качества сертифицирована по Международному стандарту ISO 9001;
- При необходимости вся продукция военного и аэрокосмического назначения проходит испытания и сертификацию в лаборатории (по согласованию с заказчиком);
- Поставка специализированных компонентов военного и аэрокосмического уровня качества (Xilinx, Altera, Analog Devices, Intersil, Interpoint, Microsemi, Actel, Aeroflex, Peregrine, VPT, Syfer, Eurofarad, Texas Instruments, MS Kennedy, Miteq, Cobham, E2V, MA-COM, Hittite, Mini-Circuits, General Dynamics и др.);

Компания «Океан Электроники» является официальным дистрибьютором и эксклюзивным представителем в России одного из крупнейших производителей разъемов военного и аэрокосмического назначения «JONHON», а так же официальным дистрибьютором и эксклюзивным представителем в России производителя высокотехнологичных и надежных решений для передачи СВЧ сигналов «FORSTAR».



## JONHON

«JONHON» (основан в 1970 г.)

Разъемы специального, военного и аэрокосмического назначения:

(Применяются в военной, авиационной, аэрокосмической, морской, железнодорожной, горно- и нефтедобывающей отраслях промышленности)

«FORSTAR» (основан в 1998 г.)

ВЧ соединители, коаксиальные кабели, кабельные сборки и микроволновые компоненты:

(Применяются в телекоммуникациях гражданского и специального назначения, в средствах связи, РЛС, а так же военной, авиационной и аэрокосмической отраслях промышленности).



Телефон: 8 (812) 309-75-97 (многоканальный)

Факс: 8 (812) 320-03-32

Электронная почта: [ocean@oceanchips.ru](mailto:ocean@oceanchips.ru)

Web: <http://oceanchips.ru/>

Адрес: 198099, г. Санкт-Петербург, ул. Калинина, д. 2, корп. 4, лит. А