

3M™ LATCH/EJECT HEADER, 1552 SERIES  
2MM X 2MM STRAIGHT & RIGHT ANGLE, THROUGH-HOLE, STRAIGHT & SURFACE MOUNT



5 1552XX-X20X  
LATCH MATING FOR  
MOLDED-ON SOCKET  
WITH LATCHING EAR



5 1552XX-X30X  
LATCH MATING FOR  
PRESS-ON SOCKET



5 1552XX-X40X  
LATCH MATING FOR  
2MM SCI CARRIER

3 ELECTRICAL PERFORMANCE:

CURRENT RATING: 4.75A, 1 LINE POWERED  
2.00A, 6 ADJACENT LINES POWERED  
1.25A, ALL LINES POWERED

RATING CONDITIONS: EIA-364-070 METHOD 2, 30°C MAXIMUM TEMPERATURE  
RISE, 20% DERATED. REFERENCE APPROPRIATE 3M PRODUCT  
SPECIFICATION FOR DETAILED CURRENT DERATING CURVES.

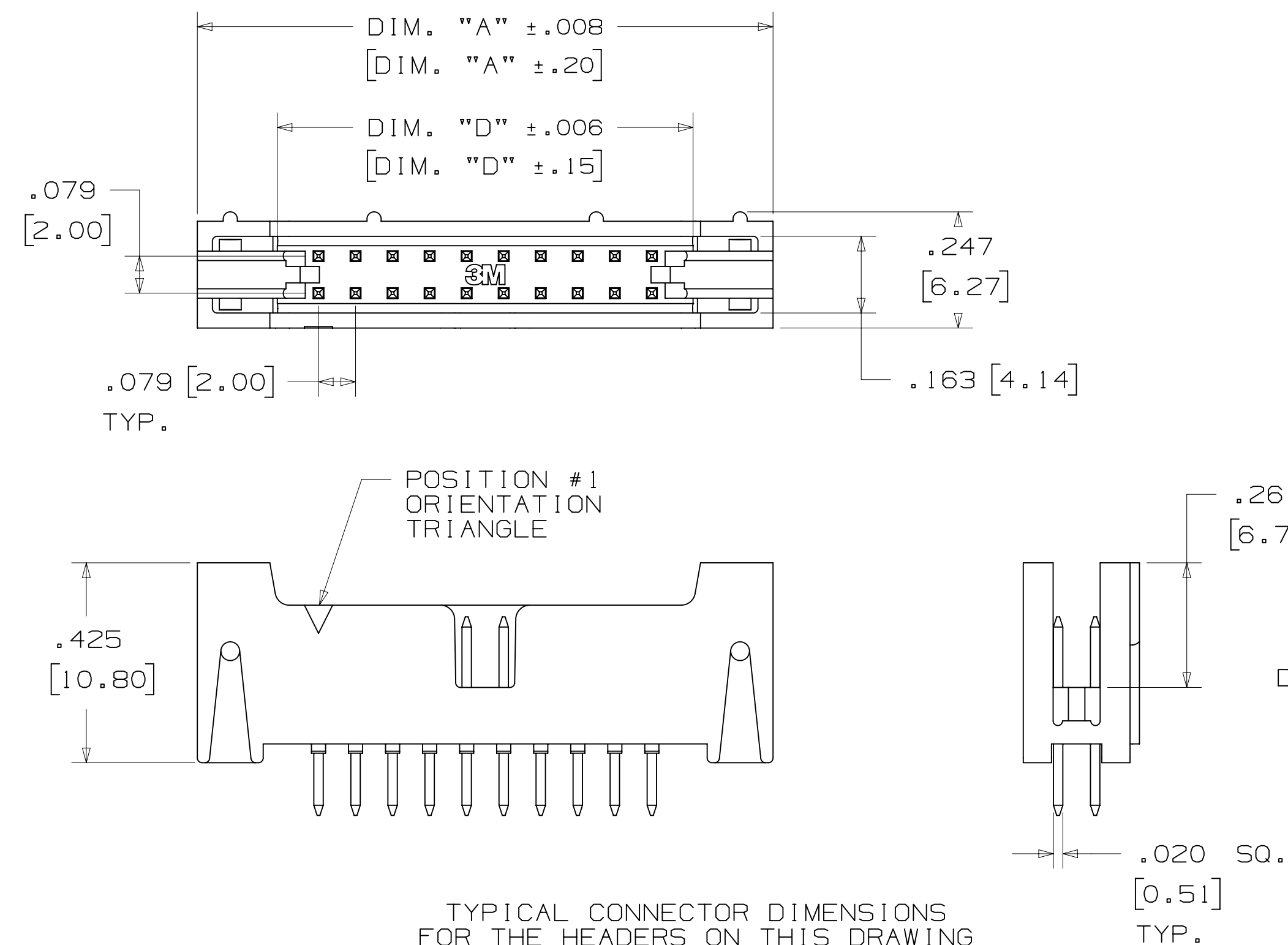
INSULATION RESISTANCE: > 1X10<sup>9</sup> OHMS AT 500 V<sub>DC</sub>  
WITHSTANDING VOLTAGE (1552XX): 1000 V<sub>RMS</sub> AT SEA LEVEL  
WITHSTANDING VOLTAGE (G1552XX): 750 V<sub>RMS</sub> AT SEA LEVEL

3 ENVIRONMENTAL:

TEMPERATURE RATING: -55°C TO +105°C  
PROCESS RATING: MAXIMUM 260°C (PER J-STD-020)  
MOISTURE SENSITIVITY LEVEL: 1 (PER J-STD-020)

- \* 14 PIN COUNTS RANGING FROM 06 TO 50 POSITIONS.
- \* LATCH/EJECT MECHANISM SECURELY LATCHES TO SOCKET.
- \* ROLL PINS RETAIN LATCHES TO BODY IN SHIPPING AND HIGH VIBRATION ENVIRONMENTS.
- \* EJECTOR HELPS MAKE UNMATING OF CABLE ASSEMBLIES EASIER.
- \* HIGH TEMPERATURE INSULATORS SUITABLE FOR LEAD FREE PROCESSING.
- \* ROBUST SYSTEM SOLUTION WHEN USED WITH 3M IDC WIREMOUNT SOCKETS OR 3M MOLDED CABLE ASSEMBLIES.
- \* SMT LATCH/EJECT HEADERS ARE AVAILABLE IN TAPE AND REEL WITH VACUUM CAP FOR AUTOMATIC PLACEMENT.

CONTACT QTY.	DIM. "A"	DIM. "B"	DIM. "D"	LATCH OPTION	TAPE WIDTH	ORDER CODE	CONTACT QTY.
06	.673 [17.09]	.157 [4.00]	.333 [8.45]	2, 4	44 MM	WD	06
08	.752 [19.10]	.236 [6.00]	.411 [10.44]	2, 4	44 MM	WD	08
10	.831 [21.10]	.315 [8.00]	.490 [12.45]	2, 3, 4	44 MM	WD	10
12	.910 [23.10]	.394 [10.00]	.569 [14.45]	3, 4	44 MM	WD	12
16	1.067 [27.10]	.551 [14.00]	.726 [18.44]	2, 4	56 MM	WE	16
20	1.224 [31.09]	.709 [18.00]	.884 [22.45]	2, 3, 4	56 MM	WE	20
22	1.303 [33.10]	.787 [20.00]	.963 [24.46]	2, 4	56 MM	WE	22
24	1.382 [35.10]	.866 [22.00]	1.041 [26.44]	2, 4	56 MM	WE	24
26	1.461 [37.10]	.945 [24.00]	1.120 [28.45]	2, 3, 4	72 MM	WF	26
30	1.618 [41.10]	1.102 [28.00]	1.278 [32.46]	2, 4	72 MM	WF	30
34	1.774 [45.09]	1.260 [32.00]	1.435 [36.46]	2, 4	72 MM	WF	34
40	2.012 [51.10]	1.496 [38.00]	1.671 [42.44]	2, 3, 4	72 MM	WF	40
44	2.169 [55.09]	1.654 [42.00]	1.829 [46.46]	2, 3, 4	88 MM	WG	44
50	2.405 [61.09]	1.980 [48.00]	2.065 [54.45]	2, 3, 4	88 MM	WG	50



TYPICAL CONNECTOR DIMENSIONS  
FOR THE HEADERS ON THIS DRAWING  
(EXCEPT AS NOTED)

DIMENSIONS: MM [ INCHES ]

- NOTES
1. MATERIAL:  
PLASTIC:  
GLASS FILLED POLYESTER (LCP)  
UL94V-0, BLACK  
CONTACT: COPPER ALLOY.
  2. PLATING:  
50μ NICKEL UNDERPLATING  
WIPE AREA: SEE ORDERING INFO.  
SOLDER TAIL: 200μ MATTE TIN.
  3. IN THE EVENT OF CONFLICT  
BETWEEN THIS DATA AND THAT  
CONTAINED IN THE PRODUCT  
SPECIFICATION, THE PRODUCT  
SPECIFICATION TAKES PRECEDENT.
  4. REGULATORY INFORMATION:  
VISIT 3M.com/regs OR CONTACT  
YOUR 3M REPRESENTATIVE TO FIND  
THE RoHS COMPLIANCE STATUS OF  
THE 3M PART YOU ARE INTERESTED  
IN.
  5. SEE TABLE 1 FOR LATCH  
AVAILABILITY.
  6. MATING COMPATIBILITY SERIES:  
1522, 870, 2M AND 2MM SCI  
CARRIER (93XX).
  7. SURFACE MOUNT VERSION:  
ORDER CODE APPLIES TO THE  
TAPE AND REEL WIDTH.

3M ELECTRONICS MATERIALS SOLUTIONS DIVISION  
INTERCONNECT SOLUTIONS  
<http://www.3mconnectors.com>

3M IS A TRADEMARK OF 3M COMPANY.  
FOR TECHNICAL, SALES OR ORDERING  
INFORMATION CALL 800-225-5373

DESIGN REFERENCE	NEXT ASSEMBLY	REV	ECO	ISSUE DATE AND DESCRIPTION	DRFT	CHKD
DIVISION	DIVISION CODE	DATE	DATE	DATE	DATE	DATE
	EMSD	JAN 21, 2015	JAN 21, 2015	JAN 21, 2015	JAN 21, 2015	JAN 21, 2015
DO NOT SCALE DRAWING	SCALE 4/1	TOLERANCES EXCEPT AS NOTED				
THIRD ANGLE PROJECTION		INCHES		© 3M COPYRIGHT 2017 This document and the information it contains are 3M property and may not be reproduced or further distributed without 3M permission, or used or disclosed other than for 3M authorized purposes. All rights reserved.		
INTERPRET PER ASME Y14.5 - 2009		MILLIMETERS		TITLE LATCH/EJECT HEADER, 2MM, STRAIGHT, RIGHT ANGLE & SMT		
MAX SURFACE ROUGHNESS		0		CAGE NUMBER D 78-5100-2199-7		
MARKED ONLY		.00 ± .20		DRAWING NO. 78-5100-2199-7		
		.000 ±		MODEL 1552		
		.000 ±		DET. [ ] YES [ ] NO SHT 1 OF 4		

78-5100-2199-7  
DRAWING NUMBER  
Imaged: L.6 Central Time 5/17/2017 UTC Offset

3M™ LATCH/EJECT HEADER, 1552 SERIES  
2MM X 2MM STRAIGHT & RIGHT ANGLE, THROUGH-HOLE, STRAIGHT & SURFACE MOUNT

STRAIGHT VERSION



ORDERING INFORMATION  
1552XX-6X0X-XX

CONTACT QUANTITY:  PLATING OPTIONS:  
 RB = 30µIN [.76µm] GOLD  
 RA = 10µIN [.25µm] GOLD  
 (RIA E1 & C1 APPLY) FOR BOTH PLATINGS

LATCHING OPTIONS:  
 2 = LATCH, MOLDED-ON SOCKET WITH LATCHING EARS, SERIES: 870, 2MM  
 3 = LATCH, PRESS-ON SOCKET, SERIES: 1522  
 4 = LATCH, 2MM SCI CARRIER ONLY, SERIES: 93XX

SOLDER TAIL LENGTH:  
 DIMENSION "E"  
 2 = .112 [2.84]  
 3 = .155 [3.94]

STRAIGHT VERSION WITH INTERSTITIAL GROUNDS



ORDERING INFORMATION  
G1552XX-6X0X-XX

CONTACT QUANTITY:  PLATING OPTIONS:  
 RB = 30µIN [.76µm] GOLD  
 RA = 10µIN [.25µm] GOLD  
 (RIA E1 & C1 APPLY) FOR BOTH PLATINGS

LATCHING OPTIONS:  
 4 = LATCH, 2MM SCI CARRIER ONLY, SERIES 93XX

SOLDER TAIL LENGTH:  
 DIMENSION "E"  
 2 = .112 [2.84]

DESIGN REFERENCE	NEXT ASSEMBLY	REV	ECO	ISSUE DATE AND DESCRIPTION	DRFT	CHKD
DATE	DATE	DATE	DATE	DATE	DATE	DATE
CHKD	DATE	APPV	DATE	DATE	DATE	DATE
DIVISION	DIVISION CODE	© 3M COPYR[IGHT] 2017 This document and the information it contains are 3M property and may not be reproduced or further distributed without 3M permission, or used or disclosed other than for 3M authorized purposes. All rights reserved.				
DO NOT SCALE DRAWING	SCALE 4/1	TOLERANCES EXCEPT AS NOTED	INCHES .0 ±.01 .000 ±.008 .0000 ±			
THIRD ANGLE PROJECTION	INTERPRET PER ASME Y14.5 - 2009	MILLIMETERS	0 ± .0 ±.3 .00 ±.20 .000 ±			
MAX SURFACE ROUGHNESS	DT SURFACES	MARKED ONLY	CAGE NUMBER	SIZE	DRAWING NO.	REV.
			D	78-5100-2199-7	L	
			MODEL	1552	DET	ISTS <input type="checkbox"/> YES <input checked="" type="checkbox"/> NO <input type="checkbox"/> SHT 2 OF 4

78-5100-2199-7  
DRAWING NUMBER  
Revision  
Standard Time5/17/2017UTC Offset



3M™ LATCH/EJECT HEADER, 1552 SERIES  
 2MM X 2MM STRAIGHT & RIGHT ANGLE, THROUGH-HOLE, STRAIGHT & SURFACE MOUNT

**Technical Information:** The technical information, recommendations and other statements contained in this document are based upon tests or experience that 3M believes are reliable, but the accuracy or completeness of such information is not guaranteed.

**Product Use:** Many factors beyond 3M's control and uniquely within user's knowledge and control can affect the use and performance of a 3M product in a particular application. Given the variety of factors that can affect the use and performance of a 3M product, user is solely responsible for evaluating the 3M product and determining whether it is fit for a particular purpose and suitable for user's method of application.

**Warranty, Limited Remedy, and Disclaimer:** Unless an additional warranty is specifically stated on the applicable 3M product packaging or product literature, 3M warrants that each 3M product meets the applicable 3M product specification at the time 3M ships the product. 3M MAKES NO OTHER WARRANTIES OR CONDITIONS, EXPRESS OR IMPLIED, INCLUDING, BUT NOT LIMITED TO, ANY IMPLIED WARRANTY OR CONDITION OF MERCHANTABILITY OR FITNESS FOR A PARTICULAR PURPOSE OR ANY IMPLIED WARRANTY OR CONDITION ARISING OUT OF A COURSE OF DEALING, CUSTOM OR USAGE OF TRADE. If the 3M product does not conform to this warranty, then the sole and exclusive remedy is, at 3M's option, replacement of the 3M product or refund of the purchase price.

**Limitation of Liability:** Except where prohibited by law, 3M will not be liable for any loss or damage arising from the 3M product, whether direct, indirect, special, incidental or consequential, regardless of the legal theory asserted, including warranty, contract, negligence or strict liability.

Unless otherwise noted, references to industry specifications are intended to indicate substantial compliance to the material elements of the specification. Such references should not be construed as a guarantee of compliance to all requirements in a given specification.

DESIGN REFERENCE	NEXT ASSEMBLY	REV	ECO	ISSUE DATE AND DESCRIPTION	DRFT	CHKD
				AUG 11, 2016	JNC	RS
				8-11-16 ADD SHT 4		
				REVISE TRADEMAKE NOTE		
				JUN 01, 2016		
				PRODUCTION RELEASE,		
				APR 29, 2016		
NAME	DATE	DATE	DATE	DATE	DATE	DATE
CASTIGLIONE	JAN 21, 2015	MFG				
CHKD	DATE	APPRV	DATE	DATE	DATE	DATE
		R. SCHERER	JAN 21, 2015			
DIVISION	DIVISION CODE	 3M Center St. Paul, MN 55144				© 3M COPYRIGHT 2017 This document and the information it contains are 3M property and may not be reproduced or further distributed without 3M permission, or used or disclosed other than for 3M authorized purposes. All rights reserved.
DO NOT SCALE DRAWING	SCALE 1/1	TOLERANCES EXCEPT AS NOTED		INCHES .0 ± .01 .000 ± .008 .0000 ±		TITLE LATCH/EJECT HEADER, 2MM, STRAIGHT, RIGHT ANGLE & SMT
THIRD ANGLE PROJECTION	INTERPRET PER ASME Y14.5 - 2009	MILLIMETERS		0 ± .0 ± .3 .00 ± .20 .000 ±		
MAX SURFACE ROUGHNESS	MARKED SURFACES	<input checked="" type="checkbox"/> MARKED ONLY	<input type="checkbox"/> ANGLES	CAGE NUMBER	SIZE	DRAWING NO.
				D		78-5100-2199-7
				MODEL		1552
				DET	<input type="checkbox"/> YES <input checked="" type="checkbox"/> NO	SHT 4 OF 4

78-5100-2199-7  
 DRAWING NUMBER  
 1552  
 Standard Time5/17/2017UTC Offset

Компания «Океан Электроники» предлагает заключение долгосрочных отношений при поставках импортных электронных компонентов на взаимовыгодных условиях!

Наши преимущества:

- Поставка оригинальных импортных электронных компонентов напрямую с производств Америки, Европы и Азии, а так же с крупнейших складов мира;
- Широкая линейка поставок активных и пассивных импортных электронных компонентов (более 30 млн. наименований);
- Поставка сложных, дефицитных, либо снятых с производства позиций;
- Оперативные сроки поставки под заказ (от 5 рабочих дней);
- Экспресс доставка в любую точку России;
- Помощь Конструкторского Отдела и консультации квалифицированных инженеров;
- Техническая поддержка проекта, помощь в подборе аналогов, поставка прототипов;
- Поставка электронных компонентов под контролем ВП;
- Система менеджмента качества сертифицирована по Международному стандарту ISO 9001;
- При необходимости вся продукция военного и аэрокосмического назначения проходит испытания и сертификацию в лаборатории (по согласованию с заказчиком);
- Поставка специализированных компонентов военного и аэрокосмического уровня качества (Xilinx, Altera, Analog Devices, Intersil, Interpoint, Microsemi, Actel, Aeroflex, Peregrine, VPT, Syfer, Eurofarad, Texas Instruments, MS Kennedy, Miteq, Cobham, E2V, MA-COM, Hittite, Mini-Circuits, General Dynamics и др.);

Компания «Океан Электроники» является официальным дистрибьютором и эксклюзивным представителем в России одного из крупнейших производителей разъемов военного и аэрокосмического назначения «JONHON», а так же официальным дистрибьютором и эксклюзивным представителем в России производителя высокотехнологичных и надежных решений для передачи СВЧ сигналов «FORSTAR».



## JONHON

«JONHON» (основан в 1970 г.)

Разъемы специального, военного и аэрокосмического назначения:

(Применяются в военной, авиационной, аэрокосмической, морской, железнодорожной, горно- и нефтедобывающей отраслях промышленности)

«FORSTAR» (основан в 1998 г.)

ВЧ соединители, коаксиальные кабели, кабельные сборки и микроволновые компоненты:

(Применяются в телекоммуникациях гражданского и специального назначения, в средствах связи, РЛС, а так же военной, авиационной и аэрокосмической отраслях промышленности).



Телефон: 8 (812) 309-75-97 (многоканальный)

Факс: 8 (812) 320-03-32

Электронная почта: [ocean@oceanchips.ru](mailto:ocean@oceanchips.ru)

Web: <http://oceanchips.ru/>

Адрес: 198099, г. Санкт-Петербург, ул. Калинина, д. 2, корп. 4, лит. А