

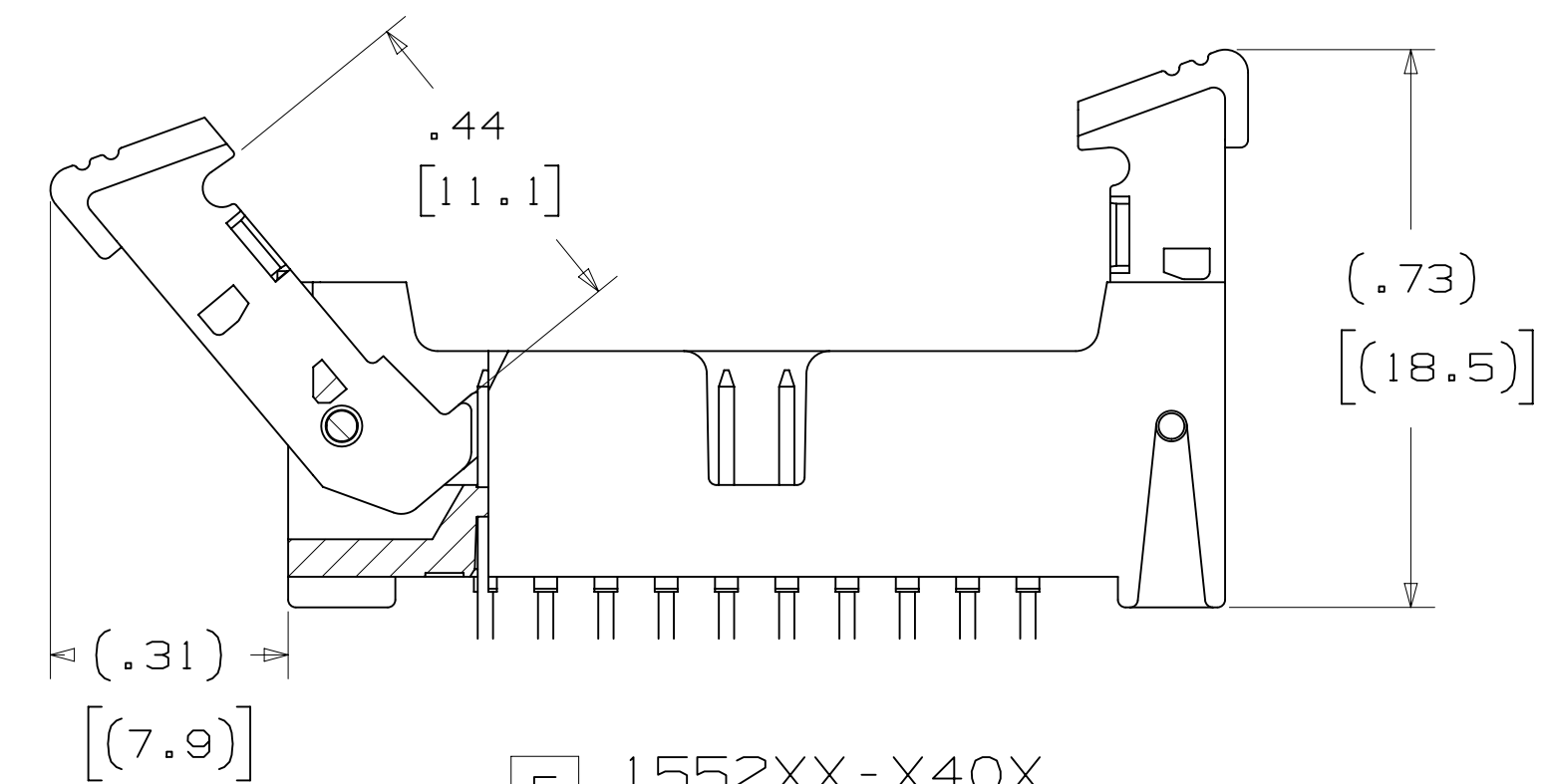
3M™ LATCH/EJECT HEADER, 1552 SERIES
 2MM X 2MM STRAIGHT & RIGHT ANGLE, THROUGH-HOLE, STRAIGHT & SURFACE MOUNT



5 1552XX-X20X
 LATCH MATING FOR
 MOLDED-ON SOCKET
 WITH LATCHING EAR



5 1552XX-X30X
 LATCH MATING FOR
 PRESS-ON SOCKET



5 1552XX-X40X
 LATCH MATING FOR
 2MM SCI CARRIER

- * 14 PIN COUNTS RANGING FROM 06 TO 50 POSITIONS.
- * LATCH/EJECT MECHANISM SECURELY LATCHES TO SOCKET.
- * ROLL PINS RETAIN LATCHES TO BODY IN SHIPPING AND HIGH VIBRATION ENVIRONMENTS.
- * EJECTOR HELPS MAKE UNMATING OF CABLE ASSEMBLIES EASIER.
- * HIGH TEMPERATURE INSULATORS SUITABLE FOR LEAD FREE PROCESSING.
- * ROBUST SYSTEM SOLUTION WHEN USED WITH 3M IDC WIREMOUNT SOCKETS OR 3M MOLDED CABLE ASSEMBLIES.
- * SMT LATCH/EJECT HEADERS ARE AVAILABLE IN TAPE AND REEL WITH VACUUM CAP FOR AUTOMATIC PLACEMENT.

3 ELECTRICAL PERFORMANCE:

CURRENT RATING: 4.75A, 1 LINE POWERED
 2.00A, 6 ADJACENT LINES POWERED
 1.25A, ALL LINES POWERED

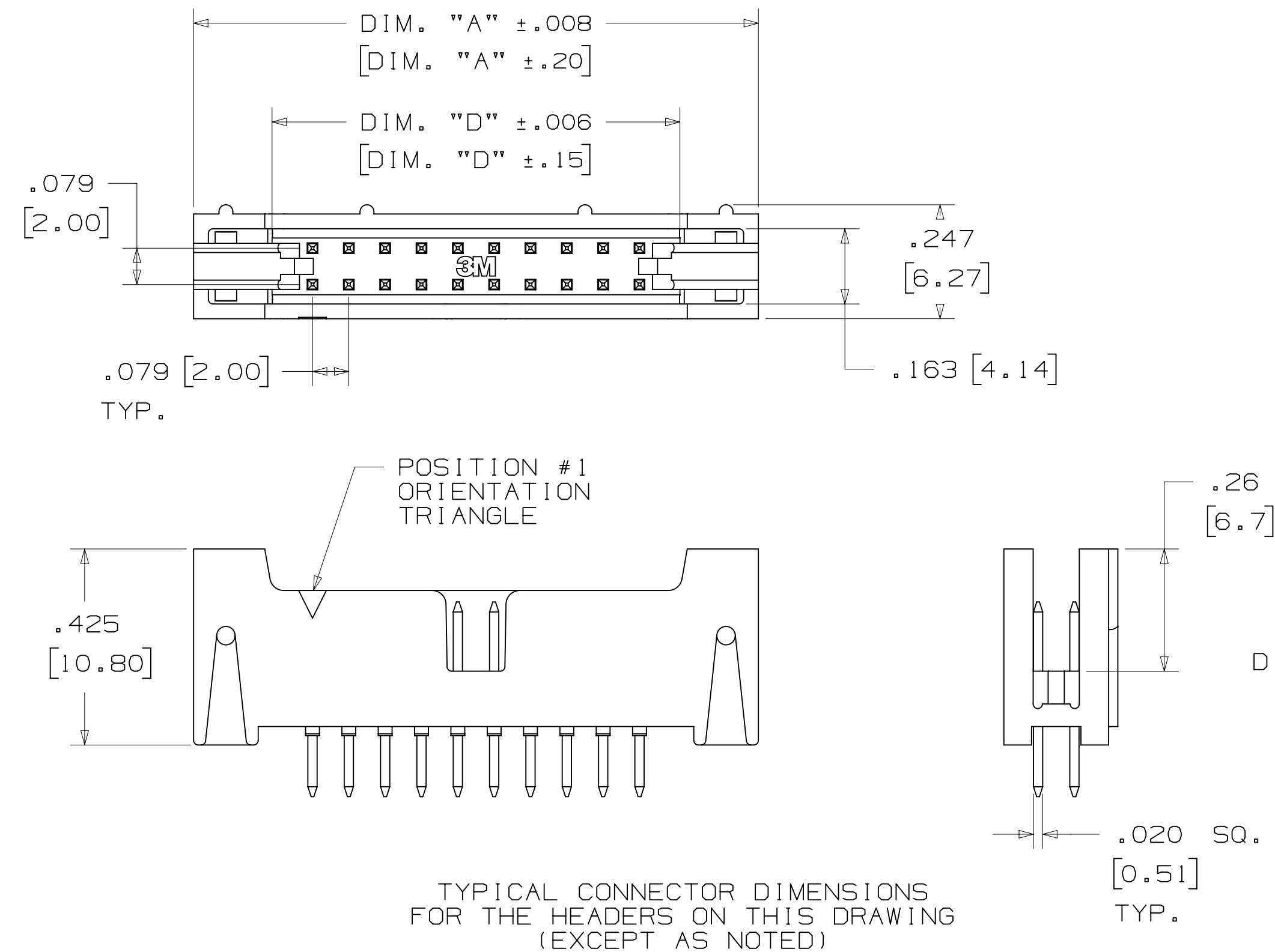
RATING CONDITIONS: EIA-364-070 METHOD 2, 30°C MAXIMUM TEMPERATURE RISE, 20% DERATED. REFERENCE APPROPRIATE 3M PRODUCT SPECIFICATION FOR DETAILED CURRENT DERATING CURVES.

INSULATION RESISTANCE: > 1X10⁹ OHMS AT 500 V_{DC}
 WITHSTANDING VOLTAGE (1552XX): 1000 V_{RMS} AT SEA LEVEL
 WITHSTANDING VOLTAGE (G1552XX): 750 V_{RMS} AT SEA LEVEL

3 ENVIRONMENTAL:

TEMPERATURE RATING: -55°C TO +105°C
 PROCESS RATING: MAXIMUM 260°C (PER J-STD-020)
 MOISTURE SENSITIVITY LEVEL: 1 (PER J-STD-020)

| CONTACT QTY. | DIM. "A" | DIM. "B" | DIM. "D" | LATCH OPTION | TAPE WIDTH | ORDER CODE | CONTACT QTY. |
|--------------|---------------|---------------|---------------|--------------|------------|------------|--------------|
| 06 | .673 [17.09] | .157 [4.00] | .333 [8.45] | 2, 4 | 44 MM | WD | 06 |
| 08 | .752 [19.10] | .236 [6.00] | .411 [10.44] | 2, 4 | 44 MM | WD | 08 |
| 10 | .831 [21.10] | .315 [8.00] | .490 [12.45] | 2, 3, 4 | 44 MM | WD | 10 |
| 12 | .910 [23.10] | .394 [10.00] | .569 [14.45] | 3, 4 | 44 MM | WD | 12 |
| 16 | 1.067 [27.10] | .551 [14.00] | .726 [18.44] | 2, 4 | 56 MM | WE | 16 |
| 20 | 1.224 [31.09] | .709 [18.00] | .884 [22.45] | 2, 3, 4 | 56 MM | WE | 20 |
| 22 | 1.303 [33.10] | .787 [20.00] | .963 [24.46] | 2, 4 | 56 MM | WE | 22 |
| 24 | 1.382 [35.10] | .866 [22.00] | 1.041 [26.44] | 2, 4 | 56 MM | WE | 24 |
| 26 | 1.461 [37.10] | .945 [24.00] | 1.120 [28.45] | 2, 3, 4 | 72 MM | WF | 26 |
| 30 | 1.618 [41.10] | 1.102 [28.00] | 1.278 [32.46] | 2, 4 | 72 MM | WF | 30 |
| 34 | 1.774 [45.09] | 1.260 [32.00] | 1.435 [36.46] | 2, 4 | 72 MM | WF | 34 |
| 40 | 2.012 [51.10] | 1.496 [38.00] | 1.671 [42.44] | 2, 3, 4 | 72 MM | WF | 40 |
| 44 | 2.169 [55.09] | 1.654 [42.00] | 1.829 [46.46] | 2, 3, 4 | 88 MM | WG | 44 |
| 50 | 2.405 [61.09] | 1.980 [48.00] | 2.065 [54.45] | 2, 3, 4 | 88 MM | WG | 50 |



TYPICAL CONNECTOR DIMENSIONS FOR THE HEADERS ON THIS DRAWING (EXCEPT AS NOTED)

DIMENSIONS: MM [INCHES]

- NOTES
- MATERIAL:
 PLASTIC:
 GLASS FILLED POLYESTER (LCP)
 UL94V-0, BLACK
 CONTACT: COPPER ALLOY.
 - PLATING:
 50μ NICKEL UNDERPLATING
 WIPE AREA: SEE ORDERING INFO.
 SOLDER TAIL: 200μ MATTE TIN.
 - IN THE EVENT OF CONFLICT BETWEEN THIS DATA AND THAT CONTAINED IN THE PRODUCT SPECIFICATION, THE PRODUCT SPECIFICATION TAKES PRECEDENT.
 - REGULATORY INFORMATION:
 VISIT 3M.com/regs OR CONTACT YOUR 3M REPRESENTATIVE TO FIND THE RoHS COMPLIANCE STATUS OF THE 3M PART YOU ARE INTERESTED IN.
 - SEE TABLE 1 FOR LATCH AVAILABILITY.
 - MATING COMPATIBILITY SERIES:
 1522, 870, 2M AND 2MM SCI CARRIER (93XX).
 - SURFACE MOUNT VERSION:
 ORDER CODE APPLIES TO THE TAPE AND REEL WIDTH.

3M ELECTRONICS MATERIALS SOLUTIONS DIVISION
 INTERCONNECT SOLUTIONS
<http://www.3mconnectors.com>

3M IS A TRADEMARK OF 3M COMPANY.
 FOR TECHNICAL, SALES OR ORDERING
 INFORMATION CALL 800-225-5373

| | | | | | | |
|--|---------------------------------|--|--------------|---|--------------|--------------|
| DESIGN REFERENCE | NEXT ASSEMBLY | REV | ECO | ISSUE DATE AND DESCRIPTION | DRFT | CHKD |
| | | | | | | |
| DIVISION | DIVISION CODE | DATE | DATE | DATE | DATE | DATE |
| | EMSD | JAN 21, 2015 | JAN 21, 2015 | JAN 21, 2015 | JAN 21, 2015 | JAN 21, 2015 |
| DO NOT SCALE DRAWING | SCALE 4/1 | TOLERANCES EXCEPT AS NOTED | | INCHES .00 ± .01 .000 ± .008 .0000 ± MILLIMETERS 0 ± .3 .00 ± .20 .000 ± | | |
| THIRD ANGLE PROJECTION | INTERPRET PER ASME Y14.5 - 2009 | MAX SURFACE ROUGHNESS SURFACES MARKED ONLY | | © 3M COPYRIGHT 2017 This document and the information it contains are 3M property and may not be reproduced or further distributed without 3M permission, or used or disclosed other than for 3M authorized purposes. All rights reserved. | | |
| TITLE | | CAGE NUMBER | | DRAWING NO. | | REV. |
| LATCH/EJECT HEADER, 2MM, STRAIGHT, RIGHT ANGLE & SMT | | D | | 78-5100-2199-7 | | L |
| MODEL | | 1552 | | SHT 1 OF 4 | | |

78-5100-2199-7
 DRAWING NUMBER
 1552
 TIME: 5/17/2017 10:17 UTC
 OFFSET

3M™ LATCH/EJECT HEADER, 1552 SERIES
2MM X 2MM STRAIGHT & RIGHT ANGLE, THROUGH-HOLE, STRAIGHT & SURFACE MOUNT

STRAIGHT VERSION



ORDERING INFORMATION
1552XX-6X0X-XX

CONTACT QUANTITY: 2 3 4

LATCHING OPTIONS:
2 = LATCH, MOLDED-ON SOCKET WITH LATCHING EARS, SERIES: 870, 2MM
3 = LATCH, PRESS-ON SOCKET, SERIES: 1522
4 = LATCH, 2MM SCI CARRIER ONLY, SERIES: 93XX

PLATING OPTIONS:
RB = 30µIN [.76µm] GOLD
RA = 10µIN [.25µm] GOLD (RIA E1 & C1 APPLY) FOR BOTH PLATINGS

SOLDER TAIL LENGTH: DIMENSION "E"
2 = .112 [2.84]
3 = .155 [3.94]

RECOMMENDED PC BOARD PATTERN (VIEWED FROM CONNECTOR SIDE)

STRAIGHT VERSION WITH INTERSTITIAL GROUNDS



ORDERING INFORMATION
G1552XX-6X0X-XX

CONTACT QUANTITY: 2 3 4

LATCHING OPTIONS:
4 = LATCH, 2MM SCI CARRIER ONLY, SERIES 93XX

PLATING OPTIONS:
RB = 30µIN [.76µm] GOLD
RA = 10µIN [.25µm] GOLD (RIA E1 & C1 APPLY) FOR BOTH PLATINGS

SOLDER TAIL LENGTH: DIMENSION "E"
2 = .112 [2.84]

RECOMMENDED PC BOARD PATTERN (VIEWED FROM CONNECTOR SIDE)

| DESIGN REFERENCE | NEXT ASSEMBLY | REV | ECO | ISSUE DATE AND DESCRIPTION | DRFT | CHKD |
|---------------------------------|--|---|---|----------------------------|-------------|---|
| | | | | | | |
| DATE | DATE | DATE | DATE | DATE | DATE | DATE |
| CHKD | DATE | APPV | DATE | | | |
| | | R. SCHERER | JAN 21, 2015 | | | |
| DIVISION | DIVISION CODE | © 3M COPYR [GHT] 2017 This document and the information it contains are 3M property and may not be reproduced or further distributed without 3M permission, or used or disclosed other than for 3M authorized purposes. All rights reserved. | | | | |
| DO NOT SCALE DRAWING | SCALE 4/1 | TOLERANCES EXCEPT AS NOTED | 3M Center St. Paul, MN 55144 | | | |
| THIRD ANGLE PROJECTION | INCHES .00 ±.01 .000 ±.008 .0000 ± | MILLIMETERS 0 ± .0 ±.3 .00 ±.20 .000 ± | TITLE LATCH/EJECT HEADER, 2MM, STRAIGHT, RIGHT ANGLE & SMT | | | |
| INTERPRET PER ASME Y14.5 - 2009 | MAX SURFACE ROUGHNESS | MARKED ONLY | CAGE NUMBER | SIZE | DRAWING NO. | REV. |
| | | | D | 78-5100-2199-7 | L | |
| | | | MODEL | 1552 | DET | ISTS <input type="checkbox"/> YES <input checked="" type="checkbox"/> NO SHT 2 OF 4 |

78-5100-2199-7 DRAWING NUMBER
Standard Time5/17/2017UTC Offset

3M™ LATCH/EJECT HEADER, 1552 SERIES
2MM X 2MM STRAIGHT & RIGHT ANGLE, THROUGH-HOLE, STRAIGHT & SURFACE MOUNT

RIGHT ANGLE VERSION



RECOMMENDED PC BOARD PATTERN
(VIEWED FROM CONNECTOR SIDE)

ORDERING INFORMATION

1552XX-5X0X-XX

CONTACT QUANTITY: []

- LATCHING OPTIONS:
- 2 = LATCH, MOLDED-ON SOCKET WITH LATCHING EARS, SERIES: 870, 2MM
 - 3 = LATCH, PRESS-ON SOCKET, SERIES: 1522
 - 4 = LATCH, 2MM SCI CARRIER ONLY, SERIES 93XX

- PLATING OPTIONS:
- RB = 30µIN [.76µm] GOLD
 - RA = 10µIN [.25µm] GOLD (RIA E1 & C1 APPLY) FOR BOTH PLATINGS

- SOLDER TAIL LENGTH:
DIMENSION "E"
- 2 = .112 [2.84]
 - 3 = .155 [3.94]

SURFACE MOUNT VERSION

NOTES:

- 1) TAPE & REEL PARTS ALWAYS SUPPLIED WITH VACUUM PICK-UP CAP.
- 2) TAPE & REEL NOT AVAILABLE WITH SCI LATCH OPTION.
- 3) TRAY PARTS SUPPLIED WITHOUT VACUUM PICK-UP CAP.



RECOMMENDED PC BOARD PATTERN
(VIEWED FROM CONNECTOR SIDE)

ORDERING INFORMATION

1552XX-2X00-XX-XX

CONTACT QUANTITY: []

- LATCHING OPTIONS:
- 2 = LATCH, MOLDED-ON SOCKET WITH LATCHING EARS, SERIES: 870, 2MM
 - 3 = LATCH, PRESS-ON SOCKET, SERIES: 1522
 - 4 = LATCH, 2MM SCI CARRIER ONLY, SERIES 93XX

- PACKAGING:
BLANK = TRAYS
WX = TAPE & REEL
(SEE TABLE 1 ORDER CODE)

- PLATING OPTIONS:
- RB = 30µIN [.76µm] GOLD
 - RA = 10µIN [.25µm] GOLD (RIA E1 & C1 APPLY) FOR BOTH PLATINGS

| DESIGN REFERENCE | NEXT ASSEMBLY | REV | ECO | ISSUE DATE AND DESCRIPTION | DRFT | CHKD |
|------------------------|---------------------------------|--|---|----------------------------|-------------|------------------------|
| | | | | | | |
| DATE | DATE | DATE | DATE | DATE | DATE | DATE |
| CHKD | DATE | APPV | DATE | | | |
| | | | | | | |
| DIVISION | DIVISION CODE | This document and the information it contains are 3M property and may not be reproduced or further distributed without 3M permission, or used or disclosed other than for 3M authorized purposes. All rights reserved. | | | | |
| DO NOT SCALE DRAWING | SCALE 4/1 | TOLERANCES EXCEPT AS NOTED | INCHES .00 ±.01 .000 ±.008 .0000 ± | | | |
| THIRD ANGLE PROJECTION | INTERPRET PER ASME Y14.5 - 2009 | MILLIMETERS | 0 ± .0 ±.3 .00 ±.20 .000 ± | | | |
| MAX SURFACE ROUGHNESS | MARKED ONLY | ANGL | CAGE NUMBER | SIZE | DRAWING NO. | REV. |
| | | | D | 78-5100-2199-7 | L | |
| | | | MODEL | 1552 | DET | ISTS YES NO SHT 3 OF 4 |

Imaged: L.6 Central Standard Time 5/17/2017 UTC OffSet

3M™ LATCH/EJECT HEADER, 1552 SERIES
 2MM X 2MM STRAIGHT & RIGHT ANGLE, THROUGH-HOLE, STRAIGHT & SURFACE MOUNT

Technical Information: The technical information, recommendations and other statements contained in this document are based upon tests or experience that 3M believes are reliable, but the accuracy or completeness of such information is not guaranteed.

Product Use: Many factors beyond 3M's control and uniquely within user's knowledge and control can affect the use and performance of a 3M product in a particular application. Given the variety of factors that can affect the use and performance of a 3M product, user is solely responsible for evaluating the 3M product and determining whether it is fit for a particular purpose and suitable for user's method of application.

Warranty, Limited Remedy, and Disclaimer: Unless an additional warranty is specifically stated on the applicable 3M product packaging or product literature, 3M warrants that each 3M product meets the applicable 3M product specification at the time 3M ships the product. 3M MAKES NO OTHER WARRANTIES OR CONDITIONS, EXPRESS OR IMPLIED, INCLUDING, BUT NOT LIMITED TO, ANY IMPLIED WARRANTY OR CONDITION OF MERCHANTABILITY OR FITNESS FOR A PARTICULAR PURPOSE OR ANY IMPLIED WARRANTY OR CONDITION ARISING OUT OF A COURSE OF DEALING, CUSTOM OR USAGE OF TRADE. If the 3M product does not conform to this warranty, then the sole and exclusive remedy is, at 3M's option, replacement of the 3M product or refund of the purchase price.

Limitation of Liability: Except where prohibited by law, 3M will not be liable for any loss or damage arising from the 3M product, whether direct, indirect, special, incidental or consequential, regardless of the legal theory asserted, including warranty, contract, negligence or strict liability.

Unless otherwise noted, references to industry specifications are intended to indicate substantial compliance to the material elements of the specification. Such references should not be construed as a guarantee of compliance to all requirements in a given specification.

| | | | | | | | | | |
|---|--|-------------------------------------|--|--|------|---|--------------|------|------|
| DESIGN REFERENCE | | NEXT ASSEMBLY | | REV | ECO | ISSUE DATE AND DESCRIPTION | | DRFT | CHKD |
| MATERIAL CODES | | DIVISION CODE | | OFF | DATE | MFG | DATE | | |
| | | EMSD | | CHKD | DATE | APPRV | DATE | | |
| | | | | | | R. SCHERER | JAN 21, 2015 | | |
| DO NOT SCALE DRAWING | | SCALE 1/1 | | TOLERANCES EXCEPT AS NOTED | |  © 3M COPYRIGHT 2017 This document and the information it contains are 3M property and may not be reproduced or further distributed without 3M permission, or used or disclosed other than for 3M authorized purposes. All rights reserved. | | | |
| THIRD ANGLE PROJECTION | | INCHES | | TITLE LATCH/EJECT HEADER, 2MM, STRAIGHT, RIGHT ANGLE & SMT | | | | | |
| INTERPRET PER ASME Y14.5 - 2009 | | MILLIMETERS | | CAGE NUMBER D 78-5100-2199-7 L MODEL 1552 DET. <input type="checkbox"/> YES <input checked="" type="checkbox"/> NO SHT 4 OF 4 | | | | | |
| MAX SURFACE ROUGHNESS | | .00 ± .01 .000 ± .008 .0000 ± | | | | | | | |
| SURFACES | | .0 ± .3 .00 ± .20 .000 ± | | | | | | | |
| <input checked="" type="checkbox"/> MARKED ONLY | | ANGLES | | | | | | | |

78-5100-2199-7 DRAWING NUMBER
 1552
 Standard Time5/17/2017UTC Offrset

Компания «Океан Электроники» предлагает заключение долгосрочных отношений при поставках импортных электронных компонентов на взаимовыгодных условиях!

Наши преимущества:

- Поставка оригинальных импортных электронных компонентов напрямую с производств Америки, Европы и Азии, а так же с крупнейших складов мира;
- Широкая линейка поставок активных и пассивных импортных электронных компонентов (более 30 млн. наименований);
- Поставка сложных, дефицитных, либо снятых с производства позиций;
- Оперативные сроки поставки под заказ (от 5 рабочих дней);
- Экспресс доставка в любую точку России;
- Помощь Конструкторского Отдела и консультации квалифицированных инженеров;
- Техническая поддержка проекта, помощь в подборе аналогов, поставка прототипов;
- Поставка электронных компонентов под контролем ВП;
- Система менеджмента качества сертифицирована по Международному стандарту ISO 9001;
- При необходимости вся продукция военного и аэрокосмического назначения проходит испытания и сертификацию в лаборатории (по согласованию с заказчиком);
- Поставка специализированных компонентов военного и аэрокосмического уровня качества (Xilinx, Altera, Analog Devices, Intersil, Interpoint, Microsemi, Actel, Aeroflex, Peregrine, VPT, Syfer, Eurofarad, Texas Instruments, MS Kennedy, Miteq, Cobham, E2V, MA-COM, Hittite, Mini-Circuits, General Dynamics и др.);

Компания «Океан Электроники» является официальным дистрибьютором и эксклюзивным представителем в России одного из крупнейших производителей разъемов военного и аэрокосмического назначения «JONHON», а так же официальным дистрибьютором и эксклюзивным представителем в России производителя высокотехнологичных и надежных решений для передачи СВЧ сигналов «FORSTAR».



JONHON

«JONHON» (основан в 1970 г.)

Разъемы специального, военного и аэрокосмического назначения:

(Применяются в военной, авиационной, аэрокосмической, морской, железнодорожной, горно- и нефтедобывающей отраслях промышленности)

«FORSTAR» (основан в 1998 г.)

ВЧ соединители, коаксиальные кабели, кабельные сборки и микроволновые компоненты:

(Применяются в телекоммуникациях гражданского и специального назначения, в средствах связи, РЛС, а так же военной, авиационной и аэрокосмической отраслях промышленности).



Телефон: 8 (812) 309-75-97 (многоканальный)

Факс: 8 (812) 320-03-32

Электронная почта: ocean@oceanchips.ru

Web: <http://oceanchips.ru/>

Адрес: 198099, г. Санкт-Петербург, ул. Калинина, д. 2, корп. 4, лит. А