



FCIconnect.com

Copyright FCI.

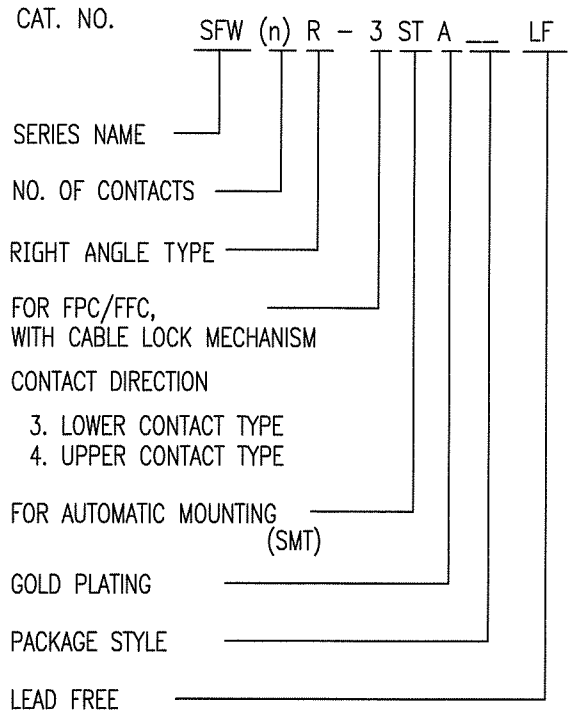
List of "SFW__R-3/4STAE1LF" customer document

DOCUMENT NO.	LIST
SC-SFW16	SPEC.
JSA96274	CAT.NO.TABLE FOR 1mm CONTACT SPACING SMT CONNECTOR (SFW__R-3/4STA__LF)
JSA96275	1mm SPACING SMT CONNECTOR (SFW__R-3STA__LF)
JSA96276	1mm SPACING SMT CONNECTOR (SFW__R-4STA__LF)
JSA96277	CAT.NO.TABLE FOR PLASTIC TAPE PACKAGED 1mm SPACING SMT CONNECTOR (SFW__R-3/4STAE1LF)
JSA96278	PLASTIC TAPE PACKAGED 1mm SPACING SMT CONNECTOR (SFW__R-3STAE1LF)
JSA96279	PLASTIC TAPE PACKAGED 1mm SPACING SMT CONNECTOR (SFW__R-4STAE1LF)
JSA96280	RECOMMENDED CABLE (FPC) (SFW__R-3/4STA__)
GS-20-130	HANDLING PROCEDURES

mat'l. code		surface		tolerance		projection		product family		CODE	
-		ISO 1302		ISO 406				58RF		JP	
ltr		ecn no		dr		date		tolerances unless otherwise specified		title	
A	J05-0024	H.T	1/20/05	angles		linear		mm		1mm SPACING FPC CONNECTOR DOCUMENT LIST	
B	J06-0398	H.T	9/26/06	linear						(Cat. No. : SFW__R-3/4STAE1LF)	
C	J09-0363	M.Y	2009-10-8	dr		2009-10-27		scale		sheet 1 of 1 size	
D	J09-0380	M.Y	2009-10-27	enr		2009-10-27				JSA 96334 A4	
sheet index		revision sheet		chr		2009-10-27		appd		type Product Customer Drawing	
D		1		S. Chidambaram		2009-10-27				Rev. D	

CAT. NO. & DIMENSIONS

NO. OF CONTACTS (n)	CAT. NO.	DIMENSIONS (NOTE2)			
		A ± 0.2	B ± 0.2	C ± 0.2	D ± 0.1
4	SFW4R-3/4STA__LF	9.8	8.6	3.0	3.92
5	SFW5R-3/4STA__LF	10.8	9.6	4.0	4.92
6	SFW6R-3/4STA__LF	11.8	10.6	5.0	5.92
7	SFW7R-3/4STA__LF	12.8	11.6	6.0	6.92
8	SFW8R-3/4STA__LF	13.8	12.6	7.0	7.92
9	SFW9R-3/4STA__LF	14.8	13.6	8.0	8.92
10	SFW10R-3/4STA__LF	15.8	14.6	9.0	9.92
11	SFW11R-3/4STA__LF	16.8	15.6	10.0	10.92
12	SFW12R-3/4STA__LF	17.8	16.6	11.0	11.92
13	SFW13R-3/4STA__LF	18.8	17.6	12.0	12.92
14	SFW14R-3/4STA__LF	19.8	18.6	13.0	13.92
15	SFW15R-3/4STA__LF	20.8	19.6	14.0	14.92
16	SFW16R-3/4STA__LF	21.8	20.6	15.0	15.92
17	SFW17R-3/4STA__LF	22.8	21.6	16.0	16.92
18	SFW18R-3/4STA__LF	23.8	22.6	17.0	17.92
19	SFW19R-3/4STA__LF	24.8	23.6	18.0	18.92
20	SFW20R-3/4STA__LF	25.8	24.6	19.0	19.92
21	SFW21R-3/4STA__LF	26.8	25.6	20.0	20.92
22	SFW22R-3/4STA__LF	27.8	26.6	21.0	21.92
23	SFW23R-3/4STA__LF	28.8	27.6	22.0	22.92
24	SFW24R-3/4STA__LF	29.8	28.6	23.0	23.92
25	SFW25R-3/4STA__LF	30.8	29.6	24.0	24.92
26	SFW26R-3/4STA__LF	31.8	30.6	25.0	25.92
27	SFW27R-3/4STA__LF	32.8	31.6	26.0	26.92
28	SFW28R-3/4STA__LF	33.8	32.6	27.0	27.92
29	SFW29R-3/4STA__LF	34.8	33.6	28.0	28.92
30	SFW30R-3/4STA__LF	35.8	34.6	29.0	29.92

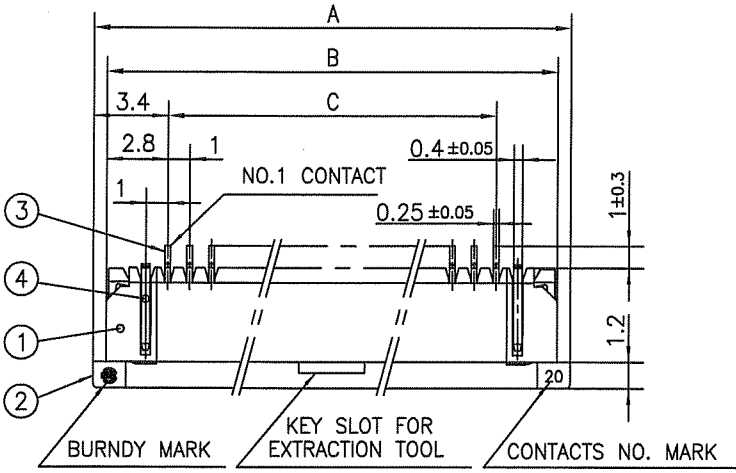


NOTES

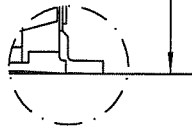
1. THIS PRODUCT IS THE CONNECTOR USED FOR FPC AND COPE WITH AUTOMATIC MOUNTING (SMT).
2. SEE PART DRAWINGS FOR DIMENSIONS A~D.
3. THIS PRODUCT IS THE CONNECTOR WITH CABLE LOCK MECHANISM.

mat'l. code				surface 58 / ISO 1302		tolerance ISO 406 / ISO 1101		projection		product family 58RF		CODE JP	
ltr ecn no dr date				tolerances unless otherwise specified		angles linear		mm		title CAT NO. TABLE FOR 1mm SPACING SMT CONNECTOR (Cat. No. SFW__R-3/4STA__LF)			
A J05-0024 H.T 1/20/05										dwg no JSA 96274 sheet 1 of 1 size A4			
B J06-0398 H.T 9/26/06													
C J09-0363 M.Y 2009-10-8													
				dr		M.YAMAOKA 2009-10-8				type Product Customer Drawing			
				enr		M.YAMAOKA 2009-10-8							
				chr		S. M. 2009-10-8							
				appd		S. M. 2009-10-8							
sheet index		revision C		sheet 1								Rev. C	

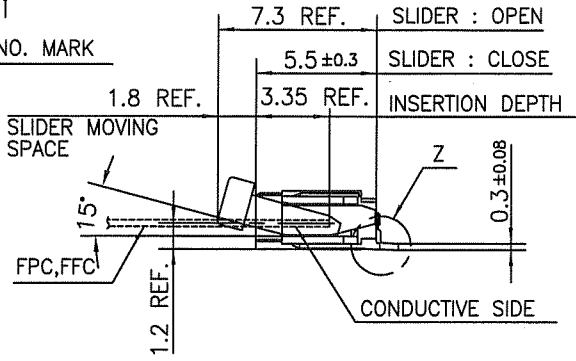
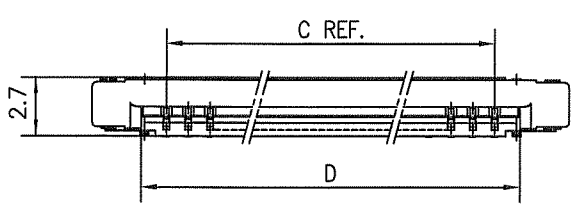
SC-SFW16 JSA96275 96276 96277 96280 form: A4



0.1 (NOTE2)



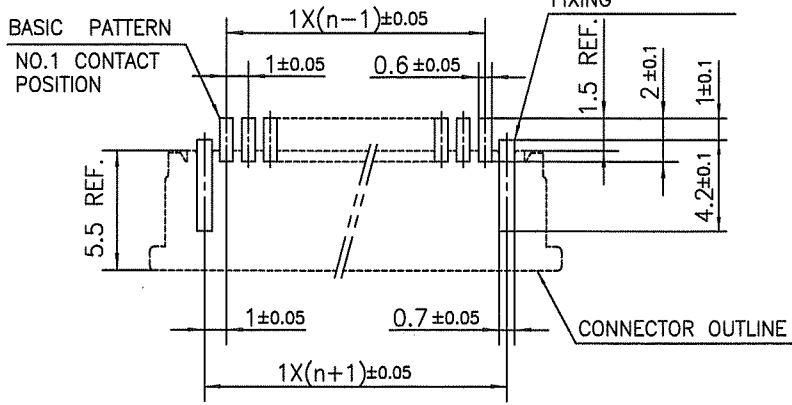
DETAIL Z



PT. NO.	PARTS NAME	MATERIAL	Q'TY	NOTE
1	HOUSING	PPS RESIN GLASS REINFORCED (UL94V-0)	1	COLOR:BLACK
2	SLIDER	PPS RESIN GLASS REINFORCED (UL94V-0)	1	COLOR:BROWN
3	CONTACT	PHOSPHOR BRONZE	n	CONTACT AREA : GOLD TARMINAL AREA : TIN
4	MOUNTING PLATE		2	PLATING:TIN

n : NO. OF CONTACTS

RECOMMENDED PC BOARD LAYOUT (COMPONENT SIDE)

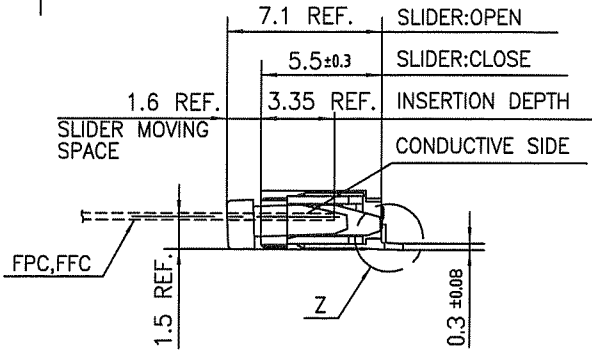
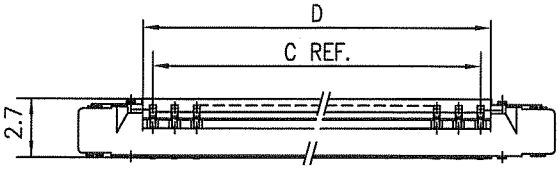
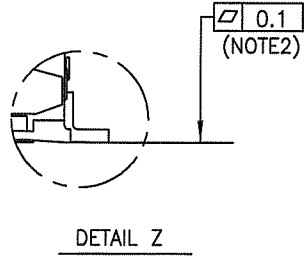
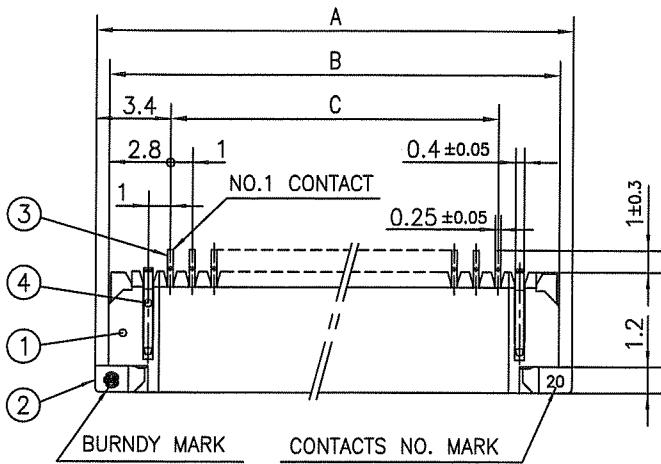


NOTES

1. THIS PRODUCT IS THE CONNECTOR USED FOR FPC AND COPES WITH AUTOMATIC MOUNTING (SMT).
2. FLATNESS FOR CONTACT TERMINAL HOUSING MUST BE WITHIN TOLERANCE IN Z PORTION DETAILED DRAWING.
3. THIS PRODUCT IS LOWER CONTACT TYPE CONNECTOR WITH CABLE LOCK MECHANISM.
4. THIS PRODUCT MEETS EUROPEAN UNION DIRECTIVES AND OTHER COUNTRY REGULATIONS AS DESCRIBED IN GS-22-008.
5. THE HOUSING WILL WITHSTAND EXPOSURE TO 260°C PEAK TEMPERATURE FOR 10 SECONDS IN A REFLOW SOLDERING OVEN.

mat'l. code		surface 58 / tolerance ISO 1302 / ISO 406 / ISO 1101		projection		product family 58RF		CODE JP	
ltr ecn no dr date		tolerances unless otherwise specified		mm		title			
A J05-0024 H.T 1/20/05		angles linear ±0.2		mm		1mm SPACING SMT CONNECTOR (Cat. No. SFW__R-3STA__LF)			
B J05-0736 H.T 10/28/05				scale X		dwg no		sheet 1 of 1 size	
C J06-0398 H.T 9/26/06						JSA 96275		A4	
D J09-0363 M.Y 2009-10-8		dr H.SAMABRITA 2009-10-8		FCJ		type Product Customer Drawing			
		enr H.SAMABRITA 2009-10-8							
		chr S. M. 2009-10-8							
		appd S. M. 2009-10-8							
sheet index		revision sheet 1						Rev. D	

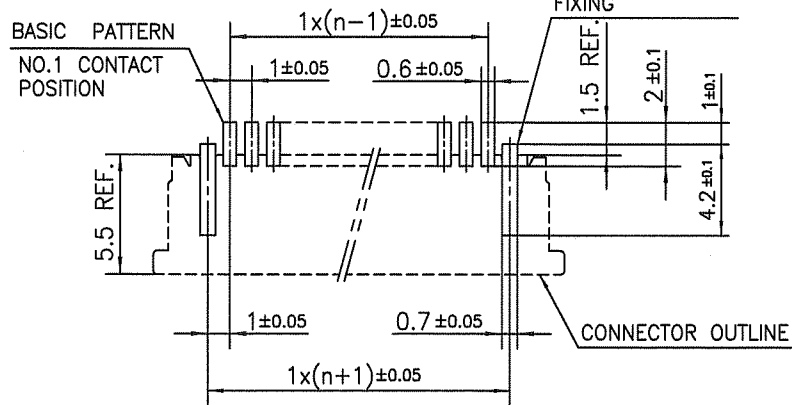
SC-SFW16 JSA96274 Form: A4



PT. NO.	PARTS NAME	MATERIAL	Q'TY	NOTE
1	HOUSING	PPS RESIN GLASS REINFORCED (UL94V-0)	1	COLOR:BLACK
2	SLIDER	PPS RESIN GLASS REINFORCED (UL94V-0)	1	COLOR:BROWN
3	CONTACT	PHOSPHOR BRONZE	n	CONTACT AREA : GOLD TARMINAL AREA : TIN
4	MOUNTING PLATE		2	PLATING:TIN

n : NO. OF CONTACTS

RECOMMENDED PC BOARD LAYOUT (COMPONENT SIDE)



NOTES

1. THIS PRODUCT IS THE CONNECTOR USED FOR FPC AND COPES WITH AUTOMATIC MOUNTING (SMT).
2. FLATNESS FOR CONTACT TERMINAL HOUSING MUST BE WITHIN TOLERANCE IN Z PORTION DETAILED DRAWING.
3. THIS PRODUCT IS UPPER CONTACT TYPE CONNECTOR WITH CABLE LOCK MECHANISM.
4. THIS PRODUCT MEETS EUROPEAN UNION DIRECTIVES AND OTHER COUNTRY REGULATIONS AS DESCRIBED IN GS-22-008.
5. THE HOUSING WILL WITHSTAND EXPOSURE TO 260°C PEAK TEMPERATURE FOR 10 SECONDS IN A REFLOW SOLDERING OVEN.

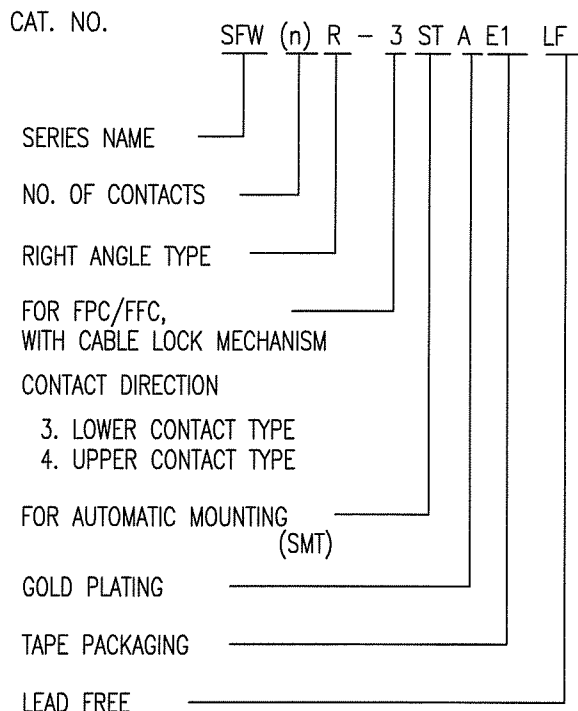
mat'l. code				surface 58 / tolerance ISO 1302 / ISO 406 / ISO 1101		projection		product family 58RF		CODE JP	
ltr ecn no dr date				tolerances unless otherwise specified		mm		title			
A J05-0024 H.T 1/20/05				angles linear ± 0.2		mm		1mm SPACING SMT CONNECTOR (Cat. No. SFW__R-4STA__LF)			
B J05-0736 H.T 10/28/05						scale X		dwg no sheet 1 of 1 size			
C J06-0398 H.T 9/26/06						FCJ		JSA 96276 A4			
D J09-0363 M.Y 2009-10-8				dr H.YAMASHITA 2009-10-8				type Product Customer Drawing			
				enr M.YAMASHITA 2009-10-8				Rev. D			
				chr S. Nishida 2009-10-8							
				appd S. Ando 2009-10-8							
sheet index		revision D		sheet 1							



Copyright FCI.

CAT. NO. & DIMENSIONS

NO. OF CONTACTS (n)	CAT. NO. (NOTE2)	DIMENSIONS (NOTE3)		
		E ± 5	F ± 0.3	G ± 0.1
4	SFW4R-3/4STAE1LF	20.4	16	—
5	SFW5R-3/4STAE1LF	28.4	24	—
6	SFW6R-3/4STAE1LF	28.4	24	—
7	SFW7R-3/4STAE1LF	28.4	24	—
8	SFW8R-3/4STAE1LF	28.4	24	—
9	SFW9R-3/4STAE1LF	28.4	24	—
10	SFW10R-3/4STAE1LF	28.4	24	—
11	SFW11R-3/4STAE1LF	28.4	24	—
12	SFW12R-3/4STAE1LF	28.4	24	—
13	SFW13R-3/4STAE1LF	36.4	32	28.4
14	SFW14R-3/4STAE1LF	36.4	32	28.4
15	SFW15R-3/4STAE1LF	36.4	32	28.4
16	SFW16R-3/4STAE1LF	36.4	32	28.4
17	SFW17R-3/4STAE1LF	48.4	44	40.4
18	SFW18R-3/4STAE1LF	48.4	44	40.4
19	SFW19R-3/4STAE1LF	48.4	44	40.4
20	SFW20R-3/4STAE1LF	48.4	44	40.4
21	SFW21R-3/4STAE1LF	48.4	44	40.4
22	SFW22R-3/4STAE1LF	48.4	44	40.4
23	SFW23R-3/4STAE1LF	48.4	44	40.4
24	SFW24R-3/4STAE1LF	48.4	44	40.4
25	SFW25R-3/4STAE1LF	48.4	44	40.4
26	SFW26R-3/4STAE1LF	48.4	44	40.4
27	SFW27R-3/4STAE1LF	48.4	44	40.4
28	SFW28R-3/4STAE1LF	60.4	56	52.4
29	SFW29R-3/4STAE1LF	60.4	56	52.4
30	SFW30R-3/4STAE1LF	60.4	56	52.4



NOTES

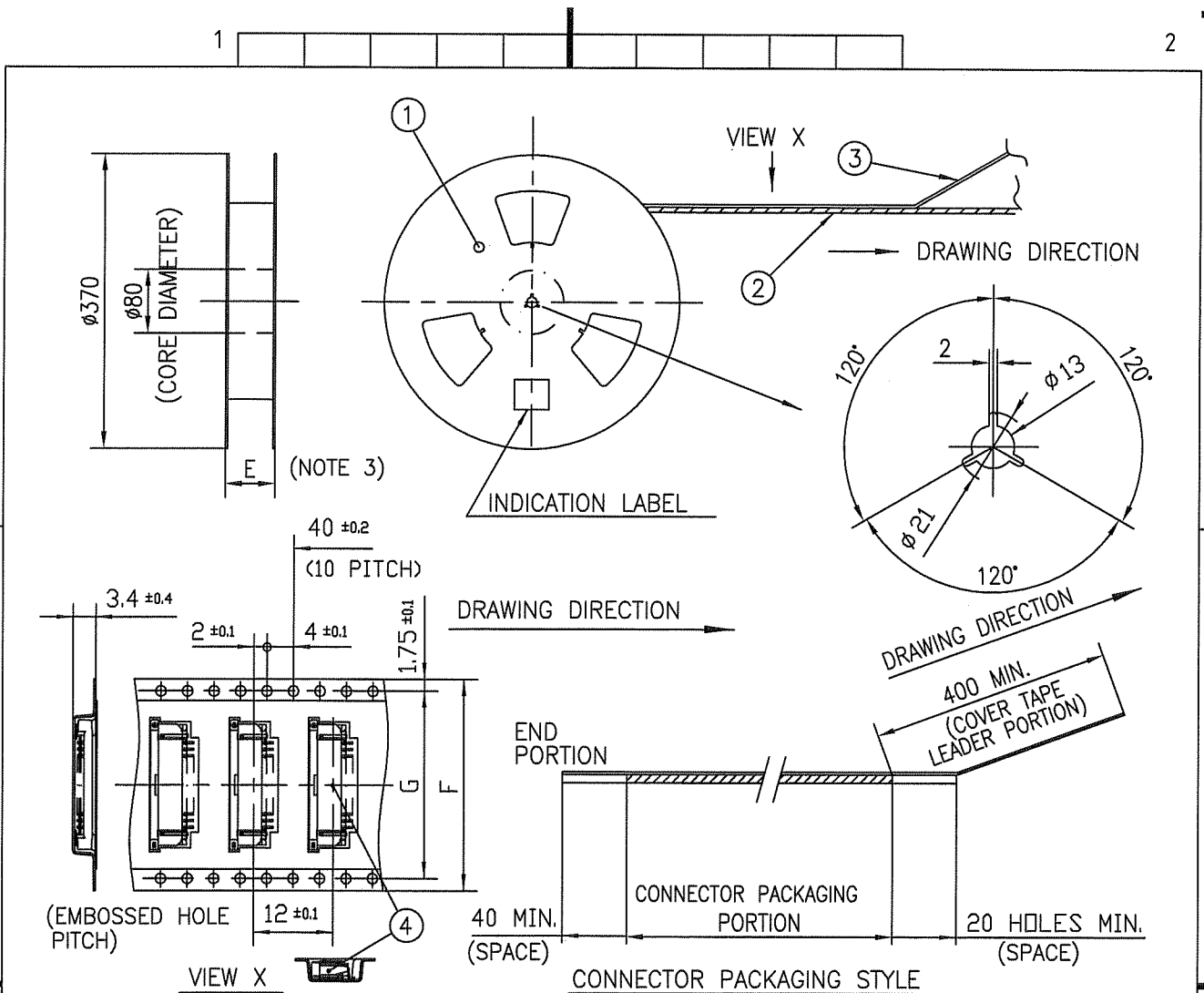
1. THIS PRODUCT IS THE CONNECTOR USED FOR FPC AND COPELS WITH AUTOMATIC MOUNTING (SMT).
2. THIS CATALOG NO. INDICATES PLASTIC TAPE PACKAGED CONNECTOR.
3. SEE PART DRAWINGS FOR DIMENSIONS E~G.
4. THIS PRODUCT IS THE CONNECTOR WITH CABLE LOCK MECHANISM.

mat'l. code				surface 58 / tolerance ISO 1302 / ISO 406 / ISO 1101		projection		product family 58RF		CODE JP	
ltr	ecn no	dr	date	tolerances unless otherwise specified		mm		title CAT NO. TABLE FOR PLASTIC TAPE PACKAGED 1mm SPACING SMT CONNECTOR (Cat. No. SFW__R-3/4STAE1LF)			
A	J05-0024	H.T	1/20/05	angles	linear	scale X		dwg no JSA 96277		sheet 1 of 1 size A4	
B	J06-0398	H.T	9/26/06	dr	M.YAHASHI	2007-10-8		FCJ type Product Customer Drawing			
C	J09-0363	M.Y	2009-10-8	enr	M.YAHASHI	2007-10-8					
				chr	P. Chudam	2007-10-8					
				appd	P. Chudam	2009-10-8					
sheet index	revision C	sheet 1									Rev. C



FCIconnect.com

Copyright FCI.



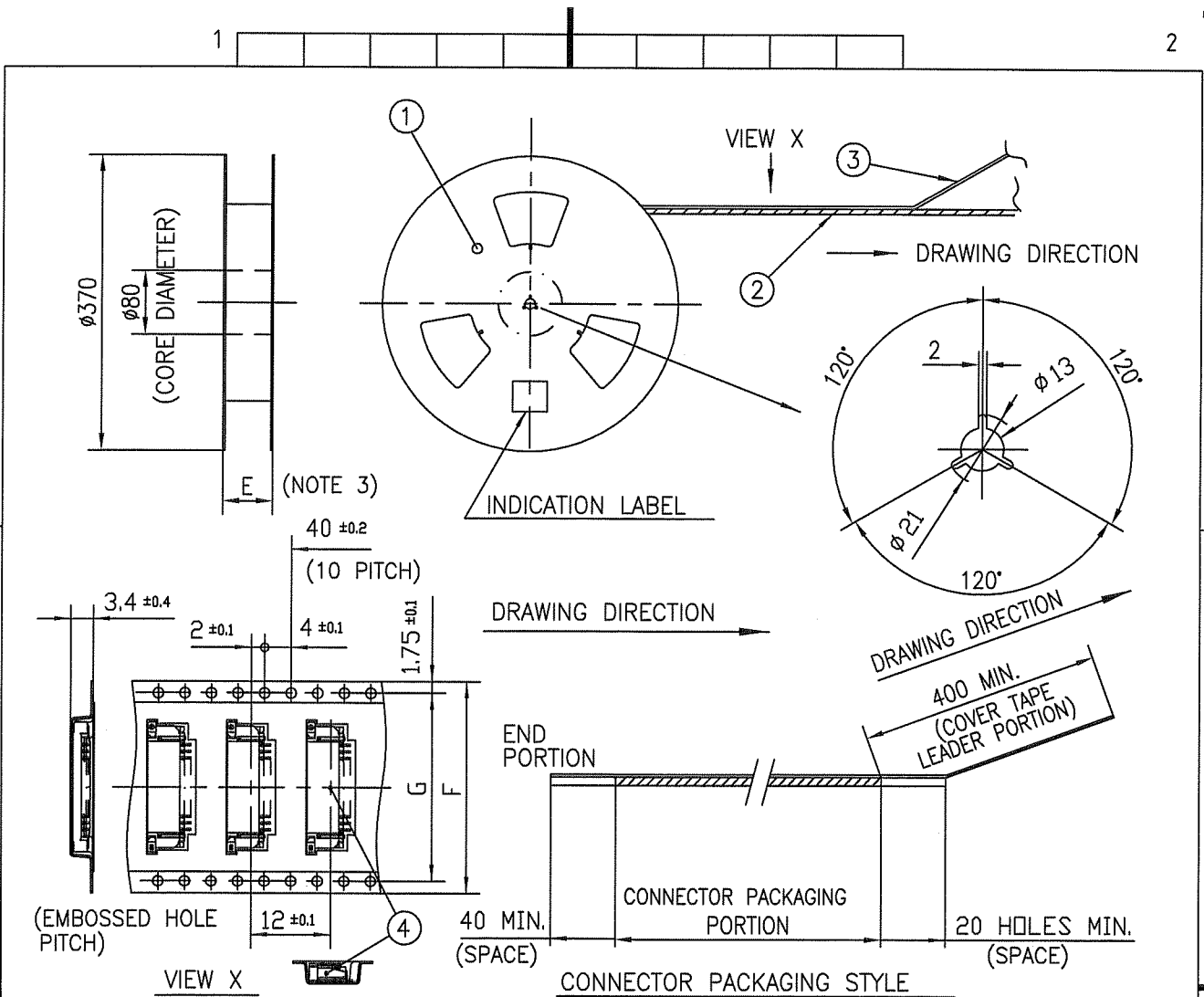
PT. NO.	PARTS NAME	CAT. NO.	MATERIAL	Q'TY	NOTE
1	REEL	_____	CARDBOARD	1	COLOR:WHITE
2	PLASTIC (EMBOSS) TAPE	_____	PET	_____	COLOR:TRANSPARENCY
3	COVER	_____	POLYESTER	_____	COLOR:TRANSPARENCY
4	CONNECTOR	SFW_R-3STA_LF	SEE ATTACHED DWG.	2000	LOWER CONTACT TYPE

NOTES

1. THIS IS PLASTIC TAPE PACKAGED CONNECTOR WITH CABLE LOCK MECHANISM USED FOR FPC AND COPEs WITH AUTOMATIC MOUNTING (SMT).
2. SEE JIS C 0806 (PACKING OF ELECTRONIC COMPONENTS ON CONTINUOUS TAPES (SURFACE MOUNTING DEVICES)) FOR SHAPE AND DIMENSIONS OF PLASTIC (EMBOSS) TAPE AND REEL.
3. E DIMENSION IS PORTION OF THE CORE.

mat'l. code		surface ISO 1302 <input checked="" type="checkbox"/>		tolerance ISO 406 <input checked="" type="checkbox"/>		projection		product family 58RF		CODE JP	
ltr	ecn no	dr	date	tolerances unless otherwise specified				title PLASTIC TAPE PACKAGED 1mm SPACING SMT CONNECTOR (Cat. No. SFW__R-3STAE1LF)			
A	J05-0024	H.T	1/20/05	angles	linear	mm		dwg no JSA 96278 sheet 1 of 1 size A4			
B	J06-0398	H.T	9/26/06	±5'		scale X					
C	J09-0363	M.Y	2009-10-8	±5'				type Product Customer Drawing			
sheet index		revision C		dr H.YAMASHITA 2009-10-8		FCJ		Rev. C			
sheet 1				enr H.YAMASHITA 2009-10-8							
				chr S. Okumura 2009-10-8							
				appd S. Okumura 2009-10-8							

SC-SFW16 JSA96277 form: A4



PT. NO.	PARTS NAME	CAT. NO.	MATERIAL	Q'TY	NOTE
1	REEL	—	CARDBOARD	1	COLOR:WHITE
2	PLASTIC (EMBOSS) TAPE	—	PET	—	COLOR:TRANSPARENCY
3	COVER	—	POLYESTER	—	COLOR:TRANSPARENCY
4	CONNECTOR	SFW__R-4STA_LF	SEE ATTACHED DWG.	2000	UPPER CONTACT TYPE

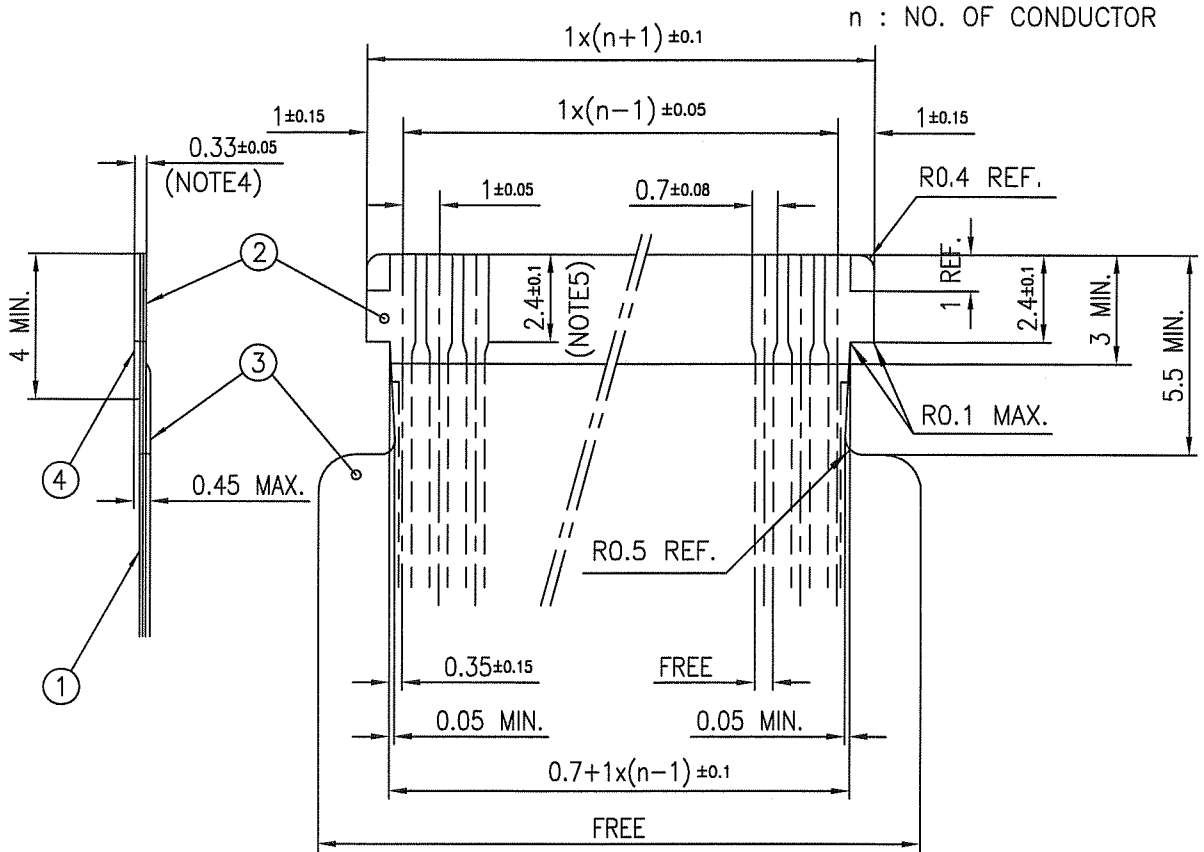
NOTES

1. THIS IS PLASTIC TAPE PACKAGED CONNECTOR WITH CABLE LOCK MECHANISM USED FOR FPC AND COPEs WITH AUTOMATIC MOUNTING (SMT).
2. SEE JIS C 0806 (PACKING OF ELECTRONIC COMPONENTS ON CONTINUOUS TAPES (SURFACE MOUNTING DEVICES)) FOR SHAPE AND DIMENSIONS OF PLASTIC (EMBOSS) TAPE AND REEL.
3. E DIMENSION IS PORTION OF THE CORE.

mat'l. code		surface ISO 1302 <input checked="" type="checkbox"/>		tolerance ISO 406 <input checked="" type="checkbox"/>		projection		product family 58RF		CODE JP	
ltr ecn no dr date		tolerances, unless otherwise specified		angles linear		mm		title PLASTIC TAPE PACKAGED 1mm SPACING SMT CONNECTOR (Cat. No. SFW__R-4STAE1LF)			
A	J05-0024	H.T	1/20/05	±5		mm		dwg no sheet 1 of 1 size JSA 96279 A4			
B	J06-0398	H.T	9/26/06	±5'		scale X					
C	J09-0363	M.Y	2009-10-8	±5'		scale X		type Product Customer Drawing			
sheet index		revision C		dr H.YAHASHITA 2009-10-8		enr H.YAHASHITA 2009-10-8		chr S. W. K. 2009-10-8		appd S. Chikuma 2009-10-8	
sheet 1		revision C								Rev. C	

SC-SFW16 JSA96277 Form: A4

RECOMMENDED CABLE (FPC)



PT. NO.	PARTS NAME	MATERIAL	THICKNESS (um)
1	BASE FILM	POLYIMIDE OR POLYESTER OR EQUAL	25
2	CONDUCTOR	COPPER FOIL(PLATING : GOLD)	35
3	OVERLAY	POLYIMIDE OR POLYESTER OR EQUAL	—
4	SUPPORTING TAPE	POLYESTER OR POLYIMIDE OR EQUAL	188

NOTES

1. THIS DRAWING INDICATES THE FPC USED THE CONNECTOR WITH CABLE LOCK MECHANISM.
2. NO BURR AT EACH PORTION.
3. NO PEELING IN COMMON USE.
4. TOTAL THICKNESS LIMIT OF EACH MATERIAL (INCLUDING ADHESIVE AGENT) IS SPECIFIED.
5. THIS DIMENSION INDICATES THE RANGE FOR 0.7 ±0.08 CONDUCTOR WIDTH.

mat'l. code		surface 58 / tolerance ISO 1302 ✓ / ISO 406 / ISO 1101		projection		product family 58RF		CODE JP	
ltr ecn no dr date		tolerances unless otherwise specified		mm		title			
A J05-0024 H.T 1/20/05		angles linear		mm		RECOMMENDED CABLE			
B J06-0398 H.T 9/26/06				mm		(Cat. No. SFW__R-3/4STA__)			
C J09-0363 M.Y 2009-10-8				scale X		dwg no		sheet 1 of 1 size	
		dr H. YAMASHITA 2009-10-8		FCJ		JSA 96280		A4	
		enr H. YAMASHITA 2009-10-8				type Product Customer Drawing			
		chr S. Nakamura 2009-10-8							
		appd S. Nakamura 2009-10-8							
sheet index		revision C						Rev. C	
sheet 1		1						D	

Компания «Океан Электроники» предлагает заключение долгосрочных отношений при поставках импортных электронных компонентов на взаимовыгодных условиях!

Наши преимущества:

- Поставка оригинальных импортных электронных компонентов напрямую с производств Америки, Европы и Азии, а так же с крупнейших складов мира;
- Широкая линейка поставок активных и пассивных импортных электронных компонентов (более 30 млн. наименований);
- Поставка сложных, дефицитных, либо снятых с производства позиций;
- Оперативные сроки поставки под заказ (от 5 рабочих дней);
- Экспресс доставка в любую точку России;
- Помощь Конструкторского Отдела и консультации квалифицированных инженеров;
- Техническая поддержка проекта, помощь в подборе аналогов, поставка прототипов;
- Поставка электронных компонентов под контролем ВП;
- Система менеджмента качества сертифицирована по Международному стандарту ISO 9001;
- При необходимости вся продукция военного и аэрокосмического назначения проходит испытания и сертификацию в лаборатории (по согласованию с заказчиком);
- Поставка специализированных компонентов военного и аэрокосмического уровня качества (Xilinx, Altera, Analog Devices, Intersil, Interpoint, Microsemi, Actel, Aeroflex, Peregrine, VPT, Syfer, Eurofarad, Texas Instruments, MS Kennedy, Miteq, Cobham, E2V, MA-COM, Hittite, Mini-Circuits, General Dynamics и др.);

Компания «Океан Электроники» является официальным дистрибьютором и эксклюзивным представителем в России одного из крупнейших производителей разъемов военного и аэрокосмического назначения «JONHON», а так же официальным дистрибьютором и эксклюзивным представителем в России производителя высокотехнологичных и надежных решений для передачи СВЧ сигналов «FORSTAR».



JONHON

«JONHON» (основан в 1970 г.)

Разъемы специального, военного и аэрокосмического назначения:

(Применяются в военной, авиационной, аэрокосмической, морской, железнодорожной, горно- и нефтедобывающей отраслях промышленности)

«FORSTAR» (основан в 1998 г.)

ВЧ соединители, коаксиальные кабели,
кабельные сборки и микроволновые компоненты:

(Применяются в телекоммуникациях гражданского и специального назначения, в средствах связи, РЛС, а так же военной, авиационной и аэрокосмической отраслях промышленности).



Телефон: 8 (812) 309-75-97 (многоканальный)

Факс: 8 (812) 320-03-32

Электронная почта: ocean@oceanchips.ru

Web: <http://oceanchips.ru/>

Адрес: 198099, г. Санкт-Петербург, ул. Калинина, д. 2, корп. 4, лит. А