

AS7620 Evaluation Board

500mA Hysteretic High Voltage Step-Down Converter with Dual Power Monitor

DemoBoard Data Sheet

1 General Description

A demonstration board is available to test AS7620 functionalities and performance in a standard application.

Default conditions are $V_{IN}=24V$ and $V_{OUT}=5V$, but in principle the input voltage can range from 5V to 32V.

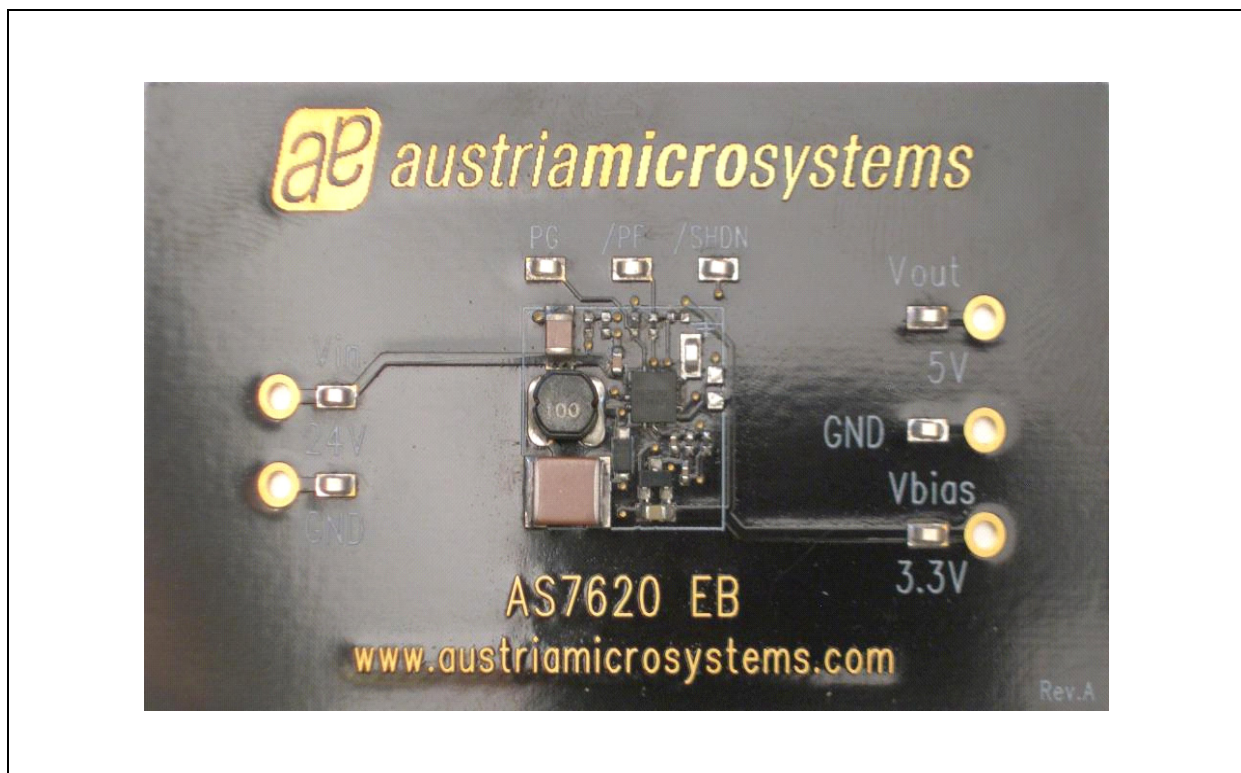
While the AS7620 output voltage can range from 1.2V to V_{IN} , the demonstration board upper output voltage limitation is 15V.

The output voltage can be easily adjusted using the 0805-sized output resistor divider pads on the back of the evaluation board.

2 Key Features

- Convenient test point loops for input, output, shutdown and power monitor flags
- High Voltage ceramic capacitor for output voltages of up to 15V
- Micro-power LDO generates 3.3V for flag outputs, supplies up to 250mA
- Single-sided assembly allows convenient backside access for modification
- Large-size 0805 parallel pads for all configuration resistors
- Alternate landing pads for output inductor and capacitor
- Quiet GND probe point minimizes GND loop area and noise

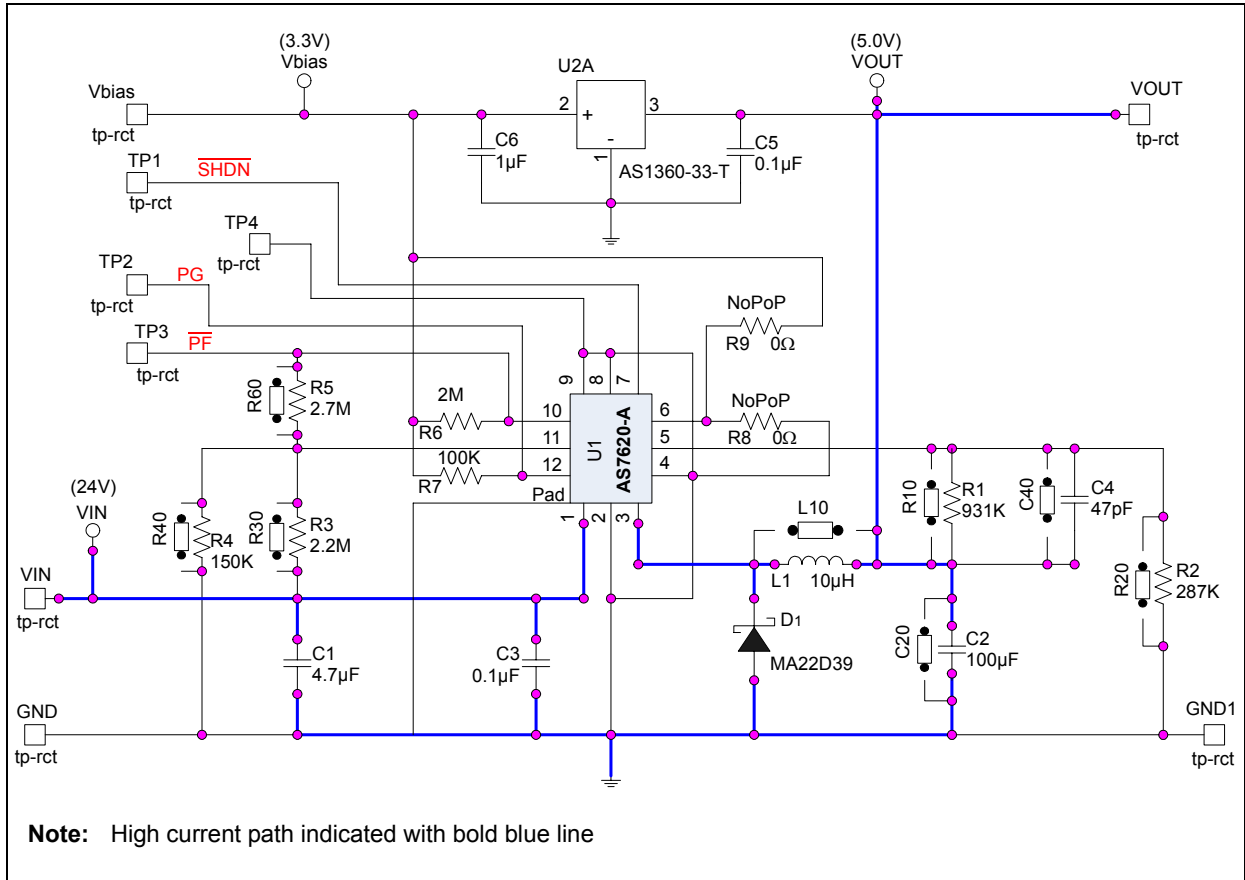
Figure 1. Demo Board Photograph



3 Schematic & BOM

In Figure 2, the bold lines indicate high current paths. Components placed on both TOP and BOTTOM side are highlighted in the schematic.

Figure 2. Schematic and BOM



4 Layout & Component Placement

The layout must be drawn properly in order to minimize the noise, which can affect the behaviour of the converter itself and/or other electronic stages located nearby. The following high current path can be identified:

1. Input Power
2. Output Power
3. GND
4. Switching node (LX)

In order to maximize the efficiency and minimize the noise generated by pulsed currents, the above traces must be as wide and short as possible. Special attention must be paid when positioning the FB trace, which will carry the output voltage information into the device. The FB trace must be away from the switching node and, possibly, shielded by a GND trace in between.

Figure 3. Layout TOP Side

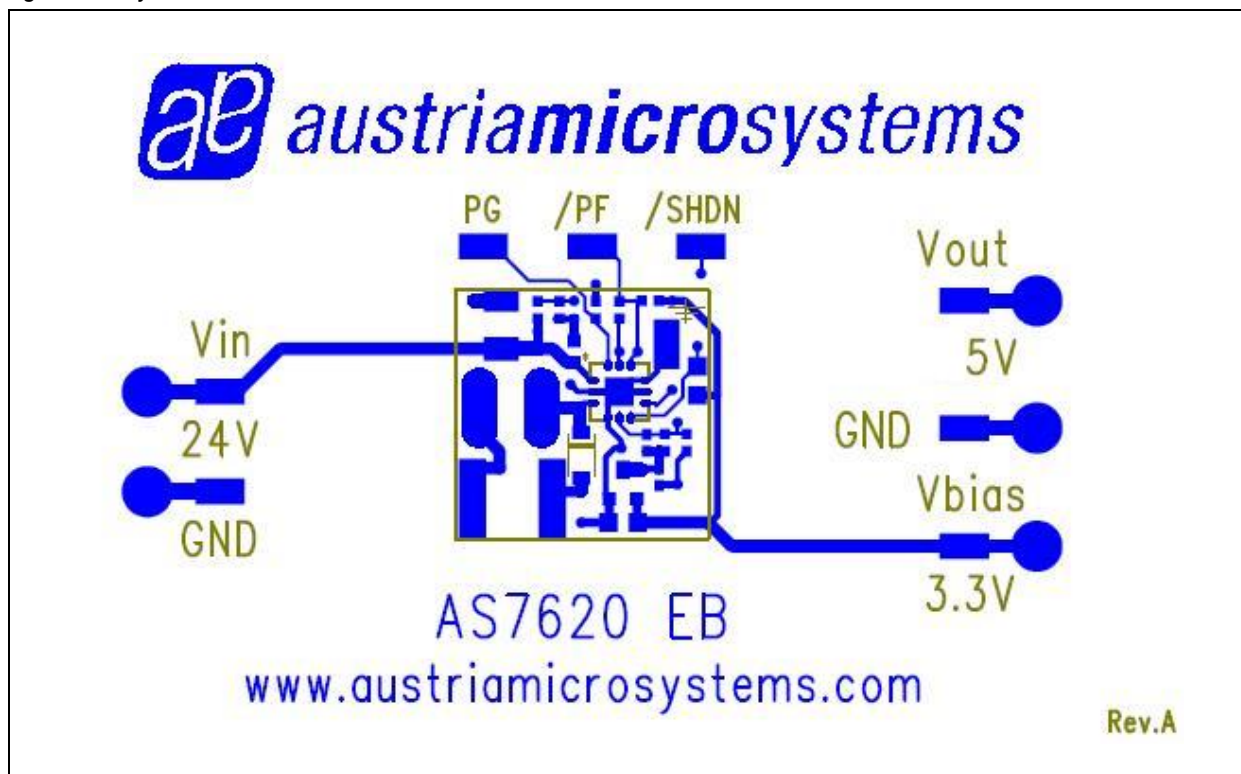
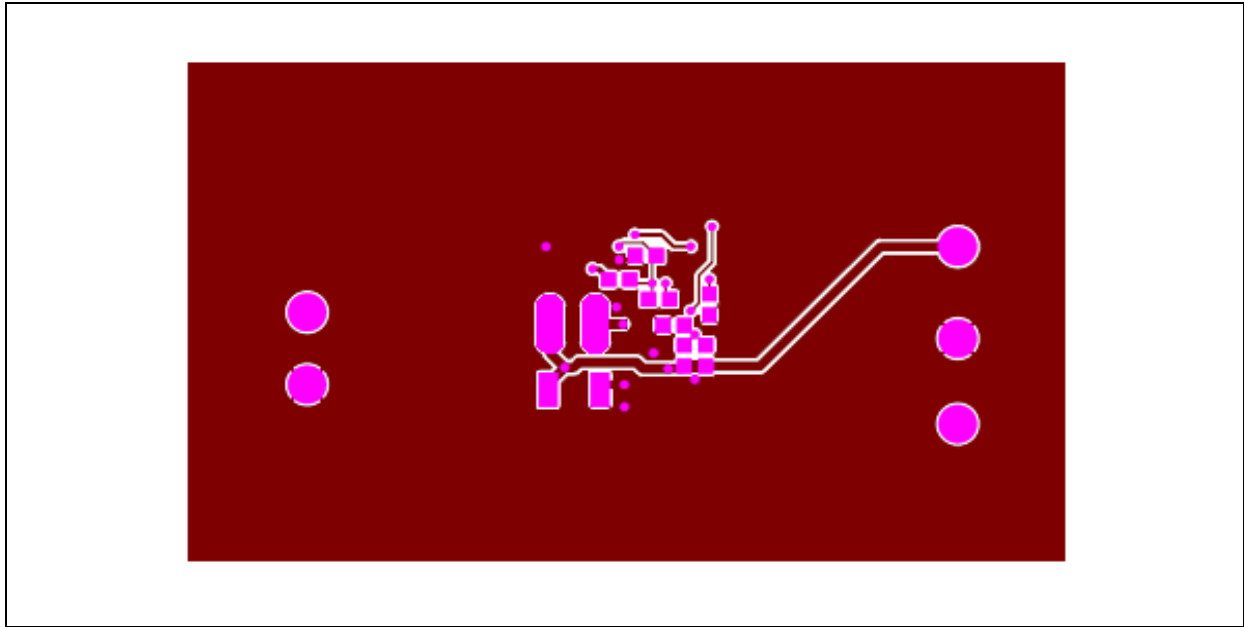


Figure 4. Layout BOTTOM Side

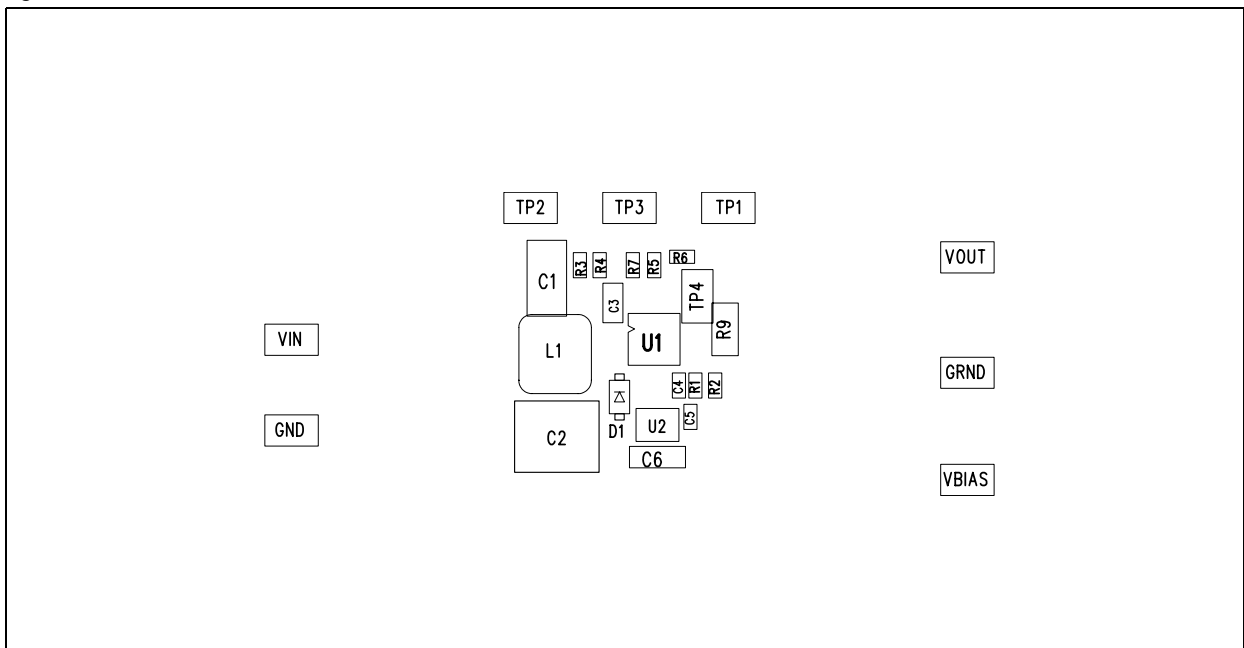


All components that are changing the operating characteristics of the AS7620 have optional parallel access pads on the back-side. Larger size 0805 surface mount resistors and capacitors can be soldered in parallel to the default components. Output capacitor and inductor also have mirrored pads to more conveniently change the component value. With the default resistor still in place, the effective resistor value is calculated as follows:

$$(1/R_{eff} = \frac{1}{R} + \frac{1}{R^1}) \text{ or } R_{eff} = \frac{R \cdot R^1}{R + R^1} \quad (EQ 1)$$

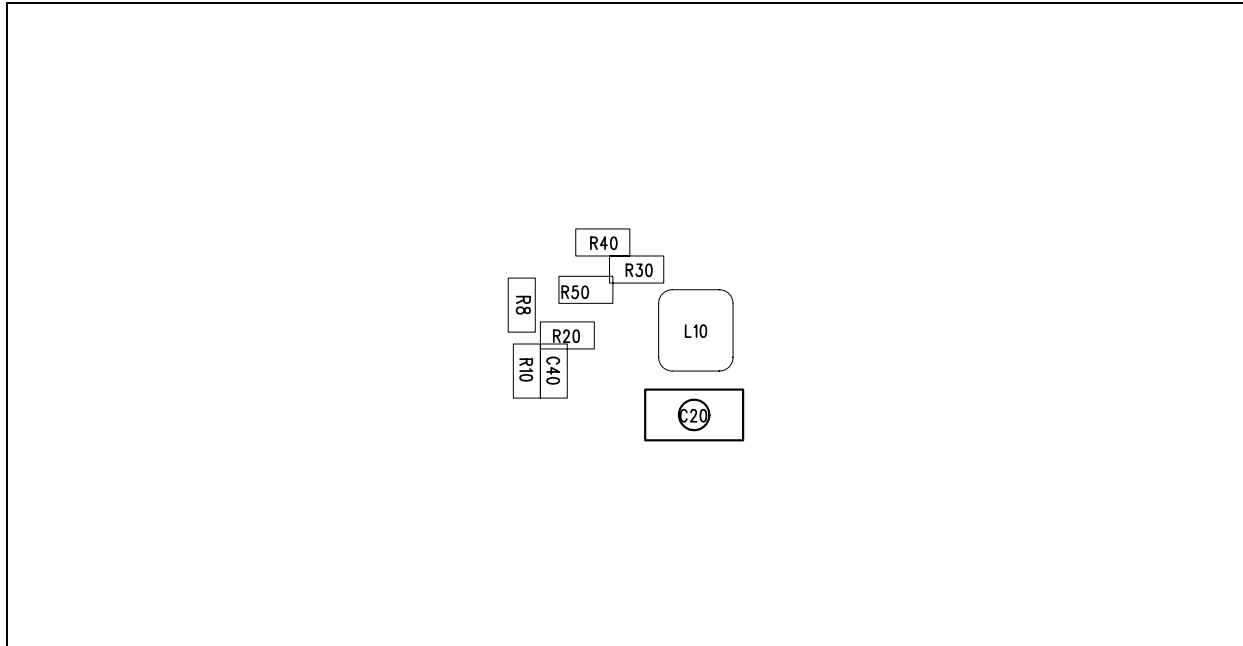
The schematic identifies optional parallel components with a 'zero' added to the component index, for example R10 is in parallel to R1. Additionally, the access pads may be used to probe certain nodes in the circuit that are not already connected to a test point.

Figure 5. Placement TOP



Testing switch-mode converters requires attention to probe placement, in particular GND connections. It is best practice to use the most sensitive GND connection as a single point GND reference. Pin 4 of the AS7620 is the recommended GND connection and TP4 has been located very close to it to minimize GND loop currents. Because of high-frequency content of the switching frequencies, it is best to use a short GND strap connected closely to the probe pin and connect it to TP4, which is labelled with a GND symbol on the front.

Figure 6. Placement BOTTOM



Bias Voltage

A stable 3.3V derived from V_{OUT} by the 'austriamicrosystems' ultra-low power linear regulator (AS1360) is available on board to pull up the PGOOD, PF and ILIM pin. In general those pins can accept a pull up voltage up to 3.6V. V_{bias} is accessible by the related terminal on the board. The AS1360 delivers up to 250mA and therefore can also be used to post-regulate the output voltage of the AS7620, effectively removing ripple voltage and hysteretic switching artefacts. Please consult the AS1360 datasheet for optimizing the output voltage of the AS7620 to accommodate the drop-out voltage of the AS1360 for most efficient power conversion performance.

Power Good

The PG output comes outside with a dedicated terminal on the board. If the output voltage is not lower than 93% (typ) of the set point, the internal open drain will be off.

Early Power Fail

The input voltage is monitored by the V_{EPF} pin and a dedicated flag (PF active low) is provided outside. The status of PF depends on the programmed threshold and hysteresis. [Table 1](#) provides the resistors values covering all the standard input BUS. The resistors values are 1% commercial values. It is mandatory to use the correct resistors values to guarantee the respect of maximum absolute voltages at EPF and PF pin. V_{DD} has been considered 3.3V.

Terminology:

VRST: Reset voltage for the EPF. It is 90% of the Input BUS voltage.

VTRIP: Trip voltage for the EPF. It is 80% of the Input BUS voltage.

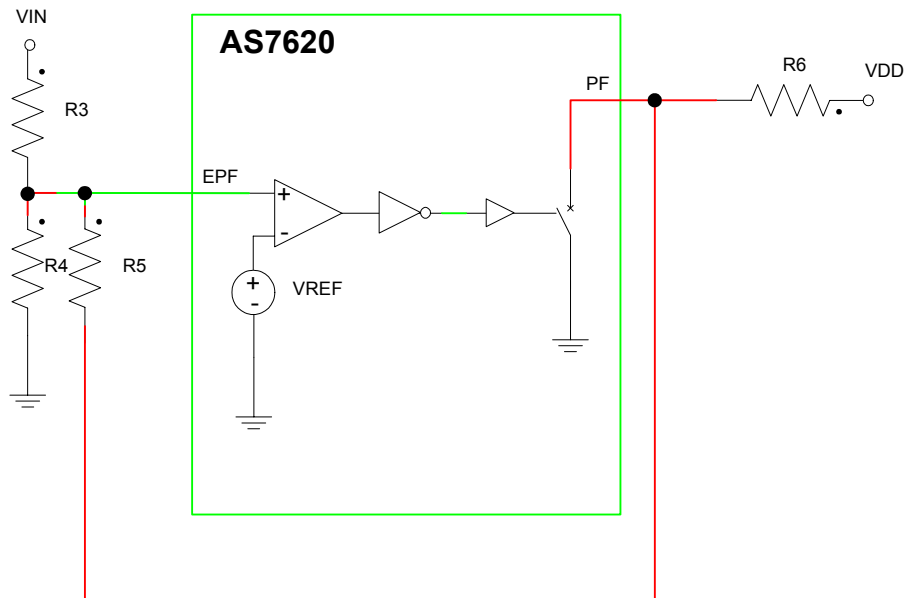


Table 1. EPF Network Selection with Different Input BUS

V _{IN} (V)	VR _{ST} (V)	V _{TRIP} (V)	R ₃ (KΩ)	R ₄ (KΩ)	R ₅ (KΩ)	R ₆ (KΩ)
5	4.5	4	365	143	1740	1370
6	5.4	4.8	464	143	1870	1430
9	8.1	7.2	768	140	2050	1580
12	10.8	9.6	1070	140	2100	1650
15	13.5	12	1370	140	2150	1690
20	18	16	1870	140	2210	1740
24	21.6	19.2	2260	140	2260	1740
28	25.3	22.5	2670	140	2260	1740

Shut Down

This terminal is connected directly to the related pin of the device. Shorting it to GND shuts down the converter. The shutdown pin is internally pulled up and it is recommended to not use any external pull up to avoid conflict and prevent damage to the device.

Output Voltage Selection

To change the output voltage, R1 and/or R2 have to be changed. The output voltage will be set according to the following formula:

$$V_{OUT} = V_{REF} \cdot \left(1 + \frac{R1}{R2}\right) \tag{EQ 2}$$

Setting V_{OUT} higher than 15V requires replacement of the output capacitor with the one that is rated above the desired output voltage maximum. Presently a 100µF 16V ceramic capacitor is employed.

Current Limit

The current is sensed during the on time of the internal PMOS. Three different current limit thresholds can be selected by the ILIM pin:

- 240mA (typ.) ILIM shorted to GND
- 720mA (typ.) ILIM shorted to V_{OUT} (from 1.5V to 3.6V)
- 1000mA (typ.) ILIM Floating

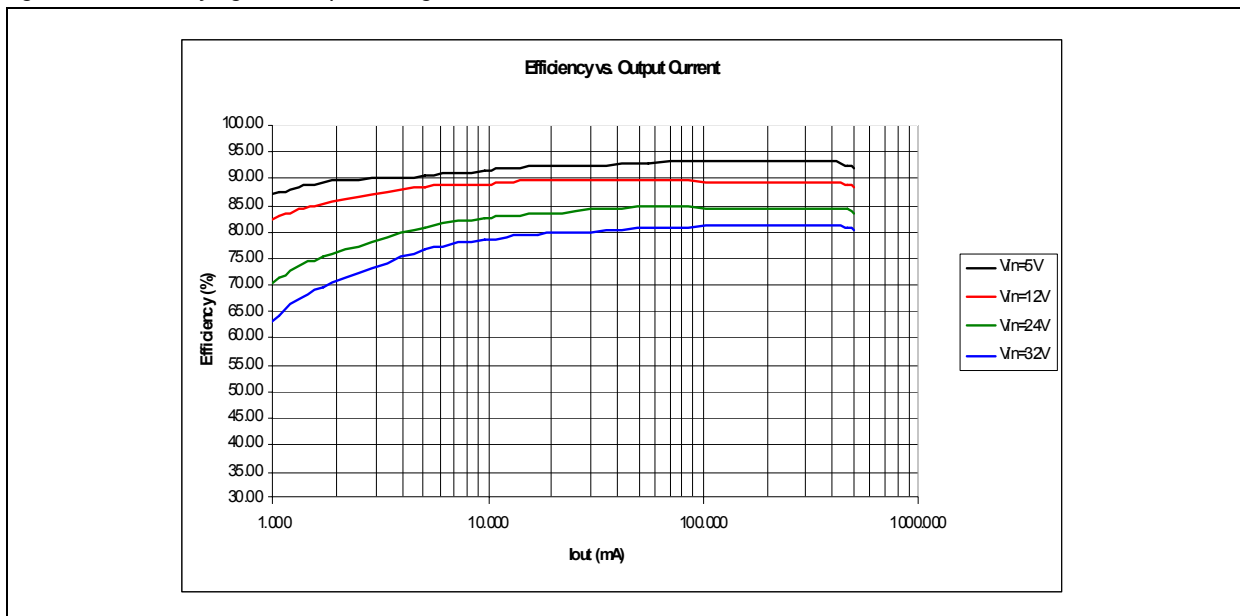
This threshold is intended as peak current limit. If the current reaches the threshold during the on time, the PMOS is turned off. The PMOS will be turned on again only when the current approaches 0A and the feedback voltage is equal or lower than V_{REF}. The maximum output current is ILIM/2. Note that the second setting (720mA) has a significant input voltage dependency. Input voltages significantly lower than 24V will reduce the peak current limit. It ranges from 360mA (typ.) at 5V input to 940mA (typ.) at 32V input. Maximum and minimum current limit settings have lesser input voltage sensitivity. Please refer to the product datasheet for Figure 7-Current Limit Threshold vs. V_{IN}.

Using the minimum current limit that allows the maximum desired output current, reduces inductor size and cost. Inductors lose their inductance on exceeding their saturation current. Hence, always employ inductors with a higher saturation current rating than the AS7620 current limit setting and not the average output current.

Efficiency

The hysteretic control loop allows to achieve extremely high efficiency even at very light load.

Figure 7. Efficiency figure. Output voltage 5V.



Copyrights

Copyright © 1997-2008, austriamicrosystems AG, Schloss Premstaetten, 8141 Unterpremstaetten, Austria-Europe. Trademarks Registered ®. All rights reserved. The material herein may not be reproduced, adapted, merged, translated, stored, or used without the prior written consent of the copyright owner.

All products and companies mentioned are trademarks or registered trademarks of their respective companies.

Disclaimer

Devices sold by austriamicrosystems AG are covered by the warranty and patent indemnification provisions appearing in its Term of Sale. austriamicrosystems AG makes no warranty, express, statutory, implied, or by description regarding the information set forth herein or regarding the freedom of the described devices from patent infringement. austriamicrosystems AG reserves the right to change specifications and prices at any time and without notice. Therefore, prior to designing this product into a system, it is necessary to check with austriamicrosystems AG for current information. This product is intended for use in normal commercial applications. Applications requiring extended temperature range, unusual environmental requirements, or high reliability applications, such as military, medical life-support or life-sustaining equipment are specifically not recommended without additional processing by austriamicrosystems AG for each application. For shipments of less than 100 parts the manufacturing flow might show deviations from the standard production flow, such as test flow or test location.

The information furnished here by austriamicrosystems AG is believed to be correct and accurate. However, austriamicrosystems AG shall not be liable to recipient or any third party for any damages, including but not limited to personal injury, property damage, loss of profits, loss of use, interruption of business or indirect, special, incidental or consequential damages, of any kind, in connection with or arising out of the furnishing, performance or use of the technical data herein. No obligation or liability to recipient or any third party shall arise or flow out of austriamicrosystems AG rendering of technical or other services.



Contact Information

Headquarters

austriamicrosystems AG
A-8141 Schloss Premstaetten, Austria

Tel: +43 (0) 3136 500 0
Fax: +43 (0) 3136 525 01

For Sales Offices, Distributors and Representatives, please visit:

<http://www.austriamicrosystems.com/contact>

Компания «Океан Электроники» предлагает заключение долгосрочных отношений при поставках импортных электронных компонентов на взаимовыгодных условиях!

Наши преимущества:

- Поставка оригинальных импортных электронных компонентов напрямую с производств Америки, Европы и Азии, а так же с крупнейших складов мира;
- Широкая линейка поставок активных и пассивных импортных электронных компонентов (более 30 млн. наименований);
- Поставка сложных, дефицитных, либо снятых с производства позиций;
- Оперативные сроки поставки под заказ (от 5 рабочих дней);
- Экспресс доставка в любую точку России;
- Помощь Конструкторского Отдела и консультации квалифицированных инженеров;
- Техническая поддержка проекта, помощь в подборе аналогов, поставка прототипов;
- Поставка электронных компонентов под контролем ВП;
- Система менеджмента качества сертифицирована по Международному стандарту ISO 9001;
- При необходимости вся продукция военного и аэрокосмического назначения проходит испытания и сертификацию в лаборатории (по согласованию с заказчиком);
- Поставка специализированных компонентов военного и аэрокосмического уровня качества (Xilinx, Altera, Analog Devices, Intersil, Interpoint, Microsemi, Actel, Aeroflex, Peregrine, VPT, Syfer, Eurofarad, Texas Instruments, MS Kennedy, Miteq, Cobham, E2V, MA-COM, Hittite, Mini-Circuits, General Dynamics и др.);

Компания «Океан Электроники» является официальным дистрибьютором и эксклюзивным представителем в России одного из крупнейших производителей разъемов военного и аэрокосмического назначения «JONHON», а так же официальным дистрибьютором и эксклюзивным представителем в России производителя высокотехнологичных и надежных решений для передачи СВЧ сигналов «FORSTAR».



JONHON

«JONHON» (основан в 1970 г.)

Разъемы специального, военного и аэрокосмического назначения:

(Применяются в военной, авиационной, аэрокосмической, морской, железнодорожной, горно- и нефтедобывающей отраслях промышленности)

«FORSTAR» (основан в 1998 г.)

ВЧ соединители, коаксиальные кабели,
кабельные сборки и микроволновые компоненты:

(Применяются в телекоммуникациях гражданского и специального назначения, в средствах связи, РЛС, а так же военной, авиационной и аэрокосмической отраслях промышленности).



Телефон: 8 (812) 309-75-97 (многоканальный)

Факс: 8 (812) 320-03-32

Электронная почта: ocean@oceanchips.ru

Web: <http://oceanchips.ru/>

Адрес: 198099, г. Санкт-Петербург, ул. Калинина, д. 2, корп. 4, лит. А