

VSC3312-01

8.5 Gbps 12x12 Crosspoint Switch

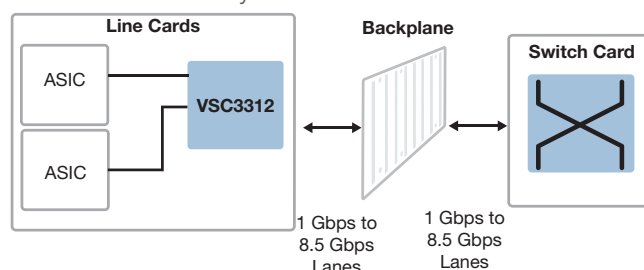
The VSC3312-01 is a 12-port 8.5 Gbps asynchronous switch with advanced signal equalization designed for high-speed serial backplanes and cable interconnect applications. VSC3312-01 switches allow multicast, loopback, and reconfigurable Input/Output (I/O) capability for great flexibility in allocating and routing signals in a broad range of applications. The VSC3312-01 includes dual time-constant equalization, which significantly reduces jitter associated with driving multigigabit signals across backplanes and cables. A fully asynchronous architecture allows any data rate or protocol on any channel without the need for an external reference clock. This gives the VSC3312-01 wire-like interoperability in virtually any application that uses binary signaling. The VSC3312-01 can also be used as a buffer that simplifies and enhances the design of high-speed signal paths by providing signal equalization at both inputs and outputs to reduce or reverse signal degradation due to transmission line effects.

The VSC3312-01 has a total of 24 ports. Eight are dedicated inputs, eight are dedicated outputs, and the remaining eight may be configured as either inputs or outputs without restriction. This design provides the flexibility of using the device as a standard 12x12 crosspoint, or any ratio from 8x16 to 16x8. This unique feature allows full I/O utilization in any application that has less than a 2:1 ratio between inputs and outputs. In many cases, this translates to a significant reduction in chip count. Featuring programmable input signal equalization and output pre-emphasis, each with multiple time constants, the VSC3312-01 is also ideal for countering signal degradation over a wide variety of transmission media types and lengths.

Typical power consumption for the device is 160 mW per active channel, and unused channels may be deactivated to save the power associated with those ports. The output drivers for the VSC3312-01 also feature a wide supply voltage range (from 1.8 V to 3.3 V) that allows flexibility in matching the output swing to application requirements.

The VSC3312-01 has a LOS detector with programmable thresholds on every input port. The LOS status can be made to appear at either of two status pins for external use. The LOS signal can also be switched to each of the outputs in concert with the high-speed switching core. LOS forwarding can be enabled for each of the outputs, which will cause the outputs to be squelched in response to a LOS detect at the corresponding input, thereby propagating signal envelopes through the switch.

Programming of the VSC3312-01 is through a standard two-wire serial interface. The interface address can be hardwired through static pins or through a proprietary two-pin interface that allows for address selection after power-up. All pin functions such as Config, ResetB, and Status pin states are also accessible through registers to ensure maximum flexibility.



Applications

- Wideband signal switching and clean-up
- Line driver or receiver
- Backplane signal fanout, driver, or receiver
- Copper cable driver or receiver
- PCB signal enhancement

Specifications

- 8.5 Gbps non-return-to-zero (NRZ) per-channel data rate
- 2.5 V core, 1.8 V, 2.5 V, and 3.3 V high-speed I/O
- 3.2 W maximum at 3.3 V, or 2.4 W at 2.5 V, or 2 W at 1.8 V

VSC3312-01

8.5 Gbps 12x12 Crosspoint Switch

Features

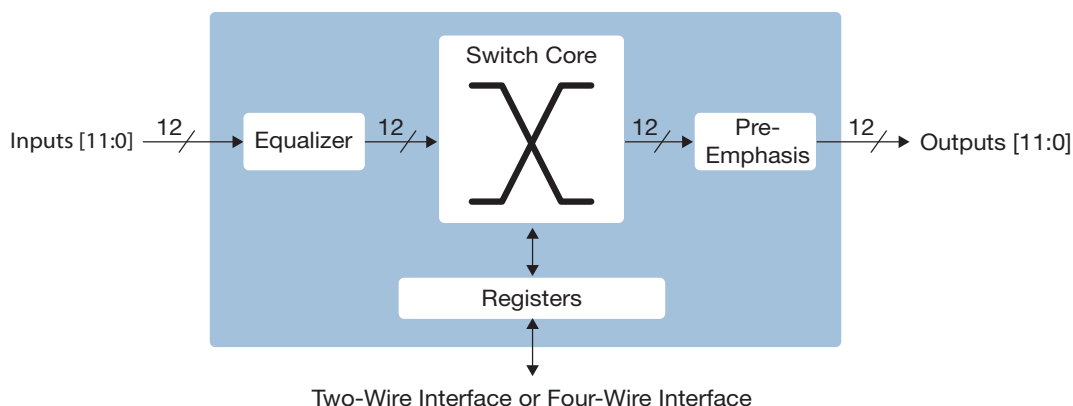
- 8.5 Gbps NRZ data bandwidth
- Fully non-blocking and multicasting switch core with per-pin signal inversion capability
- Multiple time-constant programmable input and output equalization
- Wide equalization adjustment range
- Fully asynchronous operation with <1 ns latency
- Reconfigurable I/O capability
- LOS detection and forwarding

Benefits

- Transparent support for virtually all data rates and protocols
- Allows complete flexibility in routing and distributing signals
- Compensates for multiple impairments in a signal path
- Supports all types of interconnect media: PCB, backplanes, and cable
- No adjustments based on data rate or reference clock required
- Customize the I/O to the application
- OOB forwarding for protocols like SAS and SATA

Related Products

Visit www.microsemi.com for information about other related products.



Microsemi Corporate Headquarters
 One Enterprise, Aliso Viejo, CA 92656 USA
 Within the USA: +1 (800) 713-4113
 Outside the USA: +1 (949) 380-6100
 Sales: +1 (949) 380-6136
 Fax: +1 (949) 215-4996
 email: sales.support@microsemi.com
www.microsemi.com

Microsemi Corporation (Nasdaq: MSCC) offers a comprehensive portfolio of semiconductor and system solutions for communications, defense and security, aerospace, and industrial markets. Products include high-performance and radiation-hardened analog mixed-signal integrated circuits, FPGAs, SoCs, and ASICs; power management products; timing and synchronization devices and precise time solutions; voice processing devices; RF solutions; discrete components; enterprise storage and communications solutions, security technologies, and scalable anti-tamper products; Ethernet solutions; Power-over-Ethernet ICs and midspans; custom design capabilities and services. Microsemi is headquartered in Aliso Viejo, California, and has approximately 4,800 employees worldwide. Learn more at www.microsemi.com.

Компания «Океан Электроники» предлагает заключение долгосрочных отношений при поставках импортных электронных компонентов на взаимовыгодных условиях!

Наши преимущества:

- Поставка оригинальных импортных электронных компонентов напрямую с производств Америки, Европы и Азии, а так же с крупнейших складов мира;
- Широкая линейка поставок активных и пассивных импортных электронных компонентов (более 30 млн. наименований);
- Поставка сложных, дефицитных, либо снятых с производства позиций;
- Оперативные сроки поставки под заказ (от 5 рабочих дней);
- Экспресс доставка в любую точку России;
- Помощь Конструкторского Отдела и консультации квалифицированных инженеров;
- Техническая поддержка проекта, помощь в подборе аналогов, поставка прототипов;
- Поставка электронных компонентов под контролем ВП;
- Система менеджмента качества сертифицирована по Международному стандарту ISO 9001;
- При необходимости вся продукция военного и аэрокосмического назначения проходит испытания и сертификацию в лаборатории (по согласованию с заказчиком);
- Поставка специализированных компонентов военного и аэрокосмического уровня качества (Xilinx, Altera, Analog Devices, Intersil, Interpoint, Microsemi, Actel, Aeroflex, Peregrine, VPT, Syfer, Eurofarad, Texas Instruments, MS Kennedy, Miteq, Cobham, E2V, MA-COM, Hittite, Mini-Circuits, General Dynamics и др.);

Компания «Океан Электроники» является официальным дистрибьютором и эксклюзивным представителем в России одного из крупнейших производителей разъемов военного и аэрокосмического назначения «JONHON», а так же официальным дистрибьютором и эксклюзивным представителем в России производителя высокотехнологичных и надежных решений для передачи СВЧ сигналов «FORSTAR».



JONHON

«JONHON» (основан в 1970 г.)

Разъемы специального, военного и аэрокосмического назначения:

(Применяются в военной, авиационной, аэрокосмической, морской, железнодорожной, горно- и нефтедобывающей отраслях промышленности)

«FORSTAR» (основан в 1998 г.)

ВЧ соединители, коаксиальные кабели, кабельные сборки и микроволновые компоненты:

(Применяются в телекоммуникациях гражданского и специального назначения, в средствах связи, РЛС, а так же военной, авиационной и аэрокосмической отраслях промышленности).



Телефон: 8 (812) 309-75-97 (многоканальный)

Факс: 8 (812) 320-03-32

Электронная почта: ocean@oceanchips.ru

Web: <http://oceanchips.ru/>

Адрес: 198099, г. Санкт-Петербург, ул. Калинина, д. 2, корп. 4, лит. А