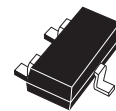




Features

- Precision monitoring of 3 V, 3.3 V, and 5 V supply voltages
- Open drain $\overline{\text{RST}}$ output
- 30 ms or 140 ms reset pulse width (min)
- Low supply current - 6 μA (typ)
- Guaranteed $\overline{\text{RST}}$ assertion down to $V_{\text{CC}} = 1.0 \text{ V}$
- Operating temperature:
 - $-40 \text{ }^\circ\text{C}$ to $85 \text{ }^\circ\text{C}$ (industrial grade)
- Lead-free, small SOT23 package



SOT23-3 (WX)

Contents

1	Description	5
2	Operation	7
	2.1 Reset output	7
	2.2 Negative-going V_{CC} transients	7
3	Typical operating characteristics	8
4	Maximum ratings	11
5	DC and AC parameters	12
6	Package mechanical data	14
7	Part numbering	15
8	Revision history	17

List of tables

Table 1.	Signal names	5
Table 2.	Absolute maximum ratings	11
Table 3.	Operating and AC measurement conditions	12
Table 4.	DC and AC characteristics	13
Table 5.	SOT23-3 – 3-lead small outline transistor package mechanical data.	14
Table 6.	Ordering information scheme	15
Table 7.	Marking description.	16
Table 8.	Document revision history	17

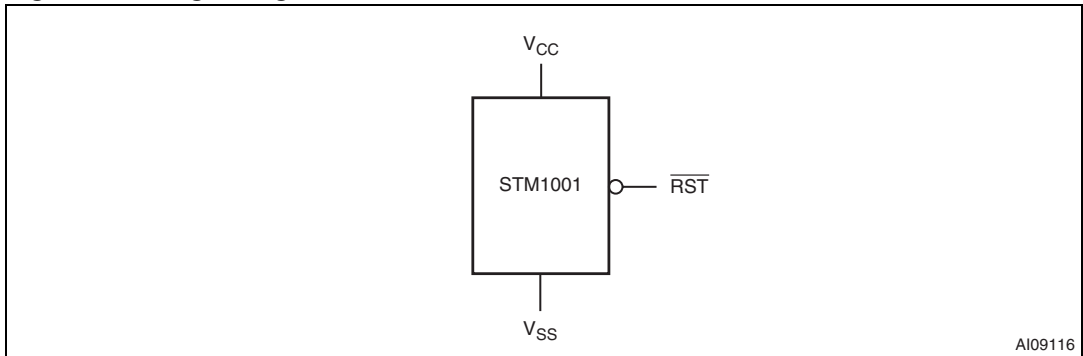
List of figures

Figure 1.	Logic diagram	5
Figure 2.	Connections	5
Figure 3.	Block diagram	6
Figure 4.	Hardware hookup	6
Figure 5.	Supply current vs. temperature, L/M/R/S/T (no load)	8
Figure 6.	Power-down reset delay vs. temperature - $V_{OD} = V_{TH} - V_{CC}$ (L/M)	8
Figure 7.	Power-down reset delay vs. temperature - $V_{OD} = V_{TH} - V_{CC}$ (R/S/T)	9
Figure 8.	Power-up t_{rec} vs. temperature	9
Figure 9.	Normalized reset threshold vs. temperature.	10
Figure 10.	Max transient duration not causing reset pulse vs. reset comparator overdrive.	10
Figure 11.	AC testing input/output waveforms	12
Figure 12.	SOT23-3 – 3-lead small outline transistor package outline	14

1 Description

The STM1001 microprocessor reset circuit is a low-power supervisory device used to monitor power supplies. It performs a single function: asserting a reset signal whenever the V_{CC} supply voltage drops below a preset value and keeping it asserted until V_{CC} has risen above the preset threshold for a minimum period of time (t_{rec}).

Figure 1. Logic diagram

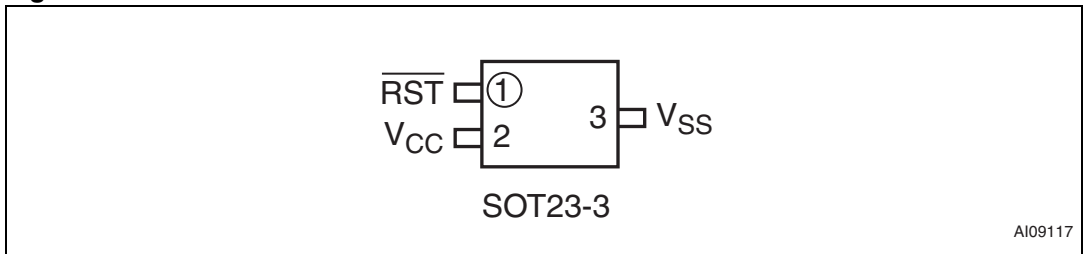


AI09116

Table 1. Signal names

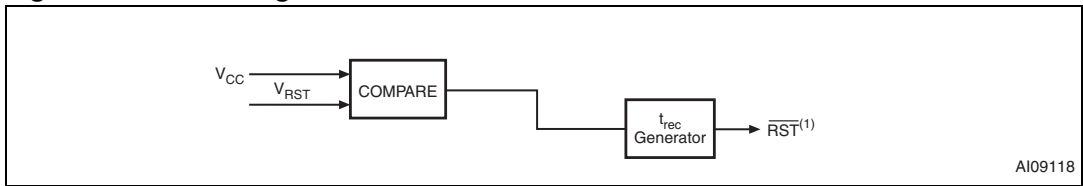
V_{SS}	Ground
RST	Active-low reset output (open drain)
V_{CC}	Supply voltage

Figure 2. Connections



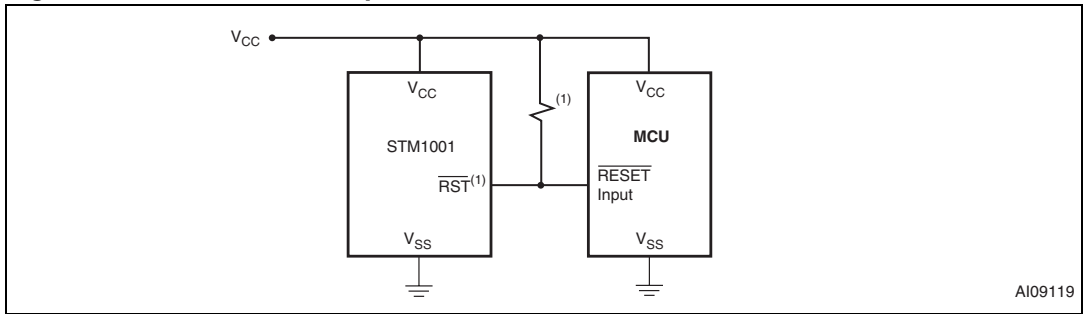
AI09117

Figure 3. Block diagram



- 1. Open drain

Figure 4. Hardware hookup



- 1. $\overline{RST}^{(1)}$ output requires pull-up resistor.

2 Operation

2.1 Reset output

The STM1001 microprocessor reset circuit asserts a reset signal to the MCU whenever V_{CC} goes below the reset threshold (V_{RST}). \overline{RST} is guaranteed valid down to $V_{CC} = 1\text{ V}$ (0° to 70°C).

During power-up, once V_{CC} exceeds the reset threshold an internal timer keeps \overline{RST} low for the reset time-out period, t_{rec} . After this interval, \overline{RST} returns high.

If V_{CC} drops below the reset threshold, \overline{RST} goes low. Each time \overline{RST} is asserted, it stays low for at least the reset time-out period. Any time V_{CC} goes below the reset threshold, the internal timer clears. The reset timer starts when V_{CC} returns above the reset threshold. The active-low reset (\overline{RST}) is an open drain output.

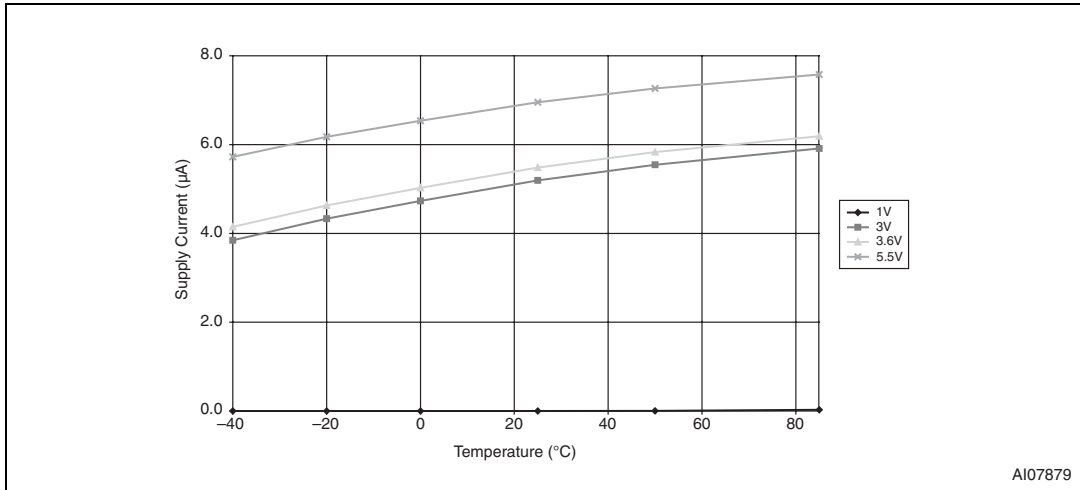
2.2 Negative-going V_{CC} transients

The STM1001 is relatively immune to negative-going V_{CC} transients (glitches). [Figure 10 on page 10](#) shows typical transient duration versus reset comparator overdrive (for which the STM1001 will NOT generate a reset pulse). The graph was generated using a negative pulse applied to V_{CC} , starting at 0.5 V above the actual reset threshold and ending below it by the magnitude indicated (comparator overdrive). The graph indicates the maximum pulse width a negative V_{CC} transient can have without causing a reset pulse. As the magnitude of the transient increases (further below the threshold), the maximum allowable pulse width decreases. Any combination of duration and overdrive which lies under the curve will NOT generate a reset signal. Typically, a V_{CC} transient that goes 100 mV below the reset threshold and lasts 20 μs or less will not cause a reset pulse. A 0.1 μF bypass capacitor mounted as close as possible to the V_{CC} pin provides additional transient immunity.

3 Typical operating characteristics

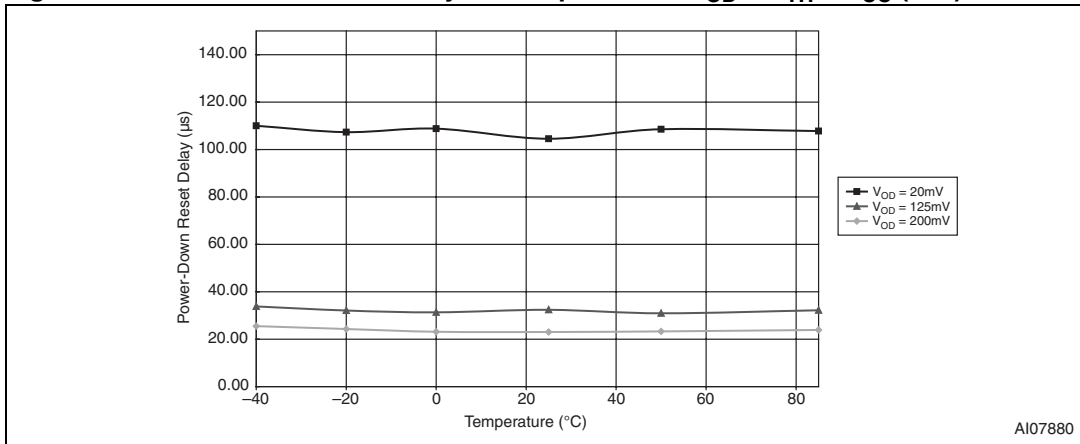
Note: Typical values are at $T_A = 25\text{ }^\circ\text{C}$, $V_{CC} = 5\text{ V}$ for L/M versions, $V_{CC} = 3.3\text{ V}$ for T/S versions, and $V_{CC} = 3.0\text{ V}$ for R versions.

Figure 5. Supply current vs. temperature, L/M/R/S/T (no load)



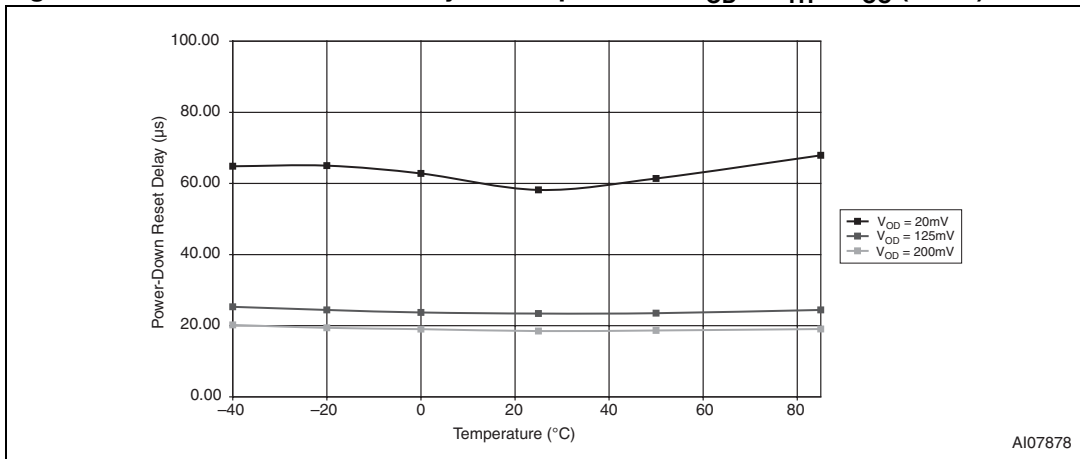
AI07879

Figure 6. Power-down reset delay vs. temperature - $V_{OD} = V_{TH} - V_{CC}$ (L/M)



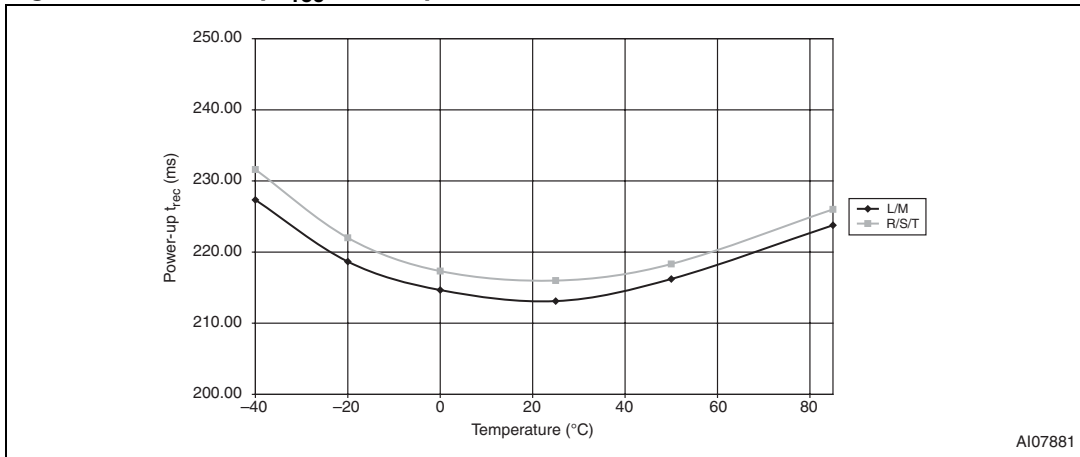
AI07880

Figure 7. Power-down reset delay vs. temperature - $V_{OD} = V_{TH} - V_{CC}$ (R/S/T)



AI07878

Figure 8. Power-up t_{rec} vs. temperature



AI07881

Note: Valid for $t_{rec} = 210\text{ ms}$ (typ).

Figure 9. Normalized reset threshold vs. temperature

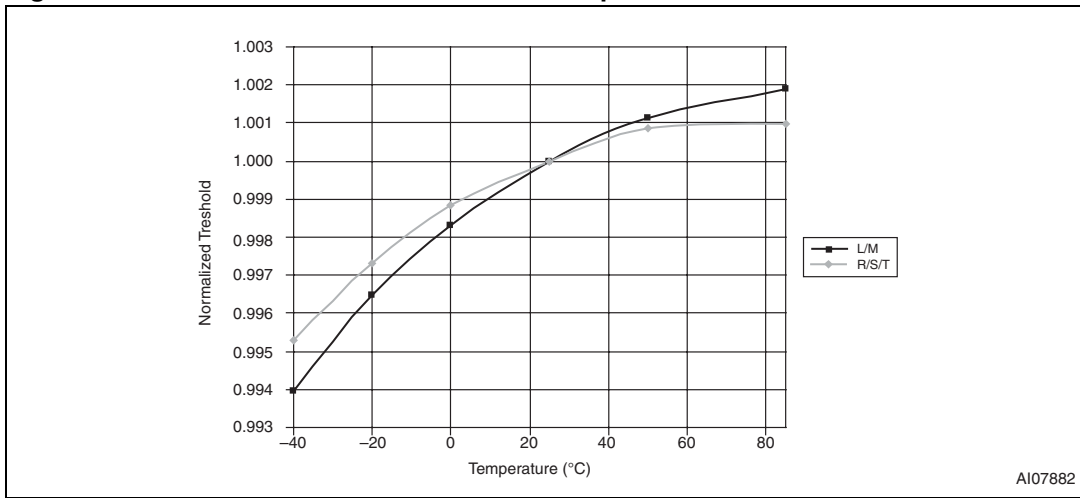
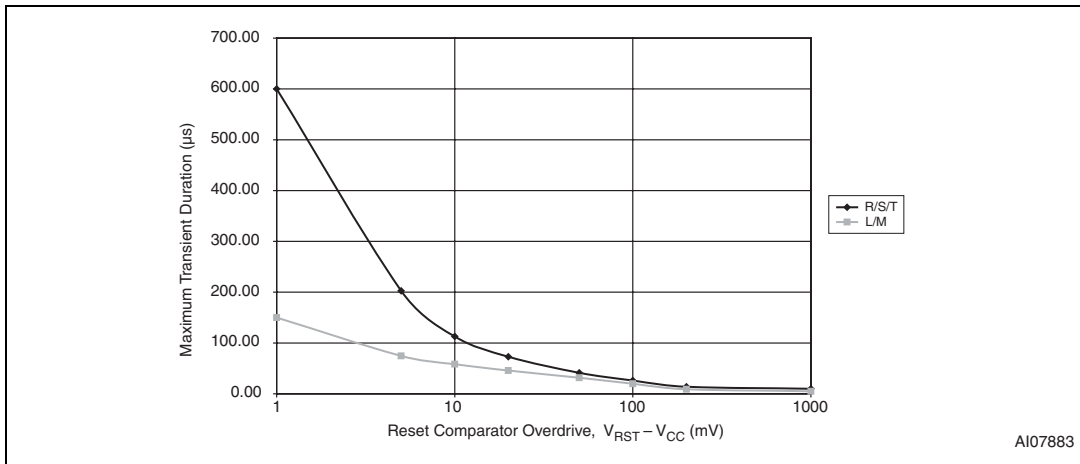


Figure 10. Max transient duration not causing reset pulse vs. reset comparator overdrive



4 Maximum ratings

Stressing the device above the rating listed in the absolute maximum ratings table may cause permanent damage to the device. These are stress ratings only and operation of the device at these or any other conditions above those indicated in the operating sections of this specification is not implied. Exposure to absolute maximum rating conditions for extended periods may affect device reliability. Refer also to the STMicroelectronics SURE Program and other relevant quality documents.

Table 2. Absolute maximum ratings

Symbol	Parameter	Value	Unit
T_{STG}	Storage temperature (V_{CC} off)	-55 to 150	°C
$T_{SLD}^{(1)}$	Lead solder temperature for 10 seconds	260	°C
V_{IO}	Input or output voltage	-0.3 to $V_{CC} + 0.3$	V
V_{CC}	Supply voltage	-0.3 to 7.0	V
I_O	Output current	20	mA
P_D	Power dissipation	320	mW

1. Reflow at peak temperature of 260 °C. The time above 255 °C must not exceed 30 seconds.

5 DC and AC parameters

This section summarizes the operating measurement conditions, and the DC and AC characteristics of the device. The parameters in the DC and AC characteristics tables that follow, are derived from tests performed under the measurement conditions summarized in [Table 3: Operating and AC measurement conditions](#). Designers should check that the operating conditions in their circuit match the operating conditions when relying on the quoted parameters.

Table 3. Operating and AC measurement conditions

Parameter	STM1001	Unit
V _{CC} supply voltage	1.0 to 5.5	V
Ambient operating temperature (T _A)	-40 to 85	°C
Input rise and fall times	≤ 5	ns
Input pulse voltages	0.2 to 0.8 V _{CC}	V
Input and output timing ref. voltages	0.3 to 0.7 V _{CC}	V

Figure 11. AC testing input/output waveforms

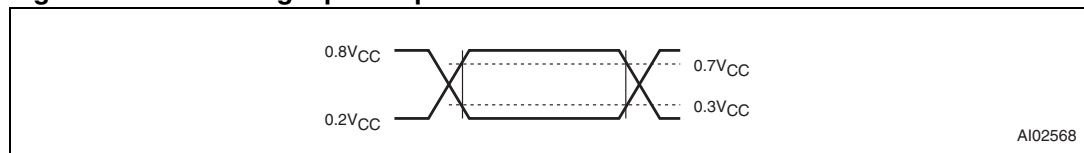


Table 4. DC and AC characteristics

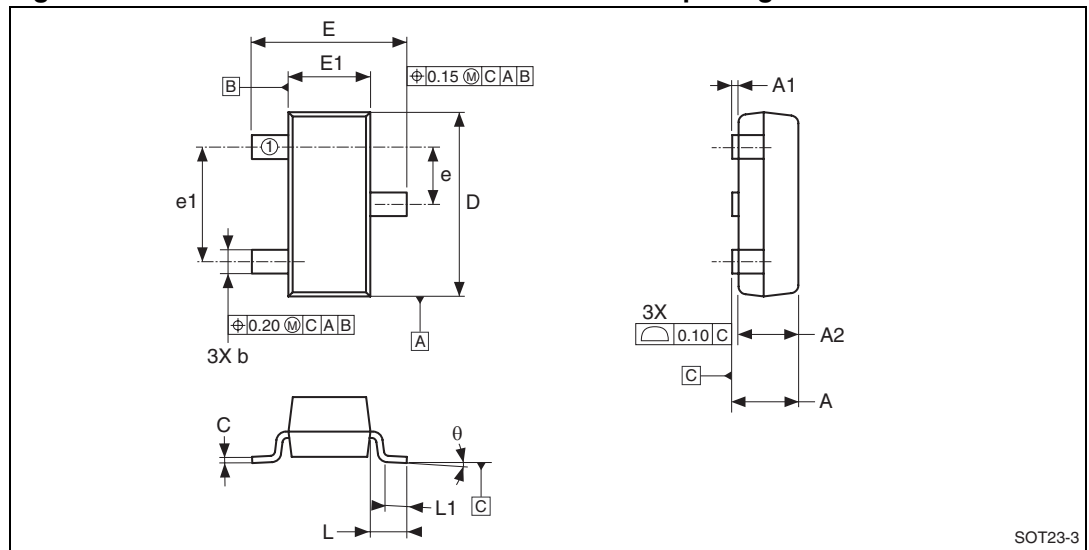
Sym	Description	Test condition ⁽¹⁾	Min	Typ	Max	Unit		
V _{CC}	Operating voltage	T _A = -40 to +85 °C	1.2		5.5	V		
		T _A = 0 to +70 °C	1.0		5.5	V		
I _{CC}	V _{CC} supply current	V _{CC} < 3.6 V		5.5	10	μA		
		V _{CC} < 5.5 V		7	15	μA		
I _{LO}	Open drain reset output leakage current	V _{CC} > V _{RST} Reset not asserted	-1		+1	μA		
V _{OL}	$\overline{\text{RST}}$ output low voltage	STM1001R/S/T only, I _{OL} = 1.2 mA V _{CC} = V _{RST} (min)			0.3	V		
		STM1001L/M only, I _{OL} = 3.2 mA V _{CC} = V _{RST} (min)			0.4	V		
V _{OL}	$\overline{\text{RST}}$ output low voltage	I _{OL} = 50 μA; V _{CC} > 1.0 V			0.3	V		
RESET thresholds								
V _{RST}	Reset threshold	STM1001L	25 °C	4.56	4.63	4.70	V	
			-40 to 85 °C	4.50		4.75	V	
		STM1001M	25 °C	4.31	4.38	4.45	V	
			-40 to 85 °C	4.25		4.50	V	
		STM1001T	25 °C	3.04	3.08	3.11	V	
			-40 to 85 °C	3.00		3.15	V	
		STM1001S	25 °C	2.89	2.93	2.96	V	
			-40 to 85 °C	2.85		3.00	V	
		STM1001R	25 °C	2.59	2.63	2.66	V	
			-40 to 85 °C	2.55		2.70	V	
			V _{RST} temperature coefficient	V _{CC} = 3.3 V		45		ppm/°C
			V _{CC} to $\overline{\text{RST}}$ delay	V _{CC} = V _{RST} to (V _{RST} - 100 mV)	STM1001L/M	40		μs
STM1001R/S/T	20				μs			
t _{rec}	$\overline{\text{RST}}$ pulse width	Option B (refer to Table 6)	20	30	40	ms		
		Option "Blank" (refer to Table 6)	140	210	280			

1. Valid for ambient operating temperature: T_A = -40 to 85 °C; V_{CC} = 1.2 V to 5.5 V (except where noted).

6 Package mechanical data

In order to meet environmental requirements, ST offers these devices in different grades of ECOPACK® packages, depending on their level of environmental compliance. ECOPACK® specifications, grade definitions and product status are available at: www.st.com. ECOPACK® is an ST trademark.

Figure 12. SOT23-3 – 3-lead small outline transistor package outline



Note: Drawing is not to scale.

Table 5. SOT23-3 – 3-lead small outline transistor package mechanical data

Symbol	mm			inches		
	Typ	Min	Max	Typ	Min	Max
A		0.89	1.12		0.035	0.044
A1		0.01	0.10		0.001	0.004
A2		0.88	1.02		0.035	0.042
b		0.30	0.50		0.012	0.020
C		0.08	0.20		0.003	0.008
D		2.80	3.04		0.110	0.120
E		2.10	2.64		0.083	0.104
E1		1.20	1.40		0.047	0.055
e		0.89	1.03		0.035	0.041
e1		1.78	2.05		0.070	0.081
L	0.54			0.021		
L1		0.40	0.60		0.016	0.024
Q		0°	8°		0°	8°
N		3			3	

7 Part numbering

Table 6. Ordering information scheme

Example:	STM1001	S	B	WX	6	F
Device type						
STM1001						
Reset threshold voltage						
L = $V_{RST} = 4.50\text{ V to }4.75\text{ V}$						
M = $V_{RST} = 4.25\text{ V to }4.50\text{ V}$						
T = $V_{RST} = 3.00\text{ V to }3.15\text{ V}$						
S = $V_{RST} = 2.85\text{ V to }3.00\text{ V}$						
R = $V_{RST} = 2.55\text{ V to }2.70\text{ V}$						
RST pulse width (t_{rec})						
B = 20 to 40 ms						
Blank = 140 to 280 ms						
Package						
WX = SOT23-3						
Temperature range						
6 = -40 to 85 °C						
Shipping method						
F = ECOPACK® package, tape & reel						

For other options, or for more information on any aspect of this device, please contact the ST sales office nearest you.

Table 7. Marking description

Part number	Reset threshold	Output	Topside marking ⁽¹⁾
STM1001LWX6F	4.63 V	Open drain $\overline{\text{RST}}$	8BAx
STM1001MWX6F	4.38 V	Open drain $\overline{\text{RST}}$	8BBx
STM1001TWX6F	3.08 V	Open drain $\overline{\text{RST}}$	8BCx
STM1001SWX6F	2.93 V	Open drain $\overline{\text{RST}}$	8BDx
STM1001RWX6F	2.63 V	Open drain $\overline{\text{RST}}$	8BEx
STM1001SBWX6F	2.93 V	Open drain $\overline{\text{RST}}$	8BMx

1. Lowercase "x" indicates date code.

8 Revision history

Table 8. Document revision history

Date	Revision	Changes
09-Dec-2003	1	First edition
19-Feb-2004	2	Part number changed from STM6301
22-Mar-2004	2.1	Update DC characteristics (Table 4)
09-Apr-2004	3	Device promoted; reformatted; marking updated (Table 7)
19-Nov-2004	4	Update dimensions (Table 5).
19-Sep-2005	5	Remove "Valid RST Output Down to V _{CC} ..." text
17-Feb-2010	6	Updated Features ; footnote in Table 2 ; Table 4 ; Table 6 ; Table 7 ; text in Section 6 ; added note to Figure 8 ; reformatted document.

Please Read Carefully:

Information in this document is provided solely in connection with ST products. STMicroelectronics NV and its subsidiaries ("ST") reserve the right to make changes, corrections, modifications or improvements, to this document, and the products and services described herein at any time, without notice.

All ST products are sold pursuant to ST's terms and conditions of sale.

Purchasers are solely responsible for the choice, selection and use of the ST products and services described herein, and ST assumes no liability whatsoever relating to the choice, selection or use of the ST products and services described herein.

No license, express or implied, by estoppel or otherwise, to any intellectual property rights is granted under this document. If any part of this document refers to any third party products or services it shall not be deemed a license grant by ST for the use of such third party products or services, or any intellectual property contained therein or considered as a warranty covering the use in any manner whatsoever of such third party products or services or any intellectual property contained therein.

UNLESS OTHERWISE SET FORTH IN ST'S TERMS AND CONDITIONS OF SALE ST DISCLAIMS ANY EXPRESS OR IMPLIED WARRANTY WITH RESPECT TO THE USE AND/OR SALE OF ST PRODUCTS INCLUDING WITHOUT LIMITATION IMPLIED WARRANTIES OF MERCHANTABILITY, FITNESS FOR A PARTICULAR PURPOSE (AND THEIR EQUIVALENTS UNDER THE LAWS OF ANY JURISDICTION), OR INFRINGEMENT OF ANY PATENT, COPYRIGHT OR OTHER INTELLECTUAL PROPERTY RIGHT.

UNLESS EXPRESSLY APPROVED IN WRITING BY AN AUTHORIZED ST REPRESENTATIVE, ST PRODUCTS ARE NOT RECOMMENDED, AUTHORIZED OR WARRANTED FOR USE IN MILITARY, AIR CRAFT, SPACE, LIFE SAVING, OR LIFE SUSTAINING APPLICATIONS, NOR IN PRODUCTS OR SYSTEMS WHERE FAILURE OR MALFUNCTION MAY RESULT IN PERSONAL INJURY, DEATH, OR SEVERE PROPERTY OR ENVIRONMENTAL DAMAGE. ST PRODUCTS WHICH ARE NOT SPECIFIED AS "AUTOMOTIVE GRADE" MAY ONLY BE USED IN AUTOMOTIVE APPLICATIONS AT USER'S OWN RISK.

Resale of ST products with provisions different from the statements and/or technical features set forth in this document shall immediately void any warranty granted by ST for the ST product or service described herein and shall not create or extend in any manner whatsoever, any liability of ST.

ST and the ST logo are trademarks or registered trademarks of ST in various countries.

Information in this document supersedes and replaces all information previously supplied.

The ST logo is a registered trademark of STMicroelectronics. All other names are the property of their respective owners.

© 2010 STMicroelectronics - All rights reserved

STMicroelectronics group of companies

Australia - Belgium - Brazil - Canada - China - Czech Republic - Finland - France - Germany - Hong Kong - India - Israel - Italy - Japan - Malaysia - Malta - Morocco - Philippines - Singapore - Spain - Sweden - Switzerland - United Kingdom - United States of America

www.st.com

Компания «Океан Электроники» предлагает заключение долгосрочных отношений при поставках импортных электронных компонентов на взаимовыгодных условиях!

Наши преимущества:

- Поставка оригинальных импортных электронных компонентов напрямую с производств Америки, Европы и Азии, а так же с крупнейших складов мира;
- Широкая линейка поставок активных и пассивных импортных электронных компонентов (более 30 млн. наименований);
- Поставка сложных, дефицитных, либо снятых с производства позиций;
- Оперативные сроки поставки под заказ (от 5 рабочих дней);
- Экспресс доставка в любую точку России;
- Помощь Конструкторского Отдела и консультации квалифицированных инженеров;
- Техническая поддержка проекта, помощь в подборе аналогов, поставка прототипов;
- Поставка электронных компонентов под контролем ВП;
- Система менеджмента качества сертифицирована по Международному стандарту ISO 9001;
- При необходимости вся продукция военного и аэрокосмического назначения проходит испытания и сертификацию в лаборатории (по согласованию с заказчиком);
- Поставка специализированных компонентов военного и аэрокосмического уровня качества (Xilinx, Altera, Analog Devices, Intersil, Interpoint, Microsemi, Actel, Aeroflex, Peregrine, VPT, Syfer, Eurofarad, Texas Instruments, MS Kennedy, Miteq, Cobham, E2V, MA-COM, Hittite, Mini-Circuits, General Dynamics и др.);

Компания «Океан Электроники» является официальным дистрибьютором и эксклюзивным представителем в России одного из крупнейших производителей разъемов военного и аэрокосмического назначения «JONHON», а так же официальным дистрибьютором и эксклюзивным представителем в России производителя высокотехнологичных и надежных решений для передачи СВЧ сигналов «FORSTAR».



JONHON

«JONHON» (основан в 1970 г.)

Разъемы специального, военного и аэрокосмического назначения:

(Применяются в военной, авиационной, аэрокосмической, морской, железнодорожной, горно- и нефтедобывающей отраслях промышленности)

«FORSTAR» (основан в 1998 г.)

ВЧ соединители, коаксиальные кабели, кабельные сборки и микроволновые компоненты:

(Применяются в телекоммуникациях гражданского и специального назначения, в средствах связи, РЛС, а так же военной, авиационной и аэрокосмической отраслях промышленности).



Телефон: 8 (812) 309-75-97 (многоканальный)

Факс: 8 (812) 320-03-32

Электронная почта: ocean@oceanchips.ru

Web: <http://oceanchips.ru/>

Адрес: 198099, г. Санкт-Петербург, ул. Калинина, д. 2, корп. 4, лит. А