

General Description

The MIC705, MIC706, MIC707, and MIC708 are inexpensive microprocessor supervisory circuit that monitors power supplies in microprocessor based systems. The circuit functions include a watchdog timer, microprocessor reset, backup battery switchover, power failure warning and a debounced manual reset input.

The MIC705 and MIC706 offer a watchdog timer function while the MIC707 and MIC708 have an active high reset output in addition to the active low reset output.

Supply voltage monitor levels of 4.65V and 4.4V are available. The MIC705 and MIC707 have a nominal reset threshold level of 4.65V while the MIC706 and MIC708 have a 4.4V nominal threshold level. When the supply voltage drops below the respective reset threshold level, /RESET is asserted.

Features

- Debounced manual reset input is TTL/CMOS Compatible
- Watchdog timer, 1.6s (MIC705/706)
- 4.65V or 4.40V Precision Voltage Monitor
- Early power fail warning or low battery detect

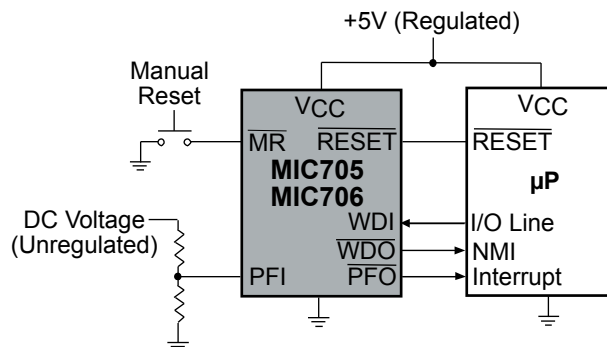
Applications

- Automotive systems
- Intelligent systems
- Critical microprocessor power monitoring
- Battery powered computers
- Computers
- Controllers

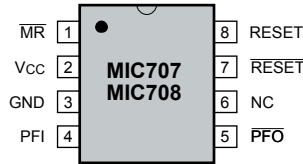
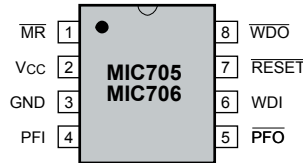
Ordering Information

Part Number		Temperature Range	Package
Standard	Pb-Free		
MIC70_N	MIC70_NY	-40°C to +85°C	8-Pin PDIP
MIC70_M	MIC70_MY	-40°C to +85°C	8-Pin SOIC

Typical Application



Pin Configuration



8-Pin PDIP Package
8-Pin SOIC Package

Pin Description

Pin Number MIC705/06	Pin Number MIC707/08	Pin Name	Pin Function
1	1	/MR	Manual Reset Input forces /RESET to assert when pulled below 0.8V. An internal pull-up current of 250μA on this input forces it high when left floating. this input can also be driven from TTL or CMOS logic.
2	2	V _{CC}	Primary supply input, +5V
3	3	GND	IC ground pin, 0V reference
4	4	PFI	Power Fail Input. Internally connected to the power fail comparator which is referenced to 1.25V. The Power Fail Output (/PFO) remains high if PFI is above 1.25V. PFI should be connected to GND or V _{OUT} if the power fail comparator is not used.
5	5	/PFO	Power Fail Output. The power fail comparator is independent of all other function on this device.
6	N/A	WDI	Watch Dog Input. The WDI input monitors microprocessor activity, an internal watchdog timer resets itself with each transition on the watchdog input. If the WDI pin is held high or low for longer than the watchdog timeout period, /WDO is forced to active low. the watchdog function can be disabled by floating the WDI pin.
N/A	6	N/C	Not Internally Connected
7	7	/RESET	/RESET is asserted if either V _{CC} goes below the reset threshold voltage or by low signal on the manual reset input (/MR). /RESET remains asserted for one reset timeout period (200ms) after V _{CC} exceeds the reset threshold voltage or after the manual reset pin transition from low to high. The watchdog timer will not assert /RESET unless /WDO is connected to /MR
8	N/A	/WDO	Output for the Watchdog Timer. The watchdog timer resets itself with each transition o the watchdog input. If the WDI pin is held high or low for longer than the watchdog timeout period, /WDO is forced low. /WDO will also be forced low id V _{CC} is below the reset threshold voltage and will remain low until V _{CC} returns to a valid level.
N/A	8	RESET	RESET is the compliment of /RESET and is asserted if either V _{CC} goes below the reset threshold voltage or by a low signal on the manual reset input (/MR). RESET is suitable for microprocessor systems that use active high reset.

Absolute Maximum Ratings⁽¹⁾

Terminal Voltage	
V_{CC}	-0.3V to +6.0V
All other inputs	-0.3V to ($V_{OUT} + 0.3V$)
Input Current	
V_{CC} , Gnd	25mA
Output Current (all outputs)	20mA
Lead Temperature (soldering, 10 sec.)	300°C
Storage Temperature	-65°C to +150°C

Operating Ratings⁽²⁾

Operating Temperature Range	
MIC70_N	-40°C to +85°C
MIC70_M	-40°C to +85°C
Power Dissipation (PDIP)	475mW
Power Dissipation (SOP)	400mW

Electrical Characteristics⁽³⁾

$V_{CC} = 4.75V$ to $5.5V$ for MIC705/07; $V_{CC} = 4.5V$ to $5.5V$ for MIC706/08; T_A = Operating Temperature Range, **bold** values indicate $-40^\circ C \leq T_A \leq +85^\circ C$; unless noted

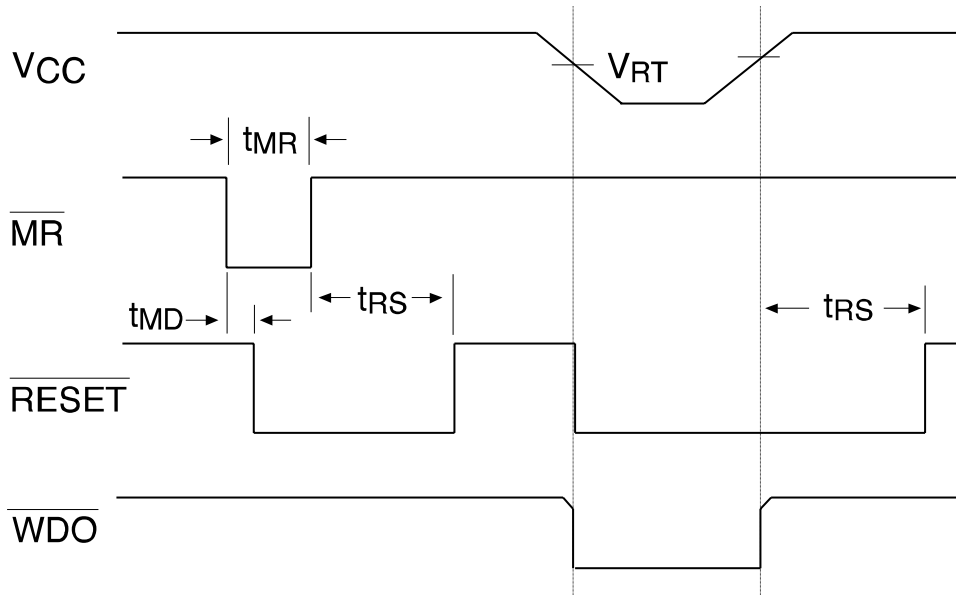
Parameter	Conditions	Min.	Typ.	Max	Units
Operating Voltage Range, V_{CC}	MIC70_	1.4		5.5	V
Supply Current	MIC70_			60	μA
Reset Voltage Threshold	MIC705, MIC707 MIC706, MIC708	4.50 4.25	4.65 4.4	4.75 4.5	V V
Reset Threshold Hysteresis			40		mV
Reset Pulse Width, t_{RS}		140	200	280	ms
/RESET Output Voltage	$I_{Source} = 80\mu A$ $I_{Sink} = 3.2mA$ MIC70_C, $I_{Sink} = 50\mu A$, $V_{CC} = 1.4V$	$V_{CC} - 1.5V$		0.4 0.3	V V V
RESET Output Voltage	$I_{Source} = 80\mu A$ $I_{Sink} = 3.2mA$	$V_{CC} - 1.5V$		0.4	V V
Watchdog Timeout Period, t_{WD}		1.0	1.6	2.25	sec
WDI Minimum Input Pulse, t_{WP}	$V_{IL} = 0.4V$, $V_{IH} = 80\%$ of V_{CC}	50			ns
WDI Threshold Voltage	V_{IH} , $V_{CC} = 5V$ V_{IL} , $V_{CC} = 5V$	3.5		0.8	V V
WDI Input Current	WDI = 0V WDI = V_{CC}	-150	-50 50	150	μA μA
WDO Output Voltage	$I_{Source} = 800\mu A$ $I_{Sink} = 1.2mA$	$V_{CC} - 1.5V$		0.4	V V
/MR Pull-Up Current	/MR = 0V	100	250	600	μA
/MR Pulse Width, t_{MR}		150			ns
/MR Input Threshold	V_{IL} V_{IH}	2.0		0.8	V V
/MR to Reset Output Delay, t_{MD}				250	ns
PFI Input Threshold	$V_{CC} = 5V$	1.2	1.25	1.3	V
PFI Input Current		-25	0.01	+25	nA
/PFO Output Voltage	$I_{Sink} = 3.2mA$ $V_{CC} = 5V$, $I_{Source} = 800\mu A$	$V_{CC} - 1.5V$		0.4	V V

Note 1. Exceeding the absolute maximum rating may damage the device.

Note 2. The device is not guaranteed to function outside its operating rating.

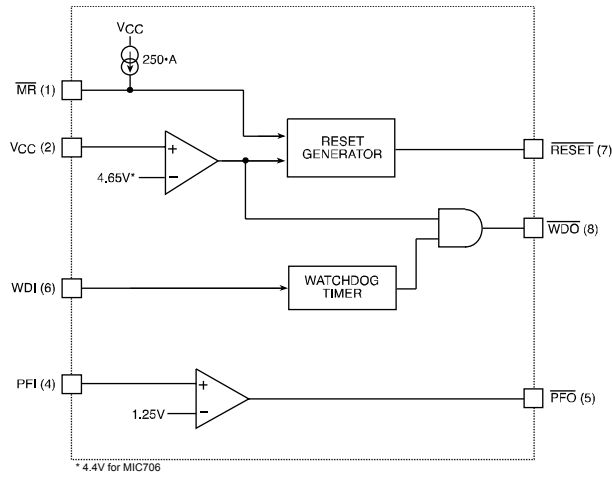
Note 3. Specification for packaged product only.

Timing Diagram

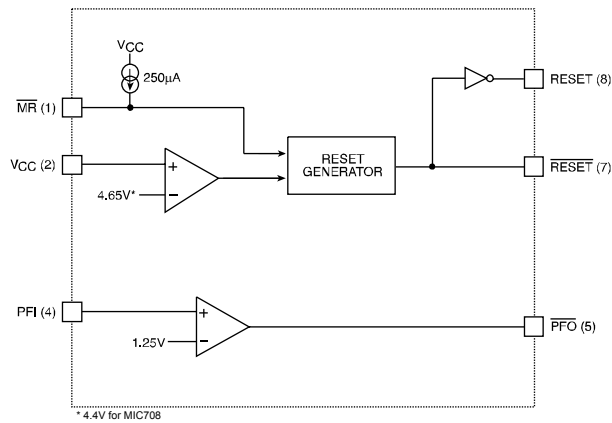


Timing Diagram for Reset

Block Diagrams



MIC705/MIC706 Block diagram



MIC707/MIC708 Block diagram

Applications Information

Battery Switchover Section

The MIC691/693 monitors the supply voltage applied to the V_{CC} pin. Whenever V_{CC} falls below the reset threshold voltage and V_{BATT} , the device enters battery-backup mode. When this happens, the auxiliary supply on V_{BATT} is routed through a low impedance PMOS switch to the V_{OUT} pin. The V_{OUT} pin is capable of sourcing up to 25mA when in the backup mode. V_{CC} is routed to V_{OUT} through a large PMOS switch during normal operation ($V_{CC} > V_{BATT}$) and can source continuous currents of up to 250mA. V_{OUT} can be used to drive CMOS RAM. The BATT ON Pin can be used to indicate the status of battery backup mode or as the base drive for an external pass transistor when V_{OUT} has to source more than 25mA in battery-backup mode. V_{CC} is connected to V_{OUT} and the substrate whenever V_{CC} exceeds the reset threshold. If V_{BATT} is connected to a voltage source that is greater than 0.6V above V_{CC} , the parasitic diode of the V_{BATT} switch will conduct from the V_{BATT} to the substrate.

Microprocessor Reset

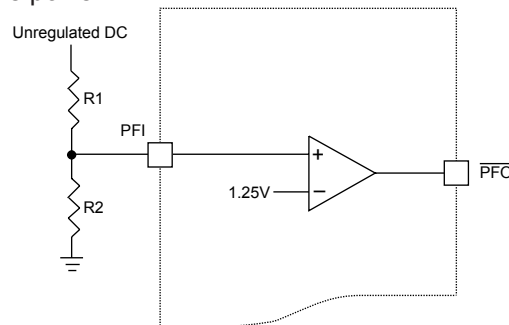
The $/RESET$ pin is asserted whenever V_{CC} falls below the reset threshold voltage. The reset pin remains asserted for a period of 200ms after V_{CC} has risen above the reset threshold voltage. The reset timeout period can also be selected by the end user, see Table 1. The reset function ensures the microprocessor is properly reset and powers up into a known condition after a power failure. $/RESET$ will remain valid with V_{CC} as low as 1.4V and when auxiliary power is connected to V_{BATT} ($V_{BATT} > 2.0V$), the reset pin will remain valid with V_{CC} from 0V to 5.5V.

Chip Enable Gating

The MIC691/693 also include memory protection circuitry which inhibits the writing of memory during a power fail condition. During normal operation, chip enable transitions are gated through a series transmission gate from $/CE IN$ to $/CE OUT$. The typical propagation delay through the chip enable gating circuitry is 2ns. $/CE OUT$ follows $/CE IN$ unless V_{CC} drops below the reset threshold voltage, at which time $/CE OUT$ will remain high until V_{CC} returns to a valid level. EEPROMs can be write protected in a similar manner by connecting the $/CE OUT$ pin to the store or write input.

Power Fail Warning

An additional comparator which is independent of the other functions on the MIC691/693 is provided for early warning of power failure. An external voltage divider can be used to compare unregulated DC to an internal 1.25V reference. The voltage divider ratio on the input of the power-fail comparator (PFI) can be chosen so as to trip the power fail comparator a few milliseconds before V_{CC} falls below the maximum reset threshold voltage. The output of the power-fail comparator ($/PFO$) can be used to interrupt the microprocessor when used in this mode and execute shut-down procedures prior to power loss. Hysteresis can be added to this comparator with external resistors, as is commonly done with any comparator. When $V_{CC} < V_{BATT} - 1.2V$ (typ.), the power-fail comparator is turned off and $/PFO$ is pulled low in order to conserve power.

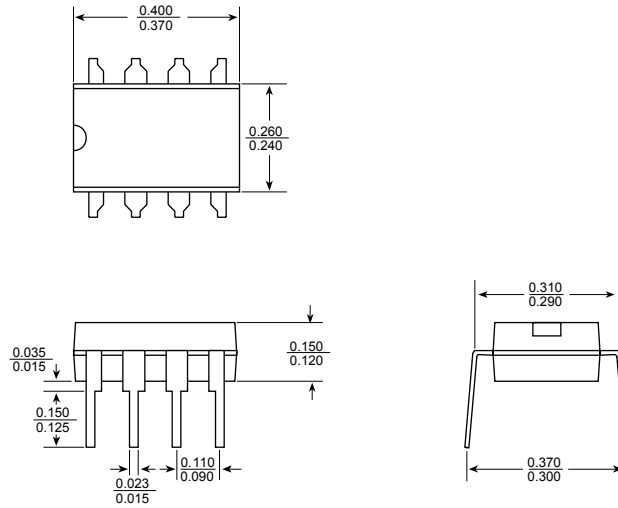


Power Fail Comparator

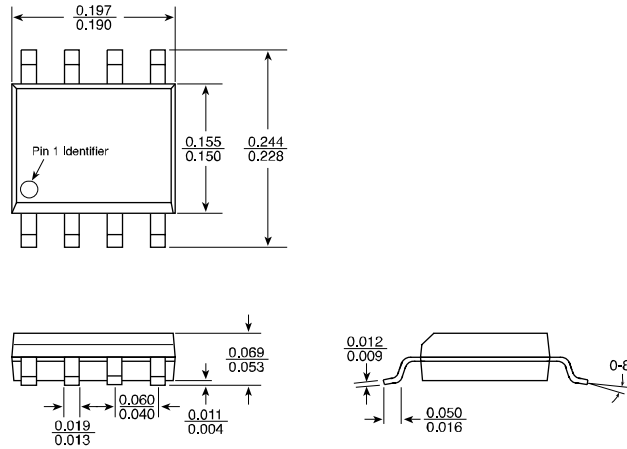
Watchdog Timer

The microprocessor can be monitored by connecting the WDI pin (watchdog input) to a bus line or an I/O line. If a transition doesn't occur on the WDI pin within the watchdog timeout (Table 1.), the microprocessor is reset. $/RESET$ will remain asserted for 200ms when this occurs. A minimum pulse of 100ns or any transition low-to-high or high-to-low on the WDI pin will reset the watchdog timer. The output of the watchdog timer (WDO) will remain high, if WDI sees a valid transition within the watchdog period or if V_{CC} falls below the reset threshold as the watchdog timer is disabled when this happens.

Package Information



8-Pin PDIP (N)



8-Pin SOIC (M)

MICREL INC. 2180 FORTUNE DRIVE SAN JOSE, CA 95131 USA
 TEL + 1 (408) 944-0800 FAX + 1 (408) 474-1000 WEB <http://www.micrel.com>

This information furnished by Micrel in this data sheet is believed to be accurate and reliable. However no responsibility is assumed by Micrel for its use. Micrel reserves the right to change circuitry and specifications at any time without notification to the customer.

Micrel Products are not designed or authorized for use as components in life support appliances, devices or systems where malfunction of a product can reasonably be expected to result in personal injury. Life support devices or systems are devices or systems that (a) are intended for surgical implant into the body or (b) support or sustain life, and whose failure to perform can be reasonably expected to result in a significant injury to the user. A Purchaser's use or sale of Micrel Products for use in life support appliances, devices or systems is a Purchaser's own risk and Purchaser agrees to fully indemnify Micrel for any damages resulting from such use or sale.

Компания «Океан Электроники» предлагает заключение долгосрочных отношений при поставках импортных электронных компонентов на взаимовыгодных условиях!

Наши преимущества:

- Поставка оригинальных импортных электронных компонентов напрямую с производств Америки, Европы и Азии, а так же с крупнейших складов мира;
- Широкая линейка поставок активных и пассивных импортных электронных компонентов (более 30 млн. наименований);
- Поставка сложных, дефицитных, либо снятых с производства позиций;
- Оперативные сроки поставки под заказ (от 5 рабочих дней);
- Экспресс доставка в любую точку России;
- Помощь Конструкторского Отдела и консультации квалифицированных инженеров;
- Техническая поддержка проекта, помощь в подборе аналогов, поставка прототипов;
- Поставка электронных компонентов под контролем ВП;
- Система менеджмента качества сертифицирована по Международному стандарту ISO 9001;
- При необходимости вся продукция военного и аэрокосмического назначения проходит испытания и сертификацию в лаборатории (по согласованию с заказчиком);
- Поставка специализированных компонентов военного и аэрокосмического уровня качества (Xilinx, Altera, Analog Devices, Intersil, Interpoint, Microsemi, Actel, Aeroflex, Peregrine, VPT, Syfer, Eurofarad, Texas Instruments, MS Kennedy, Miteq, Cobham, E2V, MA-COM, Hittite, Mini-Circuits, General Dynamics и др.);

Компания «Океан Электроники» является официальным дистрибьютором и эксклюзивным представителем в России одного из крупнейших производителей разъемов военного и аэрокосмического назначения «JONHON», а так же официальным дистрибьютором и эксклюзивным представителем в России производителя высокотехнологичных и надежных решений для передачи СВЧ сигналов «FORSTAR».



JONHON

«JONHON» (основан в 1970 г.)

Разъемы специального, военного и аэрокосмического назначения:

(Применяются в военной, авиационной, аэрокосмической, морской, железнодорожной, горно- и нефтедобывающей отраслях промышленности)

«FORSTAR» (основан в 1998 г.)

ВЧ соединители, коаксиальные кабели, кабельные сборки и микроволновые компоненты:

(Применяются в телекоммуникациях гражданского и специального назначения, в средствах связи, РЛС, а так же военной, авиационной и аэрокосмической отраслях промышленности).



Телефон: 8 (812) 309-75-97 (многоканальный)

Факс: 8 (812) 320-03-32

Электронная почта: ocean@oceanchips.ru

Web: <http://oceanchips.ru/>

Адрес: 198099, г. Санкт-Петербург, ул. Калинина, д. 2, корп. 4, лит. А